

**MOTOR CONTROL CIRCUIT****AM6651B****General Description**

The AM6651B is a monolithic integrated circuit that provides motor speed control, reverse voltage protection, and stable reference voltage. This IC is specially designed for tape recorder and recorder player.

The AM6651B is available in plastic TO-126B package.

Features

- Small 4-lead Plastic Package for Compact Motor
- Few External Components
- Stable Low Reference Voltage (1.0V, Typ)
- Wide Motor Speed Control
- Highly Stable Operation over a Wide Range of Supply Voltage, $V_{CC}=3.5V$ to 14.4V
- Reverse Voltage Protection Circuit Built-in

Applications

- Tape Recorder
- Recorder Player

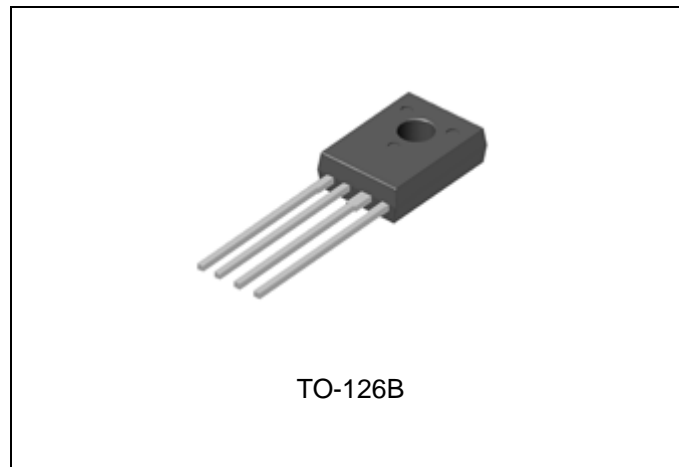


Figure 1. Package Type of AM6651B



MOTOR CONTROL CIRCUIT

AM6651B

Pin Configuration

U Package
(TO-126B)

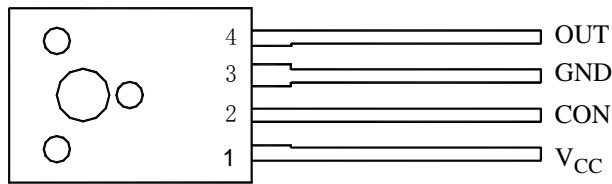


Figure 2. Pin Configuration of AM6651B (Top View)

Pin Description

Pin Number	Pin Name	Function
1	V _{CC}	Supply voltage
2	CON	Control pin
3	GND	Ground
4	OUT	Output



MOTOR CONTROL CIRCUIT

AM6651B

Functional Block Diagram

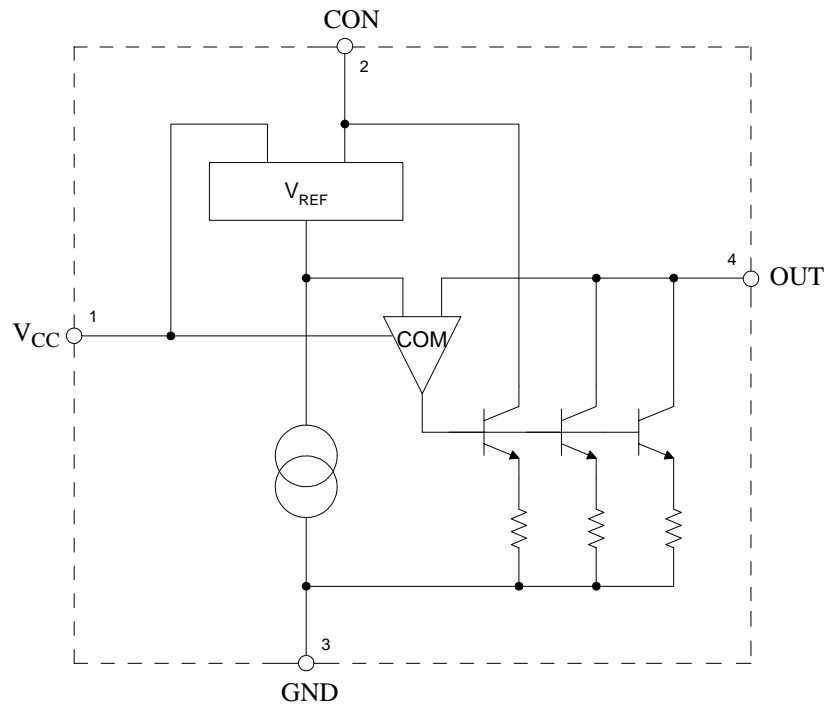
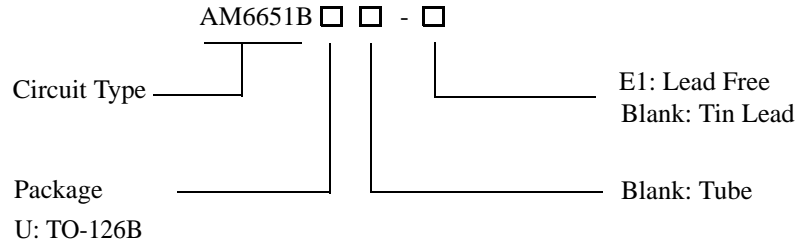


Figure 3. Functional Block Diagram of AM6651B



MOTOR CONTROL CIRCUIT **AM6651B**

Ordering Information



Package	Temperature Range	Part Number		Marking ID		Packing Type
		Tin Lead	Lead Free	Tin Lead	Lead Free	
TO-126B	0 to 70 °C	AM6651BU	AM6651BU-E1	AM6651BU	AM6651BU-E1	Tube

BCD Semiconductor's Pb-free products, as designated with "E1" suffix in the part number, are RoHS compliant.

Absolute Maximum Ratings (Note 1)

Parameter	Symbol	Value	Unit
Supply Voltage	V_{CC}	16	V
Supply Current	I_{CC}	500 (Note 2)	mA
Power Dissipation	P_D	1300	mW
Storage Temperature Range	T_{STG}	-40 to 150	°C

Note 1: Stresses greater than those listed under "Absolute Maximum Ratings" may cause permanent damage to the device. These are stress ratings only, and functional operation of the device at these or any other conditions beyond those indicated under "Recommended Operating Conditions" is not implied. Exposure to "Absolute Maximum Ratings" for extended periods may affect device reliability.

Note 2: The transient startup/shutdown current is allowed to exceed 1.0A.

Recommended Operating Conditions

Parameter	Symbol	Min	Max	Unit
Supply Voltage	V_{CC}	3.5	14.4	V
Operating Temperature	T_A	0	70	°C

**MOTOR CONTROL CIRCUIT****AM6651B****Electrical Characteristics**(V_{CC}=6V, T_A=25°C, unless otherwise specified.)

Parameter	Symbol	Conditions	Min	Typ	Max	Unit
Reference Voltage	V _{REF}	V _{CC} =6V, R _A =1kΩ (Figure 6)	0.90	1.0	1.10	V
Bias Current	I _{BIAS}	V _{CC} =6V (Figure 5)		0.9	1.8	mA
Current Coefficient	K	V _{CC} =6V, ΔI ₄ =40mA (Figure 4) (Note 3)	35		45	
Saturation Voltage	V _{SAT}	V _{CC} =4.2V, R _A =5Ω		1.06	2	V
Voltage Characteristic of Reference Voltage	(ΔV _{REF} /V _{REF})/ΔV _{CC}	V _{CC} =3.5 to 14V, R _A =1kΩ		-0.02		%/V
Voltage Characteristic of Current Coefficient	(ΔK/K)/ΔV _{CC}	V _{CC} =3.5 to 14V, ΔI ₄ =40mA		0.39		%/V
Current Characteristic of Reference Voltage	(ΔV _{REF} /V _{REF})/ΔI ₄	I ₄ =50 to 200mA		-0.06		%/mA
Current Characteristic of Current Coefficient	(ΔK/K)/ΔI ₄	I ₄ =50 to 200mA		-0.01		%/mA
Temperature Characteristic of Reference Voltage	(ΔV _{REF} /V _{REF})/ΔT _A	V _{CC} =6V, R _A =1kΩ T _A =0 to 70 °C		0.01		%/ °C
Temperature Characteristic of Current Coefficient	(ΔK/K)/ΔT _A	V _{CC} =6V, ΔI ₄ =40mA T _A =0 to 70 °C		0.01		%/ °C

Note 3: I₄ is the motor driver current, please see Figures 4 and 5.



MOTOR CONTROL CIRCUIT

AM6651B

Test Circuits

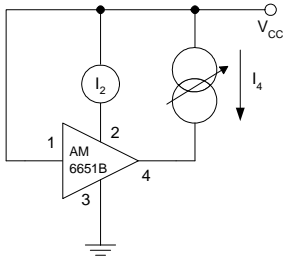


Figure 4. Test Circuit 1 ($K = \Delta I_4 / \Delta I_2$)

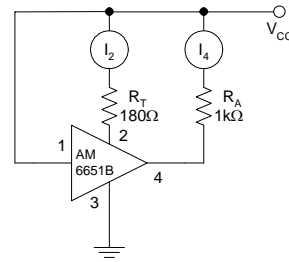


Figure 5. Test Circuit 2 ($I_{BIAS} = I_2 - I_4 / K$)

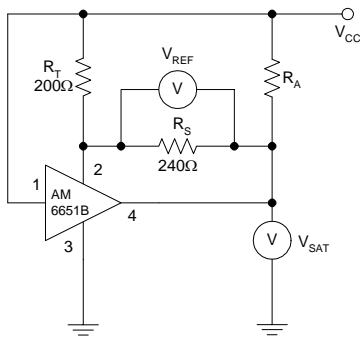


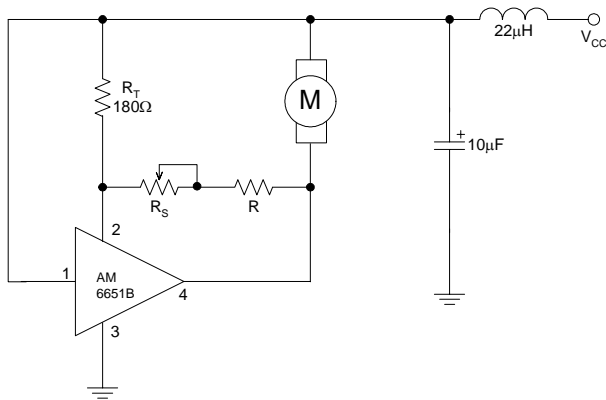
Figure 6. Test Circuit 3



MOTOR CONTROL CIRCUIT

AM6651B

Typical Application



Motor (6V DC Motor) constants
 K_A : Electromotive force constant
= 1.1mV/rpm
 R_A : Internal resistor = 5Ω
 K_T : Torque constant = 100g.cm/A

Figure 7. Typical Application of AM6651B



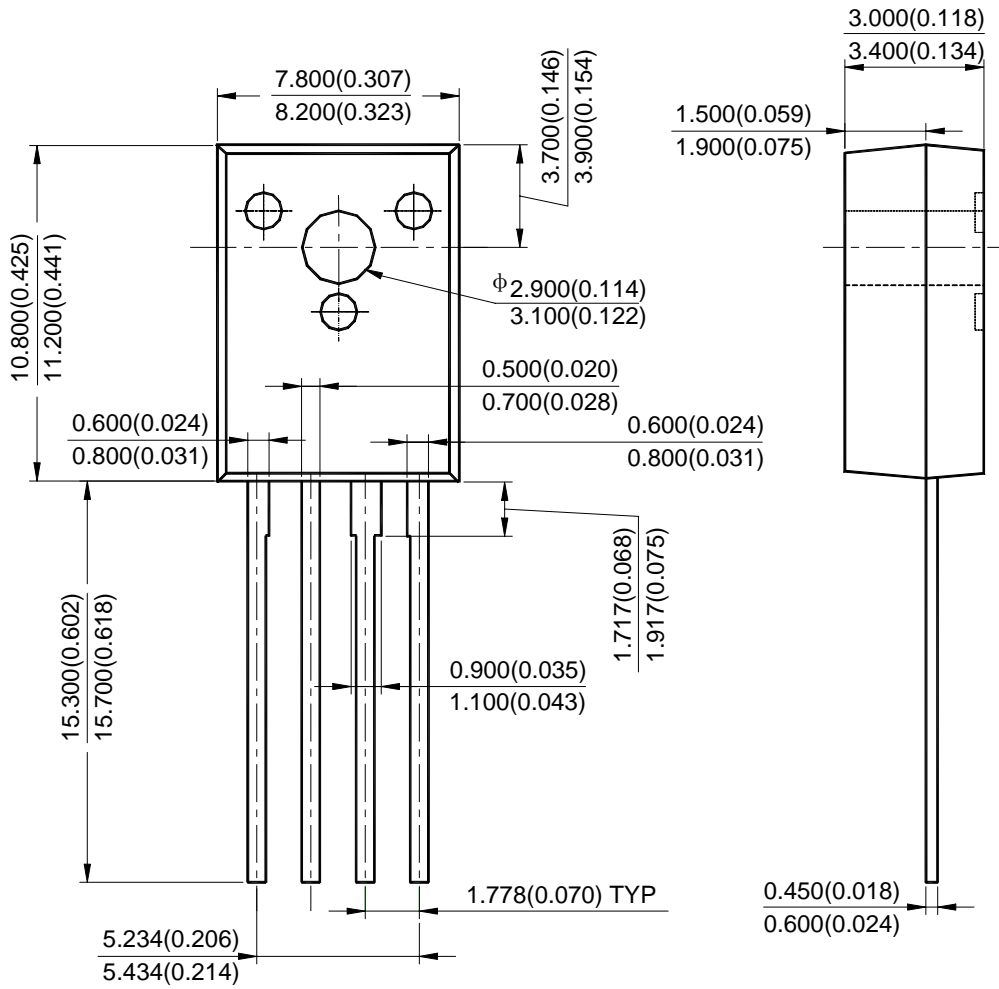
MOTOR CONTROL CIRCUIT

AM6651B

Mechanical Dimensions

TO-126B

Unit: mm(inch)





BCD Semiconductor Manufacturing Limited

<http://www.bcdsemi.com>

IMPORTANT NOTICE

BCD Semiconductor Manufacturing Limited reserves the right to make changes without further notice to any products or specifications herein. BCD Semiconductor Manufacturing Limited does not assume any responsibility for use of any its products for any particular purpose, nor does BCD Semiconductor Manufacturing Limited assume any liability arising out of the application or use of any its products or circuits. BCD Semiconductor Manufacturing Limited does not convey any license under its patent rights or other rights nor the rights of others.

MAIN SITE

BCD Semiconductor Manufacturing Limited
- Wafer Fab
Shanghai SIM-BCD Semiconductor Manufacturing Limited
800, Yi Shan Road, Shanghai 200233, China
Tel: +86-21-6485 1491, Fax: +86-21-5450 0008

BCD Semiconductor Manufacturing Limited
- IC Design Group
Advanced Analog Circuits (Shanghai) Corporation
8F, Zone B, 900, Yi Shan Road, Shanghai 200233, China
Tel: +86-21-6495 9539, Fax: +86-21-6485 9673

REGIONAL SALES OFFICE

Shenzhen Office
Shanghai SIM-BCD Semiconductor Manufacturing Co., Ltd. Shenzhen Office
Advanced Analog Circuits (Shanghai) Corporation Shenzhen Office
Room E, 5F, Noble Center, No.1006, 3rd Fuzhong Road, Futian District, Shenzhen 518026, China
Tel: +86-755-8826 7951
Fax: +86-755-8826 7865

Taiwan Office
BCD Semiconductor (Taiwan) Company Limited
4F, 298-1, Rui Guang Road, Nei-Hu District, Taipei,
Taiwan
Tel: +886-2-2656 2808
Fax: +886-2-2656 2806

USA Office
BCD Semiconductor Corporation
30920 Huntwood Ave. Hayward,
CA 94544, U.S.A
Tel : +1-510-324-2988
Fax: +1-510-324-2788