
HA12232FP

Audio Signal Pre-Amp. for Car Deck

HITACHI

ADE-207-328 (Z)

Target Specifications
1st Edition
Sep. 2000

Description

HA12232FP is audio signal pre-amp. LSI providing PB equalizer op-amp. in one chip.

Function

- PB equalizer × 2 channel
- Vref buffer × 1 channel

Features

- Built-in referential voltage (VREF) for PB equalizer decreases external components.
- This IC is low noise.
- This IC is strong for a cellular phone noise.

Operating Voltage Range

Product	Min	Max	Unit
HA12232FP	6.5	15	V

Note: This IC is designed to operate on single supply.

HA12232FP

Pin Description, Equivalent Circuit ($V_{CC} = 9\text{ V}$ single supply, $T_a = 25^\circ\text{C}$, No Signal, The value in the table shows typical value.)

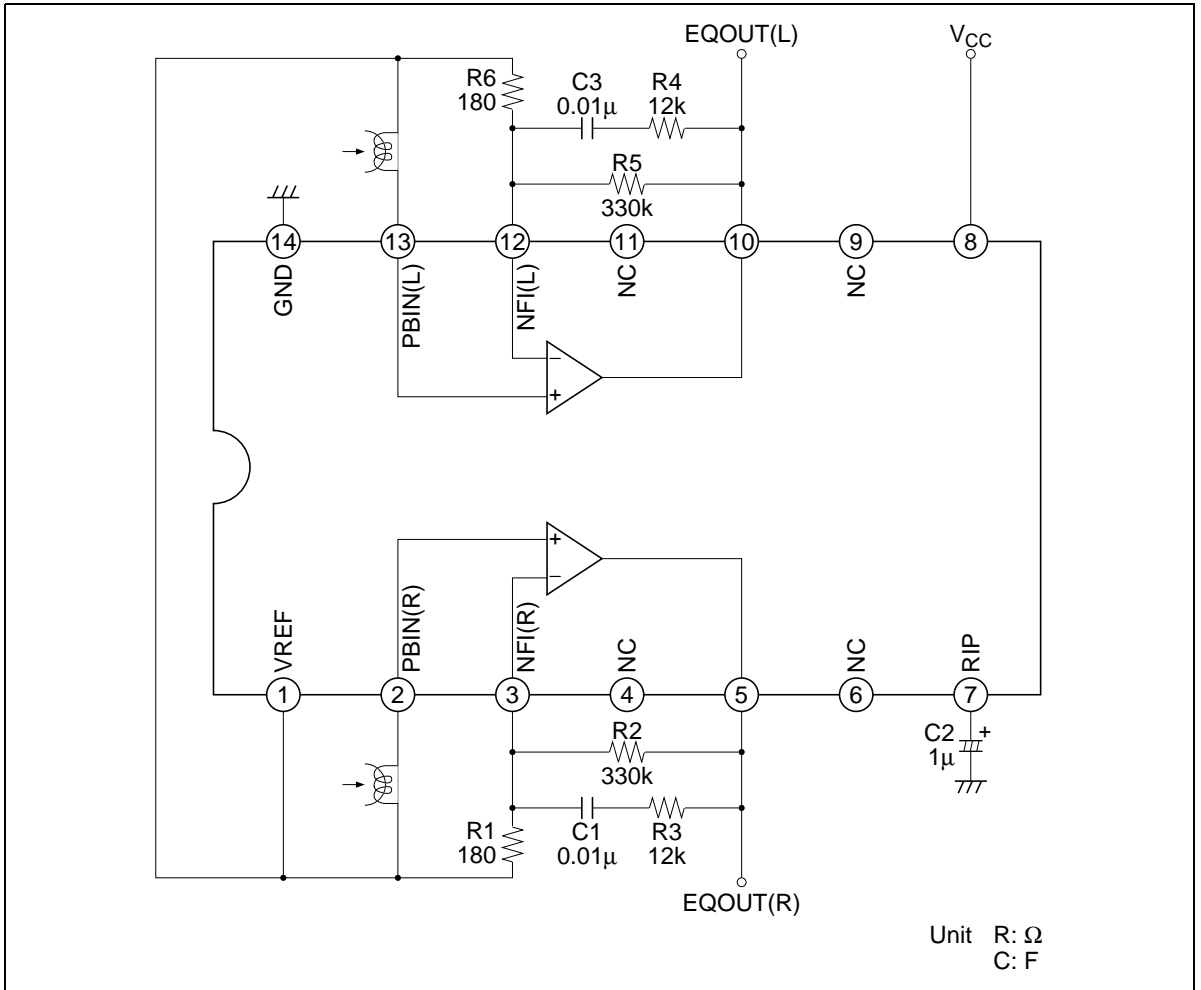
Pin No.	Pin Name	Note	Equivalent Circuit	Description
7	RIP	$V = V_{CC}/2$		Ripple filter
1	VREF	$V = V_{CC}/2$		Reference output
10	EQOUT(L)	$V = V_{CC}/2$		Equalizer output
5	EQOUT(R)			
2	PBIN(R)	—		PB equalizer input
13	PBIN(L)			
3	NFI(R)	$V = V_{CC}/2$		Equalizer output
12	NFI(L)			for time constant

Pin Description, Equivalent Circuit ($V_{CC} = 9\text{ V}$ single supply, $T_a = 25^\circ\text{C}$, No Signal, The value in the table shows typical value.) (cont.)

Pin No.	Pin Name	Note	Equivalent Circuit	Description
8	V_{CC}	—		Power supply
14	GND	—		GND pin
4	NC	—		
6				
9				
11				

HA12232FP

Block Diagram



Absolute Maximum Ratings (Ta = 25°C)

Item	Symbol	Rating	Unit	Note
Supply voltage	V _{cc} Max	16	V	
Power dissipation	Pd	400	mW	Ta ≤ 85°C
Operating temperature	Topr	-40 to +85	°C	
Storage temperature	Tstg	-55 to +125	°C	

Electrical Characteristics (Ta = 25°C, V_{cc} = 9 V, Rg = 680 Ω)

Item	Symbol	Test Condition	Specification			Unit	Remark
			Min	Typ	Max		
Quiescent current	I _Q	No signal	1.5	2.2	3.2	mA	
Channel separation	CT RL	Fin = 1kHz, Vin = 6mVrms	50.0	60.0	—	dB	
EQ gain	G _v 1k	Fin = 1kHz, Vin = 0.6mVrms	37.0	40.0	43.0	dB	
	G _v 10k	Fin = 10kHz, Vin = 0.6mVrms	33.0	36.0	39.0	dB	
THD	THD	Fin = 1kHz, Vin = 2.4mVrms	—	0.1	0.5	%	
EQ maximum output	V _{OM}	Fin = 1kHz, THD = 1%	300	600	—	mVrms	*1
Noise voltage level converted in input	VN	Rg = 680Ω, Din-Audio Filter	—	0.7	1.5	μVrms	

Note: 1. V_{cc} = 6.5 V

HA12232FP

Functional Description

Power Supply Range

HA12232FP is designed to operate on single supply only.

Table 1 **Supply Voltage Range**

Product	Single Supply
HA12232FP	6.5 V to 15.0 V

Reference Voltage

HA12232FP provides the reference voltage of half the supply voltage that is the signal grounds. As the peculiarity of this device, the capacitor for the ripple filter is very small about 1/100 compared with their usual value. The block diagram is shown as figure 1.

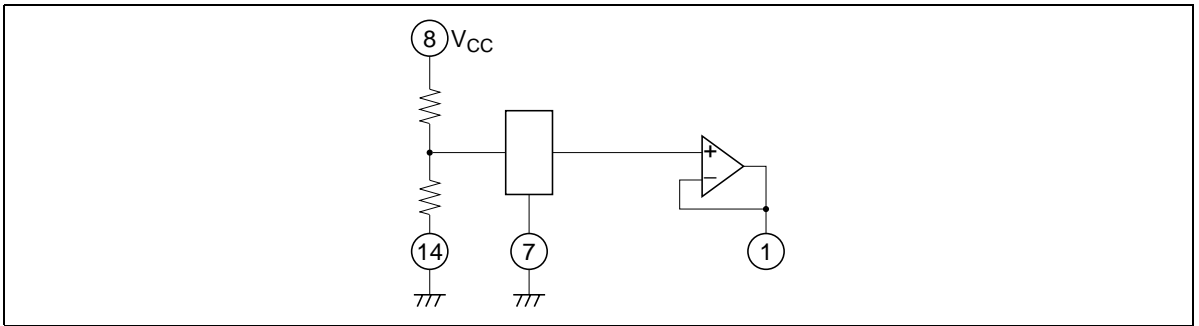


Figure 1 **The Block Diagram of Reference Supply Voltage**

Input Block Diagram and Level Diagram

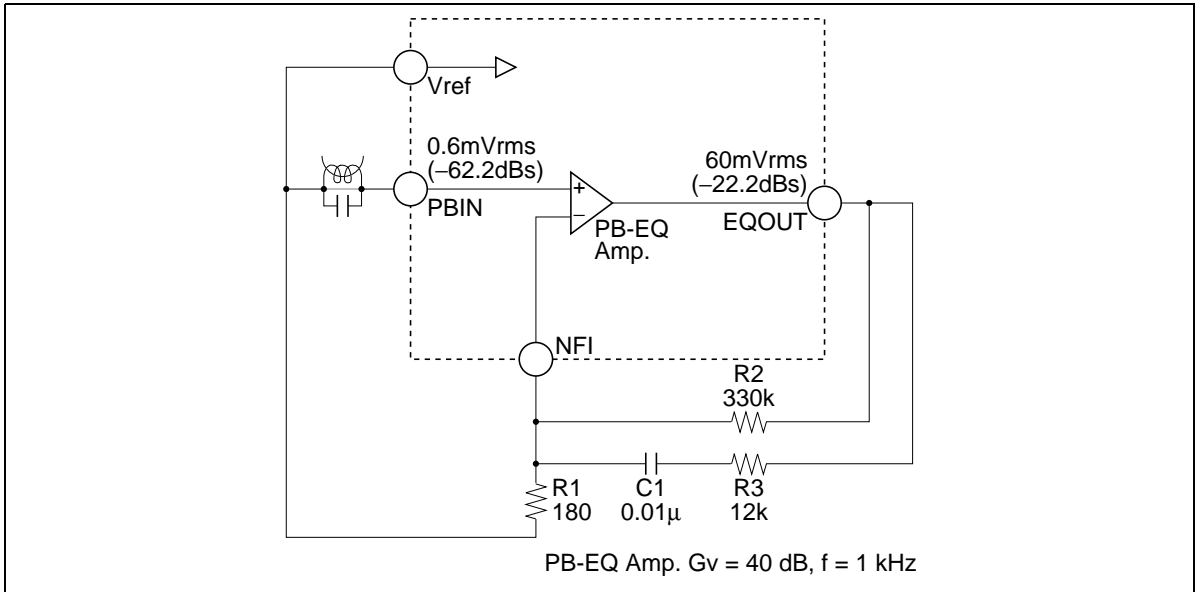


Figure 2 Input Block Diagram

Cutoff Frequency, Gain of PB-EQ Amp.

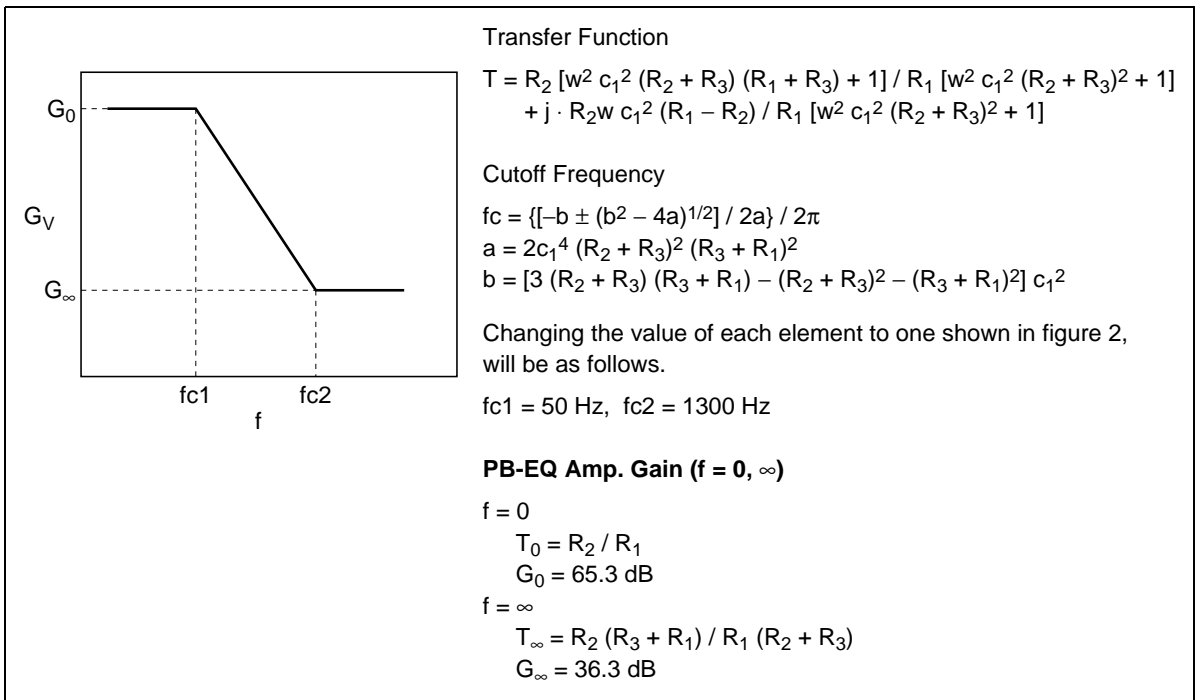
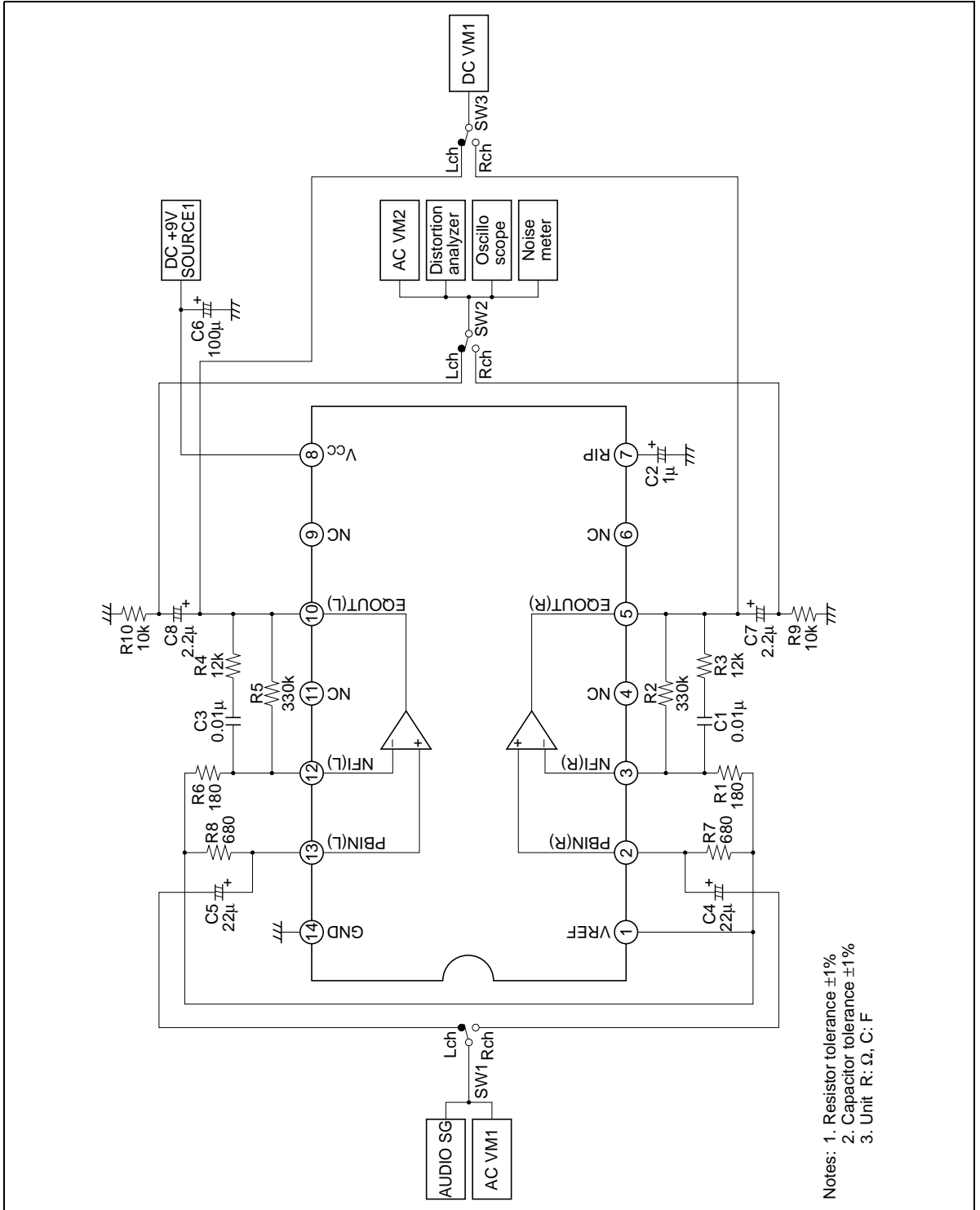
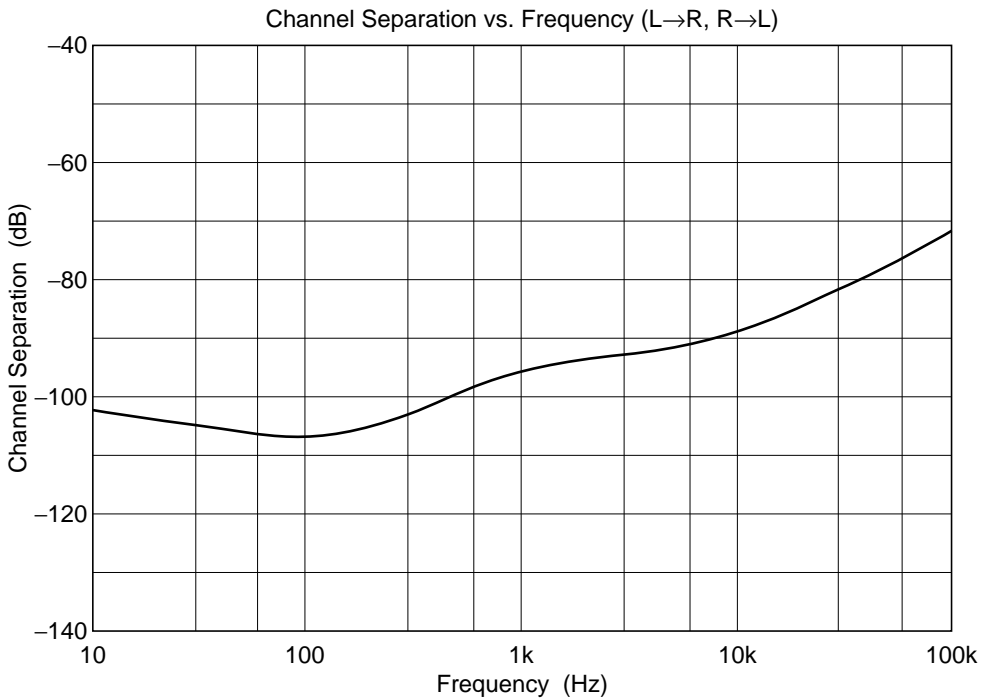
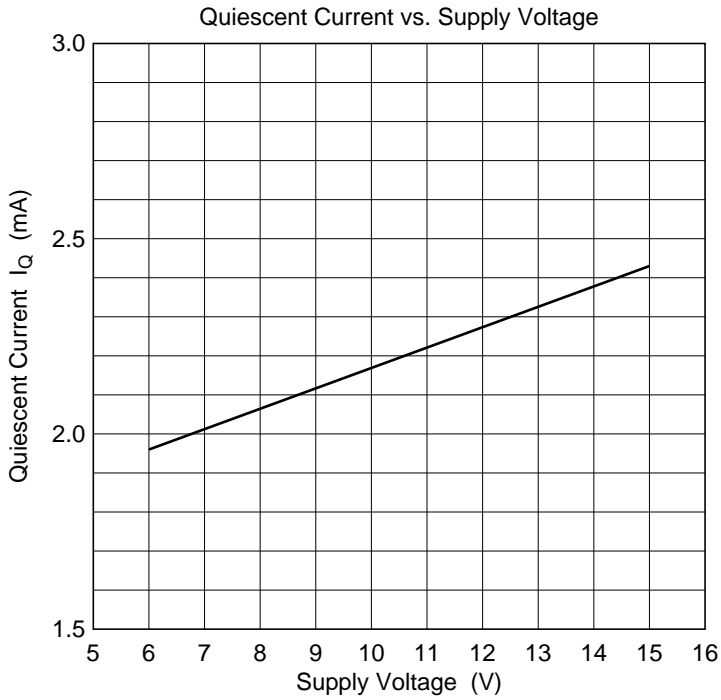


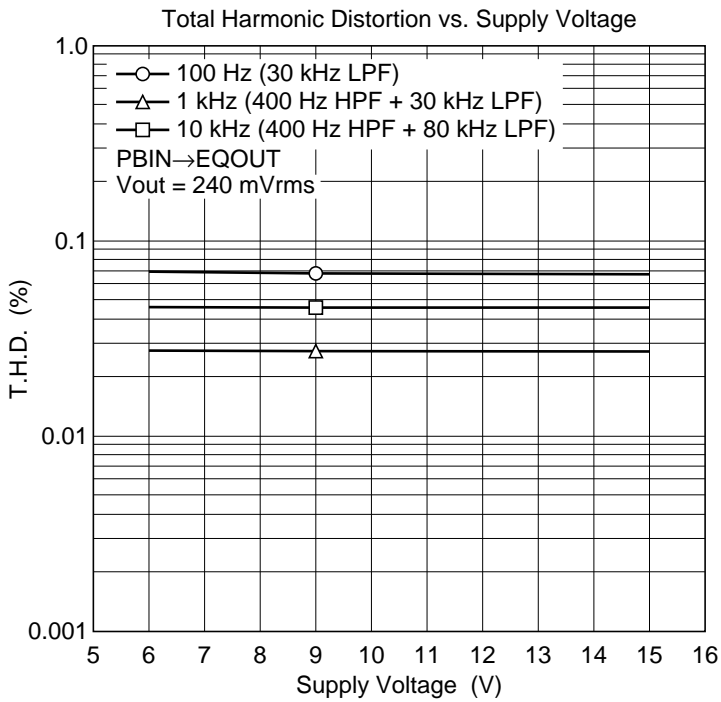
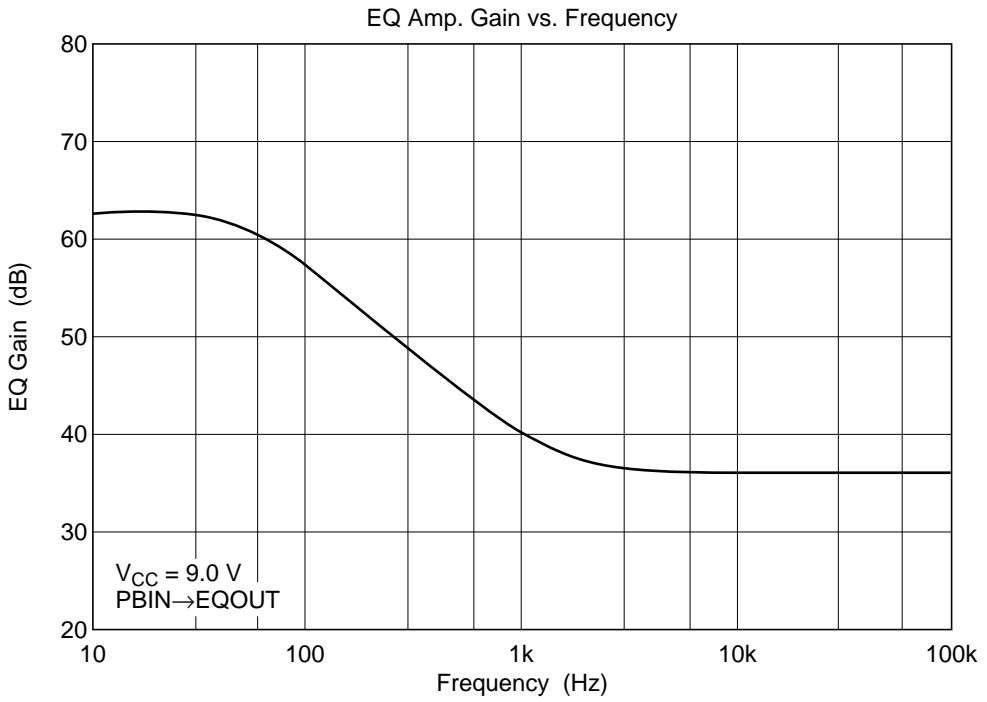
Figure 3 Cutoff Frequency of PB-EQ Amp.

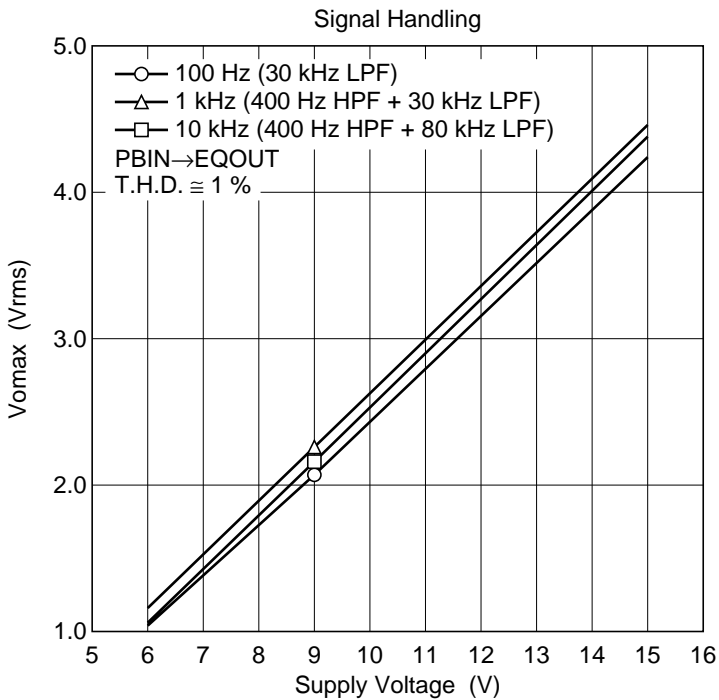
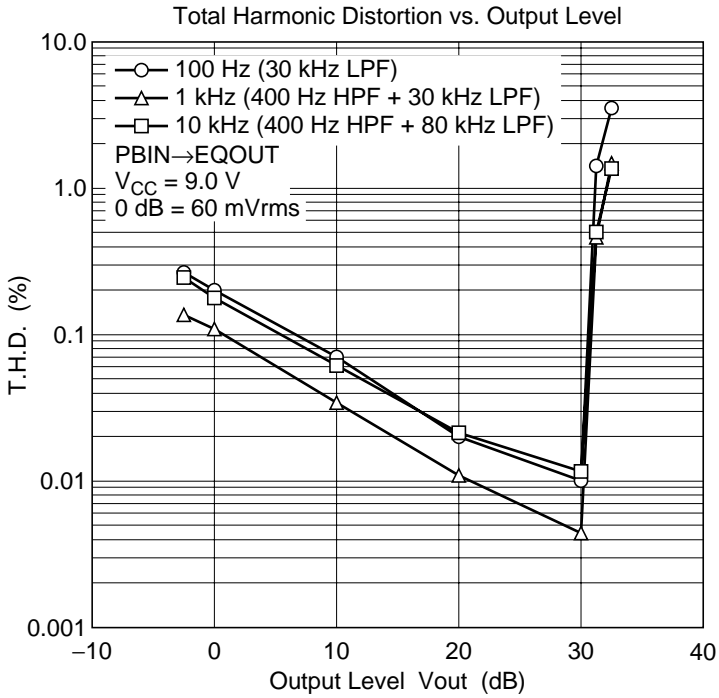
Test Circuit

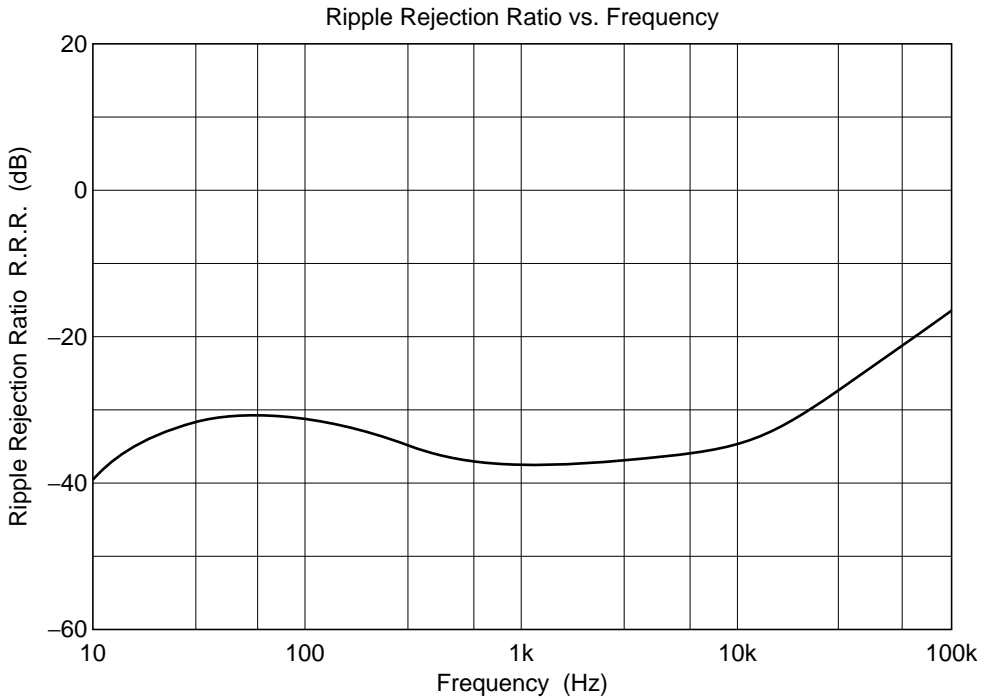
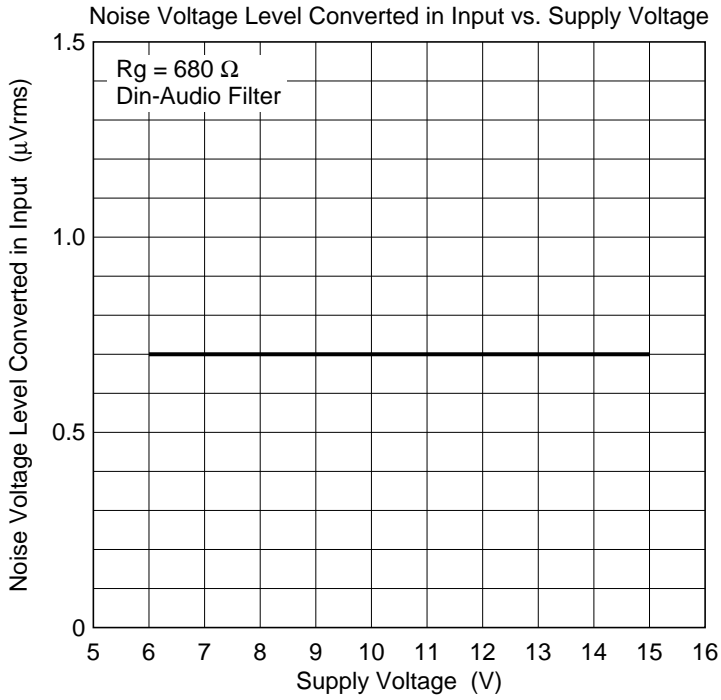


Characteristic Curves



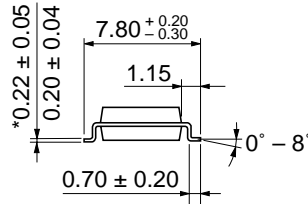
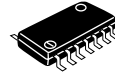
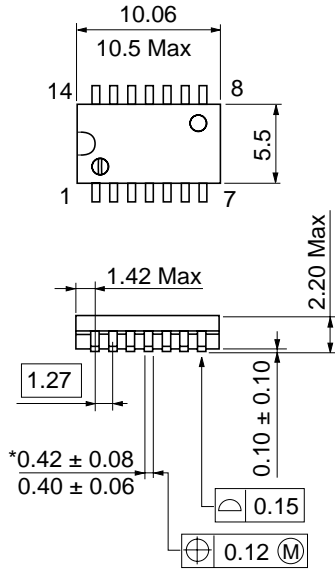






Package Dimensions

Unit: mm



*Dimension including the plating thickness
Base material dimension

Hitachi Code	FP-14DA
JEDEC	—
EIAJ	Conforms
Mass (reference value)	0.23 g

Disclaimer

1. Hitachi neither warrants nor grants licenses of any rights of Hitachi's or any third party's patent, copyright, trademark, or other intellectual property rights for information contained in this document. Hitachi bears no responsibility for problems that may arise with third party's rights, including intellectual property rights, in connection with use of the information contained in this document.
2. Products and product specifications may be subject to change without notice. Confirm that you have received the latest product standards or specifications before final design, purchase or use.
3. Hitachi makes every attempt to ensure that its products are of high quality and reliability. However, contact Hitachi's sales office before using the product in an application that demands especially high quality and reliability or where its failure or malfunction may directly threaten human life or cause risk of bodily injury, such as aerospace, aeronautics, nuclear power, combustion control, transportation, traffic, safety equipment or medical equipment for life support.
4. Design your application so that the product is used within the ranges guaranteed by Hitachi particularly for maximum rating, operating supply voltage range, heat radiation characteristics, installation conditions and other characteristics. Hitachi bears no responsibility for failure or damage when used beyond the guaranteed ranges. Even within the guaranteed ranges, consider normally foreseeable failure rates or failure modes in semiconductor devices and employ systemic measures such as fail-safes, so that the equipment incorporating Hitachi product does not cause bodily injury, fire or other consequential damage due to operation of the Hitachi product.
5. This product is not designed to be radiation resistant.
6. No one is permitted to reproduce or duplicate, in any form, the whole or part of this document without written approval from Hitachi.
7. Contact Hitachi's sales office for any questions regarding this document or Hitachi semiconductor products.

Sales Offices

HITACHI

Hitachi, Ltd.

Semiconductor & Integrated Circuits.
Nippon Bldg., 2-6-2, Ohte-machi, Chiyoda-ku, Tokyo 100-0004, Japan
Tel: Tokyo (03) 3270-2111 Fax: (03) 3270-5109

URL NorthAmerica : <http://semiconductor.hitachi.com/>
Europe : <http://www.hitachi-eu.com/hel/ecg>
Asia : <http://sicapac.hitachi-asia.com>
Japan : <http://www.hitachi.co.jp/Sicd/indx.htm>

For further information write to:

Hitachi Semiconductor
(America) Inc.
179 East Tasman Drive,
San Jose, CA 95134
Tel: <1>(408) 433-1990
Fax: <1>(408) 433-0223

Hitachi Europe GmbH
Electronic Components Group
Dornacher Straße 3
D-85622 Feldkirchen, Munich
Germany
Tel: <49> (89) 9 9180-0
Fax: <49> (89) 9 29 30 00
Hitachi Europe Ltd.
Electronic Components Group.
Whitebrook Park
Lower Cookham Road
Maidenhead
Berkshire SL6 8YA, United Kingdom
Tel: <44> (1628) 585000
Fax: <44> (1628) 585160

Hitachi Asia Ltd.
Hitachi Tower
16 Collyer Quay #20-00,
Singapore 049318
Tel : <65>-538-6533/538-8577
Fax : <65>-538-6933/538-3877
URL : <http://www.hitachi.com.sg>

Hitachi Asia Ltd.
(Taipei Branch Office)
4/F, No. 167, Tun Hwa North Road,
Hung-Kuo Building,
Taipei (105), Taiwan
Tel : <886>-(2)-2718-3666
Fax : <886>-(2)-2718-8180
Telex : 23222 HAS-TP
URL : <http://www.hitachi.com.tw>

Hitachi Asia (Hong Kong) Ltd.
Group III (Electronic Components)
7/F., North Tower,
World Finance Centre,
Harbour City, Canton Road
Tsim Sha Tsui, Kowloon,
Hong Kong
Tel : <852>-(2)-735-9218
Fax : <852>-(2)-730-0281
URL : <http://www.hitachi.com.hk>

Copyright © Hitachi, Ltd., 2000. All rights reserved. Printed in Japan.
Colophon 2.0