

**APPLICATIONS:**•  
Satellite receiver•  
Data receiver

# BSFZ-Series I/Q Output Satellite Tuners

**FEATURES**

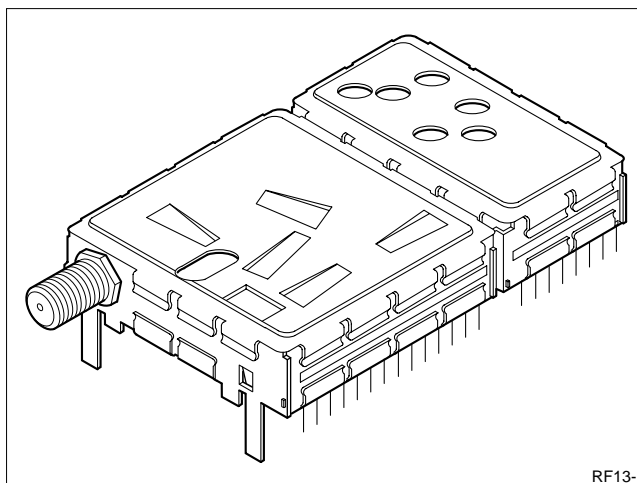
- First LO PLL tuning
- Low noise figure, 8 dB typical (model dependent)
- 65 dB typical AGC range
- Conversion gain range 45 dB typical
- Low phase noise
- Input range: 950 - 2,050 MHz
- Maximum input level: -25 dBm
- Input and output impedance: 75  $\Omega$
- 30 MHz I/Q output low pass filter, typical

**DESCRIPTION**

The BSFZ-series tuners are designed for reception of modulated digital data streams. These tuners can be used for reception of digital video and data streams.

The first Local Oscillator is Phase-Locked Loop tuned using a 3-wire or I<sup>2</sup>C-bus serial data bus. The second Local Oscillator in the I/Q Demodulator is controlled by a SAW resonator or an analog voltage depending on model. A prescaler is provided on the I/Q conversion oscillator output in some models for complete control of the conversion process.

The power supply is 5 V and 29 V.

**STANDARD BSFZ PACKAGE**

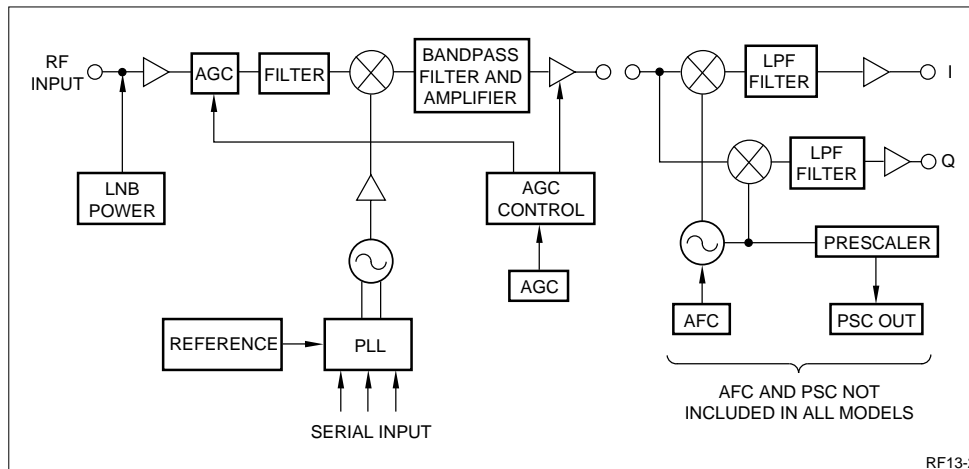
RF13-1

## MODEL SELECTION GUIDE

Model	Bandpass Filter (MHz)	I/Q Conversion Control	Package Style	PLL
BSFZ68G57	36	SAW Stabilized	Standup	I <sup>2</sup> C
BSFZ68G58	36	SAW Stabilized	Laydown	I <sup>2</sup> C
BSFZ68G61	36	SAW Stabilized	Standup	3-wire
BSFZ68G62	36	SAW Stabilized	Laydown	3-wire
BSFZ68G63	27/54	SAW Stabilized	Laydown	3-wire
BSFZ68G64	27/36	SAW Stabilized	Standup	3-wire
BSFZ68G65	27/36	SAW Stabilized	Laydown	3-wire
BSFZ68G66	7.8	SAW Stabilized	Standup	3-wire
BSFZ68G67	7.8	SAW Stabilized	Laydown	3-wire
BSFZ68G72	36	SAW Stabilized	PCI Compatible Laydown	I <sup>2</sup> C

Windows® software for tuning the 3-wire PLLs in the above listed models in a laboratory or test environment is available upon request.

## BASIC BLOCK DIAGRAM



## SHARP Microelectronics of the Americas Regional Sales Offices

**North American Headquarters**  
 Camas, WA  
 Ph (360) 834-2500  
 Fax (360) 834-8903

**West**  
 Irvine, CA  
 Ph (714) 250-0225  
 Fax (714) 250-0438  
 San Jose, CA  
 Ph (408) 436-4900  
 Fax (408) 436-0924

**Central**  
 Romeoville, IL  
 Ph (708) 226-2400  
 Fax (708) 759-8572  
 Auburn Hills, MI  
 Ph (810) 377-9220  
 Fax (810) 377-9222

**Austin, TX**  
 Ph (512) 349-7262  
 Fax (512) 349-7002  
**DFW Airport, TX**  
 Ph (214) 574-5205  
 Fax (214) 456-0360

**Houston, TX**  
 Ph (713) 955-9909  
 Fax (713) 955-9910

**East**  
 Burlington, MA  
 Ph (617) 270-7979  
 Fax (617) 229-9117  
 Annadale, NJ  
 Ph (908) 713-0505  
 Fax (908) 713-0566

**Durham, NC**  
 Ph (919) 941-0065  
 Fax (919) 941-0066

## Distributors

**Future Electronics**  
 Canada  
 Ph (514) 694-7710  
 Fax (514) 695-3707

**Marshall Industries**  
 El Monte, CA  
 Ph (800) 522-0084  
 Fax (818) 307-6173  
<http://www.marshall.com>

**Bell-Milgray**  
 Farmindale, NY  
 Ph (800) MILGRAY (645-4729)  
 Fax (516) 293-6465

**Reptron**  
 Tampa, FL  
 Ph (800) 659-1361  
 Fax (813) 854-2351

**Sterling Electronics Corp.**  
 Houston, TX  
 Ph (800) 745-5500  
 Fax (713) 629-3939

FastFax Service: 1-800-833-9437

Product Information: 1-800-642-0261

World Wide Website: <http://www.sharpsma.com>