

---

# 2SC4791

Silicon NPN Epitaxial

# HITACHI

---

## Application

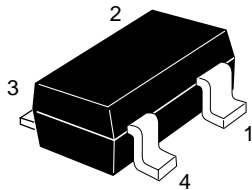
VHF / UHF wide band amplifier

## Features

- High gain bandwidth product  
 $f_T = 10 \text{ GHz Typ.}$
- High gain, low noise figure  
 $PG = 15.5 \text{ dB Typ, NF} = 1.2 \text{ dB Typ at } f = 900 \text{ MHz}$

## Outline

MPAK-4



1. Collector
2. Emitter
3. Base
4. Emitter

**Absolute Maximum Ratings** (Ta = 25°C)

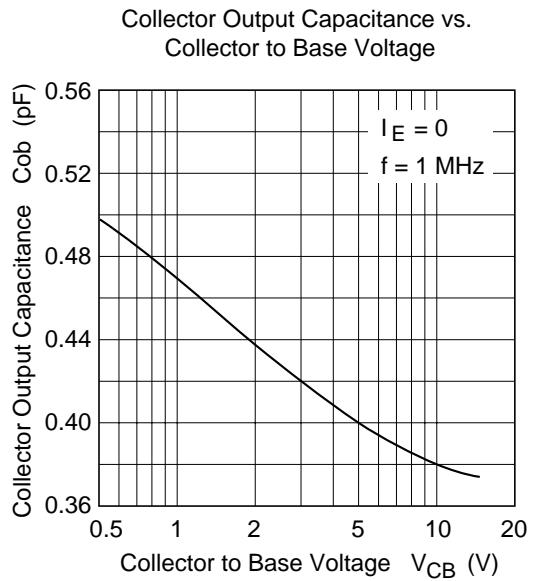
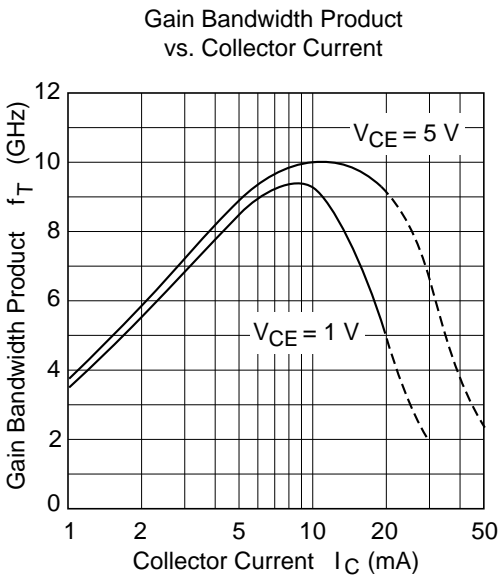
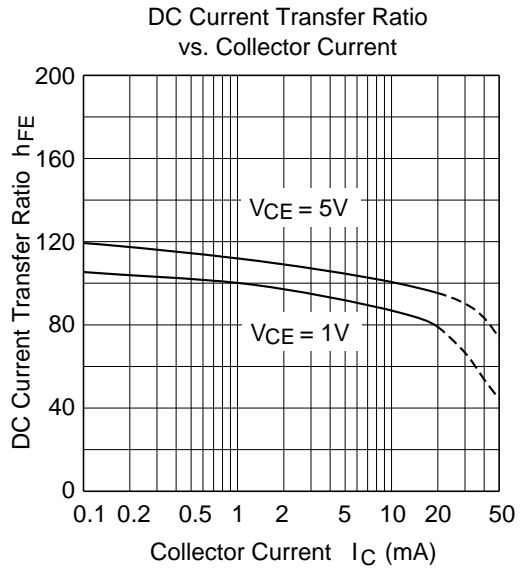
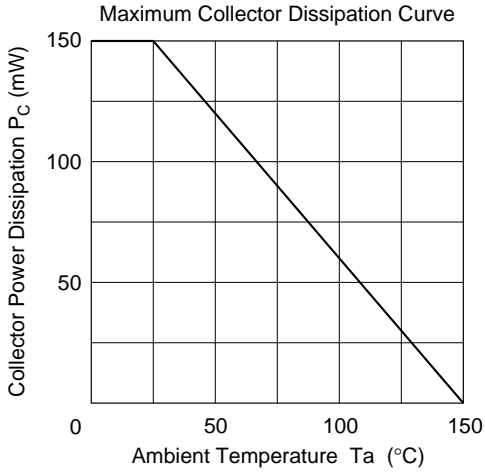
Item	Symbol	Ratings	Unit
Collector to base voltage	$V_{CBO}$	15	V
Collector to emitter voltage	$V_{CEO}$	8	V
Emitter to base voltage	$V_{EBO}$	1.5	V
Collector current	$I_C$	20	mA
Collector power dissipation	$P_C$	150	mW
Junction temperature	$T_j$	150	°C
Storage temperature	$T_{stg}$	-55 to +150	°C

**Electrical Characteristics** (Ta = 25°C)

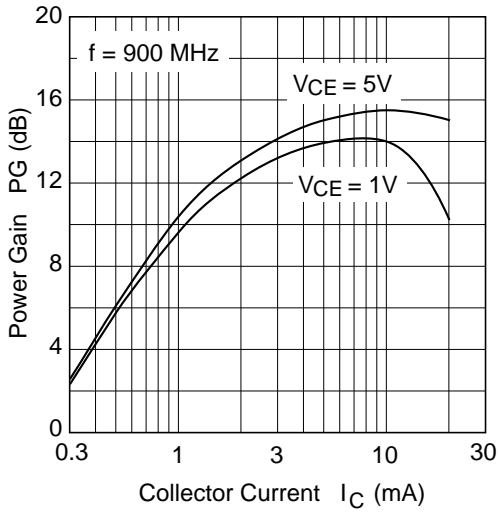
Item	Symbol	Min	Typ	Max	Unit	Test conditions
Collector cutoff current	$I_{CBO}$	—	—	10	μA	$V_{CB} = 15\text{ V}, I_E = 0$
	$I_{CEO}$	—	—	1	mA	$V_{CE} = 8\text{ V}, R_{BE} = \infty$
Emitter cutoff current	$I_{EBO}$	—	—	10	μA	$V_{EB} = 1.5\text{ V}, I_C = 0$
DC current transfer ratio	$h_{FE}$	50	120	250		$V_{CE} = 5\text{ V}, I_C = 10\text{ mA}$
Collector output capacitance	$C_{ob}$	—	0.4	0.75	pF	$V_{CB} = 5\text{ V}, I_E = 0, f = 1\text{ MHz}$
Gain bandwidth product	$f_T$	7.0	10.0	—	GHz	$V_{CE} = 5\text{ V}, I_C = 10\text{ mA}$
Power gain	PG	12.5	15.5	—	dB	$V_{CE} = 5\text{ V}, I_C = 10\text{ mA},$ $f = 900\text{ MHz}$
Noise figure	NF	—	1.2	2.5	dB	$V_{CE} = 5\text{ V}, I_C = 5\text{ mA},$ $f = 900\text{ MHz}$

Note: Marking is "YA-".

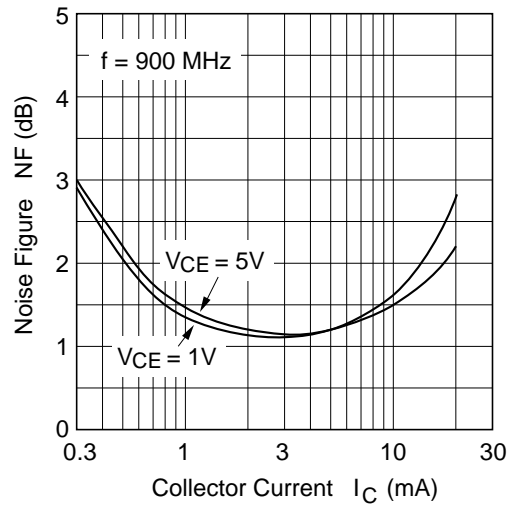
Attention: This is electrostatic sensitive device.



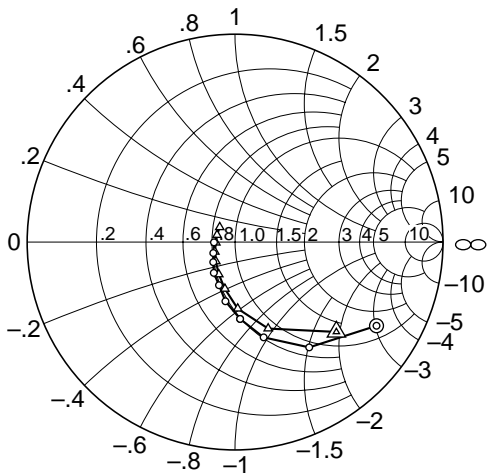
Power Gain vs. Collector Current



Noise Figure vs. Collector Current

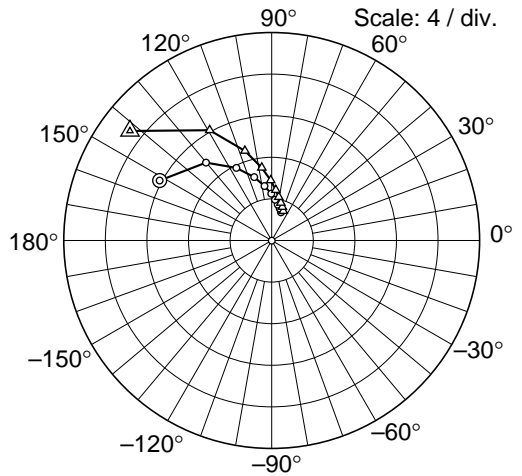


S11 Parameter vs. Frequency



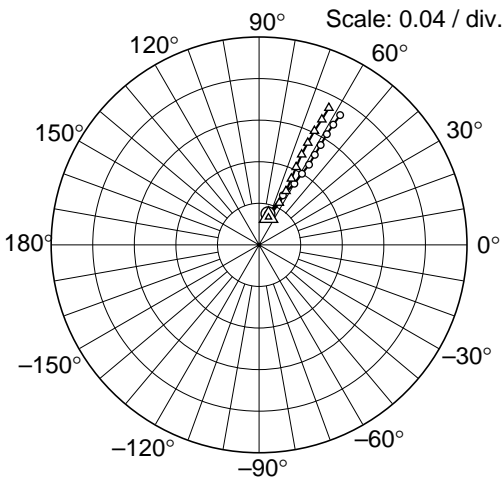
Condition:  $V_{CE} = 5\text{ V}$ ,  $Z_o = 50\ \Omega$   
 200 to 2000 MHz (200 MHz step)  
 ○ — ○ ( $I_C = 5\text{ mA}$ )  
 △ — △ ( $I_C = 10\text{ mA}$ )

S21 Parameter vs. Frequency



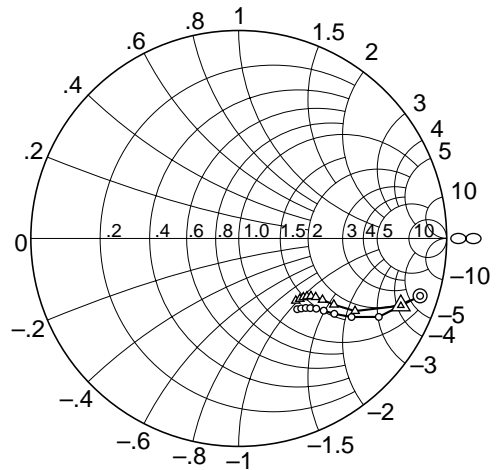
Condition:  $V_{CE} = 5\text{ V}$ ,  $Z_o = 50\ \Omega$   
 200 to 2000 MHz (200 MHz step)  
 ○ — ○ ( $I_C = 5\text{ mA}$ )  
 △ — △ ( $I_C = 10\text{ mA}$ )

S12 Parameter vs. Frequency



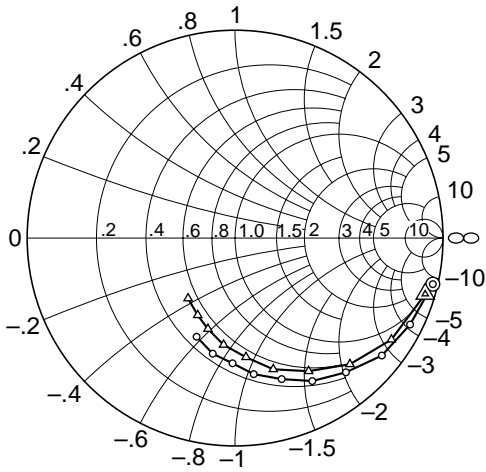
Condition:  $V_{CE} = 5\text{ V}$ ,  $Z_o = 50\ \Omega$   
 200 to 2000 MHz (200 MHz step)  
 ○ — ○ ( $I_C = 5\text{ mA}$ )  
 △ — △ ( $I_C = 10\text{ mA}$ )

S22 Parameter vs. Frequency



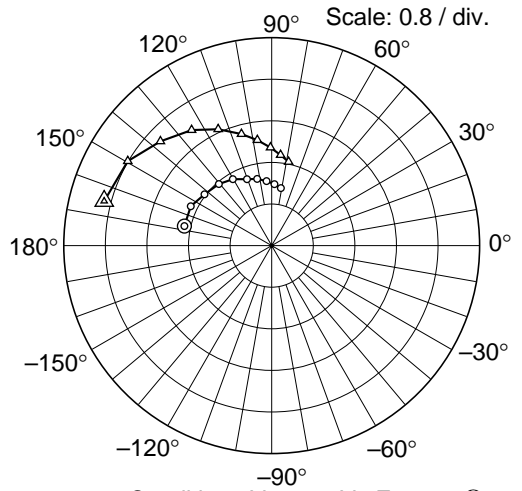
Condition:  $V_{CE} = 5\text{ V}$ ,  $Z_o = 50\ \Omega$   
 200 to 2000 MHz (200 MHz step)  
 ○ — ○ ( $I_C = 5\text{ mA}$ )  
 △ — △ ( $I_C = 10\text{ mA}$ )

S11 Parameter vs. Frequency



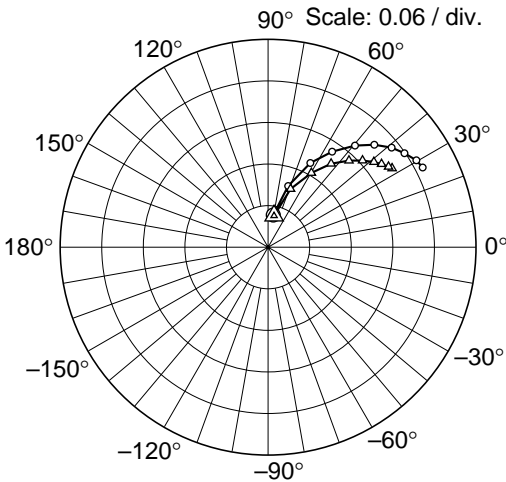
Condition:  $V_{CE} = 1\text{ V}$ ,  $Z_o = 50\ \Omega$   
 200 to 2000 MHz (200 MHz step)  
 ○ (  $I_C = 0.5\text{ mA}$  )  
 △ (  $I_C = 1\text{ mA}$  )

S21 Parameter vs. Frequency



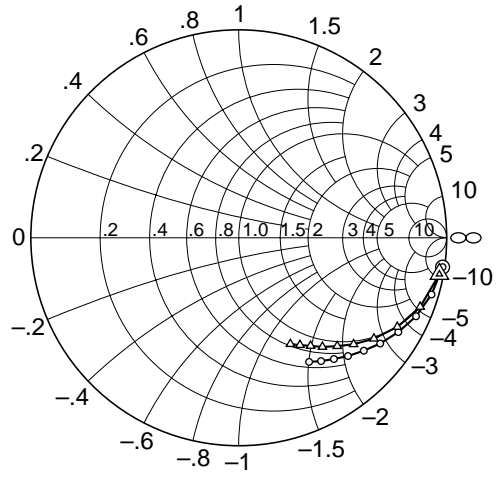
Condition:  $V_{CE} = 1\text{ V}$ ,  $Z_o = 50\ \Omega$   
 200 to 2000 MHz (200 MHz step)  
 ○ (  $I_C = 0.5\text{ mA}$  )  
 △ (  $I_C = 1\text{ mA}$  )

S12 Parameter vs. Frequency



Condition:  $V_{CE} = 1\text{ V}$ ,  $Z_o = 50\ \Omega$   
 200 to 2000 MHz (200 MHz step)  
 ○ (  $I_C = 0.5\text{ mA}$  )  
 △ (  $I_C = 1\text{ mA}$  )

S22 Parameter vs. Frequency



Condition:  $V_{CE} = 1\text{ V}$ ,  $Z_o = 50\ \Omega$   
 200 to 2000 MHz (200 MHz step)  
 ○ (  $I_C = 0.5\text{ mA}$  )  
 △ (  $I_C = 1\text{ mA}$  )

**S Parameter** ( $V_{CE} = 5 \text{ V}$ ,  $I_C = 5 \text{ mA}$ ,  $Z_O = 50 \Omega$ , Emitter Common)

Freq. (MHz)	S11		S21		S12		S22	
	MAG.	ANG.	MAG.	ANG.	MAG.	ANG.	MAG.	ANG.
100	0.859	-15.9	13.192	165.5	0.016	82.3	0.974	-9.3
200	0.790	-30.6	12.225	151.9	0.031	73.9	0.914	-17.5
300	0.700	-44.0	10.967	139.9	0.043	68.2	0.841	-24.2
400	0.618	-54.8	9.802	130.2	0.053	64.0	0.771	-29.2
500	0.543	-64.7	8.686	122.4	0.061	61.4	0.710	-32.5
600	0.477	-73.3	7.761	116.0	0.068	59.8	0.660	-34.8
700	0.421	-80.1	6.955	110.2	0.074	58.9	0.619	-36.7
800	0.369	-86.3	6.316	105.5	0.080	58.7	0.584	-38.2
900	0.331	-92.8	5.748	101.0	0.086	58.1	0.557	-39.3
1000	0.287	-99.4	5.275	97.6	0.091	57.9	0.535	-40.3
1100	0.226	-104.8	4.869	94.1	0.097	57.9	0.517	-41.2
1200	0.220	-110.7	4.498	90.6	0.102	58.1	0.502	-42.1
1300	0.200	-110.7	4.169	88.2	0.107	58.4	0.492	-43.1
1400	0.179	-125.0	3.926	85.4	0.113	58.2	0.479	-44.2
1500	0.159	-131.7	3.698	83.0	0.119	58.2	0.471	-44.9
1600	0.142	-138.0	3.493	80.5	0.125	58.4	0.463	-46.0
1700	0.126	-147.6	3.311	78.1	0.130	58.5	0.456	-47.2
1800	0.117	-154.1	3.143	76.1	0.136	58.2	0.450	-48.2
1900	0.109	-166.9	3.008	74.0	0.142	58.0	0.445	-49.3
2000	0.102	179.8	2.864	71.9	0.147	57.9	0.440	-50.4

## 2SC4791

**S Parameter** ( $V_{CE} = 5 \text{ V}$ ,  $I_C = 10 \text{ mA}$ ,  $Z_O = 50 \Omega$ , Emitter Common)

Freq. (MHz)	S11		S21		S12		S22	
	MAG.	ANG.	MAG.	ANG.	MAG.	ANG.	MAG.	ANG.
100	0.758	-22.4	19.871	159.8	0.015	78.6	0.942	-12.6
200	0.650	-41.5	17.252	142.4	0.028	71.0	0.842	-22.5
300	0.538	-57.1	14.423	129.0	0.037	66.8	0.739	-28.5
400	0.445	-69.1	12.168	119.4	0.045	64.3	0.659	-32.0
500	0.383	-79.6	10.376	112.2	0.052	63.3	0.600	-33.7
600	0.320	-87.8	8.995	106.7	0.058	63.4	0.577	-34.9
700	0.274	-95.4	7.914	101.8	0.065	63.7	0.524	-35.4
800	0.230	-102.4	7.057	97.8	0.071	64.0	0.499	-36.3
900	0.205	-109.8	6.332	93.9	0.076	64.4	0.480	-36.7
1000	0.174	-116.9	5.778	91.0	0.083	64.5	0.466	-37.4
1100	0.154	-125.9	5.291	88.1	0.089	64.6	0.454	-38.0
1200	0.131	-135.1	4.862	85.4	0.096	64.7	0.444	-38.7
1300	0.118	-142.7	4.508	82.9	0.102	64.6	0.438	-39.4
1400	0.108	-154.7	4.226	80.8	0.109	64.5	0.431	-40.4
1500	0.104	-165.2	3.961	78.7	0.116	64.3	0.426	-41.4
1600	0.093	-178.6	3.718	76.4	0.122	64.1	0.420	-42.4
1700	0.095	169.4	3.532	74.3	0.129	64.0	0.417	-43.6
1800	0.094	158.4	3.347	72.4	0.135	63.4	0.413	-44.8
1900	0.094	148.2	3.190	70.5	0.142	63.2	0.409	-46.0
2000	0.101	136.0	3.036	68.6	0.148	63.0	0.406	-47.3



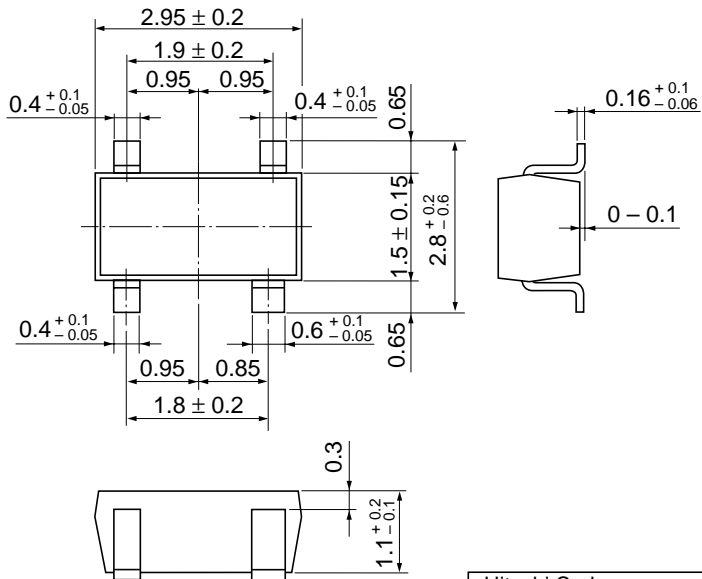
**S Parameter** ( $V_{CE} = 1\text{ V}$ ,  $I_C = 0.5\text{ mA}$ ,  $Z_O = 50\ \Omega$ , Emitter Common)

Freq. (MHz)	S11		S21		S12		S22	
	MAG.	ANG.	MAG.	ANG.	MAG.	ANG.	MAG.	ANG.
100	0.983	-6.6	1.757	174.0	0.023	85.8	0.995	-4.1
200	0.976	-13.1	1.723	167.3	0.047	80.7	0.990	-8.2
300	0.961	-19.6	1.741	160.2	0.071	76.4	0.980	-12.3
400	0.938	-26.2	1.734	154.0	0.093	71.9	0.966	-16.4
500	0.920	-32.5	1.666	147.6	0.093	67.6	0.950	-20.1
600	0.903	-38.6	1.629	142.6	0.133	63.4	0.932	-23.9
700	0.868	-44.6	1.584	136.2	0.151	59.9	0.913	-27.3
800	0.836	-50.4	1.564	130.6	0.166	56.2	0.891	-30.6
900	0.819	-56.1	1.520	125.3	0.180	52.8	0.869	-33.8
1000	0.780	-61.6	1.484	120.3	0.193	49.5	0.849	-36.8
1100	0.749	-66.9	1.434	115.3	0.204	46.7	0.828	-39.6
1200	0.713	-71.7	1.369	110.4	0.213	44.0	0.810	-42.1
1300	0.687	-77.0	1.322	107.2	0.221	41.4	0.794	-44.8
1400	0.659	-82.2	1.317	102.3	0.229	38.9	0.774	-47.3
1500	0.629	-86.9	1.282	98.5	0.234	36.7	0.757	-49.7
1600	0.601	-91.2	1.248	94.6	0.239	34.6	0.741	-51.9
1700	0.578	-96.7	1.215	91.0	0.243	32.4	0.726	-54.2
1800	0.656	-101.0	1.187	87.5	0.248	30.4	0.713	-56.3
1900	0.532	-106.3	1.155	84.4	0.249	28.9	0.699	-58.4
2000	0.508	-111.4	1.124	81.0	0.251	27.3	0.686	-60.5

## 2SC4791

**S Parameter** ( $V_{CE} = 1 \text{ V}$ ,  $I_C = 1 \text{ mA}$ ,  $Z_O = 50 \Omega$ , Emitter Common)

Freq. (MHz)	S11		S21		S12		S22	
	MAG.	ANG.	MAG.	ANG.	MAG.	ANG.	MAG.	ANG.
100	0.969	-8.3	3.406	172.8	0.023	84.7	0.992	-5.3
200	0.953	-16.4	3.337	165.1	0.046	79.1	0.980	-10.3
300	0.927	-25.1	3.270	157.0	0.070	73.7	0.960	-15.8
400	0.896	-33.0	3.218	149.3	0.090	68.8	0.933	-20.8
500	0.860	-40.5	3.068	143.0	0.108	64.2	0.905	-25.1
600	0.820	-47.7	2.950	136.9	0.124	59.7	0.874	-29.3
700	0.778	-54.5	2.816	130.7	0.139	56.3	0.844	-33.2
800	0.731	-61.1	2.711	124.8	0.151	52.9	0.810	-36.7
900	0.703	-67.5	2.580	119.7	0.162	49.8	0.780	-39.9
1000	0.657	-73.8	2.470	114.8	0.171	46.9	0.752	-42.8
1100	0.617	-79.8	2.363	110.2	0.178	44.7	0.725	-45.5
1200	0.575	-84.8	2.229	105.3	0.185	42.5	0.703	-47.7
1300	0.549	-89.8	2.104	102.4	0.191	40.8	0.686	-50.1
1400	0.516	-96.2	2.053	97.9	0.196	38.8	0.660	-52.5
1500	0.485	-101.5	1.975	94.3	0.199	37.6	0.641	-54.5
1600	0.456	-106.7	1.891	90.9	0.203	36.2	0.623	-56.4
1700	0.429	-111.9	1.827	87.8	0.206	34.9	0.607	-58.3
1800	0.412	-115.9	1.751	84.6	0.209	33.7	0.593	-60.3
1900	0.389	-122.6	1.700	81.7	0.211	33.2	0.580	-62.1
2000	0.368	-128.0	1.645	78.8	0.212	32.4	0.567	-64.1



Hitachi Code	MPAK-4
JEDEC	—
EIAJ	Conforms
Weight (reference value)	0.013 g

## Cautions

1. Hitachi neither warrants nor grants licenses of any rights of Hitachi's or any third party's patent, copyright, trademark, or other intellectual property rights for information contained in this document. Hitachi bears no responsibility for problems that may arise with third party's rights, including intellectual property rights, in connection with use of the information contained in this document.
2. Products and product specifications may be subject to change without notice. Confirm that you have received the latest product standards or specifications before final design, purchase or use.
3. Hitachi makes every attempt to ensure that its products are of high quality and reliability. However, contact Hitachi's sales office before using the product in an application that demands especially high quality and reliability or where its failure or malfunction may directly threaten human life or cause risk of bodily injury, such as aerospace, aeronautics, nuclear power, combustion control, transportation, traffic, safety equipment or medical equipment for life support.
4. Design your application so that the product is used within the ranges guaranteed by Hitachi particularly for maximum rating, operating supply voltage range, heat radiation characteristics, installation conditions and other characteristics. Hitachi bears no responsibility for failure or damage when used beyond the guaranteed ranges. Even within the guaranteed ranges, consider normally foreseeable failure rates or failure modes in semiconductor devices and employ systemic measures such as fail-safes, so that the equipment incorporating Hitachi product does not cause bodily injury, fire or other consequential damage due to operation of the Hitachi product.
5. This product is not designed to be radiation resistant.
6. No one is permitted to reproduce or duplicate, in any form, the whole or part of this document without written approval from Hitachi.
7. Contact Hitachi's sales office for any questions regarding this document or Hitachi semiconductor products.

# HITACHI

## Hitachi, Ltd.

Semiconductor & Integrated Circuits.  
Nippon Bldg., 2-6-2, Ohte-machi, Chiyoda-ku, Tokyo 100-0004, Japan  
Tel: Tokyo (03) 3270-2111 Fax: (03) 3270-5109

URL      North America      : <http://semiconductor.hitachi.com/>  
             Europe                : <http://www.hitachi-eu.com/hel/ecg>  
             Asia (Singapore)      : <http://www.has.hitachi.com.sg/grp3/sicd/index.htm>  
             Asia (Taiwan)            : [http://www.hitachi.com.tw/E/Product/SICD\\_Frame.htm](http://www.hitachi.com.tw/E/Product/SICD_Frame.htm)  
             Asia (HongKong)        : <http://www.hitachi.com.hk/eng/bo/grp3/index.htm>  
             Japan                        : <http://www.hitachi.co.jp/Sicd/indx.htm>

## For further information write to:

Hitachi Semiconductor  
(America) Inc.  
179 East Tasman Drive,  
San Jose, CA 95134  
Tel: <1> (408) 433-1990  
Fax: <1> (408) 433-0223

Hitachi Europe GmbH  
Electronic components Group  
Dornacher Straße 3  
D-85622 Feldkirchen, Munich  
Germany  
Tel: <49> (89) 9 9180-0  
Fax: <49> (89) 9 29 30 00

Hitachi Europe Ltd.  
Electronic Components Group.  
Whitebrook Park  
Lower Cookham Road  
Maidenhead  
Berkshire SL6 8YA, United Kingdom  
Tel: <44> (1628) 585000  
Fax: <44> (1628) 778322

Hitachi Asia Pte. Ltd.  
16 Collyer Quay #20-00  
Hitachi Tower  
Singapore 049318  
Tel: 535-2100  
Fax: 535-1533

Hitachi Asia Ltd.  
Taipei Branch Office  
3F, Hung Kuo Building, No.167,  
Tun-Hwa North Road, Taipei (105)  
Tel: <886> (2) 2718-3666  
Fax: <886> (2) 2718-8180

Hitachi Asia (Hong Kong) Ltd.  
Group III (Electronic Components)  
7/F., North Tower, World Finance Centre,  
Harbour City, Canton Road, Tsim Sha Tsui,  
Kowloon, Hong Kong  
Tel: <852> (2) 735 9218  
Fax: <852> (2) 730 0281  
Telex: 40815 HITEC HX

Copyright ' Hitachi, Ltd., 1999. All rights reserved. Printed in Japan.

**HITACHI**

This datasheet has been download from:

[www.datasheetcatalog.com](http://www.datasheetcatalog.com)

Datasheets for electronics components.