

5V Automotive Regulator with Windowed Watchdog

Description

The EM6152A offers a high level of integration by combining voltage regulation, voltage monitoring and software monitoring using a windowed watchdog.

A comparator monitors the voltage applied at the V_{IN} input comparing it with an internal voltage reference V_{REF} . The power-on reset function is initialized after V_{IN} reaches V_{REF} and takes the reset output inactive after a delay T_{POR} depending on external resistance R_{OSC} . The reset output goes active low when the V_{IN} voltage is less than V_{REF} . The RES and EN outputs are guaranteed to be in a correct state for a regulated output voltage as low as 1.2 V. The watchdog function monitors software cycle time and execution.

If software clears the watchdog too quickly (incorrect cycle time) or too slowly (incorrect execution) it will cause the system to be reset. For enhanced security, the watchdog must be serviced within an "open" time window. During the remaining time, the watchdog time window is "closed" and a reset will occur should a \overline{TCL} pulse be received by the watchdog during this "closed" time window. The ratio of the open/closed window is either 33%/67% or 67%/33%.

The system $ENABLE$ output prevents critical control functions being activated until software has successfully cleared the watchdog three times. Such a security could be used to prevent motor controls being energized on repeated resets of a faulty system.

When the microcontroller goes in stand-by mode or stops working, no signal is received on the \overline{TCL} input of the EM6152A (version 55) and it goes into a stand-by mode in order to save power (CAN-bus sleep detector).

In EM6152A, the voltage regulator has a low dropout voltage and a low quiescent current of 90 μA . The quiescent current increases only slightly in dropout prolonging battery life. Built-in protection includes a positive transient absorber for up to 45 V (load dump) and the ability to survive an unregulated input voltage of -42 V (reverse battery). The input may be connected to ground or to a reverse voltage without reverse current flowing from the output to the input.

Features

- Low quiescent current 90 μA
- 40°C to +125°C temperature range
- Highly accurate 5 V, 150 mA guaranteed output (actual maximum current depends on power dissipation)
- Low dropout voltage, typically 250 mV at 100 mA
- Unregulated DC input can withstand -42 V reverse battery and +45 V power transients
- Fully operational for unregulated DC input voltage up to 40 V and regulated output voltage down to 3.5 V
- No reverse output current
- Very low temperature coefficient for the regulated output
- Current limiting
- Windowed watchdog with an adjustable time windows, guaranteeing a minimum time and a maximum time between software clearing of the watchdog
- Time base accuracy $\pm 8\%$ (at 100ms)
- Sleep mode function (V55)
- Adjustable threshold voltage using external resistors
- Adjustable power on reset (POR) delay using one external resistor
- Open-drain active-low RESET output
- Reset output guaranteed for regulated output voltage down to 1.2 V
- System $ENABLE$ output offers added security
- Qualified according to AEC-Q100
- Pin out compatible with EM6152
- Green SO-8 and Exposed Pad SO-16 packages (RoHS compliant)

Applications

- Automotive systems
- Industrial
- Home security systems
- Telecom / Networking
- Computers
- Set top boxes

Typical Operating Configuration

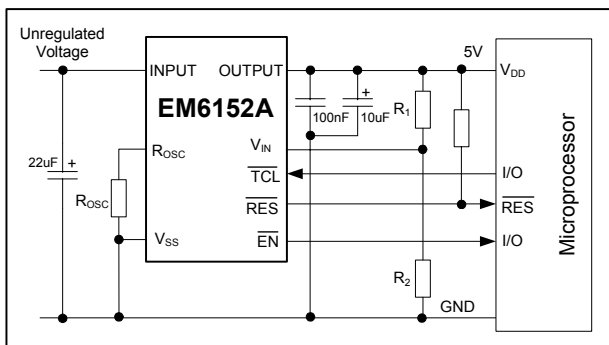


Fig. 1

Selection Table

Part Number	V_{REF}	Closed Window	Open Window	CAN-bus sleep detector
EM6152A30	1.17 V	67%	33%	NO
EM6152A50	1.52 V	67%	33%	NO
EM6152A53	1.52 V	33%	67%	NO
EM6152A55	1.275 V	67%	33%	YES

Please refer to Fig. 4 for more information about the open/closed window of the watchdog.

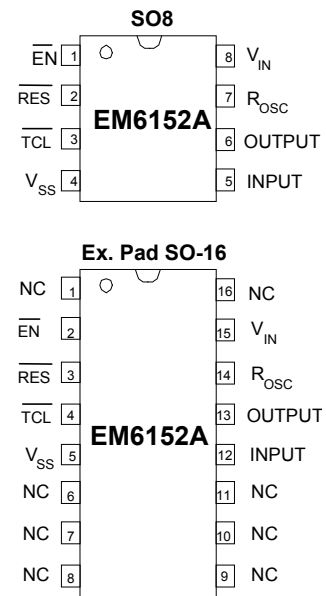
Ordering Information

Part Number	Version	V _{REF}	Package	Delivery Form	Package Marking
EM6152A30SO8A+ EM6152A30SO8B+	V30	1.170 V	SO-8	Stick, 97 pcs Tape & Reel, 2500 pcs	6152A30
EM6152A50SO8A+ EM6152A50SO8B+	V50	1.52 V	SO-8	Stick, 97 pcs Tape & Reel, 2500 pcs	6152A50
EM6152A50ES16B+			Ex. Pad SO-16	Tape & Reel, 2500 pcs	EM6152A050
EM6152A53SO8A+ EM6152A53SO8B+	V53	1.52V	SO-8	Stick, 97 pcs Tape & Reel, 2500 pcs	6152A53
EM6152A53ES16B+			Ex. Pad SO-16	Tape & Reel, 2500 pcs	EM6152A053
EM6152A55SO8A+ EM6152A55SO8B+	V55	1.275 V	SO-8	Stick, 97 pcs Tape & Reel, 2500 pcs	6152A55

Note: the "+" symbol at the end of the part number means that this product is RoHS compliant (green). For version V30, please contact EM Microelectronic.

Pin Assignment and Description

SO8	Ex. Pad SO-16	Name	Function
1	2	\overline{EN}	Push-pull active low enable output
2	3	\overline{RES}	Open drain active low reset output. \overline{RES} must be pulled up to V _{OUTPUT} even if unused
3	4	\overline{TCL}	Watchdog timer clear input signal
4	5	V _{SS}	GND terminal
5	12	INPUT	Voltage regulator input
6	13	OUTPUT	Voltage regulator output
7	14	R _{OSC}	R _{OSC} input for RC oscillator tuning
8	15	V _{IN}	Voltage comparator input
-	1, 6 to 11, 16	NC	No connect
-	Exposed pad		Can be connected to V _{SS} or left floating



Block Diagram EM6152A

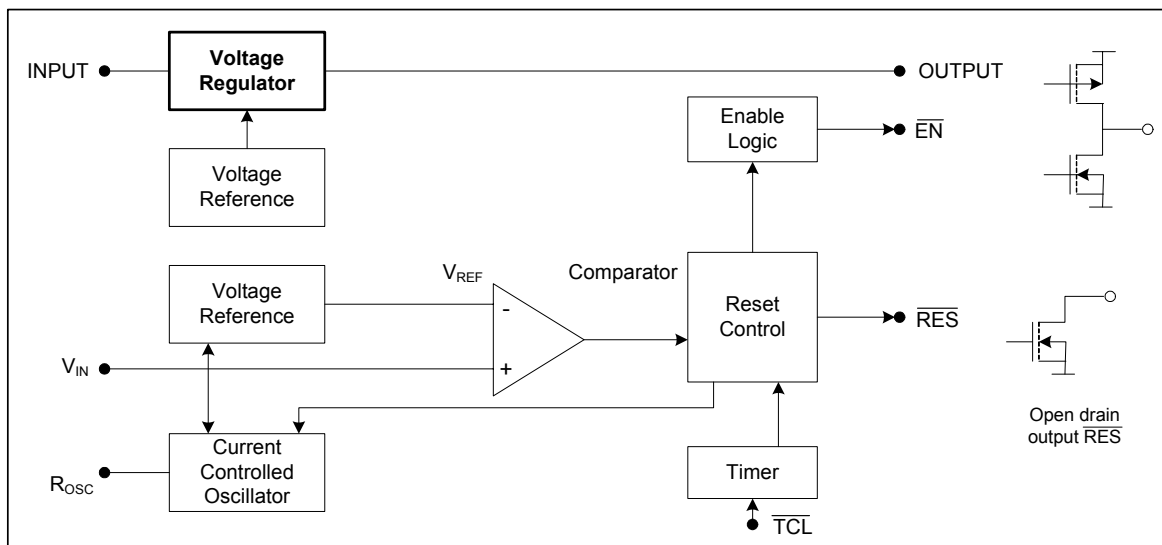


Fig. 3

Absolute Maximum Ratings

Parameter	Symbol	Conditions
Continuous voltage at INPUT to V _{SS}	V _{INPUT}	-0.3 to +40V
Transients on INPUT for t < 100 ms and duty cycle 1%	V _{TRANS}	Up to +45V
Max. voltage at any signal pin	V _{MAX}	V _{OUTPUT} + 0.3V
Min. voltage at any signal pin	V _{MIN}	V _{SS} - 0.3V
Reverse supply voltage on INPUT	V _{REV}	-42V
Storage temperature	T _{STO}	-65 to +150 °C
ESD According to MIL-STD-883 method 3015.7	V _{Smax}	2000V

Table 1

Stresses above these listed maximum ratings may cause permanent damages to the device. Exposure beyond specified operating conditions may affect device reliability or cause malfunction.

Decoupling Methods

The input capacitor is necessary to compensate the line influences. A resistor of approx. 1 Ω connected in series with the input capacitor may be used to damp the oscillation of the input capacitor and input inductance. The ESR value of the capacitor plays a major role regarding the efficiency of the decoupling. It is recommended also to connect a ceramic capacitor (100 nF) directly at the IC's pins. In general the user must assure that pulses on the input line have slew rates lower than 1 V/μs. On the output side, the capacitor is necessary for the stability of the regulation circuit. The stability is guaranteed for values of 10 μF or

greater. It is especially important to choose a capacitor with a low ESR value. Tantalum capacitors are recommended. See the notes related to Table 2. Special care must be taken in disturbed environments (automotive, proximity of motors and relays, etc.).

Handling Procedures

This device has built-in protection against high static voltages or electric fields; however, it is advised that normal precautions be taken as for any other CMOS component. Unless otherwise specified, proper operation can only occur when all terminal voltages are kept within the voltage range. At any time, all inputs must be tied to a defined logic voltage level.

Operating Conditions

Parameter	Symbol	Min.	Max.	Units
Operating junction temperature	T _j	-40	+125	°C
INPUT voltage (note 1, 2)	V _{INPUT}	5.5	40	V
$\overline{\text{RES}}$ and $\overline{\text{EN}}$ guaranteed (note 3)	V _{OUTPUT}	1.2		V
OUTPUT current (note 4)	I _{OUTPUT}		150	mA
Comparator input voltage	V _{IN}	0	V _{OUTPUT}	V
RC-oscillator programming	R _{OSC}	10	1000	kΩ
Package thermal resistance from junction to ambient : SO-8 Exp. Pad SO-16 150 MILS (note 5)	R _{th(j-a)}	30	160 90	°C/W

Table 2

- Note 1:** full operation guaranteed. To achieve the load regulation specified in Table 3 a 22 μF capacitor or greater is required on the INPUT, see Fig. 1b. The 22 μF must have an effective resistance ≤ 4 Ω and a resonant frequency above 500 kHz.
- Note 2:** a 10 μF load capacitor and a 100 nF decoupling capacitor are required on the regulator OUTPUT for stability. The 10 μF must have an effective series resistance of ≤ 4 Ω and a resonant frequency above 500 kHz.
- Note 3:** $\overline{\text{RES}}$ must be pulled up externally to V_{OUTPUT} even if it is unused. ($\overline{\text{RES}}$ and $\overline{\text{EN}}$ are used as inputs by EM test)
- Note 4:** the OUTPUT current will not apply to the full range of input voltage. Power dissipation that would require the EM6152A to work above the maximum junction temperature (+125°C) must be avoided.
- Note 5:** the thermal resistance specified assumes the package is soldered to a PCB. A typical value of 51°C/W has been obtained with a dual layer board, with the slug soldered to the heat-sink area of the PCB (See Figure 16)



Electrical Characteristics

$V_{\text{INPUT}} = 13.5 \text{ V}$, $C_L = 10 \text{ } \mu\text{F} + 100 \text{ nF}$, $C_{\text{INPUT}} = 22 \text{ } \mu\text{F}$, $T_j = -40 \text{ to } +125^\circ\text{C}$, unless otherwise specified

Parameter	Symbol	Test Conditions	Min.	Typ.	Max.	Unit
Supply current in standby mode and sleep mode for V55 (note 1)	I_{SS}	$R_{\text{OSC}} = \text{don't care}$, $T_{\text{CL}} = V_{\text{OUTPUT}}$, $V_{\text{IN}} = 0 \text{ V}$, $I_L = 100 \text{ } \mu\text{A}$		80	135	μA
Supply current (note1)	I_{SS}	$R_{\text{OSC}} = 100 \text{ k}\Omega$, I/P_S at V_{OUTPUT} , O/P_S $1 \text{ M}\Omega$ to V_{OUTPUT} , $I_L = 100 \text{ } \mu\text{A}$		90	140	μA
Supply current	I_{SS}	$R_{\text{OSC}} = 100 \text{ k}\Omega$, I/P_S at V_{OUTPUT} , O/P_S $1 \text{ M}\Omega$ to V_{OUTPUT} , $I_L = 50 \text{ mA}$		1.7	4	mA
Voltage regulator						
Output voltage	V_{OUTPUT}	$5 \text{ mA} \leq I_L \leq 100 \text{ mA}$	4.85	5	5.15	V
Line regulation (note 2)	V_{LINE}	$6 \text{ V} \leq V_{\text{INPUT}} \leq 28 \text{ V}$, $I_L = 1 \text{ mA}$		5	30	mV
Load regulation (note 2)	V_L	$1 \text{ mA} \leq I_L \leq 100 \text{ mA}$, $V_{\text{INPUT}} = 6\text{V}$		50	95	mV
Dropout voltage (note 3)	V_{DROPOUT}	$I_L = 100 \text{ mA}$		250	500	mV
Current limit	I_{Lmax}	OUTPUT tied to V_{SS} , $V_{\text{INPUT}} = 6\text{V}$	150	200	500	mA
Supervisory and watchdog						
RES & EN	V_{OL}	$V_{\text{OUTPUT}} = 4.5 \text{ V}$, $I_{\text{OL}} = 8 \text{ mA}$		0.25	0.45	V
Output Low Voltage		$V_{\text{OUTPUT}} = 1.2 \text{ V}$, $I_{\text{OL}} = 0.5 \text{ mA}$		0.04	0.2	V
EN	V_{OH}	$V_{\text{OUTPUT}} = 4.5 \text{ V}$, $I_{\text{OH}} = -1 \text{ mA}$	3.5	4.1		V
Output High Voltage		$V_{\text{OUTPUT}} = 1.2 \text{ V}$, $I_{\text{OH}} = -20 \text{ } \mu\text{A}$	0.9	1.05		V
TCL Input Low Level	V_{IL}		V_{SS}		0.5	V
TCL Input High Level	V_{IH}		2.5		V_{OUTPUT}	V
TCL Leakage current	I_{LI}	$V_{\text{SS}} \leq V_{\text{TCL}} \leq V_{\text{OUTPUT}}$		0.05		μA
Comparator reference (note 5, 6)	V_{REF}	Version V30	1.135	1.170	1.205	V
		Version V50	1.475	1.520	1.565	V
		Version V53	1.475	1.520	1.565	V
		Version V55	1.235	1.275	1.315	V
Comparator hysteresis (note 6)	V_{HY}			2		mV
V_{IN} input resistance	R_{VIN}			100		$\text{M}\Omega$

Table 3

- Note 1:** if INPUT is connected to V_{SS} , no reverse current will flow from the OUTPUT to the INPUT, however the supply current specified will be sank by the OUTPUT to supply the EM6152A.
- Note 2:** regulation is measured at constant junction temperature using pulse testing with a low duty cycle. Changes in OUTPUT voltage due to heating effects are covered in the specification for thermal regulation.
- Note 3:** the dropout voltage is defined as the INPUT to OUTPUT differential, measured with the input voltage equal to 5.0 V.
- Note 4:** output voltage temperature coefficient is defined as the change in OUTPUT voltage after a change in power dissipation is applied, excluding load or line regulation effects.
- Note 5:** the comparator and the voltage regulator have separate voltage references (see "Block Diagram" Fig. 3).
- Note 6:** the comparator reference is the power-down reset threshold. The power-on reset threshold equals the comparator reference voltage plus the comparator hysteresis (see Fig. 5).

Timing Characteristics

$V_{INPUT} = 13.5\text{ V}$, $I_L = 100\ \mu\text{A}$, $C_L = 10\ \mu\text{F} + 100\ \text{nF}$, $C_{INPUT} = 22\ \mu\text{F}$, $T_j = -40\text{ to } +125\text{ }^\circ\text{C}$, unless otherwise specified

Parameter	Symbol	Test Conditions	Min.	Typ.	Max.	Units
Propagation delay $\overline{\text{TCL}}$ to Output Pins	T_{DIDO}			250	500	ns
V_{IN} sensitivity	T_{SEN}	$V_{INhigh}=1.1xV_{REF}$, $V_{INlow}=0.9xV_{REF}$	0.5	3	15	μs
Watchdog Reset Pulse Period	T_{WDRP}	$\overline{\text{TCL}}$ inactive	$T_{CW} + T_{OW} + T_{WDR}$			ms
Version V30						
Power-on Reset delay	T_{POR}	$R_{OSC} = 116.9\ \text{k}\Omega \pm 1\%$	91.6	100	108.3	ms
Closed Window Time	T_{CW}		74	80	85.76	
Open Window Time	T_{OW}		37	40	42.88	
Watchdog Time	T_{WD}		92.5	100	107.2	
Watchdog Reset Pulse Width if no $\overline{\text{TCL}}$	T_{WDR}		2.25	2.5	2.75	
Version V50						
Power-on Reset delay	T_{POR}	$R_{OSC} = 121.6\ \text{k}\Omega \pm 1\%$	91.6	100	108.3	ms
Closed Window Time	T_{CW}		74	80	85.76	
Open Window Time	T_{OW}		37	40	42.88	
Watchdog Time	T_{WD}		92.5	100	107.2	
Watchdog Reset Pulse Width if no $\overline{\text{TCL}}$	T_{WDR}		2.25	2.5	2.75	
Version V53						
Power-on Reset delay	T_{POR}	$R_{OSC} = 23.2\ \text{k}\Omega \pm 1\%$	4.57	5.0	5.44	ms
Closed Window Time	T_{CW}		9.24	10	10.77	
Open Window Time	T_{OW}		18.48	20	21.54	
Watchdog Time	T_{WD}		18.48	20	21.54	
Watchdog Reset Pulse Width if no $\overline{\text{TCL}}$	T_{WDR}		0.56	0.625	0.69	
Version V55						
Power-on Reset delay	T_{POR}	$R_{OSC} = 107.5\ \text{k}\Omega \pm 1\%$	91.6	100	108.3	ms
Closed Window Time	T_{CW}		74	80	85.76	
Open Window Time	T_{OW}		37	40	42.88	
Watchdog Time	T_{WD}		92.5	100	107.2	
Watchdog Reset Pulse Width if no $\overline{\text{TCL}}$	T_{WDR}		2.25	2.5	2.75	
Watchdog Reset Pulse Width in Sleep Mode	T_{WDRS}	R_{OSC} off; $R_{INT}=1\text{M}\Omega$	2.8	3.2	3.6	
Watchdog Reset Pulse Period in Sleep Mode	T_{WDRPS}	$\overline{\text{TCL}}$ inactive	750	1100	1450	

Table 4

For different values of T_{WD} and R_{OSC} , see figures 9 to 12.

Timing Waveforms

Watchdog Timeout Period

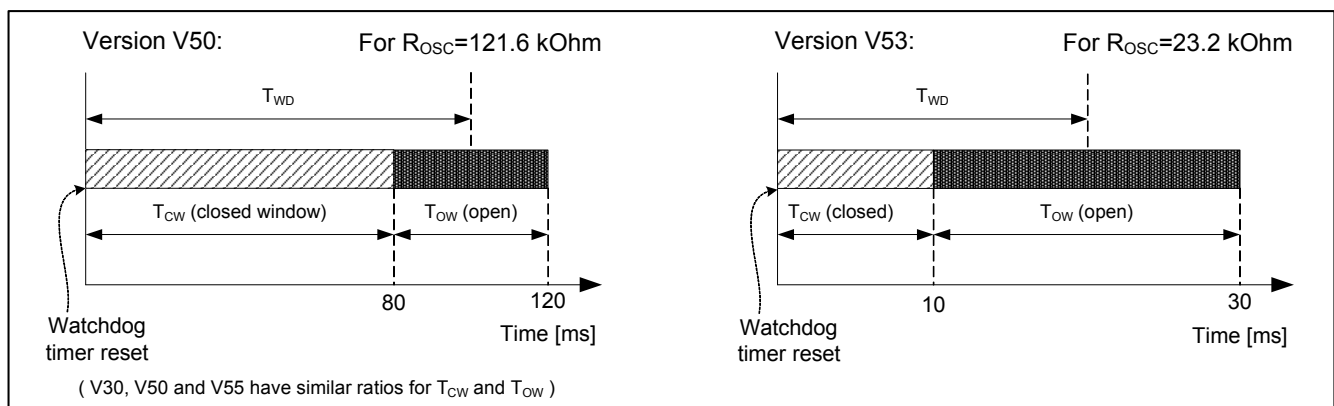


Fig. 4

Voltage Monitoring

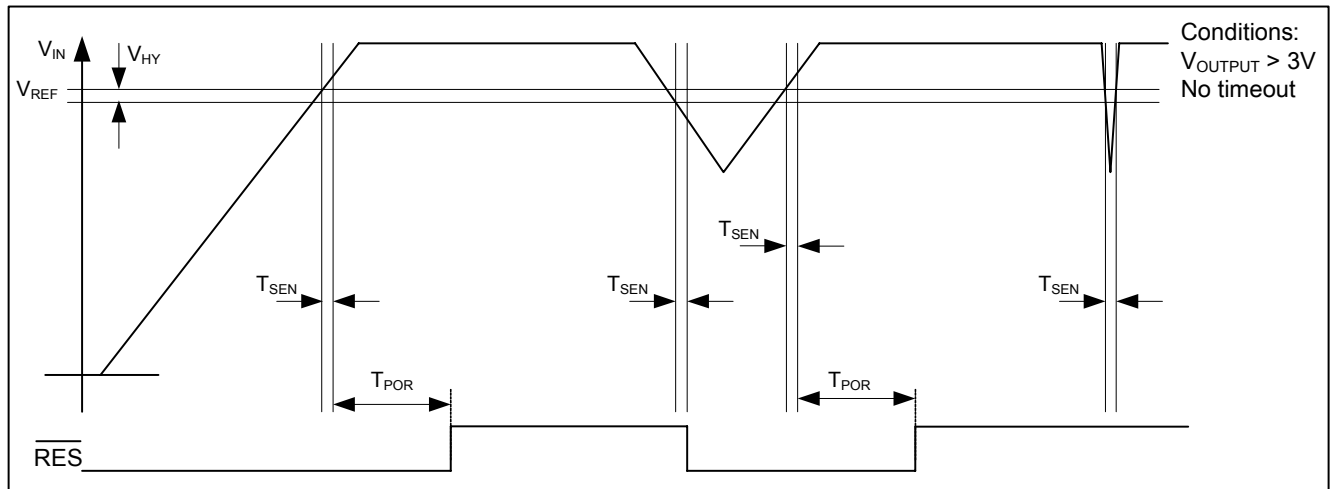


Fig. 5

Timer Reaction

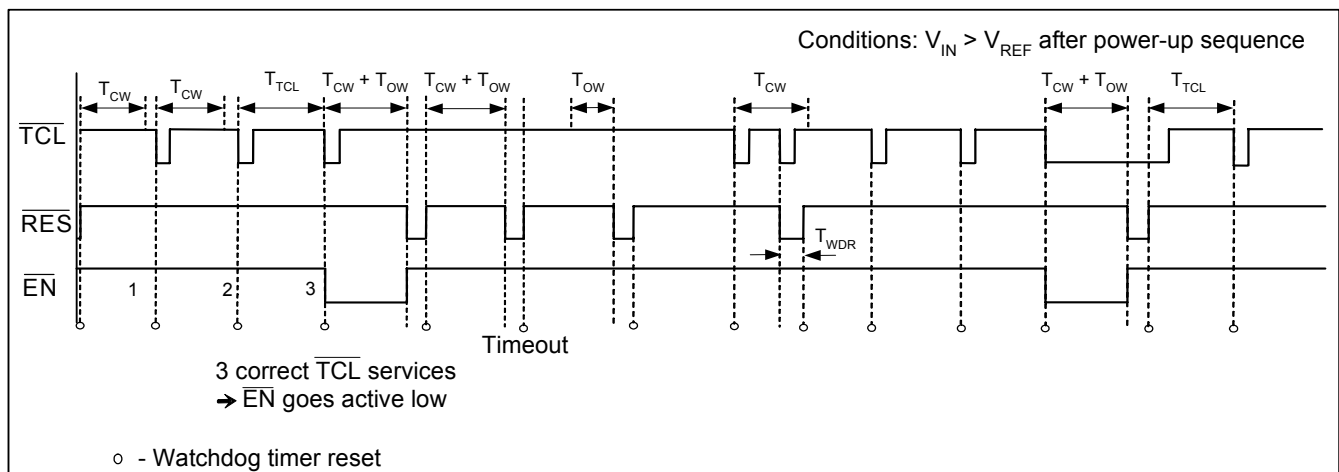


Fig. 6

Combined Voltage and Timer Reaction

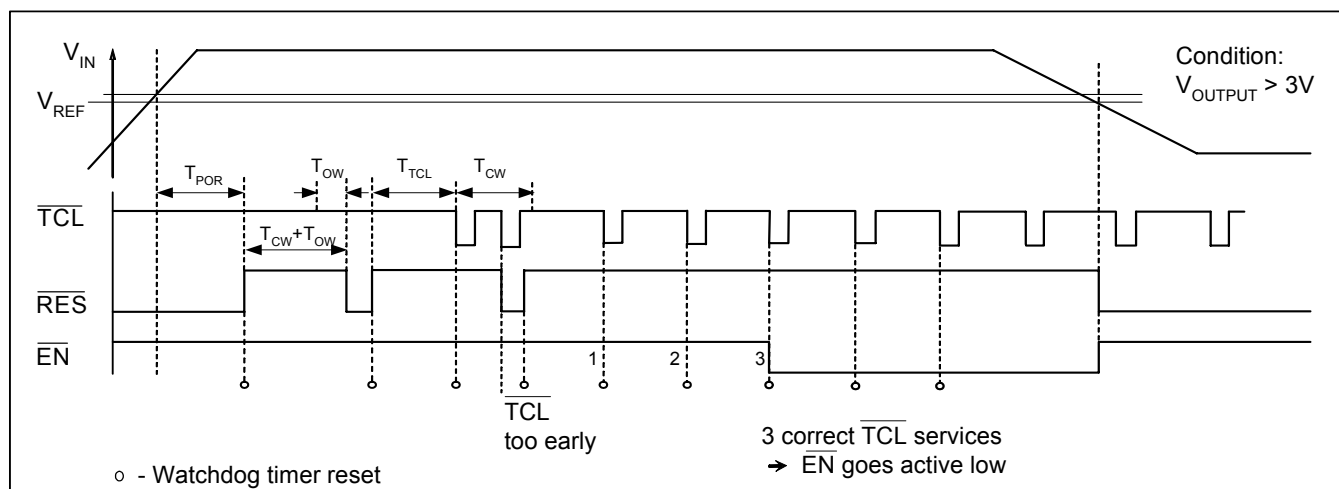


Fig. 7

Functional Description

V_{IN} Monitoring

The power-on reset and the power-down reset are generated as a response to the external voltage level applied on the V_{IN} input. The threshold voltage at which reset is asserted or released (V_{RESET}) is determined by the external voltage divider between V_{DD} and V_{SS}, as shown on Fig. 8. A part of V_{DD} is compared to the internal voltage reference. To determine the values of the divider, the leakage current at V_{IN} must be taken into account as well as the current consumption of the divider itself. Low resistor values will need more current, but high resistor values will make the reset threshold less accurate at high temperature, due to a possible leakage current at the V_{IN} input. The sum of the two resistors (R₁ + R₂) should stay below 500 kΩ. The formula is:

$$V_{RESET} = V_{REF} \times (1 + R_1/R_2).$$

Example: choosing R₁ = 200 kΩ and R₂ = 100 kΩ gives V_{RESET} = 4.56 V (typical) for version V50 and V53.

At power-up the reset output (\overline{RES}) is held low (see Fig. 5). When V_{IN} becomes greater than V_{REF}, the \overline{RES} output is held low for an additional power-on-reset (POR) delay T_{POR} (defined with the external resistor connected at R_{OSC} pin). The T_{POR} delay prevents repeated toggling of \overline{RES} even if V_{DD} voltage drops out and recovers. The T_{POR} delay allows the microprocessor's crystal oscillator time to start and stabilize and ensures correct recognition of the reset signal to the microprocessor.

The \overline{RES} output goes active low generating the power-down reset whenever V_{IN} falls below V_{REF}. The sensitivity or reaction time of the internal comparator to the voltage level on V_{IN} is typically 3 μs.

Timer Programming

The on-chip oscillator allows the user to adjust the power-on reset (POR) delay T_{POR} and the watchdog time T_{WD} by changing the resistor value of the external resistor R_{OSC} connected between the pin R_{OSC} and V_{SS} (see Fig. 8). The closed and open window times (T_{CW} and T_{OW}) as well as the watchdog reset pulse width (T_{WDR}), which are T_{TCL} dependent, will vary accordingly. The watchdog time T_{WD} can be obtained with figures 9 to 12 or with the Excel application [EM6151ResCalc.xls](#) available on EM website. T_{POR} is equal to T_{WD} with the minimum and maximum tolerances increased by 1% (For Version 53, T_{POR} is one fourth of T_{WD}).

Note that the current consumption increases as the frequency increases.

Voltage Regulator

The EM6152A has a 5 V, 150 mA, low dropout voltage regulator. The low supply current makes the EM6152A particularly suitable for automotive systems which remain continuously powered. The input voltage range is 4 V to 40 V for operation and the input protection includes both reverse battery (42 V below ground) and load dump (positive transients up to 45 V). There is no reverse current flow from the OUTPUT to the INPUT when the INPUT equals V_{SS}. This feature is important for systems which need to implement (with capacitance) a minimum power supply hold-up time in the event of power failure. To achieve

good load regulation a 10 μF capacitor (or greater) is needed on the INPUT (see Fig. 8). Tantalum or aluminum electrolytic are adequate for the 10 μF capacitor; film types will work but are relatively expensive. Many aluminum electrolytic have electrolytes that freeze at about -30°C, so tantalums are recommended for operation below -25°C. The important parameters of the 10 μF capacitor are an effective series resistance of lower than 4 Ω and a resonant frequency above 500 kHz.

A 10 μF capacitor (or greater) and a 100 nF capacitor are required on the OUTPUT to prevent oscillations due to instability. The specification of the 10 μF capacitor is as per the 10 μF capacitor on the INPUT (see previous paragraph).

The EM6152A will remain stable and in regulation with no external load and the dropout voltage is typically constant as the input voltage fall below its minimum level (see Table 2). These features are especially important in CMOS RAM keep-alive applications.

Power Dissipation

Care must be taken not to exceed the maximum junction temperature (+125°C). The power dissipation within the EM6152A is given by the formula:

$$P_{TOTAL} = (V_{INPUT} - V_{OUTPUT}) \times I_{OUTPUT} + (V_{INPUT}) \times I_{SS}$$

The maximum continuous power dissipation at a given temperature can be calculated using the formula:

$$P_{MAX} = (125^\circ\text{C} - T_A) / R_{th(j-a)}$$

where R_{th(j-a)} is the thermal resistance from the junction to the ambient and is specified in Table 2. Note that R_{th(j-a)} given in Table 2 assumes that the package is soldered to a PCB (see figure 16). The above formula for maximum power dissipation assumes a constant load (i.e. >100 s). The transient thermal resistance for a single pulse is much lower than the continuous value.

CAN-Bus Sleep Mode Detector (version 55)

When the microcontroller goes into a standby mode, it implies that it does not send any pulses on the \overline{TCL} input of the EM6152. After three reset pulse periods (T_{CW} + T_{OW} + T_{WDR}) on the \overline{RES} output, the circuit switches on an internal resistor of 1 MΩ, and it will have a reset pulse of typically 3 ms every 1 second on the \overline{RES} output. When a \overline{TCL} edge (rising or falling) appears on the \overline{TCL} input or the power supply goes down and up, the circuit switches to the R_{OSC}.

Watchdog Timeout Period Description

The watchdog timeout period is divided into two periods, a closed window period (T_{CW}) and an open window period (T_{OW}), see Fig. 4. If no pulse is applied on the \overline{TCL} input during the open window period T_{OW}, the \overline{RES} output goes low for a time T_{WDR}. When a pulse is applied on the \overline{TCL} input, the cycle is restarted with a close window period.

For example if T_{WD} = T_{POR} = 100ms, T_{CW} = 80 ms, T_{OW} = 40ms and T_{WDR} = 2.5ms.

When V_{IN} recovers after a drop below V_{REF}, the pad \overline{RES} is set low for the time T_{POR} during which any \overline{TCL} activation is disabled.

Timer Clearing and $\overline{\text{RES}}$ Action

The watchdog circuit monitors the activity of the processor. If the user’s software does not send a pulse to the $\overline{\text{TCL}}$ input within the programmed open window timeout period a short watchdog $\overline{\text{RES}}$ pulse is generated which is equal to T_{WDR} (see Fig. 6).

With the open window constraint, new security is added to conventional watchdogs by monitoring both software cycle time and execution. Should software clear the watchdog too quickly (incorrect cycle time) or too slowly (incorrect execution) it will cause the system to be reset. If software is stuck in a loop which includes the routine to clear the watchdog then a conventional watchdog would not make a system reset even though the software is malfunctioning; the circuit would make a system reset because the watchdog would be cleared too quickly.

If no $\overline{\text{TCL}}$ signal is applied before the closed and open windows expire, $\overline{\text{RES}}$ will start to generate square waves of period $T_{\text{WDRP}} = T_{\text{CW}} + T_{\text{OW}} + T_{\text{WDR}}$. The watchdog will remain in this state until the next $\overline{\text{TCL}}$ falling edge appears during an open window, or until a fresh power-up sequence. The system enable output, $\overline{\text{EN}}$, can be used to prevent critical control functions being activated in the event of the system going into this failure mode (see section “Enable- $\overline{\text{EN}}$ Output”).

The $\overline{\text{RES}}$ output must be pulled up to V_{OUTPUT} even if the output is not used by the system (see Fig 8).

Combined Voltage and Timer Action

The combination of voltage and timer actions is illustrated by the sequence of events shown in Fig. 6. On power-up, when the voltage at V_{IN} reaches V_{REF} , the power-on-reset, POR, delay is initialized and holds $\overline{\text{RES}}$ active for the time

of the POR delay. A $\overline{\text{TCL}}$ pulse will have no effect until this power-on-reset delay is completed. When the risk exists that $\overline{\text{TCL}}$ temporarily floats, e.g. during T_{POR} , a pull-up to V_{OUTPUT} is required on that pin. After the POR delay has elapsed, $\overline{\text{RES}}$ goes inactive and the watchdog timer starts acting. If no $\overline{\text{TCL}}$ pulse occurs, $\overline{\text{RES}}$ goes active low for a short time T_{WDR} after each closed and open window period. A $\overline{\text{TCL}}$ pulse coming during the open window clears the watchdog timer. When the $\overline{\text{TCL}}$ pulse occurs too early (during the closed window), $\overline{\text{RES}}$ goes active and a new timeout sequence starts. A voltage drop below the V_{REF} level for longer than typically $3\mu\text{s}$ overrides the timer and immediately forces $\overline{\text{RES}}$ active and $\overline{\text{EN}}$ inactive. Any further $\overline{\text{TCL}}$ pulse has no effect until the next power-up sequence has completed.

Enable - $\overline{\text{EN}}$ Output

The system enable output, $\overline{\text{EN}}$, is inactive always when $\overline{\text{RES}}$ is active and remains inactive after a $\overline{\text{RES}}$ pulse until the watchdog is serviced correctly 3 consecutive times (i.e. the $\overline{\text{TCL}}$ pulse must come in the open window). After three consecutive services of the watchdog with $\overline{\text{TCL}}$ during the open window, the $\overline{\text{EN}}$ goes active low.

A malfunctioning system would be repeatedly reset by the watchdog. In a conventional system critical motor controls could be energized each time reset goes inactive (time allowed for the system to restart) and in this way the electrical motors driven by the system could function out of control. The circuit prevents the above failure mode by using the $\overline{\text{EN}}$ output to disable the motor controls until software has successfully cleared the watchdog three times (i.e. the system has correctly re-started after a reset condition).

Typical Application

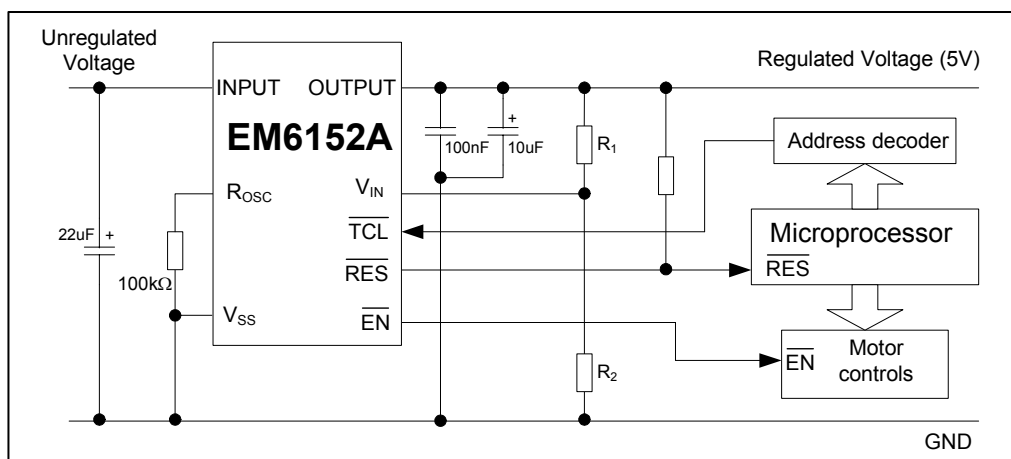


Fig. 8

The important parameters of the 10 μF input capacitor are an effective series resistance lower than 4 Ω and a resonant frequency above 500 kHz.

V30 R_{OSC} Coefficient versus T_{WD} at V_{DD}= 5.0V and T_j=-40 to +125°C

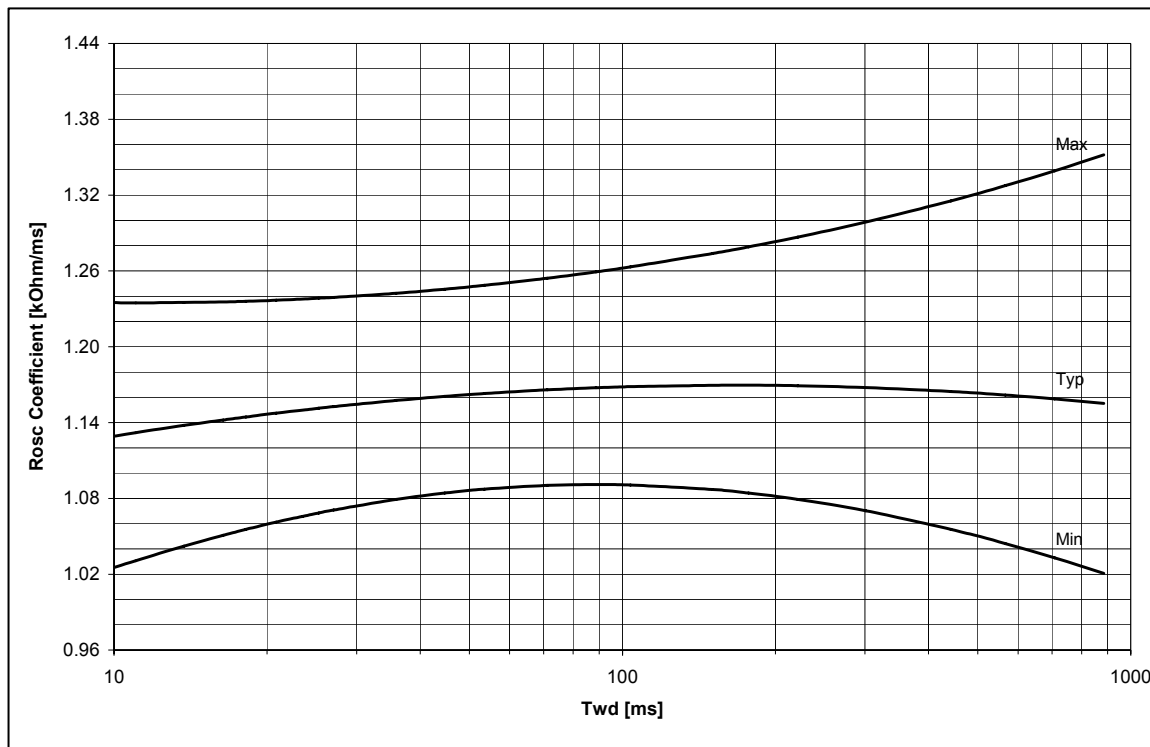


Fig. 9

V50 R_{OSC} Coefficient versus T_{WD} at V_{DD}= 5.0V and T_j=-40 to +125°C

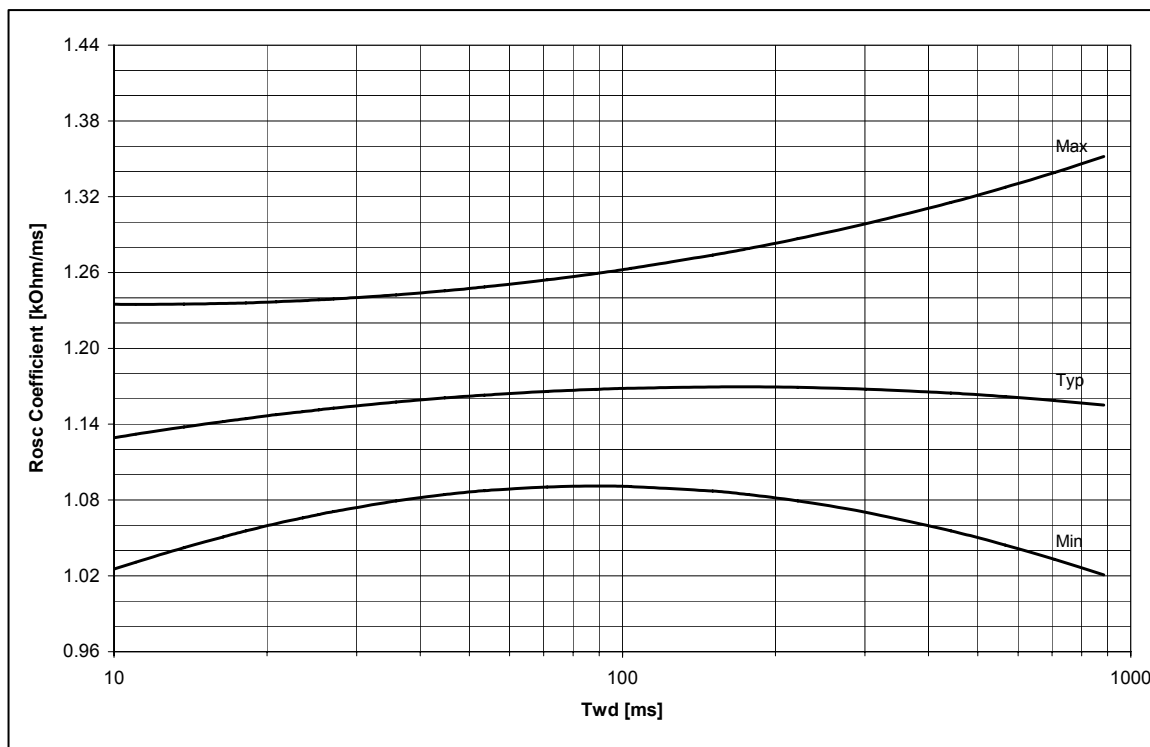


Fig. 10

V53 R_{OSC} Coefficient versus T_{WD} at V_{DD}= 5.0V and T_j=-40 to +125°C

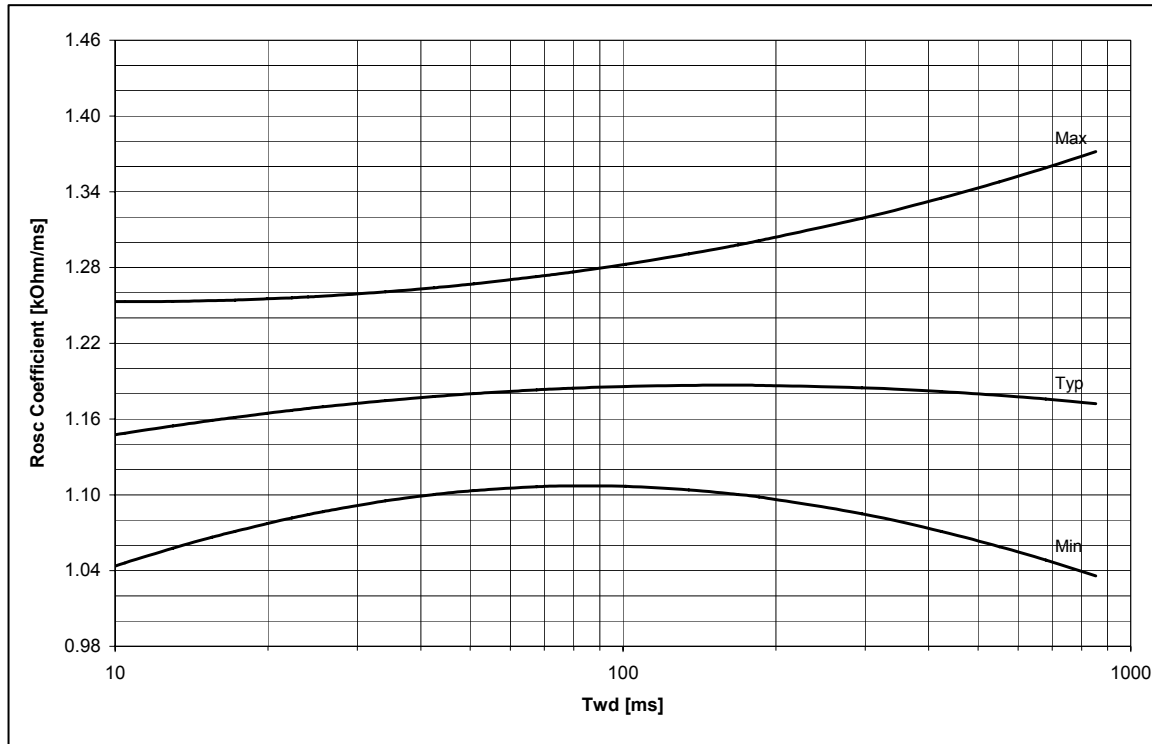


Fig. 11

V55 R_{OSC} Coefficient versus T_{WD} at V_{DD}= 5.0V and T_j=-40 to +125°C

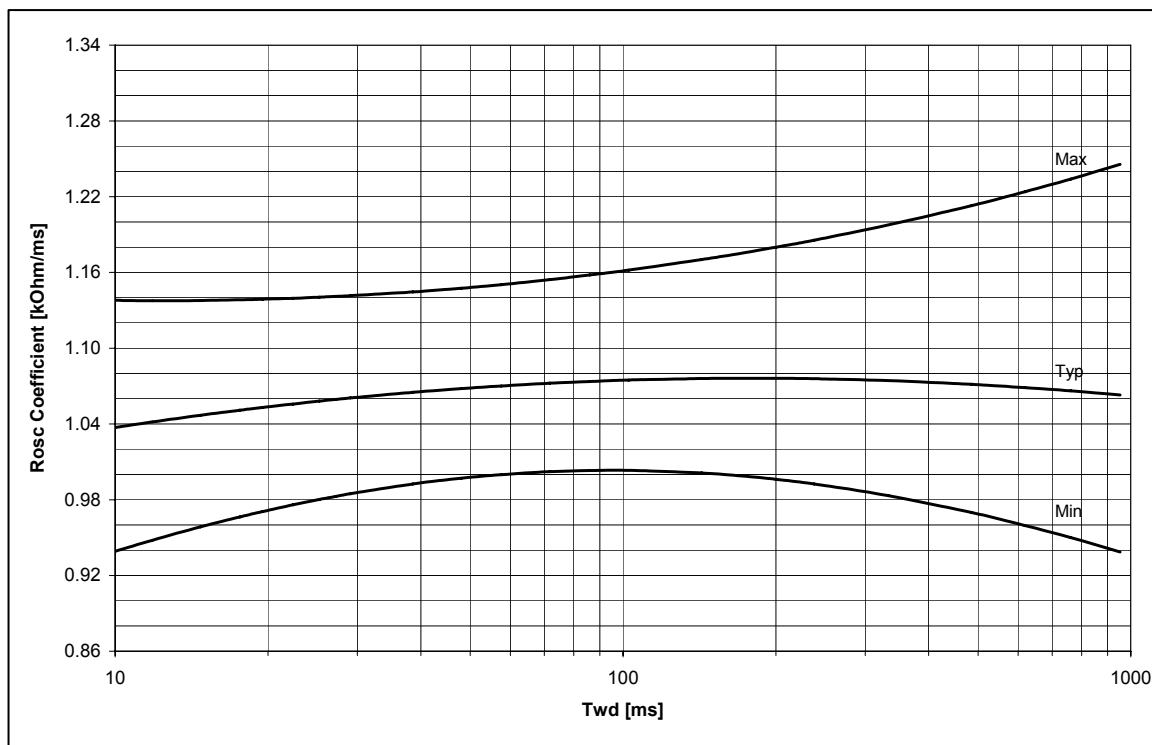


Fig. 12

Typical maximum OUTPUT current versus INPUT voltage

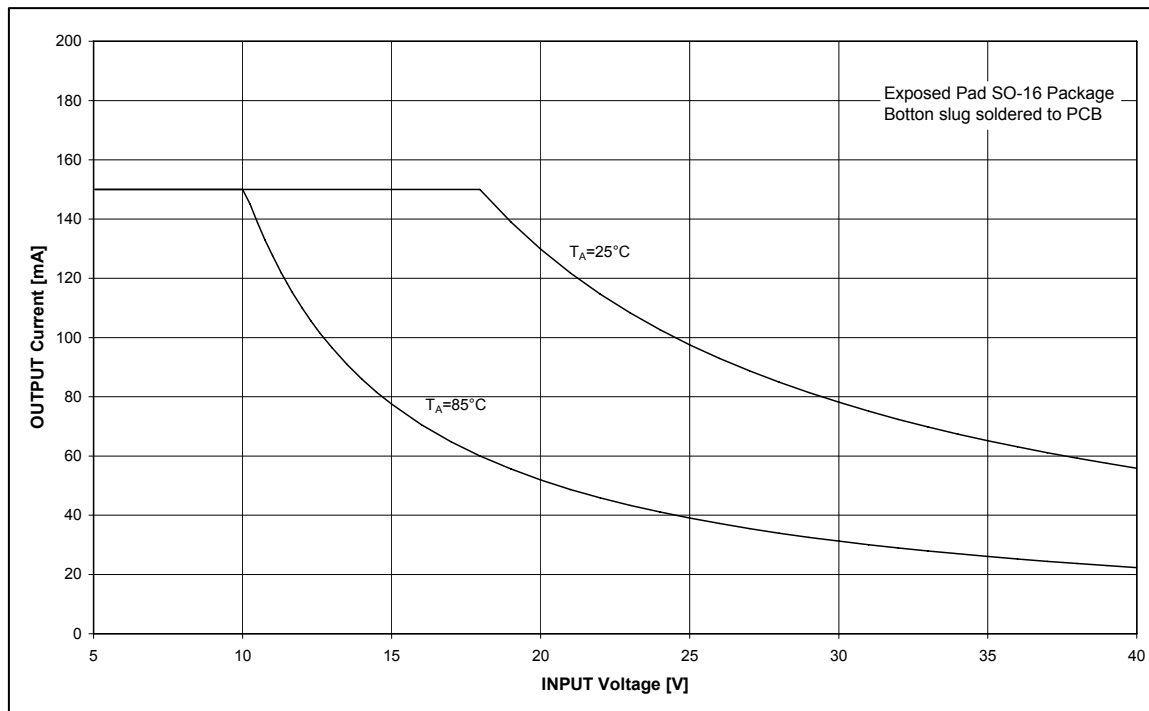


Fig. 13

Package Information

Dimensions of 8-pin SOIC Package

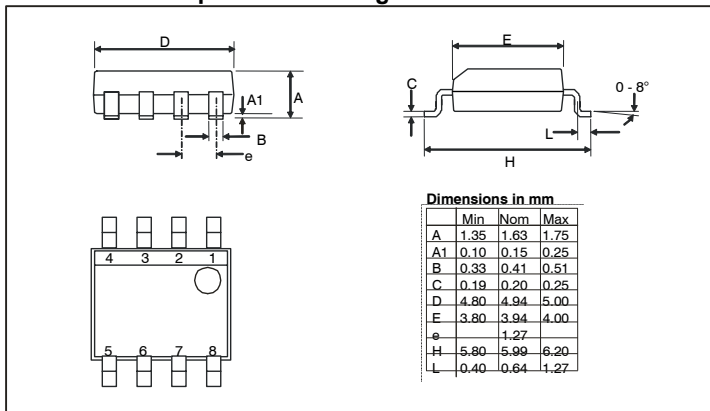


Fig. 14

Dimensions of Exposed Pad SO-16 Package

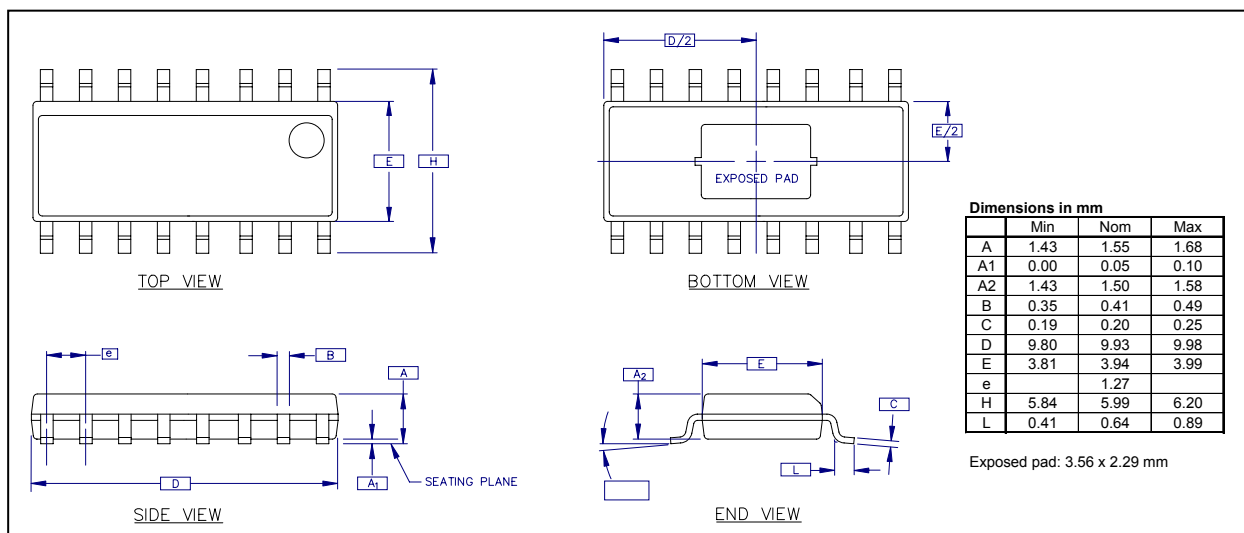


Fig. 15

Dual Layer PCB

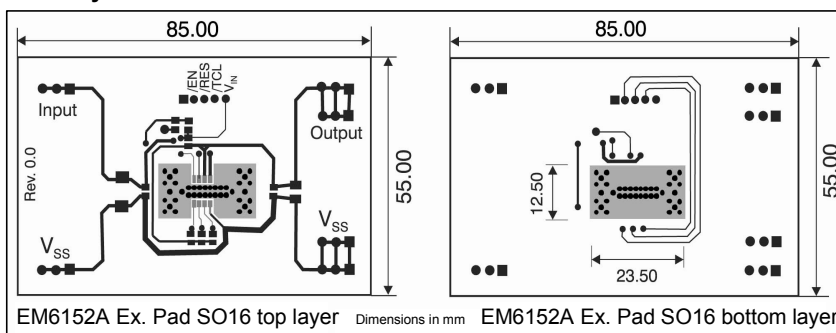


Fig. 16

EM Microelectronic-Marín SA (EM) makes no warranty for the use of its products, other than those expressly contained in the Company's standard warranty which is detailed in EM's General Terms of Sale located on the Company's web site. EM assumes no responsibility for any errors which may appear in this document, reserves the right to change devices or specifications detailed herein at any time without notice, and does not make any commitment to update the information contained herein. No licenses to patents or other intellectual property of EM are granted in connection with the sale of EM products, expressly or by implications. EM's products are not authorized for use as components in life support devices or systems.

SUBJECT TO CHANGE WITHOUT NOTICE