

# SZ153D - SZ15D0

# SURFACE MOUNT SILICON ZENER DIODES

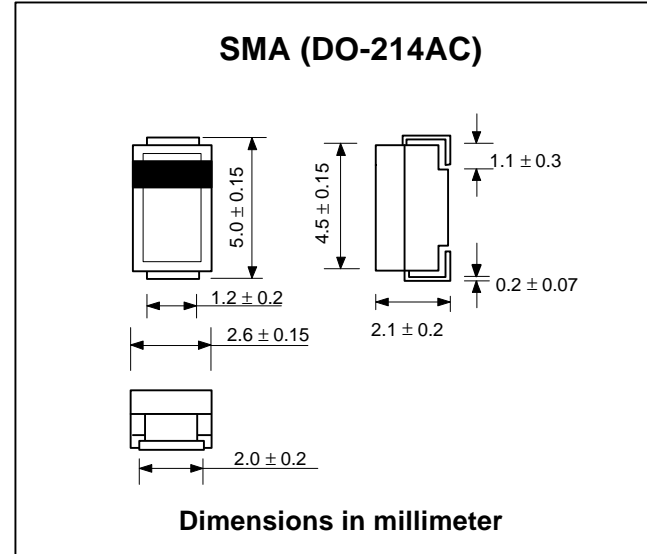
**V<sub>Z</sub> : 3.3 - 200 Volts**  
**P<sub>D</sub> : 1 Watt**

## FEATURES :

- \* Complete Voltage Range 3.3 to 200 Volts
- \* High peak reverse power dissipation
- \* High reliability
- \* Low leakage current

## MECHANICAL DATA

- \* Case : SMA (DO-214AC) Molded plastic
- \* Epoxy : UL94V-O rate flame retardant
- \* Lead : Lead formed for Surface mount
- \* Polarity : Color band denotes cathode end
- \* Mounting position : Any
- \* Weight : 0.064 gram



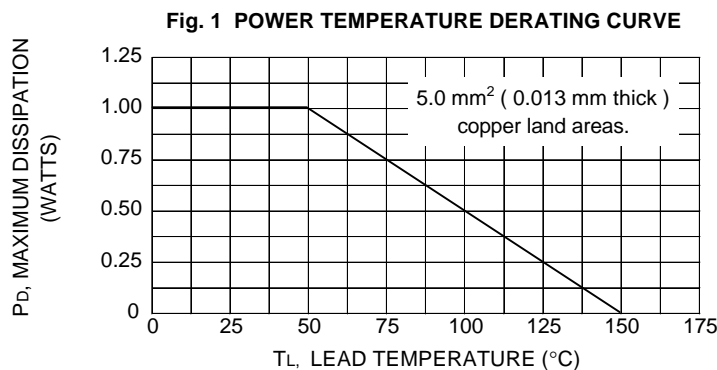
## MAXIMUM RATINGS

Rating at 25 °C ambient temperature unless otherwise specified

Rating	Symbol	Value	Unit
DC Power Dissipation at T <sub>L</sub> = 50 °C (Note1)	P <sub>D</sub>	1.0	W
Maximum Forward Voltage at I <sub>F</sub> = 200 mA	V <sub>F</sub>	1.2	V
Junction Temperature Range	T <sub>J</sub>	- 55 to + 150	°C
Storage Temperature Range	T <sub>S</sub>	- 55 to + 150	°C

### Note :

(1) T<sub>L</sub> = Lead temperature at 5.0 mm<sup>2</sup> ( 0.013 mm thick ) copper land areas.



## ELECTRICAL CHARACTERISTICS

Rating at 25 °C ambient temperature unless otherwise specified

TYPE	Nominal Zener Voltage		Maximum Zener Impedance			Maximum Reverse Leakage Current		Maximum DC Zener Current
	Vz @ IZT	IZT	ZZT @ IZT	ZZK @ IZK	IZK	IR @ VR	IZM	
	(V)	(mA)	(Ω)	(Ω)	(mA)	(μA)	(V)	(mA)
SZ153D	3.3	76.0	10	400	1.0	100	1.0	276
SZ153G	3.6	69.0	10	400	1.0	100	1.0	252
SZ153J	3.9	64.0	9.0	400	1.0	50	1.0	234
SZ154D	4.3	58.0	9.0	400	1.0	10	1.0	217
SZ154H	4.7	53.0	8.0	500	1.0	10	1.0	193
SZ155B	5.1	49.0	7.0	550	1.0	10	1.0	178
SZ155G	5.6	45.0	5.0	600	1.0	10	2.0	162
SZ156C	6.2	41.0	2.0	700	1.0	10	3.0	146
SZ156I	6.8	37.0	3.5	700	1.0	50	4.0	133
SZ157F	7.5	34.0	4.0	700	0.5	50	5.0	121
SZ158C	8.2	31.0	4.5	700	0.5	50	6.0	110
SZ159B	9.1	28.0	5.0	700	0.5	50	7.0	100
SZ1510	10	25.0	7.0	700	0.25	50	7.6	91
SZ1511	11	23.0	8.0	700	0.25	50	8.4	83
SZ1512	12	21.0	9.0	700	0.25	5.0	9.1	76
SZ1513	13	19.0	10	700	0.25	5.0	9.9	69
SZ1515	15	17.0	14	700	0.25	5.0	11.4	61
SZ1516	16	15.5	16	700	0.25	5.0	12.2	57
SZ1518	18	14.0	20	750	0.25	5.0	13.7	50
SZ1520	20	12.5	22	750	0.25	5.0	15.2	45
SZ1522	22	11.5	23	750	0.25	5.0	16.7	41
SZ1524	24	10.5	25	750	0.25	5.0	18.2	38
SZ1527	27	9.5	35	750	0.25	5.0	20.6	34
SZ1530	30	8.5	40	1000	0.25	5.0	22.8	30
SZ1533	33	7.5	45	1000	0.25	5.0	25.1	27
SZ1536	36	7.0	50	1000	0.25	5.0	27.4	25
SZ1539	39	6.5	60	1000	0.25	5.0	29.7	23
SZ1543	43	6.0	70	1500	0.25	5.0	32.7	22
SZ1547	47	5.5	80	1500	0.25	5.0	35.8	19
SZ1551	51	5.0	95	1500	0.25	5.0	38.8	18
SZ1556	56	4.5	110	2000	0.25	5.0	42.6	16
SZ1562	62	4.0	125	2000	0.25	5.0	47.1	14
SZ1568	68	3.7	150	2000	0.25	5.0	51.7	13
SZ1575	75	3.3	175	2000	0.25	5.0	56.0	12
SZ1582	82	3.0	200	3000	0.25	5.0	62.2	11
SZ1591	91	2.8	250	3000	0.25	5.0	69.2	10
SZ15B0	100	2.5	350	3000	0.25	5.0	76.0	9.0
SZ15B1	110	2.3	450	4000	0.25	5.0	83.6	8.6
SZ15B2	120	2.0	550	4500	0.25	5.0	91.2	7.8
SZ15B3	130	1.9	700	5000	0.25	5.0	98.8	7.0
SZ15B5	150	1.7	1000	6000	0.25	5.0	114.0	6.4
SZ15B6	160	1.6	1100	6500	0.25	5.0	121.6	5.8
SZ15B8	180	1.4	1200	7000	0.25	5.0	136.8	5.2
SZ15D0	200	1.2	1500	8000	0.25	5.0	152.0	4.7

**Note :**

- (1) The type number listed have a standard tolerance on the nominal zener voltage of  $\pm 5\%$ ,
- (2) "SZ" will be omitted in marking on the diode.