


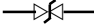
DESCRIPTION

The CENTRAL SEMICONDUCTOR 1SMB5.0CA Series types are Surface Mount Bi-Directional Glass Passivated Junction Transient Voltage Suppressors designed to protect voltage sensitive components from high voltage transients. **THIS DEVICE IS MANUFACTURED WITH A GLASS PASSIVATED CHIP FOR OPTIMUM RELIABILITY.**

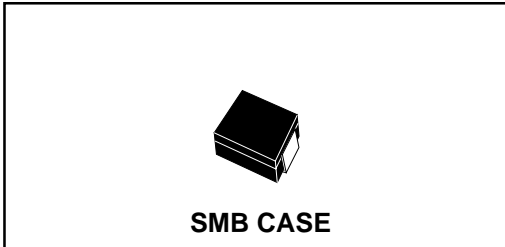
Note: For Uni-directional devices, please refer to the 1SMB5.0A Series data sheet.



**1SMB5.0CA
THRU
1SMB170CA**

——

**BI-DIRECTIONAL
GLASS PASSIVATED JUNCTION
TRANSIENT VOLTAGE SUPPRESSOR
600 WATTS, 5.0 THRU 170 VOLTS**



Specified by
STAND-OFF VOLTAGE

MAXIMUM RATINGS (T_A=25°C)

Peak Power Dissipation
Peak Forward Surge Current (JEDEC Method)
Operating and Storage
Junction Temperature

SYMBOL

UNITS

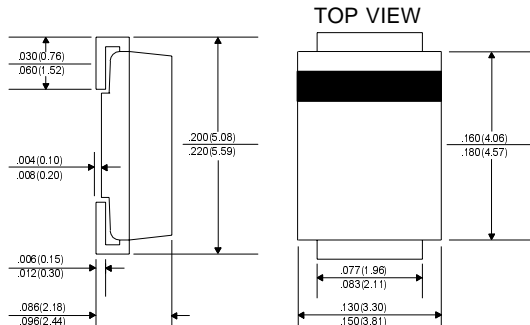
P _{DM}	600	W
I _{FSM}	100	A
T _J , T _{stg}	-65 to +150	°C

ELECTRICAL CHARACTERISTICS (T_A=25°C)

TYPE NO.	REVERSE STAND-OFF VOLTAGE	BREAKDOWN VOLTAGE			MAXIMUM REVERSE LEAKAGE @ V _{RWM}	MAXIMUM CLAMPING VOLTAGE @ I _{PPM}	MAXIMUM PEAK PULSE CURRENT	MARKING CODE
		V _{BR}		@ I _T				
		VOLTS						
		V _{RWM}	MIN	MAX				
VOLTS				μA	VOLTS	A		
1SMB5.0CA	5.0	6.40	7.25	10	1600	9.2	65.2	CKEC
1SMB6.0CA	6.0	6.67	7.67	10	1600	10.3	58.3	CKGC
1SMB6.5CA	6.5	7.22	8.30	10	1000	11.2	53.6	CKKC
1SMB7.0CA	7.0	7.78	8.95	10	400	12.0	50.0	CKMC
1SMB7.5CA	7.5	8.33	9.58	1.0	200	12.9	46.5	CKPC
1SMB8.0CA	8.0	8.89	10.23	1.0	100	13.6	44.1	CKRC
1SMB8.5CA	8.5	9.44	10.82	1.0	20	14.4	41.7	CKTC
1SMB9.0CA	9.0	10.0	11.5	1.0	10	15.4	39.0	CKVC
1SMB10CA	10	11.1	12.8	1.0	5.0	17.0	35.3	CKXC
1SMB11CA	11	12.2	14.0	1.0	5.0	18.2	33.0	CKZC
1SMB12CA	12	13.3	15.3	1.0	5.0	19.9	30.2	CLEC
1SMB13CA	13	14.4	16.5	1.0	5.0	21.5	27.9	CLGC

TYPE NO.	BREAKDOWN VOLTAGE				MAXIMUM REVERSE LEAKAGE @V _{RWM}	MAXIMUM CLAMPING VOLTAGE @I _{PPM}	MAXIMUM PEAK PULSE CURRENT	MARKING CODE
	REVERSE STAND-OFF VOLTAGE	V _{BR}		@I _T				
		VOLTS						
	V _{RWM}	MIN	MAX	mA				
VOLTS				μA	VOLTS	A		
1SMB14CA	14	15.6	17.9	1.0	5.0	23.2	25.8	CLKC
1SMB15CA	15	16.7	19.2	1.0	5.0	24.4	24.0	CLMC
1SMB16CA	16	17.8	20.5	1.0	5.0	26.0	23.1	CLPC
1SMB17CA	17	18.9	21.7	1.0	5.0	27.6	21.7	CLRC
1SMB18CA	18	20.0	23.3	1.0	5.0	29.2	20.5	CLTC
1SMB20CA	20	22.2	25.5	1.0	5.0	32.4	18.5	CLVC
1SMB22CA	22	24.4	28.0	1.0	5.0	35.5	16.9	CLXC
1SMB24CA	24	26.7	30.7	1.0	5.0	38.9	15.4	CLZC
1SMB26CA	26	28.9	33.2	1.0	5.0	42.1	14.2	CMEC
1SMB28CA	28	31.1	35.8	1.0	5.0	45.4	13.2	CMGC
1SMB30CA	30	33.3	38.3	1.0	5.0	48.4	12.4	CMKC
1SMB33CA	33	36.7	42.2	1.0	5.0	53.3	11.3	CMMC
1SMB36CA	36	40.0	46.0	1.0	5.0	58.1	10.3	CMPC
1SMB40CA	40	44.4	51.1	1.0	5.0	64.5	9.3	CMRC
1SMB43CA	43	47.8	54.9	1.0	5.0	69.4	8.6	CMTC
1SMB45CA	45	50.0	57.5	1.0	5.0	72.7	8.3	CMVC
1SMB48CA	48	53.3	61.3	1.0	5.0	77.4	7.7	CMXC
1SMB51CA	51	56.7	65.2	1.0	5.0	82.4	7.3	CMZC
1SMB54CA	54	60.0	69.0	1.0	5.0	87.1	6.9	CNEC
1SMB58CA	58	64.4	74.1	1.0	5.0	93.6	6.4	CNGC
1SMB60CA	60	66.7	76.7	1.0	5.0	96.8	6.2	CNKC
1SMB64CA	64	71.1	81.8	1.0	5.0	103	5.8	CNMC
1SMB70CA	70	77.8	89.5	1.0	5.0	113	5.3	CNPC
1SMB75CA	75	83.3	95.8	1.0	5.0	121	4.9	CNRC
1SMB78CA	78	86.7	99.7	1.0	5.0	126	4.7	CNTC
1SMB85CA	85	94.4	108.2	1.0	5.0	137	4.4	CNVC
1SMB90CA	90	100.0	115.5	1.0	5.0	146	4.1	CNXC
1SMB100CA	100	111.0	128.0	1.0	5.0	162	3.7	CNZC
1SMB110CA	110	122.0	140.5	1.0	5.0	177	3.4	CPEC
1SMB120CA	120	133.0	153.0	1.0	5.0	193	3.1	CPGC
1SMB130CA	130	144.0	165.5	1.0	5.0	209	2.9	CPKC
1SMB150CA	150	167.0	192.5	1.0	5.0	243	2.5	CPMC
1SMB160CA	160	178.0	205.0	1.0	5.0	259	2.3	CPPC
1SMB170CA	170	189.0	217.5	1.0	5.0	275	2.2	CPRC

All Dimensions in Inches (mm).



This datasheet has been download from:

www.datasheetcatalog.com

Datasheets for electronics components.