

500 mW LL-34 Hermetically Sealed Glass Fast Switching Diodes

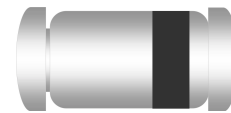

 SURFACE MOUNT
LL34

Absolute Maximum Ratings $T_A = 25^\circ\text{C}$ unless otherwise noted

Symbol	Parameter	Value	Units
P_D	Power Dissipation	500	mW
T_{STG}	Storage Temperature Range	-65 to +200	$^\circ\text{C}$
T_J	Operating Junction Temperature	+175	$^\circ\text{C}$
W_{IV}	Working Inverse Voltage	75	V
I_o	Average Rectified Current	150	mA
I_{FM}	Non-repetitive Peak Forward Current	450	mA
I_{FSURGE}	Peak Forward Surge Current	2	A

These ratings are limiting values above which the serviceability of the diode may be impaired.

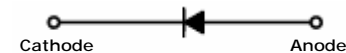
DEVICE MARKING DIAGRAM



Cathode Band Color : Black

Specification Features:

- Fast Switching Device ($T_{RR} < 4.0$ nS)
- LL-34 (Mini-MELF) Package
- Surface Device Type Mounting
- Hermetically Sealed Glass
- Compression Bonded Construction
- All external surfaces are corrosion resistant and leads are readily solderable
- 1st band indicates negative polarity



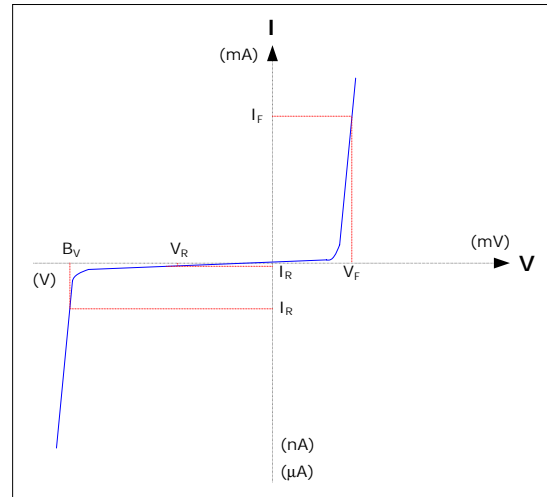
ELECTRICAL SYMBOL

Electrical Characteristics $T_A = 25^\circ\text{C}$ unless otherwise noted

Symbol	Parameter	Test Condition	Limits		Unit
			Min	Max	
B_V	Breakdown Voltage	$I_R = 100\mu\text{A}$	100		Volts
		$I_R = 5\mu\text{A}$	75		
I_R	Reverse Leakage Current	$V_R = 20\text{V}$		25	nA
		$V_R = 75\text{V}$		5	μA
V_F	Forward Voltage	TCLL4448, TCLL914B $I_F = 5\text{mA}$	0.62	0.72	Volts
		TCLL4148 $I_F = 10\text{mA}$		1.0	
		TCLL4448, TCLL914B $I_F = 100\text{mA}$		1.0	
T_{RR}	Reverse Recovery Time	$I_F = I_R = 10\text{mA}$ $R_L = 100\Omega$ $I_{RR} = 1\text{mA}$		4	nS
C	Capacitance	$V_R = 0\text{V}$, $f = 1\text{MHz}$		4	pF

Electrical Symbol Definition

Symbol	Parameter
B_V	Breakdown Voltage @ I_R
I_R	Reverse Leakage Current @ V_R
V_R	Reverse Voltage
I_F	Forward Current
V_F	Forward Voltage @ I_F

Typical Characteristics

Ordering Information

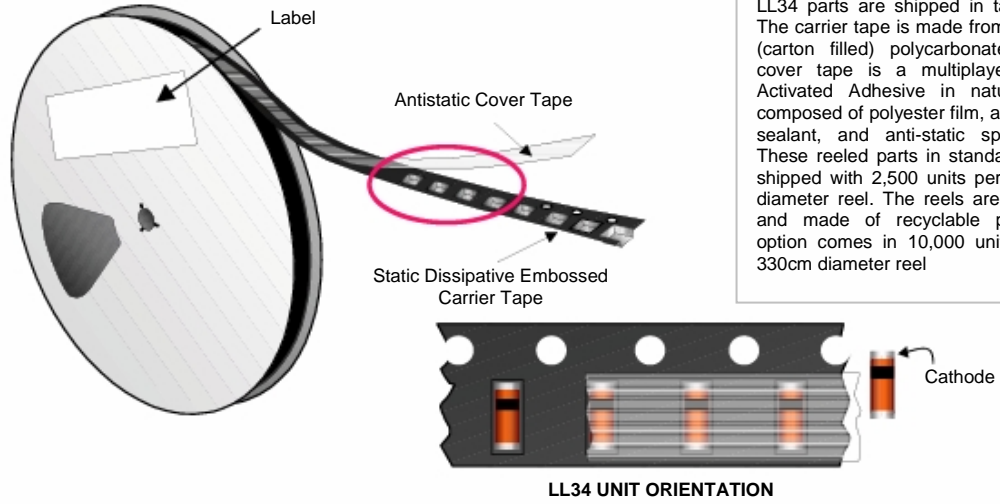
Pack Option	Package	Quantity
7" Reel	Tape and Reel	2,500
13" Reel	Tape and Reel	10,000
Others	(...contact Tak Cheong sales representatives)	

LL34 (Mini-MELF) Tape Packaging Standards

This standard practices for surface-mount tape packaging of leadless (Mini-MELF) components meets the requirements of EIA Standard RS-481-A.

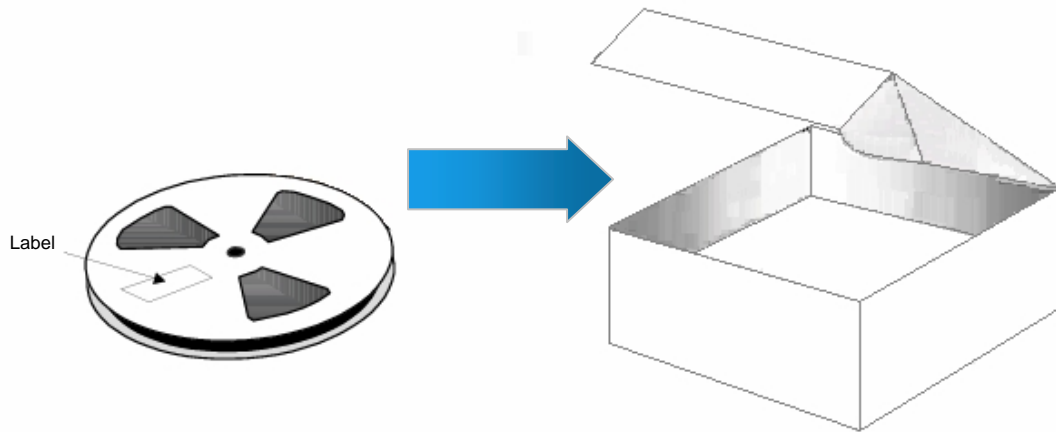
LL-34 (Mini-MELF) Tape & Reel Packaging Information

LL-34 Packaging Outline

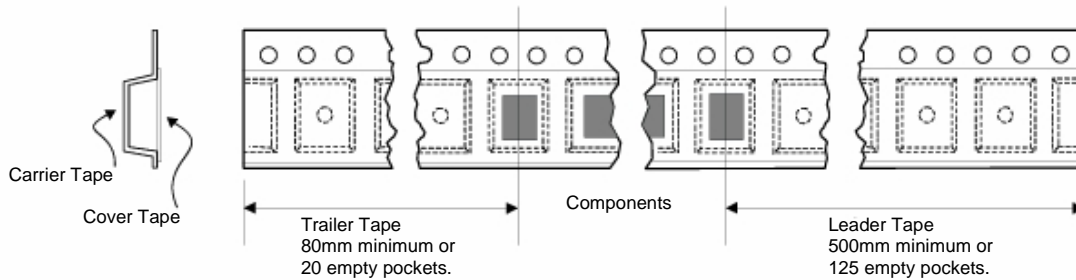


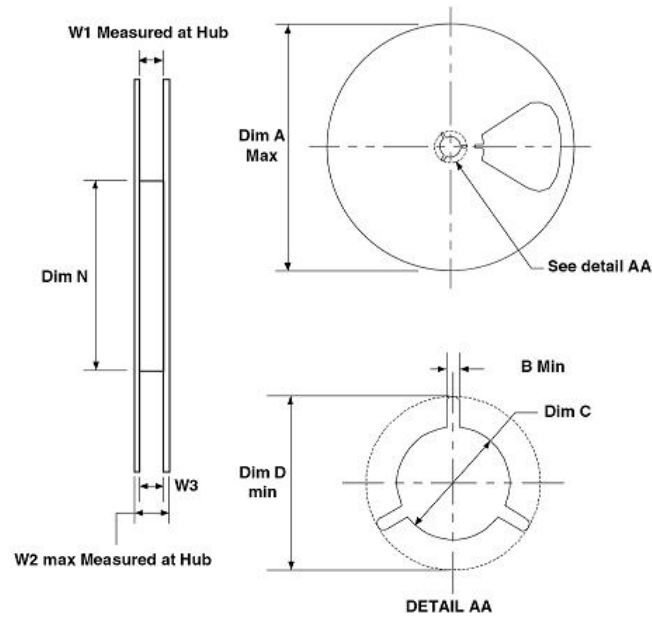
Packaging Description:

LL34 parts are shipped in tape and reel. The carrier tape is made from a dissipative (carbon filled) polycarbonate resin. The cover tape is a multiplayer film (Heat Activated Adhesive in nature) primarily composed of polyester film, adhesive layer, sealant, and anti-static sprayed agent. These reeled parts in standard option are shipped with 2,500 units per 7" or 178cm diameter reel. The reels are blue in color and made of recyclable plastic. Other option comes in 10,000 units per 13" or 330cm diameter reel



LL-34 Leader and Trailer

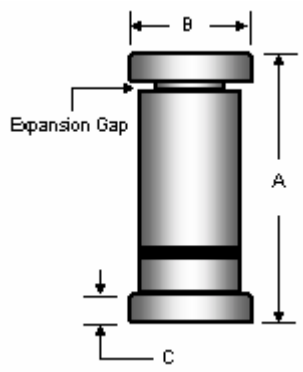


LL-34 (Mini-MELF) Tape & Reel Packaging Information
LL-34 Reel Outline


Dimensions are in millimeters

Tape Size	QTY Option	Dim A	Dim B	Dim C	Dim D	Dim N	W1	W2	W3
8mm	2,500	178	1.5	13	20.2	55	8.4	14.4	7.9 – 10.9
	10,000	330	1.5	13	20.2	100	8.4	14.4	7.9 – 10.9

Package Outline

Package	Case Outline																												
LL34	<div style="display: flex; align-items: center; justify-content: space-around;">  <table border="1" data-bbox="730 535 1437 829"> <thead> <tr> <th rowspan="3">DIM</th> <th colspan="4">LL-34</th> </tr> <tr> <th colspan="2">Millimeters</th> <th colspan="2">Inches</th> </tr> <tr> <th>Min</th> <th>Max</th> <th>Min</th> <th>Max</th> </tr> </thead> <tbody> <tr> <td>A</td> <td>3.302</td> <td>3.505</td> <td>0.130</td> <td>0.138</td> </tr> <tr> <td>B</td> <td>1.397</td> <td>1.499</td> <td>0.055</td> <td>0.059</td> </tr> <tr> <td>C</td> <td>0.350</td> <td>0.500</td> <td>0.014</td> <td>0.020</td> </tr> </tbody> </table> </div>	DIM	LL-34				Millimeters		Inches		Min	Max	Min	Max	A	3.302	3.505	0.130	0.138	B	1.397	1.499	0.055	0.059	C	0.350	0.500	0.014	0.020
DIM	LL-34																												
	Millimeters		Inches																										
	Min	Max	Min	Max																									
A	3.302	3.505	0.130	0.138																									
B	1.397	1.499	0.055	0.059																									
C	0.350	0.500	0.014	0.020																									

Notes:

1. LL34 polarity denoted by a band.
2. 'Expansion Gap' has no relation to the location of polarity.