

### Model name

# VT 15-522

Name of series

output voltage code

Output power : 3 types in 15W ~ 60W

522: 5V, +12V, -12V  
5FF: 5V, +15V, -15V  
525: 5V, +12V, -5V

### Features

- Triple output  
9 models, 15W, 30W, 60W
- Wide input voltage range: 85 ~ 132VAC
- Isolation between CH1 (5V) and  $\pm$ CH
- Compact, low profile and board type
- 1 year warranty

### Specifications

<b>1. Input voltage range</b>	85 ~ 132VAC (47 ~ 440Hz), 110 ~ 175VDC
<b>2. Output voltage range</b>	CH1: +5V (5.0 ~ 5.25V), CH2: Fixed, CH3: Fixed
<b>3. Cooling</b>	Convection cooling
<b>4. Operating ambient temperature (Standard mounting)</b>	-10 ~ +60°C Output derating -10 ~ +50°C : 100%, +60°C : 70%
<b>5. Withstand voltage</b>	Input-output: 2kVAC, Input-FG: 2kVAC, Output-chassis: 500VAC for 1 min.
<b>6. Safety standard</b>	Approved by UL1950-D3  and CSA1402C
<b>7. EMI</b>	Conforms to VCCI-class B and FCC class B
<b>8. Functions</b>	Over voltage protection (CH1), Over current protection

### Product lineup

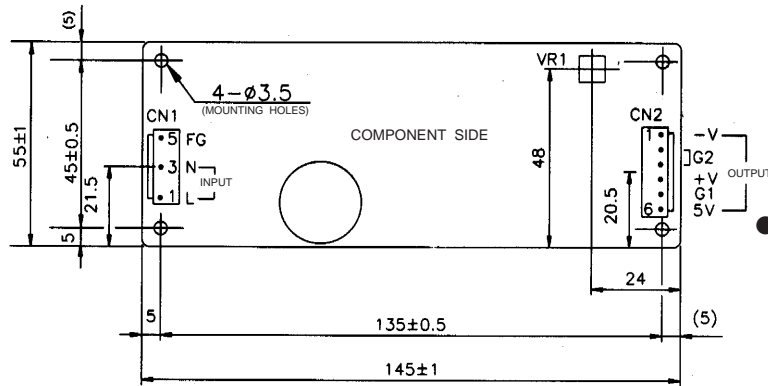
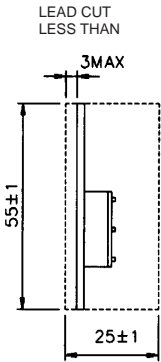
Model name	CH	Nominal output voltage	Max. output current	Total max. output power	UL	CSA	
VT15	VT15-522	CH1	5V	0.2~2A	16W	○	○
		CH2	+12V	0.3A	16W	○	○
		CH3	-12V	0.2A	16W	○	○
	VT15-5FF	CH1	5V	0.2~2A	17.5W	○	○
		CH2	+15V	0.3A	17.5W	○	○
		CH3	-15V	0.2A	17.5W	○	○
	VT15-525	CH1	5V	0.2~2A	14.6W	○	○
		CH2	+12V	0.3A	14.6W	○	○
		CH3	-5V	0.2A	14.6W	○	○
VT30	VT30-522	CH1	5V	0.3~3A	33W	○	○
		CH2	+12V	1.2A	33W	○	○
		CH3	-12V	0.3A	33W	○	○
	VT30-5FF	CH1	5V	0.3~3A	34.5W	○	○
		CH2	+15V	1A	34.5W	○	○
		CH3	-15V	0.3A	34.5W	○	○
	VT30-525	CH1	5V	0.3~3A	30.9W	○	○
		CH2	+12V	1.2A	30.9W	○	○
		CH3	-5V	0.3A	30.9W	○	○
VT60	VT60-522	CH1	5V	0.5~5A	55W	○	○
		CH2	+12V	2A	55W	○	○
		CH3	-12V	0.5A	55W	○	○
	VT60-5FF	CH1	5V	0.5~5A	56.5W	○	○
		CH2	+15V	1.6A	56.5W	○	○
		CH3	-15V	0.5A	56.5W	○	○
	VT60-525	CH1	5V	0.5~5A	51.5W	○	○
		CH2	+12V	2A	51.5W	○	○
		CH3	-5V	0.5A	51.5W	○	○

● Contact us about delivery before ordering.

○ : Safety standard approved

# VT-SERIES

## VT15



● Recommended Noise Filter

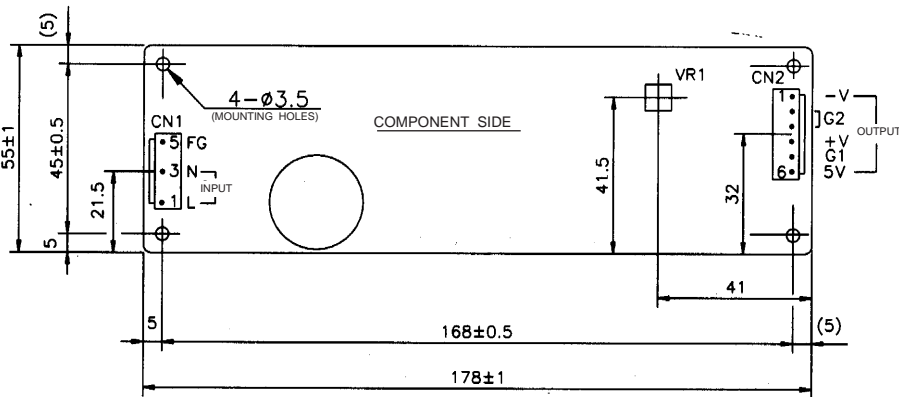
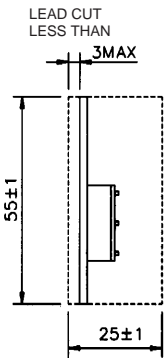
MAW-1201-22



P134

(Unit: mm)

## VT30



● Recommended Noise Filter

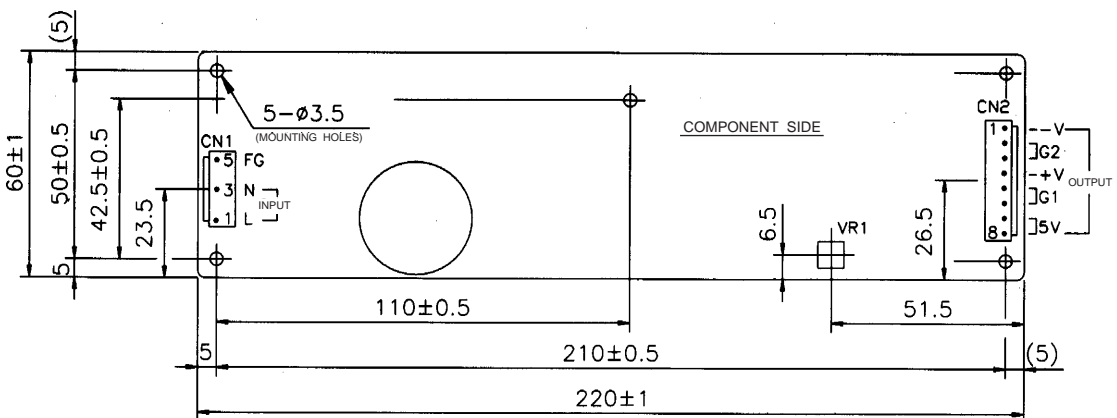
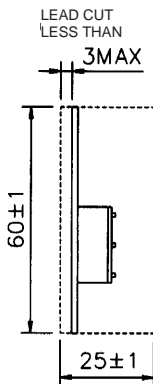
MAW-1201-22



P134

(Unit: mm)

## VT60



● Recommended Noise Filter

MAW-1201-22



P134

(Unit: mm)