

FEATURES

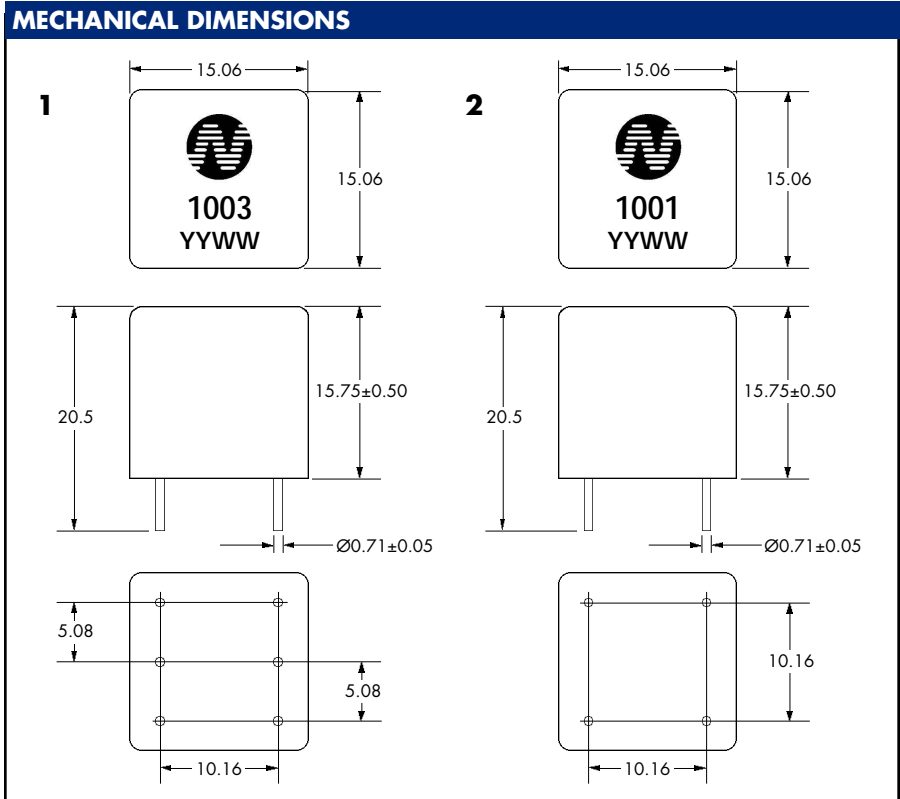
- UL 94V-0 Package Material
- Isolation to 2kVrms
- Inductance to 35mH
- Compact Footprint
- PCB Mounting

DESCRIPTION

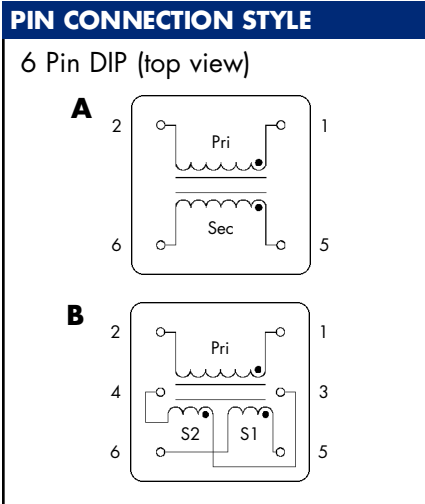
The 1000 series are intended for wideband and pulse operations. They are also suitable for signal isolation and small isolated power supplies. The compact footprint makes them ideal for applications where space is at a premium.

SELECTION GUIDE											
Order Code	Turns Ratio $\pm 2\%$	Primary Inductance (MIN) 1kHz, 10mV	Primary ET Constant (MIN)	Leakage Inductance (MAX) 100kHz, 10mV	Interwinding Capacitance (MAX) 100kHz, 10mV	DC Resistance (MAX) Primary Winding	DC Resistance (MAX) Secondary 1 Winding	DC Resistance (MAX) Secondary 2 Winding	Isolation Voltage Vrms	Pin Connection Style	Package Style
1001	1:1	3.0	200	22	23	1.2	1.0	-	2000	A	2
1002	1:1:1	3.0	200	9	28	1.4	1.3	1.7	2000	B	1
1003	2:1:1	12	400	35	30	4.0	1.8	2.4	2000	B	1

ABSOLUTE MAXIMUM RATINGS	
Operating free air temperature range	0°C to 70°C
Storage temperature range	-60°C to 125°C
Lead Temperature 1.5mm from case for 10 seconds	300°C



All specifications typical at $T_A=25^\circ\text{C}$.



C&D Technologies (NCL) Limited reserve the right to alter or improve the specification, internal design or manufacturing process at any time, without notice. Please check with your supplier or visit our web site to ensure that you have the current and complete specification for your product before use.

© C&D Technologies (NCL) Limited 2002 NMP 1000.2

No part of this publication may be copied, transmitted or stored in a retrieval system or reproduced in any way including, but not limited to, photography, photocopy, magnetic or other recording means, without prior written permission from C&D Technologies (NCL) Limited.

Instructions for use are available from www.dc-dc.com

C&D Technologies (NCL) Ltd
Tanners Drive, Blakelands North
Milton Keynes MK14 5BU, England
Tel: +44 (0)1908 615232
Fax: +44 (0)1908 617545
email: info@cdtechno-ncl.com

C&D Technologies (NCL), Inc.
3400 E Britannia Drive, Tucson,
Arizona 85706, USA
Tel: +1 (800) 547-2537
Fax: +1 (520) 741-4598
email: sales@cdtechno.com

www.dc-dc.com