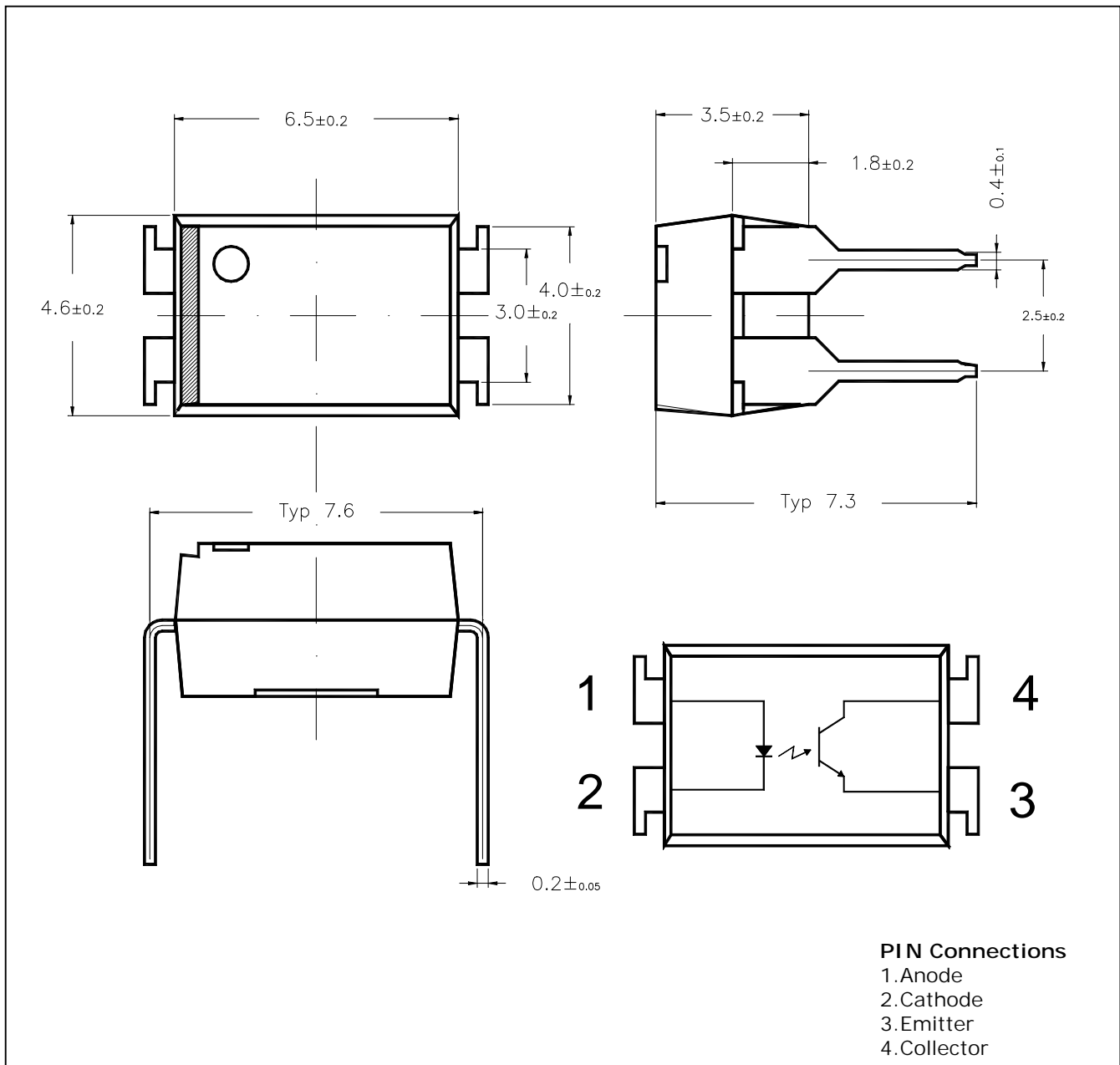


Features

- Office machine
- AC/DC input module
- Telecommunication
- Programmable controller
- Power supply

Outline Dimensions

unit : mm



Absolute maximum ratings

(Ta=25)

| Characteristic | | Symbol | Ratings | Unit |
|----------------|----------------------------|-----------|-----------------------|-----------|
| IRED | Continuous Forward Current | I_F | 50 | mA |
| | Reverse Voltage | V_R | 5 | V |
| | Power Dissipation | P_D | 70 | mW |
| Detector | Collector-Emitter Voltage | V_{CEO} | 35 | V |
| | Emitter-Collector Voltage | V_{ECO} | 6 | V |
| | Collector Current | I_C | 50 | mA |
| | Power Dissipation | P_D | 150 | mW |
| Coupler | Operating Temperature | T_{opr} | -30~100 | |
| | Storage Temperature | T_{stg} | -55~125 | |
| | Soldering Temperature | T_{sol} | 260 within 10 seconds | |
| | *1Isolation Voltage | V_{iso} | 5,000 | V_{rms} |

*1.Measured at RH = 40 ~60% for 1 min

Electrical Characteristics

| Parameter | | Symbol | Test Condition | Min. | Typ. | Max. | Unit |
|----------------|--------------------------------------|---------------|---|------|-----------|------|----------|
| IRED | Forward Current | V_F | $I_F=10mA$ | - | 1.15 | 1.3 | V |
| | Reverse Current | I_R | $V_R=5V$ | - | - | 10 | uA |
| | Capacitance | C_T | $V=0, f=1MHz$ | - | 30 | - | pF |
| Detector | Collector-Emitter Breakdown Voltage | BV_{CEO} | $I_C=0.5mA$ | 35 | - | - | V |
| | Emitter-Collector Breakdown Voltage | BV_{ECO} | $I_E=10uA$ | 6 | - | - | V |
| | Collector Dark Current | I_{CEO} | $I_F=0mA, V_{CE}=10V$ | - | - | 100 | nA |
| | Capacitance | C_{CE} | $V=0, f=1MHz$ | - | 10 | - | pF |
| Coupler | *2Current Transfer Ratio | CTR | $I_F=5mA, V_{CE}=5V$ | 50 | - | 600 | % |
| | Collector-Emitter Saturation Voltage | $V_{CE(sat)}$ | $I_F=5mA, I_C=1mA$ | - | - | 0.4 | V |
| | Input-Output Capacitance | C_{I-O} | $V=0, f=1MHz$ | - | 0.8 | - | pF |
| | Isolation Resistance | R_{iso} | DC 500V 40~60% RH | - | 10^{11} | | Ω |
| Switching Time | Rise Time | t_r | $V_{CC}=5V, R_L=100\Omega$ $I_C=2mA$ | - | 4 | - | usec |
| | Fall Time | t_f | | - | 4 | - | |

*2 Classification table of Current Transfer Ratio.

(CTR Rank Table)

A Rank : 80~160[%]

B Rank : 130~260[%]

C Rank : 200~400[%]

D Rank : 300~600[%]

Full Rank : 50~600[%]

Characteristic Diagrams

Fig. 1 $I_F - V_F$

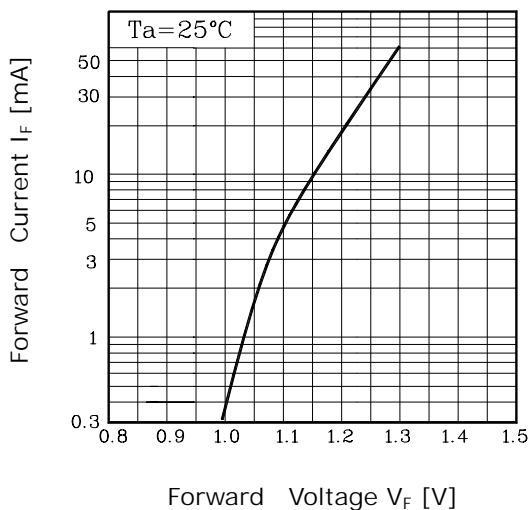


Fig. 2 CTR - I_F

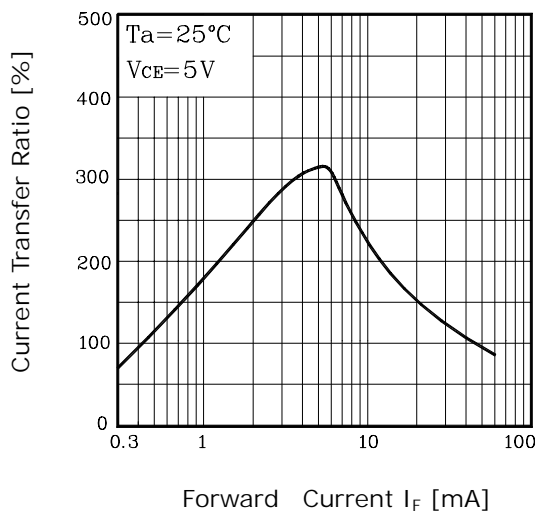


Fig. 3 $I_F - T_a$

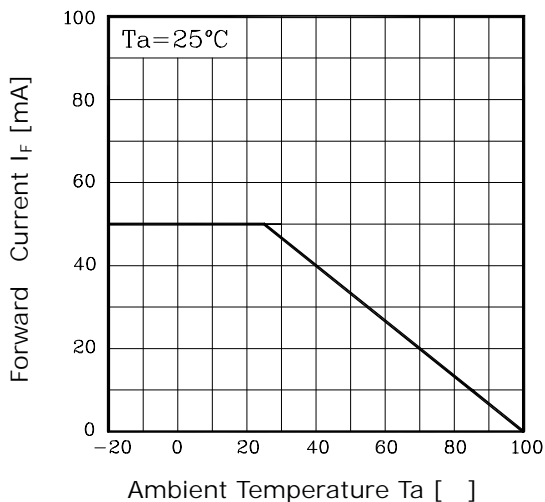


Fig. 4 $P_D - T_a$

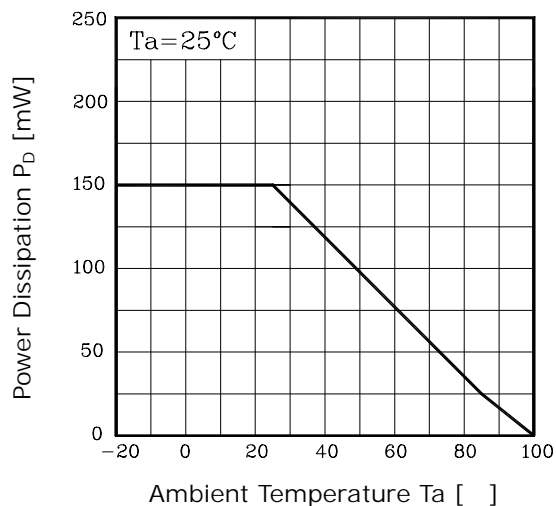


Fig. 5 $I_{CE0} - T_a$

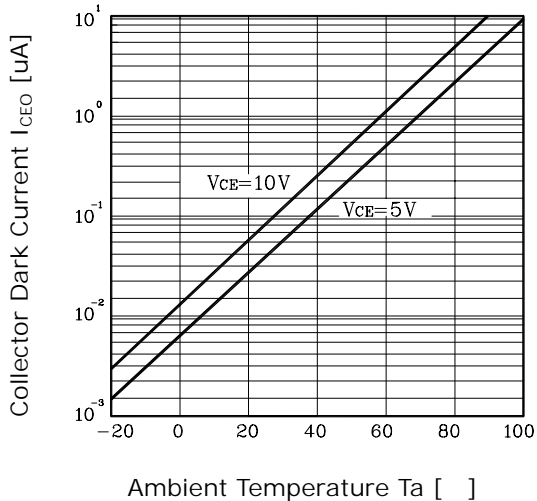


Fig. 5 $I_C - T_a$

