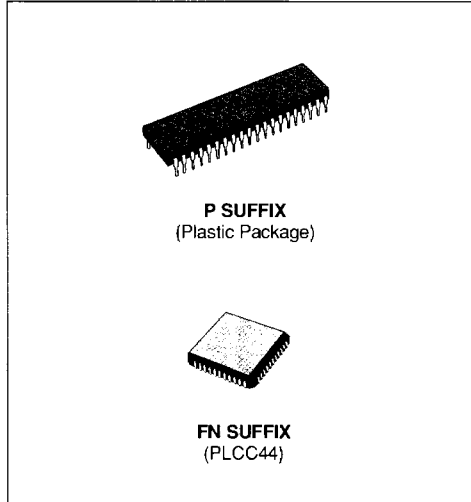
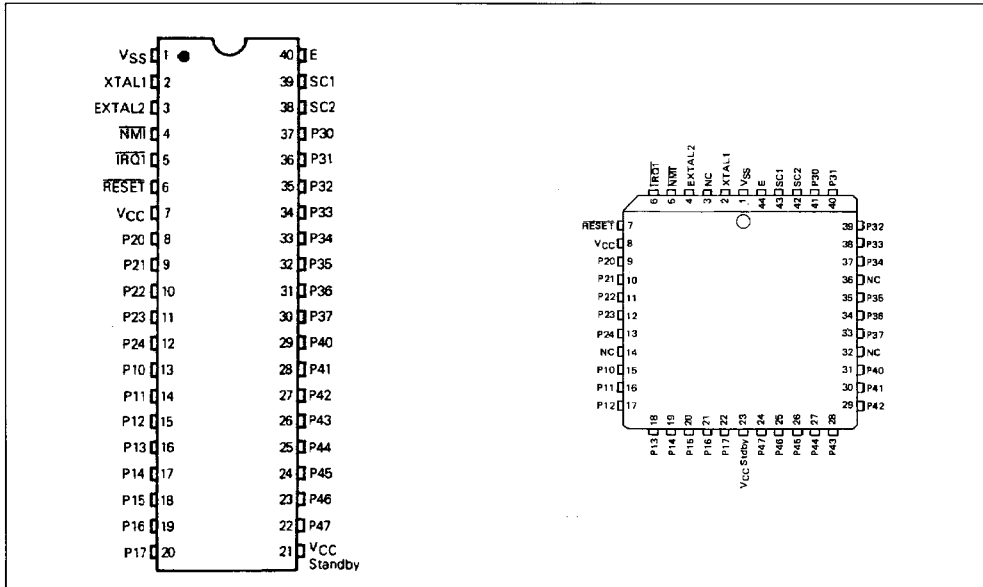


MICROCOMPUTER/MICROPROCESSOR (MCU/MPU)

- ENHANCED EF6800 INSTRUCTION SET
- 8 X 8 MULTIPLY INSTRUCTION
- SERIAL COMMUNICATIONS INTERFACE (SCI)
- UPWARD SOURCE AND OBJECT CODE COMPATIBILITY WITH THE 6800
- 16-BIT THREE-FUNCTION PROGRAMMABLE TIMER
- SINGLE-CHIP OR EXPANDED OPERATION TO 64K BYTE ADDRESS SPACE
- BUS COMPATIBILITY WITH THE 6800 FAMILY
- 2048 BYTES OF ROM (EF6801)
- 128 BYTES OF RAM
- 64 BYTES OF RAM RETAINABLE DURING POWERDOWN
- 29 PARALLEL I/O AND TWO HANDSHAKE CONTROL LINES
- INTERNAL CLOCK GENERATOR WITH DIVIDE-BY-FOUR OUTPUT
- - 40°C TO + 85°C TEMPERATURE RANGE
- - 40°C TO + 105°C TEMPERATURE RANGE



PIN CONNECTIONS

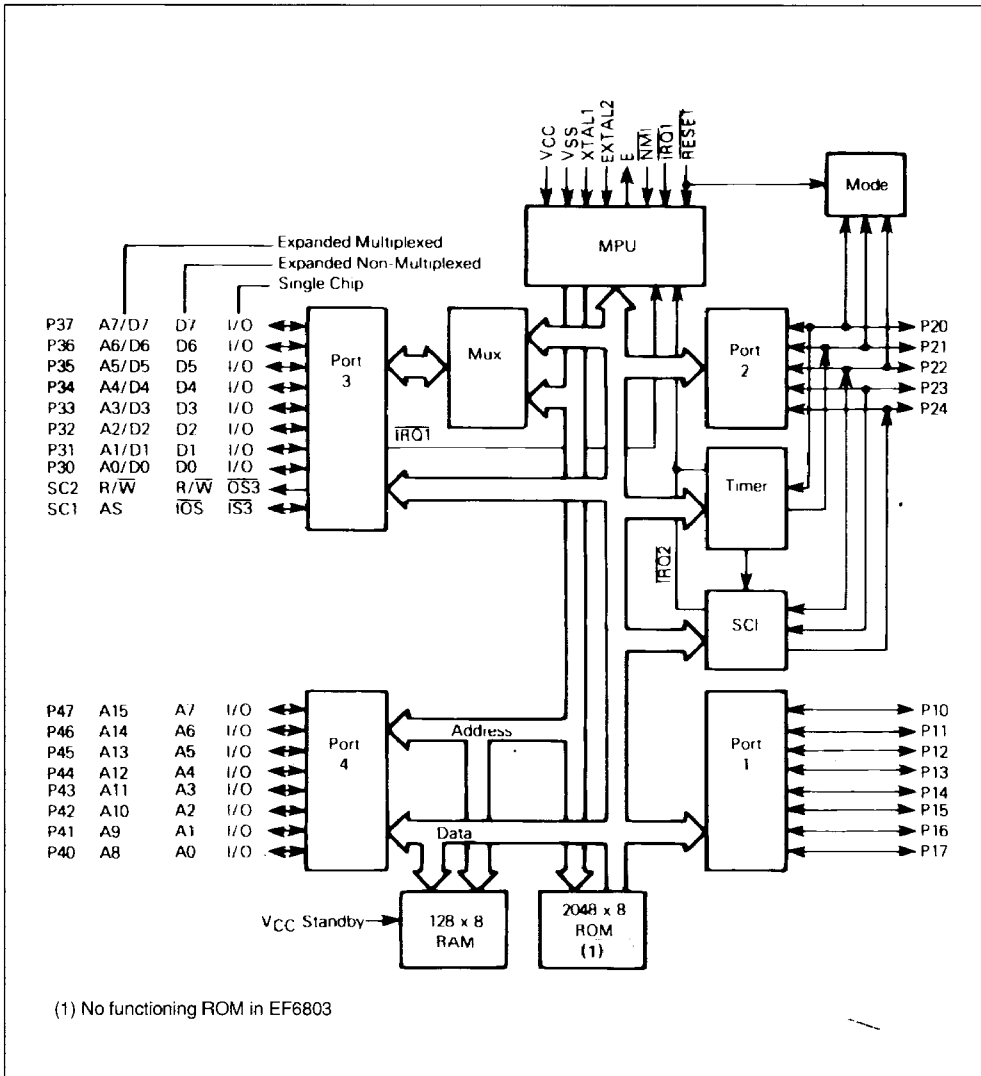


DESCRIPTION

The EF6801 is an 8-bit single-chip microcomputer unit (MCU) which significantly enhances the capabilities of the 6800 family of parts. It includes an upgraded 6800 microprocessor unit (MPU) with upward-source and object-code compatibility. Execution times of key instructions have been improved and several new instructions have been added including an unsigned multiply. The MCU can

function as a monolithic microcomputer or can be expanded to a 64K byte address space. It is TTL compatible and requires one + 5V power supply. On-chip resources include 2048 bytes of ROM, 128 bytes of RAM, a Serial Communications Interface (SCI), parallel I/O, and a three function Programmable Timer. The EF6803 can be considered as an EF6801 operating in Modes 2 or 3. EF6801 MCU Family features include :

Figure 1 : 6801/6803 Block Diagram.



(1) No functioning ROM in EF6803

POWER CONSIDERATIONS

The average chip-junction temperature, T_J , in °C can be obtained from :

$$T_J = T_A + (P_D \cdot \theta_{JA}) \quad (1)$$

Where :

T_A ≡ Ambient Temperature, °C

θ_{JA} ≡ Package Thermal Resistance, Junction-to-Ambient, °C/W

P_D ≡ $P_{INT} + P_{PORT}$

P_{INT} ≡ $I_{CC} \times V_{CC}$, Watts - Chip Internal Power

P_{PORT} ≡ Port Power Dissipation, Watts - User Determined

For most applications $P_{PORT} \ll P_{INT}$ and can be neglected. P_{PORT} may become significant if the device

is configured to drive Darlington bases or sink LED loads.

An approximate relationship between P_D and T_J (if P_{PORT} is neglected) is :

$$P_D = K + (T_J + 273^\circ\text{C}) \quad (2)$$

Solving equations 1 and 2 for K gives :

$$K = P_D \cdot (T_A + 273^\circ\text{C}) + \theta_{JA} \cdot P_D^2 \quad (3)$$

Where K is a constant pertaining to the particular part. K can be determined from equation 3 by measuring P_D (at equilibrium) for a known T_A . Using this value of K the values of P_D and T_J can be obtained by solving equations (1) and (2) iteratively for any value of T_A .

ABSOLUTE MAXIMUM RATINGS

Symbol	Parameter	Value	Unit
V_{CC}	Supply Voltage	- 0.3 to + 7.0	V
V_{in}	Input Voltage	- 0.3 to + 7.0	V
T_A	Operating Temperature Range EF6801/03, EF6801/03-1, EF68A01/03, EF68B01/03 EF6801/03, EF6801/03-1 : V Suffix EF6801/03, EF6801/03-1 : A Suffix	T_L to T_H 0 to 70 - 40 to 85 - 40 to 105	°C
T_{stg}	Storage Temperature Range	- 55 to + 150	°C

This device contains circuitry to protect the inputs against damage due to high static voltages or electric fields ; however, it is advised that normal precautions be taken to avoid application of any voltage higher than maximum rated voltages to this high-impedance circuit. For proper operation it is recommended that V_{IN} and V_{OUT} be constrained to the range $V_{SS} \leq (V_{in} \text{ or } V_{out}) \leq V_{CC}$. Input protection is enhanced by connecting unused inputs to either V_{DD} or V_{SS} .

THERMAL DATA

θ_{JA}	Thermal Resistance	Plastic PLCC	50 100	°C/W
---------------	--------------------	-----------------	-----------	------

CONTROL TIMING ($V_{CC} = 5.0V \pm 5\%$, $V_{SS} = 0$, $T_A = 0$ to 70°C)

Symbol	Parameter	EF6801		EF6801-1		EF68A01		EF68B01		Unit
		Min.	Max.	Min.	Max.	Min.	Max.	Min.	Max.	
f_o	Frequency of Operation	0.5	1.0	0.5	1.25	0.5	1.5	0.5	2.0	MHz
f_{XTAL}	Crystal Frequency	2.0	4.0	2.0	5.0	2.0	6.0	2.0	8.0	MHz
$4f_o$	External Oscillator Frequency	2.0	4.0	2.0	5.0	2.0	6.0	2.0	8.0	MHz
t_{rc}	Crystal Oscillator Start Up Time		100		100		100		100	ms
t_{PCS}	Processor Control Setup Time	200		170		140		110		ns

DC ELECTRICAL CHARACTERISTICS

($V_{CC} = 5.0Vdc \pm 5\%$, $V_{SS} = 0$, $T_A = T_L$ to T_H unless otherwise noted)

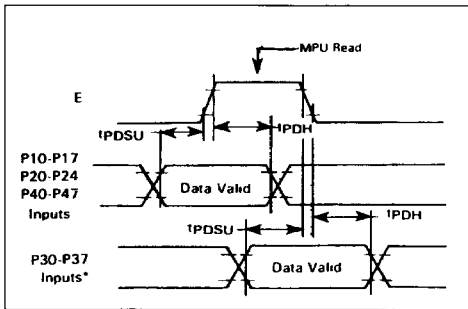
Symbol	Parameter	EF6801/03 0°C to +70°C		EF6801/03 -40°C to +85°C / +105°C		Unit
		Min.	Max.	Min.	Max.	
V_{IH}	Input High Voltage RESET Other Inputs	$V_{SS} + 4.0$	V_{CC}	$V_{SS} + 4.0$	V_{CC}	V
		$V_{SS} + 2.0$	V_{CC}	$V_{SS} + 2.2$	V_{CC}	
V_{IL}	Input Low Voltage All Inputs	$V_{SS} - 0.3$	$V_{SS} + 0.8$	$V_{SS} - 0.3$	$V_{SS} + 0.8$	V
I_{in}	Input Load Current ($V_{in} = 0$ to 2.4V) Port 4 SC1		0.5		0.8	mA
			0.8		1.0	
I_{in}	Input Leakage Current ($V_{in} = 0$ to 5.25V) NMI, IRQ1, RESET		2.5		5.0	μA
I_{TSI}	Hi-Z (off-state) Input Current ($V_{in} = 0.5$ to 2.4V) Ports 1, 2, and 3		10		20	μA
V_{OH}	Output High Voltage ($I_{Load} = -65\mu A$, $V_{CC} = Min$) [*] E, Port 4, SC1, SC2 ($I_{Load} = -100\mu A$, $V_{CC} = Min$) Other Outputs	$V_{SS} + 2.4$		$V_{SS} + 2.4$		V
		$V_{SS} + 2.4$		$V_{SS} + 2.4$		
V_{OL}	Output Low Voltage ($I_{Load} = 2.0mA$, $V_{CC} = Min$) All Outputs		$V_{SS} + 0.5$		$V_{SS} + 0.6$	V
I_{OH}	Darlington Drive Current ($V_O = 1.5V$) Port 1	1.0	4.0	1.0	5.0	mA
P_{INT}	Internal Power Dissipation (measured at $T_A = T_L$ in steady-state operation)		1200		1500	mW
C_{in}	Input Capacitance ($V_{in} = 0$, $T_A = 25^\circ C$, $f_o = 1.0MHz$) Port 3, Port 4, SC1 Other Inputs		12.5		12.5	pF
			10		10	
V_{SBB} V_{SB}	V_{CC} Standby Powerdown Powerup	4.0	5.25	4.0	5.25	V
		4.75	5.25	4.75	5.25	
I_{SBB}	Standby Current Powerdown		6.0		8.0	mA

* Negotiable to $-100\mu A$ (for further information contact the factory)

PERIPHERAL PORT TIMING (refer to figures 2-5)

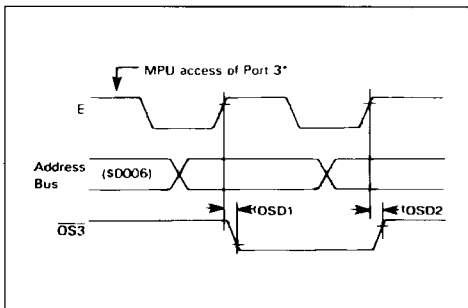
Symbol	Parameter	EF6801 EF6803		EF6801-1 EF6803-1		EF68A01 EF68A03		EF68B01 EF68B03		Unit
		Min.	Max.	Min.	Max.	Min.	Max.	Min.	Max.	
t _{PDSU}	Peripheral Data Setup Time	200		200		150		100		ns
t _{PDH}	Peripheral Data Hold Time	200		200		150		100		ns
t _{OSD1}	Delay Time, Enable Positive Transition to OS3 Negative Transition		350		350		300		250	ns
t _{OSD2}	Delay Time, Enable Positive Transition to OS3 Positive Transition		350		350		300		250	ns
t _{PWD}	Delay Time, Enable Negative Transition to Peripheral Data Valid		350		350		300		250	ns
t _{CMOS}	Delay Time, Enable Negative Transition to Peripheral CMOS Data Valid		2.0		2.0		2.0		2.0	μs
t _{PWIS}	Input Strobe Pulse Width	200		200		150		100		ns
t _{IH}	Input Data Hold Time	50		50		40		30		ns
t _{IS}	Input Data Setup Time	20		20		20		20		ns

Figure 2 : Data Setup and Hold Times (MPU read).



* Port 3 non-latched operation (latch enable = 0)

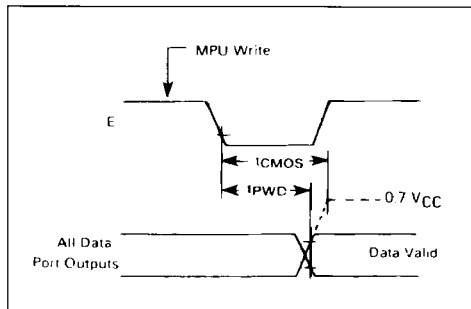
Figure 4 : Port 3 Output Strobe Timing (EF6801 single-chip Mode).



* Access matches Output Strobe Select (OSS = 0, a read. OSS = 1, a write).

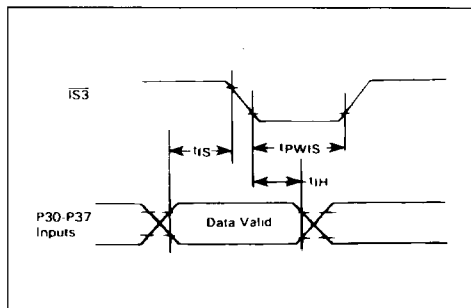
Note : Timing measurements are referenced to and from a low voltage of 0.8V and a high voltage of 2.0V, unless otherwise noted.

Figure 3 : Data Setup and Hold Times (MPU write).



Notes : 1. 10 k Pullup resistor required for Port 2 to reach 0.7 V_{CC}.
2. Not applicable to P21.
3. Port 4 cannot be pulled above V_{CC}.

Figure 5 : Port 3 Latch Timing (EF6801 single-chip mode).



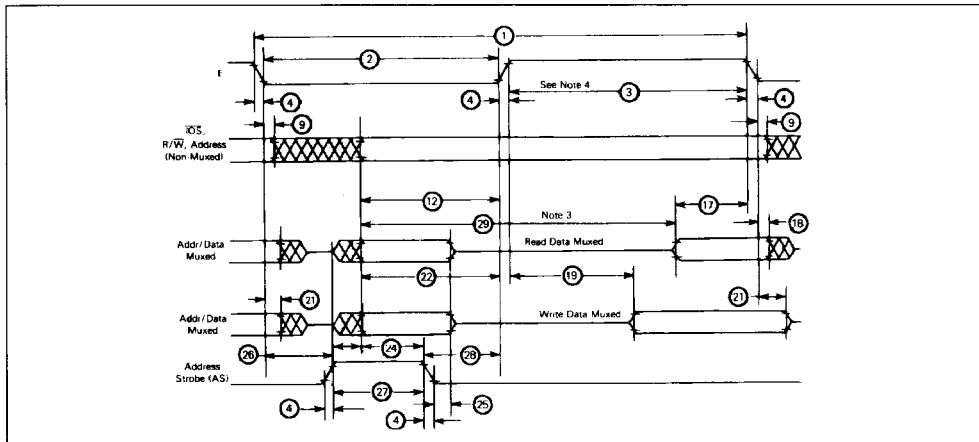
BUS TIMING (see notes 1 and 2)

Ident. Number	Symbol	Parameter	EF6801 EF6803		EF6801-1 EF6803-1		EF68A01 EF68A03		EF68B01 EF68B03		Unit
			Min.	Max.	Min.	Max.	Min.	Max.	Min.	Max.	
1	t_{cyc}	Cycle Time	1.0	2.0	0.8	2.0	0.667	2.0	0.5	2.0	μs
2	PW_{EL}	Pulse Width, E Low	430	1000	360	1000	300	1000	210	1000	ns
3	PW_{EH}	Pulse Width, E High	450	1000	360	1000	300	1000	220	1000	ns
4	t_r, t_f	Clock Rise and Fall Time		25		25		25		20	ns
9	t_{AH}	Address Hold Time	20		20		20		10		ns
12	t_{AV}	Non-muxed Address Valid Time to E*	200		150		115		70		ns
17	t_{DSR}	Read Data Setup Time	80		70		60		40		ns
18	t_{DHR}	Read Data Hold Time	10		10		10		10		ns
19	t_{DDW}	Write Data Delay Time		225		200		170		120	ns
21	t_{DHW}	Write Data Hold Time	20		20		20		10		ns
22	t_{AVM}	Muxed Address Valid Time to E Rise*	200		150		115		80		ns
24	t_{ASL}	Muxed Address Valid Time to AS Fall*	60		50		40		20		ns
25	t_{AHL}	Muxed Address Hold Time	20		20		20		10		ns
26	t_{ASD}	Delay Time, E to AS Rise*	90**		70**		60**		45**		ns
27	PW_{ASH}	Pulse Width, AS High*	220		170		140		110		ns
28	t_{ASED}	Delay Time, AS to E Rise*	90		70		60		45		ns
29	t_{ACC}	Usable Access Time*	595		465		380		270		ns

* At specified cycle time.

** t_{ASD} parameters listed assume external TTL clock drive with $50\% \pm 5\%$ duty cycle. Devices driven by an external TTL clock with $50\% \pm 1\%$ duty cycle or which use a crystal have the following t_{ASD} specifications : 100ns min. (1.0MHz devices), 80ns min. (1.25MHz devices), 65ns min. (1.5MHz devices), 50ns min. (2.0MHz devices).

Figure 6 : Bus Timing.



- Notes : 1. Voltage levels shown are $V_L \leq 0.5V$, $V_H \geq 2.4V$, unless otherwise specified.
- 2. Measurement points shown are 0.8V and 2.0V, unless otherwise specified.
- 3. Usable access time is computed by $12 + 3 - 17 + 4$.
- 4. Memory devices should be enabled only during E high to avoid Port 3 bus contention.

Figure 7 : CMOS Load.

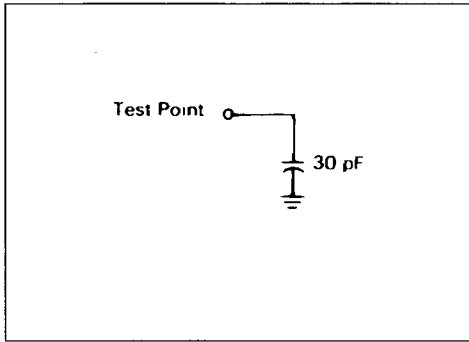
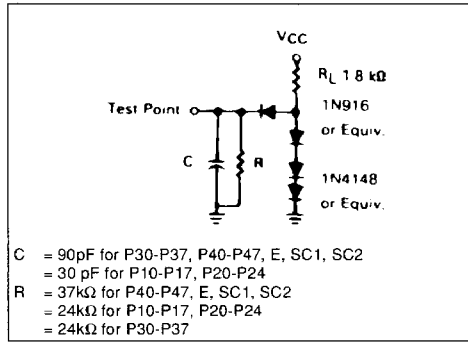


Figure 8 : Timing Test Load Ports 1, 2, 3, 4.



INTRODUCTION

The EF6801 is an 8-bit monolithic microcomputer which can be configured to function in a wide variety of applications. The facility which provides this extraordinary flexibility is its ability to be hardware programmed into eight different operating modes. The operating mode controls the configuration of 18 of the 40 MCU pins, available on-chip resources, memory map, location (internal or external) of interrupt vectors, and type of external bus. The configuration of the remaining 22 pins is not dependent on the operating mode.

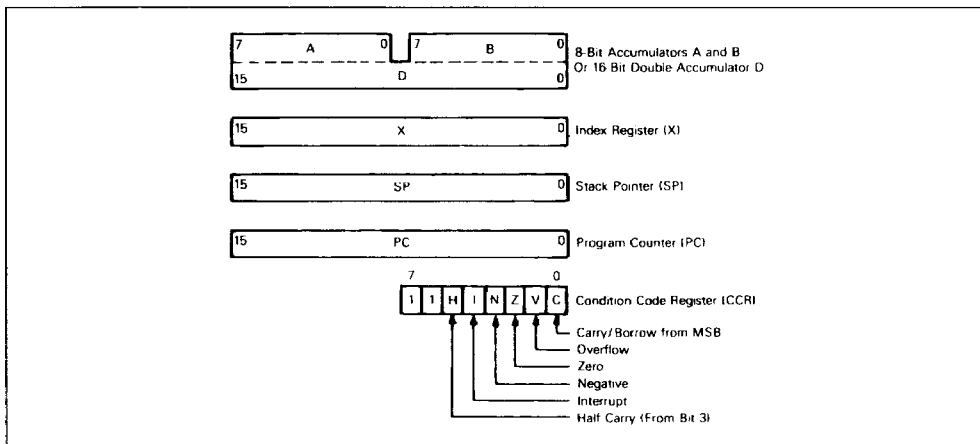
Twenty-nine pins are organized as three 8-bit ports and one 5-bit port. Each port consists of at least a Data Register and a write-only Data Direction Register. The Data Direction Register is used to define whether corresponding bits in the Data Register are configured as an input (clear) or output (set).

The term "port", by itself, refers to all of the hardware associated with the port. When the port is used as a "data port" or "I/O port", it is controlled by the port Data Direction Register and the programmer has direct access to the port pins using the port Data Register. Port pins are labeled as P_{ij} where i identifies one of four ports and j indicates the particular bit.

The Microprocessor Unit (MPU) is an enhanced EF6800 MPU with additional capabilities and greater throughput. It is upward source and object code compatible with the EF6800. The programming model is depicted in figure 9, where Accumulator D is a concatenation of Accumulators A and B. A list of new operations added to the 6800 instruction set are shown in table 1.

The EF6803 can be considered an EF6801 that operates in Modes 2 and 3 only.

Figure 9 : Programming Model.



OPERATING MODES

The EF6801 provides eight different operating modes (modes 0 through 7), the EF6803 provides two operating modes (modes 2 and 3). The operating modes are hardware selectable and determine the device memory map, the configuration of Port 3, Port 4, SC1, SC2, and the physical location of the interrupt vectors.

FUNDAMENTAL MODES

The eight operating modes can be grouped into three fundamental modes which refer to the type of bus it supports : Single Chip, Expanded Non-Multiplexed, and Expanded Multiplexed. Single-Chip modes include 4 and 7, Expanded Non-Multiplexed

is Mode 5 and the remaining five are Expanded Multiplexed modes. Table 2 summarizes the characteristics of the operating modes.

EF6801 SINGLE-CHIP MODES (4, 7). In the Single-Chip Mode, the four MCU ports are configured as parallel input/output data ports, as shown in figure 10. The MCU functions as a monolithic micro-computer in these two modes without external address or data buses. A maximum of 29 I/O lines and two Port 3 control lines are provided. Peripherals or another MCU can be interfaced to Port 3 in a loosely coupled dual processor configuration, as shown in figure 11.

Table 1 : New Instructions.

Instruction	Description
ABX	Unsigned addition of accumulator B to index register.
AADD	Adds (without carry) the double accumulator to memory and leaves the sum in the double accumulator.
ASLD or LSLD	Shifts the double accumulator left (towards MSB) one bit ; the LSB is cleared and the MSB is shifted into the C-bit.
BHS	Branch if higher or same ; unsigned conditional branch (same as BCC).
BLO	Branch if lower ; unsigned conditional branch (same as BCS).
BRN	Branch never.
JSR	Additional addressing mode direct.
LDD	Loads double accumulator from memory.
LSL	Shifts memory or accumulator left (towards MSB) one bit ; the LSB is cleared and the MSB is shifted into the C-bit (same as ASL).
LSRD	Shifts the double accumulator right (towards LSB) one bit ; the MSB is cleared and the LSB is shifted into the C-bit.
MUL	Unsigned multiply ; multiplies the two accumulators and leaves the product in the double accumulator.
PSHX	Pushes the index register to stack.
PULX	Pulls the index register from stack.
STD	Stores the double accumulator to memory.
SUBD	Subtracts memory from the double accumulator and leaves the difference in the double accumulator.
CPX	Internal processing modified to permit its use with any conditional branch instruction.

In Single-Chip Test Mode (4), the RAM responds to \$XX80 through \$XXFF and the ROM is removed from the internal address map. A test program must first be loaded into the RAM using modes 0, 1, 2, or 6. If the MCU is Reset and then programmed into Mode 4, execution will begin at \$XXFE : XXFF. Mode 5 can be irreversibly entered from Mode 4 without asserting **RESET** by setting bit 5 of the Port 2 Data Register. This mode is used primarily to test Ports 3 and 4 in the Single-Chip and Non-Multiplexed Modes.

EF6801 EXPANDED NON-MULTIPLEXED MODE (5). A modest amount of external memory space is

provided in the Expanded Non-Multiplexed Mode while significant on-chip resources are retained. Port 3 functions as an 8-bit bidirectional data bus and Port 4 is configured initially as an input data port. Any combination of the eight least-significant address lines may be obtained by writing to the Port 4 Data Direction Register. Stated alternatively, any combination of A0 to A7 may be provided while retaining the remainder as input data lines. Internal pullup resistors pull the Port 4 lines high until the port is configured.

Figure 12 illustrates a typical system configuration in the Expanded Non-Multiplexed Mode. The MCU

interfaces directly with 6800 family parts and can access 256 bytes of external address space at \$100 through \$1FF. IOS provides an address decode of

external memory (\$100-\$1FF) and can be used as a memory page select or chip select line.

Table 2 : Summary of EF6801/03 Operating Modes.

<p>Common to all Modes : Reserved Register Area Port 1 Port 2 Programmable Timer Serial Communications Interface</p>
<p>Single-chip Mode 7 : 128 Bytes of RAM, 2048 Bytes of ROM Port 3 is a parallel I/O port with two control lines. Port 4 is a parallel I/O port. SC1 is input strobe 3 (IS3). SC2 is output strobe (OS3).</p>
<p>Expanded Non-multiplexed Mode 5 : 128 Bytes of RAM, 2048 Bytes of ROM 256 Bytes of External Memory Space Port 3 is an 8-bit data bus. Port 4 is an input port/address bus. SC1 is input/output select (IOS). SC2 is read/write (R/W).</p>
<p>Expanded Multiplexed Modes 1, 2, 3, 6* : Four memory space options (64K address space). (1) No Internal RAM or ROM (mode 3) (2) Internal RAM, no ROM (mode 2) (3) Internal RAM and ROM (mode 1) (4) Internal RAM, ROM with Partial Address Bus (mode 6) Port 3 is multiplexed address/data bus. Port 4 is an address bus (inputs/address in mode 6). SC1 is address strobe (AS). SC2 is read/write (R/W).</p>
<p>Test Modes 0 and 4 : Expanded multiplexed test mode 0. May be used to test RAM and ROM. Single chip and non-multiplexed test mode 4. (1) May be changed to mode 5 without going through reset. (2) May be used to test ports 3 and 4 as I/O ports.</p>

* The EF6803 operates only in modes 2 and 3

Figure 10 : Single-chip Mode.

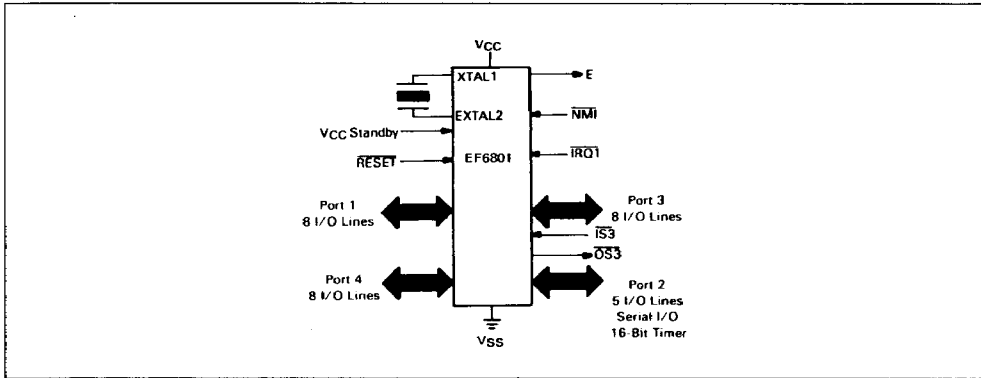


Figure 11 : Single-chip Dual Processor Configuration.

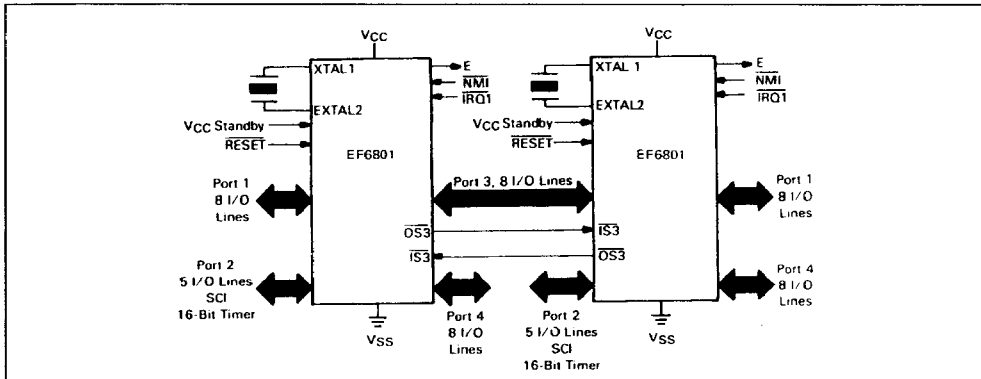
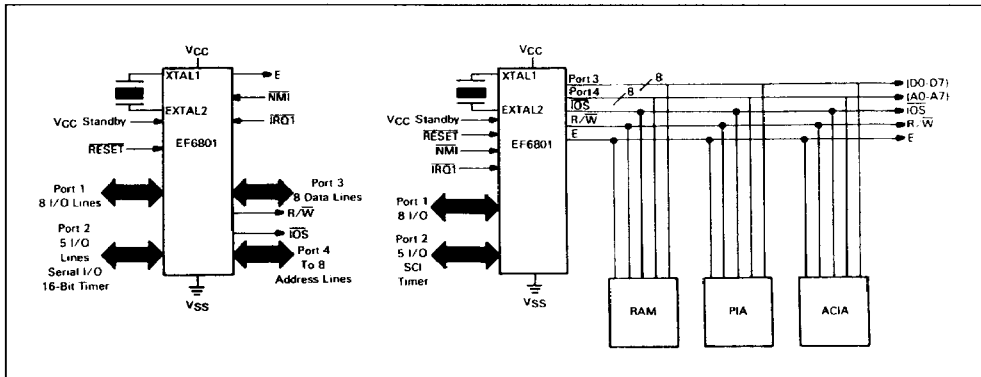


Figure 12 : Expanded Non-multiplexed Configuration.



EXPANDED-MULTIPLEXED MODES (0, 1, 2, 3, 6). A 64K byte memory space is provided in the expanded multiplexed modes. In each of the expanded multiplexed modes Port 3 functions as a time multiplexed address/data bus with address valid on the negative edge of Address Strobe (AS), and data valid while E is high. In Modes 0 to 3, Port 4 provides address lines A8 to A15. In Mode 6, however, Port 4 initially is configured at RESET as an input data port. The port 4 Data Direction Register can then be changed to provide any combination of address lines, A8 to A15. Stated alternatively, any subset of A8 to A15 can be provided while retaining the remaining port 4 lines as input data lines. Internal pullup resistors pull the Port 4 lines high until software configures the port.

In Mode 0, the Reset vector is external for the first two E-cycles after the positive edge of RESET, and internal thereafter. In addition, the internal and external data buses are connected so there must be no memory map overlap in order to avoid potential bus conflicts. Mode 0 is used primarily to verify the ROM pattern and monitor the internal data bus with the automated test equipment.

Only the EF6801 can operate in each of the expanded multiplexed modes. The EF6803 operates only in Modes 2 and 3.

Figure 13 depicts a typical configuration for the Expanded-Multiplexed Modes. Address Strobe can be used to control a transparent D-type latch to capture addresses A0-A7, as shown in figure 14. This allows Port 3 to function as a Data Bus when E is high.

PROGRAMMING THE MODE

The operating mode is determined at RESET by the levels asserted on P22, P21, and P20. These levels are latched into PC2, PC1, and PC0 of the program control register on the positive edge of RESET. The operating mode may be read from the Port 2 Data Register as shown below, and programming levels and timing must be met as shown in figure 15. A brief outline of the operating modes is shown in table 3.

PORT 2 DATA REGISTER								
7	6	5	4	3	2	1	0	
PC2	PC1	PC0	P24	P23	P22	P21	P20	
								\$0003

Circuitry to provide the programming levels is dependent primarily on the normal system usage of the three pins. If configured as outputs, the circuit shown in figure 16 may be used ; otherwise, three-state buffers can be used to provide isolation while programming the mode.

Table 3 : Mode Selection Summary.

Mode*	P22 PC2	P21 PC1	P20 PC0	ROM	RAM	Interrupt Vectors	Bus Mode	Operating Mode
7	H	H	H	I	I	I	I	Single Chip
6	H	H	L	I	I	I	MUX ^(5, 6)	Multiplexed/partial Decode
5	H	L	H	I	I	I	NMUX ^(5, 6)	Non-multiplexed/partial Decode
4	H	L	L	I ⁽²⁾	I ⁽¹⁾	I	I	Single Chip Test
3	L	H	H	E	E	E	MUX ⁽⁴⁾	Multiplexed/no RAM or ROM
2	L	H	L	E	I	E	MUX ⁽⁴⁾	Multiplexed/RAM
1	L	L	H	I	I	E	MUX ⁽⁴⁾	Multiplexed/RAM & ROM
0	L	L	L	I	I	I ⁽³⁾	MUX ⁽⁴⁾	Multiplexed Test

Legend :

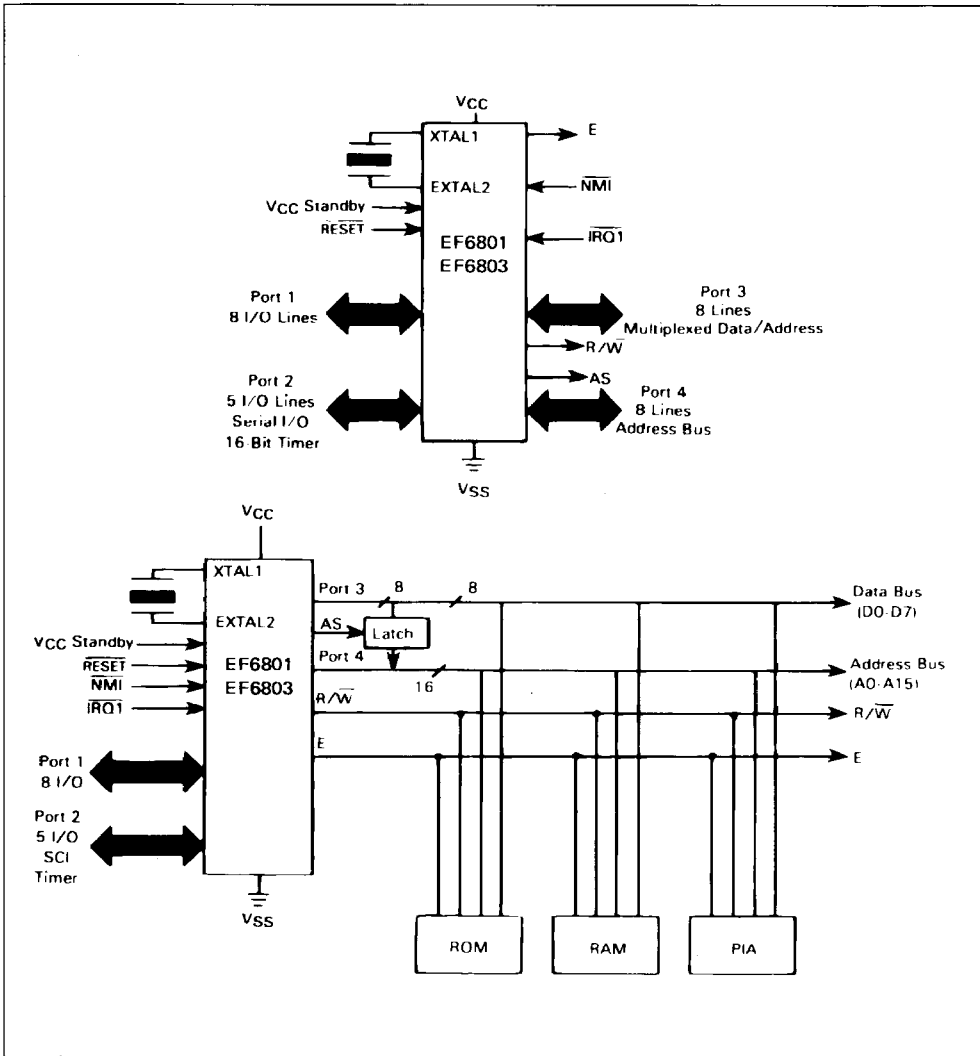
- I - Internal
- E - External
- MUX - Multiplexed
- NMUX - Non-Multiplexed
- L - Logic "0"
- H - Logic "1"

Notes :

- (1) Internal RAM is addressed at \$XX80
- (2) Internal ROM is disabled
- (3) RESET vector is external for 2 cycles after RESET goes high
- (4) Addresses associated with Ports 3 and 4 are considered external in Modes 0, 1, 2, and 3
- (5) Addresses associated with Port 3 are considered external in Modes 5 and 6
- (6) Port 4 default is user data input, address output is optional by writing to Port 4 Data Direction Register

* The EF6803 operates only in Modes 2 and 3

Figure 13 : Expanded Multiplexed Configuration.



Note : To avoid data bus (Port 3) contention in the expanded multiplexed modes, memory devices should be enabled only during E high time.

Figure 14 : Typical Latch Arrangement.

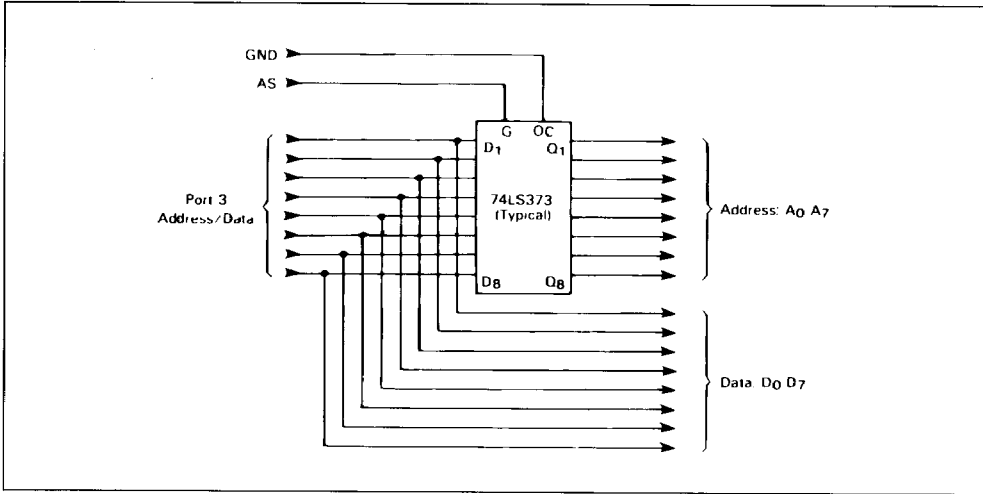
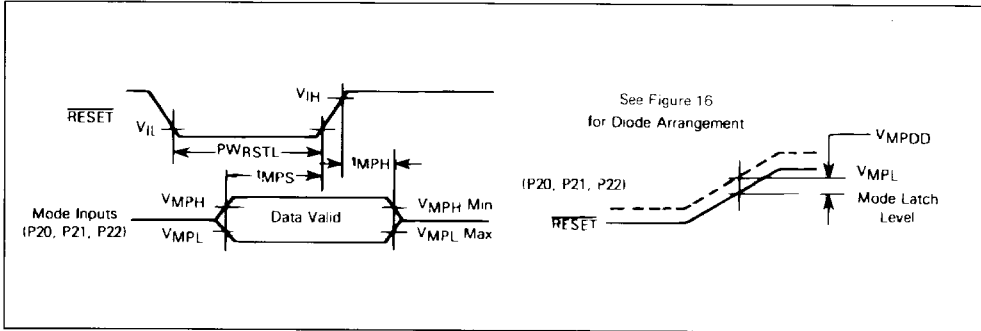


Figure 15 : Mode Programming Timing.

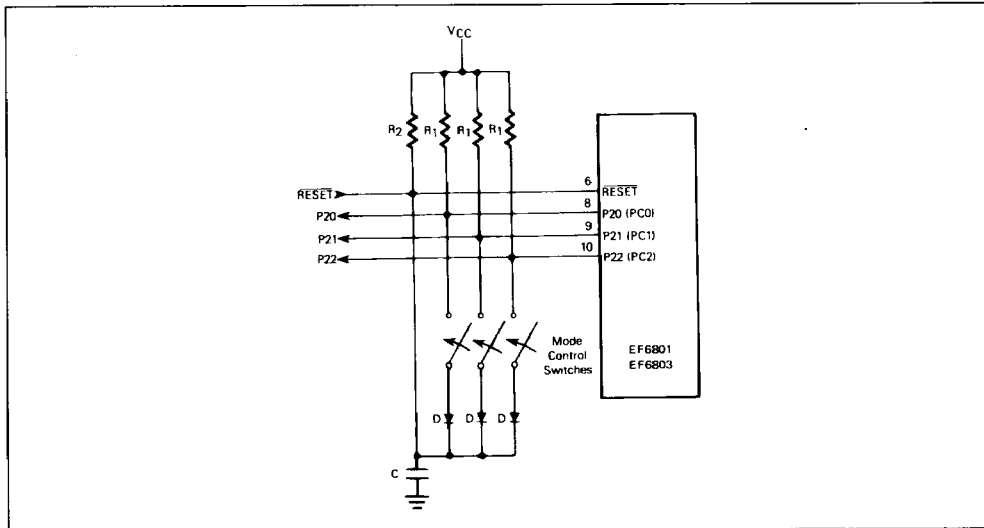


MODE PROGRAMMING (refer to figure 15)

Symbol	Parameter	Min.	Max.	Unit
V _{MPL}	Mode Programming Input Voltage Low*		1.8	V
V _{MPH}	Mode Programming Input Voltage High	4.0		V
V _{MPDD}	Mode Programming Diode Differential (if diodes are used)	0.6		V
PW _{RSTL}	RESET Low Pulse Width	3.0		E-Cycles
t _{MPS}	Mode Programming Setup Time	2.0		E-Cycles
t _{MPH}	Mode Programming Hold Time RESET Rise Time ≥ 1μs RESET Rise Time < 1μs	0 100		ns

* For T_A = - 40°C to + 105°C, V_{MPL} = 1.7V.

Figure 16 : Typical Mode Programming Circuit.



- Notes :
1. Mode 7 as shown
 2. $R_2 \cdot C$ = Reset time constant
 3. $R_1 = 10k$ (typical)
 4. $D = 1N914, 1N4001$ (typical)
 5. Diode V_f should not exceed V_{MPDD} min

MEMORY MAPS

The 6801 Family can provide up to 64K byte address space depending on the operating mode. A memory map for each operating mode is shown in figure 17.

The first 32 locations of each map are reserved for the internal register area, as shown in table 4, with exceptions as indicated.

Figure 17 : EF6801/03 Memory Maps (sheet 1 of 3).

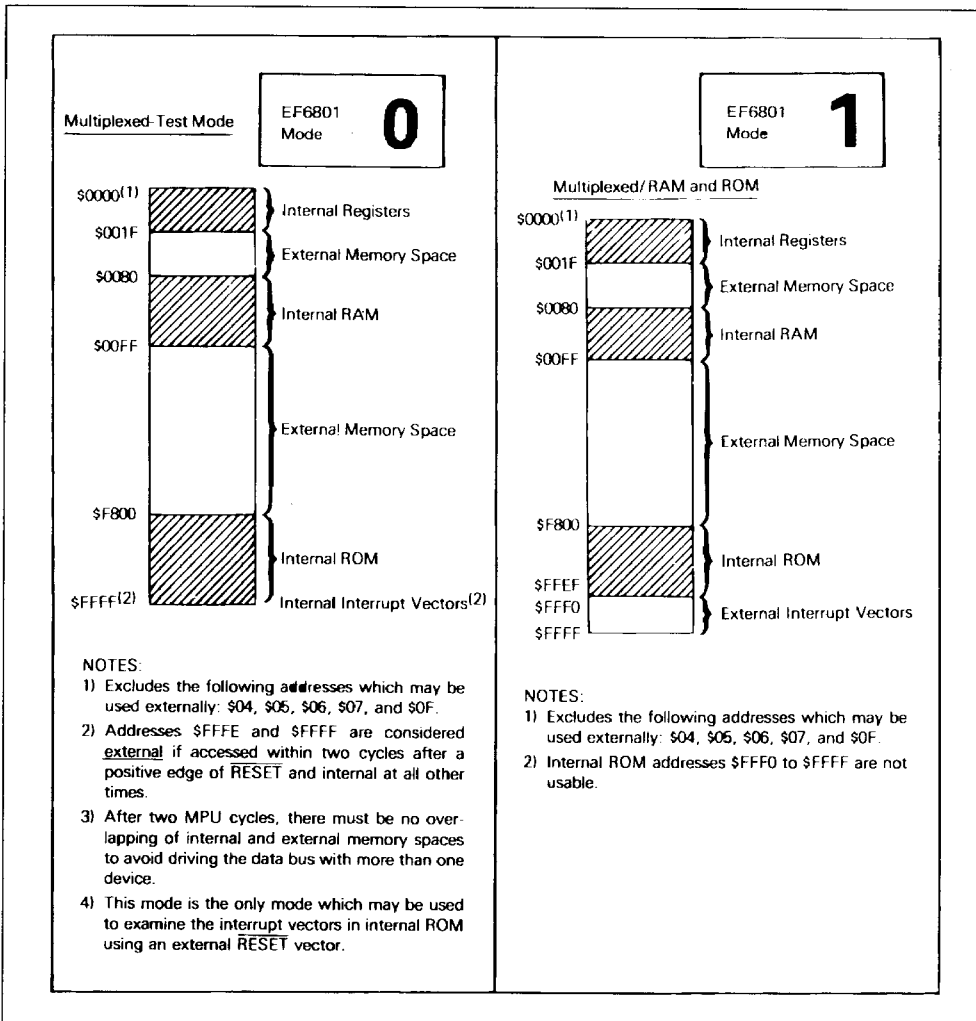


Figure 17 : EF6801/03 Memory Maps (sheet 2 of 3).

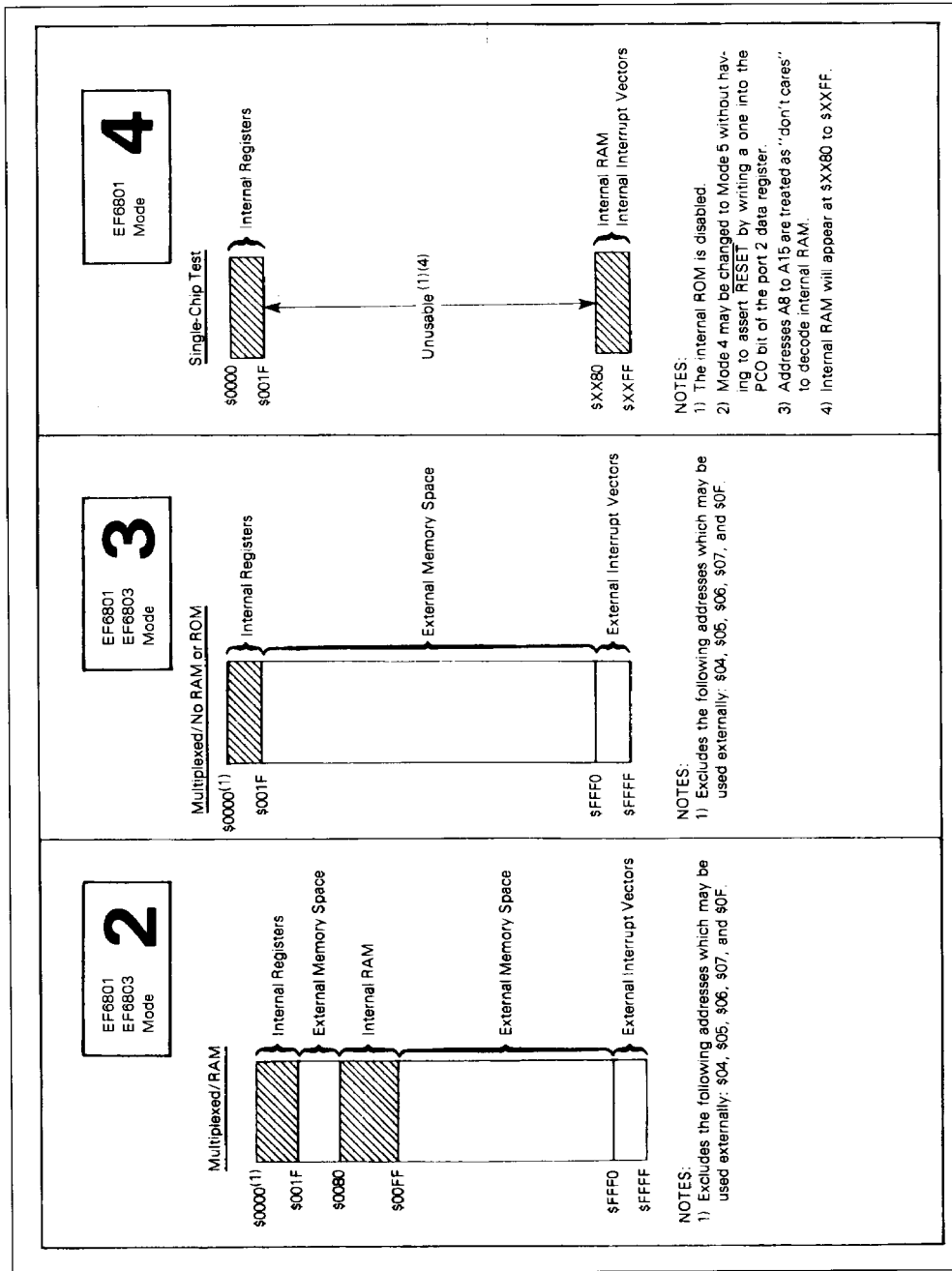
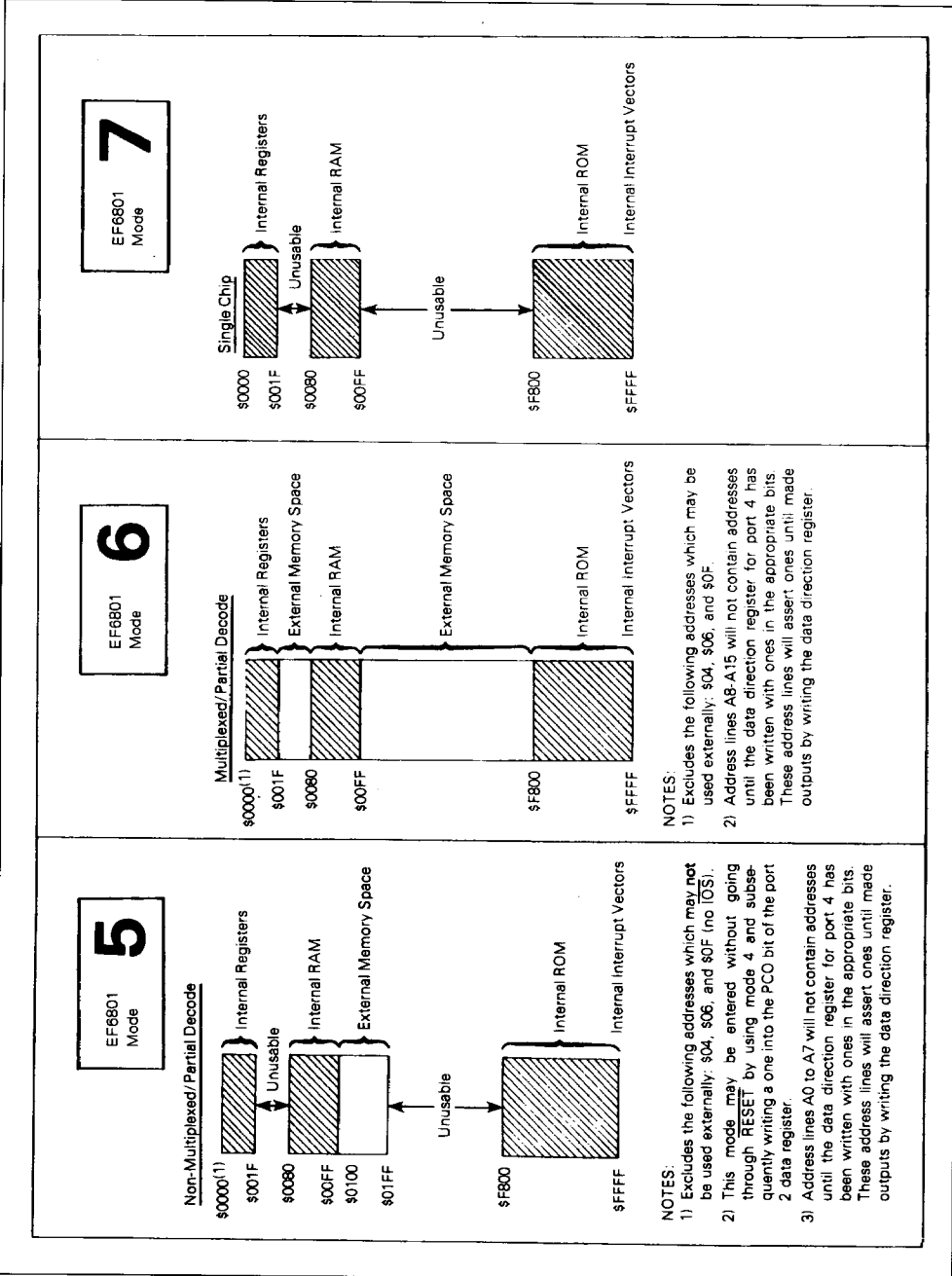


Figure 17 : EF6801/03 Memory Maps (sheet 3 of 3).



EF6801/03 INTERRUPTS

The 6801 Family supports two types of interrupt requests : maskable and non-maskable. A Non-Maskable Interrupt (NMI) is always recognized and acted upon at the completion of the current instruction. Maskable interrupts are controlled by the Condition Code Register I-bit and by individual enable bits. The I-bit controls all maskable interrupts. Of the maskable interrupts, there are two types : IRQ1 and IRQ2. The Programmable Timer and Serial Communications Interface use an internal IRQ2 interrupt line, as shown in figure 1. External devices (and IS3) use IRQ1. An IRQ1 interrupt is serviced before IRQ2 if both are pending.

All IRQ2 interrupts use hardware prioritized vectors. The single SCI interrupt and three timer interrupts

are serviced in a prioritized order and each is vectored to a separate location. All interrupt vector locations are shown in table 5.

The Interrupt flowchart is depicted in figure 18 and is common to every interrupt excluding reset. During interrupt servicing the Program Counter, Index Register, A Accumulator, B Accumulator, and Condition Code Register are pushed to the stack. The I-bit is set to inhibit maskable interrupts and a vector is fetched corresponding to the current highest priority interrupt. The vector is transferred to the Program Counter and instruction execution is resumed. Interrupt and RESET timing are illustrated in figures 19 and 20.

FUNCTIONAL PIN DESCRIPTIONS

V_{CC} AND V_{SS}

V_{CC} and V_{SS} provide power to a large portion of the MCU. The power supply should provide + 5 volts (± 5%) to V_{CC}, and V_{SS} should be tied to ground. Total power dissipation (including V_{CC} Standby), will not exceed P_D milliwatts.

V_{CC} STANDBY

V_{CC} Standby provides power to the standby portion (\$80 through \$BF) of the RAM and the STBY PWR and RAME bits of the RAM Control Register. Voltage requirements depend on whether the device is in a powerup or powerdown state. In the powerup state, the power supply should provide + 5 volts (± 5%) and must reach V_{SB} volts before RESET reaches 4.0 volts. During powerdown, V_{CC} Standby must remain above V_{SB} (min) to sustain the standby RAM and STBY PWR bit. While in powerdown operation, the standby current will not exceed I_{SB}.

It is typical to power both V_{CC} and V_{CC} Standby from the same source during normal operation. A diode must be used between them to prevent supplying power to V_{CC} during powerdown operation. V_{CC} Standby should be tied to ground in Mode 3.

Table 4 : Internal Register Area.

Register	Address
Port 1 Data Direction Register***	00
Port 2 Data Direction Register***	01
Port 1 Data Register	02
Port 2 Data Register	03
Port 3 Data Direction Register***	04*
Port 4 Data Direction Register***	05**
Port 3 Data Register	06*
Port 4 Data Register	07**
Timer Control and Status Register	08
Counter (high byte)	09
Counter (low byte)	0A
Output Compare Register (high byte)	0B
Output Compare Register (low byte)	0C
Input Capture Register (high byte)	0D
Input Capture Register (low byte)	0E
Port 3 Control and Status Register	0F*
Rate and Mode Control Register	10
Transmit/receive Control and Status Register	11
Receive Data Register	12
Transmit Data Register	13
RAM Control Register	14
Reserved	15-1F

* External addresses in Modes 0, 1, 2, 3, 5, 6 ; cannot be accessed in Mode 5 (No IOS)

** External addresses in Modes 0, 1, 2, 3

*** 1 = Output, 0 = Input

Table 5 : MCU Interrupt Vector Locations.

MSB	LSB	Interrupt
FFFE	FFFF	RESET
FFFC	FFFD	NMI
FFFA	FFFB	Software Interrupt (SWI)
FFF8	FFF9	IRQ1 (or IS3)
FFF6	FFF7	ICF (input capture)*
FFF4	FFF5	OCF (output compare)*
FFF2	FFF3	TOF (timer overflow)*
FFF0	FFF1	SCI (RDRF + ORFE + TDRE)*

* IRQ2 Interrupt

Figure 18 : Interrupt Flowchart.

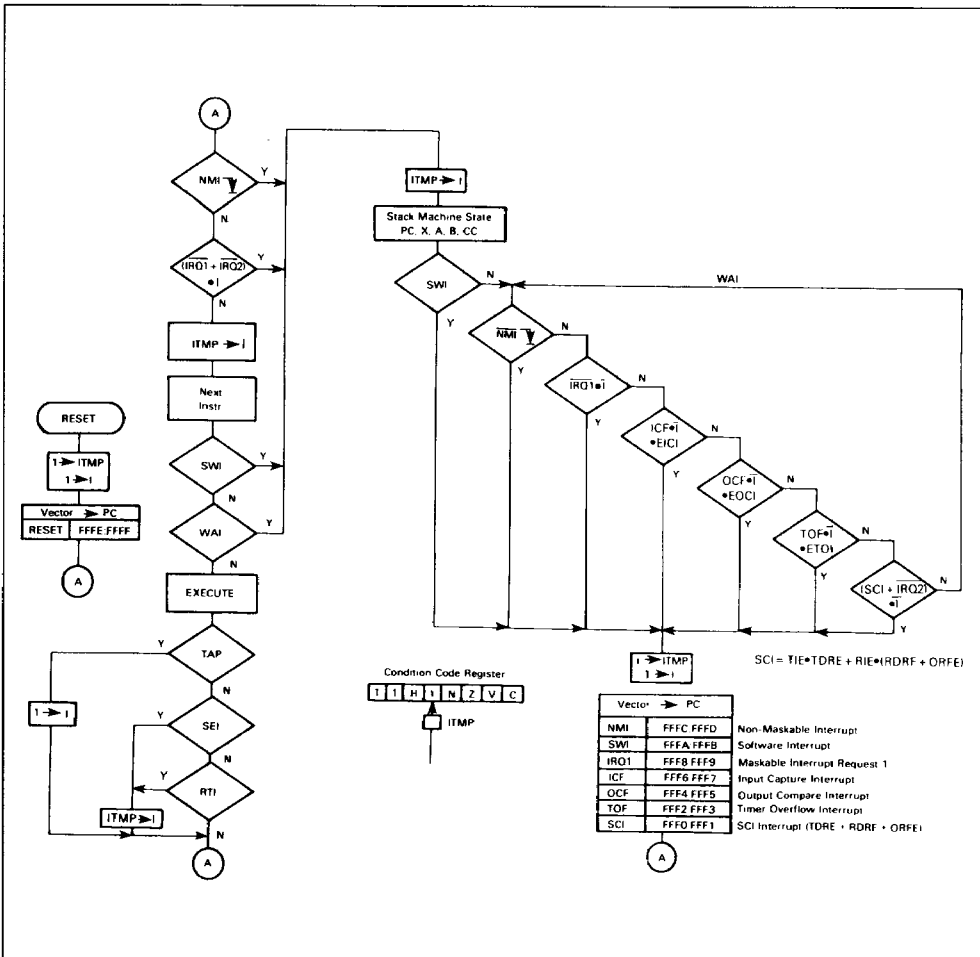


Figure 19 : Interrupt Sequence.

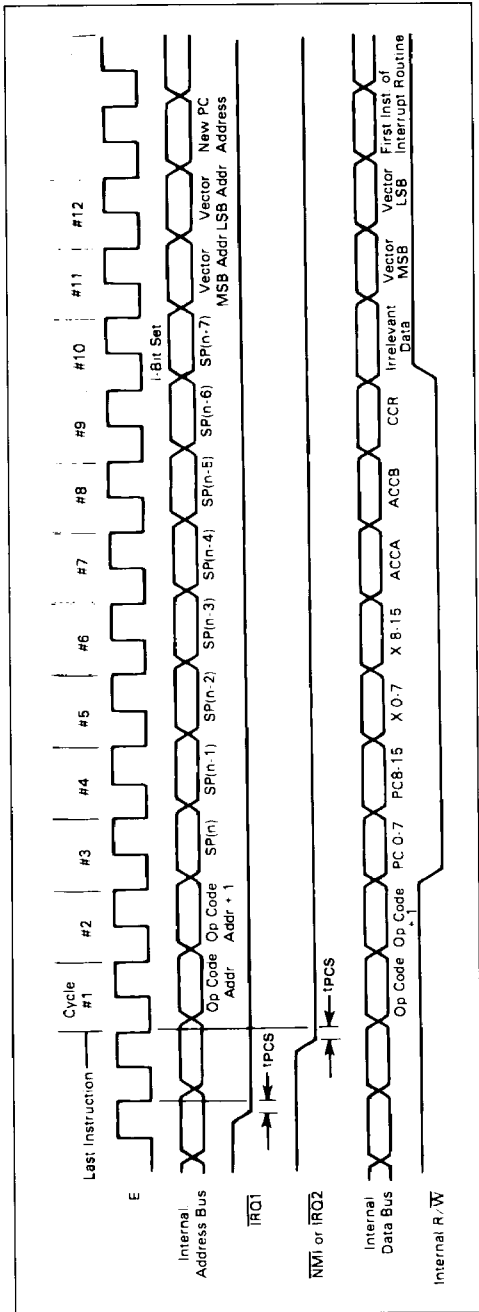
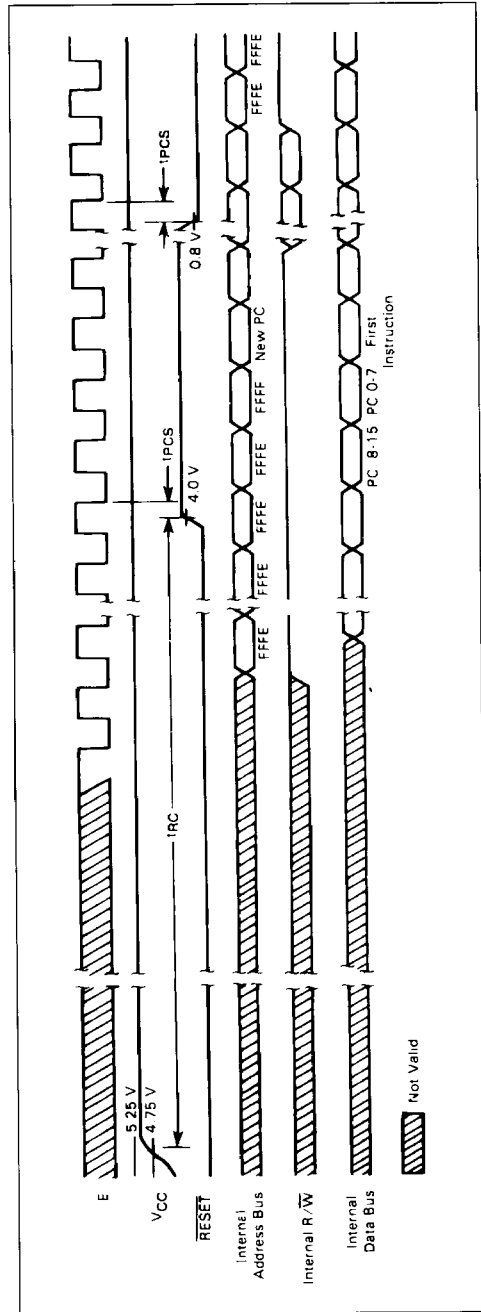


Figure 20 : Reset Timing.



XTAL1 AND EXTAL2

These two input pins interface either a crystal or TTL compatible clock to the MCU internal clock generator. Divide-by-four circuitry is included which allows use of the inexpensive 3.58MHz or 4.4336MHz Color Burst TV crystals. A 20pF capacitor should be tied from each crystal pin to ground to ensure reliable startup and operation. Alternatively, EXTAL2 may be driven by an external TTL compatible clock at $4f_0$ with a duty cycle of 50% ($\pm 5\%$) with XTAL1 connected to ground.

The internal oscillator is designed to interface with an AT-cut quartz crystal resonator operated in parallel resonance mode in the frequency range specified for f_{XTAL} . The crystal should be mounted as close as possible to the input pins to minimize output distortion and startup stabilization time.* The MCU is compatible with most commercially available crystals. Nominal crystal parameters are shown in figure 21.

RESET

This input is used to reset the internal state of the device and provide an orderly startup procedure. During powerup, RESET must be held below 0.8 volts: (1) at least t_{RC} after V_{CC} reaches 4.75 volts in order to provide sufficient time for the clock generator to stabilize, and (2) until V_{CC} Standby reaches 4.75 volts. RESET must be held low at least three E-cycles if asserted during powerup operation.

E (ENABLE)

This is an output clock used primarily for bus synchronization. It is TTL compatible and is the slightly skewed divide-by-four result of the device input clock frequency. It will drive one Schottky TTL load and 90pF, and all data given in cycles is referenced to this clock unless otherwise noted.

NMI (NON-MASKABLE INTERRUPT)

An NMI negative edge requests an MCU interrupt sequence, but the current instruction will be completed before it responds to the request. The MCU will then begin an interrupt sequence. Finally, a vector is fetched from \$FFFC and \$FFFD, transferred to the Program Counter and instruction execution is resumed. NMI typically requires a 3.3k Ω (nominal) resistor to V_{CC} . There is no internal NMI pullup resistor. NMI must be held low for at least one E-cycle to be recognized under all conditions.

IRQ1 (MASKABLE INTERRUPT REQUEST 1)

IRQ1 is a level-sensitive input which can be used to request an interrupt sequence. The MPU will com-

plete the current instruction before it responds to the request. If the interrupt mask bit (I-bit) in the Condition Code Register is clear, the MCU will begin an interrupt sequence. A vector is fetched from \$FFF8 and \$FFF9, transferred to the Program Counter, and instruction execution is resumed.

IRQ1 typically requires an external 3.3k Ω (nominal) resistor to V_{CC} for wire-OR applications. IRQ1 has no internal pullup resistor.

SC1 AND SC2 (STROBE CONTROL 1 AND 2)

The function of SC1 and SC2 depends on the operating mode. SC1 is configured as an output in all modes except single chip mode, whereas SC2 is always an output. SC1 and SC2 can drive one Schottky load and 90pF.

SC1 AND SC2 IN SINGLE-CHIP MODE. In Single-Chip Mode, SC1 and SC2 are configured as an input and output, respectively, and both function as Port 3 control lines. SC1 functions as IS3 and can be used to indicate that Port 3 input data is ready or output data has been accepted. Three options associated with IS3 are controlled by Port 3 Control and Status Register and are discussed in the Port 3 description. If unused, IS3 can remain unconnected.

SC2 is configured as OS3 and can be used to strobe output data or acknowledge input data. It is controlled by Output Strobe Select (OSS) in the Port 3 Control and Status Register. The strobe is generated by a read (OSS = 0) or write (OSS = 1) to the Port 3 Data Register. OS3 timing is shown in figure 4.

SC1 AND SC2 IN EXPANDED NON-MULTIPLEXED MODE. In the Expanded Non-Multiplexed Mode, both SC1 and SC2 are configured as outputs. SC1 functions as Input/Output Select (IOS) and is asserted only when \$0100 through \$01FF is sensed on the internal address bus.

SC2 is configured as Read/Write and is used to control the direction of data bus transfers. An MPU read is enabled when Read/Write and E are high.

SC1 AND SC2 IN EXPANDED MULTIPLEXED MODE. In the Expanded Multiplexed Modes, both SC1 and SC2 are configured as outputs. SC1 functions as Address Strobe and can be used to demultiplex the eight least significant addresses and the data bus. A latch controlled by Address Strobe captures address on the negative edge, as shown in figure 14.

SC2 is configured as Read/Write and is used to control the direction of data bus transfers. An MPU read is enabled when Read/Write and E are high.

P10-P17 (PORT 1)

Port 1 is a mode independent 8-bit I/O port with each line an input or output as defined by the Port 1 Data Direction Register. The TTL compatible three-state output buffers can drive one Schottky TTL load and 30pF, Darlington transistors, or CMOS devices using external pullup resistors. It is configured as a data input port by RESET. Unused lines can remain unconnected.

P20-P24 (PORT 2)

Port 2 is a mode-independent, 5-bit, multipurpose I/O port. The voltage levels present on P20, P21, and P22 on the rising edge of RESET determine the operating mode of the MCU. The entire port is then configured as a data input port. The Port 2 lines can be selectively configured as data output lines by setting the appropriate bits in the Port 2 Data Direction

Register. The Port 2 Data Register is used to move data through the port. However, if P21 is configured as an output, it will be tied to the timer Output Compare function and cannot be used to provide output from the Port 2 Data Register.

Port 2 can also be used to provide an interface for the Serial Communications Interface and the timer Input Edge function. These configurations are described in the Programmable Timer and Serial Communications Interface (SCI) section.

The Port 2 three-state, TTL-compatible output buffers are capable of driving one Schottky TTL load and 30pF, or CMOS devices using external pullup resistors.

PORT2 DATA REGISTER

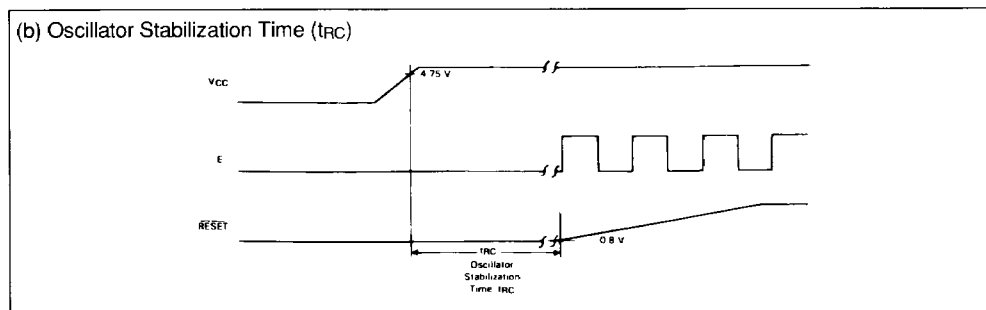
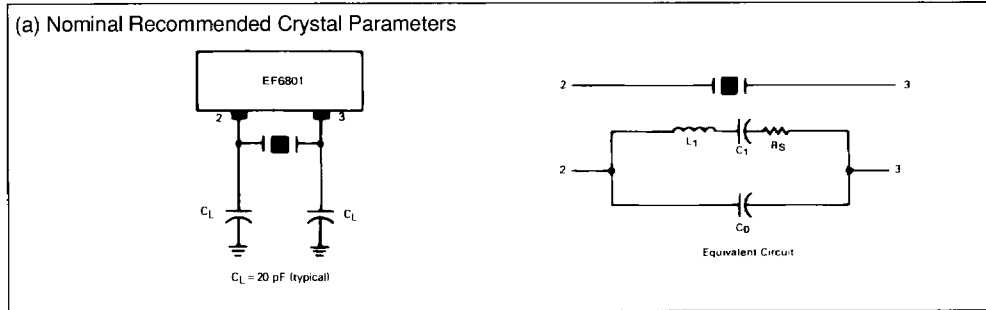
7	6	5	4	3	2	1	0	
PC2	PC1	PC0	P24	P23	P22	P21	P20	\$0003

Figure 21 : 6801 Family Oscillator Characteristics.

Nominal Crystal Parameters*

	3.58MHz	4.00MHz	5.0MHz	6.0MHz	8.0MHz
RS	60Ω	50Ω	30-50Ω	30-50Ω	20-40Ω
C0	3.5pF	6.5pF	4-6pF	4-6pF	4-6pF
C1	0.015pF	0.025pF	0.01-0.02pF	0.01-0.02pF	0.01-0.02pF
Q	> 40K	> 30K	> 20K	> 20K	> 20K

Note : These are representative AT-cut crystal parameters only. Crystals of other types of cut may also be used.



P30-P37 (PORT 3)

Port 3 can be configured as an I/O port, a bidirectional 8-bit data bus, or a multiplexed address/data bus depending on the operating mode. The TTL compatible three-state output buffers can drive one Schottky TTL load and 90pF. Unused lines can remain unconnected.

PORT 3 IN SINGLE-CHIP MODE. Port 3 is an 8-bit I/O port in the Single-Chip Mode, with each line configured by the Port 3 Data Direction Register. There are also two lines, IS3 and OS3, which can be used to control Port 3 data transfers.

Three Port 3 options are controlled by the Port 3 Control and Status Register and are available only in Single-Chip Mode : (1) Port 3 input data can be latched using IS3 as a control signal, (2) OS3 can be generated by either an MPU read or write to the Port 3 Data Register, and (3) an IRQ1 interrupt can be enabled by an IS3 negative edge. Port 3 latch timing is shown in figure 5.

PORT 3 CONTROL AND STATUS REGISTER

7	6	5	4	3	2	1	0	
IS3	IS3 IRQ1 Enable	X	OSS	Enable	X	X	X	\$000F

- Bit 0-2 Not used.
- Bit 3 **LATCH ENABLE.** This bit controls the input latch for Port 3. If set, input data is latched by an IS3 negative edge. The latch is transparent after a read of the Port 3 Data Register. LATCH ENABLE is cleared during reset.
- Bit 4 **OSS (Output Strobe Select).** This bit determines whether OS3 will be generated by a read or write of the Port 3 Data Register. When clear, the strobe is generated by a read ; when set, it is generated by a write. OSS is cleared during reset.
- Bit 5 Not used.
- Bit 6 **IS3 IRQ1 ENABLE.** When set, an IRQ1 interrupt will be enabled whenever IS3 FLAG is set ; when clear, the interrupt is inhibited. This bit is cleared during reset.

Bit 7

IS3 FLAG. This read-only status bit is set by an IS3 negative edge. It is cleared by a read of the Port 3 Control and Status Register (with IS3 FLAG set) followed by a read or write to the Port 3 Data Register or during reset.

PORT 3 IN EXPANDED NON-MULTIPLEXED MODE. Port 3 is configured as a bidirectional data bus (D7-D0) in the Expanded Non-Multiplexed Mode. The direction of data transfers is controlled by Read/Write (SC2). Data is clocked by E (Enable).

PORT 3 IN EXPANDED MULTIPLEXED MODE. Port 3 is configured as a time multiplexed address (A0-A7) and data bus (D7-D0) in the Expanded Multiplexed Modes, where Address Strobe (AS) can be used to demultiplex the two buses. Port 3 is held in a high impedance state between valid address and data to prevent bus conflicts.

P40-P47 (PORT 4)

Port 4 is configured as an 8-bit I/O port, as address outputs, or as data inputs depending on the operating mode. Port 4 can drive one Schottky TTL load and 90pF and is the only port with internal pullup resistors. Unused lines can remain unconnected.

PORT 4 IN SINGLE-CHIP MODE. In Single-Chip Mode, Port 4 functions as an 8-bit I/O port with each line configured by the Port 4 Data Direction Register. Internal pullup resistors allow the port to directly interface with CMOS at 5 volt levels. External pullup resistors to more than 5 volts, however, cannot be used.

PORT 4 IN EXPANDED NON-MULTIPLEXED MODE. Port 4 is configured from reset as an 8-bit input port, where the Port 4 Data Direction Register can be written to provide any or all of eight address lines, A0 to A7. Internal pullup resistors pull the lines high until the Port 4 Data Direction Register is configured.

PORT 4 IN EXPANDED MULTIPLEXED MODE. In all Expanded Multiplexed modes except Mode 6, Port 4 functions as half of the address bus and provides A8 to A15. In Mode 6, the port is configured from reset as an 8-bit parallel input port, where the Port 4 Data Direction Register can be written to provide any or all of upper address lines A8 to A15. Internal pullup resistors pull the lines high until the Port 4 Data Direction Register is configured, where bit 0 controls A8.

RESIDENT MEMORY

The EF6801 provides 2048 bytes of on-board ROM and 128 bytes of on-board RAM.

One half of the RAM is powered through the V_{CC} standby pin and is maintainable during V_{CC} power-down. This standby portion of the RAM consists of 64 bytes located from \$80 through \$BF.

Power must be supplied to V_{CC} standby if the internal RAM is to be used regardless of whether standby power operation is anticipated.

The RAM is controlled by the RAM Control Register.

RAM CONTROL REGISTER (\$14)

The RAM Control Register includes two bits which can be used to control RAM accesses and determine the adequacy of the standby power source during powerdown operation. It is intended that RAME be cleared and STBY PWR be set as part of a powerdown procedure.

RAM CONTROL REGISTER							
7	6	5	4	3	2	1	0
STY PWR	RAME	X	X	X	X	X	X

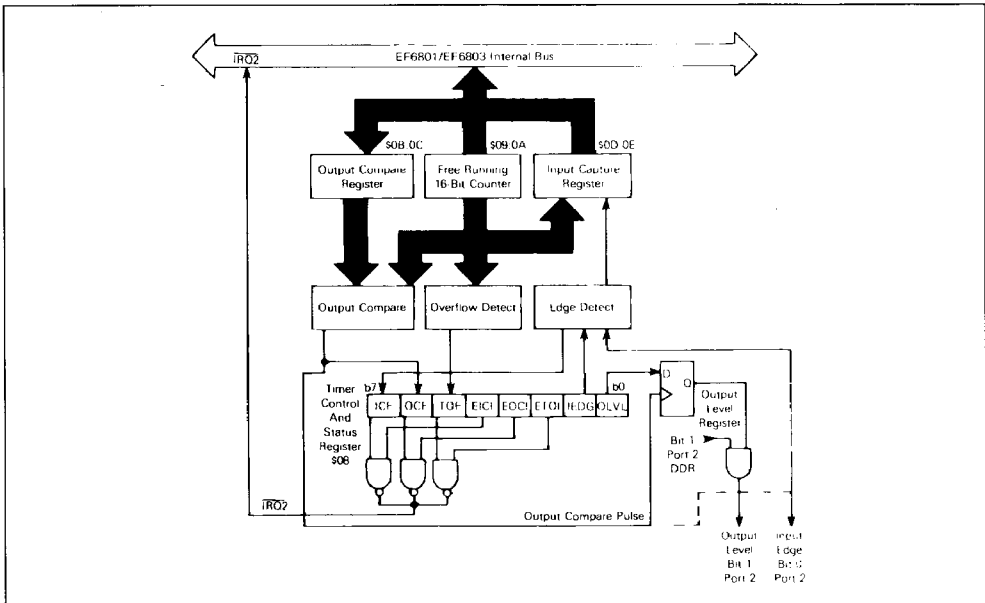
Bit 0-5 Not used

Bit 6 RAME RAM Enable. This read/write bit can be used to remove the en-

tire RAM from the internal memory map. RAME is set (enabled) during reset provided standby power is available on the positive edge of RESET. If RAME is clear, any access to a RAM address is external. If RAME is set and not in mode 3, the RAM is included in the internal map.

Bit 7 STBY PWR Standby Power. This bit is a read/write status bit which, when once set, remains set as long as V_{CC} standby remains above V_{SBB} (minimum). As long as this bit is set following a period of standby operation, the standby power supply has adequately preserved the data in the standby RAM. If this bit is cleared during a period of standby operation, it indicates that V_{CC} standby had fallen to a level sufficiently below V_{SBB} (minimum) to suspect that data in the standby RAM is not valid. This bit can be set only by software and is not affected during reset.

Figure 22 : Block Diagram of Programmable Timer.



PROGRAMMABLE TIMER

The programmable timer can be used to perform input waveform measurements while independently generating an output waveform. Pulse widths can vary from several microseconds to many seconds. A block diagram of the timer is shown in figure 22.

COUNTER (\$09:0A)

The key timer element is a 16-bit free-running counter which is incremented by E (enable). It is cleared during reset and is read-only with one exception : a write to the counter (\$09) will preset it to \$FFF8. This feature, intended for testing, can disturb serial operations because the counter provides the SCI internal bit rate clock. TOF is set whenever the counter contains all ones.

OUTPUT COMPARE REGISTER (\$0B:0C)

The output compare register is a 16-bit read/write register used to control an output waveform or provide an arbitrary timeout flag. It is compared with the free-running counter on each E cycle. When a match occurs, OCF is set and OLVL is clocked to an output level register. If port 2, bit 1, is configured as an output, OLVL will appear at P21 and the output compare register and OLVL can then be changed for the next and OLVL is clocked to an output level register. If Port 2, bit 1, is configured as an output, OLVL will appear at P21 and the Output Compare Register and OLVL can then be changed for the next compare. The function is inhibited for one cycle after a write to its high byte (\$0B) to ensure a valid compare. The Output Compare Register is set to \$FFFF at RESET.

INPUT CAPTURE REGISTER (\$0D:0E)

The Input Capture Register is a 16-bit read-only register used to store the free-running counter when a "proper" input transition occurs as defined by IEDG. Port 2, bit 0 should be configured as an input, but the edge detect circuit always senses P20 even when configured as an output. An input capture can occur independently of ICF : the register always contains the most current value. Counter transfer is inhibited, however, between accesses of a double byte MPU read. The input pulse width must be at least two E-cycles to ensure an input capture under all conditions.

TIMER CONTROL AND STATUS REGISTER (\$08)

The Timer Control and Status Register (TCSR) is an 8-bit register of which all bits are readable, while only bits 0-4 can be written. The three most significant bits provide the timer status and indicate if :

- a proper level transition has been detected,
- a match has occurred between the free-running counter and the output compare register, and
- the free-running counter has overflowed.

Each of the three events can generate an $\overline{\text{IRQ2}}$ interrupt and is controlled by an individual enable bit in the TCSR.

TIMER CONTROL AND STATUS REGISTER (TCSR)

7	6	5	4	3	2	1	0	
ICF	OCF	TOF	EICI	EOCI	ETOI	IEDG	OLVL	\$008

- Bit 0 OLVL Output level. OLVL is clocked to the output level register by a successful output compare and will appear at P21 if Bit 1 of the Port 2 Data Direction Register is set. It is cleared during reset.
- Bit 1 EIDG Input Edge. IEDG is cleared during reset and controls which level transition will trigger a counter transfer to the Input Capture Register :
 IEDG = 0 Transfer on a negative-edge
 IEDG = 1 Transfer on a positive-edge
- Bit 2 ETOI Enable Timer Overflow Interrupt. When set, an IRQ2 interrupt is enabled for a timer overflow ; when clear, the interrupt is inhibited. It is cleared during reset.
- Bit 3 EOCI Enable Output Compare Interrupt. When set, an IRQ2 interrupt is enabled for an output compare ; when clear, the interrupt is inhibited. It is cleared during reset.
- Bit 4 EICI Enable Input Capture Interrupt. When set, an IRQ2 interrupt is enabled for an input capture ; when clear, the interrupt is inhibited. It is cleared during reset.
- Bit 5 TOF Timer Overflow Flag. TOF is set when the counter contains all 1's. It is cleared by reading the TCSR (with TOF set) then reading the counter high byte (\$09), or during reset.

Bit 6 OCF Output Compare Flag. OCF is set when the Output Compare Register matches the free-running counter. It is cleared by reading the TCSR (with OCF set) and then writing to the Output Compare Register (\$0B or \$0C), or during reset.

Bit 7 ICF Input Capture Flag. ICF is set to indicate a proper level transition ; it is cleared by reading the TCSR (with ICF set) and then the Input Capture Register High Byte (\$0D), or during reset.

SERIAL COMMUNICATIONS INTERFACE (SCI)

A full-duplex asynchronous Serial Communications Interface (SCI) is provided with two data formats and a variety of rates. The SCI transmitter and receiver are functionally independent, but use the same data format and bit rate. Serial data formats include standard mark/space (NRZ) and Biphase and both provide one start bit, eight data bits, and one stop bit. "Baud" and "bit rate" are used synonymously in the following description.

WAKE-UP FEATURE

In a typical serial loop multi-processor configuration, the software protocol will usually identify the addresse(s) at the beginning of the message. In order to permit uninterested MPU's to ignore the remainder of the message, a wake-up feature is included whereby all further SCI receiver flag (and interrupt) processing can be inhibited until its data line goes idle. An SCI receiver is re-enabled by an idle string of ten consecutive 1's or during reset. Software must provide for the required idle string between consecutive messages and prevent it within messages.

PROGRAMMABLE OPTIONS

The following features of the SCI are programmable :

- format : standard mark/space (NRZ) or Bi-phase
- clock : external or internal bit rate clock
- Baud : one of 4 per E-clock frequency, or external clock (x 8 desired baud)
- wake-up feature : enabled or disabled
- interrupt requests : enabled individually for transmitter and receiver
- clock output : internal bit rate clock enabled or disabled to P22

SERIAL COMMUNICATIONS REGISTERS

The Serial Communications Interface includes four addressable registers as depicted in figure 23. It is controlled by the Rate and Mode Control Register and the Transmit/Receive Control and Status Register. Data is transmitted and received utilizing a write-only Transmit Register and a read-only Receive Register. The shift registers are not accessible to software.

RATE AND MODE CONTROL REGISTER (RMCR) (\$10). The Rate and Mode Control Register controls the SCI bit rate, format, clock source, and under certain conditions, the configuration of P22. The register consists of four write-only bits which are cleared during reset. The two least significant bits control the bit rate of the internal clock and the remaining two bits control the format and clock source.

RATE AND MODE CONTROL REGISTER (RMCR)

	7	6	5	4	3	2	1	0	
	X	X	X	X	CC1	CC0	SS1	SS0	\$0010

Bit 1 : Bit 0 SS1 : SS0 Speed Select.

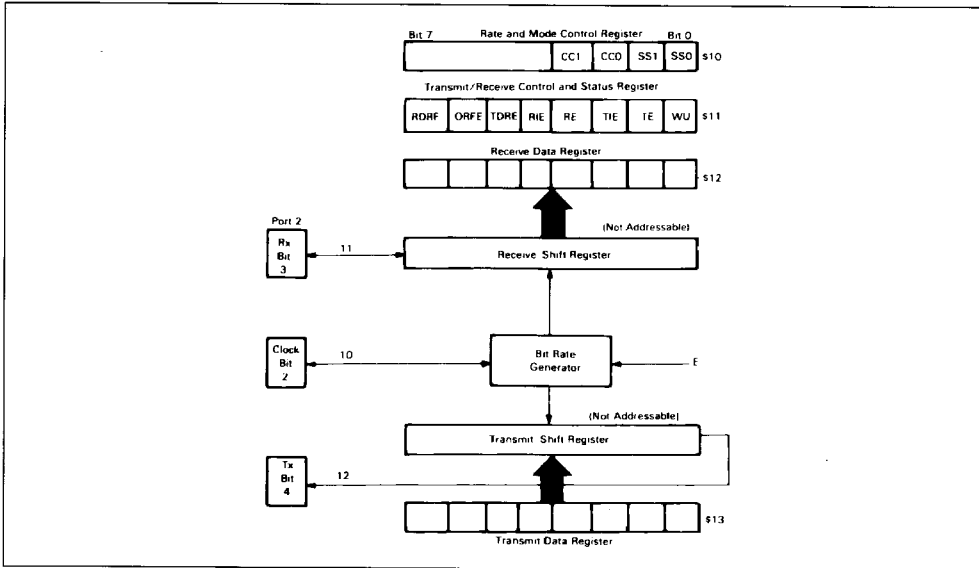
These two-bits select the Baud rate when using the internal clock. Four rates may be selected which are a function of the MCU input frequency. Table 6 lists bit time and rates for three selected MCU frequencies.

Bit 3 : Bit 2 CC1 : CC0 Clock Control and Format Select. These two bits control the format and select the serial clock source. If CC1 is set, the DDR value for P22 is forced to the complement of CC0 and cannot be altered until CC1 is cleared. If CC1 is cleared after having been set, its DDR value is unchanged. Table 7 defines the formats, clock source, and use of P22.

If both CC1 and CC0 are set, an external TTL compatible clock must be connected to P22 at eight times (8X) the desired bit rate, but not greater than E, with a duty cycle of 50% (± 10%). If CC1 : CC0 = 10, the internal bit rate clock is provided at P22 regardless of the values for TE or RE.

NOTE : The source of SCI internal bit rate clock is the timer free running counter. An MPU write to the counter can disturb serial operations.

Figure 23 : SCI Registers.



TRANSMIT/RECEIVE CONTROL AND STATUS REGISTER (TRCSR) (\$11). The Transmit/Receive Control and Status Register controls the transmitter, receiver, wake-up feature, and two individual interrupts and monitors the status of serial operations. All eight bits are readable while bits 0 to 4 are also writable. The register is initialized to \$20 by RESET.

TRANSMIT/RECEIVE CONTROL AND STATUS REGISTER (TRCSR)

7	6	5	4	3	2	1	0	
RDRF	ORFE	TDRE	RIE	RE	TIE	TE	WU	\$001

- Bit 0 WU "Wake-up" on Idle Line. When set, WU enables the wake-up function ; it is cleared by ten consecutive 1's or during reset. WU will not set if the line is idle.
- Bit 1 TE Transmit Enable. When set, P24 DDR bit is set, cannot be changed, and will remain set if TE is subsequently cleared. When TE is changed from clear to set, the transmitter is connected to P24 and a preamble of nine consecutive 1's is transmitted. TE is cleared during reset.
- Bit 2 TIE Transmit Interrupt Enable. When set, an IRQ2 interrupt is

enabled when TDRE is set ; when clear, the interrupt is inhibited. TE is cleared during reset.

Bit 3 RE

Receive Enable. When set, the P23 DDR bit is cleared, cannot be changed, and will remain clear if RE is subsequently cleared. While RE is set, the SCI receiver is enabled. RE is cleared during reset.

Bit 4 RIE

Receiver Interrupt Enable. When set, an IRQ2 interrupt is enabled when RDRF and/or ORFE is set ; when clear, the interrupt is inhibited. RIE is cleared during reset.

Bit 5 TDRE

Transmit Data Register Empty. TDRE is set when the Transmit Data Register is transferred to the output serial shift register or during reset. It is cleared by reading the TRCSR (with TDRE set) and then writing to the Transmit Data Register. Additional data will be transmitted only if TDRE has been cleared.

Bit 6 ORFE **Overrun Framing Error.** If set, ORFE indicates either an overrun or framing error. An overrun is a new byte ready to transfer to the Receiver Data Register with RDRF still set. A receiver framing error has occurred when the byte boundaries of the bit stream are not synchronized to the bit counter. An overrun can be distinguished from a framing error by the state of RDRF : if RDRF is set, then an overrun has occurred ; otherwise a framing error has been detected. Data is not transferred to the Receive Data Register in an overrun condition. Unframed data causing a

framing error is transferred to the Receive Data Register. However, subsequent data transfer is blocked until the framing error flag is cleared.* ORFE is cleared by reading the TRCSR (with ORFE set) then the Receive Data Register, or during reset.

Bit 7 RDRF

Receive Data Register Full. RDRF is set when the input serial shift register is transferred to the Receive Data Register. It is cleared by reading the TRCSR (with RDRF set), and then the Receive Data Register, or during reset.

Table 6 : SCI Bit Times and Rates.

SS1 : SS0		4 f _o →	2.4576MHz	4.0MHz	4.9152MHz
		E	614.4kHz	1.0MHz	1.2288MHz
0	0	+ 16	26µs/38.400 Baud	16µs/62.500 Baud	13.0µs/76.800 Baud
0	1	+ 128	208µs/4.800 Baud	128µs/7812.5 Baud	104.2µs/9.600 Baud
1	0	+ 1024	1.67ms/600 Baud\$	1.024ms/976.6 Baud	833.3µs/1.200 Baud
1	1	+ 4096	6.67ms/150 Baud	4.096ms/244.1 Baud	3.33ms/300 Baud
*External (P22)			13.0µs/76.800 Baud	8.0µs/125.000 Baud	6.5µs/153.600 Baud

* Using maximum clock rate

Table 7 : SCI Format and Clock Source Control.

CC1:CC0	Format	Clock Source	Port 2 Bit 2
00	Bi-phase	Internal	Not used
01	NRZ	Internal	Not used
10	NRZ	Internal	Output
11	NRZ	External	Input

SERIAL OPERATIONS

The SCI is initialized by writing control bytes first to the Rate and Mode Control Register and then to the Transmit/Receive Control and Status Register. When TE is set, the output of the transmit serial shift register is connected to P24 and serial output is initiated by transmitting a 9-bit preamble of 1's.

At this point one of two situations exist : 1) if the Transmit Data Register is empty (TDRE = 1), a continuous string of 1's will be sent indicating an idle line, or 2) if a byte has been written to the Transmit-Data Register (TDRE = 0), it will be transferred to

the output serial shift register (synchronized with the bit rate clock), TDRE will be set, and transmission will begin.

The start bit (0), eight data bits (beginning with bit 0) and a stop bit (1), will be transmitted. If TDRE is still set when the next byte transfer should occur, 1's will be sent until more data is provided. In Bi-phase format, the output toggles at the start of each bit and at half-bit time when a "1" is sent. Receive operation is controlled by RE which configures P23 as an input and enables the receiver. SCI data formats are illustrated in figure 24.

INSTRUCTION SET

The EF6801/03 is upward source and object code compatible with the EF6800. Execution times of key instructions have been reduced and several new instructions have been added, including a hardware multiply. A list of new operations added to the EF6800 instruction set is shown in table 1.

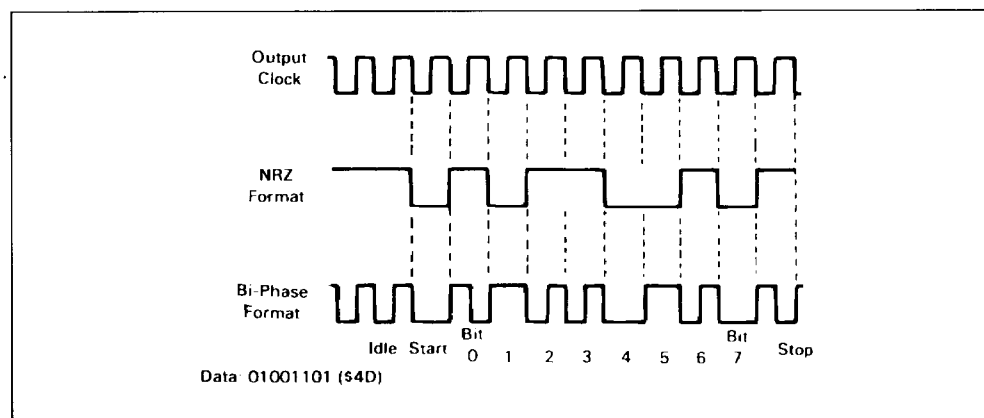
In addition, two new special opcodes, 4E and 5E, are provided for test purposes. These opcodes force the Program Counter to increment like a 16-bit counter, causing address lines used in the expanded modes to increment until the device is reset. These opcodes have no mnemonics.

The coding of the first (or only) byte corresponding to an executable instruction is sufficient to identify the instruction and the addressing mode. The hexadecimal equivalents of the binary codes, which result from the translation of the 82 instructions in all valid modes of addressing, are shown in table 8. There are 220 valid machine codes, 34 unassigned codes, and 2 codes reserved for test purposes.

PROGRAMMING MODEL

A programming model for the EF6801/03 is shown in figure 10. Accumulator A can be concatenated with accumulator B and jointly referred to as accumulator D where A is the most significant byte. Any operation which modifies the double accumulator will also modify accumulator A and/or B. Other registers are defined as follows :

Figure 24 : SCI Data Formats.



PROGRAM COUNTER. The program counter is a 16-bit register which always points to the next instruction.

STACK POINTER. The stack pointer is a 16-bit register which contains the address of the next available location in a pushdown/pullup (LIFO) queue. The stack resides in random access memory at a location defined by the programmer.

INDEX REGISTER. The Index Register is a 16-bit register which can be used to store data or provide an address for the indexed mode of addressing.

ACCUMULATORS. The MPU contains two 8-bit accumulators, A and B, which are used to store operands and results from the arithmetic logic unit (ALU). They can also be concatenated and referred to as the D (double) accumulator.

CONDITION CODE REGISTERS. The condition code register indicates the results of an instruction and includes the following five condition bits : Negative (N), Zero (Z), Overflow (V), Carry/Borrow from MSB (C), and Half Carry from bit 3 (H). These bits are testable by the conditional branch instructions. Bit 4 is the interrupt mask (I-bit) and inhibits all maskable interrupts when set. The two unused bits, B6 and B7, are read as ones.

ADDRESSING MODES

Six addressing modes can be used to reference memory. A summary of addressing modes for all instructions is presented in table 9, 10, 11, and 12, where execution times are provided in E-cycles. Instruction execution times are summarized in table 13. With an input frequency of 4MHz, E-cycles are equivalent to microseconds. A cycle-by-cycle description of bus activity for each instruction is provided in table 14 and a description of selected instructions is shown in figure 25.

IMMEDIATE ADDRESSING. The operand or "immediate byte(s)" is contained in the following byte(s) of the instruction where the number of bytes matches the size of the register. These are two or three byte instructions.

DIRECT ADDRESSING. The least significant byte of the operand address is contained in the second byte of the instruction and the most significant byte is assumed to be \$00. Direct addressing allows the user to access \$00 through \$FF using two byte instructions and execution time is reduced by elimi-

nating the additional memory access. In most applications, the 256-byte area is reserved for frequently referenced data.

EXTENDED ADDRESSING. The second and third bytes of the instruction contain the absolute address of the operand. These are three byte instructions.

INDEXED ADDRESSING. The unsigned offset contained in the second byte of the instruction is added with carry to the Index Register and used to reference memory without changing the Index Register. These are two byte instructions.

INHERENT ADDRESSING. The operand(s) are registers and no memory reference is required. These are single byte instructions.

RELATIVE ADDRESSING. Relative addressing is used only for branch instructions. If the branch condition is true, the Program Counter is overwritten with the sum of a signed single byte displacement in the second byte of the instruction and the current Program Counter. This provides a branch range of - 126 to 129 bytes from the first byte of the instruction. These are two byte instructions.

Table 8 : CPU Instruction Map.

OP	MNEM	MODE	~	#	OP	MNEM	MODE	~	#	OP	MNEM	MODE	~	#	OP	MNEM	MODE	~	#	OP	MNEM	MODE	~	#
00	*				34	DES	INHER	3	1	68	ASL	INDXD	6	2	9C	CPX	DIR	5	2	D0	SUBB	DIR	3	2
01	NOP	INHER	2	1	35	TXS		3	1	69	ROL		6	2	9D	JSR		5	2	D1	CMPB		3	2
02	*				36	PSHA		3	1	6A	DEC		6	2	9E	LDS		4	2	D2	SBCB		3	2
03	*				37	PSHB		3	1	6B	*				9F	STS	DIR	4	2	D3	ADD		5	2
04	LSRD		3	1	38	PULX		5	1	6C	INC		6	2	A0	SUBA	INDXD	4	2	D4	ANDB		3	2
05	ASLD		3	1	39	RTS		5	1	6D	TST		6	2	A1	CMPA		4	2	D5	BITB		3	2
06	TAP		2	1	3A	ABX		3	1	6E	JMP		3	2	A2	SBCA		4	2	D6	LDAB		3	2
07	TPA		2	1	3B	RTI		10	1	6F	CLR	INDXD	6	2	A3	SUBD		6	2	D7	STAB		3	2
08	INX		3	1	3C	PSHX		4	1	70	NEG	EXTND	6	3	A4	ANDA		4	2	D8	EORB		3	2
09	DEX		3	1	3D	MUL		10	1	71	*				A5	BITA		4	2	D9	ADCB		3	2
0A	CLV		2	1	3E	WAI		9	1	72	*				A6	LDAA		4	2	DA	ORAB		3	2
0B	SEV		2	1	3F	SWI		12	1	73	COM		6	3	A7	STAA		4	2	DB	ADDB		3	2
0C	CLC		2	1	40	NEGA		2	1	74	LSR		6	3	A8	EORA		4	2	DC	LDD		4	2
0D	SEC		2	1	41	*				75	*				A9	ADCA		4	2	DD	STD		4	2
0E	CLI		2	1	42	*				76	ROR		6	3	AA	ORAA		4	2	DE	LDX		4	2
0F	SEI		2	1	43	COMA		2	1	77	ASR		6	3	AB	ADDA		4	2	DF	STX	DIR	4	2
10	SBA		2	1	44	LSRA		2	1	78	ASL		6	3	AC	CPX		6	2	E0	SUBB	INDXD	4	2
11	CBA		2	1	45	*				79	ROL		6	3	AD	JSR		6	2	E1	CMPB		4	2
12	*				46	RORA		2	1	7A	DEC		6	3	AE	LDS		5	2	E2	SBCB		4	2
13	*				47	ASRA		2	1	7B	*				AF	STS	INDXD	5	2	E3	ADD		6	2
14	*				48	ASLA		2	1	7C	INC		6	3	B0	SUBA	EXTND	4	3	E4	ANDB		4	2
15	*				49	ROLA		2	1	7D	TST		6	3	B1	CMPA		4	3	E5	BITB		4	2
16	TAB		2	1	4A	DECA		2	1	7E	JMP		3	3	B2	SBCA		4	3	E6	LDAB		4	2
17	TBA		2	1	4B	*				7F	CLR	EXTND	6	3	B3	SUBD		6	3	E7	STAB		4	2
18	*				4C	INCA		2	1	80	SUBA	IMMED	2	2	B4	ANDA		4	3	E8	EORB		4	2
19	DAA	INHER	2	1	4D	TSTA		2	1	81	CMPA		2	2	B5	BITA		4	3	E9	ADCB		4	2
1A	*				4E	T				82	SBCA		2	2	B6	LDAA		4	3	EA	ORAB		4	2
1B	ABA	INHER	2	1	4F	CLRA		2	1	83	SUBD		4	3	B7	STAA		4	3	EB	ADDB		4	2
1C	*				50	NEGB		2	1	84	ANDA		2	2	B8	EORA		4	3	EC	LDD		5	2
1D	*				51	*				85	BITA		2	2	B9	ADCA		4	3	ED	STD		5	2
1E	*				52	*				86	LDAA		2	2	BA	ORAA		4	3	EE	LDX		5	2
1F	*				53	COMB		2	1	87	*				BB	ADDA		4	3	EF	STX	INDXD	5	2
20	BRA	REL	3	2	54	LSRB		2	1	88	EORA		2	2	BC	CPX		6	3	F0	SUBB	EXTND	4	3
21	BRN		3	2	55	*				89	ADCA		2	2	BD	JSR		6	3	F1	CMPB		4	3
22	BHI		3	2	56	RORB		2	1	8A	ORAA		2	2	BE	LDS		5	3	F2	SBCB		4	3
23	BLS		3	2	57	ASRB		2	1	8B	ADDA		2	2	BF	STS	EXTND	5	3	F3	ADD		6	3
24	BCC		3	2	58	ASLB		2	1	8C	CPX	IMMED	4	3	C0	SUBB	IMMED	2	2	F4	ANDB		4	3
25	BCS		3	2	59	ROLB		2	1	8D	BSR	REL	6	2	C1	CMPB		2	2	F5	BITB		4	3
26	BNE		3	2	5A	DECB		2	1	8E	LDS	IMMED	3	3	C2	SBCB		2	2	F6	LDAB		4	3
27	BEQ		3	2	5B	*				8F	*				C3	ADD		4	3	F7	STAB		4	3
28	BVC		3	2	5C	INCB		2	1	90	SUBA	DIR	3	2	C4	ANDB		2	2	F8	EORB		4	3
29	BVS		3	2	5D	TSTB		2	1	91	CMPA		3	2	C5	BITB		2	2	F9	ADCB		4	3
2A	BPL		3	2	5E	T				92	SBCA		3	2	C6	LDAB		2	2	FA	ORAB		4	3
2B	BMI		3	2	5F	CLRB	INHER	2	1	93	SUBD		5	2	C7	*				FB	ADDB		4	3
2C	BGE		3	2	60	NEG	INDXD	6	2	94	ANDA		3	2	C8	EORB		2	2	FC	LDD		5	3
2D	BLT		3	2	61	*				95	BITA		3	2	C9	ADCB		2	2	FD	STD		5	3
2E	BGT		3	2	62	*				96	LDAA		3	2	CA	ORAB		2	2	FE	LDX		5	3
2F	BLE	REL	3	2	63	COM		6	2	97	STAA		3	2	CB	ADDB		2	2	FF	STX	EXTND	5	3
30	TSX	INHER	3	1	64	LSR		6	2	98	EORA		3	2	CC	LDD		3	3					
31	INS		3	1	65	*				99	ADCA		3	2	CD	*								
32	PULA		4	1	66	ROR		6	2	9A	ORAA		3	2	CE	LDX	IMMED	3	3					
33	PULB		4	1	67	ASR	INDXD	6	2	9B	ADDA		3	2	CF	*								

Notes : 1. Addressing Modes

INHER = Inherent

REL = Relative

INDXD = Indexed

EXTND = Extended

IMMED = Immediate

DIR = Direct


2. Unassigned opcodes are indicated by "." and should not be executed.

3. Codes marked by "T" force the PC to function as a 16-bit counter.

Table 9 : Index Register and Stack Manipulation Instructions.

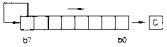
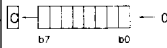

Pointer Operations	Mnem	Immed		Direct		Index		Extnd		Inherent		Boolean/ Arithmetic Operation	Condition Codes									
		OP	#	OP	#	OP	#	OP	#	OP	#		5	4	3	2	1	0				
													H	I	N	Z	V	C				
Compare Index Register	CPX	8C	4	3	9C	5	2	AC	6	2	BC	6	3			$X - M : M + 1$	•	•	•	•	•	•
Decrement Index Register	DEX												09	3	1	$X - 1 \rightarrow X$	•	•	•	•	•	•
Decrement Stack Pointer	DES												34	3	1	$SP - 1 \rightarrow SP$	•	•	•	•	•	•
Increment Index Register	INX												08	3	1	$X + 1 \rightarrow X$	•	•	•	•	•	•
Increment Stack Pointer	INS												31	3	1	$1 SP + 1 \rightarrow SP$	•	•	•	•	•	•
Load Index Register	LDX	CE	3	3	DE	4	2	EE	5	2	FE	5	3			$M \cdot X_H, (M + 1) \cdot X_L$	•	•	•	•	R	•
Load Stack Pointer	LDS	8E	3	3	9E	4	2	AE	5	2	BE	5	3			$M \rightarrow SP_H, (M + 1) \rightarrow SP_L$	•	•	•	•	R	•
Store Index Register	STX				DF	4	2	EF	5	2	FF	5	3			$X_H \rightarrow M, X_L \rightarrow (M + 1)$	•	•	•	•	R	•
Store Stack Pointer	STS				9F	4	2	AF	5	2	BF	5	3			$SP_H \cdot M, SP_L \cdot (M + 1)$	•	•	•	•	R	•
Index Reg \rightarrow Stack Pointer	TXS												35	3	1	$X - 1 \rightarrow SP$	•	•	•	•	•	•
Stack Pntr \rightarrow Index Register	TSX												30	3	1	$SP + 1 \rightarrow X$	•	•	•	•	•	•
Add	ABX												3A	3	1	$B + X \rightarrow X$	•	•	•	•	•	•
Push Data	PSHX												3C	4	1	$X_L \rightarrow M_{SP}, SP - 1 \rightarrow SP$ $X_H \rightarrow M_{SP}, SP - 1 \rightarrow SP$	•	•	•	•	•	•
Pull Data	PULX												38	5	1	$SP + 1 \rightarrow SP, M_{SP} \rightarrow X_H$ $SP + 1 \rightarrow SP, M_{SP} \rightarrow X_L$	•	•	•	•	•	•

Table 10 : Accumulator and Memory Instructions.

Accumulator and Memory Operations	MNE	Immed		Direct		Index		Extend		Inher		Boolean Expression	Condition Codes									
		Op	#	Op	#	Op	#	Op	#	Op	#		H	I	N	Z	V	C				
Add Acmltrs	ABA											1B	2	1	$A + B \rightarrow A$	•	•	•	•	•	•	
Add B to X	ABX											3A	3	1	$00 : B + X \rightarrow X$	•	•	•	•	•	•	
Add with Carry	ADCA	89	2	2	99	3	2	A9	4	2	B9	4	3			$A + M + C \rightarrow A$	•	•	•	•	•	•
	ADCB	C9	2	2	D9	3	2	E9	4	2	F9	4	3			$B + M + C \rightarrow B$	•	•	•	•	•	•
Add	ADDA	8B	2	2	9B	3	2	AB	4	2	BB	4	3			$A + M \rightarrow A$	•	•	•	•	•	•
	ADDB	CB	2	2	DB	3	2	EB	4	2	FB	4	3			$B + M \rightarrow A$	•	•	•	•	•	•
Add Double	ADDD	C3	4	3	D3	5	2	E3	6	2	F3	6	3			$D + M : M + 1 \rightarrow D$	•	•	•	•	•	•
And	ANDA	84	2	2	94	3	2	A4	4	2	B4	4	3			$A - M \rightarrow A$	•	•	•	•	R	•
	ANDB	C4	2	2	D4	3	2	E4	4	2	F4	4	3			$B - M \rightarrow B$	•	•	•	•	R	•
Shift Left, Arithmetic	ASL							68	6	2	78	6	3				•	•	•	•	•	•
	ASLA												48	2	1		•	•	•	•	•	•
	ASLB												58	2	1		•	•	•	•	•	•

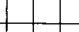
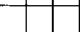
The Condition Code Register notes are listed after Table 12.

Table 10 : Accumulator and Memory Instructions (continued).

Accumulator and Memory Operations	MNE	Immed		Direct		Index		Extend		Inher		Boolean Expression	Condition Codes												
		Op	#	Op	#	Op	#	Op	#	Op	#		H	I	N	Z	V	C							
Shift Left Dbl	ASLD									05	3	1		•	•	•	•	•	•						
Shift Right, Arithmetic	ASR					67	6	2	77	6	3			•	•	•	•	•	•						
	ASRA									47	2	1		•	•	•	•	•	•						
	ASRB									57	2	1		•	•	•	•	•	•						
Bit Test	BITA	85	2	2	95	3	2	A5	4	2	B5	4	3					A - M	•	•	•	•	R	•	
	BITB	C5	2	2	D5	3	2	E5	4	2	F5	4	3					B - M	•	•	•	•	R	•	
Compare Acmltrs	CBA										11	2	1						A - B	•	•	•	•	•	•
Clear	CLR					6F	6	2	7F	6	3							00 → M	•	•	R	S	R	R	
	CLRA									4F	2	1						00 → A	•	•	R	S	R	R	
	CLRB									5F	2	1						00 → B	•	•	R	S	R	R	
Compare	CMPA	81	2	2	91	3	2	A1	4	2	B1	4	3					A - M	•	•	•	•	•	•	
	CMPB	C1	2	2	D1	3	2	E1	4	2	F1	4	3					B - M	•	•	•	•	•	•	
1's Complement	COM					63	6	2	73	6	3							$\bar{M} \rightarrow M$	•	•	•	•	R	S	
	COMA									43	2	1						$\bar{A} \rightarrow A$	•	•	•	•	R	S	
	COMB									53	2	1						$\bar{B} \rightarrow B$	•	•	•	•	R	S	
Decimal Adj., A	DAA										19	2	1					Adj binary sum to BCD	•	•	•	•	•	•	
Decrement	DEC					6A	6	2	7A	6	3							M - 1 → M	•	•	•	•	•	•	
	DECA									4A	2	1						A - 1 → A	•	•	•	•	•	•	
	DECB									5A	2	1						B - 1 → B	•	•	•	•	•	•	
Exclusive OR	EORA	88	2	2	98	3	2	A8	4	2	B8	4	3					A ⊕ M → A	•	•	•	•	R	•	
	EORB	C8	2	2	D8	3	2	E8	4	2	F8	4	3					B ⊕ M → B	•	•	•	•	R	•	
Increment	INC					6C	6	2	7C	6	3							M + 1 → M	•	•	•	•	•	•	
	INCA									4C	2	1						A + 1 → A	•	•	•	•	•	•	
	INCB									5C	2	1						B + 1 → B	•	•	•	•	•	•	
Load Acmltrs	LDAA	86	2	2	96	3	2	A6	4	2	B6	4	3					M → A	•	•	•	•	R	•	
	LDAB	C6	2	2	D6	3	2	E6	4	2	F6	4	3					M → B	•	•	•	•	R	•	
Load Double	LDD	CC	3	3	DC	4	2	EC	5	2	FC	5	3					M : M + 1 → D	•	•	•	•	R	•	
Logical Shift, Left	LSL					68	6	2	78	6	3									•	•	•	•	•	•
	LSLA									48	2	1		•	•	•	•	•	•						
	LSLB									58	2	1		•	•	•	•	•	•						
	LSLD										05	3	2		•	•	•	•	•	•					
Shift Right, Logical	LSR					64	6	2	74	6	3									•	•	R	•	•	•
	LSRA									44	2	1		•	•	•	•	•	•						
	LSRB									54	2	1		•	•	•	•	•	•						
	LSRD										04	3	1		•	•	•	•	•	•					

The Condition Code Register notes are listed after Table 12.

Table 10 : Accumulator and Memory Instructions (continued).

Accumulator and Memory Operations	MNE	Immed		Direct		Index		Extend		Inher		Boolean Expression	Condition Codes									
		Op	#	Op	#	Op	#	Op	#	Op	#		H	I	N	Z	V	C				
Multiply	MUL									3D	10	1	$A \times B \rightarrow D$	*	*	*	*	*	*			
2's Complement (negate)	NEG					60	6	2	70	6	3		$00 - M \rightarrow M$	*	*	*	*	*	*			
	NEGA										40	2	1	$00 - A \rightarrow A$	*	*	*	*	*	*		
	NEGB										50	2	1	$00 - B \rightarrow B$	*	*	*	*	*	*		
No Operation	NOP										01	2	1	$PC + 1 \rightarrow PC$	*	*	*	*	*	*		
Inclusive OR	ORAA	8A	2	2	9A	3	2	AA	4	2	BA	4	3	$A + M \rightarrow A$	*	*	*	*	R	*		
	ORAB	CA	2	2	DA	3	2	EA	4	2	FA	4	3	$B + M \rightarrow B$	*	*	*	*	R	*		
Push Data	PSHA										36	3	1	$A \rightarrow \text{Stack}$	*	*	*	*	*	*		
	PSHB										37	3	1	$B \rightarrow \text{Stack}$	*	*	*	*	*	*		
Pull Data	PULA										32	4	1	$\text{Stack} \rightarrow A$	*	*	*	*	*	*		
	PULB										33	4	1	$\text{Stack} \rightarrow B$	*	*	*	*	*	*		
Rotate Left	ROL					69	6	2	79	6	3				*	*	*	*	*	*		
	ROLA										49	2	1		*	*	*	*	*	*		
	ROLB										59	2	1		*	*	*	*	*	*		
Rotate Right	ROR					66	6	2	76	6	3				*	*	*	*	*	*		
	RORA										46	2	1		*	*	*	*	*	*		
	RORB										56	2	1		*	*	*	*	*	*		
Subtract Acmltr	SBA										10	2	1	$A - B \rightarrow A$	*	*	*	*	*	*		
Subtract with Carry	SBCA	82	2	2	92	3	2	A2	4	2	B2	4	3	$A - M - C \rightarrow A$	*	*	*	*	*	*		
	SBCB	C2	2	2	D2	3	2	E2	4	2	F2	4	3	$B - M - C \rightarrow B$	*	*	*	*	*	*		
Store Acmltrs	STAA				97	3	2	A7	4	2	B7	4	3	$A \rightarrow M$	*	*	*	*	*	R	*	
	STAB				D7	3	2	E7	4	2	F7	4	3	$B \rightarrow M$	*	*	*	*	*	R	*	
	STD				DD	4	2	ED	5	2	FD	5	3	$D \rightarrow M : M + 1$	*	*	*	*	*	R	*	
Subtract	SUBA	80	2	2	90	3	2	A0	4	2	B0	4	3	$A - M \rightarrow A$	*	*	*	*	*	*		
	SUBB	C0	2	2	D0	3	2	E0	4	2	F0	4	3	$B - M \rightarrow B$	*	*	*	*	*	*		
Subtract Double	SUBD	83	4	3	93	5	2	A3	6	2	B3	6	3	$D - M : M + 1 \rightarrow D$	*	*	*	*	*	*		
Transfer Acmltr	TAB										16	2	1	$A \rightarrow B$	*	*	*	*	*	R	*	
	TBA										17	2	1	$B \rightarrow A$	*	*	*	*	*	R	*	
Test, Zero or Minus	TST					6D	6	2	7D	6	3		$M - 00$	*	*	*	*	*	*	R	R	
	TSTA										4D	2	1	$A - 00$	*	*	*	*	*	*	R	R
	TSTB										5D	2	1	$B - 00$	*	*	*	*	*	*	R	R

The Condition Code Register notes are listed after table 12.

Table 11 : Jump and Branch Instructions.

Operations	MNEM	Direct		Relative		Index		Extend			Inherent			Branch Test	Cond. Code Reg.						
		Op	#	Op	#	Op	#	Op	#	Op	#	Op	#		5	4	3	2	1	0	
															H	I	N	Z	V	C	
Branch Always	BRA			20	3 2									None	*	*	*	*	*	*	
Branch Never	BRN			21	3 2									None	*	*	*	*	*	*	
Branch if Carry Clear	BCC			24	3 2									C = 0	*	*	*	*	*	*	
Branch if Carry Set	BCS			25	3 2									C = 1	*	*	*	*	*	*	
Branch if = Zero	BEQ			27	3 2									Z = 1	*	*	*	*	*	*	
Branch if ≥ Zero	BGE			2C	3 2									N ⊕ V = 0	*	*	*	*	*	*	
Branch if > Zero	BGT			2E	3 2									Z + (N ⊕ V) = 0	*	*	*	*	*	*	
Branch if Higher	BHI			22	3 2									C + Z = 0	*	*	*	*	*	*	
Branch if Higher or Same	BHS			24	3 2									C = 0	*	*	*	*	*	*	
Branch if ≤ Zero	BLE			2F	3 2									Z + (N ⊕ V) = 1	*	*	*	*	*	*	
Branch if Carry Set	BLO			25	3 2									C = 1	*	*	*	*	*	*	
Branch if Lower or Same	BLS			23	3 2									C + Z = 1	*	*	*	*	*	*	
Branch if < Zero	BLT			2D	3 2									N ⊕ V = 1	*	*	*	*	*	*	
Branch if Minus	BMI			2B	3 2									N = 1	*	*	*	*	*	*	
Branch if not Equal Zero	BNE			26	3 2									Z = 0	*	*	*	*	*	*	
Branch if Overflow Clear	BVC			28	3 2									V = 0	*	*	*	*	*	*	
Branch if Overflow Set	BVS			29	3 2									V = 1	*	*	*	*	*	*	
Branch if Plus	BPL			2A	3 2									N = 0	*	*	*	*	*	*	
Branch to Subroutine	BSR			8D	6 2									See Special Operations-figure 26	*	*	*	*	*	*	
Jump	JMP					6E	3 2			7E	3 3					*	*	*	*	*	*
Jump to Subroutine	JSR	9D	5 2			AD	6 2			BD	6 3				*	*	*	*	*	*	
No Operation	NOP											01	2 1		*	*	*	*	*	*	
Return from Interrupt	RTI											3B	10 1		⋆	⋆	⋆	⋆	⋆	⋆	
Return from Subroutine	RTS											39	5 1	See Special Operations-figure 26	*	*	*	*	*	*	
Software Interrupt	SWI											3F	12 1			*	S	*	*	*	*
Wait for Interrupt	WAI											3E	9 1			*	*	*	*	*	*

The Condition Code Register notes are listed after Table 12.

Table 12 : Condition Code Register Manipulation Instructions.

Operations	Inherent				Boolean Operation	Condition Code Register					
	Mnem	OP	~	#		5	4	3	2	1	0
						H	I	N	Z	V	C
Clear Carry	CLC	0C	2	1	0 → C	•	•	•	•	•	R
Clear Interrupt Mask	CLI	0E	2	1	0 → I	•	R	•	•	•	•
Clear Overflow	CLV	0A	2	1	0 → V	•	•	•	•	R	•
Set Carry	SEC	0D	2	1	1 → C	•	•	•	•	•	S
Set Interrupt Mask	SEI	0F	2	1	1 → I	•	S	•	•	•	•
Set Overflow	SEV	0B	2	1	1 → V	•	•	•	•	S	•
Accumulator A → CCR	TAP	06	2	1	A → CCR	↕	↕	↕	↕	↕	↕
CCR → Accumulator A	TPA	07	2	1	CCR → A	•	•	•	•	•	•

LEGEND

- OP Operation Code (Hexadecimal)
- Number of MPU Cycles
- M_{SP} Contents of memory location pointed to by Stack Pointer
- # Number of Program Bytes
- + Arithmetic Plus
- Arithmetic Minus
- Boolean AND
- X Arithmetic Multiply
- + Boolean Inclusive OR
- ⊕ Boolean Exclusive OR
- M Complement of M
- Transfer Into
- 0 Bit = Zero
- 00 Byte = 0

CONDITION CODE SYMBOLS

- H Half-carry from bit 3
- I Interrupt mask
- N Negative (sign bit)
- Z Zero (byte)
- V Overflow, 2's complement
- C Carry/Borrow from MSB
- R Reset Always
- S Set Always
- ↕ Affected
- Not Affected

Table 13 : Instruction Execution Times In E-cycles.

	Addressing Mode					
	Immediate	Direct	Extended	Indexed	Inherent	Relative
ABA	●	●	●	●	2	●
ABX	●	●	●	●	3	●
ADC	2	3	4	4	●	●
ADD	2	3	4	4	●	●
ADDD	4	5	6	6	●	●
AND	2	3	4	4	●	●
ASL	●	●	6	6	2	●
ASLD	●	●	●	●	3	●
ASR	●	●	6	6	2	●
BCC	●	●	●	●	●	3
BCS	●	●	●	●	●	3
BEQ	●	●	●	●	●	3
BGE	●	●	●	●	●	3
BGT	●	●	●	●	●	3
BHI	●	●	●	●	●	3
BHS	●	●	●	●	●	3
BIT	2	3	4	4	●	●
BLE	●	●	●	●	●	3
BLO	●	●	●	●	●	3
BLS	●	●	●	●	●	3
BLT	●	●	●	●	●	3
BMI	●	●	●	●	●	3
BNE	●	●	●	●	●	3
BPL	●	●	●	●	●	3
BRA	●	●	●	●	●	3
BRN	●	●	●	●	●	3
BSR	●	●	●	●	●	6
BVC	●	●	●	●	●	3
BVS	●	●	●	●	●	3
CBA	●	●	●	●	2	●
CLC	●	●	●	●	2	●
CLI	●	●	●	●	2	●
CLR	●	●	6	6	2	●
CLV	●	●	●	●	2	●
CMP	2	3	4	4	●	●
COM	●	●	6	6	2	●
CPX	4	5	6	6	●	●
DAA	●	●	●	●	2	●
DEC	●	●	6	6	2	●
DES	●	●	●	●	3	●
DEX	●	●	●	●	3	●
EOR	2	3	4	4	●	●
INC	●	●	6	6	●	●
INS	●	●	●	●	3	●

	Addressing Mode					
	Immediate	Direct	Extended	Indexed	Inherent	Relative
INX	●	●	●	●	3	●
JMP	●	●	3	3	●	●
JSR	●	5	6	6	●	●
LDA	2	3	4	4	●	●
LDD	3	4	5	5	●	●
LDS	3	4	5	5	●	●
LDX	3	4	5	5	●	●
LSL	●	●	6	6	2	●
LSLD	●	●	●	●	3	●
LSR	●	●	6	6	2	●
LSRD	●	●	●	●	3	●
MUL	●	●	●	●	10	●
NEG	●	●	6	6	2	●
NOP	●	●	●	●	2	●
ORA	2	3	4	4	●	●
PSH	●	●	●	●	3	●
PSHX	●	●	●	●	4	●
PUL	●	●	●	●	4	●
PULX	●	●	●	●	5	●
ROL	●	●	6	6	2	●
ROR	●	●	6	6	2	●
RTI	●	●	●	●	10	●
RTS	●	●	●	●	5	●
SBA	●	●	●	●	2	●
SBC	2	3	4	4	●	●
SEC	●	●	●	●	2	●
SEI	●	●	●	●	2	●
SEV	●	●	●	●	2	●
STA	●	3	4	4	●	●
STD	●	4	5	5	●	●
STS	●	4	5	5	●	●
STX	●	4	5	5	●	●
SUB	2	3	4	4	●	●
SUBD	4	5	6	6	●	●
SWI	●	●	●	●	12	●
TAB	●	●	●	●	2	●
TAP	●	●	●	●	2	●
TBA	●	●	●	●	2	●
TPA	●	●	●	●	2	●
TST	●	●	6	6	2	●
TSX	●	●	●	●	3	●
TXS	●	●	●	●	3	●
WAI	●	●	●	●	9	●

SUMMARY OF CYCLE-BY-CYCLE OPERATION

Table 14 provides a detailed description of the information present on the address bus, data bus, and the read/write (R/W) line during each cycle of each instruction.

The information is useful in comparing actual with expected results during debug of both software and hardware as the program is executed. The information is categorized in groups according to address-

ing mode and number of cycles per instruction. In general, instructions with the same addressing mode and number of cycles execute in the same manner. Exceptions are indicated in the table.

Note that during MPU reads of internal locations, the resultant value will not appear on the external data bus except in mode 0. "High order" byte refers to the most-significant byte of a 16-bit value.

Table 14 : Cycle-by-cycle Operation (sheet 1 of 5)

IMMEDIATE

Address Mode and Instructions	Cycles	Cycle #	Address Bus	R/W Line	Data Bus
ADC EOR	2	1	Opcode Address	1	Opcode
ADD LDA		2	Opcode Address + 1	1	Operand Data
AND ORA					
BIT SBC					
CMP SUB					
LDS	3	1	Opcode Address	1	Opcode
LDX		2	Opcode Address + 1	1	Operand Data (high order byte)
LDD		3	Opcode Address + 2	1	Operand Data (low order byte)
CPX	4	1	Opcode Address	1	Opcode
SUBD		2	Opcode Address + 1	1	Operand Data (high order byte)
ADDD		3	Opcode Address + 2	1	Operand Data (low order byte)
		4	Address Bus FFFF	1	Low Byte of Restart Vector

DIRECT

Address Mode and Instructions	Cycles	Cycle #	Address Bus	R/W Line	Data Bus
ADC EOR	3	1	Opcode Address	1	Opcode
ADD LDA		2	Opcode Address + 1	1	Address of Operand
AND ORA		3	Address of Operand	1	Operand Data
BIT SBC					
CMP SUB					
STA	3	1	Opcode Address	1	Opcode
		2	Opcode Address + 1	1	Destination Address
		3	Destination Address	0	Data from Accumulator
LDS	4	1	Opcode Address	1	Opcode Address
LDX		2	Opcode Address + 1	1	Address of Operand
LDD		3	Address of Operand	1	Operand Data (high order byte)
		4	Operand Address + 1	1	Operand Data (low order byte)
STS	4	1	Opcode Address	1	Opcode Address
STX		2	Opcode Address + 1	1	Address of Operand
STD		3	Address of Operand	0	Operand Data (high order byte)
		4	Address of Operand + 1	0	Operand Data (low order byte)
CPX	5	1	Opcode Address	1	Opcode
SUBD		2	Opcode Address + 1	1	Address of Operand
ADDD		3	Operand Address	1	Operand Data (high order byte)
		4	Operand Address + 1	1	Operand Data (low order byte)
		5	Address Bus FFFF	1	Low Byte of Restart Vector
JSR	5	1	Opcode Address	1	Opcode
		2	Opcode Address + 1	1	Irrelevant Data
		3	Subroutine Address	1	First Subroutine Opcode
		4	Stack Pointer	0	Return Address (low order byte)
		5	Stack Pointer - 1	0	Return Address (high order byte)

Table 14 : Cycle-by-cycle Operation (sheet 2 of 5)

EXTENDED

Address Mode and Instructions		Cycles	Cycle #	Address Bus	R/W Line	Data Bus
JMP		3	1	Opcode Address	1	Opcode
			2	Opcode Address + 1	1	Jump Address (high order byte)
			3	Opcode Address + 2	1	Jump Address (low order byte)
ADC	EOR	4	1	Opcode Address	1	Opcode
ADD	LDA		2	Opcode Address + 1	1	Address of Operand
AND	ORA		3	Opcode Address + 2	1	Address of Operand (low order byte)
BIT	SBC		4	Address of Operand	1	Operand Data
CMP						
STA		4	1	Opcode Address	1	Opcode
			2	Opcode Address + 1	1	Destination Address (high order byte)
			3	Opcode Address + 2	1	Destination Address (low order byte)
			4	Operand Destination Address	0	Data from Accumulator
LDS		5	1	Opcode Address	1	Opcode
LDX			2	Opcode Address + 1	1	Address of Operand (high order byte)
LDD			3	Opcode Address + 2	1	Address of Operand (low order byte)
			4	Address of Operand	1	Operand Data (high order byte)
			5	Address of Operand + 1	1	Operand Data (low order byte)
STS		5	1	Opcode Address	1	Opcode
STX			2	Opcode Address + 1	1	Address of Operand (high order byte)
STD			3	Opcode Address + 2	1	Address of Operand (low order byte)
			4	Address of Operand	0	Operand Data (high order byte)
			5	Address of Operand + 1	0	Operand Data (low order byte)
ASL	LSR	6	1	Opcode Address	1	Opcode
ASR	NEG		2	Opcode Address + 1	1	Address of Operand (high order byte)
CLR	ROL		3	Opcode Address + 2	1	Address of Operand (low order byte)
COM	ROR		4	Address of Operand	1	Current Operand Data
DEC	TST*		5	Address Bus FFFF	1	Low Byte of Restart Vector
INC			6	Address of Operand	0	New Operand Data
CPX		6	1	Opcode Address	1	Opcode
SUBD			2	Opcode Address + 1	1	Operand Address (high order byte)
ADD			3	Opcode Address + 2	1	Operand Address (low order byte)
			4	Operand Address	1	Operand Data (high order byte)
			5	Operand Address + 1	1	Operand Data (low order byte)
			6	Address Bus FFFF	1	Low Byte of Restart Vector

* TST does not perform the write cycle during the sixth cycle. The sixth cycle is another address bus = \$FFFF.

Table 14 : Cycle-by-cycle Operation (sheet 2 of 5)

EXTENDED (continued)

Address Mode and Instructions	Cycles	Cycle #	Address Bus	R/W Line	Data Bus
JSR	6	1	Opcode Address	1	Opcode
		2	Opcode Address + 1	1	Address of Subroutine (high order byte)
		3	Opcode Address + 2	1	Address of Subroutine (low order byte)
		4	Subroutine Starting Address	1	Opcode of Next Instruction
		5	Stack Pointer	0	Return Address (low order byte)
		6	Stack Pointer - 1	0	Return Address (high order byte)

* TST does not perform the write cycle during the sixth cycle. The sixth cycle is another address bus = \$FFFF.

Table 14 : Cycle-by-cycle Operation (sheet 3 of 5)

INDEXED

Address Mode and Instructions		Cycles	Cycle #	Address Bus	R/W Line	Data Bus				
JMP		3	1	Opcode Address	1	Opcode				
			2	Opcode Address + 1	1	Offset				
			3	Address Bus FFFF	1	Low Byte of Restart Vector				
ADC	EOR	4	1	Opcode Address	1	Opcode				
ADD	LDA		2	Opcode Address + 1	1	Offset				
AND	ORA		3	Address Bus FFFF	1	Low Byte of Restart Vector				
BIT	SBC		4	Index Register Plus Offset	1	Operand Data				
CMP	SUB	4	4	Index Register Plus Offset	0	Operand Data				
STA							1	Opcode Address	1	Opcode
							2	Opcode Address + 1	1	Offset
							3	Address Bus FFFF	1	Low Byte of Restart Vector
		4	Index Register Plus Offset	0	Operand Data					
LDS	5	1	Opcode Address	1	Opcode					
LDX		2	Opcode Address + 1	1	Offset					
LDD		3	Address Bus FFFF	1	Low Byte of Restart Vector					
STS		4	Index Register Plus Offset	1	Operand Data (high order byte)					
		5	Index Register Plus Offset + 1	1	Operand Data (low order byte)					
STX	5	1	Opcode Address	1	Opcode					
STD		2	Opcode Address + 1	1	Offset					
STX		3	Address Bus FFFF	1	Low Byte of Restart Vector					
		4	Index Register Plus Offset	0	Operand Data (high order byte)					
		5	Index Register Plus Offset + 1	0	Operand Data (low order byte)					
ASL	LSR	6	1	Opcode Address	1	Opcode				
ASR	NEG		2	Opcode Address + 1	1	Offset				
CLR	ROL		3	Address Bus FFFF	1	Low Byte of Restart Vector				
COM	ROR		4	Index Register Plus Offset	1	Current Operand Data				
DEC	TST*		5	Address Bus FFFF	1	Low Byte of Restart Vector				
INC			6	Index Register Plus Offset	0	New Operand Data				
CPX	6	1	Opcode Address	1	Opcode					
SUBD		2	Opcode Address + 1	1	Offset					
ADD		3	Address Bus FFFF	1	Low Byte of Restart Vector					
		4	Index Register + Offset	1	Operand Data (high order byte)					
		5	Index Register + Offset + 1	1	Operand Data (low order byte)					
		6	Address Bus FFFF	1	Low Byte of Restart Vector					
JSR	1	Opcode Address	1	Opcode						
	2	Opcode Address + 1	1	Offset						
	3	Address Bus FFFF	1	Low Byte of Restart Vector						
	4	Index Register + Offset	1	First Subroutine Opcode						
	5	Stack Pointer	0	Return Address (low order byte)						
	6	Stack Pointer - 1	0	Return Address (high order byte)						

* TST does not perform the write cycle during the sixth cycle. The sixth cycle is another address bus = \$FFFF.

Table 14 : Cycle-by-cycle Operation (sheet 4 of 5)

INHERENT

Address Mode and Instructions	Cycles	Cycle #	Address Bus	R/W Line	Data Bus
ABA DAA SEC ASL DEC SEI ASR INC SEV CBA LSR TAB CLC NEG TAP CLI NOP TBA CLR ROL TPA CLV ROR TST COM SBA	2	1 2	Opcode Address Opcode Address + 1	1 1	Opcode Opcode of Next Instruction
ABX	3	1 2 3	Opcode Address Opcode Address + 1 Address Bus FFFF	1 1 1	Opcode Irrelevant Data Low Byte of Restart Vector
ASLD LSRD	3	1 2 3	Opcode Address Opcode Address + 1 Address Bus FFFF	1 1 1	Opcode Irrelevant Data Low Byte of Restart Vector
DES INS	3	1 2 3	Opcode Address Opcode Address + 1 Previous Stack Pointer Contents	1 1 1	Opcode Opcode of Next Instruction Irrelevant Data
INX DEX	3	1 2 3	Opcode Address Opcode Address + 1 Address Bus FFFF	1 1 1	Opcode Opcode of Next Instruction Low Byte of Restart Vector
PSHA PSHB	3	1 2 3	Opcode Address Opcode Address + 1 Stack Pointer	1 1 0	Opcode Opcode of Next Instruction Accumulator Data
TSX	3	1 2 3	Opcode Address Opcode Address + 1 Stack Pointer	1 1 1	Opcode Opcode of Next Instruction Irrelevant Data
TXS	3	1 2 3	Opcode Address Opcode Address + 1 Address Bus FFFF	1 1 1	Opcode Opcode of Next Instruction Low Byte of Restart Vector
PULA PULB	4	1 2 3 4	Opcode Address Opcode Address + 1 Stack Pointer Stack Pointer + 1	1 1 1 1	Opcode Opcode of Next Instruction Irrelevant Data Operand Data from Stack
PSHX	4	1 2 3 4	Opcode Address Opcode Address + 1 Stack Pointer Stack Pointer - 1	1 1 0 0	Opcode Irrelevant Data Index Register (low order byte) Index Register (high order byte)
PULX	5	1 2 3 4 5	Opcode Address Opcode Address + 1 Stack Pointer Stack Pointer + 1 Stack Pointer + 2	1 1 1 1 1	Opcode Irrelevant Data Irrelevant Data Index Register (low order byte) Index Register (high order byte)

Table 14 : Cycle-by-cycle Operation (sheet 4 of 5)

INHERENT (continued)

Address Mode and Instructions	Cycles	Cycle #	Address Bus	R/W Line	Data Bus
RTS	5	1	Opcode Address	1	Opcode
		2	Opcode Address + 1	1	Irrelevant Data
		3	Stack Pointer	1	Irrelevant Data
		4	Stack Pointer + 1	1	Address of Next Instruction (high order byte)
		5	Stack Pointer + 2	1	Address of Next Instruction (low order byte)
WAI	9	1	Opcode Address	1	Opcode
		2	Opcode Address + 1	1	Opcode of Next Instruction
		3	Stack Pointer	0	Return Address (low order byte)
		4	Stack Pointer - 1	0	Return Address (high order byte)
		5	Stack Pointer - 2	0	Index Register (low order byte)
		6	Stack Pointer - 3	0	Index Register (high order byte)
		7	Stack Pointer - 4	0	Contents of Accumulator A
		8	Stack Pointer - 5	0	Contents of Accumulator B
		9	Stack Pointer - 6	0	Contents of Condition Code Register

Table 14 : Cycle-by-cycle Operation (sheet 5 of 5)

INHERENT

Address Mode and Instructions	Cycles	Cycle #	Address Bus	R/W Line	Data Bus
MUL	10	1	Opcode Address	1	Opcode
		2	Opcode Address + 1	1	Irrelevant Data
		3	Address Bus FFFF	1	Low Byte of Restart Vector
		4	Address Bus FFFF	1	Low Byte of Restart Vector
		5	Address Bus FFFF	1	Low Byte of Restart Vector
		6	Address Bus FFFF	1	Low Byte of Restart Vector
		7	Address Bus FFFF	1	Low Byte of Restart Vector
		8	Address Bus FFFF	1	Low Byte of Restart Vector
		9	Address Bus FFFF	1	Low Byte of Restart Vector
		10	Address Bus FFFF	1	Low Byte of Restart Vector
RTI	10	1	Opcode Address	1	Opcode
		2	Opcode Address + 1	1	Irrelevant Data
		3	Stack Pointer	1	Irrelevant Data
		4	Stack Pointer + 1	1	Contents of Condition Code Register from Stack
		5	Stack Pointer + 2	1	Contents of Accumulator B from Stack
		6	Stack Pointer + 3	1	Contents of Accumulator A from Stack
		7	Stack Pointer + 4	1	Index Register from Stack (high order byte)
		8	Stack Pointer + 5	1	Index Register from Stack (low order byte)
		9	Stack Pointer + 6	1	Next Instruction Address from Stack (high order byte)
		10	Stack Pointer + 7	1	Next Instruction Address from Stack (low order byte)

Table 14 : Cycle-by-cycle Operation (sheet 5 of 5)

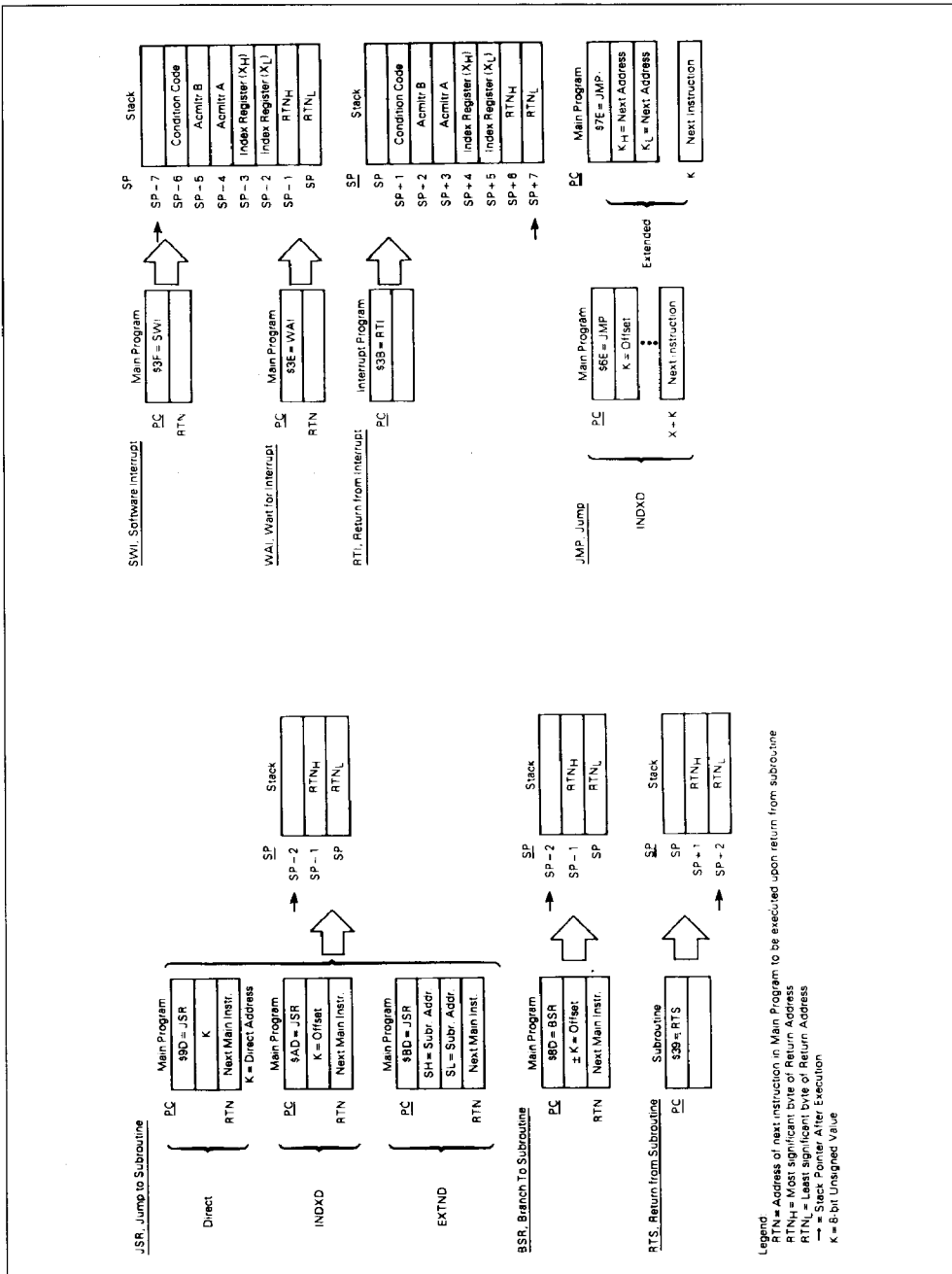
INHERENT (continued)

Address Mode and Instructions	Cycles	Cycle #	Address Bus	R/W Line	Data Bus
SWI	12	1	Opcode Address	1	Opcode
		2	Opcode Address + 1	1	Irrelevant Data
		3	Stack Pointer	0	Return Address (low order byte)
		4	Stack Pointer - 1	0	Return Address (high order byte)
		5	Stack Pointer - 2	0	Index Register (low order byte)
		6	Stack Pointer - 3	0	Index Register (high order byte)
		7	Stack Pointer - 4	0	Contents of Accumulator A
		8	Stack Pointer - 5	0	Contents of Accumulator B
		9	Stack Pointer - 6	0	Contents of Condition Code Register
		10	Stack Pointer - 7	1	Irrelevant Data
		11	Vector Address FFFA (hex)	1	Address of Subroutine (high order byte)
		12	Vector Address FFFB (hex)	1	Address of Subroutine (low order byte)

RELATIVE

Address Mode and Instructions	Cycles	Cycle #	Address Bus	R/W Line	Data Bus
BCC BHT BNE BLO BCS BLE BPL BHS BEQ BLS BRA BRN BGE BLT BVC BGT BMI BVS	3	1	Opcode Address	1	Opcode
		2	Opcode Address + 1	1	Branch Offset
		3	Address Bus FFFF	1	Low Byte of Restart Vector
BSR	6	1	Opcode Address	1	Opcode
		2	Opcode Address + 1	1	Branch Offset
		3	Address Bus FFFF	1	Low Byte of Restart Vector
		4	Subroutine Starting Address	1	Opcode of Next Instruction
		5	Stack Pointer	0	Return Address (low order byte)
		6	Stack Pointer - 1	0	Return Address (high order byte)

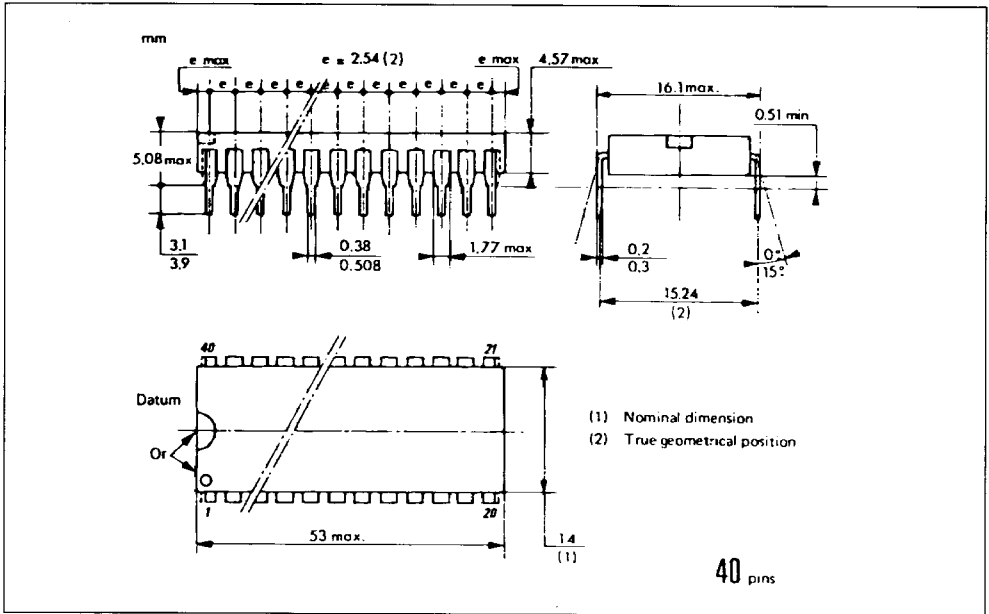
Figure 25 : Special Operations.



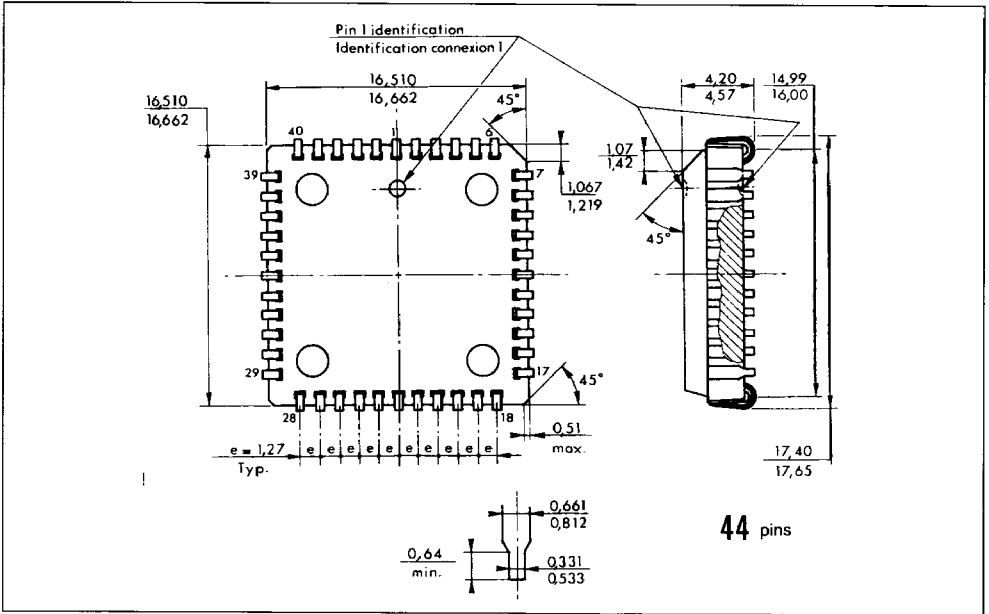
Legend
 RTN = Address of next instruction in Main Program to be executed upon return from subroutine
 RTN_H = Most significant byte of Return Address
 RTN_L = Least significant byte of Return Address
 → = Stack Pointer After Execution
 K = 8-bit Unsigned Value

PACKAGE MECHANICAL DATA

P SUFFIX - PLASTIC PACKAGE



FN SUFFIX - PLASTIC PACKAGE



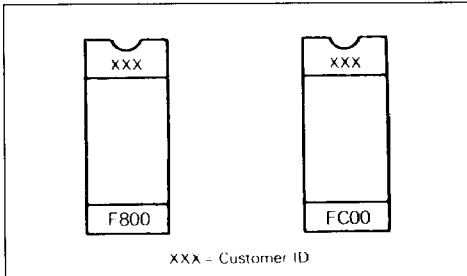
ORDERING INFORMATION

The information required when ordering a custom MCU is listed below. The ROM program may be transmitted to SGS THOMSON on EPROM(s) or an EFDOS/MDOS* disk file.

To initiate a ROM pattern for the MCU, it is necessary to first contact your local SGS THOMSON representative or distributor.

EPROMs

Two 2708 or one 2716 type EPROMs, programmed with the customer program (positive logic sense for address and data), may be submitted for pattern generation. The EPROM must be clearly marked to indicate which EPROM corresponds to which address space. The recommended marking procedure is illustrated below :



After the EPROM (s) are marked, they should be placed in conductive IC carriers and securely packed. Do not use styrofoam.

VERIFICATION MEDIA

All original pattern media (EPROMs or floppy disk) are filed for contractual purposes and are not returned. A computer listing of the ROM code will be generated and returned along with a listing verification form. The listing should be thoroughly checked and the verification form completed, signed, and returned to SGS THOMSON. The signed verification form constitutes the contractual agreement for creation of the customer mask. If desired, SGS THOMSON will program on blank EPROM from the data

file used to create the custom mask and aid in the verification process.

ROM VERIFICATION UNITS (RVUs)

Ten MCUs containing the customer's ROM pattern will be sent for program verification. These units will have been made using the custom mask but are for the purpose of ROM verification only. For expediency they are usually unmarked, packaged in ceramic, and tested only at room temperature and 5 volts. These RVUs are included in the mask charge and are not production parts. The RVUs are thus not guaranteed by SGS THOMSON. Quality Assurance, and should be discarded after verification is completed.

FLEXIBLE DISKS

The disk media submitted must be single-sided, EFDOS/MDOS* compatible floppies.

The customer must write the binary file name and company name on the disk with a felt-tip-pen. The minimum EFDOS/MDOS* system files, as well as the absolute binary object file (Filename .LO type of file) from the 6801 cross assembler, must be on the disk. An object file made from a memory dump using the ROLLOUT command is also acceptable. Consider submitting a source listing as well as the following files : filename .LX (DEVICE/EXORciser loadable format) and filename .SA (ASCII Source Code). These files will of course be kept confidential and are used 1) to speed up the process in-house if any problems arise, and 2) to speed up the user-to-factory interface if the user finds any software errors and needs assistance quickly from SGS THOMSON factory representatives.

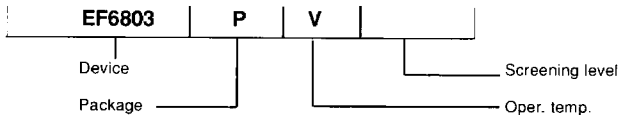
EFDOS is SGS THOMSON Disk Operating System available on development systems such as DEVICE, ...

MDOS* is MOTOROLA's Disk Operating System available on development systems such as EXORciser,....

* Requires prior factory approval

Whenever ordering a custom MCU is required, please contact your local SGS THOMSON representative or SGS THOMSON distributor and/or complete and send the attached "MCU customer ordering sheet" to your local SGS THOMSON Microelectronics representative.

ORDER CODES



The table below horizontally shows all available suffix combinations for package, operating temperature and screening level. Other possibilities on request.

Device		Package					Oper. Temp			Screening Level			
		C	J	P	E	FN	L*	V	M	Std	D	G/B	B/B
1.0MHz	EF6801/03			●		●	●			●			
	EF6803			●				●		●			
1.25MHz	EF6801/03-1			●		●	●			●			
	EF6803-1			●				●		●			
1.5MHz	EF68A01/03			●			●			●			
	EF68A03							●		●			
2.0MHz	EF68B01/03			●			●			●			

Examples : EF6801P, EF6801FN, EF6801PV.

Package : C : Ceramic DIL, J : Cerdip DIL, P : Plastic DIL, E : LCCC, FN : PLCC;
Oper. temp. : L* : 0°C to 70°C, V : -40°C to +85°C, M : -55°C to +125°C, * : may be omitted.
Screening level : Std : (no-end suffix), D : NFC 96883 level D,
 G/B : NFC 96883 level G, B/B : NFC 96883 level B and MIL-STD-883C level B.

EXORciser is a registered trade mark of MOTOROLA Inc.

EF6801 FAMILY - MCU CUSTOMER ORDERING SHEET

Commercial reference :

Customer name :

Customer's marking :

Company :

Address :

Phone :

Application :

Specification reference ;

SGS-THOMSON Microelectronics reference

Special customer data reference*

ROM capacity required : bytes

Number of interrupt vector :

Temperature range :

- 0°C / + 70°C
- 40°C / + 85°C
- 40°C / + 105°C

Quality level :

- STD
- D
- Other* (customer's quality specification ref.) :

Package :

- Plastic
- PLCC

Software developed by :

- SGS-THOMSON Microelectronics application lab.
- External lab.
- Customer

PATTERN MEDIA (a listing may be supplied in addition for checking purpose) :

- EPROM Reference :
- EFDS/MDOS* disk file
 - 8" floppy
 - 5" 1/4 floppy
- Other *

OPTION LIST

- Internal max. clock frequency :
- 1.0MHz
 - 1.25MHz
 - 1.5MHz
 - 2.0MHz

* Requires prior factory approval

Yearly quantity forecast :

- start of production date :
- for a shipment period of :

CUSTOMER CONTACT NAME :

DATE :

SIGNATURE :