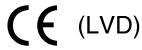


PM300CE SERIES

Single, dual and triple output



[2 YEAR WARRANTY]



- Encapsulated package
- 2.5 to 15W modules
- 230VAC input (115VAC version, see PM300 series)
- Chassis mounting inserts
- Terminal strip connections
- Short circuit protection
- EN55022, EN55011 conducted emissions level B
- EN61000-4-2, -3, -4, -5, -6 compliant
- Meets EN60950

The PM300CE series is an encapsulated, chassis mountable linear AC/DC power module with the CE mark to demonstrate compliance with the Low Voltage Directive for European applications. The series has single, dual and triple output models with industry standard output configurations operating from an input voltage of 230VAC making the PM300CE series suitable for a wide range of low power chassis applications. The PM300CE series includes 2.5W to 15W modules. Each module has short-circuit protection and the 5V outputs also have overvoltage protection. Conservative design and rating of these modules results in reliable operation and long life. There are four threaded inserts in the bottom of each module for convenient chassis mounting. The PM300CE design is a low emissions design with tightly regulated outputs making the series especially suitable for test, measurement and instrumentation equipment.

SPECIFICATION All specifications are typical at nominal input, full load at 25°C unless otherwise stated

OUTPUT SPECIFICATIONS	
Voltage accuracy	±1.0%, max.
Line regulation	See table on facing page
Load regulation	See table on facing page
Temperature coefficient	±0.02%/°C
Overvoltage protection (See Note 4)	5V outputs only 6.2V typical
Output power limit	130% to 200% FL typ.
Short circuit protection	100% to 200% FL
INPUT SPECIFICATIONS	
Input voltage range	230VAC ±10%
Input frequency range (See Note 2)	47Hz to 400Hz
Safety ground leakage current	<3.5mA @ 50Hz

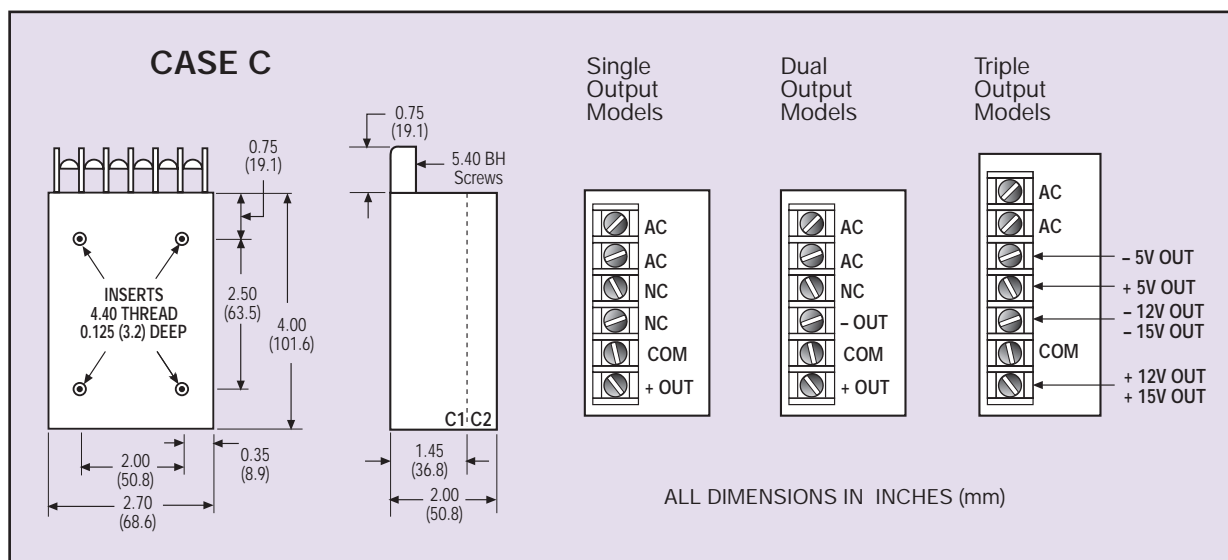
EMC CHARACTERISTICS		
Conducted emissions	EN55022	Level B
Radiated emissions	EN55022	Level B
ESD air	EN61000-4-2, level 3	Perf. criteria 1
ESD contact	EN61000-4-2, level 4	Perf. criteria 1
Surge	EN61000-4-5, level 3	Perf. criteria 1
Fast transients	EN61000-4-4, level 3	Perf. criteria 1
Radiated immunity	EN61000-4-3, level 3	Perf. criteria 1
Conducted immunity	EN61000-4-6, level 3	Perf. criteria 1
GENERAL SPECIFICATIONS		
Efficiency		40% typical
Isolation voltage		3000VAC
Isolation capacitance		50pF
Approvals and standards (See Note 5)		Meets EN60950
Case material	UL94V-0	Non-conductive black plastic
Weight	Case C1 Case C2	567g (20.02oz) 816g (28.80oz)
MTBF (See Note 3)		710,000 hours
ENVIRONMENTAL SPECIFICATIONS		
Temperature	Operating ambient Non-operating amb. Derating, 50°C to 71°C Cooling	-25°C to +71°C -25°C to +71°C 2.5%/°C Free-air convection cooled
Relative Humidity	Non-condensing	20% to 95% RH

2.5 to 15 Watt AC/DC encapsulated modules

OUTPUT VOLTAGE	OUTPUT CURRENT	OVP (4)	REGULATION		RIPPLE AND NOISE	CASE	AVAILABLE MODELS
			LINE	LOAD			
SINGLE OUTPUT							
5VDC	500mA	Yes	±.05%	±0.10%	2mV rms	C1	PM334CE
5VDC	1000mA	Yes	±.05%	±0.15%	2mV rms	C1	PM342CE
5VDC	2000mA	Yes	±.05%	±0.15%	2mV rms	C2	PM345CE
DUAL OUTPUT							
±12VDC	±240mA	No	±0.05%	±0.05%	1mV rms	C1	PM337CE
±12VDC	±400mA	No	±0.05%	±0.05%	1mV rms	C2	PM397CE
±15VDC	±100mA	No	±0.05%	±0.05%	1mV rms	C1	PM302CE
±15VDC	±200mA	No	±0.05%	±0.05%	1mV rms	C1	PM365CE
±15VDC	±350mA	No	±0.05%	±0.05%	1mV rms	C2	PM301CE
±15VDC	±500mA	No	±0.05%	±0.05%	1mV rms	C2	PM396CE
TRIPLE OUTPUT (1)							
5V/±12VDC	500/±120mA	Yes	±0.05%	±0.1%/±0.05%	1mV rms	C1	PM391CE
5V/±15VDC	500/±100mA	Yes	±0.05%	±0.1%/±0.05%	1mV rms	C1	PM390CE
5V/±15VDC	1000/±150mA	Yes	±0.20%	±0.1%/±0.02%	1.0/0.5mV rms	C2	PM393CE
5V/±12VDC	1000/±150mA	Yes	±0.20%	±0.1%/±0.02%	1.0/0.5mV rms	C2	PM392CE

Note

- 1 Triple output models only: the 5V output common is isolated from the ±12VDC or ±15VDC common.
- 2 Some units should be derated for operation at 400Hz. Please contact the factory for details.
- 3 M.T.B.F. figures are based on actual product performance. Consult factory for details.
- 4 Triple output models only: overvoltage protection is only available on the 5V outputs.
- 5 All models are only for inclusion by professional installers within other equipment and must not be operated as a stand alone product.



Data Sheet © Artesyn Technologies® 2000

The information and specifications contained in this data sheet are believed to be correct at time of publication. However, Artesyn Technologies accepts no responsibility for consequences arising from printing errors or inaccuracies. Specifications are subject to change without notice. No rights under any patent accompany the sale of any such product(s) or information contained herein.