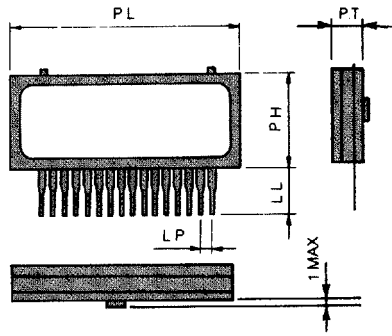
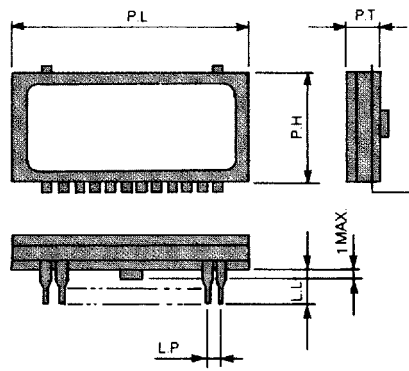
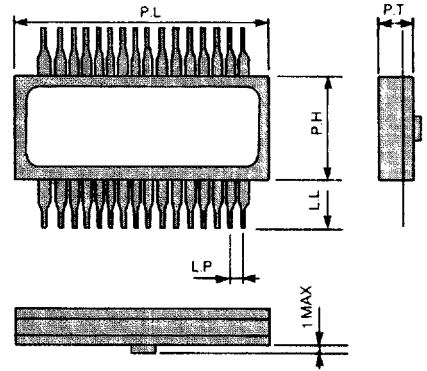
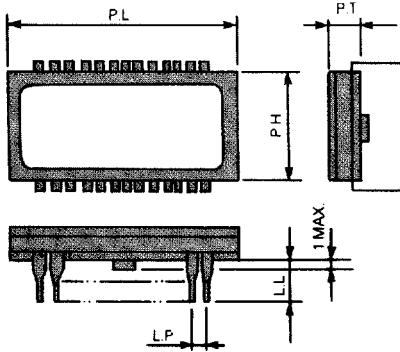
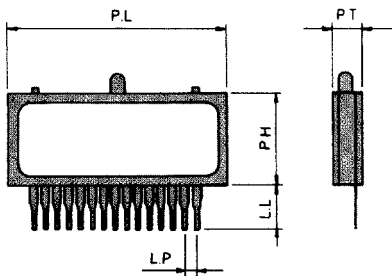
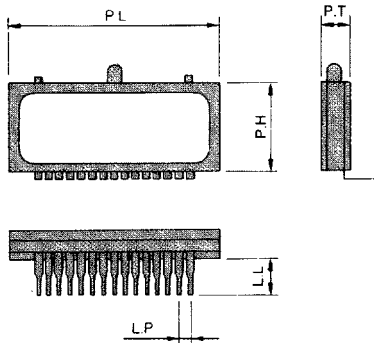
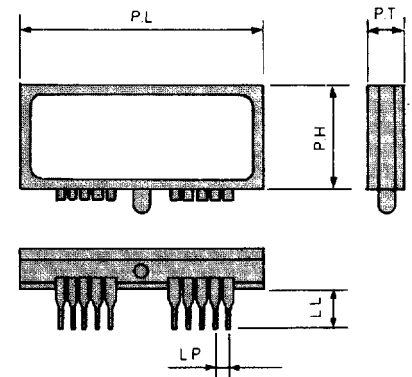


											Note
Mode of Fil.	Ef (Vr.m.s.)	If (mA r.m.s.)	Mode of Ope.	$\frac{e_b = e_c}{V_p - p}$ *Eb=Ec (Vdc)	Duty	Ek (Vdc)	ib/dig (mA)	ic/dig (mA)	(cd/m ²)	(fL)	
AC	3.5	126	dynamic	35	1/16	7	6.0	10.0	690	(200)	
AC	3.6	108	dynamic	47	1/32	6	6.0	8.0	620	(180)	
AC	3.2	75	dynamic	25	1/14	5	6.0	7.0	1000	(292)	
AC	3.5	75	dynamic	30	1/16	6	3.2	4.5	580	(170)	
AC	3.9	140	dynamic	29	1/16	5	7.5	7.5	690	(200)	
AC	4.8	78	dynamic	25	1/15	9.5	4.0	4.0	690	(200)	
AC	5.5	78	dynamic	35	1/19	7	5.5	6.5	900	(263)	
AC	4.2	55	dynamic	26	1/16	4	3.0	3.0	700	(200)	

C-1**C-2****C-3****C-4****D-1****D-2****D-3****D-4**