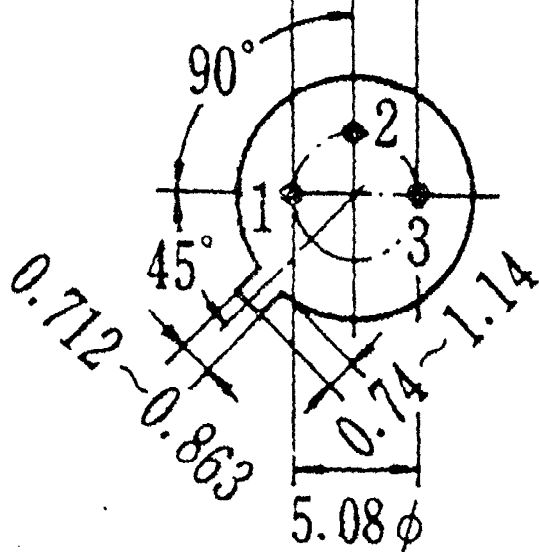
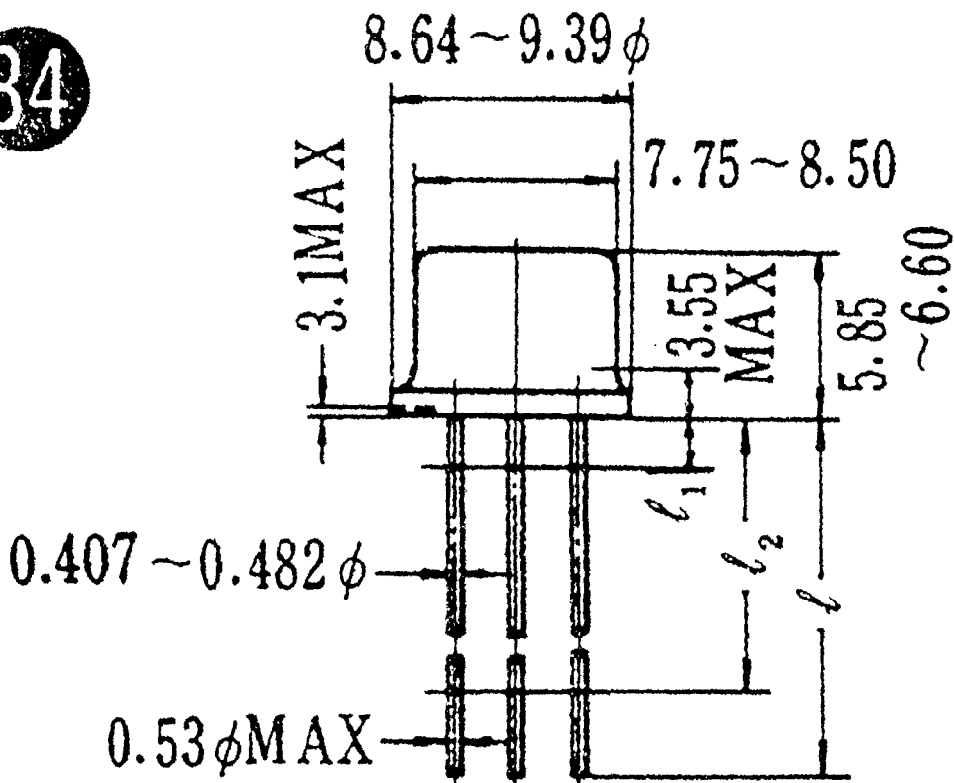


外 觀	電 氣 特 性 (T <sub>a</sub> = 25°C)										大 額 定 (T <sub>a</sub> = 25°C)					構 造	用 途	公 司 名 稱	型 號						
	h <sub>FE</sub>	h <sub>FE</sub> (Ω)	h <sub>FE</sub> (Ω)	h <sub>FE</sub> (Ω)	h <sub>FE</sub> (Ω)	h <sub>FE</sub> (Ω)	h <sub>FE</sub> (Ω)	h <sub>FE</sub> (Ω)	h <sub>FE</sub> (Ω)	h <sub>FE</sub> (Ω)	h <sub>FE</sub> (Ω)	I <sub>C</sub> (mA)	V <sub>CE</sub> (V)	V <sub>CE0</sub> (V)	P <sub>C</sub> (mW)					T <sub>J</sub> (°C)					
25C 98											0.1	20	15X	100	300	175	松下	SW	Si.EP	20	15X	100	300	175	49C
" 99											0.1	20	15X	100	300	175	"	"	Si.E	20	15X	100	300	175	49C
" 100											0.025	20	15	200	150	200	日電	RF.SW	Si.E	40	15	200	150	200	23
" 101											10mA	20	60W (T <sub>a</sub> =25°C)	2A	60W (T <sub>a</sub> =25°C)	150	東芝	RF	Si.Me	60	60R	60R	60R	150	101
" 102											45mA	50	100W (T <sub>a</sub> =25°C)	7A	100W (T <sub>a</sub> =25°C)	150	"	"	"	50	40R	7A	100W (T <sub>a</sub> =25°C)	150	109
" 103											1	15	35	1	10	10	"	SW	Si.P	25	20R	50	250	175	49C
" 103A											0.2	15	100	1	10	10	"	"	"	30	30R	80	250	175	49C
" 104											1	15					"	RF	"	25		50	250	175	49C
" 104A											0.2	15	60	1	10	10	"	"	"	30	30R	80	250	175	49C
" 105											0.005	15	35	1	0.1	10	"	"	"	30	30R	80	250	175	49C
" 106											3mA	30	20	5	0.5A	12	"	SW.PA	Si.E	60	60R	1.5A (T <sub>a</sub> =25°C)	15W (T <sub>a</sub> =25°C)	150	83
" 107											3mA	30	20	5	0.5A	12	"	"	"	60	60R	1A (T <sub>a</sub> =25°C)	15W (T <sub>a</sub> =25°C)	150	83
" 108											1	30	35	2	150	10	"	RF.SW	Si.EMe	90	45	600	600	150	84A
" 109											1	30	35	2	150	10	"	SW	"	50	25	600	600	150	84A
" 110											1	20				6	日立	RF.PA	Si.Me	40	40S	200	750	175	84A
" 111											1	20				6	"	"	"	50	50S	200	750	175	84A
" 112											1	20	50	2	200		"	SW	"	40	40S	200	750	175	84A
" 113											1	20	50	2	200		"	"	"	50	50S	200	750	175	84A
" 114											1	20	50	2	200		"	"	"	50	50S	200	750	175	84A
" 115											3	30	50	5	3	20	ソニー	RF	Si.EMe	30	25	50	750	175	84B
" 116											1	20	40	2	200	6	日立	RF.PA	"	50	25	200	750	175	84A
" 117											5	40	40	15	30	15	"	SW.PA	Si.TP	75	50	600	13W (T <sub>a</sub> =25°C)	175	83
" 118											5	40	40	15	30	15	"	PA	"	80	60	600	13W (T <sub>a</sub> =25°C)	175	83
" 119											5	40	40	15	30	15	"	"	"	75	50	600	13W (T <sub>a</sub> =25°C)	175	83
" 120											0.1	10	40	10	0.05	10	日電	RF	Si.E	40	25	25	250	150	84B
" 121											1	30				10	"	RF.Conv.Mix	"	40	25	25	250	175	84B
" 122											1	30				10	"	"	"	40	25	25	250	175	84B
" 123											1	30				10	"	"	"	40	25	25	250	175	84B
" 124											0.2	30	40	10	0.05	10	"	"	"	40	25	25	250	175	84B
" 125											3	30	50	5	3	20	"	RF.SW	Si.EMe	100	100	50	750	175	84C

www.Datasheet4U.com

www.Datasheet4U.com

84



EIAJ標準外形

TC-5

TB-5A

TB-5B

TB-5C

對照文字	A	B	C
$l$	38.1 MIN	19.0 MIN	12.5 MIN
$l_1$	1.27 MAX	1.27 MAX	1.27 MAX
$l_2$	25.4 MIN	12.7 MIN	6.35 MIN