

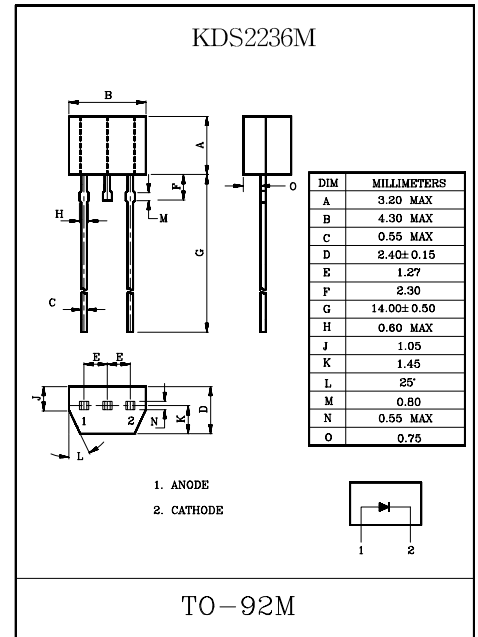
AFC APPLICATION FOR FM RECEIVER.

#### FEATURES

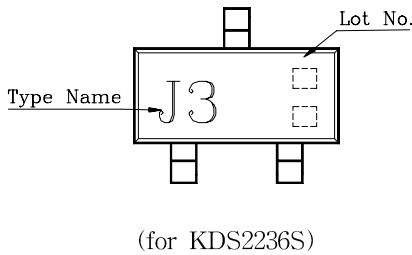
- High Q : Q=70(Min.) (f=50MHz).
- Low Reverse Current :  $I_R=100\text{nA}(\text{Max.})$  ( $V_R=4\text{V}$ ).

#### MAXIMUM RATINGS ( $T_a=25^\circ\text{C}$ )

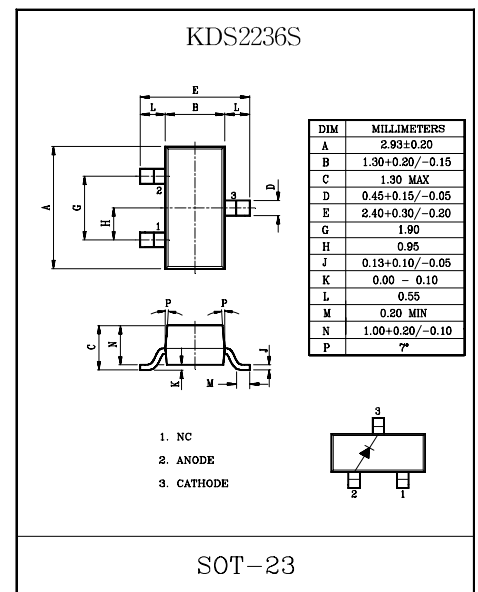
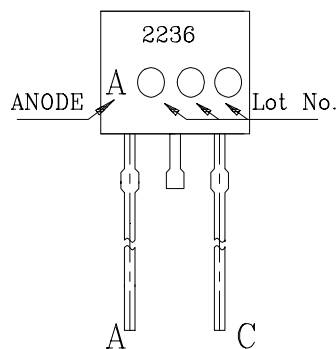
CHARACTERISTIC	SYMBOL	RATING	UNIT
Reverse Voltage	$V_R$	15	V
Junction Temperature	$T_j$	150	$^\circ\text{C}$
Storage Temperature Range	$T_{\text{stg}}$	-55~150	$^\circ\text{C}$



#### Marking



#### Marking (for KDS2236M)



#### ELECTRICAL CHARACTERISTICS ( $T_a=25^\circ\text{C}$ )

CHARACTERISTIC	SYMBOL	TEST CONDITION	MIN.	TYP.	MAX.	UNIT
Reverse Current	$I_R$	$V_R=4\text{V}$	-	-	100	nA
Total Capacitance	$C_T$	$V_R=4\text{V}, f=1\text{MHz}$	7.0	-	14	pF
Capacitance Ratio	K	(Note)	0.210	-	0.5	
Figure of Merit	Q	$V_R=4\text{V}, f=50\text{MHz}$	70	120	-	

Note)  $K = \frac{C_T(@V_R=2\text{V}, f=1\text{MHz}) - C_T(@V_R=4\text{V}, f=1\text{MHz})}{C_T(@V_R=4\text{V}, f=1\text{MHz})}$

# KDS2236M/S

