

## EPI AC4 Series



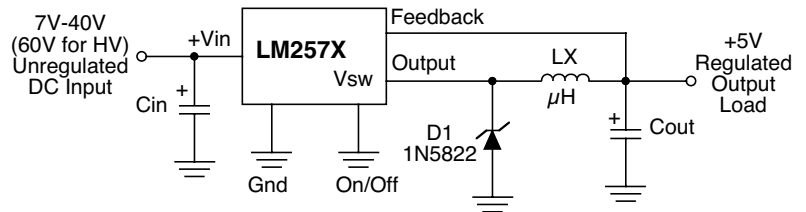
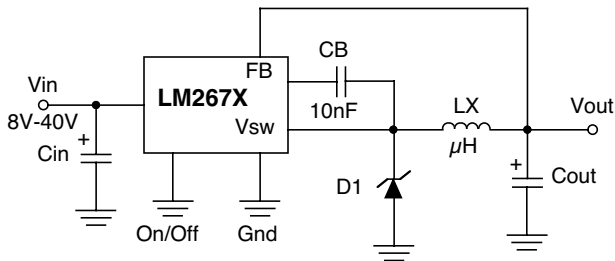
- Optimized for National's LM267X, LM259X & LM257X Series
- Low loss material ensures operation in high frequency switching converters, such as Buck, Boost or as output averaging filter inductor
- 52 KHz, 150 KHz & 260 KHz Switching Frequency
- Also suitable for use in high quality filter applications
- Low Cost Inductor

### Primary Specification

Part Number	National Semiconductor Chip	Induct. ( $\mu\text{H} \pm 15\%$ ) @ 0 Adc	DCR ( $\Omega$ Typ.)	Induct. ( $\mu\text{H} 15\%$ ) @ Idc	Idc (mA)	Core Loss			Vt1 (V- $\mu\text{sec}$ ) 150 KHz	Vt2 (V- $\mu\text{sec}$ ) 260 KHz	Vt3 (V- $\mu\text{sec}$ ) 52 KHz	Temp. Rise @ Vt $^{\circ}\text{C}$ (Typ.)
						@ Vt1 (mW)	@ Vt2 (mW)	@ Vt3 (mW)				
EPI330552AC4	LM267X-L49	42	.027	33	5500	---	445	---	---	36.6	---	34 @ Vt2
EPI470552AC4	LM267X-L48	64	.042	47	5500	---	380	---	---	42.4	---	42 @ Vt2
EPI680302AC4	LM257X-L68	78	.061	68	3000	---	---	300	---	---	96.2	24 @ Vt3
EPI101302AC4	LM257X-100	121	.093	100	3000	---	---	180	---	---	96.2	28 @ Vt3
EPI101342AC4	LM257X-L43	130	.125	100	3400	320	---	---	81.4	---	---	44 @ Vt1
EPI151202AC4	LM257X-L150	173	.144	150	2000	---	---	125	---	---	96.2	24 @ Vt3
EPI151272AC4	LM259X-L42	196	.188	150	2700	320	---	---	90.7	---	---	43 @ Vt1
EPI151302AC4	LM257X-H150	202	.191	150	3000	---	---	550	---	---	207.7	55 @ Vt3
EPI471102AC4	LM257X-L470	493	.754	470	1000	---	---	213	---	---	207.7	27 @ Vt3

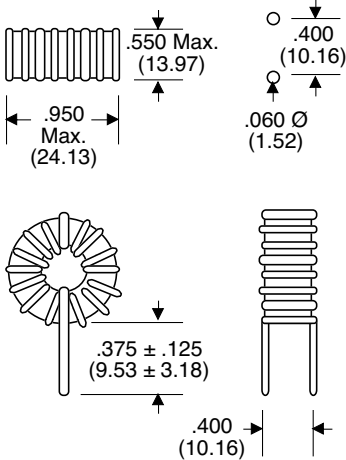
For no header version : add "V" for Vertical Mount and add "H" for Horizontal Mount

### Applications



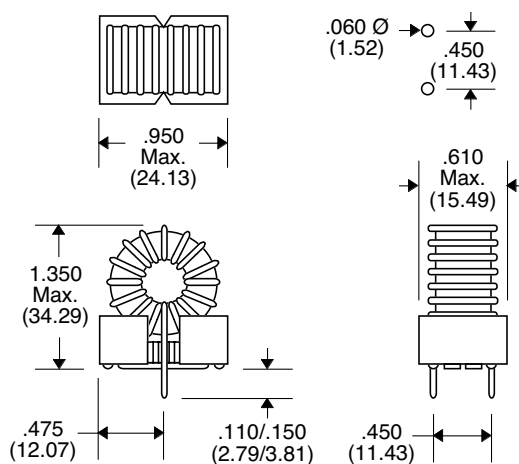
### Package AC4V

#### Pad Layout

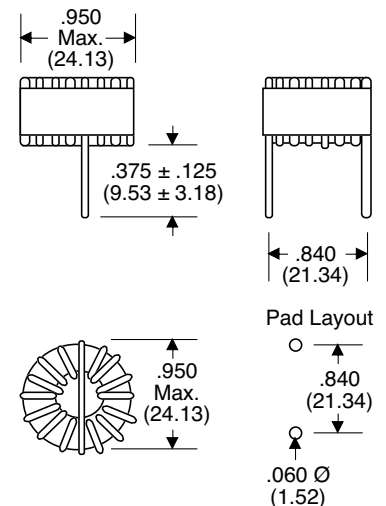


### Package AC4

#### Pad Layout



### Package AC4H



Unless Otherwise Specified Dimensions are in Inches /mm  $\pm .010 / .25$