

U Interface Transformer Hybrid

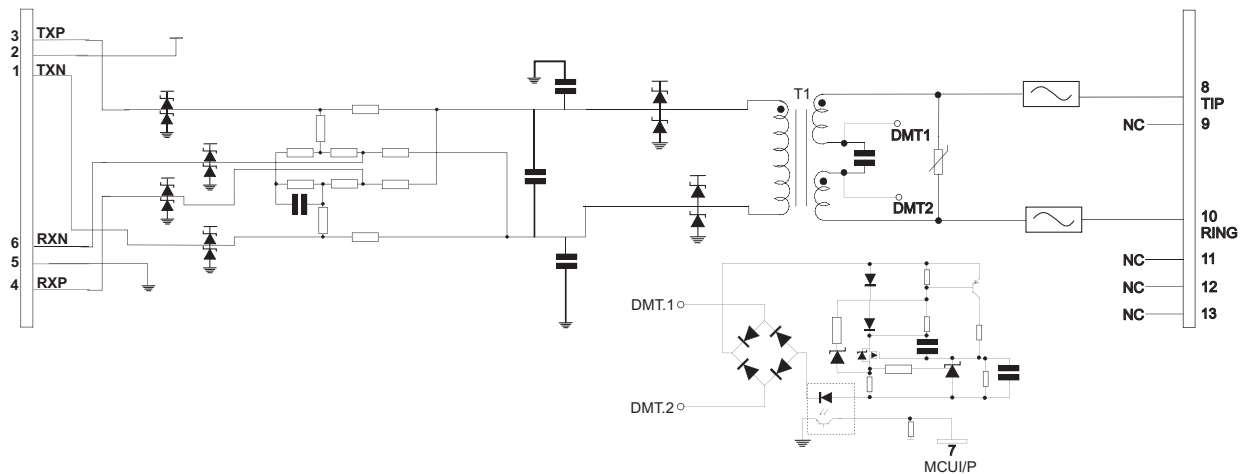
APC13112

ELECTRICAL SPECIFICATIONS @ 25°C
OPERATING TEMPERATURE -40°C TO +85°C
STORAGE TEMPERATURE -40°C TO +85°C

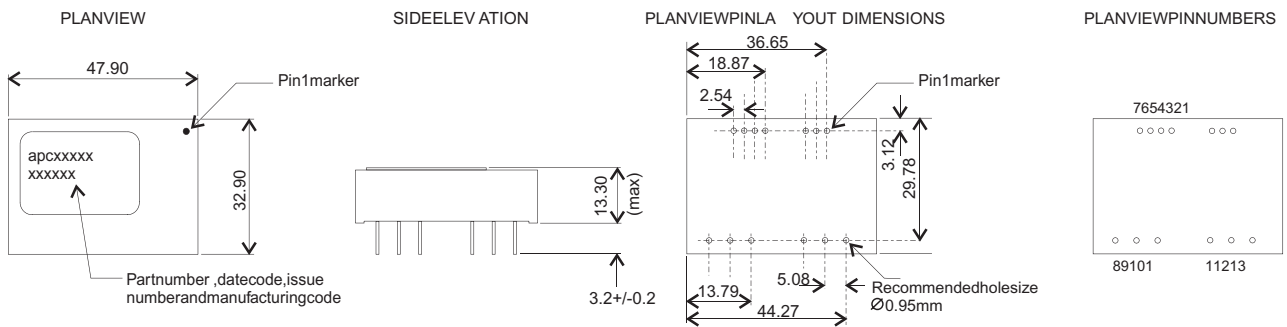
Turns Ratio (PRI:SEC) +/- 5%	Primary Inductance mH min	Leakage Inductance uH max	Primary DCR OHMS max	Secondary DCR OHMS max	Capacitance pF max	Isolation Voltage PRI:SEC Vrms
1.6:1	14.5	90	7	4.5	70	1500

NOTES: DESIGNED FOR SIEMENS U-INTERFACE PEB2091 TRANSCEIVER IC. DESIGNED TO MEET ANSI TEST LOOPS 1-15 UL CERTIFIED TO UL 1459 THIRD EDITION AND UL 1950 SECOND EDITION WITH D3 DEVIATIONS
 UL FILE NUMBER E175058

SCHEMATIC



MECHANICAL



NOTES: NOT TO SCALE
 TOLERANCE +/- 0.2MM
 ALL DIMENSIONS IN MM
 PIN DIA. 0.75MM MAX.