

TOSHIBA

TOSHIBA Original CMOS 16-Bit Microcontroller

TLCS-900/H Series

TMP95CS64/TMP95C265

TOSHIBA CORPORATION

Preface

Thank you very much for making use of Toshiba microcomputer LSIs.
Before use this LSI, refer the section, "Points of Note and Restrictions".
Especially, take care below cautions.

****CAUTION****

How to release the HALT mode

Usually, interrupts can release all halts status. However, the interrupts = ($\overline{\text{NMI}}$, INT0), which can release the HALT mode may not be able to do so if they are input during the period CPU is shifting to the HALT mode (for about 3 clocks of X1) with IDLE1 or STOP mode (IDLE2 is not applicable to this case). (In this case, an interrupt request is kept on hold internally.)

If another interrupt is generated after it has shifted to HALT mode completely, halt status can be released without difficulty. The priority of this interrupt is compare with that of the interrupt kept on hold internally, and the interrupt with higher priority is handled first followed by the other interrupt.

CMOS 16-Bit Microcontrollers

TMP95CS64F / TMP95C265F

1. Outline and Features

TMP95CS64/265 is a high-speed 16-bit microcontroller designed for the control of various mid- to large-scale equipment. TMP95CS64 incorporates masked ROM, while TMP95C265 has no ROM. Otherwise, all the functions of the products are the same.

TMP95CS64/265 comes in a 100-pin flat package.

Listed below are the features.

- (1) High-speed 16-bit CPU (900/H CPU)
 - Instruction mnemonics are upward-compatible with TLCS-90/900
 - 16 Mbytes of linear address space
 - General-purpose registers and register banks
 - 16-bit multiplication and division instructions; bit transfer and arithmetic instructions
 - Micro DMA: Four-channels (640 ns / 2 bytes at 25 MHz)
- (2) Minimum instruction execution time: 160 ns (at 25 MHz)
- (3) Built-in RAM: 2 Kbytes
 Built-in ROM:

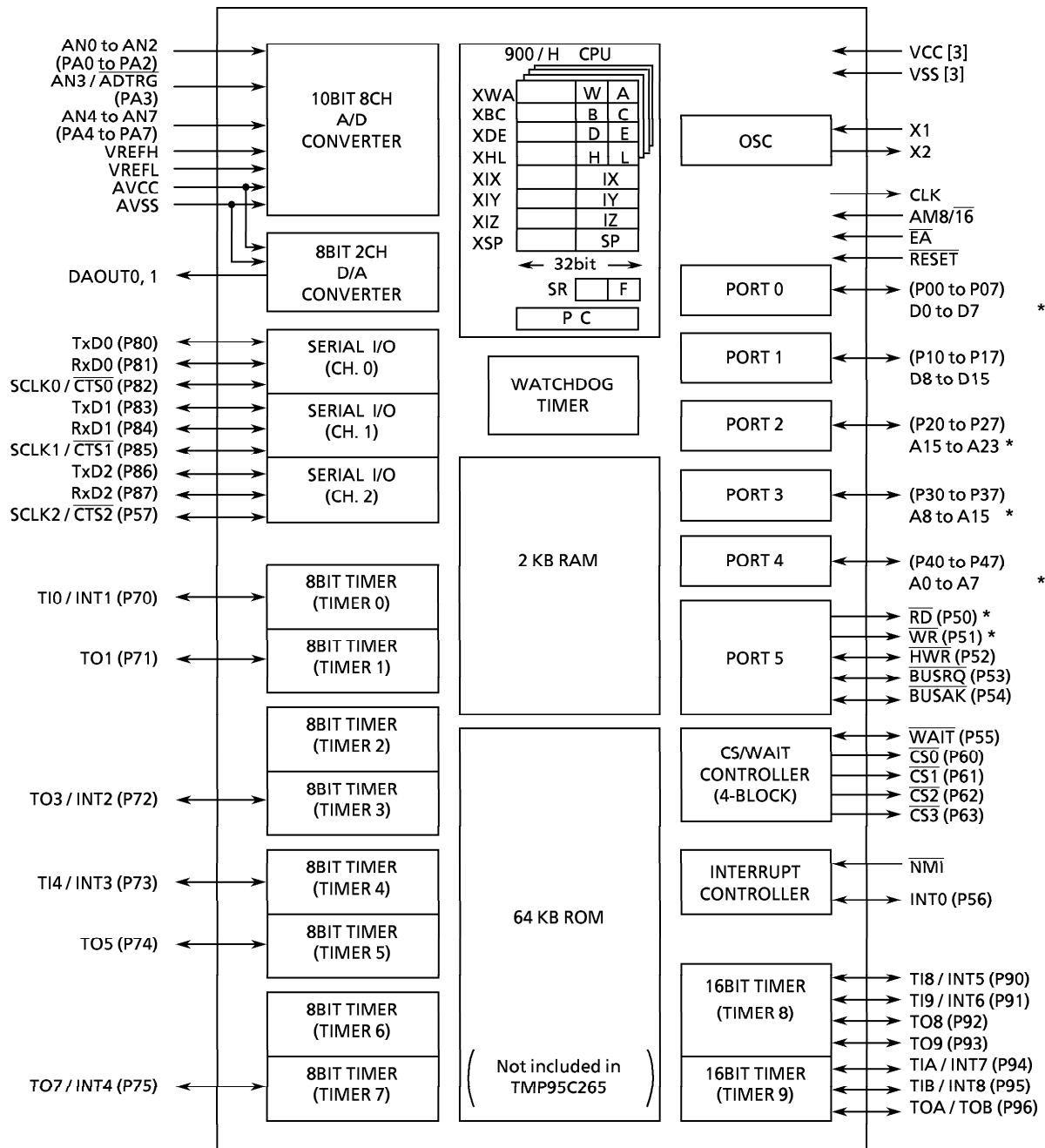
TMP95CS64	64 Kbyte ROM
TMP95C265	No ROM
- (4) External memory expansion
 - Expandable up to 16 Mbytes (shared program/data area)
 - External data bus width select pin ($AM8/\overline{I6}$)
 - Can simultaneously support 8/16-bit width external data bus
 ... Dynamic data bus sizing
- (5) 8-bit timers: 8 channels
 - With event counter function: 2 channels
- (6) 16-bit timer/event counter: 2 channels

000707EBP1

- For a discussion of how the reliability of microcontrollers can be predicted, please refer to Section 1.3 of the chapter entitled Quality and Reliability Assurance / Handling Precautions.
- TOSHIBA is continually working to improve the quality and reliability of its products. Nevertheless, semiconductor devices in general can malfunction or fail due to their inherent electrical sensitivity and vulnerability to physical stress. It is the responsibility of the buyer, when utilizing TOSHIBA products, to comply with the standards of safety in making a safe design for the entire system, and to avoid situations in which a malfunction or failure of such TOSHIBA products could cause loss of human life, bodily injury or damage to property. In developing your designs, please ensure that TOSHIBA products are used within specified operating ranges as set forth in the most recent TOSHIBA products specifications. Also, please keep in mind the precautions and conditions set forth in the "Handling Guide for Semiconductor Devices," or "TOSHIBA Semiconductor Reliability Handbook" etc..
- The TOSHIBA products listed in this document are intended for usage in general electronics applications (computer, personal equipment, office equipment, measuring equipment, industrial robotics, domestic appliances, etc.). These TOSHIBA products are neither intended nor warranted for usage in equipment that requires extraordinarily high quality and/or reliability or a malfunction or failure of which may cause loss of human life or bodily injury ("Unintended Usage"). Unintended Usage include atomic energy control instruments, airplane or spaceship instruments, transportation instruments, traffic signal instruments, combustion control instruments, medical instruments, all types of safety devices, etc.. Unintended Usage of TOSHIBA products listed in this document shall be made at the customer's own risk.
- The products described in this document are subject to the foreign exchange and foreign trade laws.
- The information contained herein is presented only as a guide for the applications of our products. No responsibility is assumed by TOSHIBA CORPORATION for any infringements of intellectual property or other rights of the third parties which may result from its use. No license is granted by implication or otherwise under any intellectual property or other rights of TOSHIBA CORPORATION or others.
- The information contained herein is subject to change without notice.

- (7) General-purpose serial interface: 3 channels
- (8) 10-bit A/D converter: 8 channels
- (9) 8-bit D/A converter: 2 channels
- (10) Watchdog timer
- (11) Chip select/wait controller: 4 blocks
- (12) Interrupts: 45 interrupts
 - 9 CPU interrupts: Software interrupt instruction and illegal instruction
 - 26 internal interrupts:
 - 10 external interrupts:] Seven selectable priority levels
- (13) Input/output ports

TMP95CS64	81 pins
TMP95C265	55 pins
- (14) Standby mode
 - Four HALT modes: RUN, IDLE2, IDLE1, STOP
- (15) Operating voltage
 - $V_{CC}=2.7 - 3.3$ V
 - $V_{CC}=4.5 - 5.5$ V
- (16) Package
 - P-LQFP100-1414-0.50F



Note: Pin states after reset

Product	AM8/16	Pin function after reset
TMP95CS64	Fixed to high level	Multi-use pins can select function in parentheses ().
TMP95C265	High level	Multi-use pins other than those marked by an asterisk can select functions in parentheses ().
	Low level	Multi-use pins other than those marked by asterisk can select function in parentheses (). However, port 1 can select functions outside parentheses ().

Figure 1 TMP95CS64/TMP95C265 Block Diagram

2. Pin Assignment and Pin Functions

This section shows the TMP95CS64F/265F pin assignment, and the names and an outline of the functions of the input/output pins.

2.1 Pin Assignment Diagram

Figure 2.1 is a pin assignment diagram for TMP95CS64F/265F.

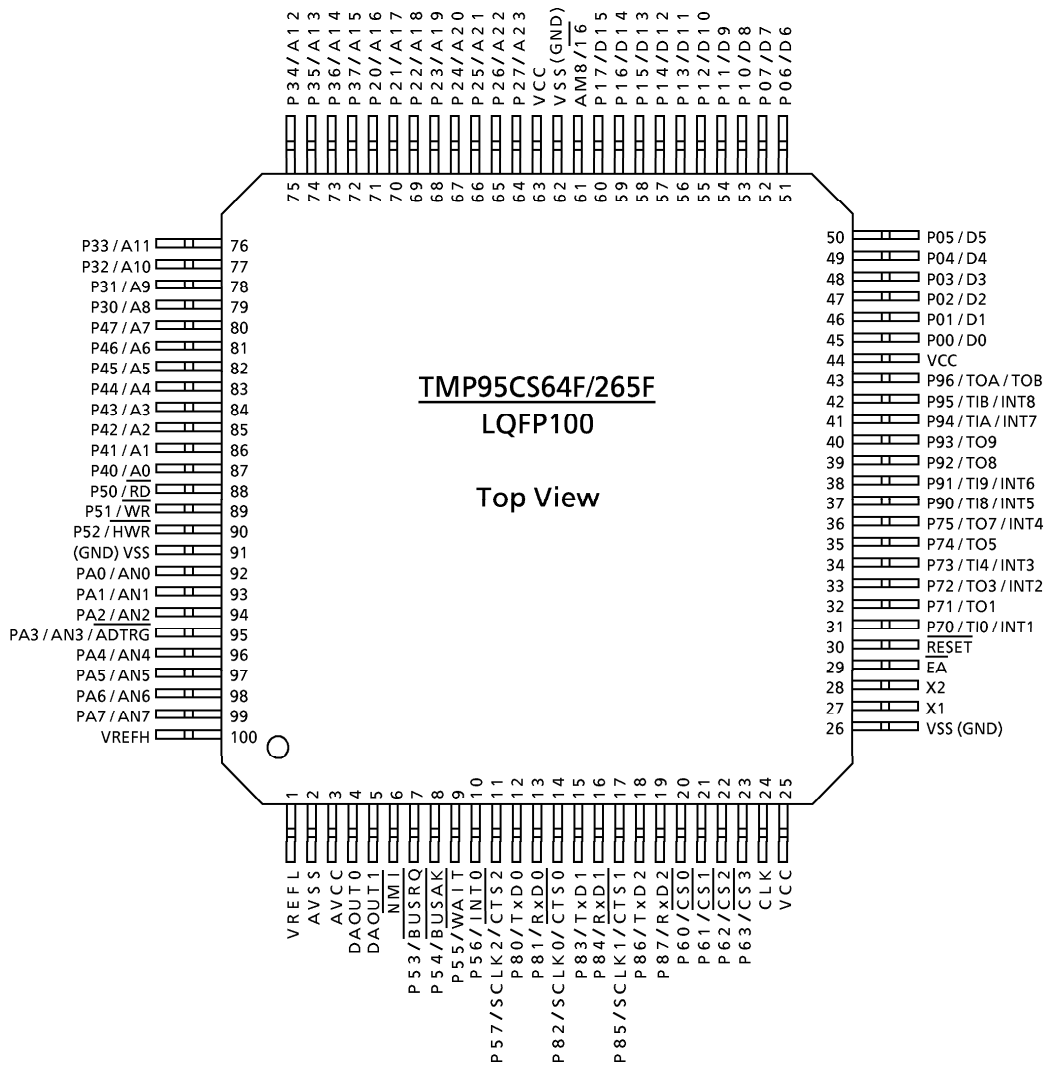


Figure 2.1 Pin Assignment Diagram (100-Pin LQFP)

2.2 Pin Names and Functions

Table 2.2 shows the names and functions of the input/output pins.

Table 2.2 Pin Names and Functions (1/4)

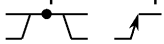
Pin Name	Number of Pins	Input/Output	Function
P00 to P07 / D0 to D7	8	Input/output	Port 0: I/O port. Input or output specifiable in units of bits
		Input/output	Data: Data bus 0 to 7
P10 to P17 / D8 to D15	8	Input/output	Port 1: I/O port. Input or output specifiable in units of bits
		Input/output	Data: Data bus 8 to 15
P20 to P27 / A16 to A23	8	Input/output	Port 2: I/O port. Input or output specifiable in units of bits
		Output	Address: Address bus 16 to 23
P30 to P37 / A8 to A15	8	Input/output	Port 3: I/O port. Input or output specifiable in units of bits
		Output	Address: Address bus 8 to 15
P40 to P47 / A0 to A7	8	Input/output	Port 4: I/O port. Input or output specifiable in units of bits
		Output	Address: Address bus 0 to 7
P50 / \overline{RD}	1	Output	Port 50: Output-only port
		Output	Read: Outputs strobe signal to read external memory (setting P5 <P50> = 0 and P5FC <P50F> = 1 outputs strobe signal at all read timings)
P51 / \overline{WR}	1	Output	Port 51: Output-only port.
		Output	Write: Outputs strobe signal to write data on pins D0 to D7
P52 / \overline{HWR}	1	Input/output	Port 52: I/O port (with built-in pull-up resistor)
		Output	Upper write: Outputs strobe signal to write data on pins D8 to D15
P53 / \overline{BUSRQ}	1	Input/output	Port 53: I/O port (with built-in pull-up resistor)
		Input	Bus request: Input pin to request external bus release
P54 / \overline{BUSAK}	1	Input/output	Port 54: I/O port (with built-in pull-up resistor)
		Output	Bus acknowledge: Output pin to acknowledge that CPU received \overline{BUSRQ} and released external bus.
P55 / \overline{WAIT}	1	Input/output	Port 55: I/O port (with built-in pull up resistor)
		Input	Wait: Buswait request pin for CPU (Effective when 1 + N WAIT mode, or 0 + N WAIT mode. Set using chip select/wait control register.)
P56 / INT0	1	Input/output	Port 56: I/O port (with built-in pull-up resistor)
		Input	Interrupt request pin 0: Interrupt request pin with programmable level/rising edge. 

Table 2.2 Pin Names and Functions (2/4)

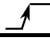

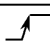

Pin Name	Number of Pins	Input/Output	Function
P57 /SCLK2 /CTS2	1	Input/output	Port 57: I/O port (with built-in pull-up resistor)
		Input/output	Serial clock input/output 2
		Input	Serial data ready to send 2 (Clear-to-send)
P60 /CS0	1	Output	Port 60: Output-only port
		Output	Chip select 0: Outputs 0 if address is within specified address range
P61 /CS1	1	Output	Port 61: Output-only port
		Output	Chip select 1: Outputs 0 if address is within specified address range
P62 /CS2	1	Output	Port 62: Output-only port
		Output	Chip select 2: Outputs 0 if address is within specified address range
P63 /CS3	1	Output	Port 63: Output-only port
		Output	Chip select 3: Outputs 0 if address is within specified address range
P70 /TI0 /INT1	1	Input/output	Port 70: I/O port
		Input	Timer input 0: Input pin for timer 0
		Input	Interrupt request pin 1: Rising-edge interrupt request pin 
P71 /TO1	1	Input/output	Port 71: I/O port.
		Output	Timer output 1: Output pin for timer 0 or 1
P72 /TO3 /INT2	1	Input/output	Port 72: I/O port
		Output	Timer output 3: Output pin for timer 2 or 3
		Input	Interrupt request pin 2: Rising-edge interrupt request pin 
P73 /TI4 /INT3	1	Input/output	Port 73: I/O port
		Input	Timer input 4: Input pin for timer 4
		Input	Interrupt request pin 3: Rising-edge interrupt request pin 
P74 /TO5	1	Input/output	Port 74: I/O port
		Output	Timer output 5: Output pin for timer 4 or 5
P75 /TO7 /INT4	1	Input/output	Port 75: I/O port
		Output	Timer output 7: Output pin for timer 6 or 7
		Input	Interrupt request pin 4: Rising-edge interrupt request pin 
P80 /TxD0	1	Input/output	Port 80: I/O port (with built-in pull-up resistor)
		Output	Serial transmission data 0
P81 /RxD0	1	Input/output	Port 81: I/O port (with built-in pull-up resistor)
		Input	Serial receive data 0
P82 /SCLK0 /CTS0	1	Input/output	Port 82: I/O port (with built-in pull-up resistor)
		Input/output	Serial clock input/output 0
		Input	Serial data ready to send 0 (Clear-to-send)

Table 2.2 Pin Names and Functions (3/4)

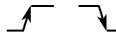

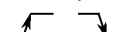


Pin Name	Number of Pins	Input/Output	Function
P83 /TxD1	1	Input/output	Port 83: I/O port (with built-in pull-up resistor)
		Output	Serial transmission data 1
P84 /RxD1	1	Input/output	Port 84: I/O port (with built-in pull-up resistor)
		Input	Serial receive data 1
P85 /SCLK1 / $\overline{\text{CTS1}}$	1	Input/output	Port 85: I/O port (with built-in pull-up resistor)
		Input/output	Serial clock input/output 1
		Input	Serial data ready to send 1 (Clear-to-send)
P86 /TxD2	1	Input/output	Port 86: I/O port (with built-in pull-up resistor)
		Output	Serial transmission data 2
P87 /RxD2	1	Input/output	Port 87: I/O port (with built-in pull-up resistor)
		Input	Serial receive data 2
P90 /TI8 /INT5	1	Input/output	Port 90: I/O port
		Input	Timer input 8: Input pin for timer 8
		Input	Interrupt request pin 5: Interrupt request pin with programmable rising/falling edge 
P91 /TI9 /INT6	1	Input/output	Port 91: I/O port
		Input	Timer input 9: Input pin for timer 8
		Input	Interrupt request pin 6: Rising edge interrupt request pin 
P92 /TO8	1	Input/output	Port 92: I/O port
		Output	Timer output 8: Output pin for timer 8
P93 /TO9	1	Input/output	Port 93: I/O port
		Output	Timer output 9: Output pin for timer 8
P94 /TIA /INT7	1	Input/output	Port 94: I/O port
		Input	Timer input A: Input pin for timer 9
		Input	Interrupt request pin 7: Interrupt request pin with programmable rising/falling edge 
P95 /TIB /INT8	1	Input/output	Port 95: I/O port
		Input	Timer input B: Input pin for timer 9
		Input	Interrupt request pin 8: Rising edge interrupt request pin 
P96 /TOA /TOB	1	Input/output	Port 96: I/O port
		Output	Timer output A: Output pin for timer 9
		Output	Timer output B: Output pin for timer 9
PA0 to PA2 /AN0 to AN2	3	Input	Port A0 to A2: Input-only port
		Input	Analog input 0 to 2: A/D converter input pins
PA3 /AN3 / $\overline{\text{ADTRG}}$	1	Input	Port A3: Input-only port
		Input	Analog input 3: A/D converter input pin
		Input	External start trigger

Table 2.2 Pin Names and Functions (4/4)

Pin Name	Number of Pins	Input/Output	Function
PA4 to PA7 / AN4 to AN7	4	Input	Port A4 to A7: Input-only port
		Input	Analog input 4 to 7: A/D converter input pins
DAOUT0	1	Output	D/A output 0: D/A converter 0 output pin
DAOUT1	1	Output	D/A output 1: D/A converter 1 output pin
$\overline{\text{NMI}}$	1	Input	Non-maskable interrupt request pin: Interrupt request pin with programmable falling edge or both falling and rising edge 
CLK	1	Output	Clock output: Outputs external clock divided by 4. Pulled up during reset.
$\overline{\text{EA}}$	1	Input	External access: With TMP95CS64, connect to VCC. With TMP95C265, connect to GND.
AM8 / $\overline{16}$	1	Input	Address mode: External data bus width select pin With TMP95CS64: Connect this pin to VCC. Data bus width at external access can be set by chip select/wait control register. With TMP95C265: Connect to GND when external 16-bit bus is fixed or external 8/16-bit buses are mixed. When external 8-bit bus is fixed, connect to VCC.
$\overline{\text{RESET}}$	1	Input	Reset: Initializes TMP95CS64/265 (with built-in pull-up resistor)
VREFH	1	Input	Reference voltage input pin for A/D converter (high)
VREFL	1	Input	Reference voltage input pin for A/D converter (low)
AVCC	1		Power supply pin for A/D converter and reference voltage input pin for D/A converter: Connect to power supply
AVSS	1		GND pin for A/D converter and reference voltage input pin for D/A converter: Connect to GND
X1/X2	2	Input/output	Oscillator connecting pin
VCC	3		Collector supply pin: Connect all VCC pins to power supply
VSS	3		GND pin: Connect all VSS pins to GND (0 V)

Note: Disconnect the pull-up resistors from pins other than $\overline{\text{RESET}}$ pin by software.

3. Operation

The following describes block by block the functions and basic operation of TMP95CS64/265. Notes and restrictions for each block are outlined in “7, Use Precautions and Restrictions” at the end of this manual.

3.1 CPU

TMP95CS64/265 incorporates a high-performance 16-bit CPU (900/H-CPU). For CPU operation, see the “TLCS-900/H CPU”.

The following describes the unique functions of the CPU used in TMP95CS64/265; these functions are not covered in the TLCS-900/H CPU section.

3.1.1 Reset

When resetting the TMP95CS64/265 microcontroller, ensure that the power supply voltage is within the operating voltage range, and that the internal high-frequency oscillator has stabilized. Then hold the **RESET** input to low level for at least 10 system clocks (ten states: 0.8 μ s at 25 MHz).

When the reset is accepted, the CPU:

- Sets as follows the program counter (PC) in accordance with the reset vector stored at address FFFF00H to FFFF02H:
PC (7: 0) ← value at FFFF00H address
PC (15: 8) ← value at FFFF01H address
PC (23: 16) ← value at FFFF02H address
- Sets the stack pointer (XSP) to 100H.
- Sets bits <IFF2:0> of the status register (SR) to 111 (sets the interrupt level mask register to level 7).
- Sets the <MAX> bit of the status register to 1 (MAX mode).
(Note: As this product does not support a MIN mode, don't write 0 to <MAX>.)
- Clears bits <RFP2:0> of the status register to 000 (sets the register bank to 0).

When reset is released, the CPU starts executing instructions in accordance with the program counter settings. CPU internal registers not mentioned above do not change when the reset is released.

When the reset is accepted, the CPU sets internal I/O, ports, and other pins as follows.

- Initializes the internal I/O registers.
- Sets the port pins, including the pins that also act as internal I/O, to general-purpose input or output port mode.
- Pulls up the CLK pin to high level.

(Note: During reset, do not reduce the external voltage level as this can cause malfunction.)

3.2 Memory Map

TMP95CS64/265 uses 160 bytes of address space as an internal I/O area. This is allocated to address area 000000H to 00009FH. The CPU can access this internal I/O by direct addressing mode using short command code.

Figure 3.2 shows the memory map and the access widths for the CPU addressing modes.

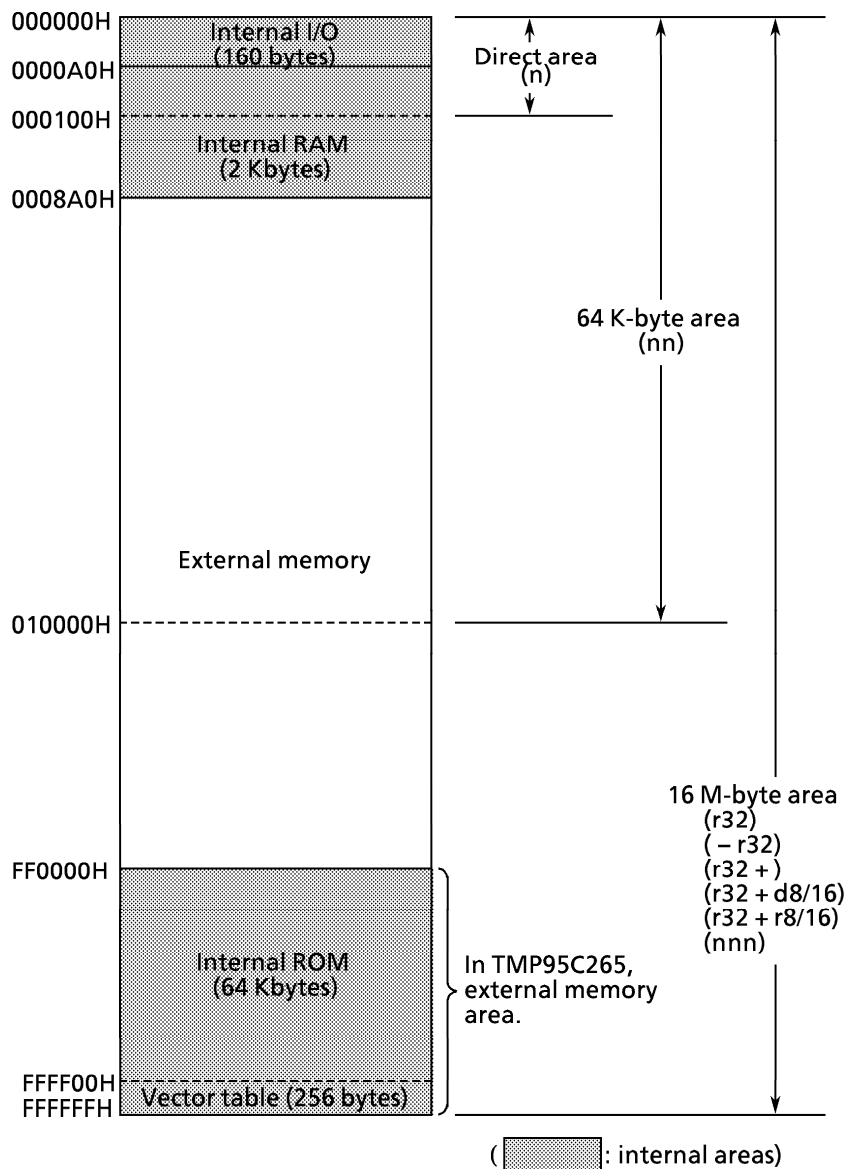


Figure 3.2 TMP95CS64/265 Memory Map

4. Electrical Characteristics

4.1 Absolute Maximum Ratings

Parameter	Symbol	Rating	Unit
Power Supply Voltage	V_{CC}	- 0.5 to + 6.5	V
Input Voltage	V_{IN}	- 0.5 to $V_{CC} + 0.5$	V
Output current (total)	ΣI_{OL}	+ 120	mA
Output current (total)	ΣI_{OH}	- 120	mA
Power Dissipation ($T_a = +70^\circ\text{C}$)	P_D	600	mW
Soldering Temperature (10 s)	T_{SOLDER}	+ 260	$^\circ\text{C}$
Storage Temperature	T_{STG}	- 65 to + 150	$^\circ\text{C}$
Operating Temperature	T_{OPR}	- 20 to + 70	$^\circ\text{C}$

Note: The absolute maximum ratings are rated values which must not be exceeded during operation, even for an instant. Any one of the ratings must not be exceeded. If any absolute maximum rating is exceeded, a device may break down or its performance may be degraded, causing it to catch fire or explode resulting in injury to the user. Thus, when designing products which include this device, ensure that no absolute maximum rating value will ever be exceeded.

4.2 DC Electrical Characteristics

- (1) $V_{CC} = +5\text{ V} \pm 10\%$, $T_a = -20$ to $+70^\circ\text{C}$ ($f_c = 8$ to 25 MHz)

(Typical values are for $T_a = +25^\circ\text{C}$, $V_{CC} = +5\text{ V}$.)

Parameter	Symbol	Test Condition	Min	Max	Unit
Input Low Voltage (D0 to 15) Port 2 to A (except P56, P70, P72, P73, P75) RESET, NMI, INT0 to 4 EA, AM8/16 X1	V_{IL}		-0.3	0.8	V
	V_{IL1}		-0.3	$0.3 V_{CC}$	V
	V_{IL2}		-0.3	$0.25 V_{CC}$	V
	V_{IL3}		-0.3	0.3	V
Input High Voltage (D0 to 15) Port 2 to A (except P56, P70, P72, P73, P75) RESET, NMI, INT0 to 4 EA, AM8/16 X1	V_{IH}		2.2	$V_{CC} + 0.3$	V
	V_{IH1}		$0.7 V_{CC}$	$V_{CC} + 0.3$	V
	V_{IH2}		$0.75 V_{CC}$	$V_{CC} + 0.3$	V
	V_{IH3}		$V_{CC} - 0.3$	$V_{CC} + 0.3$	V
Output Low Voltage	V_{OL}	$I_{OL} = 1.6\text{ mA}$		0.45	V
	V_{OH}	$I_{OH} = -400\ \mu\text{A}$	2.4		V
Output High Voltage	V_{OH1}	$I_{OH} = -100\ \mu\text{A}$	$0.75 V_{CC}$		V
	V_{OH2}	$I_{OH} = -20\ \mu\text{A}$	$0.9 V_{CC}$		V
Darlington Drive Current (8 Output Pins max.)	I_{DAR}	$V_{EXT} = 1.5\text{ V}$ $R_{EXT} = 1.1\text{ k}\Omega$	-1.0	-3.5	mA
Input Leakage Current	I_{LI}	$0.0 \leq V_{in} \leq V_{CC}$	0.02 (Typ)	± 5	μA
Output Leakage Current	I_{LO}	$0.2 \leq V_{in} \leq V_{CC} - 0.2$	0.05 (Typ)	± 10	μA
Operating Current (RUN) IDLE2 IDLE1 STOP ($T_a = -20$ to $+70^\circ\text{C}$) STOP ($T_a = 0$ to $+50^\circ\text{C}$)	I_{CC}	$f_c = 25\text{ MHz}$	40 (Typ)	50	mA
			30 (Typ)	40	mA
			3.5 (Typ)	10	mA
			0.5 (Typ)	50	μA
Power Down Voltage (@STOP, RAM Back up)	V_{STOP}	$V_{IL2} = 0.2 V_{CC}$, $V_{IH2} = 0.8 V_{CC}$	2.0	6.0	V
			45	160	$\text{k}\Omega$
Pull Up Resistance	R_{RP}				
Pin Capacitance	C_{IO}	$f_c = 1\text{ MHz}$		10	pF
Schmitt Width RESET, NMI, INT0 to 4	V_{TH}		0.4	1.0 (Typ)	V

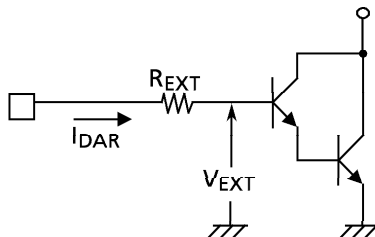
Note: I_{DAR} guarantees up to eight pins from any output port.

(2) $V_{CC} = +3 V \pm 10\%$, $T_a = -20$ to $+70^\circ C$ ($f_c = 4$ to 10 MHz)

(Typical values are for $T_a = +25^\circ C$, $V_{CC} = +3 V$.)

Parameter	Symbol	Test Condition	Min	Max	Unit
Input Low Voltage (D0 to 15) Port 2 to A (except P56, P70, P72, P73, P75) RESET, NMI, INT0 to 4 EA, AM8/16 X1	V_{IL}		-0.3	0.6	V
	V_{IL1}		-0.3	$0.3 V_{CC}$	V
	V_{IL2}		-0.3	$0.25 V_{CC}$	V
	V_{IL3}		-0.3	0.3	V
Input High Voltage (D0 to 15) Port 2 to A (except P56, P70, P72, P73, P75) RESET, NMI, INT0 to 4 EA, AM8/16 X1	V_{IH}		2.0	$V_{CC} + 0.3$	V
	V_{IH1}		$0.7 V_{CC}$	$V_{CC} + 0.3$	V
	V_{IH2}		$0.75 V_{CC}$	$V_{CC} + 0.3$	V
	V_{IH3}		$V_{CC} - 0.3$	$V_{CC} + 0.3$	V
Output Low Voltage	V_{OL}	$I_{OL} = 1.6$ mA		0.45	V
Output High Voltage	V_{OH}	$I_{OH} = -400$ μ A	2.4		V
Input Leakage Current	I_{LI}	$0.0 \leq V_{in} \leq V_{CC}$	0.02 (Typ)	± 5	μ A
Output Leakage Current	I_{LO}	$0.2 \leq V_{in} \leq V_{CC} - 0.2$	0.05 (Typ)	± 10	μ A
Operating Current (RUN)	I_{CC}	$f_c = 10$ MHz	12 (Typ)	25	mA
IDLE2			4.5 (Typ)	17	mA
IDLE1			0.8 (Typ)	5	mA
STOP ($T_a = -20$ to $+70^\circ C$)			0.5 (Typ)	50	μ A
STOP ($T_a = 0$ to $+50^\circ C$)		$0.2 \leq V_{in} \leq V_{CC} - 0.2$	0.5 (Typ)	10	μ A
Power Down Voltage (@ STOP, RAM Back up)	V_{STOP}	$V_{IL2} = 0.2 V_{CC}$, $V_{IH2} = 0.8 V_{CC}$	2.0	6.0	V
Pull Up Resistance	R_{RP}		70	400	k Ω
Pin Capacitance	C_{IO}	$f_c = 1$ MHz		10	pF
Schmitt Width RESET, NMI, INT0 to 4	V_{TH}		0.4	1.0 (Typ)	V

Refer: I_{DAR} definition diagram.



4.3 AC Electrical Characteristics

(1) $V_{CC} = +5\text{ V} \pm 10\%$, $T_a = -20$ to $+70^\circ\text{C}$

(fc = 8 MHz to 25 MHz)

No.	Parameter	Symbol	Formula		20 MHz		25 MHz		Unit
			Min	Max	Min	Max	Min	Max	
1	Oscillation cycle (= x)	t _{OSC}	40	125	50		40		ns
2	Clock pulse width	t _{CLK}	2.0x - 40		60		40		ns
3	A0 to 23 valid → Clock hold	t _{AK}	0.5x - 20		5		0		ns
4	Clock valid → A0 to 23 hold	t _{KA}	1.5x - 60		15		0		ns
5	A0 to 23 valid → $\overline{\text{RD}}/\overline{\text{WR}}$ fall	t _{AC}	1.0x - 20		30		20		ns
6	$\overline{\text{RD}}/\overline{\text{WR}}$ rise → A0 to 23 hold	t _{CA}	0.5x - 20		5		0		ns
7	A0 to 23 valid → D0 to 15 input	t _{AD}		3.5x - 40		135		100	ns
8	$\overline{\text{RD}}$ fall → D0 to 15 input	t _{RD}		2.5x - 45		80		55	ns
9	$\overline{\text{RD}}$ low pulse width	t _{RR}	2.5x - 40		85		60		ns
10	$\overline{\text{RD}}$ rise → D0 to 15 hold	t _{HR}	0		0		0		ns
11	$\overline{\text{WR}}$ low pulse width	t _{WW}	2.5x - 40		85		60		ns
12	D0 to 15 valid → $\overline{\text{WR}}$ rise	t _{DW}	2.0x - 40		60		40		ns
13	$\overline{\text{WR}}$ rise → D0 to 15 hold	t _{WD}	0.5x - 10		15		10		ns
14	A0 to 23 valid → $\overline{\text{WAIT}}$ input (¹ / _{+n} WAIT mode)	t _{AW}		3.5x - 90		85		50	ns
	A0 to 23 valid → $\overline{\text{WAIT}}$ input (⁰ / _{+n} WAIT mode)	t _{AW}		1.5x - 40		35		20	ns
15	$\overline{\text{RD}}/\overline{\text{WR}}$ fall → $\overline{\text{WAIT}}$ hold (¹ / _{+n} WAIT mode)	t _{CW}	2.5x + 0		125		100		ns
	$\overline{\text{RD}}/\overline{\text{WR}}$ fall → $\overline{\text{WAIT}}$ hold (⁰ / _{+n} WAIT mode)	t _{CW}	0.5x + 0		25		20		ns
16	$\overline{\text{WR}}$ rise → PORT valid	t _{CP}		200		200		200	ns
17	$\overline{\text{CS}}$ Low pulse width (PSRAM mode)	t _{CE}	3.0x - 40		110		80		ns
18	$\overline{\text{CS}}$ fall → D0 to 15 input (PSRAM mode)	t _{CEA}		3.0x - 60		90		60	ns
19	Address setup time (PSRAM mode)	t _{PASC}	0.5x - 15		10		5		ns
20	$\overline{\text{CS}}$ precharge time (PSRAM mode)	t _{PP}	1.0x - 10		40		30		ns

AC measuring conditions

- Output level: High 2.2 V/Low 0.8 V, CL = 50 pF
- Input level: High 2.4 V / Low 0.45 V (D0 to D15)
High 0.8 V_{CC} / Low 0.2 V_{CC} (except for D0 to D15)

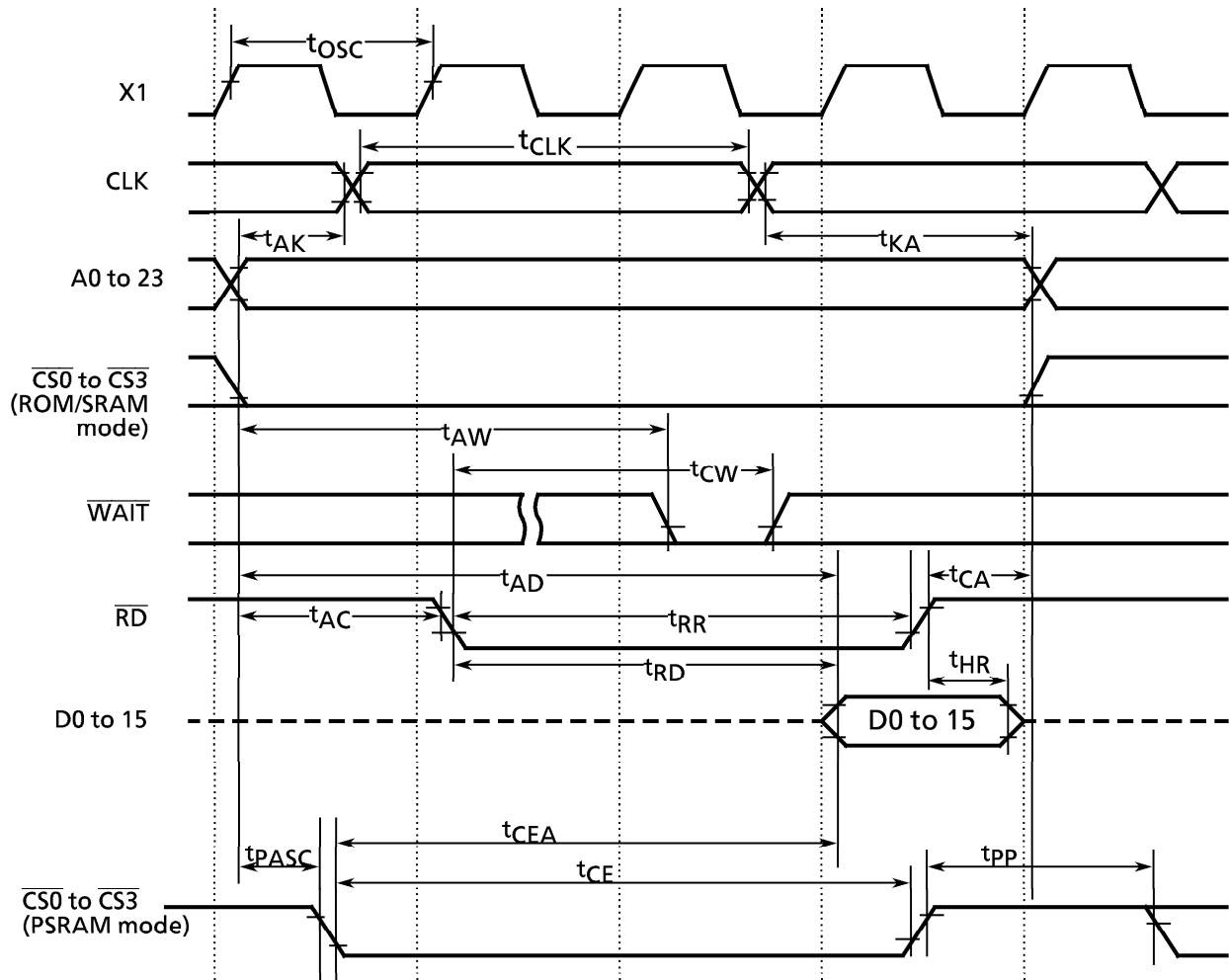
(2) $V_{CC} = +3V \pm 10\%$, $T_a = -20$ to $+70^\circ\text{C}$ (f_c = 4 MHz to 10 MHz)

No.	Parameter	Symbol	Formula		10 MHz		Unit
			Min	Max	Min	Max	
1	Oscillation cycle (= x)	t _{OSC}	100	250	100		ns
2	Clock pulse width	t _{CLK}	2.0x – 70		130		ns
3	A0 to 23 valid → $\overline{\text{RD}}/\overline{\text{WR}}$ fall	t _{AC}	1.0x – 60		40		ns
4	$\overline{\text{RD}}/\overline{\text{WR}}$ rise → A0 to 23 hold	t _{CA}	0.5x – 40		10		ns
5	A0 to 23 valid → D0 to 15 input	t _{AD}		3.5x – 125		225	ns
6	$\overline{\text{RD}}$ fall → D0 to 15 input	t _{RD}		2.5x – 115		135	ns
7	$\overline{\text{RD}}$ Low pulse width	t _{RR}	2.5x – 40		210		ns
8	$\overline{\text{RD}}$ rise → D0 to 15 hold	t _{HR}	0		0		ns
9	$\overline{\text{WR}}$ Low pulse width	t _{WW}	2.5x – 40		210		ns
10	D0 to 15 valid → $\overline{\text{WR}}$ rise	t _{DW}	2.0x – 120		80		ns
11	$\overline{\text{WR}}$ rise → D0 to 15 hold	t _{WD}	0.5x – 40		10		ns
12	A0 to 23 valid → $\overline{\text{WAIT}}$ input $\left(\begin{smallmatrix} 1 \\ + \\ n \end{smallmatrix} \text{WAIT}_{\text{mode}}\right)$	t _{AW}		3.5x – 130		220	ns
	A0 to 23 valid → $\overline{\text{WAIT}}$ input $\left(\begin{smallmatrix} 0 \\ + \\ n \end{smallmatrix} \text{WAIT}_{\text{mode}}\right)$	t _{AW}		1.5x – 80		70	ns
13	$\overline{\text{RD}}/\overline{\text{WR}}$ fall → WAIT hold $\left(\begin{smallmatrix} 1 \\ + \\ n \end{smallmatrix} \text{WAIT}_{\text{mode}}\right)$	t _{CW}	2.5x + 0		250		ns
	$\overline{\text{RD}}/\overline{\text{WR}}$ fall → WAIT hold $\left(\begin{smallmatrix} 0 \\ + \\ n \end{smallmatrix} \text{WAIT}_{\text{mode}}\right)$	t _{CW}	0.5x + 0		50		ns
14	$\overline{\text{WR}}$ rise → PORT valid	t _{CP}		200		200	ns
15	$\overline{\text{CS}}$ Low pulse width (PSRAM mode)	t _{CE}	3.0x – 70		230		ns
16	$\overline{\text{CS}}$ fall → D0 to 15 input (PSRAM mode)	t _{CEA}		3.0x – 160		140	ns
17	Address setup time (PSRAM mode)	t _{PASC}	0.5x – 30		20		ns
18	$\overline{\text{CS}}$ precharge time (PSRAM mode)	t _{PP}	1.0x – 40		60		ns

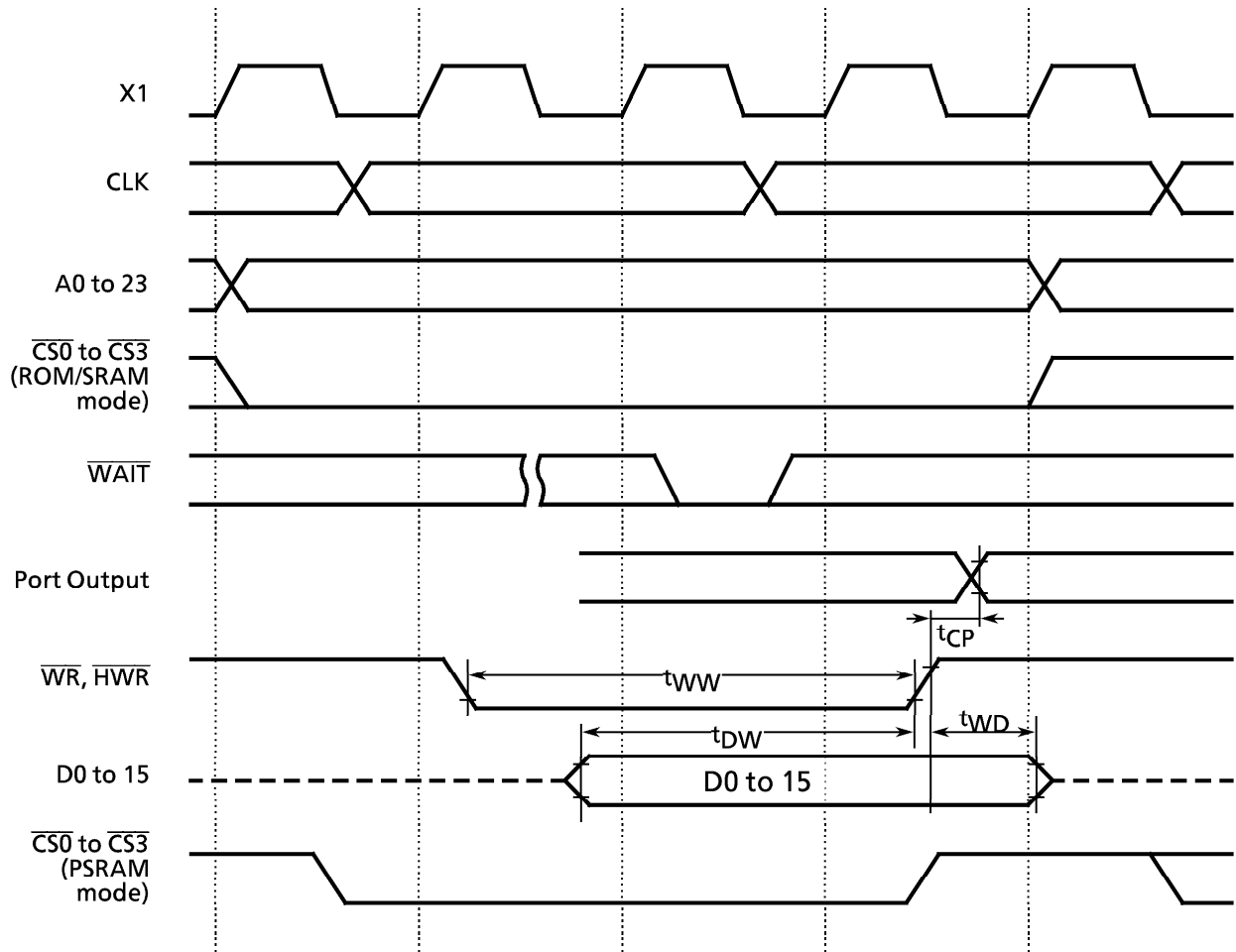
AC measuring conditions

- Output level: High 0.7x V_{CC} / Low 0.3x V_{CC}, CL = 50 pF
- Input level: High 0.9x V_{CC} / Low 0.1x V_{CC}

(3) Read Cycle



(4) Write Cycle



4.4 Serial Channel Timing

(1) I/O interface mode

① SCLK input mode

V_{CC} = +5 V ± 10%, T_a = -20 to +70°C (f_c = 8 to 25 MHz)
 V_{CC} = +3 V ± 10%, T_a = -20 to +70°C (f_c = 4 to 10 MHz)

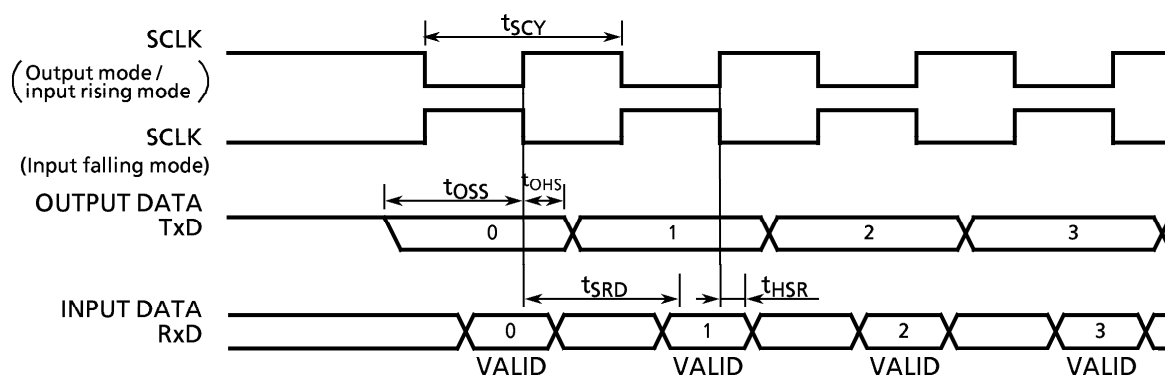
Parameter	Symbol	Formula		10 MHz		25 MHz		Unit
		Min	Max	Min	Max	Min	Max	
SCLK cycle	t _{SCY}	16x		1.6		0.64		μs
Output Data → SCLK rise/fall*	t _{OSS}	t _{SCY} /2 - 5x - 50		250		70		ns
SCLK rise/fall* → Output Data hold	t _{OHS}	5x - 100		400		100		ns
SCLK rise/fall* → input data hold	t _{HSR}	0		0		0		ns
SCLK rise/fall* → valid data input	t _{SRD}		t _{SCY} - 5x - 100		1000		340	ns

*) SCLK rise/fall: In SCLK rising edge mode, SCLK rising edge timing; in SCLK falling edge mode, SCLK falling edge timing

② SCLK output mode

V_{CC} = +5 V ± 10%, T_a = -20 to +70°C (f_c = 8 to 25 MHz)
 V_{CC} = +3 V ± 10%, T_a = -20 to +70°C (f_c = 4 to 10 MHz)

Parameter	Symbol	Formula		10 MHz		25 MHz		Unit
		Min	Max	Min	Max	Min	Max	
SCLK cycle (programmable)	t _{SCY}	16x	8192x	1.6	819.2	0.64	327.6	μs
Output Data → SCLK rising edge	t _{OSS}	t _{SCY} - 2x - 150		1250		410		ns
SCLK rising edge → Output Data hold	t _{OHS}	2x - 80		120		0		ns
SCLK rising edge → Input Data hold	t _{HSR}	0		0		0		ns
SCLK rising edge → valid data input	t _{SRD}		t _{SCY} - 2x - 150		1250		410	ns



(2) UART Mode (SCLK0 to 2 External Input)

V_{CC} = +5 V ± 10%, T_a = -20 to +70°C (f_c = 8 to 25 MHz)
 V_{CC} = +3 V ± 10%, T_a = -20 to +70°C (f_c = 4 to 10 MHz)

Parameter	Symbol	Formula		10 MHz		25 MHz		Unit
		Min	Max	Min	Max	Min	Max	
SCLK cycle	t _{SCY}	4x + 20		420		180		ns
Low-level SCLK pulse width	t _{SCYL}	2x + 5		205		85		ns
High-level SCLK pulse width	t _{SCYH}	2x + 5		205		85		ns

4.5 A/D Conversion Characteristics

$V_{CC} = +5\text{ V} \pm 10\%$, $T_a = -20$ to $+70^\circ\text{C}$ ($f_c = 8$ to 25 MHz)
 $V_{CC} = +3\text{ V} \pm 10\%$, $T_a = -20$ to $+70^\circ\text{C}$ ($f_c = 4$ to 10 MHz)

Parameter		Symbol	Test Conditions	Min	Typ.	Max	Unit
A/D analog reference supply voltage (+)		V_{REFH}		$V_{CC} - 0.2$		V_{CC}	V
A/D analog reference supply voltage (-)		V_{REFL}		V_{SS}		$V_{SS} + 0.2$	
Analog reference voltage		AV_{CC}		$V_{CC} - 0.2$		V_{CC}	
Analog reference voltage		AV_{SS}		V_{SS}		$V_{SS} + 0.2$	
Analog input voltage		V_{AIN}		V_{REFL}		V_{REFH}	
Analog reference voltage supply current	$\langle V_{REFON} \rangle = 1$	I_{REF}	$V_{CC} = 5\text{ V} \pm 10\%$			3.7	mA
			$V_{CC} = 3\text{ V} \pm 10\%$			2.2	
	$\langle V_{REFON} \rangle = 0$		$V_{CC} = 2.7$ to 5.5 V		0.02	5.0	μA
Total tolerance (excludes quantization error)		E_T	$V_{CC} = 5\text{ V} \pm 10\%$		± 1	± 3	LSB
			$V_{CC} = 3\text{ V} \pm 10\%$		± 1	± 3	

Note 1: $1\text{LSB} = (V_{REFH} - V_{REFL}) / 2^{10}$ [V]

Note 2: Power supply current I_{CC} from the VCC pin includes the power supply current from the AVCC pin.

4.6 D/A Conversion Characteristics

$V_{CC} = +5\text{ V} \pm 10\%$, $T_a = -20$ to $+70^\circ\text{C}$ ($f_c = 8$ to 25 MHz)
 $V_{CC} = +3\text{ V} \pm 10\%$, $T_a = -20$ to $+70^\circ\text{C}$ ($f_c = 4$ to 10 MHz)

Parameter	Symbol	Condition	Min	Typ.	Max	Unit
Analog reference voltage	AV_{CC}		$V_{CC} - 0.2$		V_{CC}	V
Analog reference voltage	AV_{SS}		V_{SS}		$V_{SS} + 0.2$	
Total tolerance		$R = 1\text{ M}\Omega$ (Note)			7.0	LSB
		$R = 5\text{ M}\Omega$ (Note)			4.0	LSB
		$R = 10\text{ M}\Omega$ (Note)			3.5	LSB
Differential linear error				2.0		LSB

Note: R is the external load resistance on the D/A converter output pin (DAOUT0, DAOUT1).

4.7 Event Counter (External Input Clocks: T10, T14, T18, T19, T1A, T1B)

$V_{CC} = +5\text{ V} \pm 10\%$, $T_a = -20$ to $+70^\circ\text{C}$ ($f_c = 8$ to 25 MHz)
 $V_{CC} = +3\text{ V} \pm 10\%$, $T_a = -20$ to $+70^\circ\text{C}$ ($f_c = 4$ to 10 MHz)

Parameter	Symbol	Calculator		10 MHz		25 MHz		Unit
		Min	Max	Min	Max	Min	Max	
External input clock cycle	t_{VCK}	$8x + 100$		900		420		ns
External low-level input clock pulse width	t_{VCKL}	$4x + 40$		440		200		ns
External high-level input clock pulse width	t_{VCKH}	$4x + 40$		440		200		ns

4.8 Interrupt Operation

$V_{CC} = +5\text{ V} \pm 10\%$, $T_a = -20\text{ to } +70^\circ\text{C}$ ($f_c = 8\text{ to } 25\text{ MHz}$)
 $V_{CC} = +3\text{ V} \pm 10\%$, $T_a = -20\text{ to } +70^\circ\text{C}$ ($f_c = 4\text{ to } 10\text{ MHz}$)

Parameter	Symbol	Calculator		10 MHz		25 MHz		Unit
		Min	Max	Min	Max	Min	Max	
$\overline{\text{NMI}}$, INT0 to 4 low-level pulse width	t_{INTAL}	4x		400		160		ns
$\overline{\text{NMI}}$, INT0 to 4 high-level pulse width	t_{INTAH}	4x		400		160		ns
INT5 to INT8 low-level pulse width	t_{INTBL}	$8x + 100$		900		420		ns
INT5 to INT8 high-level pulse width	t_{INTBH}	$8x + 100$		900		420		ns

4.9 A/D External Start

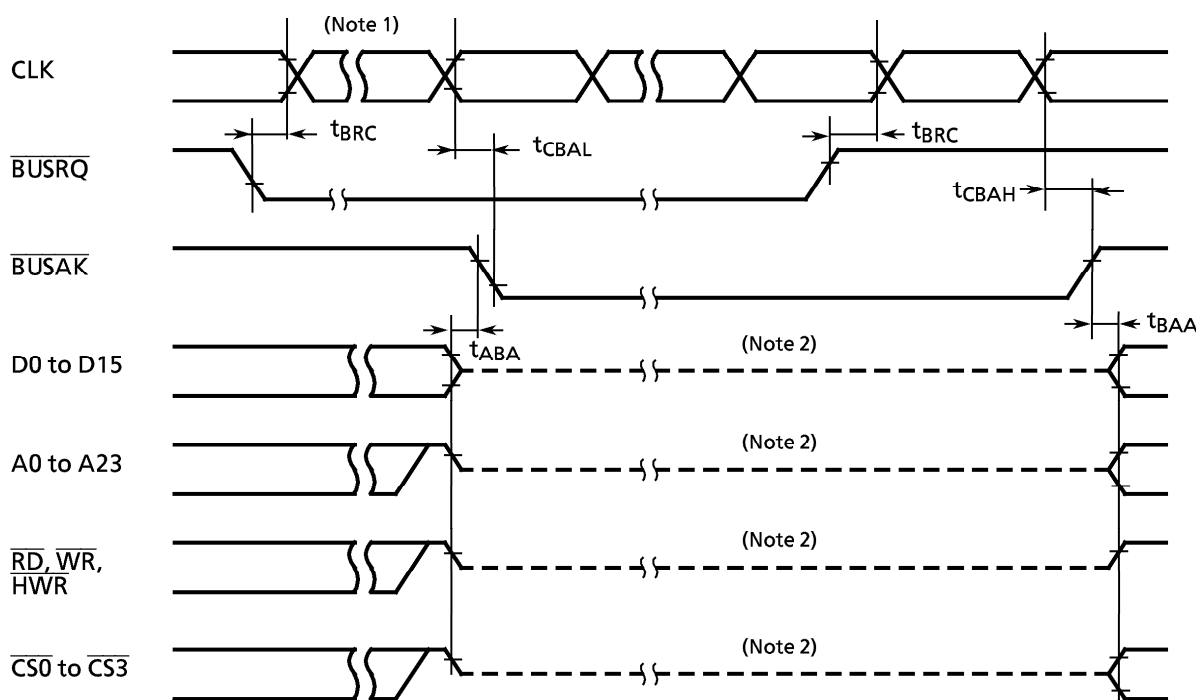
$V_{CC} = +5\text{ V} \pm 10\%$, $T_a = -20\text{ to } +70^\circ\text{C}$ ($f_c = 8\text{ to } 25\text{ MHz}$)
 $V_{CC} = +3\text{ V} \pm 10\%$, $T_a = -20\text{ to } +70^\circ\text{C}$ ($f_c = 4\text{ to } 10\text{ MHz}$)

Parameter	Symbol	Calculator		10 MHz		25 MHz		Unit
		Min	Max	Min	Max	Min	Max	
ADTRG low-level pulse width	t_{ADTG}	4x		400		160		ns

4.10 Bus Request/Bus Acknowledge Timing

V_{CC} = + 5 V ± 10%, T_a = - 20 to + 70°C (f_c = 8 to 25 MHz)
 V_{CC} = + 3 V ± 10%, T_a = - 20 to + 70°C (f_c = 4 to 10 MHz)

Parameter	Symbol	Calculator		10 MHz		25 MHz		Unit
		Min	Max	Min	Max	Min	Max	
BUSRQ setup time for CLK	t _{BRC}	120		120		120		ns
CLK → BUSAK fall	t _{CBAL}		2.0x + 120		320		200	ns
CLK → BUSAK rise	t _{CBAH}		0.5x + 40		90		60	ns
Time from output buffer off until BUSAK falling edge	t _{ABA}	0	80	0	80	0	80	ns
Time from BUSAK rising edge until output buffer on	t _{BAA}	0	80	0	80	0	80	ns



Note 1: When $\overline{\text{BUSRQ}}$ goes to low level to request bus release, if the current bus cycle is yet complete due to a wait, the bus is not released until the wait completes.

Note 2: The dotted line indicates only that the output buffer is off, not that the signal is at middle level. Immediately after bus release, the signal level prior to the bus release is held dynamically by the external load capacitance. Therefore, designs should allow for the fact that when using an external resistor or similar to fix the signal level while the bus is released, after bus release a delay occurs before the signal goes to its fixed level (due to the CR time constant). The internal programmable pull-up resistor continues to function in accordance with the internal signal level.