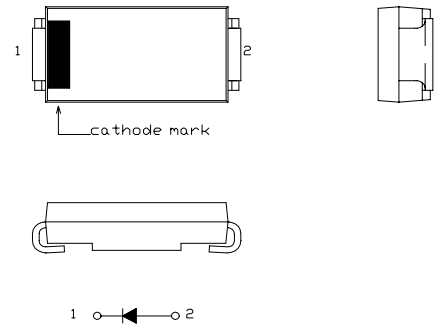


SBD Type : NSH03A10

FEATURES

- * **FLAT-PAK** Surface Mounting Device
- * Low Forward Voltage Drop
- * Low Power Loss, High Efficiency
- * High Surge Capability
- * Packaged in 16mm Tape and Reel
- * Not Rolling During Assembly

OUTLINE DRAWING



Maximum Ratings

Approx Net Weight: 0.16g

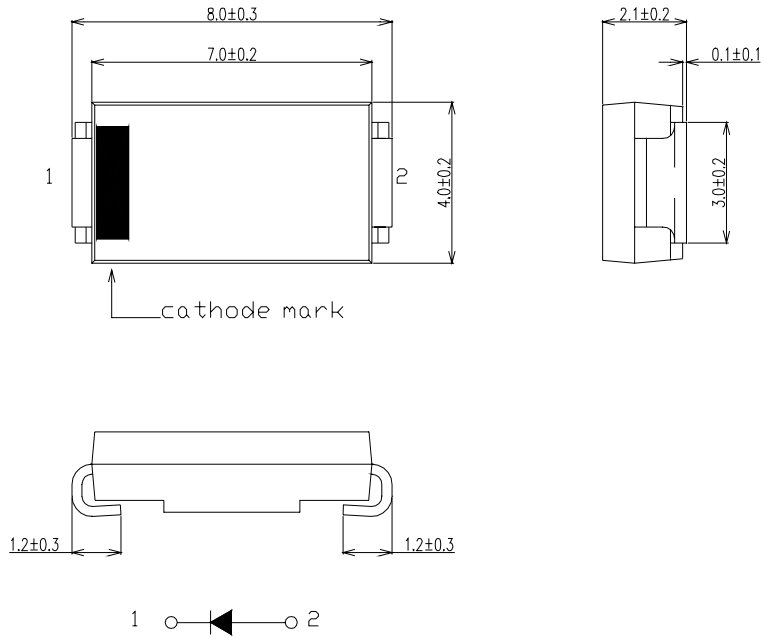
Rating	Symbol	NSH03A10			Unit
Repetitive Peak Reverse Voltage	V_{RRM}	100			V
Average Rectified Output Current	I_o	1.5	$T_a=25^{\circ}\text{C}$ *1	50Hz Half Sine	A
		3.0	$T_l=112^{\circ}\text{C}$	Wave Resistive Load	
RMS Forward Current	$I_{F(RMS)}$	4.71			A
Surge Forward Current	I_{FSM}	60	50Hz Half Sine Wave, 1cycle Non-repetitive		A
Operating Junction Temperature Range	T_{jw}	-40 to +150			$^{\circ}\text{C}$
Storage Temperature Range	T_{stg}	-40 to +150			$^{\circ}\text{C}$

Electrical • Thermal Characteristics

Characteristics		Symbol	Conditions	Min.	Typ.	Max.	Unit
Peak Reverse Current		I_{RM}	$T_j = 25^{\circ}\text{C}$, $V_{RM} = V_{RRM}$	-	-	1	mA
Peak Forward Voltage		V_{FM}	$T_j = 25^{\circ}\text{C}$, $I_{FM} = 3.0\text{A}$	-	-	0.85	V
Thermal Resistance	Junction to Ambient	$R_{th(j-a)}$	Alumina Substrate Mounted *1	-	-	89	$^{\circ}\text{C}/\text{W}$
	Junction to Lead	$R_{th(j-l)}$	-	-	-	13	

*1 Alumina Substrate Mounted (Soldering Lands=2x3.5mm, Both Sides)
(T_l : Lead Temperature)

NSH03A10 OUTLINE DRAWING (Dimensions in mm)



SOLDERING PAD

