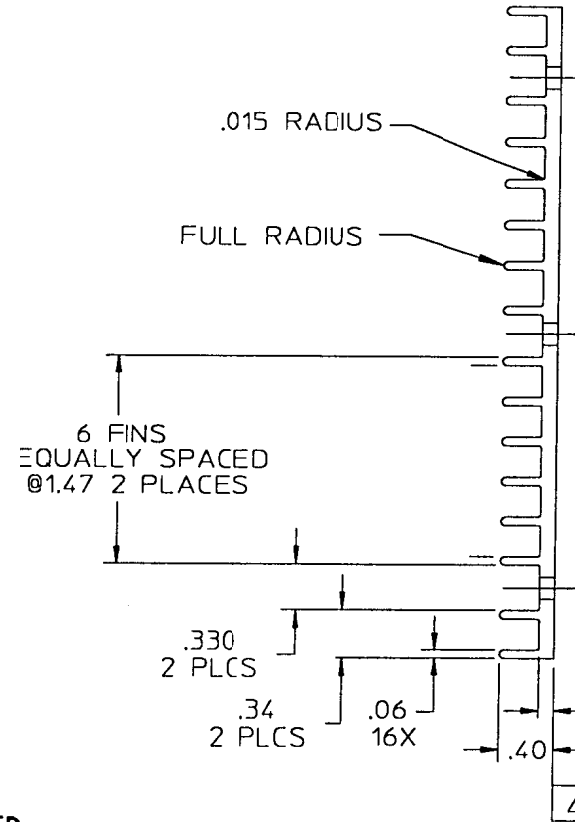
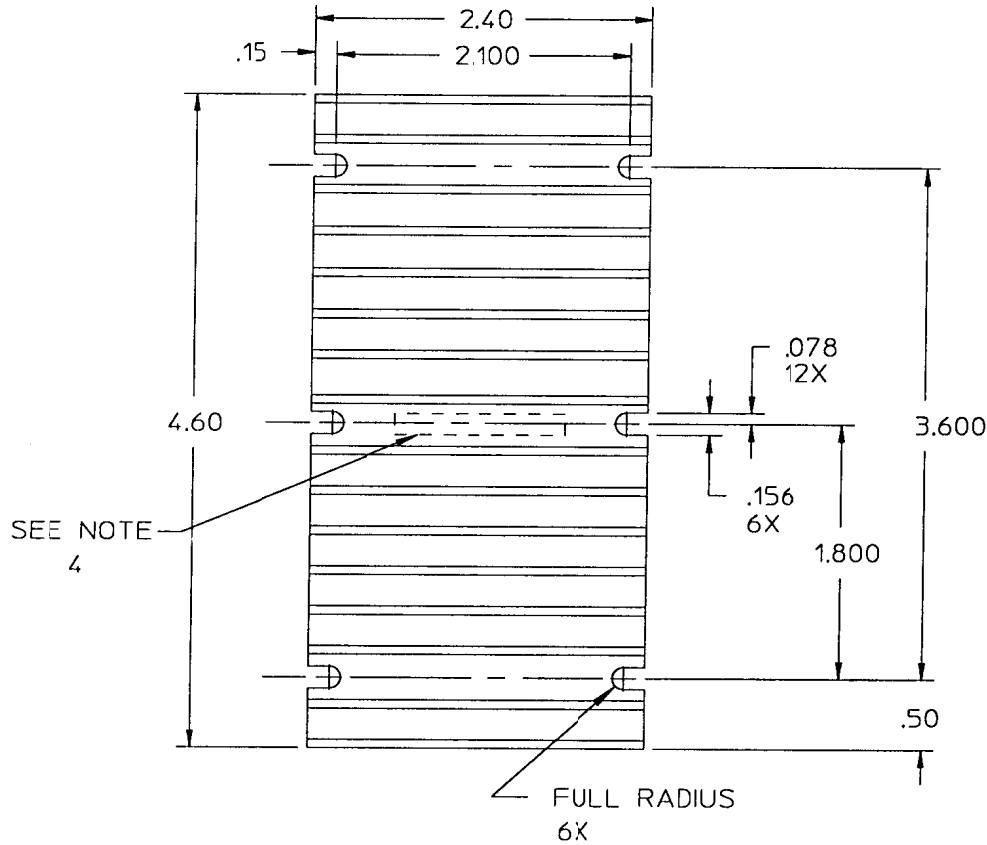


**VICOR CONFIDENTIAL**

THIS DOCUMENT AND THE DATA DISCLOSED  
HEREIN OR HEREWITH IS NOT TO BE REPRODUCED,  
USED, OR DISCLOSED IN WHOLE OR IN PART  
TO ANYONE WITHOUT PERMISSION OF VICOR CORP.

REV.	DESCRIPTION
03	REVSD PER E950284
04	REVSD PER E970447

	DATE	APPROVED
RCM	5/4/95	DPK
LN	10/20/97	RCM



**COPY**

NOTES:

1. MATERIAL: 6063-T5 ALUMINUM
2. REMOVE BURRS & SHARP EDGES
3. FINISH: CLEAR CHROMATE.
4. MECHANICALLY STAMP PART NUMBER AND REVISION IN AREA SHOWN

ORIGINAL  
ONLY WHEN STAMPED  
IN RED

FREE CONVECTION	3.6
200 L FM	2.0
600 L FM	0.96

DRAWN BY <b>RCM</b>	DATE <b>5/4/95</b>
UNLESS OTHERWISE SPECIFIED DIMENSIONS ARE IN INCHES- TOLERANCES ARE: FRACTIONS DECIMALS ANGLES 1/64 .XX+ .01 °' .XXX+.005	
THIRD ANGLE PROJECTION 	SIZE <b>B</b>
DO NOT SCALE DRAWING	FSCM NO. <b>67131</b>
	DW <b>HE. .40 F</b>
SCALE FULL	

±0.10

105

**OR**

**INK,  
VERT**

**02112**

REV  
**04**

SHEET 1 OF 1