

Inrush Current Limiter HIC, P/N : MHIC-48100A



APPLICATION

- Inrush Current Limiter HIC
- For DC/DC Converter (MDC4805)

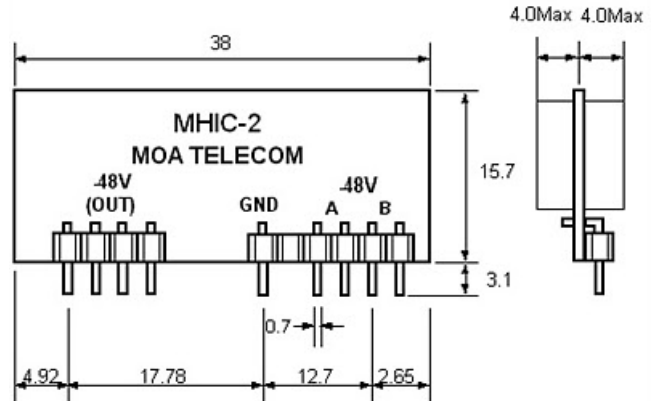
FEATURES

- Compact Size
- Hybrid Implementation
- Inrush Current Controlled During a Given Delay
- Over-current Controlled
at a Separate Level to Inrush Current
- Low Price

SPECIFICATIONS

- Input Voltage : -48VDC
- Input Voltage range : -36VDC ~ -72VDC
- Inrush Current : 8.1A max. @ -48VDC
10.8A max. @ -72VDC
- Turn On Delay Time : 15msec.
- Input Idling Current : 0.005A max.
- Input Idling Power : 0.375W max.
- Input/Output Voltage Drop
 - 35.0VDC ~ -36.0VDC @Input -36VDC
 - 47.0VDC ~ -48.0VDC @Input -48VDC
 - 74.0VDC ~ -75.0VDC @Input -72VDC
- Operating Temperature : -20°C ~ +70°C
- Storage Temperature : -40°C ~ +125°C
- Operating Humidity : 10% ~ 90%
- Storage Humidity : 10% ~ 90%

OUTLINE DRAWING



SCHEMATIC

