



VT82C686B

“Super South” South Bridge

PSIPC

PCI Super-I/O Integrated Peripheral Controller

**PC99 COMPLIANT PCI-TO-ISA BRIDGE
WITH INTEGRATED SUPER-I/O (FDC, LPT, COM1/2, AND IR),
INTEGRATED SOUNDBLASTER/DIRECTSOUND AC97 AUDIO,
ULTRADMA-33/66/100 MASTER MODE PCI-EIDE CONTROLLER,
USB CONTROLLER, KEYBOARD CONTROLLER, RTC,
DISTRIBUTED DMA, SERIAL IRQ, PLUG AND PLAY,
ACPI, ENHANCED POWER MANAGEMENT, SMBUS, AND
TEMPERATURE, VOLTAGE, AND FAN-SPEED MONITORING**

Revision 1.71
June 9, 2000

VIA TECHNOLOGIES, INC.

Copyright Notice:

Copyright © 2000 VIA Technologies Incorporated. Printed in the United States. ALL RIGHTS RESERVED.

No part of this document may be reproduced, transmitted, transcribed, stored in a retrieval system, or translated into any language, in any form or by any means, electronic, mechanical, magnetic, optical, chemical, manual or otherwise without the prior written permission of VIA Technologies Incorporated.

VT82C686A, VT82C686B and Super South may only be used to identify products of VIA Technologies, Inc.



ia is a registered trademark of VIA Technologies, Incorporated.

PS/2™ is a registered trademark of International Business Machines Corp.

Pentium™, Pentium-Pro™, Pentium-II™, Pentium-III™, Celeron™, and GTL+™ are registered trademarks of Intel Corp.

Windows 95™, Windows 98™, Windows NT™, and Plug and Play™ are registered trademarks of Microsoft Corp.

PCI™ is a registered trademark of the PCI Special Interest Group.

All trademarks are the properties of their respective owners.

Disclaimer Notice:

No license is granted, implied or otherwise, under any patent or patent rights of VIA Technologies. VIA Technologies makes no warranties, implied or otherwise, in regard to this document and to the products described in this document. The information provided by this document is believed to be accurate and reliable to the publication date of this document. However, VIA Technologies assumes no responsibility for any errors in this document. Furthermore, VIA Technologies assumes no responsibility for the use or misuse of the information in this document and for any patent infringements that may arise from the use of this document. The information and product specifications within this document are subject to change at any time, without notice and without obligation to notify any person of such change.

Offices:

USA Office:

1045 Mission Court

Fremont, CA 94539

USA

Tel: (510) 683-3300

Fax: (510) 683-3301

Taipei Office:

8th Floor, No. 533

Chung-Cheng Road, Hsin-Tien

Taipei, Taiwan ROC

Tel: (886-2) 218-5452

Fax: (886-2) 218-5453

Online Services:

Home Page: <http://www.via.com.tw> –or- <http://www.viatech.com>

FTP Server: <ftp.via.com.tw>

BBS: 886-2-2185208

REVISION HISTORY

Document Release	Date	Revision	Initials
Revision 1.6	5/22/00	Initial release based on 82C686A Data Sheet revision 1.6 “CD/CE” info and “CD-CG” silicon revision comments removed Added Function 0 Rx8 Revision ID of “2x” for 686B	DH
Revision 1.7	6/8/00	Added UDMA100 support to title, feature bullets, and overview Removed external APIC support, added IRQ0 input & internal THRM# output Updated pin descriptions: MCCA# (U5/U8 select), GPI3, GPI10, GPI11, GPO6, GPO10, GPO11, GPO21, GPIOC, GPIOD, CHAS, ATEST, THRM, LID Updated bit descriptions F0 Rx8,41[6],59,74[7],75[6],76[4-3],77[4],85[7-6] Updated bit descriptions F1 Rx41[3-0],42,44[4,2],45[4,1-0],46[5-0],4E-4F, 53-50[28,26-24,20-19,12,4-3],54[5,1,0],70[1-0],74-5,78[1-0],7C-D,C0-7 Updated bit descriptions F2/3 Rx43 Updated bit descriptions F4 Rx41[1], 4D[3], 55[2], 57[0], D2[2] Updated bit descriptions ACPI I/O Rx5-4[8], Updated bit descriptions SMBus I/O Rx Updated bit descriptions F5 Rx	DH
Revision 1.71	6/9/00	Changed Audio / Game / MIDI ports to dedicated pins (SDD removed) Strap description removed from SPKR pin	DH

TABLE OF CONTENTS

PC99 COMPLIANT PCI-TO-ISA BRIDGE	I
TEMPERATURE, VOLTAGE, AND FAN-SPEED MONITORING.....	I
REVISION HISTORY	I
TABLE OF CONTENTS	II
LIST OF FIGURES.....	IV
LIST OF TABLES	IV
OVERVIEW	4
PINOUTS.....	6
PIN DIAGRAM.....	6
PIN LISTS.....	7
PIN DESCRIPTIONS.....	9
REGISTERS	27
REGISTER OVERVIEW	27
REGISTER DESCRIPTIONS.....	39
Legacy I/O Ports	39
Keyboard Controller Registers	40
DMA Controller I/O Registers	42
Interrupt Controller Registers	43
Timer / Counter Registers	43
CMOS / RTC Registers.....	44
Super-I/O Configuration Index / Data Registers	45
Super-I/O Configuration Registers	45
Super-I/O I/O Ports	48
Floppy Disk Controller Registers.....	48
Parallel Port Registers	49
Serial Port 1 Registers.....	50
Serial Port 2 Registers.....	51
SoundBlaster Pro Port Registers.....	52
FM Registers.....	52
Mixer Registers	52
Sound Processor Registers.....	52
Game Port Registers.....	53
PCI Configuration Space I/O.....	54
Function 0 Registers - PCI to ISA Bridge.....	55
PCI Configuration Space Header	55
ISA Bus Control.....	55
Plug and Play Control	59
Distributed DMA / Serial IRQ Control	61
Miscellaneous / General Purpose I/O.....	62
Function 1 Registers - Enhanced IDE Controller	68
PCI Configuration Space Header	68
IDE-Controller-Specific Configuration Registers	70
IDE I/O Registers.....	74
Function 2 Registers - USB Controller Ports 0-1	75
PCI Configuration Space Header	75
USB-Specific Configuration Registers.....	76
USB I/O Registers.....	77

Function 3 Registers - USB Controller Ports 2-3	78
PCI Configuration Space Header	78
USB-Specific Configuration Registers.....	79
USB I/O Registers.....	80
Function 4 Regs - Power Management, SMBus and HWM.....	81
PCI Configuration Space Header	81
Power Management-Specific PCI Configuration Registers	82
Hardware-Monitor-Specific Configuration Registers	89
System Management Bus-Specific Configuration Registers	89
Power Management I/O-Space Registers	90
System Management Bus I/O-Space Registers.....	99
Hardware Monitor I/O Space Registers	102
Function 5 & 6 Registers - AC97 Audio & Modem Codecs	106
PCI Configuration Space Header – Function 5 Audio	106
PCI Configuration Space Header – Function 6 Modem.....	107
Function 5 & 6 Codec-Specific Configuration Registers.....	108
I/O Base 0 Registers –Audio/Modem Scatter/Gather DMA.....	110
I/O Base 1 Registers – Audio FM NMI Status Registers	114
I/O Base 2 Registers – MIDI / Game Port.....	114
I/O Base 3 Registers – Codec Register Shadow.....	114
Memory Mapped I/O APIC Registers	115
Indexed I/O APIC 32-Bit Registers.....	115
FUNCTIONAL DESCRIPTIONS	117
POWER MANAGEMENT.....	117
Power Management Subsystem Overview	117
Processor Bus States	117
System Suspend States and Power Plane Control	118
General Purpose I/O Ports.....	118
Power Management Events.....	119
System and Processor Resume Events	119
Legacy Power Management Timers	120
System Primary and Secondary Events	120
Peripheral Events	120
ELECTRICAL SPECIFICATIONS.....	121
ABSOLUTE MAXIMUM RATINGS	121
DC CHARACTERISTICS.....	121
PACKAGE MECHANICAL SPECIFICATIONS	122

LIST OF FIGURES

FIGURE 1. PC SYSTEM CONFIGURATION USING THE VT82C686B	5
FIGURE 2. VT82C686B BALL DIAGRAM (TOP VIEW).....	6
FIGURE 3. VT82C686B PIN LIST (<u>NUMERICAL ORDER</u>).....	7
FIGURE 4. VT82C686B PIN LIST (<u>ALPHABETICAL ORDER</u>).....	8
FIGURE 5. STRAP OPTION CIRCUIT.....	60
FIGURE 6. POWER MANAGEMENT SUBSYSTEM BLOCK DIAGRAM	117
FIGURE 8. MECHANICAL SPECIFICATIONS – 352 PIN BALL GRID ARRAY PACKAGE.....	122

LIST OF TABLES

TABLE 1. PIN DESCRIPTIONS.....	9
TABLE 2. SYSTEM I/O MAP	27
TABLE 3. REGISTERS.....	28
TABLE 4. KEYBOARD CONTROLLER COMMAND CODES	41
TABLE 5. CMOS REGISTER SUMMARY.....	44

VT82C686B PSIPC PCI SUPER-I/O INTEGRATED PERIPHERAL CONTROLLER

**PC99 COMPLIANT PCI-TO-ISA BRIDGE
WITH INTEGRATED SUPER-I/O (FDC, LPT, COM1/2, AND IR),
INTEGRATED HARDWARE SOUNDBLASTER/DIRECT SOUND AC97 AUDIO,
ULTRADMA-33/66/100 MASTER MODE PCI-EIDE CONTROLLER,
USB CONTROLLER, KEYBOARD CONTROLLER, RTC,
DISTRIBUTED DMA, SERIAL IRQ, PLUG AND PLAY,
ACPI, ENHANCED POWER MANAGEMENT, SMBUS, AND
TEMPERATURE, VOLTAGE, AND FAN-SPEED MONITORING**

- **Inter-operable with VIA and other Host-to-PCI Bridges**
 - Combine with VT82C598 for a complete Super-7 (66/75/83/100MHz) PCI / AGP / ISA system (Apollo MVP3)
 - Combine with VT8501 for a complete Super-7 system with integrated 2D / 3D graphics (Apollo MVP4)
 - Combine with VT82C693 for a complete 66 / 100 / 133 MHz Socket-370 or Slot-1 system (Apollo Pro133)
 - Combine with VT8601 for a complete 66 / 100 / 133 MHz Socket-370 or Slot-1 system with integrated 2D / 3D graphics (Apollo ProMedia)
 - Inter-operable with Intel or other Host-to-PCI bridges for a complete PC99 compliant PCI / AGP / ISA system
- **PCI to ISA Bridge**
 - Integrated ISA Bus Controller with integrated DMA, timer, and interrupt controller
 - Integrated Keyboard Controller with PS2 mouse support
 - Integrated DS12885-style Real Time Clock with extended 256 byte CMOS RAM and Day/Month Alarm for ACPI
 - Integrated USB Controller with root hub and four function ports
 - Integrated UltraDMA-33/66/100 master mode EIDE controller with enhanced PCI bus commands
 - PCI-2.2 compliant with delay transaction and remote power management
 - Eight double-word line buffer between PCI and ISA bus
 - One level of PCI to ISA post-write buffer
 - Supports type F DMA transfers
 - Distributed DMA support for ISA legacy DMA across the PCI bus
 - Serial interrupt for docking and non-docking applications
 - Fast reset and Gate A20 operation
 - Edge trigger or level sensitive interrupt
 - Flash EPROM, 4Mb EPROM and combined BIOS support
 - Supports positive and subtractive decoding

- **UltraDMA-33 / 66 / 100 Master Mode PCI EIDE Controller**
 - Dual channel master mode PCI supporting four Enhanced IDE devices
 - Transfer rate up to 33MB/sec to cover PIO mode 4, multi-word DMA mode 2 drives, and UltraDMA-33 interface
 - Increased reliability using UltraDMA-66 transfer protocols
 - Increased performance using UltraDMA-100 mode 5
 - Thirty-two levels (doublewords) of prefetch and write buffers
 - Dual DMA engine for concurrent dual channel operation
 - Bus master programming interface for SFF-8038I rev.1.0 and Windows-95 compliant
 - Full scatter gather capability
 - Support ATAPI compliant devices including DVD devices
 - Support PCI native and ATA compatibility modes
 - Complete software driver support

- **Integrated Super IO Controller**
 - Supports 2 serial ports, IR port, parallel port, and floppy disk controller functions
 - Two UARTs for Complete Serial Ports
 - Programmable character lengths (5,6,7,8)
 - Even, odd, stick or no parity bit generation and detection
 - Programmable baud rate generator
 - High speed baud rate (230Kbps, 460Kbps) support
 - Independent transmit/receiver FIFOs
 - Modem Control
 - Plug and play with 96 base IO address and 12 IRQ options
 - Infrared-IrDA (HPSIR) and ASK (Amplitude Shift Keyed) IR port multiplexed on COM2
 - Multi-mode parallel port
 - Standard mode, ECP and EPP support
 - Plug and play with 192 base IO address, 12 IRQ and 4 DMA options
 - Floppy Disk Controller
 - 16 bytes of FIFO
 - Data rates up to 1Mbps
 - Perpendicular recording driver support
 - Two FDDs with drive swap support
 - Plug and play with 48 base IO address, 12 IRQ and 4 DMA options

- **SoundBlaster Pro Hardware and Direct Sound Ready AC97 Digital Audio Controller**
 - Dual full-duplex Direct Sound channels between system memory and AC97 link
 - PCI master interface with scatter / gather and bursting capability
 - 32 byte FIFO of each direct sound channel
 - Host based sample rate converter and mixer
 - Standard v1.0 or v2.0 AC97 Codec interface for single or cascaded AC97 Codec's from multiple vendors
 - Loopback capability for re-directing mixed audio streams into USB and 1394 speakers
 - Hardware SoundBlaster Pro for Windows DOS box and real-mode DOS legacy compatibility
 - Plug and play with 4 IRQ, 4 DMA, and 4 I/O space options for SoundBlaster Pro and MIDI hardware
 - Hardware assisted FM synthesis for legacy compatibility
 - Direct two game ports and one MIDI port interface
 - Complete software driver support for Windows-95/98/2000 and Windows-NT

- **Voltage, Temperature, Fan Speed Monitor and Controller**
 - Five positive voltage (one internal), three temperature (one internal) and two fan-speed monitoring
 - Programmable control, status, monitor and alarm for flexible desktop management
 - External thermister or internal bandgap temperature sensing
 - Automatic clock throttling with integrated temperature sensing
 - Internal core VCC voltage sensing
 - Flexible external voltage sensing arrangement (any positive supply and battery)

- **Universal Serial Bus Controller**
 - USB v.1.1 and Intel Universal HCI v.1.1 compatible
 - Eighteen level (doublewords) data FIFO with full scatter and gather capability
 - Root hub and four function ports
 - Integrated physical layer transceivers with optional over-current detection status on USB inputs
 - Legacy keyboard and PS/2 mouse support
- **System Management Bus Interface**
 - Host interface for processor communications
 - Slave interface for external SMBus masters
- **Sophisticated PC99-Compatible Mobile Power Management**
 - Supports both ACPI (Advanced Configuration and Power Interface) and legacy (APM) power management
 - ACPI v1.0 Compliant
 - APM v1.2 Compliant
 - CPU clock throttling and clock stop control for complete ACPI C0 to C3 state support
 - PCI bus clock run, Power Management Enable (PME) control, and PCI/CPU clock generator stop control
 - Supports multiple system suspend types: power-on suspends with flexible CPU/PCI bus reset options, suspend to DRAM, and suspend to disk (soft-off), all with hardware automatic wake-up
 - Multiple suspend power plane controls and suspend status indicators
 - One idle timer, one peripheral timer and one general purpose timer, plus 24/32-bit ACPI compliant timer
 - Normal, doze, sleep, suspend and conserve modes
 - Global and local device power control
 - System event monitoring with two event classes
 - Primary and secondary interrupt differentiation for individual channels
 - Dedicated input pins for power and sleep buttons, external modem ring indicator, and notebook lid open/close for system wake-up
 - Up to 12 general purpose input ports and 23 output ports
 - Multiple internal and external SMI sources for flexible power management models
 - One programmable chip select and one microcontroller chip select
 - Enhanced integrated real time clock (RTC) with date alarm, month alarm, and century field
 - Thermal alarm on either external or any combination of three internal temperature sensing circuits
 - Hot docking support
 - I/O pad leakage control
- **Plug and Play Controller**
 - PCI interrupts steerable to any interrupt channel
 - Steerable interrupts for integrated peripheral controllers: USB, floppy, serial, parallel, audio, soundblaster, MIDI
 - Steerable DMA channels for integrated floppy, parallel, and soundblaster pro controllers
 - One additional steerable interrupt channel for on-board plug and play devices
 - Microsoft Windows 98™, Windows NT™, Windows 95™ and plug and play BIOS compliant
- **Integrated I/O APIC (Advanced Peripheral Interrupt Controller)**
- **Built-in NAND-tree pin scan test capability**
- **0.35um, 3.3V, low power CMOS process**
- **Single chip 27x27 mm, 352 pin BGA**

OVERVIEW

The VT82C686B PSIPC (PCI Super-I/O Integrated Peripheral Controller) is a high integration, high performance, power-efficient, and high compatibility device that supports Intel and non-Intel based processor to PCI bus bridge functionality to make a complete Microsoft PC99-compliant PCI/ISA system. In addition to complete ISA extension bus functionality, the VT82C686B includes standard intelligent peripheral controllers:

- a) Master mode enhanced IDE controller with dual channel DMA engine and interlaced dual channel commands. Dedicated FIFO coupled with scatter and gather master mode operation allows high performance transfers between PCI and IDE devices. In addition to standard PIO and DMA mode operation, the VT82C686B also supports the UltraDMA-33 standard to allow reliable data transfer rates up to 33MB/sec throughput. The VT82C686B also supports the UltraDMA-66 and UltraDMA-100 (ATA-100) standards. The IDE controller is SFF-8038I v1.0 and Microsoft Windows-family compliant.
- b) Universal Serial Bus controller that is USB v1.1 and Universal HCI v1.1 compliant. The VT82C686B includes the root hub with four function ports with integrated physical layer transceivers. The USB controller allows hot plug and play and isochronous peripherals to be inserted into the system with universal driver support. The controller also implements legacy keyboard and mouse support so that legacy software can run transparently in a non-USB-aware operating system environment.
- c) Keyboard controller with PS2 mouse support.
- d) Real Time Clock with 256 byte extended CMOS. In addition to the standard ISA RTC functionality, the integrated RTC also includes the date alarm, century field, and other enhancements for compatibility with the ACPI standard.
- e) Notebook-class power management functionality compliant with ACPI and legacy APM requirements. Multiple sleep states (power-on suspend, suspend-to-DRAM, and suspend-to-Disk) are supported with hardware automatic wake-up. Additional functionality includes event monitoring, CPU clock throttling and stop (Intel processor protocol), PCI bus clock stop control, modular power, clock and leakage control, hardware-based and software-based event handling, general purpose I/O, chip select and external SMI.
- f) Hardware monitoring subsystem for managing system / motherboard voltage levels, temperatures, and fan speeds
- g) Full System Management Bus (SMBus) interface.
- h) Two 16550-compatible serial I/O ports with infrared communications port option on the second port.
- i) Integrated PCI-mastering dual full-duplex direct-sound AC97-link-compatible sound system. Hardware soundblaster-pro and hardware-assisted FM blocks are included for Windows DOS box and real-mode DOS compatibility. Loopback capability is also implemented for directing mixed audio streams into USB and 1394 speakers for high quality digital audio.
- j) Two game ports and one MIDI port
- k) ECP/EPP-capable parallel port
- l) Standard floppy disk drive interface
- m) Distributed DMA capability for support of ISA legacy DMA over the PCI bus. Serial IRQ is also supported for docking and non-docking applications.
- n) Plug and Play controller that allows complete steerability of all PCI interrupts and internal interrupts / DMA channels to any interrupt channel. One additional steerable interrupt channel is provided to allow plug and play and reconfigurability of on-board peripherals for Windows family compliance.
- o) Internal I/O APIC (Advanced Programmable Interrupt Controller)

The VT82C686B also enhances the functionality of the standard ISA peripherals. The integrated interrupt controller supports both edge and level triggered interrupts channel by channel. The integrated DMA controller supports type F DMA in addition to standard ISA DMA modes. Compliant with the PCI-2.2 specification, the VT82C686B supports delayed transactions and remote power management so that slower ISA peripherals do not block the traffic of the PCI bus. Special circuitry is built in to allow concurrent operation without causing dead lock even in a PCI-to-PCI bridge environment. The chip also includes eight levels (doublewords) of line buffers from the PCI bus to the ISA bus to further enhance overall system performance.

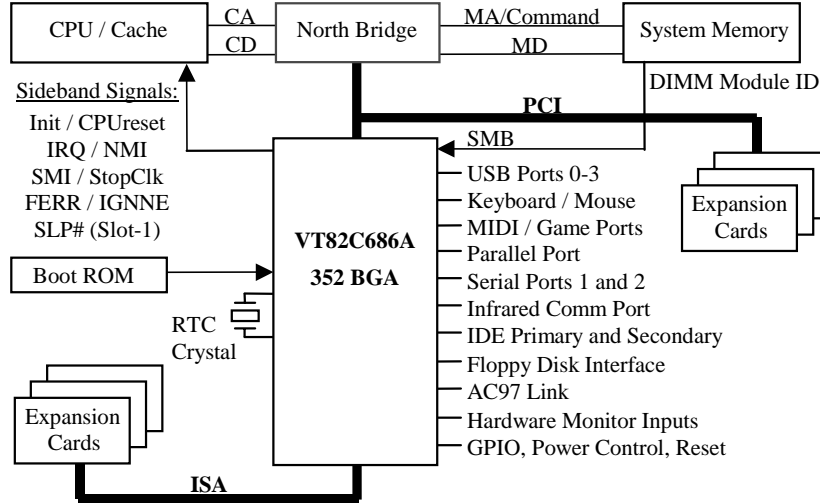


Figure 1. PC System Configuration Using the VT82C686B

PINOUTS

Pin Diagram

Figure 2. VT82C686B Ball Diagram (Top View)

Key	1	2	3	4	5	6	7	8	9	10	11	12	13	14	15	16	17	18	19	20
A	SMEM R#	IOCH RDY	USB PO+	USB P2+	KB DT	WRT PRT#	W DATA#	DS 1#	CTS 2#	DCD 2#	TXD 1	DCD 1#	PD 7	PD 2	ERR#	PIRQ A#	AD 31	AD 28	AD 26	AD 25
B	SMEM W#	AEN	USB PO-	USB P2-	USB P3+	R DATA#	W GATE#	DS 0#	DTR 2#	RXD 2	RTS 1#	RXD 1	ACK# 3	PD 3	PD 0	PCI RST#	PIRQ D#	AD 29	AD 27	AD 24
C	ROM CS#	IO W#	USB CLK	USB P1+	MS DT	DSK CHG#	HD SEL#	MTR 1#	RI 2#	DSR 2#	CTS 1#	DSR 1#	BUSY 4	PD 4	P INIT#	AUTO FD#	PIRQ C#	AD 30	C/BE 3#	ID SEL
D	IO R#	DACK 3#	DRQ 3	USB P1-	MS CK	DRV DEN1	IN DEX#	DIR#	DRV DEN0	TXD 2	DTR 1#	IR RX	PE 5	PD 5	PD 1	STR OBE#	PIRQ B#	AD 23	AD 22	AD 21
E	DACK 1#	DRQ 1	RFSH#	OSC	KB CK	USB P3-	TRK 00#	STEP#	MTR 0#	RTS 2#	RI 1#	IR TX	SLCT 6	PD 6	SLCT IN#	P CLK	AD 20	AD 19	AD 18	AD 17
F	MCS 16#	S BHE#	IOCS 16#	IO CHK#	IRQ 7	GND	VCC	GND U	VCC U	VCC	GND	VCC	VCC	VCC	GND	AD 16	C/BE 2#	FRM#	I RDY#	T RDY#
G	IRQ6 SLPB	IRQ 5	IRQ 4	IRQ 3	DACK 2#	GND	G7	8	9	10	11	12	13	G14	GND	DEV SEL#	STOP#	SERR#	PAR	CBE1#
H	TC	BALE	DRQ2 SIRQ	IRQ 9	B CLK	VCC	H	GND GND GND GND				H	VCC	AD 15	AD 14	AD 13	AD 12	AD 11		
J	RST DRV	LA 23	LA 22	LA 21	LA 20	VCC	J					VCC	AD 10	AD 9	AD 8	C/BE 0#	AD 7			
K	SA 19	SA 18	IRQ 10	IRQ 11	IRQ 15	VCC	K					VCC	AD 6	AD 5	AD 4	AD 3	AD 2			
L	IRQ 14	DACK 0#	DRQ 0	DACK 5#	SD 8	GND	L					VCC	AD 1	AD 0	PREQ#	PGNT#	PD CS1#			
M	DRQ 5	SD 9	DACK 6#	SD 10	DRQ 6	VCC	M	VCC	PD CS3#	PD A0	PD A2	PD A1	PD DACK#							
N	SD 11	DACK 7#	SD 12	DRQ 7	SD 13	VCC	N	VCC	PD RDY	PD IOR#	PD IOW#	PD DRQ	PDD 15							
P	SD 14	SD 15	SA 17	SA 16	SA15 SDD15	GND	P7	8	9	10	11	12	13	P14	GND	PDD 0	PDD 14	PDD 1	PDD 13	PDD 2
R	SA14 SDD14	SA13 SDD13	SA12 SDD12	SA11 SDD11	SA10 SDD10	GND	VCC	VCC	VCC S	VCC S	VCC	VCC H	GND H	VCC	GND	PDD 12	PDD 3	PDD 11	PDD 4	PDD 10
T	SA9 SDD9	SA8 SDD8	SA7 SDD7	SA6 SDD6	XDIR	INIT	SLP#	GPO 0	SMB DATA	SUS CLK	THRM PME#	FAN 1	VREF	GPIO A	SDD10 JAB2	PDD 5	PDD 9	PDD 6	PDD 8	PDD 7
U	SA5 SDD5	SA4 SDD4	SA3 SDD3	MEM R#	SOE#	SMI#	NMI	GPIO D	SMB CLK	LID	BAT LOW#	FAN 2	V SENS1	JBX GPI23	ACRS	JBB2	SD CS1#	SD CS3#	SD A0	SD A2
V	SA2 SDD2	SA1 SDD1	SD 5	MEM W#	SPKR	RSM RST#	FERR#	CPU RST#	SUS A#	SUS ST1#	RING#	PCI STP#	V SENS2	GPIO C	JAX GPO23	SYNC	SDI A1	SD DACK#	SD RDY	
W	SA0 SDD0	SD 2	SD 4	SD 7	RTC X2	PWR GD	STP CLK#	INTR	SUS B#	SMB ALRT#	IRQ8#	PCK RUN#	T SENS1	V SENS3	JBY GPI22	JAB1	JBB1	BTCK	SD IOR#	SD IOW#
Y	SD 0	SD 1	SD 3	SD 6	RTC X1	VBAT	A20 M#	IGN NE#	SUS C#	EXT SMI#	PWR BTN#	CPU STP#	T SENS2	V SENS4	JAY GPO22	SDO	SDI2	MSO	MSI	SD DRQ

Note: Some of the pins above have alternate functions and alternate names. The table above contains only one name (usually the most often used function), but the pin lists and pin descriptions contain all names.

Pin Lists

Figure 3. VT82C686B Pin List (Numerical Order)

Pin	Pin Name	Pin	Pin Name	Pin	Pin Name	Pin	Pin Name	Pin	Pin Name
A01	O SMEMR#	D12	IO IRRX / GPO15	H19	IO AD12	N06	P VCC	U13	I VSENS1 (2.0V)
A02	I IOCHRDY	D13	I PE / WDATA#	H20	IO AD11	N15	P VCC	U14	I JBX / GPI23
A03	IO USBP0+	D14	IO PD5	J01	O RSTDRV	N16	I PDRDY	U15	O ACRST
A04	IO USBP2+	D15	IO PD1 / TRK00#	J02	IO LA23	N17	O PDIOR#	U16	I JBB2
A05	IO KBDT / KBRC	D16	IO STROBE#	J03	IO LA22	N18	O PDIOW#	U17	O SDCS1#
A06	I WRTPRT#	D17	I PIROB#	J04	IO LA21	N19	I PDDRO	U18	O SDCS3#
A07	O WDATA#	D18	IO AD23	J05	IO LA20	N20	IO PDD15	U19	O SDA0
A08	O DS1#	D19	IO AD22	J06	P VCC	P01	IO SD14	U20	O SDA2
A09	I CTS2#	D20	IO AD21	J09	P GND	P02	IO SD15	V01	IO SA02 / SDD2
A10	I DCD2#	E01	O DACK1# / IDEIROB	J10	P GND	P03	IO SA17	V02	IO SA01 / SDD1
A11	O TXD1	E02	I DRQ1	J11	P GND	P04	IO SA16	V03	IO SD05 / KBIN4
A12	I DCD1#	E03	IO RFSH#	J12	P GND	P05	IO SA15 / SDD15	V04	IO MEMW#
A13	IO PD7	E04	I OSC	J15	P VCC	P06	P GND	V05	IO SPKR
A14	IO PD2 / WRTPRT#	E05	IO KBCK/A20GATE	J16	IO AD10	P15	P GND	V06	I RSMRST#
A15	I ERROR#/HDSL#	E06	IO USBP3-	J17	IO AD09	P16	IO PDD00	V07	I FERR#
A16	I PIRQA#	E07	I TRK00#	J18	IO AD08	P17	IO PDD14	V08	OD CPURST
A17	IO AD31	E08	O STEP#	J19	IO CBE0#	P18	IO PDD01	V09	O SUSA# / O1/APD0
A18	IO AD28	E09	O MTR0#	J20	IO AD07	P19	IO PDD13	V10	O SUSST1# / GPO3
A19	IO AD26	E10	O RTS2#	K01	IO SA19	P20	IO PDD02	V11	I RING# / GPI7
A20	IO AD25	E11	I RII#	K02	IO SA18	R01	IO SA14 / SDD14	V12	O PCISTP#/GPO5
B01	O SMEMW#	E12	O IRTX / GPO14	K03	I IRO10	R02	IO SA13 / SDD13	V13	I VSENS2 (2.5V)
B02	O AEN	E13	I SLCT / WGATE#	K04	I IRO11	R03	IO SA12 / SDD12	V14	IO GPIOC(10)/CHAS
B03	IO USBP0-	E14	IO PD6	K05	I IRO15	R04	IO SA11 / SDD11	V15	I JAX / GPO23
B04	IO USBP2-	E15	IO SLCTIN# / STEP#	K06	P VCC	R05	IO SA10 / SDD10	V16	O ACSYNC
B05	IO USBP3+	E16	I PCLK	K09	P GND	R06	P GND	V17	I ACSDI
B06	I RDATA#	E17	IO AD20	K10	P GND	R07	P VCC	V18	O SDA1
B07	O WGATE#	E18	IO AD19	K11	P GND	R08	P VCC	V19	O SDDACK#
B08	O DSO#	E19	IO AD18	K12	P GND	R09	P VCCS	Y20	I SDRDY
B09	O DTR2#	E20	IO AD17	K15	P VCC	R10	P VCCS	W01	IO SA00 / SDD0
B10	I RXD2	F01	I MCS16#	K16	IO AD06	R11	P VCC	W02	IO SD02
B11	O RTS1#	F02	IO SBHE#	K17	IO AD05	R12	P VCC	W03	IO SD04 / KBIN3
B12	I RXD1	F03	I IOCS16#	K18	IO AD04	R13	P GNDH	W04	IO SD07 / KBIN6
B13	I ACK# / DS1#	F04	I IOCHCK# / GPIO	K19	IO AD03	R14	P VCC	W05	O RTCX2
B14	IO PD3 / RDATA#	F05	I IRQ7	K20	IO AD02	R15	P GND	W06	I PWRGD
B15	IO PD0 / INDEXT#	F06	P GND	L01	I IRO14	R16	IO PDD12	W07	OD STPCLK#
B16	O PCIRST#	F07	P VCC	L02	O DACK0#/IA	R17	IO PDD03	W08	OD INTR
B17	I PIRQD#	F08	P GNDU	L03	I DRQ0	R18	IO PDD11	W09	O SUBS# / GPO2
B18	IO AD29	F09	P VCCU	L04	O DACK5#/MI	R19	IO PDD04	W10	I SMBALRT#/GPI6
B19	IO AD27	F10	P VCC	L05	IO SD08	R20	IO PDD10	W11	I IRQ8#/GPI1
B20	IO AD24	F11	P GND	L06	P GND	T01	IO SA09 / SDD9	W12	IO PCKRUN#
C01	I ROMCS#/KBSCS#	F12	P VCC	L09	P GND	T02	IO SA08 / SDD8	W13	I TSSENS1
C02	IO IOW#	F13	P VCC	L10	P GND	T03	IO SA07 / SDD7	W14	I VSENS3 (5V)
C03	I USBCLK	F14	P VCC	L11	P GND	T04	IO SA06 / SDD6	W15	I JBY / GPI22
C04	IO USBP1+	F15	P GND	L12	P GND	T05	O XDIR/O12/PCS0#	W16	I JAB1
C05	IO MSDT / IRQ12	F16	IO AD16	L15	P GND	T06	OD INIT	W17	I JBB1
C06	I DSKCHG#	F17	IO CBE2#	L16	IO AD01	T07	OD SLP# / GPO7	W18	I ACBTCK
C07	O HDSEL#	F18	IO FRAME#	L17	IO AD00	T08	O GPO0 / SLOWCLK	W19	O SDIOR#
C08	O MTR1#	F19	IO IRDY#	L18	O PREQ#	T09	IO SMBDATA	W20	O SDIOW#
C09	I RI2#	F20	IO TRDY#	L19	I PGNT#	T10	O SUSCLK / APICD1	Y01	IO SD00
C10	I DSR2#	G01	I IRO6/14/SLPBTN#	L20	O PDCS1#	T11	I THRM / PME# / GIS	Y02	IO SD01
C11	I CTS1#	G02	I IRO5	M01	I DRQ5	T12	I FAN1	Y03	IO SD03
C12	I DSR1#	G03	I IRQ4	M02	IO SD09	T13	P VREF	Y04	IO SD06 / KBIN5
C13	I BUSY / MTR1#	G04	I IRQ3	M03	O DACK6#/UA	T14	IO GPIOA/8/GPOWE#	Y05	I RTCX1
C14	IO PD4 / DSKCHG#	G05	O DACK2#/I13/O25/OC0#	M04	IO SD10	T15	I JAB2	Y06	P VBAT
C15	IO PINIT# / DIR#	G06	P GND	M05	I DRQ6	T16	IO PDD05	Y07	OD A20M#
C16	IO AUTOFD#/DRV0	G15	P GND	M06	P VCC	T17	IO PDD09	Y08	OD IGNNE#
C17	I PIRQC#	G16	IO DEVSEL#	M09	P GND	T18	IO PDD06	Y09	O SUSC#
C18	IO AD30	G17	IO STOP#	M10	P GND	T19	IO PDD08	Y10	IOD EXTSMI#
C19	IO CBE3#	G18	I SERR#	M11	P GND	T20	IO PDD07	Y11	I PWRBTN#
C20	I IDSEL	G19	IO PAR	M12	P GND	U01	IO SA05 / SDD5	Y12	O CPUTP#/GPO4
D01	IO IOR#	G20	IO CBE1#	M15	P VCC	U02	IO SA04 / SDD4	Y13	I TSSENS2
D02	O DACK3#/ACIRO	H01	O TC	M16	O PDCS3#	U03	IO SA03 / SDD3	Y14	I VSENS4 (12V)
D03	I DRQ3	H02	O BALE	M17	O PDA0	U04	IO MEMR#	Y15	I JAY / GPO22
D04	IO USBP1-	H03	I DRQ2/I12/O24/SQ/OC1	M18	O PDA2	U05	O SOE#/O13/MCCS#	Y16	O ACSDO
D05	IO MSCK / IRQ1	H04	I IRQ9	M19	O PDA1	U06	OD SMI#	Y17	I ACSDI2
D06	O DRVDEN1	H05	O BCLK	M20	O PDDACK#	U07	OD NMI	Y18	O MSO
D07	I INDEXT#	H06	P VCC	N01	IO SD11	U08	IO GPIOD/SO#/MCCS#	Y19	I MSI
D08	O DIR#	H15	P VCC	N02	O DACK7#/UB	U09	IO SMBCLK	Y20	I SDDRO
D09	O DRVDEN0	H16	IO AD15	N03	IO SD12	U10	I LID / GPI3 / WSC#		
D10	O TXD2	H17	IO AD14	N04	I DRQ7	U11	I BATLOW#/GPI2		
D11	O DTR1#	H18	IO AD13	N05	IO SD13	U12	IO FAN2/GPIOB(9)		

Figure 4. VT82C686B Pin List (Alphabetical Order)

Pin	Pin Name	Pin	Pin Name	Pin	Pin Name	Pin	Pin Name	Pin	Pin Name
Y07	OD A20M#	N04	I DRO7	K05	I IRO15	A16	I PIROA#	T07	OD SLP# / GPO7
B13	I ACK# / DS1#	D09	O DRVDE#	D12	IO IRRX / GPO15	D17	I PIROB#	W10	I SMBALRT# / GPI6
W18	I ACBTCK	D06	O DRVDE#	E12	O IRTX / GPO14	C17	I PIROC#	U09	IO SMBCLK
U15	O ACRST	B08	O DS0#	W16	I JAB1	B17	I PIROD#	T09	IO SMBDATA
V17	I ACSDI	A08	O DS1#	T15	I JAB2	L18	O PREQ#	A01	O SMEMR#
Y17	I ACSDI2	C06	I DSKCHG#	V15	I JAX / GPO23	Y11	I PWRBTN#	B01	O SMEMW#
Y16	O ACSDO	C12	I DSR1#	Y15	I JAY / GPO22	W06	I PWRGD	U06	OD SMI#
V16	O ACSYNC	C10	I DSR2#	W17	I JBB1	B06	I RDATA#	U05	O SOE# / GPO13 / MCCS#
L17	IO AD00	D11	O DTR1#	U16	I JBB2	E03	IO RDATA#	V05	IO SPKR
L16	IO AD01	B09	O DTR2#	U14	I JBX / GPI23	E11	I R11#	E08	O STEP#
K20	IO AD02	A15	I ERROR# / HDSEL#	W15	I JBY / GPI22	C09	I R12#	G17	IO STOP#
K19	IO AD03	Y10	IOD EXTSMI#	E05	IO KBCK / A20G	V11	I RING# / GPI7	W07	OD STPLCK#
K18	IO AD04	T12	I FAN1	A05	IO KBDT / KBRC	C01	O ROMCS# / KBCS#	D16	IO STROBE#
K17	IO AD05	U12	IO FAN2 / GPIOB(9)	J05	IO LA20	V06	I RSMRST#	V09	O SUSACLK / O1 / APICD0
K16	IO AD06	V07	I FERR#	J04	IO LA21	J01	O RSTDRV	W09	O SUBS# / GPO2
J20	IO AD07	F18	IO FRAME#	J03	IO LA22	Y05	I RTCX1	Y09	O SUSC#
J18	IO AD08	F06	P GND	J02	IO LA23	W05	O RTCX2	T10	O SUSCLK / APICD1
J17	IO AD09	F11	P GND	U10	I LID / GPI3 / WSC#	B11	O RTS1#	V10	O SUSST1# / GPO3
J16	IO AD10	F15	P GND	F01	I MCS16#	E10	O RTS2#	H01	O TC
H20	IO AD11	G06	P GND	U04	IO MEMR#	B12	I RXD1	T11	I THRM / PME# / GI5
H19	IO AD12	G15	P GND	V04	IO MEMW#	B10	I RXD2	F20	IO TRDY#
H18	IO AD13	J09	P GND	D05	IO MSCK / IRO1	W01	IO SA00 / SDD0	E07	I TRK00#
H17	IO AD14	J10	P GND	C05	IO MSDT / IRO12	V02	IO SA01 / SDD1	W13	I TSENS1
H16	IO AD15	J11	P GND	Y19	I MSI	V01	IO SA02 / SDD2	Y13	I TSENS2
F16	IO AD16	J12	P GND	Y18	I MSO	U03	IO SA03 / SDD3	A11	O TXD1
E20	IO AD17	K09	P GND	E09	O MTR0#	U02	IO SA04 / SDD4	D10	O TXD2
E19	IO AD18	K10	P GND	C08	O MTR1#	U01	IO SA05 / SDD5	C03	I USBCLK
E18	IO AD19	K11	P GND	U07	OD NMI	T04	IO SA06 / SDD6	B03	IO USBP0-
E17	IO AD20	K12	P GND	E04	I OSC	T03	IO SA07 / SDD7	A03	IO USBP0+
D20	IO AD21	L06	P GND	G19	IO PAR	T02	IO SA08 / SDD8	D04	IO USBP1-
D19	IO AD22	L09	P GND	W12	IO PCRUN#	T01	IO SA09 / SDD9	C04	IO USBP1+
D18	IO AD23	L10	P GND	E16	I PCLK	R05	IO SA10 / SDD10	B04	IO USBP2-
B20	IO AD24	L11	P GND	B16	O PCIRST#	R04	IO SA11 / SDD11	A04	IO USBP2+
A20	IO AD25	L12	P GND	V12	O PCISTP# / GPO5	R03	IO SA12 / SDD12	E06	IO USBP3-
A19	IO AD26	L15	P GND	B15	IO PD0 / INDEX#	R02	IO SA13 / SDD13	B05	IO USBP3+
B19	IO AD27	M09	P GND	D15	IO PD1 / TRK00#	R01	IO SA14 / SDD14	Y06	P VBAT
A18	IO AD28	M10	P GND	A14	IO PD2 / WRTPT#	P05	IO SA15 / SDD15	F07	P VCC
B18	IO AD29	M11	P GND	B14	IO PD3 / RDATA#	P04	IO SA16	F10	P VCC
C18	IO AD30	M12	P GND	C14	IO PD4 / DSKCHG#	P03	IO SA17	F12	P VCC
A17	IO AD31	P06	P GND	D14	IO PD5	K02	IO SA18	F13	P VCC
B02	O AEN	P15	P GND	E14	IO PD6	K01	IO SA19	F14	P VCC
C16	IO AUTOFD# / DR0	R06	P GND	A13	IO PD7	F02	IO SBHE#	H06	P VCC
H02	O BALE	R15	P GND	M17	O PDA0	Y01	IO SD00	H15	P VCC
U11	I BATLOW# / GPI2	R13	P GNDH	M19	O PDA1	Y02	IO SD01	J06	P VCC
H05	O BCLK	F08	P GNDH	M18	O PDA2	W02	IO SD02	J15	P VCC
C13	I BUSY / MTR1#	T14	IO GPIOA(8) / GPOWE#	L20	O PDCS1#	Y03	IO SD03	K06	P VCC
J19	IO CBE0#	V14	IO GPIOC(10) / CHAS	M16	O PDCS3#	W03	IO SD04 / KBIN3	K15	P VCC
G20	IO CBE1#	U08	IO GPIOD(11) / MCCS#	P16	IO PDD00	V03	IO SD05 / KBIN4	M06	P VCC
F17	IO CBE2#	T08	O GPO0 / SLOWCLK	P18	IO PDD01	Y04	IO SD06 / KBIN5	M15	P VCC
C19	IO CBE3#	C07	O HDSEL#	P20	IO PDD02	W04	IO SD07 / KBIN6	N06	P VCC
V08	OD CPURST	C20	I IDSEL	R17	IO PDD03	L05	IO SD08	N15	P VCC
Y12	O CPUTSP# / GPO4	Y08	OD IGNNE#	R19	IO PDD04	M02	IO SD09	R07	P VCC
C11	I CTS1#	D07	I INDEX#	T16	IO PDD05	M04	IO SD10	R08	P VCC
A09	I CTS2#	T06	OD INIT	T18	IO PDD06	N01	IO SD11	R11	P VCC
L02	O DACK0# / IDEA	W08	OD INTR	T20	IO PDD07	N03	IO SD12	R14	P VCC
E01	O DACK1# / IDEB	F04	I IOCHCK# / GPIO	T19	IO PDD08	N05	IO SD13	R12	P VCC
G05	O DACK2# / I13 / O25	A02	I IOCHRDY	T17	IO PDD09	P01	IO SD14	R09	P VCC
D02	O DACK3# / AIRO	F03	I IOCS16#	R20	IO PDD10	P02	IO SD15	R10	P VCC
L04	O DACK5# / MIRO	D01	IO IOR#	R18	IO PDD11	U19	O SDA0	F09	P VCCU
M03	O DACK6# / USBIA	C02	IO IOW#	R16	IO PDD12	V18	O SDA1	T13	P VREF
N02	O DACK7# / USBIB	F19	IO IRDY#	P19	IO PDD13	U20	O SDA2	U13	I VSENS1 (2.0V)
A12	I DCD1#	G04	I IRO3	P17	IO PDD14	U17	O SDCS1#	V13	I VSENS2 (2.2V)
A10	I DCD2#	G03	I IRO4	N20	IO PDD15	U18	O SDCS3#	W14	I VSENS3 (5V)
G16	IO DEVSEL#	G02	I IRO5	M20	O PDDACK#	V19	O SDDACK#	Y14	I VSENS4 (12V)
D08	O DIR#	G01	I IRO6 / I4 / SLPBTN#	N19	I PDDRO	Y20	I SDDRQ	A07	O WDATA#
L03	I DRO0	F05	I IRO7	N17	O PDIOR#	W19	O SDIOR#	B07	O WGATE#
E02	I DRO1	W11	I IRO8# / GPI1	N18	O PDIOW#	W20	O SDIOW#	A06	I WRTPT#
H03	I D2 / I12 / O24 / SQ	H04	I IRO9	N16	I PDRDY	V20	I SDRDY	T05	O XDIR / GPO12 / PCS0#
D03	I DRQ3	K03	I IRQ0	D13	I PE / WDATA#	G18	I SERR#		
M01	I DRQ5	K04	I IRQ1	L19	I PGNT#	E13	I SLCT / WGATE#		
M05	I DRQ6	L01	I IRQ14	C15	IO PINIT# / DIR#	E15	IO SLCTIN# / STEP#		

Pin Descriptions

Table 1. Pin Descriptions

PCI Bus Interface																												
Signal Name	Pin #	I/O	Signal Description																									
AD[31:0]	(see pin list)	IO	Address/Data Bus. The standard PCI address and data lines. The address is driven with FRAME# assertion and data is driven or received in following cycles.																									
C/BE[3:0]#	C19, F17, G20, J19	IO	Command/Byte Enable. The command is driven with FRAME# assertion. Byte enables corresponding to supplied or requested data are driven on following clocks.																									
FRAME#	F18	IO	Frame. Assertion indicates the address phase of a PCI transfer. Negation indicates that one more data transfer is desired by the cycle initiator.																									
IRDY#	F19	IO	Initiator Ready. Asserted when the initiator is ready for data transfer.																									
TRDY#	F20	IO	Target Ready. Asserted when the target is ready for data transfer.																									
STOP#	G17	IO	Stop. Asserted by the target to request the master to stop the current transaction.																									
DEVSEL#	G16	IO	Device Select. The VT82C686B asserts this signal to claim PCI transactions through positive or subtractive decoding. As an input, DEVSEL# indicates the response to a VT82C686B-initiated transaction and is also sampled when decoding whether to subtractively decode the cycle.																									
PAR	G19	IO	Parity. A single parity bit is provided over AD[31:0] and C/BE[3:0]#.																									
SERR#	G18	I	System Error. SERR# can be pulsed active by any PCI device that detects a system error condition. Upon sampling SERR# active, the VT82C686B can be programmed to generate an NMI to the CPU.																									
IDSEL	C20	I	Initialization Device Select. IDSEL is used as a chip select during configuration read and write cycles. Connect this pin to AD18 using a 100 Ω resistor.																									
PIRQA-D#	A16, D17, C17, B17	I	<p>PCI Interrupt Request. These pins are typically connected to the PCI bus INTA#-INTD# pins as follows:</p> <table border="0" style="margin-left: 40px;"> <tr> <td></td> <td><u>PIRQA#</u></td> <td><u>PIROB#</u></td> <td><u>PIROC#</u></td> <td><u>PIROD#</u></td> </tr> <tr> <td>PCI Slot 1</td> <td>INTA#</td> <td>INTB#</td> <td>INTC#</td> <td>INTD#</td> </tr> <tr> <td>PCI Slot 2</td> <td>INTB#</td> <td>INTC#</td> <td>INTD#</td> <td>INTA#</td> </tr> <tr> <td>PCI Slot 3</td> <td>INTC#</td> <td>INTD#</td> <td>INTA#</td> <td>INTB#</td> </tr> <tr> <td>PCI Slot 4</td> <td>INTD#</td> <td>INTA#</td> <td>INTB#</td> <td>INTC#</td> </tr> </table>		<u>PIRQA#</u>	<u>PIROB#</u>	<u>PIROC#</u>	<u>PIROD#</u>	PCI Slot 1	INTA#	INTB#	INTC#	INTD#	PCI Slot 2	INTB#	INTC#	INTD#	INTA#	PCI Slot 3	INTC#	INTD#	INTA#	INTB#	PCI Slot 4	INTD#	INTA#	INTB#	INTC#
	<u>PIRQA#</u>	<u>PIROB#</u>	<u>PIROC#</u>	<u>PIROD#</u>																								
PCI Slot 1	INTA#	INTB#	INTC#	INTD#																								
PCI Slot 2	INTB#	INTC#	INTD#	INTA#																								
PCI Slot 3	INTC#	INTD#	INTA#	INTB#																								
PCI Slot 4	INTD#	INTA#	INTB#	INTC#																								
PREQ#	L18	O	PCI Request. This signal goes to the North Bridge to request the PCI bus.																									
PGNT#	L19	I	PCI Grant. This signal is driven by the North Bridge to grant PCI access to the VT82C686B.																									
PCLK	E16	I	PCI Clock. PCLK provides timing for all transactions on the PCI Bus.																									
PCKRUN#	W12	IO	PCI Bus Clock Run. This signal indicates whether the PCI clock is or will be stopped (high) or running (low). The VT82C686B drives this signal low when the PCI clock is running (default on reset) and releases it when it stops the PCI clock. External devices may assert this signal low to request that the PCI clock be restarted or prevent it from stopping. Connect this pin to ground using a 100 Ω resistor if the function is not used. Refer to the “PCI Mobile Design Guide” and the VIA “Apollo MVP4 Design Guide” for more details.																									
PCIRST#	B16	O	PCI Reset. Active low reset signal for the PCI bus. The VT82C686B will assert this pin during power-up or from the control register.																									

CPU Interface			
Signal Name	Pin #	I/O	Signal Description
CPURST	V8	OD	CPU Reset. The VT82C686B asserts CPURST to reset the CPU during power-up.
INTR	W8	OD	CPU Interrupt. INTR is driven by the VT82C686B to signal the CPU that an interrupt request is pending and needs service.
NMI	U7	OD	Non-Maskable Interrupt. NMI is used to force a non-maskable interrupt to the CPU. The VT82C686B generates an NMI when either SERR# or IOCHK# is asserted.
INIT	T6	OD	Initialization. The VT82C686B asserts INIT if it detects a shut-down special cycle on the PCI bus or if a soft reset is initiated by the register
STPCLK#	W7	OD	Stop Clock. STPCLK# is asserted by the VT82C686B to the CPU to throttle the processor clock.
SMI#	U6	OD	System Management Interrupt. SMI# is asserted by the VT82C686B to the CPU in response to different Power-Management events.
FERR#	V7	I	Numerical Coprocessor Error. This signal is tied to the coprocessor error signal on the CPU. Internally generates interrupt 13 if active.
IGNNE#	Y8	OD	Ignore Numeric Error. This pin is connected to the “ignore error” pin on the CPU.
SLP# / GPO7	T7	OD	Sleep (Rx75[7] = 0). Used to put the CPU to sleep. Used with slot-1 CPUs only. Not currently used with socket-7 CPUs.
A20M#	Y7	OD	A20 Mask. Connect to A20 mask input of the CPU to control address bit-20 generation. Logical combination of the A20GATE input (from internal or external keyboard controller) and Port 92 bit-1 (Fast_A20).

Note: Connect each of the above signals to 4.7K Ω pullup resistors to VCC3.

Advanced Programmable Interrupt Controller (APIC)			
Signal Name	Pin #	I/O	Signal Description
WSC# / GPI3 / LID	U10	I	Write Snoop Complete. Asserted by the north bridge to indicate that all snoop activity on the CPU bus initiated by the last PCI-to-DRAM write is complete and that it is safe to perform an APIC interrupt.
APICD0 / GPO1 / SUSA#	V9	IO	APIC Data 0.
APICD1 / SUSCLK	T10	IO	APIC Data 1.

For programming information, refer to Function 0 Rx74,77, Function 4 Rx54[3-2], and Memory Mapped / Indexed APIC registers. Rx77[4] is “Internal APIC Enable”.

The clock source used by the chip to clock the internal I/O APIC is OSC (14.31818 MHz), so OSC must be externally connected to the CPU I/O APIC clock input.

Universal Serial Bus Interface			
Signal Name	Pin #	I/O	Signal Description
USBP0+	A3	IO	USB Port 0 Data +
USBP0-	B3	IO	USB Port 0 Data -
USBP1+	C4	IO	USB Port 1 Data +
USBP1-	D4	IO	USB Port 1 Data -
USBP2+	A4	IO	USB Port 2 Data +
USBP2-	B4	IO	USB Port 2 Data -
USBP3+	B5	IO	USB Port 3 Data +
USBP3-	E6	IO	USB Port 3 Data -
USBCLK	C3	I	USB Clock. 48MHz clock input for the USB interface
USBOC0# / GPO25 / DACK2# / FDCIRQ	G5	I	USB Port 0 Over Current Detect. Port 0 is disabled if low. USBOC0# if Rx76[7] = 1 and Rx76[6] = 0
USBOC1# / GPO24 / DRQ2 / FDCDRQ / SERIRQ	H3	I	USB Port 1 Over Current Detect. Port 1 is disabled if this input is low. Direct inputs are provided for overcurrent protection for ports 0 and 1 which may be used if the alternate functions of these two pins are not required. If overcurrent protection is desired on all four ports (or it is desired to use the alternate functions of these two pins), an external buffer may be used to drive the state of USBOC[3-0]# onto SD[3-0] during ISA bus refresh cycles (i.e., while ISA bus RFSH# is low, so that RFSH# may be used as the buffer enable). USCOC1# if Rx76[7] = 1 and Rx76[6] = 0.
USBOC0# (SD2 & RFSH#)	(W2)	I	USB Port 0 Over Current Detect
USBOC1# (SD1 & RFSH#)	(Y2)	I	USB Port 1 Over Current Detect
USBOC2# (SD0 & RFSH#)	(Y1)	I	USB Port 2 Over Current Detect
USBOC3# (SD3 & RFSH#)	(Y3)	I	USB Port 3 Over Current Detect
USBIRQA / DACK6#	M3	O	USB Interrupt Request A. Output of internal block.
USBIRQB / DACK7#	N2	O	USB Interrupt Request B. Output of internal block.

System Management Bus (SMB) Interface (I ² C Bus)			
Signal Name	Pin #	I/O	Signal Description
SMBCLK	U9	IO	SMB / I ² C Clock.
SMBDATA	T9	IO	SMB / I ² C Data.
SMBALRT# / GPI6	W10	I	SMB Alert. (System Management Bus I/O space Rx08[3] = 1) When the chip is enabled to allow it, assertion generates an IRQ or SMI interrupt or a power management resume event. The same pin is used as General Purpose Input 6 whose value is reflected in Rx48[6] of function 4 I/O space

UltraDMA-33 / 66 / 100 Enhanced IDE Interface			
Signal Name	Pin #	I/O	Signal Description
PDRDY / PDDMARDY / PDSTROBE	N16	I	EIDE Mode: Primary I/O Channel Ready. Device ready indicator UltraDMA Mode: Primary Device DMA Ready. Output flow control. The device may assert DDMARDY to pause output transfers Primary Device Strobe. Input data strobe (both edges). The device may stop DSTROBE to pause input data transfers
SDRDY / SDDMARDY / SDSTROBE	V20	I	EIDE Mode: Secondary I/O Channel Ready. Device ready indicator UltraDMA Mode: Secondary Device DMA Ready. Output flow control. The device may assert DDMARDY to pause output transfers Secondary Device Strobe. Input data strobe (both edges). The device may stop DSTROBE to pause input data transfers
PDIOR# / PHDMARDY / PHSTROBE	N17	O	EIDE Mode: Primary Device I/O Read. Device read strobe UltraDMA Mode: Primary Host DMA Ready. Primary channel input flow control. The host may assert HDMARDY to pause input transfers Primary Host Strobe. Output data strobe (both edges). The host may stop HSTROBE to pause output data transfers
SDIOR# / SHDMARDY / SHSTROBE	W19	O	EIDE Mode: Secondary Device I/O Read. Device read strobe UltraDMA Mode: Secondary Host DMA Ready. Input flow control. The host may assert HDMARDY to pause input transfers Host Strobe B. Output strobe (both edges). The host may stop HSTROBE to pause output data transfers
PDIOW# / PSTOP	N18	O	EIDE Mode: Primary Device I/O Write. Device write strobe UltraDMA Mode: Primary Stop. Stop transfer: Asserted by the host prior to initiation of an UltraDMA burst; negated by the host before data is transferred in an UltraDMA burst. Assertion of STOP by the host during or after data transfer in UltraDMA mode signals the termination of the burst.
SDIOW# / SSTOP	W20	O	EIDE Mode: Secondary Device I/O Write. Device write strobe UltraDMA Mode: Secondary Stop. Stop transfer: Asserted by the host prior to initiation of an UltraDMA burst; negated by the host before data is transferred in an UltraDMA burst. Assertion of STOP by the host during or after data transfer in UltraDMA mode signals the termination of the burst.
PDDRQ	N19	I	Primary Device DMA Request. Primary channel DMA request
SDDRQ	Y20	I	Secondary Device DMA Request. Secondary channel DMA request
PDDACK#	M20	O	Primary Device DMA Acknowledge. Primary channel DMA acknowledge
SDDACK#	V19	O	Secondary Device DMA Acknowledge. Secondary channel DMA acknowledge
IRQ14	L1	I	Primary Channel Interrupt.
IRQ15	K5	I	Secondary Channel Interrupt.

UltraDMA-33 / 66 / 100 Enhanced IDE Interface (continued)			
Signal Name	Pin #	I/O	Signal Description
PDCS1#	L20	O	Primary Master Chip Select. This signal corresponds to CS1FX# on the primary IDE connector.
PDCS3#	M16	O	Primary Slave Chip Select. This signal corresponds to CS3FX# on the primary IDE connector.
SDCS1#	U17	O	Secondary Master Chip Select. This signal corresponds to CS17X# on the secondary IDE connector.
SDCS3#	U18	O	Secondary Slave Chip Select. This signal corresponds to CS37X# on the secondary IDE connector.
PDA[2-0]	M18, M19, M17	O	Primary Disk Address. PDA[2:0] are used to indicate which byte in either the ATA command block or control block is being accessed.
SDA[2-0]	U20, V18, U19	O	Secondary Disk Address. SDA[2:0] are used to indicate which byte in either the ATA command block or control block is being accessed.
PDD[15-0]	N20, P17, P19, R16, R18, R20, T17, T19, T20, T18, T16, R19, R17, P20, P18, P16	IO	Primary Disk Data
SDD[15-0] / SA[15-0]	P5, R1-R5, T1-T4, U1-U3, V1, V2, W1	IO	Secondary Disk Data muxed with ISA Bus Address.
IDEIRQA / DACK0#	L2	O	IDE Interrupt Request A. Output of internal block.
IDEIRQB / DACK1#	E1	O	IDE Interrupt Request B. Output of internal block.

MIDI Interface			
Signal Name	Pin #	I/O	Signal Description
MSI	Y19	I	MIDI Serial In
MSO	Y18	O	MIDI Serial Out

AC97 Audio / Modem Interface			
Signal Name	Pin #	I/O	Signal Description
ACRST	U15	O	AC97 Reset
ACSDOUT	Y16	O	AC97 Serial Data Out
ACSYNC	V16	O	AC97 Sync
ACSDIN2	Y17	I	AC97 Serial Data In 2
ACSDIN	V17	I	AC97 Serial Data In
ACBTCK	W18	I	AC97 Bit Clock
AC97IRQ / DACK3#	D2	O	AC97 Interrupt Request. Output of internal block.
MC97IRQ / DACK5# / SERIRQ / GPO19	L4	O	MC97 Interrupt Request. Output of internal block. Rx77[7] = 1, Rx77[3] = 1, Rx74[6] = 0.

Game Port Interface			
Signal Name	Pin #	I/O	Signal Description
JAB1	W16	I	Joystick A Button 1
JAB2	T15	I	Joystick A Button 2
JBB1	W17	I	Joystick B Button 1
JBB2	U16	I	Joystick B Button 2
JAX / GPO23	V15	I	Joystick A X-axis
JAY / GPO22	Y15	I	Joystick A Y-axis
JBX / GPI23	U14	I	Joystick B X-axis
JBY / GPI22	W15	I	Joystick B Y-axis

See Function 0 Rx77[6]

Floppy Disk Interface			
Signal Name	Pin #	I/O	Signal Description
DRV DEN0	D9	O	Drive Density Select 0.
DRV DEN1	D6	O	Drive Density Select 1.
MTR0#	E9	O	Motor Control 0. Select motor on drive 0.
MTR1#	C8	O	Motor Control 1. Select motor on drive 1
DS0#	B8	O	Drive Select 0. Select drive 0.
DS1#	A8	O	Drive Select 1. Select drive 1
DIR#	D8	O	Direction. Direction of head movement (0 = inward motion, 1 = outward motion)
STEP#	E8	O	Step. Low pulse for each track-to-track movement of the head.
INDEX#	D7	I	Index. Sense to detect that the head is positioned over the beginning of a track
HDSEL#	C7	O	Head Select. Selects the side for R/W operations (0 = side 1, 1 = side 0)
TRK00#	E7	I	Track 0. Sense to detect that the head is positioned over track 0.
RDATA#	B6	I	Read Data. Raw serial bit stream from the drive for read operations.
WDATA#	A7	O	Write Data. Encoded data to the drive for write operations.
WGATE#	B7	O	Write Gate. Signal to the drive to enable current flow in the write head.
DSKCHG#	C6	I	Disk Change. Sense that the drive door is open or the diskette has been changed since the last drive selection.
WRTPRT#	A6	I	Write Protect. Sense for detection that the diskette is write protected (causes write commands to be ignored)
FDCIRQ / DACK2# / USB0C0# / GPO25	G5	I	FDC Interrupt Request. Rx75[2] = 0.
FDCDRQ / DRQ2 / USB0C1# / GPO24 / SERIRQ	H3	I	FDC DMA Request. Rx75[3] = 1.

Parallel Port Interface			
Signal Name	Pin #	I/O	Signal Description
PINIT# / DIR#	C15	IO / O	Initialize. Initialize printer. Output in standard mode, I/O in ECP/EPP mode.
STROBE# / nc	D16	IO / -	Strobe. Output used to strobe data into the printer. I/O in ECP/EPP mode.
AUTOFD# / DRVEN0	C16	IO / O	Auto Feed. Output used to cause the printer to automatically feed one line after each line is printed. I/O pin in ECP/EPP mode.
SLCTIN# / STEP#	E15	IO / O	Select In. Output used to select the printer. I/O pin in ECP/EPP mode.
SLCT / WGATE#	E13	I / O	Select. Status output from the printer. High indicates that it is powered on.
ACK# / DS1#	B13	I / O	Acknowledge. Status output from the printer. Low indicates that it has received the data and is ready to accept new data
ERROR# / HDSEL#	A15	I / O	Error. Status output from the printer. Low indicates an error condition in the printer.
BUSY / MTR1#	C13	I / O	Busy. Status output from the printer. High indicates not ready to accept data.
PE / WDATA#	D13	I / O	Paper End. Status output from the printer. High indicates that it is out of paper.
PD7 / nc, PD6 / nc, PD5 / nc, PD4 / DSKCHG#, PD3 / RDATA#, PD2 / WRTprt#, PD1 / TRK00#, PD0 / INDEX#	A13, E14, D14, C14, B14, A14, D15, B15	IO / - IO / - IO / - IO / I IO / I IO / I IO / I IO / I	Parallel Port Data.

As shown by the alternate functions above, in mobile applications the parallel port pins can optionally be selected to function as a floppy disk interface for attachment of an external floppy drive using the parallel port connector (see Super I/O Configuration Index F6[5]).

Serial Ports and Infrared Interface			
Signal Name	Pin #	I/O	Signal Description
TXD1	A11	O	Transmit Data 1. Serial port 1 transmit data out.
TXD2	D10	O	Transmit Data 2. Serial port 2 transmit data out.
IRTX / GPO14	E12	O	Infrared Transmit. IR transmit data out (Rx76[5] = 0) from serial port 2. General Purpose Output 14 if Rx76[5] = 1
RXD1	B12	I	Receive Data 1. Serial port 1 receive data in.
RXD2	B10	I	Receive Data 2. Serial port 2 receive data in.
IRRX / GPO15	D12	IO	Infrared Receive. IR receive data in (Rx76[5] = 0) to serial port 2. General Purpose Output 15 if Rx76[5] = 1
RTS1#	B11	O	Request To Send 1. Indicator that serial output port 1 is ready to transmit data. Typically used as hardware handshake with CTS1# for low level flow control. Designed for direct input to external RS-232C driver.
RTS2##	E10	O	Request To Send 2. Indicator that serial output port 2 is ready to transmit data. Typically used as hardware handshake with CTS2# for low level flow control. Designed for direct input to external RS-232C driver.
CTS1#	C11	I	Clear To Send 1. Indicator to serial port 1 that external communications device is ready to receive data. Typically used as hardware handshake with RTS1# for low level flow control. Designed for input from external RS-232C receiver.
CTS2#	A9	I	Clear To Send 2. Indicator to serial port 2 that external communications device is ready to receive data. Typically used as hardware handshake with RTS2# for low level flow control. Designed for input from external RS-232C receiver.
DTR1#	D11	O	Data Terminal Ready 1. Serial port 1 indicator that port is powered, initialized, and ready. Typically used as hardware handshake with DSR1# for overall readiness to communicate. Designed for direct input to external RS-232C driver.
DTR2#	B9	O	Data Terminal Ready 2. Serial port 2 indicator that port is powered, initialized, and ready. Typically used as hardware handshake with DSR2# for overall readiness to communicate. Designed for direct input to external RS-232C driver.
DSR1#	C12	I	Data Set Ready 1. Indicator to serial port 1 that external serial communications device is powered, initialized, and ready. Typically used as hardware handshake with DTR1# for overall readiness to communicate. Designed for direct input from external RS-232C receiver.
DSR2#	C10	I	Data Set Ready 2. Indicator to serial port 2 that external serial communications device is powered, initialized, and ready. Typically used as hardware handshake with DTR2# for overall readiness to communicate. Designed for direct input from external RS-232C receiver.
DCD1#	A12	I	Data Carrier Detect 1. Indicator to serial port 1 that external modem is detecting a carrier signal (i.e., a communications channel is currently open). In direct connect environments, this input will typically be driven by DTR1# as part of the DTR/DSR handshake. Designed for direct input from external RS-232C receiver.
DCD2#	A10	I	Data Carrier Detect 2. Indicator to serial port 2 that external modem is detecting a carrier signal (i.e., a communications channel is currently open). In direct connect environments, this input will typically be driven by DTR2# as part of the DTR/DSR handshake. Designed for direct input from external RS-232C receiver.
RI1#	E11	I	Ring Indicator 1. Indicator to serial port 1 that external modem is detecting a ring condition. Used by software to initiate operations to answer and open the communications channel. Designed for direct input from external RS-232C receiver (whose input is typically not connected in direct connect environments).
RI2#	C9	I	Ring Indicator 2. Indicator to serial port 2 that external modem is detecting a ring condition. Used by software to initiate operations to answer and open the communications channel. Designed for direct input from external RS-232C receiver (whose input is typically not connected in direct connect environments).

ISA Bus Interface			
Signal Name	Pin #	I/O	Signal Description
SA[19:16], SA[15-0] / SDD[15-0]	K1, K2, P3, P4, P5, R1, R2, R3, R4, R5, T1, T2, T3, T4, U1, U2, U3, V1, V2, W1	IO IO	System Address Bus. SA[19-16] are connected to ISA bus SA[19-16] directly. SA[19-17] are also connected to LA[19-17] of the ISA bus. If the audio interface is <u>disabled</u> (SPKR pin strapped low), SA[15-0] are connected directly to ISA address bus pins SA[15-0] (the audio interface pins are used for the IDE secondary data bus). If the audio interface is <u>enabled</u> (SPKR pin strapped high), SA[15-0] are multiplexed with the IDE Secondary Data Bus. In this case, SA[15-0] may be connected to both SDD[15-0] and ISA bus SA[15-0]. However, if ISA address bus loading is a concern, 74F245 transceivers may be used to externally drive ISA address bus pins SA[15-0]. In this case, these pins would connect directly to the IDE secondary data bus and to the transceiver "A" pins and the ISA address bus would connect to the transceiver "B" pins. SOE# would be used to control the transceiver output enables and the ISA bus MASTER# signal would drive the transceiver direction controls.
LA[23:20]	J2, J3, J4, J5	IO	System "Latched" Address Bus: The LA[23:20] address lines are bi-directional. These address lines allow accesses to physical memory on the ISA bus up to 16Mbytes. LA[19-17] on the ISA bus are connected to SA[19-17] (see notes above).
SD[15:0]	P2, P1, N5, N3, N1, M4, M2, L5, W4, Y4, V3, W3, Y3, W2, Y2, Y1	IO	System Data. SD[15:0] provide the data path for devices residing on the ISA bus. X-Bus data signals XD[7:0] may be derived if needed from SD[7:0] using an external 74F245-type transceiver (see the XDIR pin description for transceiver connection details). SD7:4 are strap options for keyboard inputs 6:3 (see Function 0 Rx5A)
SBHE#	F2	IO	System Byte High Enable. SBHE# indicates, when asserted, that a byte is being transferred on the upper byte (SD[15:8]) of the data bus. SBHE# is negated during refresh cycles.
IOR#	D1	IO	I/O Read. IOR# is the command to an ISA I/O slave device that the slave may drive data on to the ISA data bus.
IOW#	C2	IO	I/O Write. IOW# is the command to an ISA I/O slave device that the slave may latch data from the ISA data bus.
MEMR#	U4	IO	Memory Read. MEMR# is the command to a memory slave that it may drive data onto the ISA data bus.
MEMW#	V4	IO	Memory Write. MEMW# is the command to a memory slave that it may latch data from the ISA data bus.
SMEMR#	A1	O	Standard Memory Read. SMEMR# is the command to a memory slave, under 1MB, which indicates that it may drive data onto the ISA data bus
SMEMW#	B1	O	Standard Memory Write. SMEMW# is the command to a memory slave, under 1MB, which indicates that it may latch data from the ISA data bus.
BALE	H2	O	Bus Address Latch Enable. BALE is an active high signal asserted by the VT82C686B to indicate that the address (SA[19:0], LA[23:17] and the SBHE# signal) is valid
IOCS16#	F3	I	16-Bit I/O Chip Select. This signal is driven by I/O devices on the ISA Bus to indicate that they support 16-bit I/O bus cycles.
MCS16#	F1	I	Memory Chip Select 16. ISA slaves that are 16-bit memory devices drive this line low to indicate they support 16-bit memory bus cycles.
IOCHCK# / GPIO	F4	I	I/O Channel Check (Rx74[0] = 1). When this signal is asserted, it indicates that a parity or an uncorrectable error has occurred for an I/O or memory device on the ISA Bus. The same pin may optionally be used as General Purpose Input 0.
IOCHRDY	A2	I	I/O Channel Ready (Rx74[0] = 1). This signal is normally high. Devices on the ISA Bus assert IOCHRDY low to indicate that additional time (wait states) is required to complete the cycle.
AEN	B2	O	Address Enable. AEN is asserted during DMA cycles to prevent I/O slaves from misinterpreting DMA cycles as valid I/O cycles.

ISA Bus Interface (continued)			
Signal Name	Pin #	I/O	Signal Description
RFSH#	E3	IO	Refresh. Indicates when a refresh cycle is in progress. Also driven by 16-bit ISA Bus masters to indicate a refresh cycle.
IRQ0 / GPI10 / GPO10 / GPIOC / CHAS / ATEST	V14	I	Interrupt Request 0. (Rx77[3] = 1)
IRQ1 / MSCK	D5	I	Interrupt Request 1. (Rx5A[1] = 0) (used for external KBC interrupt)
IRQ3	G4	I	Interrupt Request 3. (typically used for COM2 serial port interrupt)
IRQ4	G3	I	Interrupt Request 4. (typically used for COM1 serial port interrupt)
IRQ5	G2	I	Interrupt Request 5.
IRQ6 / GPI4 / SLPBTN#	G1	I	Interrupt Request 6. (typically used for FDC floppy ctrlr interrupt)
IRQ7	F5	I	Interrupt Request 7. (typically used for LPT parallel port interrupt)
IRQ8# / GPI1	W11	I	Interrupt Request 8 from ext RTC if int RTC disabled (Rx5A[2] = 0)
IRQ9	H4	I	Interrupt Request 9.
IRQ10	K3	I	Interrupt Request 10.
IRQ11	K4	I	Interrupt Request 11.
IRQ12 / MSDT	C5	I	Interrupt Request 12. (Rx5A[1] = 0)
IRQ14	L1	I	Interrupt Request 14. (typically used for IDE primary chan interrupt)
IRQ15	K5	I	Interrupt Request 15. (typically used for IDE secondary ch interrupt)
DRQ7 / GPI21, DRQ6 / GPI20, DRQ5 / GPI19, DRQ3 / GPI18, DRQ2 / FDCDRQ / SERIRQ / GPO24 / USB0C1# DRQ1 / GPI17, DRQ0 / GPI16	N4, M5, M1, D3, H3, E2, L3	I I I I I I I	DMA Request. Used to request DMA services from the internal DMA controller. DRQ2: Rx68[3] = 0 & Rx75[3] = 1 & Rx75[1] = 0 See also Function 0 Rx77[7]
DACK7# / USBIRQB / GPO21 / THRM#, DACK6# / USBIRQA / GPO20, DACK5# / MC97IRQ / GPO19 / SERIRQ, DACK3# / AC97IRQ / GPO18, DACK2# / USB0C0# / GPO25 / FDCIRQ DACK1# / IDEIRQB / GPO17, DACK0# / IDEIRQA / GPO16	N2, M3, L4, D2, G5, E1, L2	O O O O O O O	Acknowledge. Used by the internal DMA controller to indicate that a request for DMA service has been granted. DACK5#: Rx77[7] = 0 DACK2#: Rx68[3] = 0 & Rx75[3] = 1 & Rx75[2] = 0 See also Function 0 Rx77[7], Rx77[3], and Rx58
TC	H1	O	Terminal Count. Terminal count indicator asserted to DMA slaves.
SPKR	V5	O	Speaker Drive. Output of internal timer/counter 2.
SOE# (default pin function) / GPO13 / MCCS#	U5	O	ISA Address (SA) Output Enable. Asserted low when ISA address (SA) is valid (deasserted when SDD is valid) when SA and SDD are multiplexed on SA pins 15-0 (i.e., when SPKR is strapped low to enable the audio interface pins). SOE# is tied directly to the output enable of 74F245 transceivers that buffer IDE Secondary Bus data and ISA-address (see SA pins for more information).

XD Interface			
Signal Name	Pin #	I/O	Signal Description
XDIR / PCS0# / GPO12	T5	O	X-Bus Data Direction. (Rx76[1]=0) Asserted low for all I/O read cycles and for memory read cycles to the programmed BIOS address space. XDIR is tied directly to the direction control of a 74F245 transceiver that buffers the X-Bus data and ISA-Bus data. The transceiver output enable may be grounded. SD0-7 connect to the "A" side of the transceiver and XD0-7 connect to the "B" side. XDIR high indicates that SD0-7 drives XD0-7.

Serial IRQ			
Signal Name	Pin #	I/O	Signal Description
SERIRQ / DRQ2 / GPO24 / FDCDRQ / USB0C1#	H3	I	Serial IRQ (Rx68[3] = 1, Rx74[6] = 0 and Rx75[3] = 1)
SERIRQ / DACK5# / GPO19 / MC97IRQ	L4	I	Serial IRQ (Rx68[3] = 1 and Rx74[6] = 1)

Internal Keyboard Controller			
Signal Name	Pin #	I/O	Signal Description
MSCK / IRQ1	D5	IO / I	MultiFunction Pin (Internal mouse controller enabled by Rx5A[1]) Rx5A[1]=1 Mouse Clock . From internal mouse controller. Rx5A[1]=0 Interrupt Request 1 . Interrupt input 1.
MSDT / IRQ12	C5	IO / I	MultiFunction Pin (Internal mouse controller enabled by Rx5A[1]) Rx5A[1]=1 Mouse Data . From internal mouse controller. Rx5A[1]=0 Interrupt Request 12 . Interrupt input 12.
KBCK / A20GATE	E5	IO / I	MultiFunction Pin (Internal keyboard controller enabled by Rx5A[0]) Rx5A[0]=1 Keyboard Clock . From internal keyboard controller Rx5A[0]=0 Gate A20 . Input from external keyboard controller.
KBDT / KBRC	A5	IO / I	MultiFunction Pin (Internal keyboard controller enabled by Rx5A[0]) Rx5A[0]=1 Keyboard Data . From internal keyboard controller. Rx5A[0]=0 Keyboard Reset . From external keyboard controller (KBC) for CPURST# generation
KBCS# / ROMCS# / strap	C1	O / O / I	Keyboard Chip Select (Rx5A[0]=0). To external keyboard controller chip. Power-Up Configuration Strap (Sampled At Reset): 4.7K to GND = Socket-7, 4.7K to VCC3 = Socket-370 / Slot-1
KBIN[6-3] / SD[7-4]	W4, Y4, V3, W3	I / IO	Keyboard Inputs 6-3 . Sampled at reset on SD[7-4] and latched into Rx5A[7-4].

Chip Selects			
Signal Name	Pin #	I/O	Signal Description
ROMCS# / KBCS# / strap	C1	O	ROM Chip Select (Rx5A[0]=1). Chip Select to the BIOS ROM. Power-Up Configuration Strap (Sampled At Reset): 4.7K to GND = Socket-7, 4.7K to VCC3 = Socket-370 / Slot-1
PCS0# / GPO12 / XDIR	T5	O	Programmable Chip Select 0 (Rx76[1] = 1 and Rx8B[0] = 1). Asserted during I/O cycles to programmable read or write ISA I/O port ranges. Addressed devices drive data to the SD pins (XDIR is disabled and the X-Bus is not implemented). See also Rx59[3] and Rx77[2].
MCCS# / GPO13 / SOE#	U5	O	Microcontroller Chip Select (Rx76[3] = 1, Rx76[4] = 0, Rx77[0] = 1). Asserted during read or write accesses to I/O ports 62h or 66h.
MCCS# / GPI11 / GPO11 / GPIOD	U8	O	Microcontroller Chip Select (Alternate Pin) (Rx76[4] = 0 selects MCCS# on pin U8, Rx76[4] = 1 selects MCCS# on pin U5). Rx76[3] = 1 enables MCCS# output on the selected pin.

General Purpose Inputs			
Signal Name	Pin #	I/O	Signal Description
GPI0 / IOCHCK#	F4	I	General Purpose Input 0 (Rx74[0] = 0)
GPI1 / IRQ8#	W11	I	General Purpose Input 1 (Rx5A[2] = 1)
GPI2 / BATLOW#	U11	I	General Purpose Input 2
GPI3 / LID / WSC#	U10	I	General Purpose Input 3 (see Rx74[7] and Rx77[3])
GPI4 / IRQ6 / SLPBTN#	G1	I	General Purpose Input 4
GPI5 / THRM / PME#	T11	I	General Purpose Input 5 (Read pin state at PMU IO Rx48[5])
GPI6 / SMBALRT#	W10	I	General Purpose Input 6
GPI7 / RING#	V11	I	General Purpose Input 7
GPI8 / GPO8 / GPIOA / GPOWE#	T14	I	General Purpose Input 8 (Rx74[2] = 0)
GPI9 / GPO9 / GPIOB / FAN2 / DTEST	U12	I	General Purpose Input 9 (Rx74[3] = 0)
GPI10 / GPO10 / GPIOC / CHAS / IRQ0 / ATEST	V14	I	General Purpose Input 10 (Rx74[4] = 0)
GPI11 / GPO11 / GPIOD / MCCS#	U8	I	General Purpose Input 11 (Rx74[5] = 0)
GPI16 / DRQ0	L3	I	General Purpose Input 16 (Rx77[7] = 1). Read at PMU IO 44[2]
GPI17 / DRQ1	E2	I	General Purpose Input 17 (Rx77[7] = 1). Read at PMU IO 44[3]
GPI18 / DRQ3	D3	I	General Purpose Input 18 (Rx77[7] = 1)
GPI19 / DRQ5	M1	I	General Purpose Input 19 (Rx77[7] = 1)
GPI20 / DRQ6	M5	I	General Purpose Input 20 (Rx77[7] = 1)
GPI21 / DRQ7	N4	I	General Purpose Input 21 (Rx77[7] = 1)
GPI22 / JBY	W15	I	General Purpose Input 22 (Rx77[6] = 1, game disa)
GPI23 / JBX	U14	I	General Purpose Input 23 (Rx77[6] = 1, game disa)
GPI[23-16] (SD[7-0] & RFSH#)	n/a	I	General Purpose Inputs 16-23 (enabled on SD by RFSH# active) GPI if Rx77[7] = 0 , SD if Rx77[7] = 1

See also Function 0 Rx77[7-6]

General Purpose Outputs			
Signal Name	Pin #	I/O	Signal Description
<u>GPO0</u> (H) / SLOWCLK	T8	O	General Purpose Output 0 (Function 4 Rx54[1-0] = 00). Output value determined by PMU I/O Rx4C[0]
<u>GPO1</u> (H) / SUSAS# / APICACK#	V9	O	General Purpose Output 1 (Rx74[7] = 0 and Function 4 Rx54[2] = 1)
<u>GPO2</u> (H) / SUSB# / APICCS#	W9	O	General Purpose Output 2 (Rx74[7] = 0 and Function 4 Rx54[3] = 1)
<u>GPO3</u> / SUSST1# (H)	V10	O	General Purpose Output 3 (Function 4 Rx54[4] = 1)
<u>GPO4</u> / CPUTSTP# (L)	Y12	O	General Purpose Output 4 (Rx75[4] = 1)
<u>GPO5</u> / PCISTP# (L)	V12	O	General Purpose Output 5 (Rx75[5] = 1)
<u>GPO6</u>		O	General Purpose Output 6 (Rx75[6] = 1)
<u>GPO7</u> / SLP# (OD)	T7	O	General Purpose Output 7 (Rx75[7] = 1)
<u>GPO8</u> / GPI8 / <u>GPIOA</u> / GPOWE#	T14	O	General Purpose Output 8 (Rx74[2] = 1 and Rx76[0] = 0)
<u>GPO9</u> / GPI9 / <u>GPIOB</u> / FAN2	U12	O	General Purpose Output 9 (Rx74[3] = 1)
<u>GPO10</u> / GPI10 / <u>GPIOC</u> /CHAS/IRQ0	V14	O	General Purpose Output 10 (Rx74[4] = 1 and Rx76[2] = 0)
<u>GPO11</u> / GPI11 / <u>GPIOD</u> / MCCS#	U8	O	General Purpose Output 11 (Rx74[5] = 1 and Rx76[3] = 0)
<u>GPO12</u> / XDIR (H) / PCS0#	T5	O	General Purpose Output 12 (Rx76[1] = 1 and Rx76[4] = 0)
<u>GPO13</u> / SOE# (L) / MCCS#	U5	O	General Purpose Output 13 (Rx77[0] = 1) see also Rx76[4-3]
<u>GPO14</u> / IRTX (L)	E12	O	General Purpose Output 14 (Rx76[5] = 1)
<u>GPO15</u> / IRRX (L)	D12	O	General Purpose Output 15 (Rx76[5] = 1)
<u>GPO16</u> / DACK0#	L2	O	General Purpose Output 16 (Rx77[7] = 1 and Rx77[3] = 0)
<u>GPO17</u> / DACK1#	E1	O	General Purpose Output 17 (Rx77[7] = 1 and Rx77[3] = 0)
<u>GPO18</u> / DACK3#	D2	O	General Purpose Output 18 (Rx77[7] = 1 and Rx77[3] = 0)
<u>GPO19</u> / DACK5# / SERIRQ / MC97IRQ	L4	O	General Purpose Output 19 (Rx77[7] = 1, Rx77[3] = 0 and Rx74[6] = 0)
<u>GPO20</u> / DACK6#	M3	O	General Purpose Output 20 (Rx77[7] = 1 and Rx77[3] = 0)
<u>GPO21</u> / DACK7#/THRM#/USBIRQB	N2	O	General Purpose Output 21 (Rx77[7] = 1, Rx77[3] = 0, F4Rx57[0] = 0)
<u>GPO22</u> / JAY	Y15	O	General Purpose Output 22 (Rx77[6] = 1, game disabled)
<u>GPO23</u> / JAX	V15	O	General Purpose Output 23 (Rx77[6] = 1, game disabled)
<u>GPO24</u> / DRQ2 (H) / FDCDRQ / USB0C1# / SERIRQ	H3	O	General Purpose Output 24 (Rx75[3] = 1 & Rx75[1]=1 & Rx68[3]=0)
<u>GPO25</u> / DACK2# (H) / FDCIRQ / USB0C0#	G5	O	General Purpose Output 25 (Rx75[3] = 1 & Rx75[2]=1 & Rx68[3]=0)
<u>GPO[23-16]</u> (latched from SD[7-0])	n/a	O	General Purpose Output 23-16 (Rx74[7]=0) latched by GPOWE# rising
<u>GPOWE#</u> / <u>GPIOA</u> / GPI8 / GPO8	T14	O	General Purpose Output Write Enable (Rx74[2] = 1 and Rx76[0] = 1).

Default pin functions are underlined in table above (with default level following in parentheses)

See also Function 0 Rx77[7-6]

General Purpose I/Os			
Signal Name	Pin #	I/O	Signal Description
<u>GPIOA</u> / GPI8 / GPO8 / GPOWE#	T14	IO	General Purpose I/O A / 8 (Rx76[0] = 0). GPOWE# if Rx76[0] = 1. See also Rx74[2]
<u>GPIOB</u> / GPI9 / GPO9 / FAN2 / DTEST	U12	IO	General Purpose I/O B / 9 . See also Rx74[3]
<u>GPIOC</u> / GPI10 / GPO10 / CHAS / IRQ0 / ATEST	V14	IO	General Purpose I/O C / 10 . (Rx76[2] = 0). See also Rx74[4]
<u>GPIOD</u> / GPI11 / GPO11 / MCCS#	U8	IO	General Purpose I/O D / 11 . (Rx76[3] = 0). See also Rx74[5]

Hardware Monitoring			
Signal Name	Pin #	I/O	Signal Description
VSENS1	U13	I	Voltage Sense 2.0V. Monitor for CPU core voltage.
VSENS2	V13	I	Voltage Sense 2.5V. Monitor for North Bridge core voltage.
VSENS3	W14	I	Voltage Sense 5V.
VSENS4	Y14	I	Voltage Sense 12V. Connect +12V through a resistive voltage divider to insure 5V max to the input pin (see MVP4 Design Guide for details).
VREF	T13	P	Voltage Reference for Thermal Sensing (2.48V \pm 5%)
TSENS1	W13	I	Temperature Sense 1.
TSENS2	Y13	I	Temperature Sense 2.
FAN1	T12	I	Fan Speed Monitor 1. (3.3V only)
FAN2 / GPIOB/9 / DTEST	U12	I	Fan Speed Monitor 2.
CHAS / GPIOC/10 / IRQ0 / ATEST	V14	I	Chassis Intrusion Detect (Func 0 Rx76[2] = 1). Used for system security purposes.
DTEST / FAN2 / GPIOB/9	U12	O	Hardware Monitor Digital Test Out
ATEST / CHAS / GPIOC/10 / IRQ0	V14	O	Hardware Monitor Analog Test Out

Power Management			
Signal Name	Pin #	I/O	Signal Description
THRM / GPI5 / PME#	T11	I	Thermal Alarm Monitor Input. (Rx74[1] = 1)
THRM# / GPO21 / DACK7#	N2	O	Internal Thermal Alarm Output. (F4 Rx57[0] = 1)
PWRBTN#	Y11	I	Power Button. Used by the Power Management subsystem to monitor an external system on/off button or switch. The VT82C686B performs a 200us debounce of this input if Function 4 Rx40[5] is set to 1. (3.3V only)
SLPBTN# / IRQ6 / GPI4	G1	I / I / I	Sleep Button. Used by the Power Management subsystem to monitor an external system sleep button or switch. (Function 4 Rx40[6]=1) (10K PU to VCC if not used)
RSMRST#	V6	I	Resume Reset. Resets the internal logic connected to the VCCS power plane and also resets portions of the internal RTC logic.
EXTSMI#	Y10	IOD	External System Management Interrupt. When enabled to allow it, a falling edge on this input causes an SMI# to be generated to the CPU to enter SMI mode. (10K PU to VCCS if not used) (3.3V only)
PME# / GPI5 / THRM	T11	I	Power Management Event. (Rx74[1]=0) (1K PU to VCCS if not used)
SMBALRT# / GPI6	W10	I	SMB Alert (System Management Bus I/O space Rx08[3] = 1). When the chip is enabled to allow it, assertion generates an IRQ or SMI or power management event. (10K PU to VCCS if not used)
LID / GPI3 / WSC#	U10	I	Notebook Computer Display Lid Open / Closed Monitor. Used by the Power Management subsystem to monitor the opening and closing of the display lid of notebook computers. Can be used to detect either low-to-high and/or high-to-low transitions to generate an SMI#. The VT82C686B performs a 200 usec debounce of this input if Function 4 Rx40[5] is set to 1. (10K PU to VCCS if not used)
RING# / GPI7	V11	I	Ring Indicator. May be connected to external modem circuitry to allow the system to be re-activated by a received phone call. (10K PU to VCCS if not used)
BATLOW# / GPI2	U11	I	Battery Low Indicator. (10K PU to VCCS if not used) (3.3V only)
CPUSTP# / GPO4	Y12	O	CPU Clock Stop (Rx75[4] = 0). Signals the system clock generator to disable the CPU clock outputs. Not connected if not used. See also PMU I/O Rx2C[3].
PCISTP# / GPO5	V12	O	PCI Clock Stop (Rx75[5] = 0). Signals the system clock generator to disable the PCI clock outputs. Not connected if not used.
SUSA# / GPO1 / APICD0	V9	O	Suspend Plane A Control (Rx74[7]=0 and Function 4 Rx54[2]=0). Asserted during power management POS, STR, and STD suspend states. Used to control the primary power plane. (10K PU to VCCS if not used)
SUSB# / GPO2	W9	O	Suspend Plane B Control (Rx74[7]=0 and Function 4 Rx54[3]=0). Asserted during power management STR and STD suspend states. Used to control the secondary power plane. (10K PU to VCCS if not used)
SUSC#	Y9	O	Suspend Plane C Control. Asserted during power management STD suspend state. Used to control the tertiary power plane. Also connected to ATX power-on circuitry.
SUSST1# / GPO3	V10	O	Suspend Status 1 (Func4 Rx54[4] = 1 for GPO3). Typically connected to the North Bridge to provide information on host clock status. Asserted when the system may stop the host clock, such as Stop Clock or during POS, STR, or STD suspend states. Connect 10K PU to VCCS.
SUSCLK / APICD1	T10	O	Suspend Clock. 32.768 KHz output clock for use by the North Bridge (e.g., Apollo MVP3 or MVP4) for DRAM refresh purposes. Stopped during Suspend-to-Disk and Soft-Off modes. Connect 10K PU to VCCS.

Resets and Clocks			
Signal Name	Pin #	I/O	Signal Description
PWRGD	W6	I	Power Good. Connected to the PWRGOOD signal on the Power Supply.
PCIRST#	B16	O	PCI Reset. Active low reset signal for the PCI bus. The VT82C686B will assert this pin during power-up or from the control register.
RSTDRV	J1	O	Reset Drive. Reset signal to the ISA bus. Connect through an inverter to the chipset north bridge RESET# input and to PCI bus RESET#.
BCLK	H5	O	Bus Clock. ISA bus clock.
OSC	E4	I	Oscillator. 14.31818 MHz clock signal used by the internal Timer.
RTCX1	Y5	I	RTC Crystal Input: 32.768 KHz crystal or oscillator input. This input is used for the internal RTC and for power-well power management logic.
RTCX2	W5	O	RTC Crystal Output: 32.768 KHz crystal output
SLOWCLK / GPO0	T8	O	Slow Clock. Frequency selectable if PMU function 4 Rx54[1-0] is nonzero (set to 01, 10, or 11).

Power and Ground			
Signal Name	Pin #	I/O	Signal Description
VCC	F7, F10, F12-F14, H6, H15, J6, J15, K6, K15, M6, M15, N6, N15, R7-R8, R11, R14	P	Core Power. 3.3V nominal (3.15V to 3.45V). This supply is turned on only when the mechanical switch on the power supply is turned on and the PWRON signal is conditioned high. This pin should be connected to the same voltage as the CPU I/O circuitry. Internally connected to hardware monitoring system voltage detection circuitry for 3.3V monitoring.
GND	F6, F11, F15, G6, G15, J9-J12, K9-K12, L6, L9-L12, L15, M9-M12, P6, P15, R6, R15	P	Ground. Connect to primary motherboard ground plane.
VCCS	R9-R10	P	Suspend Power. Always available unless the mechanical switch of the power supply is turned off. If the “soft-off” state is not implemented, then this pin can be connected to VCC. Signals powered by or referenced to this plane are: PWRGD, RSMRST#, PWRBTN#, SMBCLK, SMBDATA, SUSCLK, SUSA# / GPO1, SUSB# / GPO2, SUSC#, SUSST1# / GPO6, GPI1 / IRQ8#, GPI2 / BATLOW#, GPI3 / LID, GPI5 / PME#, GPI6 / SMBALRT#, GPI7 / RING#, GPO0
VBAT	Y6	P	RTC Battery. Battery input for internal RTC (RTCX1, RTCX2)
VREF	T13	P	Voltage Reference (5V ±5%). For thermal sensing and 5V input tolerance.
VCCH	R12	P	Hardware Monitor Power. Power for hardware monitoring subsystem (voltage monitoring, temperature monitoring, and fan speed monitoring). Connect to VCC through a ferrite bead.
GNDH	R13	P	Hardware Monitor Ground. Connect to GND through a ferrite bead.
VCCU	F9	P	USB Differential Output Power. Power for USB differential outputs (USBP0+, P0-, P1+, P1-, P2+, P2-, P3+, P3-). Connect to VCC through a ferrite bead.
GNDU	F8	P	USB Differential Output Ground. Connect to GND through a ferrite bead.

REGISTERS

Register Overview

The following tables summarize the configuration and I/O registers of the VT82C686B. These tables also document the power-on default value (“Default”) and access type (“Acc”) for each register. Access type definitions used are RW (Read/Write), RO (Read/Only), “—” for reserved / used (essentially the same as RO), and RWC (or just WC) (Read / Write 1’s to Clear individual bits). Registers indicated as RW may have some read/only bits that always read back a fixed value (usually 0 if unused); registers designated as RWC or WC may have some read-only or read write bits (see individual register descriptions for details).

Detailed register descriptions are provided in the following section of this document. All offset and default values are shown in hexadecimal unless otherwise indicated

Table 2. System I/O Map

<u>Port</u>	<u>Function</u>	<u>Actual Port Decoding</u>
00-1F	Master DMA Controller	0000 0000 000x nnnn
20-3F	Master Interrupt Controller	0000 0000 001x xxxn
40-5F	Timer / Counter	0000 0000 010x xxnn
60-6F	Keyboard Controller	0000 0000 0110 xnxn
(60h)	KBC Data	0000 0000 0110 x0x0
(61h)	Misc Functions & Spkr Ctrl	0000 0000 0110 xxx1
(64h)	KBC Command / Status	0000 0000 0110 x1x0
70-77	RTC/CMOS/NMI-Disable	0000 0000 0111 0nnn
78-7F	-available for system use-	0000 0000 0111 1xxx
80	-reserved- (debug port)	0000 0000 1000 0000
81-8F	DMA Page Registers	0000 0000 1000 nnnn
90-91	-available for system use-	0000 0000 1001 000x
92	System Control	0000 0000 1001 0010
93-9F	-available for system use-	0000 0000 1001 nnnn
A0-BF	Slave Interrupt Controller	0000 0000 101x xxxn
C0-DF	Slave DMA Controller	0000 0000 110n nnnx
E0-FF	-available for system use-	0000 0000 111x xxxx
100-CF7	-available for system use*	
CF8-CFB	PCI Configuration Address	0000 1100 1111 10xx
CFC-CFF	PCI Configuration Data	0000 1100 1111 11xx
D00-FFFF	-available for system use-	

* On-Chip Super-I/O Functions – PC-Standard Port Addresses

200-20F	Game Port
2E8-2EF	COM4
2F8-2FF	COM2
378-37F	Parallel Port (Standard & EPP)
3E8-3EF	COM3
3F0-3F1	Configuration Index / Data
3F0-3F7	Floppy Controller
3F8-3FF	COM1
778-77A	Parallel Port (ECP Extensions) (Port 378+400)

Table 3. Registers

Legacy I/O Registers

Port	Master DMA Controller Registers	Default	Acc
00	Channel 0 Base & Current Address		RW
01	Channel 0 Base & Current Count		RW
02	Channel 1 Base & Current Address		RW
03	Channel 1 Base & Current Count		RW
04	Channel 2 Base & Current Address		RW
05	Channel 2 Base & Current Count		RW
06	Channel 3 Base & Current Address		RW
07	Channel 3 Base & Current Count		RW
08	Status / Command		RW
09	Write Request		WO
0A	Write Single Mask		WO
0B	Write Mode		WO
0C	Clear Byte Pointer FF		WO
0D	Master Clear		WO
0E	Clear Mask		WO
0F	Read / Write Mask		RW

Port	Master Interrupt Controller Regs	Default	Acc
20	Master Interrupt Control	—	*
21	Master Interrupt Mask	—	*
20	Master Interrupt Control Shadow	—	RW
21	Master Interrupt Mask Shadow	—	RW

* RW if shadow registers are disabled

Port	Timer/Counter Registers	Default	Acc
40	Timer / Counter 0 Count		RW
41	Timer / Counter 1 Count		RW
42	Timer / Counter 2 Count		RW
43	Timer / Counter Control		WO

Port	Keyboard Controller Registers	Default	Acc
60	Keyboard Controller Data		RW
61	Misc Functions & Speaker Control		RW
64	Keyboard Ctrlr Command / Status		RW

Port	CMOS / RTC / NMI Registers	Default	Acc
70	CMOS Memory Address & NMI Disa		WO
71	CMOS Memory Data (128 bytes)		RW
72	CMOS Memory Address		RW
73	CMOS Memory Data (256 bytes)		RW
74	CMOS Memory Address		RW
75	CMOS Memory Data (256 bytes)		RW

NMI Disable is port 70h (CMOS Memory Address) bit-7.
 RTC control occurs via specific CMOS data locations (0-Dh).
 Ports 72-73 may be used to access all 256 locations of CMOS.
 Ports 74-75 may be used to access CMOS if the internal RTC is disabled.

Legacy I/O Registers (continued)

Port	DMA Page Registers	Default	Acc
87	DMA Page – DMA Channel 0		RW
83	DMA Page – DMA Channel 1		RW
81	DMA Page – DMA Channel 2		RW
82	DMA Page – DMA Channel 3		RW
8F	DMA Page – DMA Channel 4		RW
8B	DMA Page – DMA Channel 5		RW
89	DMA Page – DMA Channel 6		RW
8A	DMA Page – DMA Channel 7		RW

Port	System Control Registers	Default	Acc
92	System Control		RW

Port	Slave Interrupt Controller Regs	Default	Acc
A0	Slave Interrupt Control	—	*
A1	Slave Interrupt Mask	—	*
A0	Slave Interrupt Control Shadow	—	RW
A1	Slave Interrupt Mask Shadow	—	RW

* RW accessible if shadow registers are disabled

Port	Slave DMA Controller Registers	Default	Acc
C0	Channel 0 Base & Current Address		RW
C2	Channel 0 Base & Current Count		RW
C4	Channel 1 Base & Current Address		RW
C6	Channel 1 Base & Current Count		RW
C8	Channel 2 Base & Current Address		RW
CA	Channel 2 Base & Current Count		RW
CC	Channel 3 Base & Current Address		RW
CE	Channel 3 Base & Current Count		RW
D0	Status / Command		RW
D2	Write Request		WO
D4	Write Single Mask		WO
D6	Write Mode		WO
D8	Clear Byte Pointer FF		WO
DA	Master Clear		WO
DC	Clear Mask		WO
DE	Read / Write Mask		RW

Super-I/O Configuration Registers (I/O Space)

Port	Super-I/O Configuration Registers	Default	Acc
3F0	Super-I/O Config Index (Rx85[1]=1)	00	RW
3F1	Super-I/O Config Data (Rx85[1]=1)	00	RW

Super-I/O Configuration Registers (Indexed via Port 3F0/1)

Offset	Super-I/O Control	Default	Acc
00-DF	-reserved-	00	RO
E0	Super-I/O Device ID	3C	RW
E1	Super-I/O Device Revision	00	RW
E2	Function Select	03	RW
E3	Floppy Ctrlr Base Addr (def = 3F0-7)	FC	RW
E4-E5	-reserved-	00	RO
E6	Parallel Port Base Addr (def = 378-F)	DE	RW
E7	Serial Port 1 Base Addr (def = 3F8-F)	FE	RW
E8	Serial Port 2 Base Addr (def = 2F8-F)	BE	RW
E9-ED	-reserved-	00	RO
EE	Serial Port Configuration	00	RW
EF	Power Down Control	00	RW
F0	Parallel Port Control	00	RW
F1	Serial Port Control	00	RW
F2	Test Mode (Do Not Program)	00	RW
F3	-reserved-	00	RO
F4	Test Mode (Do Not Program) 2	00	RW
F5	-reserved-	00	RO
F6	Floppy Controller Configuration	00	RW
F7	-reserved-	00	RO
F8	Floppy Controller Drive Select	00	RW
F9-FB	-reserved-	00	RO
FC	General Purpose I/O	00	RW
FD-FF	-reserved-	00	RO

Super-I/O I/O Ports

Offset	Floppy Disk Controller (Base = E3)	Default	Acc
00-01	-reserved-	00	--
02	FDC Command	--	RW
03	-reserved-	00	--
04	FDC Main Status	--	RO
04	FDC Data Rate Select	02	WO
05	FDC Data	--	RW
06	-reserved-	00	--
07	Disk Change Status	--	RO

Offset	Parallel Port (Base = E6)	Default	Acc
00	Parallel Port Data	--	RW
01	Parallel Port Status	--	RO
02	Parallel Port Control	E0	RW
03	EPP Address		RW
04	EPP Data Port 0		RW
05	EPP Data Port 1		RW
06	EPP Data Port 2		RW
07	EPP Data Port 3		RW
400h	ECP Data / Configuration A		RW
401h	ECP Configuration B		RW
402h	ECP Extended Control		RW

Offset	Serial Port 1 (Base = E7)	Default	Acc
0	Transmit (Wr) / Receive (Rd) Buffer		RW
1	Interrupt Enable		RW
2	FIFO Control		WO
2	Interrupt Status		RO
3	UART Control		RW
4	Handshake Control		RW
5	UART Status		RW
6	Handshake Status		RW
7	Scratchpad		RW
9-8	Baud Rate Generator Divisor		RW
A-F	-undefined-		--

Offset	Serial Port 2 (Base = E8)	Default	Acc
0	Transmit (Wr) / Receive (Rd) Buffer		RW
1	Interrupt Enable		RW
2	FIFO Control		WO
2	Interrupt Status		RO
3	UART Control		RW
4	Handshake Control		RW
5	UART Status		RW
6	Handshake Status		RW
7	Scratchpad		RW
9-8	Baud Rate Generator Divisor		RW
A-F	-undefined-		--

PCI Function 0 Registers – PCI-to-ISA Bridge

Configuration Space PCI-to-ISA Bridge Header Registers

Offset	PCI Configuration Space Header	Default	Acc
1-0	Vendor ID	1106	RO
3-2	Device ID	0686	RO
5-4	Command	0087	RW
7-6	Status	0200	WC
8	Revision ID	nn	RO
9	Programming Interface	00	RO
A	Sub Class Code	01	RO
B	Base Class Code	06	RO
C	-reserved- (cache line size)	00	—
D	-reserved- (latency timer)	00	—
E	Header Type	80	RO
F	Built In Self Test (BIST)	00	RO
10-27	-reserved- (base address registers)	00	—
28-2B	-reserved- (unassigned)	00	—
2F-2C	Subsystem ID Read	00	RO
30-33	-reserved- (expansion ROM base addr)	00	—
34-3B	-reserved- (unassigned)	00	—
3C	-reserved- (interrupt line)	00	—
3D	-reserved- (interrupt pin)	00	—
3E	-reserved- (min gnt)	00	—
3F	-reserved- (max lat)	00	—

Configuration Space PCI-to-ISA Bridge-Specific Registers

Offset	ISA Bus Control	Default	Acc
40	ISA Bus Control	00	RW
41	ISA Test Mode	00	RW
42	ISA Clock Control	00	RW
43	ROM Decode Control	00	RW
44	Keyboard Controller Control	00	RW
45	Type F DMA Control	00	RW
46	Miscellaneous Control 1	00	RW
47	Miscellaneous Control 2	00	RW
48	Miscellaneous Control 3	01	RW
49	-reserved-	00	—
4A	IDE Interrupt Routing	04	RW
4B	-reserved-	00	—
4C	DMA / Master Mem Access Control 1	00	RW
4D	DMA / Master Mem Access Control 2	00	RW
4F-4E	DMA / Master Mem Access Control 3	0300	RW

Offset	Plug and Play Control	Default	Acc
50	PnP DMA Request Control	2D	RW
51	PnP Routing for LPT / FDC IRQ	00	RW
52	PnP Routing for COM2 / COM1 IRQ	00	RW
53	-reserved-	00	—

Offset	Plug and Play Control (cont'd)	Default	Acc
54	PCI IRQ Edge / Level Select	00	RW
55	PnP Routing for PCI INTA	00	RW
56	PnP Routing for PCI INTB-C	00	RW
57	PnP Routing for PCI INTD	00	RW
58	APIC IRQ Output Control	00	RW
59	-reserved-	04	—
5A	KBC / RTC Control	x4†	RW
5B	Internal RTC Test Mode	00	RW
5C	DMA Control	00	RW
5D-5E	-reserved-	00	—
5F	-reserved- (do not program)	04	RW

† Bit 7-4 power-up default depends on external strapping

Offset	Distributed DMA	Default	Acc
61-60	Channel 0 Base Address / Enable	0000	RW
63-62	Channel 1 Base Address / Enable	0000	RW
65-64	Channel 2 Base Address / Enable	0000	RW
67-66	Channel 3 Base Address / Enable	0000	RW
69-68	Serial IRQ Control	0000	RW
6B-6A	Channel 5 Base Address / Enable	0000	RW
6D-6C	Channel 6 Base Address / Enable	0000	RW
6F-6E	Channel 7 Base Address / Enable	0000	RW

Offset	Miscellaneous	Default	Acc
70	Subsystem ID Write	00	WO
71-73	-reserved-	00	—
74	GPIO Control 1	00	RW
75	GPIO Control 2	00	RW
76	GPIO Control 3	00	RW
77	GPIO Control 4	10	RW
79-78	PCS0# I/O Port Address	0000 0000	RW
7B-7A	PCS1# I/O Port Address	0000 0000	RW
7D-7C	PCI DMA Channel Enable	0000	RW
7F-7E	32-Bit DMA Control	0000	RW
80	Programmable Chip Select Mask	00	RW
81	ISA Positive Decoding Control 1	00	RW
82	ISA Positive Decoding Control 2	00	RW
83	ISA Positive Decoding Control 3	00	RW
84	ISA Positive Decoding Control 4	00	RW
85	Extended Function Enable	00	RW
86-87	PnP IRQ/DRQ Test (do not program)	00	RW
88	PLL Test	00	RW
89	PLL Control	00	RW
8A	PCS2/3 I/O Port Address Mask	00	RW
8B	PCS Control	00	RW
8D-8C	PCS2# I/O Port Address	0000	RW
8F-8E	PCS3# I/O Port Address	0000	RW
90-FF	-reserved-	00	—

PCI Function 1 Registers – IDE Controller

Configuration Space IDE Header Registers

Offset	PCI Configuration Space Header	Default	Acc
1-0	Vendor ID	1106	RO
3-2	Device ID	0571	RO
5-4	Command	0080	RO
7-6	Status	0280	RW
8	Revision ID	nn	RO
9	Programming Interface	85	RW
A	Sub Class Code	01	RO
B	Base Class Code	01	RO
C	-reserved- (cache line size)	00	—
D	Latency Timer	00	RW
E	Header Type	00	RO
F	Built In Self Test (BIST)	00	RO
13-10	Base Address – Pri Data / Command	000001F0	RO
17-14	Base Address – Pri Control / Status	000003F4	RO
1B-18	Base Address – Sec Data / Command	00000170	RO
1F-1C	Base Address – Sec Control / Status	00000374	RO
23-20	Base Address – Bus Master Control	0000CC01	RW
24-2F	-reserved- (unassigned)	00	—
30-33	-reserved- (expan ROM base addr)	00	—
34	Capability Pointer	C0	RO
35-3B	-reserved- (unassigned)	00	—
3C	Interrupt Line	0E	RW
3D	Interrupt Pin	00	RO
3E	Minimum Grant	00	RO
3F	Maximum Latency	00	RO

Configuration Space IDE-Specific Registers

Offset	Configuration Space IDE Registers	Default	Acc
40	IDE Chip Enable	00	RW
41	IDE Configuration 1	06	RW
42	IDE Configuration 2	09	RW
43	IDE FIFO Configuration	0A	RW
44	IDE Miscellaneous Control 1	68	RW
45	IDE Miscellaneous Control 2	00	RW
46	IDE Miscellaneous Control 3	C0	RW
4B-48	IDE Drive Timing Control	A8A8A8A8	RW
4C	IDE Address Setup Time	FF	RW
4D	-reserved- (do not program)	00	RW
4E-4F	-reserved-	00	—

Configuration Space IDE-Specific Registers (continued)

Offset	Configuration Space IDE Registers	Default	Acc
53-50	UltraDMA Extended Timing Control	07070707	RW
54	UltraDMA FIFO Control	06	RW
55-5F	-reserved-	00	—
61-60	IDE Primary Sector Size	0200	RW
62-67	-reserved-	00	—
69-68	IDE Secondary Sector Size	0200	RW
69-6F	-reserved-	00	—
70	IDE Primary Status	00	RW
71	IDE Primary Intrpt Control	00	RW
72-77	-reserved-	00	—
78	IDE Secondary Status	00	RW
79	IDE Secondary Intrpt Control	00	RW
7A-7F	-reserved-	00	—
83-80	IDE Primary S/G Descriptor Address	0000 0000	RW
84-87	-reserved-	00	—
8B-88	IDE Secondary S/G Descriptor Addr	0000 0000	RW
8C-BF	-reserved-	00	—
C3-C0	PCI PM Block 1	0002 0001	RO
C7-C4	PCI PM Block 2	0000 0000	RW
C8-FF	-reserved-	00	—

I/O Registers – IDE Controller (SFF 8038 v1.0 Compliant)

Offset	IDE I/O Registers	Default	Acc
0	Primary Channel Command	00	RW
1	-reserved-	00	—
2	Primary Channel Status	00	WC
3	-reserved-	00	—
4-7	Primary Channel PRD Table Addr	00	RW
8	Secondary Channel Command	00	RW
9	-reserved-	00	—
A	Secondary Channel Status	00	WC
B	-reserved-	00	—
C-F	Secondary Channel PRD Table Addr	00	RW

PCI Function 2 Registers – USB Controller Ports 0-1

PCI Function 3 Registers – USB Controller Ports 2-3

Configuration Space USB Header Registers

Offset	PCI Configuration Space Header	Default	Acc
1-0	Vendor ID	1106	RO
3-2	Device ID	3038	RO
5-4	Command	0000	RW
7-6	Status	0200	WC
8	Revision ID	nn	RO
9	Programming Interface	00	RO
A	Sub Class Code	03	RO
B	Base Class Code	0C	RO
C	Cache Line Size	00	RO
D	Latency Timer	16	RW
E	Header Type	00	RO
F	BIST	00	RO
10-1F	-reserved-	00	—
23-20	USB I/O Register Base Address	00000301	RW
24-3B	-reserved-	00	—
3C	Interrupt Line	00	RW
3D	Interrupt Pin	04	RO
3E-3F	-reserved-	00	—

Configuration Space USB Header Registers

Offset	PCI Configuration Space Header	Default	Acc
1-0	Vendor ID	1106	RO
3-2	Device ID	3038	RO
5-4	Command	0000	RW
7-6	Status	0200	WC
8	Revision ID	nn	RO
9	Programming Interface	00	RO
A	Sub Class Code	03	RO
B	Base Class Code	0C	RO
C	Cache Line Size	00	RO
D	Latency Timer	16	RW
E	Header Type	00	RO
F	BIST	00	RO
10-1F	-reserved-	00	—
23-20	USB I/O Register Base Address	00000301	RW
24-3B	-reserved-	00	—
3C	Interrupt Line	00	RW
3D	Interrupt Pin	04	RO
3E-3F	-reserved-	00	—

Configuration Space USB-Specific Registers

Offset	USB Control	Default	Acc
40	USB Miscellaneous Control 1	00	RW
41	USB Miscellaneous Control 2	10	RW
42	USB FIFO Control	00	RW
43	-reserved-	00	—
44-45	-reserved- (test, do not program)		RW
46-47	-reserved- (test)		RO
48-5F	-reserved-	00	—
60	USB Serial Bus Release Number	10	RO
61-7F	-reserved-	00	—
83-80	PM Capability	0002 0001	RO
84	PM Capability Status	00	RW
85-BF	-reserved-	00	—
C1-C0	USB Legacy Support	2000	RW
C2-FF	-reserved-	00	—

Configuration Space USB-Specific Registers

Offset	USB Control	Default	Acc
40	USB Miscellaneous Control 1	00	RW
41	USB Miscellaneous Control 2	10	RW
42	USB FIFO Control	00	RW
43	-reserved-	00	—
44-45	-reserved- (test only, do not program)		RW
46-47	-reserved- (test)		RO
48-5F	-reserved-	00	—
60	USB Serial Bus Release Number	10	RO
61-7F	-reserved-	00	—
83-80	PM Capability	0002 0001	RO
84	PM Capability Status	00	RW
85-BF	-reserved-	00	—
C1-C0	USB Legacy Support	2000	RW
C2-FF	-reserved-	00	—

I/O Registers – USB Controller

Offset	USB I/O Registers	Default	Acc
1-0	USB Command	0000	RW
3-2	USB Status	0000	WC
5-4	USB Interrupt Enable	0000	RW
7-6	Frame Number	0000	RW
B-8	Frame List Base Address	00000000	RW
C	Start Of Frame Modify	40	RW
11-10	Port 0 Status / Control	0080	WC
13-12	Port 1 Status / Control	0080	WC
14-1F	-reserved-	00	—

I/O Registers - USB Controller

Offset	USB I/O Registers	Default	Acc
1-0	USB Command	0000	RW
3-2	USB Status	0000	WC
5-4	USB Interrupt Enable	0000	RW
7-6	Frame Number	0000	RW
B-8	Frame List Base Address	00000000	RW
C	Start Of Frame Modify	40	RW
11-10	Port 2 Status / Control	0080	WC
13-12	Port 3 Status / Control	0080	WC
14-1F	-reserved-	00	—

PCI Function 4 Registers - Power Management
Configuration Space Power Management Header Registers

Offset	PCI Configuration Space Header	Default	Acc
1-0	Vendor ID	1106	RO
3-2	Device ID	3057	RO
5-4	Command	0000	RO
7-6	Status	0280	WC
8	Revision ID	nn	RO
9	Programming Interface	00†	RO
A	Sub Class Code	00†	RO
B	Base Class Code	00†	RO
C	Cache Line Size	00	RO
D	Latency Timer	00	RO
E	Header Type	00	RO
F	BIST	00	RO
10-3F	-reserved-	00	—

† The default values for these registers may be changed by writing to offsets 61-63h (see below).

Configuration Space Power Management Registers

Offset	Power Management	Default	Acc
40	General Configuration 0	00	RW
41	General Configuration 1	00	RW
42	ACPI Interrupt Select	00	RW
43	Internal Timer Read Test	—	RO
45-44	Primary Interrupt Channel	0000	RW
47-46	Secondary Interrupt Channel	0000	RW
4B-48	Power Mgmt I/O Base (256 Bytes)	0000 0001	RW
4C	Host Bus Power Management Control	00	RW
4D	Throttle / Clock Stop Control	00	RW
4E-4F	-reserved-	00	—
53-50	GP Timer Control	0000 0000	RW
54	Power Well Control	00	RW
55	USB Wakeup Control	00	RW
56	-reserved-	00	—
57	Miscellaneous Control	00	RW
58	GP2 / GP3 Timer Control	00	RW
59	GP2 Timer	00	RW
5A	GP3 Timer	00	RW
5B-60	-reserved-	00	—
61	Write value for Offset 9 (Prog Intfc)	00	WO
62	Write value for Offset A (Sub Class)	00	WO
63	Write value for Offset B (Base Class)	00	WO
64-7F	-reserved-	00	—

Configuration Space Hardware Monitor Registers

Offset	System Management Bus	Default	Acc
71-70	Hardware Mon IO Base (128 Bytes)	0001	RW
72-73	-reserved-	00	—
74	Hardware Monitor Control	00	RW
75-8F	-reserved-	00	—

Configuration Space SMBus Registers

Offset	System Management Bus	Default	Acc
93-90	SMBus I/O Base (16 Bytes)	0000 0001	RW
94-D1	-reserved-	00	—
D2	SMBus Host Configuration	00	RW
D3	SMBus Host Slave Command	00	RW
D4	SMBus Slave Address Shadow Port 1	00	RW
D5	SMBus Slave Address Shadow Port 2	00	RW
D6	SMBus Revision ID	nn	RO
D7-FF	-reserved-	00	—

I/O Space Power Management- Registers

Offset	Basic Control / Status Registers	Default	Acc
1-0	Power Management Status	0000	WC
3-2	Power Management Enable	0000	RW
5-4	Power Management Control	0000	RW
6-7	-reserved-	00	—
B-8	Power Management Timer	0000 0000	RW
C-F	-reserved-	00	—

Offset	Processor Registers	Default	Acc
13-10	Processor and PCI Bus Control	0000 0000	RW
14	Processor LVL2	00	RO
15	Processor LVL3	00	RO
16-1F	-reserved-	00	—

Offset	General Purpose Registers	Default	Acc
21-20	General Purpose Status	0000	WC
23-22	General Purpose SCI Enable	0000	RW
25-24	General Purpose SMI Enable	0000	RW
26-27	-reserved-	00	—

Offset	Generic Registers	Default	Acc
29-28	Global Status	0000	WC
2B-2A	Global Enable	0000	RW
2D-2C	Global Control	0010	RW
2E	-reserved-	00	—
2F	SMI Command	00	RW
33-30	Primary Activity Detect Status	0000 0000	WC
37-34	Primary Activity Detect Enable	0000 0000	RW
3B-38	GP Timer Reload Enable	0000 0000	RW
3C-3F	-reserved-	00	—

Offset	General Purpose I/O Registers	Default	Acc
40	Extended I/O Trap Status	00	WC
41	-reserved-	00	—
42	Extended I/O Trap Enable	00	RW
43	-reserved-	00	—
44	External SMI / GPI Input Value	input	RO
45	SMI / IRQ / Resume Status	00	RO
46-47	-reserved-	00	—
4B-48	GPI Port Input Value	input	RO
4F-4C	GPO Port Output Value	03FF FFFF	RW
50-5F	-reserved-	00	—

I/O Space System Management Bus Registers

Offset	System Management Bus	Default	Acc
0	SMBus Host Status	00	WC
1	SMBus Slave Status	00	RW
2	SMBus Host Control	00	RW
3	SMBus Host Command	00	RW
4	SMBus Host Address	00	RW
5	SMBus Host Data 0	00	RW
6	SMBus Host Data 1	00	RW
7	SMBus Block Data	00	RW
8	SMBus Slave Control	00	RW
9	SMBus Shadow Command	00	RO
A-B	SMBus Slave Event	0000	RW
C-D	SMBus Slave Data	0000	RO
E-F	-reserved-	00	—

I/O Space Hardware Monitor Registers

Offset	Hardware Monitor	Default	Acc
00-3F	<u>Value RAM</u>		
00-12	-reserved-	00	—
13	Analog Data 15-8	00	RW
14	Analog Data 7-0	00	RW
15	Digital Data 7-0	00	RW
16	Channel Counter	00	RW
17	Data Valid & Channel Indicators	00	RW
18-1C	-reserved-	00	—
1D	TSENS3 Hot Hi Limit	00	RW
1E	TSENS3 Hot Hysteresis Lo Lim	00	RW
1F	TSENS3 (Int) Temp Reading	00	RW
20	TSENS1 (W13) Temp Reading	00	RW
21	TSENS2 (Y13) Temp Reading	00	RW
22	VSENS1 (U13) Voltage Reading	00	RW
23	VSENS2 (V13) Voltage Reading	00	RW
24	Internal Core VCC Voltage Reading	00	RW
25	VSENS3 (W14) Voltage Reading	00	RW
26	VSENS4 (Y14) Voltage Reading	00	RW
27	-reserved- (-12V Voltage Reading)	00	—
28	-reserved- (-5V Voltage Reading)	00	—
29	FAN1 (T12) Count Reading	00	RW
2A	FAN2 (U12) Count Reading	00	RW
2B	VSENS1 (CPU) Voltage High Limit	00	RW
2C	VSENS1 (CPU) Voltage Low Limit	00	RW
2D	VSENS2 (NB) Voltage High Limit	00	RW
2E	VSENS2 (NB) Voltage Low Limit	00	RW
2F	Internal Core VCC High Limit	00	RW
30	Internal Core VCC Low Limit	00	RW
31	VSENS3 (5V) Voltage High Limit	00	RW
32	VSENS3 (5V) Voltage Low Limit	00	RW
33	VSENS4 (12V) Voltage High Limit	00	RW
34	VSENS4 (12V) Voltage Low Limit	00	RW
35	-reserved- (-12V Sense High Limit)	00	—
36	-reserved- (-12V Sense Low Limit)	00	—
37	-reserved- (-5V Sense High Limit)	00	—
38	-reserved- (-5V Sense Low Limit)	00	—
39	TSENS1 Hot High Limit	00	RW
3A	TSENS1 Hot Hysteresis Lo Lim	00	RW
3B	FAN1 Fan Count Limit	00	RW
3C	FAN2 Fan Count Limit	00	RW
3D	TSENS2 Hot High Limit	00	RW
3E	TSENS2 Hot Hysteresis Lo Lim	00	RW
3F	Stepping ID Number	00	RW

Offset	Hardware Monitor (continued)	Default	Acc
40	Hardware Monitor Configuration	08	RW
41	Hardware Monitor Interrupt Status 1	00	RO
42	Hardware Monitor Interrupt Status 2	00	RO
43	Hardware Monitor Interrupt Mask 1	00	RW
44	Hardware Monitor Interrupt Mask 2	00	RW
45-46	-reserved-	00	—
47	Hardware Monitor Fan Configuration	50	RW
48	-reserved-	00	—
49	HW Mon Temp Value Lo-Order Bits	00	RW
4A	-reserved-	00	—
4B	Temperature Interrupt Configuration	15	RW
4C-FF	-reserved-	00	—

PCI Function 5 & 6 Registers – AC97 / MC97 Codecs
Function 5 Configuration Space AC97 Header Registers

Offset	PCI Configuration Space Header	Default	Acc
1-0	Vendor ID	1106	RO
3-2	Device ID	3058	RO
5-4	Command	0000	RW
7-6	Status	0210	WC
8	Revision ID	nn	RO
9	Programming Interface	00	RO
A	Sub Class Code	01	RO
B	Base Class Code	04	RO
C	Cache Line Size	00	RO
D	Latency Timer	00	RW
E	Header Type	00	RO
F	BIST	00	RO
13-10	Base Address 0 - SGD Control/Status	0000 0001	RW
17-14	Base Address 1 - FM NMI Status	0000 0001	RW
1B-18	Base Address 2 - MIDI Port	0000 0000	RW
1F-1C	Base Address 3 (reserved)	0000 0000	—
23-20	Base Address 4 (reserved)	0000 0000	—
27-24	Base Address 5 (reserved)	0000 0000	—
28-29	-reserved-	00	—
2F-2C	Subsys ID / SubVendor ID	0000 0000	RW
33-30	Expansion ROM (reserved)	0000 0000	—
34	Capture Pointer	00	RW
35-3B	-reserved-	00	—
3C	Interrupt Line	00	RW
3D	Interrupt Pin	03	RO
3E-3F	-reserved-	00	—

Configuration Space Audio Codec-Specific Registers

Offset	Audio Codec Link Control	Default	Acc
40	AC-Link Interface Status	00	RO
41	AC-Link Interface Control	00	RW
42	Function Enable	00	RW
43	Plug and Play Control	1C	RW
44	MC97 Interface Control	00	RO
45-47	-reserved-	00	—
48	FM NMI Control	00	RO
49	-reserved-	00	—
4B-4A	Game Port Base Address	0000	RW
4C-FF	-reserved-	00	—

Note that these registers are the same as function 6 except for offset 44 (Read / Write in function 6)

Function 6 Configuration Space MC97 Header Registers

Offset	PCI Configuration Space Header	Default	Acc
1-0	Vendor ID	1106	RO
3-2	Device ID	3068	RO
5-4	Command	0000	RW
7-6	Status	0200	WC
8	Revision ID	nn	RO
9	Programming Interface	00	RO
A	Sub Class Code	80	RO
B	Base Class Code	07	RO
C	Cache Line Size	00	RO
D	Latency Timer	00	RW
E	Header Type	00	RO
F	BIST	00	RO
13-10	Base Address 0 - SGD Control/Status	0000 0001	RW
17-14	Base Address 1 - FM NMI Status	0000 0001	RW
1B-18	Base Address 2 - MIDI Port	0000 0000	RW
1F-1C	Base Address 3 (reserved)	0000 0000	—
23-20	Base Address 4 (reserved)	0000 0000	—
27-24	Base Address 5 (reserved)	0000 0000	—
28-29	-reserved-	00	—
2F-2C	Subsys ID / SubVendor ID	0000 0000	RW
33-30	Expansion ROM (reserved)	0000 0000	—
34	Capture Pointer	00	RW
35-3B	-reserved-	00	—
3C	Interrupt Line	00	RW
3D	Interrupt Pin	03	RO
3E-3F	-reserved-	00	—

Configuration Space Modem Codec-Specific Registers

Offset	Modem Codec Link Control	Default	Acc
40	AC-Link Interface Status	00	RO
41	AC-Link Interface Control	00	RW
42	Function Enable	00	RW
43	Plug and Play Control	1C	RW
44	MC97 Interface Control	00	RW
45-47	-reserved-	00	—
48	FM NMI Control	00	RO
49	-reserved-	00	—
4B-4A	Game Port Base Address	0000	RO
4C-FF	-reserved-	00	—

Note that these registers are the same as function 5 except for offset 44 (Read Only in function 5)

Function 5 I/O Base 0 Registers – AC97 Audio S/G DMA

Offset	AC97 SGD I/O Registers	Default	Acc
0	SGD Read Channel Status	00	WC
1	SGD Read Channel Control	00	RW
2	SGD Read Channel Type	00	RW
3	-reserved-	00	—
7-4	SGD Read Chan Table Pointer Base SGD Read Channel Current Address	0000 0000	WR RD
B-8	Reserved (Test)	0000 0000	RO
F-C	SGD Read Chan Current Count	0000 0000	RO
10	SGD Write Channel Status	00	WC
11	SGD Write Channel Control	00	RW
12	SGD Write Channel Type	00	RW
13	-reserved-	00	—
17-14	SGD Write Chan Table Pointer Base SGD Write Channel Current Address	0000 0000	WR RD
1B-18	Reserved (Test)	0000 0000	RO
1F-1C	SGD Write Channel Current Count	0000 0000	RO
20	SGD FM Channel Status	00	WC
21	SGD FM Channel Control	00	RW
22	SGD FM Type	00	RW
23	-reserved-	00	—
27-24	SGD FM Channel Table Pointer Base SGD FM Channel Current Address	0000 0000	WR RD
2B-28	Reserved (Test)	0000 0000	RO
2F-2C	SGD FM Channel Current Count	0000 0000	RO
30-7F	-reserved-	00	—
Offset	AC97 / Audio Codec I/O Registers	Default	Acc
83-80	AC97 Controller Command / Status	0000 0000	RW
87-84	SGD Status Shadow	0000 0000	RO
88-FF	-reserved-	00	—

Function 5 I/O Base 1 Registers – FM NMI Status

Offset	FM NMI Status Registers	Default	Acc
0	FM NMI Status	00	RO
1	FM NMI Data	00	RO
2	FM NMI Index	00	RO
3	-reserved-	00	—

Function 5 I/O Base 2 Registers – MIDI / Game Port

Offset	FM NMI Status Registers	Default	Acc
1-0	MIDI Port Base	0330	RW
3-2	Game Port Base	0200	RW

Function 6 I/O Base 0 Registers – MC97 Modem S/G DMA

Offset	MC97 SGD I/O Registers	Default	Acc
40	SGD Read Channel Status	00	WC
41	SGD Read Channel Control	00	RW
42	SGD Read Channel Type	00	RW
43	-reserved-	00	—
47-44	SGD Read Chan Table Pointer Base SGD Read Channel Current Address	0000 0000	WR RD
4B-48	-reserved- (Test)	0000 0000	RO
4F-4C	SGD Read Chan Current Count	0000 0000	RO
50	SGD Write Channel Status	00	WC
51	SGD Write Channel Control	00	RW
52	SGD Write Channel Type	00	RW
53	-reserved-	00	—
57-54	SGD Write Chan Table Pointer Base SGD Write Channel Current Address	0000 0000	WR RD
5B-58	Reserved (Test)	0000 0000	RO
5F-5C	SGD Write Channel Current Count	0000 0000	RO
60-7F	-reserved-	00	—
Offset	AC97 / Modem Codec I/O Registers	Default	Acc
83-80	AC97 Controller Command / Status	0000 0000	RW
87-84	SGD Status Shadow	0000 0000	RO
8B-88	Modem Codec GPI Intr Status / GPIO	0000 0000	WC
8F-8C	Modem Codec GPI Interrupt Enable	0000 0000	RW
90-FF	-reserved-	00	—

I/O Registers – SoundBlaster Pro

Offset	SB Pro Registers (220 or 240h typ)	Default	Acc
0	FM Left Channel Index / Status		RW
1	FM Left Channel Data		WO
2	FM Right Channel Index / Status		RW
3	FM Right Channel Data		WO
4	Mixer Index		WO
5	Mixer Data		RW
6	Sound Processor Reset		WO
7	-reserved-	00	--
8	FM Index / Status (Both Channels)		RW
9	FM Data (Both Channels)		WO
A	Sound Processor Data		RO
B	-reserved-	00	--
C	Sound Processor Command / Data Sound Processor Buffer Status		WR RD
D	-reserved-	00	--
E	Snd Processor Data Available Status		RO
F	-reserved-	00	--

Port	SB Pro Regs (same as offsets 8 & 9)	Default	Acc
388h	FM Index / Status		RW
389h	FM Data		WO

The above group of registers emulates the “FM”, “Mixer”, and “Sound Processor” functions of the SoundBlaster Pro.

I/O Registers – Game Port

Offset	Game Port (200-20F typical)	Default	Acc
0	-reserved-	00	--
1	Game Port Status		RO
1	Start One-Shot		WO
2-F	-reserved-	00	--

Register Descriptions

Legacy I/O Ports

This group of registers includes the DMA Controllers, Interrupt Controllers, and Timer/Counters as well as a number of miscellaneous ports originally implemented using discrete logic on original PC/AT motherboards. All of the registers listed are integrated on-chip. These registers are implemented in a precise manner for backwards compatibility with previous generations of PC hardware. These registers are listed for information purposes only. Detailed descriptions of the actions and programming of these registers are included in numerous industry publications (duplication of that information here is beyond the scope of this document). All of these registers reside in I/O space.

Port 61 - Misc Functions & Speaker Control..... RW

- 7 **Reserved** always reads 0
- 6 **IOCHCK# Active**RO
This bit is set when the ISA bus IOCHCK# signal is asserted. Once set, this bit may be cleared by setting bit-3 of this register. Bit-3 should be cleared to enable recording of the next IOCHCK#. IOCHCK# generates NMI to the CPU if NMI is enabled.
- 5 **Timer/Counter 2 Output**.....RO
This bit reflects the output of Timer/Counter 2 without any synchronization.
- 4 **Refresh Detected**.....RO
This bit toggles on every rising edge of the ISA bus REFRESH# signal.
- 3 **IOCHCK# Disable**.....RW
0 Enable IOCHCK# assertions default
1 Force IOCHCK# inactive and clear any "IOCHCK# Active" condition in bit-6
- 2 **Reserved**RW, default=0
- 1 **Speaker Enable**.....RW
0 Disable..... default
1 Enable Timer/Ctr 2 output to drive SPKR pin
- 0 **Timer/Counter 2 Enable**RW
0 Disable..... default
1 Enable Timer/Counter 2

Port 92h - System Control..... RW

- 7-6 **Hard Disk Activity LED Status**
0 Off default
1-3 On
- 5-4 **Reserved** always reads 0
- 3 **Power-On Password Bytes Inaccessible** ..default=0
- 2 **Reserved** always reads 0
- 1 **A20 Address Line Enable**
0 A20 disable / forced 0 (real mode) default
1 A20 address line enable
- 0 **High Speed Reset**
0 Normal
1 Briefly pulse system reset to switch from protected mode to real mode

Keyboard Controller Registers

The keyboard controller handles the keyboard and mouse interfaces. Two ports are used: port 60 and port 64. Reads from port 64 return a status byte. Writes to port 64h are command codes (see command code list following the register descriptions). Input and output data is transferred via port 60.

A “Control” register is also available. It is accessible by writing commands 20h / 60h to the command port (port 64h); The control byte is written by first sending 60h to the command port, then sending the control byte value. The control register may be read by sending a command of 20h to port 64h, waiting for “Output Buffer Full” status = 1, then reading the control byte value from port 60h.

Traditional (non-integrated) keyboard controllers have an “Input Port” and an “Output Port” with specific pins dedicated to certain functions and other pins available for general purpose I/O. Specific commands are provided to set these pins high and low. All outputs are “open-collector” so to allow input on one of these pins, the output value for that pin would be set high (non-driving) and the desired input value read on the input port. These ports are defined as follows:

Bit	Input Port	Lo Code	Hi Code
0	P10 - Keyboard Data In	B0	B8
1	P11 - Mouse Data In	B1	B9
2	P12 - Turbo Pin (PS/2 mode only)	B2	BA
3	P13 - user-defined	B3	BB
4	P14 - user-defined	B6	BE
5	P15 - user-defined	B7	BF
6	P16 - user-defined	-	-
7	P17 - undefined	-	-

Bit	Output Port	Lo Code	Hi Code
0	P20 - SYSRST (1=execute reset)	-	-
1	P21 - GATEA20 (1=A20 enabled)	-	-
2	P22 - Mouse Data Out	B4	BC
3	P23 - Mouse Clock Out	B5	BD
4	P24 - Keyboard OBF Interrupt (IRQ1)	-	-
5	P25 - Mouse OBF Interrupt (IRQ 12)	-	-
6	P26 - Keyboard Clock Out	-	-
7	P27 - Keyboard Data Out	-	-

Bit	Test Port	Lo Code	Hi Code
0	T0 - Keyboard Clock In	-	-
1	T1 - Mouse Clock In	-	-

Note: Command code C0h transfers input port data to the output buffer. Command code D0h copies output port values to the output buffer. Command code E0h transfers test input port data to the output buffer.

Port 60 - Keyboard Controller Input Buffer WO

Only write to port 60h if port 64h bit-1 = 0 (1=full).

Port 60 - Keyboard Controller Output BufferRO

Only read from port 60h if port 64h bit-0 = 1 (0=empty).

Port 64 - Keyboard / Mouse Status RO

- 7 Parity Error**
 - 0 No parity error (odd parity received)..... default
 - 1 Even parity occurred on last byte received from keyboard / mouse
- 6 General Receive / Transmit Timeout**
 - 0 No error default
 - 1 Error
- 5 Mouse Output Buffer Full**
 - 0 Mouse output buffer empty..... default
 - 1 Mouse output buffer holds mouse data
- 4 Keylock Status**
 - 0 Locked
 - 1 Free
- 3 Command / Data**
 - 0 Last write was data write default
 - 1 Last write was command write
- 2 System Flag**
 - 0 Power-On Default default
 - 1 Self Test Successful
- 1 Input Buffer Full**
 - 0 Input Buffer Empty default
 - 1 Input Buffer Full
- 0 Keyboard Output Buffer Full**
 - 0 Keyboard Output Buffer Empty..... default
 - 1 Keyboard Output Buffer Full

KBC Control Register(R/W via Commands 20h/60h)

- 7 Reserved**always reads 0
- 6 PC Compatibility**
 - 0 Disable scan conversion
 - 1 Convert scan codes to PC format; convert 2-byte break sequences to 1-byte PC-compatible break codes default
- 5 Mouse Disable**
 - 0 Enable Mouse Interface default
 - 1 Disable Mouse Interface
- 4 Keyboard Disable**
 - 0 Enable Keyboard Interface default
 - 1 Disable Keyboard Interface
- 3 Reserved**always reads 0
- 2 System Flag**default=0
This bit may be read back as status register bit-2
- 1 Mouse Interrupt Enable**
 - 0 Disable mouse interrupts default
 - 1 Generate interrupt on IRQ12 when mouse data comes in output bufer
- 0 Keyboard Interrupt Enable**
 - 0 Disable Keyboard Interrupts..... default
 - 1 Generate interrupt on IRQ1 when output buffer has been written.

Port 64 - Keyboard / Mouse Command..... WO

This port is used to send commands to the keyboard / mouse controller. The command codes recognized by the VT82C686B are listed in the table below.

Note: The VT82C686B Keyboard Controller is compatible with the VIA VT82C42 Industry-Standard Keyboard Controller except that due to its integrated nature, many of the input and output port pins are not available externally for use as general purpose I/O pins (even though P13-P16 are set on power-up as strapping options). In other words, many of the commands below are provided and “work”, but otherwise perform no useful function (e.g., commands that set P12-P17 high or low). Also note that setting P10-11, P22-23, P26-27, and T0-1 high or low directly serves no useful purpose, since these bits are used to implement the keyboard and mouse ports and are directly controlled by keyboard controller logic.

Table 4. Keyboard Controller Command Codes

<u>Code</u>	<u>Keyboard Command Code Description</u>	<u>Code</u>	<u>Keyboard Command Code Description</u>
20h	Read Control Byte (next byte is Control Byte)	C0h	Read input port (read P10-17 input data to the output buffer)
21-3Fh	Read SRAM Data (next byte is Data Byte)	C1h	Poll input port low (read input data on P11-13 repeatedly & put in bits 5-7 of status)
60h	Write Control Byte (next byte is Control Byte)	C2h	Poll input port high (same except P15-17)
61-7Fh	Write SRAM Data (next byte is Data Byte)	C8h	Unblock P22-23 (use before D1 to change active mode)
9xh	Write low nibble (bits 0-3) to P10-P13	C9h	Reblock P22-23 (protection mechanism for D1)
A1h	Output Keyboard Controller Version #	CAh	Read mode (output KBC mode info to port 60 output buffer (bit-0=0 if ISA, 1 if PS/2))
A4h	Test if Password is installed (always returns F1h to indicate not installed)	D0h	Read Output Port (copy P10-17 output port values to port 60)
A7h	Disable Mouse Interface	D1h	Write Output Port (data byte following is written to keyboard output port as if it came from keyboard)
A8h	Enable Mouse Interface	D2h	Write Keyboard Output Buffer & clear status bit-5 (write following byte to keyboard)
A9h	Mouse Interface Test (puts test results in port 60h) (value: 0=OK, 1=clk stuck low, 2=clk stuck high, 3=data stuck lo, 4=data stuck hi, FF=general error)	D3h	Write Mouse Output Buffer & set status bit-5 (write following byte to mouse; put value in mouse input buffer so it appears to have come from the mouse)
AAh	KBC self test (returns 55h if OK, FCh if not)	D4h	Write Mouse (write following byte to mouse)
ABh	Keyboard Interface Test (see A9h Mouse Test)	E0h	Read test inputs (T0-1 read to bits 0-1 of resp byte)
ADh	Disable Keyboard Interface	Exh	Set P23-P21 per command bits 3-1
AEh	Enable Keyboard Interface	Fxh	Pulse P23-P20 low for 6usec per command bits 3-0
AFh	Return Version #		
B0h	Set P10 low		
B1h	Set P11 low		
B2h	Set P12 low		
B3h	Set P13 low		
B4h	Set P22 low		
B5h	Set P23 low		
B6h	Set P14 low		
B7h	Set P15 low		
B8h	Set P10 high		
B9h	Set P11 high		
BAh	Set P12 high		
BBh	Set P13 high		
BCh	Set P22 high		
BDh	Set P23 high		
BEh	Set P14 high		
BFh	Set P15 high		

All other codes not listed are undefined.

DMA Controller I/O Registers

Ports 00-0F - Master DMA Controller

Channels 0-3 of the Master DMA Controller control System DMA Channels 0-3. There are 16 Master DMA Controller registers:

<u>I/O Address Bits 15-0</u>	<u>Register Name</u>	
0000 0000 000x 0000	Ch 0 Base / Current Address	RW
0000 0000 000x 0001	Ch 0 Base / Current Count	RW
0000 0000 000x 0010	Ch 1 Base / Current Address	RW
0000 0000 000x 0011	Ch 1 Base / Current Count	RW
0000 0000 000x 0100	Ch 2 Base / Current Address	RW
0000 0000 000x 0101	Ch 2 Base / Current Count	RW
0000 0000 000x 0110	Ch 3 Base / Current Address	RW
0000 0000 000x 0111	Ch 3 Base / Current Count	RW
0000 0000 000x 1000	Status / Command	RW
0000 0000 000x 1001	Write Request	WO
0000 0000 000x 1010	Write Single Mask	WO
0000 0000 000x 1011	Write Mode	WO
0000 0000 000x 1100	Clear Byte Pointer F/F	WO
0000 0000 000x 1101	Master Clear	WO
0000 0000 000x 1110	Clear Mask	WO
0000 0000 000x 1111	R/W All Mask Bits	RW

Ports C0-DF - Slave DMA Controller

Channels 0-3 of the Slave DMA Controller control System DMA Channels 4-7. There are 16 Slave DMA Controller registers:

<u>I/O Address Bits 15-0</u>	<u>Register Name</u>	
0000 0000 1100 000x	Ch 4 Base / Current Address	RW
0000 0000 1100 001x	Ch 4 Base / Current Count	RW
0000 0000 1100 010x	Ch 5 Base / Current Address	RW
0000 0000 1100 011x	Ch 5 Base / Current Count	RW
0000 0000 1100 100x	Ch 6 Base / Current Address	RW
0000 0000 1100 101x	Ch 6 Base / Current Count	RW
0000 0000 1100 110x	Ch 7 Base / Current Address	RW
0000 0000 1100 111x	Ch 7 Base / Current Count	RW
0000 0000 1101 000x	Status / Command	RW
0000 0000 1101 001x	Write Request	WO
0000 0000 1101 010x	Write Single Mask	WO
0000 0000 1101 011x	Write Mode	WO
0000 0000 1101 100x	Clear Byte Pointer F/F	WO
0000 0000 1101 101x	Master Clear	WO
0000 0000 1101 110x	Clear Mask	WO
0000 0000 1101 111x	Read/Write All Mask Bits	WO

Note that not all bits of the address are decoded.

The Master and Slave DMA Controllers are compatible with the Intel 8237 DMA Controller chip. Detailed description of 8237 DMA controller operation can be obtained from the Intel Peripheral Components Data Book and numerous other industry publications.

Ports 80-8F - DMA Page Registers

There are eight DMA Page Registers, one for each DMA channel. These registers provide bits 16-23 of the 24-bit address for each DMA channel (bits 0-15 are stored in registers in the Master and Slave DMA Controllers). They are located at the following I/O Port addresses:

<u>I/O Address Bits 15-0</u>	<u>Register Name</u>	
0000 0000 1000 0111	Channel 0 DMA Page (M-0).....	RW
0000 0000 1000 0011	Channel 1 DMA Page (M-1).....	RW
0000 0000 1000 0001	Channel 2 DMA Page (M-2).....	RW
0000 0000 1000 0010	Channel 3 DMA Page (M-3).....	RW
0000 0000 1000 1111	Channel 4 DMA Page (S-0)	RW
0000 0000 1000 1011	Channel 5 DMA Page (S-1)	RW
0000 0000 1000 1001	Channel 6 DMA Page (S-2)	RW
0000 0000 1000 1010	Channel 7 DMA Page (S-3)	RW

DMA Controller Shadow Registers

The DMA Controller shadow registers are enabled by setting function 0 Rx77 bit 0. If the shadow registers are enabled, they are read back at the indicated I/O port instead of the standard DMA controller registers (writes are unchanged).

- Port 0 –Channel 0 Base Address RO**
- Port 1 –Channel 0 Byte Count RO**
- Port 2 –Channel 1 Base Address RO**
- Port 3 –Channel 1 Byte Count RO**
- Port 4 –Channel 2 Base Address RO**
- Port 5 –Channel 2 Byte Count RO**
- Port 6 –Channel 3 Base Address RO**
- Port 7 –Channel 3 Byte Count RO**
- Port 8 –1st Read Channel 0-3 Command Register RO**
- Port 8 –2nd Read Channel 0-3 Request Register RO**
- Port 8 –3rd Read Channel 0 Mode Register RO**
- Port 8 –4th Read Channel 1 Mode Register RO**
- Port 8 –5th Read Channel 2 Mode Register RO**
- Port 8 –6th Read Channel 3 Mode Register RO**
- Port F –Channel 0-3 Read All Mask RO**
- Port C4 –Channel 5 Base Address RO**
- Port C6 –Channel 5 Byte Count RO**
- Port C8 –Channel 6 Base Address RO**
- Port CA –Channel 6 Byte Count RO**
- Port CC –Channel 7 Base Address RO**
- Port CE –Channel 7 Byte Count RO**
- Port D0 –1st Read Channel 4-7 Command Register RO**
- Port D0 –2nd Read Channel 4-7 Request Register RO**
- Port D0 –3rd Read Channel 4 Mode Register RO**
- Port D0 –4th Read Channel 5 Mode Register RO**
- Port D0 –5th Read Channel 6 Mode Register RO**
- Port D0 –6th Read Channel 7 Mode Register RO**
- Port DE –Channel 4-7 Read All Mask RO**

Interrupt Controller Registers

Ports 20-21 - Master Interrupt Controller

The Master Interrupt Controller controls system interrupt channels 0-7. Two registers control the Master Interrupt Controller. They are:

<u>I/O Address Bits 15-0</u>	<u>Register Name</u>	
0000 0000 001x xxx0	Master Interrupt Control	RW
0000 0000 001x xxx1	Master Interrupt Mask	RW

Note that not all bits of the address are decoded.

The Master Interrupt Controller is compatible with the Intel 8259 Interrupt Controller chip. Detailed descriptions of 8259 Interrupt Controller operation can be obtained from the Intel Peripheral Components Data Book and numerous other industry publications.

Ports A0-A1 - Slave Interrupt Controller

The Slave Interrupt Controller controls system interrupt channels 8-15. The slave system interrupt controller also occupies two register locations:

<u>I/O Address Bits 15-0</u>	<u>Register Name</u>	
0000 0000 101x xxx0	Slave Interrupt Control	RW
0000 0000 101x xxx1	Slave Interrupt Mask	RW

Note that not all address bits are decoded.

The Slave Interrupt Controller is compatible with the Intel 8259 Interrupt Controller chip. Detailed descriptions of 8259 Interrupt Controller operation can be obtained from the Intel Peripheral Components Data Book and numerous other industry publications.

Interrupt Controller Shadow Registers

The following shadow registers are enabled by setting function 0 Rx47[4]. If the shadow registers are enabled, they are read back at the indicated I/O port instead of the standard interrupt controller registers (writes are unchanged).

<u>Port 20 - Master Interrupt Control Shadow</u>		RO
<u>Port A0 - Slave Interrupt Control Shadow</u>		RO
7	Reserved	always reads 0
6	OCW3 bit 2 (POLL)	
5	OCW3 bit 0 (RIS)	
4	OCW3 bit 5 (SMM)	
3	OCW2 bit 7 (R)	
2	ICW4 bit 4 (SFNM)	
1	ICW4 bit 1 (AEOI)	
0	ICW1 bit 3 (LTIM)	

Port 21 - Master Interrupt Mask Shadow

<u>Port A1 - Slave Interrupt Mask Shadow</u>		RO
7-5	Reserved	always reads 0
4-0	T7-T3 of Interrupt Vector Address	

Timer / Counter Registers

Ports 40-43 - Timer / Counter Registers

There are 4 Timer / Counter registers:

<u>I/O Address Bits 15-0</u>	<u>Register Name</u>	
0000 0000 010x xx00	Timer / Counter 0 Count	RW
0000 0000 010x xx01	Timer / Counter 1 Count	RW
0000 0000 010x xx10	Timer / Counter 2 Count	RW
0000 0000 010x xx11	Timer / Counter Cmd Mode	WO

Note that not all bits of the address are decoded.

The Timer / Counters are compatible with the Intel 8254 Timer / Counter chip. Detailed descriptions of 8254 Timer / Counter operation can be obtained from the Intel Peripheral Components Data Book and numerous other industry publications.

Timer / Counter Shadow Registers

The following shadow registers are enabled for readback by setting function 0 Rx47[4]. If the shadow registers are enabled, they are read back at the indicated I/O port instead of the standard timer / counter registers (writes are unchanged).

<u>Port 40 – Counter 0 Base Count Value (LSB 1st MSB 2nd)</u>		RO
<u>Port 41 – Counter 1 Base Count Value (LSB 1st MSB 2nd)</u>		RO
<u>Port 42 – Counter 2 Base Count Value (LSB 1st MSB 2nd)</u>		RO

CMOS / RTC Registers

Port 70 - CMOS Address.....RW

- 7 **NMI Disable..... RW**
 - 0 Enable NMI Generation. NMI is asserted on encountering IOCHCK# on the ISA bus or SERR# on the PCI bus.
 - 1 Disable NMI Generationdefault
- 6-0 **CMOS Address (lower 128 bytes)..... RW**

Port 71 - CMOS Data.....RW

7-0 CMOS Data (128 bytes)

Note: Ports 70-71 may be accessed if Rx5A bit-2 is set to one to select the internal RTC. If Rx5A bit-2 is set to zero, accesses to ports 70-71 will be directed to an external RTC.

Port 72 - CMOS Address.....RW

7-0 CMOS Address (256 bytes)..... RW

Port 73 - CMOS Data.....RW

7-0 CMOS Data (256 bytes)

Note: Ports 72-73 may be accessed if Rx5A bit-2 is set to one to select the internal RTC. If Rx5A bit-2 is set to zero, accesses to ports 72-73 will be directed to an external RTC.

Port 74 - CMOS Address.....RW

7-0 CMOS Address (256 bytes)..... RW

Port 75 - CMOS Data.....RW

7-0 CMOS Data (256 bytes)

Note: Ports 74-75 may be accessed only if Function 0 Rx5B bit-1 is set to one to enable the internal RTC SRAM and if Rx48 bit-3 (Port 74/75 Access Enable) is set to one to enable port 74/75 access.

Note: Ports 70-71 are compatible with PC industry-standards and may be used to access the lower 128 bytes of the 256-byte on-chip CMOS RAM. Ports 72-73 may be used to access the full extended 256-byte space. Ports 74-75 may be used to access the full on-chip extended 256-byte space in cases where the on-chip RTC is disabled.

Note: The system Real Time Clock (RTC) is part of the “CMOS” block. The RTC control registers are located at specific offsets in the CMOS data area (0-0Dh and 7D-7Fh). Detailed descriptions of CMOS / RTC operation and programming can be obtained from the VIA VT82887 Data Book or numerous other industry publications. For reference, the definition of the RTC register locations and bits are summarized in the following table:

Offset	Description	Binary Range	BCD Range
00	Seconds	00-3Bh	00-59h
01	Seconds Alarm	00-3Bh	00-59h
02	Minutes	00-3Bh	00-59h
03	Minutes Alarm	00-3Bh	00-59h
04	Hours	am 12hr: 01-1Ch pm 12hr: 81-8Ch 24hr: 00-17h	01-12h 81-92h 00-23h
05	Hours Alarm	am 12hr: 01-1Ch pm 12hr: 81-8Ch 24hr: 00-17h	01-12h 81-92h 00-23h
06	Day of the Week	Sun=1: 01-07h	01-07h
07	Day of the Month	01-1Fh	01-31h
08	Month	01-0Ch	01-12h
09	Year	00-63h	00-99h

0A Register A

- 7 **UIP** Update In Progress
- 6-4 **DV2-0** Divide (010=ena osc & keep time)
- 3-0 **RS3-0** Rate Select for Periodic Interrupt

0B Register B

- 7 **SET** Inhibit Update Transfers
- 6 **PIE** Periodic Interrupt Enable
- 5 **AIE** Alarm Interrupt Enable
- 4 **UIE** Update Ended Interrupt Enable
- 3 **SQWE** No function (read/write bit)
- 2 **DM** Data Mode (0=BCD, 1=binary)
- 1 **24/12** Hours Byte Format (0=12, 1=24)
- 0 **DSE** Daylight Savings Enable

0C Register C

- 7 **IRQF** Interrupt Request Flag
- 6 **PF** Periodic Interrupt Flag
- 5 **AF** Alarm Interrupt Flag
- 4 **UF** Update Ended Flag
- 3-0 **0** Unused (always read 0)

0D Register D

- 7 **VRT** Reads 1 if VBAT voltage is OK
- 6-0 **0** Unused (always read 0)

0E-7C Software-Defined Storage Registers (111 Bytes)

Offset	Extended Functions	Binary Range	BCD Range
7D	Date Alarm	01-1Fh	01-31h
7E	Month Alarm	01-0Ch	01-12h
7F	Century Field	13-14h	19-20h

80-FF Software-Defined Storage Registers (128 Bytes)

Table 5. CMOS Register Summary

Super-I/O Configuration Index / Data Registers

Super-I/O configuration registers are accessed by performing I/O operations to / from an index / data pair of registers in system I/O space at port addresses 3F0h and 3F1h. The configuration registers accessed using this mechanism are used to configure the Super-I/O registers (parallel port, serial ports, IR port, and floppy controller).

Super I/O configuration is accomplished in three steps:

- 1) Enter configuration mode (set Function 0 Rx85[1] = 1)
- 2) Configure the chip
 - a) Write index to port 3F0
 - b) Read / write data from / to port 3F1
 - c) Repeat a and b for all desired registers
- 3) Exit configuration mode (set Function 0 Rx85[1] = 0)

Port 3F0h – Super-I/O Configuration Index.....RW

7-0 Index value

Function 0 PCI configuration space register Rx85[1] must be set to 1 to enable access to the Super-I/O configuration registers.

Port 3F1h – Super-I/O Configuration Data.....RW

7-0 Data value

This register shares a port with the Floppy Status Port (which is read only). This port is accessible only when Rx85[1] is set to 1 (the floppy status port is accessed if Rx85[1] = 0).

Super-I/O Configuration Registers

These registers are accessed via the port 3F0 / 3F1 index / data register pair using the indicated index values below

Index E0 – Super-I/O Device ID (3Ch)..... RO

7-0 Super-I/O ID default = 3Ch

Index E1 – Super-I/O Device Revision (00h)..... RO

7-0 Super-I/O Revision Code default = 0

Index E2 – Super-I/O Function Select (03h)..... RW

7-5 Reserved always reads 0

4 Floppy Controller Enable

0 Disable..... default
1 Enable

3 Serial Port 2 Enable

0 Disable..... default
1 Enable

2 Serial Port 1 Enable

0 Disable..... default
1 Enable

1-0 Parallel Port Mode / Enable

00 Unidirectional mode
01 ECP
10 EPP
11 Parallel Port Disable default

Index E3 – Floppy Controller I/O Base Address (00h).. RW

7-2 I/O Address 9-4..... default = 0

1-0 Must be 0 default = 0

Index E6 – Parallel Port I/O Base Address (00h)..... RW

7-0 I/O Address 9-2..... default = 0

If EPP is not enabled, the parallel port can be set to 192 locations on 4-byte boundaries from 100h to 3FCh. If EPP is enabled, the parallel port can be set to 96 locations on 8-byte boundaries from 100h to 3F8h.

Index E7 – Serial Port 1 I/O Base Address (00h)..... RW

7-1 I/O Address 9-3..... default = 0

0 Must be 0 default = 0

Index E8 – Serial Port 2 I/O Base Address (00h)..... RW

7-1 I/O Address 9-3..... default = 0

0 Must be 0 default = 0

Index EE – Serial Port Configuration (00h)RW

- 7 Serial Port 2 High Speed Enable**
 - 0 Disabledefault
 - 1 Enable
- 6 Serial Port 1 High Speed Enable**
 - 0 Disabledefault
 - 1 Enable
- 5-3 Serial Port 2 Mode**
 - 000 Standarddefault
 - 001 IrDA (HIPSIR)
 - 010 Amplitude shift keyed IR @ 500KHz
 - 011 -reserved-
 - 1xx -reserved-
- 2 Serial Port 2 Half Duplex**
 - 0 Disabledefault
 - 1 Enable
- 1 Serial Port 2 TX Output Inversion**
 - 0 Disabledefault
 - 1 Enable
- 0 Serial Port 2 RX Input Inversion**
 - 0 Disabledefault
 - 1 Enable

Index EF – Power Down Control (00h).....RW

- 7-6 Reserved** always reads 0
- 5 Clock Power Down**
 - 0 Normal operationdefault
 - 1 Power Down
- 4 Parallel Port Power Down**
 - 0 Normal operationdefault
 - 1 Power Down
- 3 Serial Port 2 Power Down**
 - 0 Normal operationdefault
 - 1 Power Down
- 2 Serial Port 1 Power Down**
 - 0 Normal operationdefault
 - 1 Power Down
- 1 FDC Power Down**
 - 0 Normal operationdefault
 - 1 Power Down
- 0 All Power Down**
 - 0 Normal operationdefault
 - 1 Power Down All

Index F0 – Parallel Port Control (00h) RW

- 7 PS2 Type BiDirectional Parallel Port**
 - 0 Disable default
 - 1 Enable
- 6 EPP Direction by Register not by IOW**
 - 0 Disable default
 - 1 Enable
- 5 EPP+ECP**
 - 0 Disable default
 - 1 Enable
- 4 EPP Version**
 - 0 Version 1.9 default
 - 1 Version 1.7
- 3-0 Reserved**always reads 0

Index F1 – Serial Port Control (00h) RW

- 7-6 Reserved** always reads 0
- 5 IR Loop Back**
 - 0 Disable default
 - 1 Enable
- 4 Serial Port 2 Power-Down State**
 - 0 Normal default
 - 1 Tristate output in power down mode
- 3 Serial Port 1 Power-Down State**
 - 0 Normal default
 - 1 Tristate output in power down mode
- 2 IR Dedicated Pin (IRTX/IRRX) Select**
 - 0 IRTX / IRRX Output from Serial Port 2 def
 - 1 Function 0 Rx76[5] = 0:
 - IRRX output from dedicated pin D12
 - IRTX output from dedicated pin E12
- 1-0 Reserved**always reads 0

Index F2 – Test Mode (Do Not Program) RW

Index F4 – Test Mode (Do Not Program) RW

Index F6 – Floppy Controller Configuration.....RW

7-6 Reserved always reads 0

5 Floppy Drive On Parallel Port

- 0 Parallel Port (SPP) Modedefault
- 1 FDC Mode

This bit is used in notebook applications to allow attachment of an external floppy drive using the parallel port I/O connector:

<u>SPP Mode</u>	<u>Pin Type</u>	<u>FDC Mode</u>	<u>Pin Type</u>
STROBE#	I/O	-	n/a
PD0	I/O	INDEX#	I
PD1	I/O	TRK00#	I
PD2	I/O	WRTprt#	I
PD3	I/O	RDATA#	I
PD4	I/O	DSKCHG#	I
PD5	I/O	-	n/a
PD6	I/O	-	n/a
PD7	I/O	-	n/a
ACK#	I	DS1#	O
BUSY	I	MTR1#	O
PE	I	WDATA#	O
SLCT	I	WGATE#	O
AUTOFD#	I/O	DRVEN0	O
ERROR#	I	HDSEL#	O
PINIT#	I/O	DIR#	O
SLCTIN#	I/O	STEP#	O

4 3-Mode FDD

- 0 Disabledefault
- 1 Enable

3 Reserved always reads 0

2 Four Floppy Drive Option

- 0 Internal 2-Drive Decoderdefault
- 1 External 4-Drive Decoder

1 FDC DMA Non-Burst

- 0 Burstdefault
- 1 Non-Burst

0 FDC Swap

- 0 Disabledefault
- 1 Enable

Index F8 – Floppy Drive Control RW

7-6 Floppy Drive 3 (see table below)

5-4 Floppy Drive 2 (see table below)

3-2 Floppy Drive 1 (see table below)

1-0 Floppy Drive 0 (see table below)

	<u>DRVEN1</u>	<u>DRVEN0</u>
00	DRATE0	DENSEL
01	DRATE0	DRATE1
10	DRATE0	DENSEL#
11	DRATE1	DRATE0

Super-I/O I/O Ports

Floppy Disk Controller Registers

These registers are located at I/O ports which are offsets from "FDCBase" (index E3h of the Super-I/O configuration registers). FDCBase is typically set to allow these ports to be accessed at the standard floppy disk controller address range of 3F0-3F7h.

Port FDCBase+2 – FDC Command.....RW

- 7 **Motor 3 (unused in VT82C686B: no MTR3# pin)**
- 6 **Motor 2 (unused in VT82C686B: no MTR2# pin)**
- 5 **Motor 1**
 - 0 Motor Off
 - 1 Motor On
- 4 **Motor 0**
 - 0 Motor Off
 - 1 Motor On
- 3 **DMA and IRQ Channels**
 - 0 Disable
 - 1 Enable
- 2 **FDC Reset**
 - 0 Execute FDC Reset
 - 1 FDC Enable
- 1-0 **Drive Select**
 - 00 Select Drive 0
 - 01 Select Drive 1
 - 1x -reserved-

Port FDCBase+4 – FDC Main Status.....RO

- 7 **Main Request**
 - 0 Data register not ready
 - 1 Data register ready
- 6 **Data Input / Output**
 - 0 CPU => FDC
 - 1 FDC => CPU
- 5 **Non-DMA Mode**
 - 0 FDC in DMA mode
 - 1 FDC not in DMA mode
- 4 **FDC Busy**
 - 0 FDC inactive
 - 1 FDC active
- 3-2 **Reserved** always reads 0
- 1 **Drive 1 Active**
 - 0 Drive inactive
 - 1 Drive performing a positioning change
- 0 **Drive 0 Active**
 - 0 Drive inactive
 - 1 Drive performing a positioning change

Port FDCBase+4 – FDC Data Rate Select..... WO

- 7 **Software Reset**
 - 0 Normal operation..... default
 - 1 Execute FDC reset (this bit is self clearing)
- 6 **Power Down**
 - 0 Normal operation..... default
 - 1 Power down FDC logic
- 5 **Reserved**always reads 0
- 4-2 **Precompensation Select**
Selects the amount of write precompensation to be used on the WDATA output:
 - 000 Default default
 - 001 41.7 ns
 - 010 93.3 ns
 - 011 125.0 ns
 - 100 166.7 ns
 - 101 208.3 ns
 - 110 250.0 ns
 - 111 0.0 ns (disable)
- 1-0 **Data Rate**

	MFM	FM	Drive Type
00	500K	250K bps	1.2MB 5" or 1.44 MB 3"
01	300K	150K bps	360KB 5"
10	250K	125K bps	720KB 3" default
11	1M	illegal bps	

Note: these bits are not changed by software reset

Port FDCBase+5 – FDC Data..... RW

Port FDCBase+7 – FDC Disk Change Status..... RW

- 7 **Disk Change**..... RO
 - 0 Floppy not changed..... default
 - 1 Floppy changed since last instruction
- 6-2 **Undefined** always reads 1's
- 1-0 **Data Rate** WO
 - 00 500 Kbit/sec (1.2MB 5" or 1.44 MB 3" drive)
 - 01 300 Kbit/sec (360KB 5" drive)
 - 10 250 Kbit/sec (720KB 3" drive)
 - 11 1 Mbit/sec

Parallel Port Registers

These registers are located at I/O ports which are offsets from “LPTBase” (index E6h of the Super-I/O configuration registers). LPTBase is typically set to allow these ports to be accessed at the standard parallel port address range of 378-37Fh.

Port LPTBase+0 – Parallel Port DataRW

7-0 Parallel Port Data

Port LPTBase+1 – Parallel Port Status.....RO

- 7 BUSY#**
 - 0 Printer busy, offline, or error
 - 1 Printer not busy
- 6 ACK#**
 - 0 Data transfer to printer complete
 - 1 Data transfer to printer in progress
- 5 PE**
 - 0 Paper available
 - 1 No paper available
- 4 SLCT**
 - 0 Printer offline
 - 1 Printer online
- 3 ERROR#**
 - 0 Printer error
 - 1 Printer OK
- 2-0 Reserved** always read 1 bits

Port LPTBase+2 – Parallel Port ControlRW

- 7-5 Undefined** always read back 1
- 4 Hardware Interrupt**
 - 0 Disabledefault
 - 1 Enable
- 3 Printer Select**
 - 0 Deselect printerdefault
 - 1 Select printer
- 2 Printer Initialize**
 - 0 Initialize Printer.....default
 - 1 Allow printer to operate normally
- 1 Automatic Line Feed**
 - 0 Host handles line feeds.....default
 - 1 Printer does automatic line feeds
- 0 Strobe**
 - 0 No data transferdefault
 - 1 Transfer data to printer

Port LPTBase+3 – Parallel Port EPP Address..... RW

Port LPTBase+4 – Parallel Port EPP Data Port 0..... RW

Port LPTBase+5 – Parallel Port EPP Data Port 1..... RW

Port LPTBase+6 – Parallel Port EPP Data Port 2..... RW

Port LPTBase+7 – Parallel Port EPP Data Port 3..... RW

Port LPTBase+400h – Parallel Port ECP Data / Cfg A RW

Port LPTBase+401h – Parallel Port ECP Config B..... RW

Port LPTBase+402h – Parallel Port ECP Extd Ctrl..... RW

- 7-5 Parallel Port Mode Select**
 - 000 Standard Mode..... default
 - 001 PS/2 Mode
 - 010 FIFO Mode
 - 011 ECP Mode
 - 100 EPP Mode
 - 101 -reserved-
 - 110 -reserved-
 - 111 Configuration Mode
- 4 Parallel Port Interrupt Disable**
 - 0 Enable an interrupt pulse to be generated on the high to low edge of the fault. An interrupt will also be generated if the fault condition is asserted and this bit is written from 1 to 0.
 - 1 Disable the interrupt generated on the asserting edge of the fault condition
- 3 Parallel Port DMA Enable**
 - 0 Disable DMA unconditionally
 - 1 Enable DMA
- 2 Parallel Port Interrupt Pending**
 - 0 Interrupt not pending
 - 1 Interrupt pending (DMA & interrupts disabled)

This bit is set to 1 by hardware and must be written to 0 to re-enable interrupts
- 1 FIFO Full RO**
 - 0 FIFO has at least 1 free byte
 - 1 FIFO full or cannot accept byte
- 0 FIFO Empty RO**
 - 0 FIFO contains at least 1 byte of data
 - 1 FIFO is completely empty

Serial Port 1 Registers

These registers are located at I/O ports which are offsets from “COM1Base” (index E7h of the Super-I/O configuration registers). COM1Base is typically set to allow these ports to be accessed at the standard serial port 1 address range of 3F8-3FFh.

Port COM1Base+0 – Transmit / Receive BufferRW

7-0 Serial Data

Port COM1Base+1 – Interrupt EnableRW

- 7-4 Undefinedalways read 0
- 3 Interrupt on Handshake Input State Change
- 2 Intr on Parity, Overrun, Framing Error or Break
- 1 Interrupt on Transmit Buffer Empty
- 0 Interrupt on Receive Data Ready

Port COM1Base+1-0 – Baud Rate Generator Divisor...RW

- 15-0 Divisor Value for Baud Rate Generator
- Baud Rate = 115,200 / Divisor
- (e.g., setting this register to 1 selects 115.2 Kbaud)

Port COM1Base+2 – Interrupt StatusRO

- 7-3 Undefinedalways read 0
- 2-1 Interrupt ID (0=highest priority)
 - 00 Priority 3 (Handshake Input Changed State)
 - 01 Priority 2 (Transmit Buffer Empty)
 - 10 Priority 1 (Data Received)
 - 11 Priority 0 (Serialization Error or Break)
- 0 Interrupt Pending
 - 0 Interrupt Pending
 - 1 No Interrupt Pending

Port COM1Base+2 – FIFO Control WO

Port COM1Base+3 – UART Control.....RW

- 7 Divisor Latch Access
 - 0 Access xmit / rcv & int enable regs at 0-1
 - 1 Access baud rate generator divisor latch at 0-1
- 6 Break
 - 0 Break condition off
 - 1 Break condition on
- 5-3 Parity
 - 000 None
 - 001 Odd
 - 011 Even
 - 101 Mark
 - 111 Space
- 2 Stop Bits
 - 0 1
 - 1 2
- 1-0 Data Bits
 - 00 5
 - 01 6
 - 10 7
 - 11 8

Port COM1Base+4 – Handshake Control RW

- 7-5 Undefined always read 0
- 4 Loopback Check
 - 0 Normal operation
 - 1 Loopback enable
- 3 General Purpose Output 2 (unused in 82C686B)
- 2 General Purpose Output 1 (unused in 82C686B)
- 1 Request To Send
 - 0 Disable
 - 1 Enable
- 0 Data Terminal Ready
 - 0 Disable
 - 1 Enable

Port COM1Base+5 – UART Status..... RW

- 7 Undefined always read 0
- 6 Transmitter Empty
 - 0 1 byte in transmit hold or transmit shift register
 - 1 0 bytes transmit hold and transmit shift regs
- 5 Transmit Buffer Empty
 - 0 1 byte in transmit hold register
 - 1 Transmit hold register empty
- 4 Break Detected
 - 0 No break detected
 - 1 Break detected
- 3 Framing Error Detected
 - 0 No error
 - 1 Error
- 2 Parity Error Detected
 - 0 No error
 - 1 Error
- 1 Overrun Error Detected
 - 0 No error
 - 1 Error
- 0 Received Data Ready
 - 0 No received data available
 - 1 Received data in receiver buffer register

Port COM1Base+6 – Handshake Status..... RW

- 7 DCD Status (1=Active, 0=Inactive)
- 6 RI Status (1=Active, 0=Inactive)
- 5 DSR Status (1=Active, 0=Inactive)
- 4 CTS Status (1=Active, 0=Inactive)
- 3 DCD Changed (1=Changed Since Last Read)
- 2 RI Changed (1=Changed Since Last Read)
- 1 DSR Changed (1=Changed Since Last Read)
- 0 CTS Changed (1=Changed Since Last Read)

Port COM1Base+7 – Scratchpad RW

- 7 Scratchpad Data

Serial Port 2 Registers

These registers are located at I/O ports which are offsets from "COM2Base" (index E8h of the Super-I/O configuration registers). COM2Base is typically set to allow these ports to be accessed at the standard serial port 2 address range of 2F8-2FFh.

Port COM2Base+0 – Transmit / Receive BufferRW

7-0 Serial Data

Port COM2Base+1 – Interrupt EnableRW

- 7-4 Undefinedalways read 0
- 3 Interrupt on Handshake Input State Change
- 2 Intr on Parity, Overrun, Framing Error or Break
- 1 Interrupt on Transmit Buffer Empty
- 0 Interrupt on Receive Data Ready

Port COM2Base+1-0 – Baud Rate Generator Divisor...RW

- 15-0 Divisor Value for Baud Rate Generator
Baud Rate = 115,200 / Divisor
(e.g., setting this register to 1 selects 115.2 Kbaud)

Port COM2Base+2 – Interrupt StatusRO

- 7-3 Undefinedalways read 0
- 2-1 Interrupt ID (0=highest priority)
 - 00 Priority 3 (Handshake Input Changed State)
 - 01 Priority 2 (Transmit Buffer Empty)
 - 10 Priority 1 (Data Received)
 - 11 Priority 0 (Serialization Error or Break)
- 0 Interrupt Pending
 - 0 Interrupt Pending
 - 1 No Interrupt Pending

Port COM2Base+2 – FIFO Control WO

Port COM2Base+3 – UART Control.....RW

- 7 Divisor Latch Access
 - 0 Access xmit / rcv & int enable regs at 0-1
 - 1 Access baud rate generator divisor latch at 0-1
- 6 Break
 - 0 Break condition off
 - 1 Break condition on
- 5-3 Parity
 - 000 None
 - 001 Odd
 - 011 Even
 - 101 Mark
 - 111 Space
- 2 Stop Bits
 - 0 1
 - 1 2
- 1-0 Data Bits
 - 00 5
 - 01 6
 - 10 7
 - 11 8

Port COM2Base+4 – Handshake Control RW

- 7-5 Undefined always read 0
- 4 Loopback Check
 - 0 Normal operation
 - 1 Loopback enable
- 3 General Purpose Output 2 (unused in 82C686B)
- 2 General Purpose Output 1 (unused in 82C686B)
- 1 Request To Send
 - 0 Disable
 - 1 Enable
- 0 Data Terminal Ready
 - 0 Disable
 - 1 Enable

Port COM2Base+5 – UART Status..... RW

- 7 Undefined always read 0
- 6 Transmitter Empty
 - 0 1 byte in transmit hold or transmit shift register
 - 1 0 bytes transmit hold and transmit shift regs
- 5 Transmit Buffer Empty
 - 0 1 byte in transmit hold register
 - 1 Transmit hold register empty
- 4 Break Detected
 - 0 No break detected
 - 1 Break detected
- 3 Framing Error Detected
 - 0 No error
 - 1 Error
- 2 Parity Error Detected
 - 0 No error
 - 1 Error
- 1 Overrun Error Detected
 - 0 No error
 - 1 Error
- 0 Received Data Ready
 - 0 No received data available
 - 1 Received data in receiver buffer register

Port COM2Base+6 – Handshake Status..... RW

- 7 DCD Status (1=Active, 0=Inactive)
- 6 RI Status (1=Active, 0=Inactive)
- 5 DSR Status (1=Active, 0=Inactive)
- 4 CTS Status (1=Active, 0=Inactive)
- 3 DCD Changed (1=Changed Since Last Read)
- 2 RI Changed (1=Changed Since Last Read)
- 1 DSR Changed (1=Changed Since Last Read)
- 0 CTS Changed (1=Changed Since Last Read)

Port COM2Base+7 – Scratchpad RW

- 7 Scratchpad Data

SoundBlaster Pro Port Registers

These registers are located at offsets from “SBPBase” (defined in Rx43 of Audio Function 5 PCI configuration space). SBPBase is typically set to allow these ports to be accessed at the standard SoundBlaster Pro port address of 220h or 240h.

FM Registers

Port SBPBase+0 – FM Left Channel Index / Status.....RW

7-0 FM Right Channel Index / Status

Port SBPBase+1 – FM Left Channel Data..... WO

7-0 Right Channel FM Data

Port SBPBase+2 – FM Right Channel Index / StatusRW

7-0 FM Right Channel Index / Status

Port SBPBase+3 – FM Right Channel Data WO

7-0 Right Channel FM Data

Port 388h or SBPBase+8 – FM Index / StatusRW

7-0 FM Index / Status (Both Channels)

Writing to this port programs both the left and right channels (the write programs port offsets 0 and 2 as well)

Port 389h or SBPBase+9 – FM Data WO

7-0 FM Data (Both Channels)

Writing to this port programs both the left and right channels (the write programs port offsets 1 and 3 as well)

Mixer Registers

Port SBPBase+4 – Mixer Index..... WO

7-0 Mixer Index

Port SBPBase+5 – Mixer DataRW

7-0 Mixer Data

Sound Processor Registers

Port SBPBase+6 – Sound Processor Reset WO

0 1 = Sound Processor Reset

Port SBPBase+A – Sound Processor Read DataRO

7-0 Sound Processor Read Data

Port SBPBase+C – Sound Processor Command / Data WO

7-0 Sound Processor Command / Write Data

Port SBPBase+C – Sound Processor Buffer Status.....RO

7 1 = Sound Processor Command / Data Port Busy

Port SBPBase+E – Sound Processor Data Avail Status..RO

7 1 = Sound Processor Data Available

Register Summary - FM

Index	Bit-7	Bit-6	Bit-5	Bit-4	Bit-3	Bit-2	Bit-1	Bit-0	
01	Test								
02	Fast Counter (80 usec)								
03	Slow Counter (320 usec)								
04	IRQ	MFC	MSC				SSSC	SSFC	
08	CSM	SEL							
20-35	AM	VIB	EGT	KSR	Multi				
40-55	KSL		Total Level (TL)						
60-75	Attack Rate (AR)				Decay Rate (DR)				
80-95	Sustain Level (SL)				Release Rate (RR)				
A0-A8	F-Number								
B0-B8			Key	Block			F-Number		
BD	Int	AM	VIB	Ryth	Bass	Snare	Tom	Cym	HiHat
C0-C8					Feedback			FM	
E0-F5							WS		

MFC=Mask Fast Counter SSFC=Start / Stop Fast Counter
MSC=Mask Slow Counter SSSC=Start / Stop Slow Counter

Register Summary – Mixer

Index	Bit-7	Bit-6	Bit-5	Bit-4	Bit-3	Bit-2	Bit-1	Bit-0
00	Data Reset							
02	SP Volume L				SP Volume R			
0A						Mic Vol		
0C			Finp		TFIL	Select		
0E			Fout				ST	
22	General Volume				General Volume			
26	FM Volume L				FM Volume R			
28	CD Volume L				CD Volume R			
2E	Line Volume L				Line Volume R			

Finp = Input Filter
Fout = Output Filter
TFIL = Input Filter Type
ST = Stereo / Mono Mode
Select = Input Choices (0=Microphone, 1=CD, 3=Line)

Command Summary – Sound Processor (see next page)

Command Summary – Sound Processor

#	Type	Command
10	Play	8 bits directly
14	Play	8 bits via DMA
91	Play	High-speed 8 bits via DMA
16	Play	2-bit compressed via DMA
17	Play	2-bit compressed via DMA with reference
74	Play	4-bit compressed via DMA
75	Play	4-bit compressed via DMA with reference
76	Play	2.6-bit compressed via DMA
77	Play	2.6-bit compressed via DMA with reference
20	Record	Direct
24	Record	Via DMA
99	Record	High-speed 8 bits via DMA
D1	Speaker	Turn on speaker connection
D3	Speaker	Turn off speaker connection
D8	Speaker	Get speaker setting
40	Misc	Set sample rate
48	Misc	Set block length
80	Misc	Set silence block
D0	Misc	Stop DMA
D4	Misc	Continue DMA
E1	Misc	Get version
30	MIDI	Direct MIDI input
31	MIDI	MIDI input via interrupt
32	MIDI	Direct MIDI input with time stamp
33	MIDI	MIDI input via interrupt with time stamp
34	MIDI	Direct MIDI UART mode
35	MIDI	MIDI UART mode via interrupt
36	MIDI	Direct MIDI UART mode with time stamp
37	MIDI	MIDI UART mode via interrupt with time stamp
38	MIDI	Send MIDI code

Game Port Registers

These registers are fixed at the standard game port address of 201h.

I/O Port 201h – Game Port Status RO

- 7 Joystick B Button 2 Status**
- 6 Joystick B Button 1 Status**
- 5 Joystick A Button 2 Status**
- 4 Joystick A Button 1 Status**
- 3 Joystick B One-Shot Status for Y-Potentiometer**
- 2 Joystick B One-Shot Status for X-Potentiometer**
- 1 Joystick A One-Shot Status for Y-Potentiometer**
- 0 Joystick A One-Shot Status for X-Potentiometer**

I/O Port 201h – Start One-Shot..... WO

- 7-0 (Value Written is Ignored)**

PCI Configuration Space I/O

PCI configuration space accesses for functions 0-6 use PCI configuration mechanism 1 (see PCI specification revision 2.2 for more details). The ports respond only to double-word accesses. Byte or word accesses will be passed on unchanged.

Port CFB-CF8 - Configuration AddressRW

- 31 Configuration Space Enable**
 - 0 Disabledefault
 - 1 Convert configuration data port writes to configuration cycles on the PCI bus
- 30-24 Reserved** always reads 0
- 23-16 PCI Bus Number**
Used to choose a specific PCI bus in the system
- 15-11 Device Number**
Used to choose a specific device in the system
- 10-8 Function Number**
Used to choose a specific function if the selected device supports multiple functions
- 7-2 Register Number**
Used to select a specific DWORD in the device's configuration space
- 1-0 Fixed** always reads 0

Port CFF-CFC - Configuration DataRW

There are 7 “functions” implemented in the VT82C686B:

<u>Function #</u>	<u>Function</u>
0	PCI to ISA Bridge
1	IDE Controller
2	USB Controller Ports 0-1
3	USB Controller Ports 2-3
4	Power Management, SMBus & Hardware Monitor
5	AC97 Audio Codec Controller
6	MC97 Modem Codec Controller

The following sections describe the registers and register bits of these functions.

Function 0 Registers - PCI to ISA Bridge

All registers are located in the function 0 PCI configuration space of the VT82C686B. These registers are accessed through PCI configuration mechanism #1 via I/O address CF8/CFC.

PCI Configuration Space Header

Offset 1-0 - Vendor ID = 1106h.....RO

Offset 3-2 - Device ID = 0686h.....RO

Offset 5-4 - Command.....RW

- 15-8 Reserved always reads 0
- 7 Address / Data Stepping
 - 0 Disable
 - 1 Enabledefault
- 6-4 Reserved always reads 0
- 3 Special Cycle Enable Normally RW†, default = 0
- 2 Bus Master always reads 1
- 1 Memory Space..... Normally RO†, reads as 1
- 0 I/O Space Normally RO†, reads as 1

† If the Rx46[4] test bit is set, access to bits 0, 1, and 3 above is reversed: bit-3 becomes read only (reading back 1) and bits 0-1 become read / write (with a default of 1).

Offset 7-6 - Status.....RWC

- 15 Detected Parity Error write one to clear
- 14 Signalled System Error always reads 0
- 13 Signalled Master Abort write one to clear
- 12 Received Target Abort write one to clear
- 11 Signalled Target Abort write one to clear
- 10-9 DEVSEL# Timing fixed at 01 (medium)
- 8 Data Parity Detected..... always reads 0
- 7 Fast Back-to-Back..... always reads 0
- 6-0 Reserved always reads 0

Offset 8 - Revision ID = nn.....RO

- 7-0 Revision ID
 - 0x VT82C686
 - 1x VT82C686A
 - 4x VT82C686B

Offset 9 - Program Interface = 00h.....RO

Offset A - Sub Class Code = 01h.....RO

Offset B - Class Code = 06h.....RO

Offset E - Header Type = 80h.....RO

- 7-0 Header Type Code 80h (Multifunction Device)

Offset F - BIST = 00h.....RO

Offset 2F-2C - Subsystem ID.....RO

Use offset 70-73 to change the value returned.

ISA Bus Control

Offset 40 - ISA Bus Control..... RW

- 7 ISA Command Delay
 - 0 Normal..... default
 - 1 Extra
- 6 Extended ISA Bus Ready
 - 0 Disable..... default
 - 1 Enable
- 5 ISA Slave Wait States
 - 0 4 Wait States..... default
 - 1 5 Wait States
- 4 Chipset I/O Wait States
 - 0 2 Wait States..... default
 - 1 4 Wait States
- 3 I/O Recovery Time
 - 0 Disable..... default
 - 1 Enable
- 2 Extend-ALE
 - 0 Disable..... default
 - 1 Enable
- 1 ROM Wait States
 - 0 1 Wait State default
 - 1 0 Wait States
- 0 ROM Write
 - 0 Disable..... default
 - 1 Enable

Offset 41 - ISA Test Mode..... RW

- 7 Bus Refresh Arbitration (do not program) default=0
 - 6 I/O Recovery Time
 - 0 Normal (13 BCLKs) default
 - 1 Medium (8 BCLKs)
 - 5 Port 92 Fast Reset
 - 0 Disable..... default
 - 1 Enable
 - 4 A20G Emulation (do not program)..... default=0
 - 3 Double DMA Clock
 - 0 Disable (DMA Clock = ½ ISA Clock)... default
 - 1 Enable (DMA Clock = ISA Clock)
- This function can be enabled for external ISA devices (e.g., advanced Super-IO or FIR controllers) which support 8MHz DMA channels. However, if this bit is set to 1, then all DMA channels will be 8 MHz. If this bit is set to 1 and Rx45[n] is set to 1, then ISA DMA channel ‘n’ will be 16 MHz. Therefore, typically this bit is set to 0 and the appropriate bits of Rx45 should be set to 1 to enable 8 MHz DMA clock only for specific channels that support the higher rate.
- 2 **SHOLD Lock During INTA** (do not program) def=0
 - 1 **Refresh Request Test Mode** (do not program).def=0
 - 0 **ISA Refresh**
 - 0 Disable..... default
 - 1 Enable
- This bit should be set to 1 for ISA compatibility.

Offset 42 - ISA Clock Control.....RW

- 7 Latch IO16#**
 - 0 Enable (recommended setting)default
 - 1 Disable
- 6 MCS16# Output**
 - 0 Disabledefault
 - 1 Enable
- 5 Master Request Test Mode (do not program)**
 - 0 Disabledefault
 - 1 Enable
- 4 Reserved (Do Not Program) default = 0**
- 3 ISA Clock (BCLK) Select Enable**
 - 0 BCLK = PCICLK / 4.....default
 - 1 BCLK selected per bits 2-0
- 2-0 ISA Bus Clock Select (if bit-3 = 1)**
 - 000 BCLK = PCICLK / 3.....default
 - 001 BCLK = PCICLK / 2
 - 010 BCLK = PCICLK / 4
 - 011 BCLK = PCICLK / 6
 - 100 BCLK = PCICLK / 5
 - 101 BCLK = PCICLK / 10
 - 110 BCLK = PCICLK / 12
 - 111 BCLK = OSC / 2

Note: Procedure for ISA Clock switching:

1) Set bit 3 to 0; 2) Change value of bit 2-0; 3) Set bit 3 to 1

Offset 43 - ROM Decode Control..... RW

Setting these bits enables the indicated address range to be included in the ROMCS# decode:

- 7 FFFE0000h-FFFEFFFFh default=0**
- 6 FFF80000h-FFFDFFFFh..... default=0**
- 5 FFF00000h-FFF7FFFFh..... default=0**
- 4 000E0000h-000EFFFFh..... default=0**
- 3 000D8000h-000DFFFFh..... default=0**
- 2 000D0000h-000D7FFFh..... default=0**
- 1 000C8000h-000CFFFFh..... default=0**
- 0 000C0000h-000C7FFFh..... default=0**

Offset 44 - Keyboard Controller Control RW

- 7 KBC Timeout Test (do not program)..... default = 0**
- 6-4 Reserved (do not program)..... default = 0**
- 3 Mouse Lock Enable**
 - 0 Disable..... default
 - 1 Enable
- 2-1 Reserved (do not program)..... default = 0**
- 0 Reserved (no function) default = 0**

Offset 45 - Type F DMA Control RW

- 7 ISA Master / DMA to PCI Line Buffer**
 - 0 Disable..... default
 - 1 Enable
- 6 DMA type F Timing on Channel 7..... default=0**
- 5 DMA type F Timing on Channel 6..... default=0**
- 4 DMA type F Timing on Channel 5..... default=0**
- 3 DMA type F Timing on Channel 3..... default=0**
- 2 DMA type F Timing on Channel 2..... default=0**
- 1 DMA type F Timing on Channel 1..... default=0**
- 0 DMA type F Timing on Channel 0..... default=0**

Note: For bits 0-6 above, see also Rx41[3]

Offset 46 - Miscellaneous Control 1.....RW

- 7 PCI Master Write Wait States**
 - 0 0 Wait Statesdefault
 - 1 1 Wait State
- 6 Gate INTR**
 - 0 Disabledefault
 - 1 Enable
- 5 Flush Line Buffer for Int or DMA IOR Cycle**
 - 0 Disabledefault
 - 1 Enable
- 4 Config Command Reg Rx04 Access (Test Only)**
 - 0 Normal: Bits 0-1=RO, Bit 3=RW.....default
 - 1 Test Mode: Bits 0-1=RW, Bit-3=RO
- 3 Reserved (do not program)..... default = 0**
- 2 Reserved (no function)..... default = 0**
- 1 PCI Burst Read Interruptability**
 - 0 Allow burst reads to be interrupted by ISA master or DMA.....default
 - 1 Don't allow PCI burst reads to be interrupted
- 0 Posted Memory Write Enable**
 - 0 Disabledefault
 - 1 Enable

The Posted Memory Write function is automatically enabled when Delay Transaction (see Rx47 bit-6) is enabled, independent of the state of this bit.

Offset 47 - Miscellaneous Control 2 RW

- 7 CPU Reset Source**
 - 0 Use CPURST as CPU Reset default
 - 1 Use INIT as CPU Reset
- 6 PCI Delay Transaction Enable**
 - 0 Disable..... default
 - 1 Enable

The "Posted Memory Write" function is automatically enabled when this bit is enabled, independent of the state of Rx46 bit-0.
- 5 EISA 4D0/4D1 Port Enable**
 - 0 Disable (ignore ports 4D0-1)..... default
 - 1 Enable (ports 4D0-1 per EISA specification)
- 4 Interrupt Controller Shadow Register Enable**
 - 0 Disable..... default
 - 1 Enable (for test purposes, enable readback of interrupt controller internal functions on I/O reads from ports 20-21, A0-A1, A8-A9, and C8-C9) (Contact VIA Test Engineering department)
- 3 Reserved (always program to 0)..... default = 0**

Note: Always mask this bit. This bit may read back as either 0 or 1 but must always be programmed with 0.
- 2 Write Delay Transaction Time-Out Timer**
 - 0 Disable..... default
 - 1 Enable
- 1 Read Delay Transaction Time-Out Timer**
 - 0 Disable..... default
 - 1 Enable
- 0 Software PCI Reset write 1 to generate PCI reset**

Offset 48 - Miscellaneous Control 3.....RW

- 7-4 **Reserved** always reads 0
- 3 **Extra RTC Port 74/75 Enable**
 - 0 Disabledefault
 - 1 Enable
- 2 **Integrated USB Controller Disable**
 - 0 Enable.....default
 - 1 Disable
- 1 **Integrated IDE Controller Disable**
 - 0 Enable.....default
 - 1 Disable
- 0 **512K PCI Memory Decode**
 - 0 Use Rx4E[15-12] to select top of PCI memory
 - 1 Use contents of Rx4E[15-12] plus 512K as top of PCI memorydefault

Offset 4A - IDE Interrupt RoutingRW

- 7 **Wait for PGNT Before Grant to ISA Master / DMA**
 - 0 Disabledefault
 - 1 Enable
- 6 **Bus Select for Access to I/O Devices Below 100h**
 - 0 Access ports 00-FFh via XD bus.....default
 - 1 Access ports 00-FFh via SD bus (applies to external devices only; internal devices such as the mouse controller are not effected)
- 5-4 **Reserved (do not program)** default = 0
- 3-2 **IDE Second Channel IRQ Routing**
 - 00 IRQ14
 - 01 IRQ15.....default
 - 10 IRQ10
 - 11 IRQ11
- 1-0 **IDE Primary Channel IRQ Routing**
 - 00 IRQ14.....default
 - 01 IRQ15
 - 10 IRQ10
 - 11 IRQ11

4C - ISA DMA/Master Memory Access Control 1 RW

- 7-0 **PCI Memory Hole Bottom Address**
These bits correspond to HA[23:16]default=0

4D - ISA DMA/Master Memory Access Control 2 RW

- 7-0 **PCI Memory Hole Top Address (HA[23:16])**
These bits correspond to HA[23:16]default=0

Note: Access to the memory defined in the PCI memory hole will not be forwarded to PCI. This function is disabled if the top address is less than or equal to the bottom address.

4F-4E - ISA DMA/Master Memory Access Control 3... RW

- 15-12 **Top of PCI Memory** for ISA DMA/Master accesses
 - 0000 1M default
 - 0001 2M
 -
 - 1111 16M

Note: All ISA DMA / Masters that access addresses higher than the top of PCI memory will not be directed to the PCI bus.

- 11 **Forward E0000-EFFFF Accesses to PCI**.....def=0
- 10 **Forward A0000-BFFFF Accesses to PCI**def=0
- 9 **Forward 80000-9FFFF Accesses to PCI**def=1
- 8 **Forward 00000-7FFFF Accesses to PCI**def=1
- 7 **Forward DC000-DFFFF Accesses to PCI**def=0
- 6 **Forward D8000-DBFFF Accesses to PCI**def=0
- 5 **Forward D4000-D7FFF Accesses to PCI**def=0
- 4 **Forward D0000-D3FFF Accesses to PCI**def=0
- 3 **Forward CC000-CFFFF Accesses to PCI**def=0
- 2 **Forward C8000-CBFFF Accesses to PCI**def=0
- 1 **Forward C4000-C7FFF Accesses to PCI**def=0
- 0 **Forward C0000-C3FFF Accesses to PCI**def=0

Plug and Play Control

Offset 50 – PNP DMA Request ControlRW

- 7-4 Reserved default = 0
 - 3-2 PnP Routing for Parallel Port DRQ..... def = DRQ3
 - 1-0 PnP Routing for Floppy DRQ..... def = DRQ2
- DRQ Mapping: 00=DRQ0, 01=DRQ1, 10=DRQ2, 11=DRQ3

Offset 51 - PNP IRQ Routing 1RW

- 7-4 PnP Routing for Parallel Port IRQ (see PnP IRQ routing table)
- 3-0 PnP Routing for Floppy IRQ (see PnP IRQ routing table)

Offset 52 - PNP IRQ Routing 2RW

- 7-4 PnP Routing for Serial Port 2 IRQ (see PnP IRQ routing table)
- 3-0 PnP Routing for Serial Port 1 IRQ (see PnP IRQ routing table)

Offset 54 - PCI IRQ Edge / Level Select.....RW

- 7-4 Reserved always reads 0
- The following bits all default to “level” triggered (0)
- 3 PIRQA# Invert (edge) / Non-invert (level).....(1/0)
- 2 PIRQB# Invert (edge) / Non-invert (level).....(1/0)
- 1 PIRQC# Invert (edge) / Non-invert (level).....(1/0)
- 0 PIRQD# Invert (edge) / Non-invert (level).....(1/0)

Note: PIRQA-D# normally connect to PCI interrupt pins INTA-D# (see pin definitions for more information).

Offset 55 - PNP IRQ Routing 4RW

- 7-4 PIRQA# Routing (see PnP IRQ routing table)
- 3-0 Reserved always reads 0

Offset 56 - PNP IRQ Routing 5RW

- 7-4 PIRQC# Routing (see PnP IRQ routing table)
- 3-0 PIRQB# Routing (see PnP IRQ routing table)

Offset 57 - PNP IRQ Routing 6RW

- 7-4 PIRQD# Routing (see PnP IRQ routing table)
- 3-0 Reserved always reads 0

PnP IRQ Routing Table

- 0000 Disabledefault
- 0001 IRQ1
- 0010 Reserved
- 0011 IRQ3
- 0100 IRQ4
- 0101 IRQ5
- 0110 IRQ6
- 0111 IRQ7
- 1000 Reserved
- 1001 IRQ9
- 1010 IRQ10
- 1011 IRQ11
- 1100 IRQ12
- 1101 Reserved
- 1110 IRQ14
- 1111 IRQ15

Offset 58 – External APIC IRQ Output Control RW

- 7-5 Reservedalways reads 0
- 4 ACPI IRQ to APIC[23:16] with Rx42[2:0]
 - 0 Disable..... default
 - 1 Enable
- 3 MC97 IRQ to APIC[23:16] with Rx3C[2:0]
 - 0 Disable..... default
 - 1 Enable
- 2 AC97 IRQ to APIC[23:16] with Rx3C[2:0]
 - 0 Disable..... default
 - 1 Enable
- 1 USB Port 1 IRQ to APIC[23:16] with Rx3C[2:0]
 - 0 Disable..... default
 - 1 Enable
- 0 USB Port 0 IRQ to APIC[23:16] with Rx3C[2:0]
 - 0 Disable..... default
 - 1 Enable

Offset 5A – KBC / RTC Control.....RW

Bits 7-4 of this register are latched from pins SD7-4 at power-up but are read/write accessible so may be changed after power-up to change the default strap setting:

- 7 **Keyboard RP16**..... latched from SD7
- 6 **Keyboard RP15** latched from SD6
- 5 **Keyboard RP14** latched from SD5
- 4 **Keyboard RP13** latched from SD4
- 3 **Audio Function Enable**
..... RO, strapped from SPKR pin V5
 - 0 Disable (SDD pins function as SDD)
 - 1 Enable (SDD pins function as Audio / Game)
- 2 **Internal RTC Enable**
 - 0 Disable
 - 1 Enabledefault
- 1 **Internal PS2 Mouse Enable**
 - 0 Disabledefault
 - 1 Enable
- 0 **Internal KBC Enable**
 - 0 Disabledefault
 - 1 Enable

Note: External strap option values may be set by connecting the indicated external pin to a 4.7K ohm pullup (for 1) or driving it low during reset with a 7407 TTL open collector buffer (for 0) as shown in the suggested circuit below:

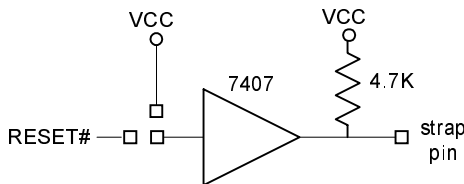


Figure 5. Strap Option Circuit

Offset 5B - Internal RTC Test Mode RW

- 7-4 **Reserved** always reads 0
- 3 **Map RTC Rx32 to Rx3F**
 - 0 Disable..... default
 - 1 Enable
- 2 **RTC Reset Enable** (do not program)
 - 0 Disable..... default
 - 1 Enable
- 1 **RTC SRAM Access Enable**
 - 0 Disable..... default
 - 1 Enable

This bit is set if the internal RTC is disabled but it is desired to still be able to access the internal RTC SRAM via ports 74-75. If the internal RTC is enabled, setting this bit does nothing (the internal RTC SRAM should be accessed at either ports 70/71 or 72/73.
- 0 **RTC Test Mode Enable** (do not program) . default=0

Offset 5C - DMA Control..... RW

- 7 **PCS0# & PCS1# 16-Bit I/O**
 - 0 Disable..... default
 - 1 Enable
- 6 **Passive Release**
 - 0 Disable..... default
 - 1 Enable
- 5 **Internal Passive Release**
 - 0 Disable..... default
 - 1 Enable
- 4 **Dummy PREQ**
 - 0 Disable..... default
 - 1 Enable
- 3 **Reserved** always reads 0
- 2 **APIC Connection**
 - 0 APIC on SD Bus..... default
 - 1 APIC on XD Bus
- 1 **Reserved (Do Not Program)** default = 0
- 0 **DMA Line Buffer Disable**
 - 0 DMA cycles can be to/from line buffer def
 - 1 Disable DMA Line Buffer

Distributed DMA / Serial IRQ Control

Offset 61-60 - Distributed DMA Ch 0 Base / Enable.....RW

- 15-4 Channel 0 Base Address Bits 15-4 default = 0
- 3 Channel 0 Enable
 - 0 Disabledefault
 - 1 Enable
- 2-0 Reserved always reads 0

Offset 63-62 - Distributed DMA Ch 1 Base / Enable.....RW

- 15-4 Channel 1 Base Address Bits 15-4 default = 0
- 3 Channel 1 Enable
 - 0 Disabledefault
 - 1 Enable
- 2-0 Reserved always reads 0

Offset 65-64 - Distributed DMA Ch 2 Base / Enable.....RW

- 15-4 Channel 2 Base Address Bits 15-4 default = 0
- 3 Channel 2 Enable
 - 0 Disabledefault
 - 1 Enable
- 2-0 Reserved always reads 0

Offset 67-66 - Distributed DMA Ch 3 Base / Enable.....RW

- 15-4 Channel 3 Base Address Bits 15-4 default = 0
- 3 Channel 3 Enable
 - 0 Disabledefault
 - 1 Enable
- 2-0 Reserved always reads 0

Offset 69-68 – Serial IRQ ControlRW

- 15-4 Reserved always reads 0
- 3 ISA IRQ Asserted Via Serial IRQ (Pin H3 or L4)
 - 0 Disabledefault
 - 1 Enable
- 2 Serial IRQ Mode
 - 0 Continuous Modedefault
 - 1 Quiet Mode
- 1-0 Serial IRQ Start-Frame Width
 - 00 4 PCI Clocksdefault
 - 01 6 PCI Clocks
 - 10 8 PCI Clocks
 - 11 10 PCI Clocks

The frame size is fixed at 21 PCI clocks.

Offset 6B-6A - Distributed DMA Ch 5 Base / Enable.... RW

- 15-4 Channel 5 Base Address Bits 15-4..... default = 0
- 3 Channel 5 Enable
 - 0 Disable..... default
 - 1 Enable
- 2-0 Reserved always reads 0

Offset 6D-6C - Distributed DMA Ch 6 Base / Enable ... RW

- 15-4 Channel 6 Base Address Bits 15-4..... default = 0
- 3 Channel 6 Enable
 - 0 Disable..... default
 - 1 Enable
- 2-0 Reserved always reads 0

Offset 6F-6E - Distributed DMA Ch 7 Base / Enable RW

- 15-4 Channel 7 Base Address Bits 15-4..... default = 0
- 3 Channel 7 Enable
 - 0 Disable..... default
 - 1 Enable
- 2-0 Reserved always reads 0

Miscellaneous / General Purpose I/O

Offset 73-70 - Subsystem ID WO

31-0 Subsystem ID / Vendor ID..... always reads 0
Contents may be read at offset 2C.

Offset 74 – GPIO Control 1.....RW

- 7 Reserved (Do Not Program)**..... default = 0
- 6 SERIRQ Pin**
 - 0 SERIRQ input from DRQ2 (Pin H3).....default
 - 1 SERIRQ input from DACK5# (Pin L4)
- 5 GPIOD Direction (Pin U8)**
 - 0 Inputdefault
 - 1 Output (GPO11)
- 4 GPIOC Direction (Pin V14)**
 - 0 Inputdefault
 - 1 Output
- 3 GPIOB Direction (Pin U12)**
 - 0 Inputdefault
 - 1 Output
- 2 GPIOA Direction (Pin T14)**
 - 0 Inputdefault
 - 1 Output
- 1 THRM Enable (Pin T11)**
 - 0 PME# / GPI5 (see Func 4 Rx48[5])default
 - 1 THRM
- 0 GPIO / IOCHCK# Select**
 - 0 GPIOdefault
 - 1 IOCHCK#

Offset 75 – GPIO Control 2 RW

- 7 GPO7 Enable (Pin T7)**
 - 0 Pin defined as SLP#..... default
 - 1 Pin defined as GPO7
- 6 GPO6 Enable (Pin ??)**
 - 0 Pin defined as ??..... default
 - 1 Pin defined as GPO6
- 5 GPO5 Enable (Pin V12)**
 - 0 Pin defined as PCISTP# default
 - 1 Pin defined as GPO5
- 4 GPO4 Enable (Pin Y12)**
 - 0 Pin defined as CPUSTP#..... default
 - 1 Pin defined as GPO4
- 3 FDC External IRQ / DRQ Via DACK2# / DRQ2**
 - 0 Pin G5 is FDCIRQ, pin H3 is FDCDRQ def
 - 1 Pin G5 is DACK2# or other alternate function
Pin H3 is DRQ2 or other alternate function
(see bits 1-2 and Rx76[7-6])
- 2 GPO25 Enable (Pin G5)**
 - 0 See bit-3 & Rx76[7-6] for G5 pin function.. def
 - 1 Pin G5 defined as GPO25
- 1 GPO24 Enable (Pin H3)**
 - 0 See bit-3 & Rx68[3] for H3 pin function..... def
 - 1 Pin H3 defined as GPO24
- 0 Positive Decode**
 - 0 Subtractive Decode..... default
 - 1 Positive Decode

Offset 76 – GPIO Control 3 (00)RW

- 7 Over-Current (OC) Input**
 - 0 Disabledefault
 - 1 Enable (pins G5 and H3 are USB0C0# and USB0C1# if bit-6 = 0)
- 6 OC[3:0] From SD[3:0] By Scan**
 - 0 Disable (pins G5 & H3 are USB0C0# and USB0C1# if bit-7 = 1).....default
 - 1 Enable
- 5 GPO14 / GPO15 Enable (Pins E12 / D12)**
 - 0 Pins used for IRTX and IRRXdefault
 - 1 Pins used for GPO14 and GPO15
- 4 MCCS# Pin Select**
 - 0 MCCS# is on Pin U5default
 - 1 MCCS# is on Pin U8
- 3 MCCS# Function**
 - 0 Disable MCCS# functiondefault
 - 1 Enable MCCS# function
(see bit-4 for select of U5 or U8 for MCCS#)
- 2 CHAS Enable (Pin V14)**
 - 0 Pin is defined as GPIOC.....default
 - 1 Pin is defined as CHAS
- 1 GPO12 Enable (Pin T5)**
 - 0 Pin is defined as XDIR.....default
 - 1 Pin is defined as GPO12
- 0 GPOWE# (GPO[23-16]) Enable (Pin T14)**
 - 0 Pin is defined as GPIOAdefault
 - 1 Pin is defined as GPOWE# (Rx74[2] also must be set to 1)

Offset 77 – GPIO Control 4 Control (10h) RW

- 7 DRQ / DACK# Pins are GPI / GPO**
 - 0 Disable..... default
 - 1 Enable
- 6 Game Port XY Pins are GPI / GPO**
 - 0 Disable..... default
 - 1 Enable
- 5 Reserved**always reads 0
- 4 Internal APIC Enable**
 - 0 Disable
 - 1 Enable (U10 = WSC#, V9 = APICD0, T10 = APICD1)..... default
- 3 IRQ0 Output**
 - 0 Disable..... default
 - 1 Enable IRQ0 output to GPIOC
- 2 RTC Rx32 Write Protect**
 - 0 Disable..... default
 - 1 Enable
- 1 RTC Rx0D Write Protect**
 - 0 Disable..... default
 - 1 Enable
- 0 GPO13 Enable (Pin U5)**
 - 0 Pin defined as SOE# default
 - 1 Pin defined as GPO13

Offset 79-78 – PCS0# I/O Port AddressRW

15-0 PCS0# I/O Port Address [15-0]

Offset 7B-7A – PCS1# I/O Port Address.....RW

15-0 PCS1# I/O Port Address [15-0]

Offset 7D-7C – PCI DMA Channel Enable.....RW

15-9 Reserved always reads 0

8-5 Reserved (Do Not Program)..... default = 0

4 Reserved always reads 0

3-0 Reserved (Do Not Program)..... default = 0

Offset 7F-7E – 32-Bit DMA Control RW

15-3 32-Bit DMA High Page (A31-24) Registers IOBase

2-1 Reserved always reads 0

0 32-Bit DMA

0 Disable default

1 Enable

Offset 80 – Programmable Chip Select Mask RW

7-4 PCS1# I/O Port Address Mask [3-0]

3-0 PCS0# I/O Port Address Mask [3-0]

Offset 81 – ISA Positive Decoding Control 1RW

- 7 On-Board I/O Port Positive Decoding**
 - 0 Disabledefault
 - 1 Enable
- 6 Microsoft-Sound System I/O Port Positive Decoding**
 - 0 Disabledefault
 - 1 Enable
- 5-4 Microsoft-Sound System I/O Decode Range**
 - 00 0530h-0537hdefault
 - 01 0604h-060Bh
 - 10 0E80-0E87h
 - 11 0F40h-0F47h
- 3 APIC Positive Decoding**
 - 0 Disabledefault
 - 1 Enable
- 2 BIOS ROM Positive Decoding**
 - 0 Disabledefault
 - 1 Enable
- 1 Reserved** always reads 0
- 0 PCS0 Positive Decoding**
 - 0 Disabledefault
 - 1 Enable

Offset 82 – ISA Positive Decoding Control 2RW

- 7 FDC Positive Decoding**
 - 0 Disabledefault
 - 1 Enable
- 6 LPT Positive Decoding**
 - 0 Disabledefault
 - 1 Enable
- 5-4 LPT Decode Range**
 - 00 3BCh-3BFh, 7BCh-7BEh.....default
 - 01 378h-37Fh, 778h-77Ah
 - 10 278h-27Fh, 678h-67Ah
 - 11 -reserved-
- 3 Game Port Positive Decoding**
 - 0 Disabledefault
 - 1 Enable
- 2 MIDI Positive Decoding**
 - 0 Disabledefault
 - 1 Enable
- 1-0 MIDI Decode Range**
 - 00 300h-303hdefault
 - 01 310h-313h
 - 10 320h-323h
 - 11 330h-333h

Offset 83 – ISA Positive Decoding Control 3..... RW

- 7 COM Port B Positive Decoding**
 - 0 Disable..... default
 - 1 Enable
- 6-4 COM-Port B Decode Range**
 - 000 3F8h-3FFh (COM1)..... default
 - 001 2F8h-2FFh (COM2)
 - 010 220h-227h
 - 011 228h-22Fh
 - 100 238h-23Fh
 - 101 2E8h-2EFh (COM4)
 - 110 338h-33Fh
 - 111 3E8h-3EFh (COM3)
- 3 COM Port A Positive Decoding**
 - 0 Disable..... default
 - 1 Enable
- 2-0 COM-Port A Decode Range**
 - 000 3F8h-3FFh (COM1)..... default
 - 001 2F8h-2FFh (COM2)
 - 010 220h-227h
 - 011 228h-22Fh
 - 100 238h-23Fh
 - 101 2E8h-2EFh (COM4)
 - 110 338h-33Fh
 - 111 3E8h-3EFh (COM3)

Offset 84 – ISA Positive Decoding Control 4..... RW

- 7-4 Reserved** always reads 0
- 3 FDC Decoding Range**
 - 0 Primary default
 - 1 Secondary
- 2 Sound Blaster Positive Decoding**
 - 0 Disable..... default
 - 1 Enable
- 1-0 Sound Blaster Decode Range**
 - 00 220h-22Fh, 230h-233h default
 - 01 240h-24Fh, 250h-253h
 - 10 260h-26Fh, 270h-273h
 - 11 280h-28Fh, 290h-293h

Offset 85 – Extended Function EnableRW

- 7-6 PCI Master Grant Timeout Select**
 - 00 Disabledefault
 - 01 32 PCI Clocks
 - 10 64 PCI Clocks
 - 11 96 PCI Clocks
- 5 Reserved** always reads 0
- 4 Function 3 USB Ports 2-3**
 - 0 Enable.....default
 - 1 Disable
- 3 Function 6 Modem / Audio**
 - 0 Enable.....default
 - 1 Disable
- 2 Function 5 Audio**
 - 0 Enable.....default
 - 1 Disable
- 1 Super-I/O Configuration**
 - 0 Disabledefault
 - 1 Enable
- 0 Super-I/O**
 - 0 Disabledefault
 - 1 Enable

Offset 86 – PNP IRQ/DRO Test 1 (Do Not Program) ... RW

Offset 87 – PNP IRQ/DRO Test 2 (Do Not Program) ... RW

Offset 88 – PLL TestRW

- 7 PCS0# Access Status
- 6 RTC Rx32 / Rx7F Write Protect
 - 0 Disabledefault
 - 1 Enable
- 5 MC IRQ Test (Do Not Program)
 - 0 Disabledefault
 - 1 Enable
- 4 PLL PU (Do Not Program)
 - 0 Disabledefault
 - 1 Enable
- 3 PLL Test Mode (Do Not Program)
 - 0 Disabledefault
 - 1 Enable
- 2-0 PLL Test Mode Select

Offset 89 – PLL ControlRW

- 7-4 Reserved always reads 0
- 3-2 PLL PCLK Input Delay Select
- 1-0 PLL CLK66 Feedback Delay Select

Offset 8A – PCS2/3 I/O Port Address Mask..... RW

- 7-4 PCS3# I/O Port Address Mask 3-0
- 3-0 PCS2# I/O Port Address Mask 3-0

Offset 8B – PCS Control RW

- 7 PCS3# For Internal I/O
 - 0 Disable..... default
 - 1 Enable
- 6 PCS2# For Internal I/O
 - 0 Disable..... default
 - 1 Enable
- 5 PCS1# For Internal I/O
 - 0 Disable..... default
 - 1 Enable
- 4 PCS0# For Internal I/O
 - 0 Disable..... default
 - 1 Enable
- 3 PCS3#
 - 0 Disable..... default
 - 1 Enable
- 2 PCS2#
 - 0 Disable..... default
 - 1 Enable
- 1 PCS1#
 - 0 Disable..... default
 - 1 Enable
- 0 PCS0#
 - 0 Disable..... default
 - 1 Enable

Offset 8D-8C – PCS2# I/O Port Address RW

- 15-0 PCS2# I/O Port Address

Offset 8F-8E – PCS3# I/O Port Address..... RW

- 15-0 PCS3# I/O Port Address

Function 1 Registers - Enhanced IDE Controller

This Enhanced IDE controller interface is fully compatible with the SFF 8038i v.1.0 specification. There are two sets of software accessible registers -- PCI configuration registers and Bus Master IDE I/O registers. The PCI configuration registers are located in the function 1 PCI configuration space of the VT82C686B. The Bus Master IDE I/O registers are defined in the SFF8038i v1.0 specification.

PCI Configuration Space Header

Offset 1-0 - Vendor ID (1106h=VIA).....RO

Offset 3-2 - Device ID (0571h=IDE Controller).....RO

Offset 5-4 - Command.....RW

- 15-10 **Reserved** always reads 0
- 9 **Fast Back to Back Cycles** default = 0 (disabled)
- 8 **SERR# Enable**..... default = 0 (disabled)
- 7 **Address Stepping** **fixed at 1 (enabled)**
A value of 1 provides additional address decode time to IDE devices.
- 6 **Parity Error Response**..... default = 0 (disabled)
- 5 **VGA Palette Snoop**fixed at 0 (disabled)
- 4 **Memory Write & Invalidate**fixed at 0 (disabled)
- 3 **Special Cycles**fixed at 0 (disabled)
- 2 **Bus Master** default = 0 (disabled)
S/G operation can be issued only when the "Bus Master" bit is enabled.
- 1 **Memory Space**.....fixed at 0 (disabled)
- 0 **I/O Space** default = 0 (disabled)
When the "I/O Space" bit is disabled, the device will not respond to any I/O addresses for both compatible and native mode.

Offset 7-6 - Status.....RO

- 15 **Detected Parity Error** always reads 0
- 14 **Signalled System Error**..... always reads 0
- 13 **Received Master Abort**..... always reads 0
- 12 **Received Target Abort** always reads 0
- 11 **Signalled Target Abort**..... always reads 0
- 10-9 **DEVSEL# Timing**always reads 01 (medium)
- 8 **Data Parity Detected**..... always reads 0
- 7 **Fast Back to Back** always reads 1
- 6-0 **Reserved** always reads 0

Offset 8 - Revision ID (06)RO

- 0-7 **Revision Code for IDE Controller Logic Block**

Offset 9 - Programming Interface RW

- 7 **Master IDE Capability**..... fixed at 1 (Supported)
- 6-4 **Reserved**always reads 0
- 3 **Programmable Indicator - Secondary** fixed at 1
Supports both modes (may be set to either mode by writing bit-2)
- 2 **Reserved**always reads 0
- 1 **Programmable Indicator - Primary** fixed at 1
Supports both modes (may be set to either mode by writing bit-0)
- 0 **Reserved**always reads 0

Compatibility Mode (fixed IRQs and I/O addresses):

Channel	Command Block	Control Block	IRQ
	Registers	Registers	
Pri	1F0-1F7	3F6	14
Sec	170-177	376	15

Native PCI Mode (registers are programmable in I/O space)

Channel	Command Block	Control Block
	Registers	Registers
Pri	BA @offset 10h	BA @offset 14h
Sec	BA @offset 18h	BA @offset 1Ch

Command register blocks are 8 bytes of I/O space
Control registers are 4 bytes of I/O space (only byte 2 is used)

Offset A - Sub Class Code (01h=IDE Controller) RO

Offset B - Base Class Code (01h=Mass Storage Ctrlr)... RO

Offset C - Cache Line Size (00h)..... RO

Offset D - Latency Timer (Default=0)..... RW

Offset E - Header Type (00h)..... RO

Offset F - BIST (00h)..... RO

Offset 13-10 - Pri Data / Command Base Address.....RW

Specifies an 8 byte I/O address space.

- 31-16 Reservedalways read 0
- 15-3 Port Address default=01F0h
- 2-0 Fixed at 001b fixed

Offset 17-14 - Pri Control / Status Base Address.....RW

Specifies a 4 byte I/O address space of which only the third byte is active (i.e., 3F6h for the default base address of 3F4h).

- 31-16 Reservedalways read 0
- 15-2 Port Address default=03F4h
- 1-0 Fixed at 01b fixed

Offset 1B-18 - Sec Data / Command Base AddressRW

Specifies an 8 byte I/O address space.

- 31-16 Reservedalways read 0
- 15-3 Port Address default=0170h
- 2-0 Fixed at 001b fixed

Offset 1F-1C - Sec Control / Status Base Address.....RW

Specifies a 4 byte I/O address space of which only the third byte is active (i.e., 376h for the default base address of 374h).

- 31-16 Reservedalways read 0
- 15-2 Port Address default=0374h
- 1-0 Fixed at 01b fixed

Offset 23-20 - Bus Master Control Regs Base Address..RW

Specifies a 16 byte I/O address space compliant with the SFF-8038i rev 1.0 specification.

- 31-16 Reservedalways read 0
- 15-4 Port Address default=CC0h
- 3-0 Fixed at 0001b fixed

Offset 34 - Capability Pointer (C0h) RO

Offset 3C - Interrupt Line (0Eh) RO

Offset 3D - Interrupt Pin (00h)..... RO

- 7-0 Interrupt Routing Mode
 - 00h Legacy mode interrupt routing..... default
 - 01h Native mode interrupt routing

Offset 3E - Min Gnt (00h) RO

Offset 3F - Max Latency (00h)..... RO

IDE-Controller-Specific Configuration Registers

Offset 40 - Chip Enable (00h).....RW

- 7-4 **Reserved** always reads 0
- 3-2 **Reserved (Do Not Program)**..... R/W, default = 0
- 1 **Primary Channel Enable**..... default = 0 (disabled)
- 0 **Secondary Channel Enable** default = 0 (disabled)

Offset 41 - IDE Configuration I (06h)RW

- 7 **Primary IDE Read Prefetch Buffer**
 - 0 Disabledefault
 - 1 Enable
- 6 **Primary IDE Post Write Buffer**
 - 0 Disabledefault
 - 1 Enable
- 5 **Secondary IDE Read Prefetch Buffer**
 - 0 Disabledefault
 - 1 Enable
- 4 **Secondary IDE Post Write Buffer**
 - 0 Disabledefault
 - 1 Enable
- 3-2 **Reserved** always reads 0
- 1 **Reserved (Do Not Program)**..... default=1
- 0 **Reserved** always reads 0

Offset 42 - IDE Configuration II (09h).....RW

- 7-2 **Reserved (Do Not Program)**..... default = 000010b
- 1-0 **DEVSEL# Timing Select** default = 01b
(also reflected in Rx07)

Offset 43 - FIFO Configuration (0Ah).....RW

- 7-4 **Reserved** always reads 0
- 3-2 **Threshold for Primary Channel**
 - 00 0
 - 01 1/4
 - 10 1/2default
 - 11 3/4
- 1-0 **Threshold for Secondary Channel**
 - 00 0
 - 01 1/4
 - 10 1/2default
 - 11 3/4

Offset 44 - Miscellaneous Control 1 (68h) RW

- 7 **Reserved** always reads 0
- 6 **Master Read Cycle IRDY# Wait States**
 - 0 0 wait states
 - 1 1 wait state default
- 5 **Master Write Cycle IRDY# Wait States**
 - 0 0 wait states
 - 1 1 wait state default
- 4 **PIO Read Prefetch Byte Counter**
 - 0 Disable default
 - 1 Enable
- 3 **Bus Master IDE Status Register Read Retry**
Retry bus master IDE status register read when master write operation for DMA read is not complete
 - 0 Disable
 - 1 Enable default
- 2 **Packet Command Prefetching**
 - 0 Disable default
 - 1 Enable
- 1 **Reserved** always reads 0
- 0 **UltraDMA Host Must Wait for First Strobe Before Termination**
 - 0 Enable default
 - 1 Disable

Offset 45 - Miscellaneous Control 2 (00h) RW

- 7 **Reserved** always reads 0
- 6 **Interrupt Steering Swap**
 - 0 Don't swap channel interrupts default
 - 1 Swap interrupts between the two channels
- 5 **Reserved** always reads 0
- 4 **Rx3C Write Protect**
 - 0 Disable default
 - 1 Enable
- 3 **Memory Read Multiple Command**
 - 0 Disable default
 - 1 Enable
- 2 **Memory Read and Invalidate Command**
 - 0 Disable default
 - 1 Enable
- 1-0 **Reserved** always reads 0

Offset 46 - Miscellaneous Control 3 (C0h) RW

- 7 **Primary Channel Read DMA FIFO Flush**
 - 0 Disable
 - 1 Enable FIFO flush for Read DMA when interrupt asserts primary channel. default
- 6 **Secondary Channel Read DMA FIFO Flush**
 - 0 Disable
 - 1 Enable FIFO flush for Read DMA when interrupt asserts secondary channel. default
- 5-0 **Reserved** always reads 0

Offset 4B-48 - Drive Timing Control (A8A8A8A8h).....RW

The following fields define the Active Pulse Width and Recovery Time for the IDE DIOR# and DIOW# signals:

- 31-28 Primary Drive 0 Active Pulse Width..... def=1010b
- 27-24 Primary Drive 0 Recovery Time..... def=1000b
- 23-20 Primary Drive 1 Active Pulse Width..... def=1010b
- 19-16 Primary Drive 1 Recovery Time..... def=1000b
- 15-12 Secondary Drive 0 Active Pulse Width .. def=1010b
- 11-8 Secondary Drive 0 Recovery Time def=1000b
- 7-4 Secondary Drive 1 Active Pulse Width .. def=1010b
- 3-0 Secondary Drive 1 Recovery Time def=1000b

The actual value for each field is the encoded value in the field plus one and indicates the number of PCI clocks.

Offset 4C - Address Setup Time (FFh).....RW

- 7-6 Primary Drive 0 Address Setup Time def = 11
- 5-4 Primary Drive 1 Address Setup Time def = 11
- 3-2 Secondary Drive 0 Address Setup Time def = 11
- 1-0 Secondary Drive 1 Address Setup Time def = 11

For each field above:

- 00 1T
- 01 2T
- 10 3T
- 11 4Tdefault

Offset 53-50 - UltraDMA Extended Timing Control..... RW

- 31 **Pri Drive 0 UltraDMA-Mode Enable Method**
 - 0 Enable by using "Set Feature" command..... def
 - 1 Enable by setting bit-30 of this register
- 30 **Pri Drive 0 UltraDMA-Mode Enable**
 - 0 Disable..... default
 - 1 Enable UltraDMA-Mode Operation
- 29 **Pri Drive 0 Transfer Mode**
 - 0 DMA or PIO Mode default
 - 1 UltraDMA Mode
- 28 **Pri Drive 0 Cabal Type Reporting**
 - 0 Disable..... default
 - 1 Enable
- 27 **Reserved**always reads 0
- 26-24 **Pri Drive 0 Cycle Time (T = 10nsec)**
 - 000 2T
 - 001 3T
 - 010 4T
 - 011 5T
 - 100 6T
 - 101 7T
 - 110 8T
 - 111 9T default
- 23 **Pri Drive 1 UltraDMA-Mode Enable Method**
- 22 **Pri Drive 1 UltraDMA-Mode Enable**
- 21 **Pri Drive 1 Transfer Mode**
- 20 **Pri Drive 1 Cabal Type Reporting**
 - 0 Disable..... default
 - 1 Enable
- 19 **Reserved**always reads 0
- 18-16 **Pri Drive 1 Cycle Time.....** (see above for default)
- 15 **Sec Drive 0 UltraDMA-Mode Enable Method**
- 14 **Sec Drive 0 UltraDMA-Mode Enable**
- 13 **Sec Drive 0 Transfer Mode**
- 12 **Sec Drive 0 Cabal Type Reporting**
 - 0 Disable..... default
 - 1 Enable
- 11 **Reserved**always reads 0
- 10-8 **Sec Drive 0 Cycle Time** (see above for default)
- 7 **Sec Drive 1 UltraDMA-Mode Enable Method**
- 6 **Sec Drive 1 UltraDMA-Mode Enable**
- 5 **Sec Drive 1 Transfer Mode**
- 4 **Sec Drive 1 Cabal Type Reporting**
 - 0 Disable..... default
 - 1 Enable
- 3 **Reserved**always reads 0
- 2-0 **Sec Drive 1 Cycle Time** (see above for default)

Each byte defines UltraDMA operation for the indicated drive. The bit definitions are the same within each byte.

Offset 54 – UltraDMA FIFO Control (06h).....RW

- 7-5 **Reserved** always reads 0
- 4 **One Frame For Each PCI Request For IDE PCI Master Cycles**
 - 0 **Disable**default
 - 1 **Enable**
- 3 **Reserved** always reads 0
- 2 **Change Drive to Clear All FIFO & Internal States**
 - 0 **Disable**
 - 1 **Enable**.....default
- 1 **Reserved** always reads 0
- 0 **Complete DMA Cycle with Transfer Size Less Than FIFO Size**
 - 0 **Enable**.....default
 - 1 **Disable**

Offset 61-60 - Primary Sector Size (0200h) RW

- 15-12 **Reserved** always reads 0
- 11-0 **Number of Bytes Per Sector** ...def=200h (512 bytes)

Offset 69-68 - Secondary Sector Size (0200h)..... RW

- 15-12 **Reserved** always reads 0
- 11-0 **Number of Bytes Per Sector** ...def=200h (512 bytes)

Offset 70 – Primary IDE StatusRW

- 7 **Interrupt Status**
- 6 **Prefetch Buffer Status**
- 5 **Post Write Buffer Status**
- 4 **DMA Read Prefetch Status**
- 3 **DMA Write Prefetch Status**
- 2 **S/G Operation Complete**
- 1 **FIFO Empty Status**
- 0 **Response to External DMAREQ**

Offset 71 – Primary Interrupt Control.....RW

- 7-1 **Reserved** always reads 0
- 0 **Flush FIFO Before Generating IDE Interrupt**
 - 0 **Disable**default
 - 1 **Enable**

Offset 78 – Secondary IDE Status RW

- 7 **Interrupt Status**
- 6 **Prefetch Buffer Status**
- 5 **Post Write Buffer Status**
- 4 **DMA Read Prefetch Status**
- 3 **DMA Write Prefetch Status**
- 2 **S/G Operation Complete**
- 1 **FIFO Empty Status**
- 0 **Response to External DMAREQ**

Offset 79 - Secondary Interrupt Control RW

- 7-1 **Reserved** always reads 0
- 0 **Flush FIFO Before Generating IDE Interrupt**
 - 0 **Disable**..... default
 - 1 **Enable**

Offset 83-80 – Primary S/G Descriptor AddressRW

Offset 8B-88 – Secondary S/G Descriptor AddressRW

Offset C3-C0 – PCI PM Block 1RO

31-0 PCI PM Block 1..... always reads 0002 0001h

Offset C7-C4 – PCI PM Block 2RO

31-2 Reserved always reads 0

1-0 Power State

00 Ondefault

01 Off

1x -reserved-

IDE I/O Registers

These registers are compliant with the SFF 8038I v1.0 standard. Refer to the SFF 8038I v1.0 specification for further details.

I/O Offset 0 - Primary Channel Command

I/O Offset 2 - Primary Channel Status

I/O Offset 4-7 - Primary Channel PRD Table Address

I/O Offset 8 - Secondary Channel Command

I/O Offset A - Secondary Channel Status

I/O Offset C-F - Secondary Channel PRD Table Address

Function 2 Registers - USB Controller Ports 0-1

This Universal Serial Bus host controller interface is fully compatible with UHCI specification v1.1. There are two sets of software accessible registers: PCI configuration registers and USB I/O registers. The PCI configuration registers are located in the function 2 PCI configuration space of the VT82C686B. The USB I/O registers are defined in UHCI specification v1.1. The registers in this function control USB ports 0-1 (see function 3 for ports 2-3).

PCI Configuration Space Header

Offset 1-0 - Vendor IDRO

0-7 Vendor ID (1106h = VIA Technologies)

Offset 3-2 - Device ID.....RO

0-7 Device ID (3038h = VT82C686B USB Controller)

Offset 5-4 - Command.....RW

- 15-8 Reserved always reads 0
- 7 Address Stepping default=0 (disabled)
- 6 Reserved (parity error response)fixed at 0
- 5 Reserved (VGA palette snoop)fixed at 0
- 4 Memory Write and Invalidate . default=0 (disabled)
- 3 Reserved (special cycle monitoring)fixed at 0
- 2 Bus Master default=0 (disabled)
- 1 Memory Space..... default=0 (disabled)
- 0 I/O Space default=0 (disabled)

Offset 7-6 - Status.....RWC

- 15 Reserved (detected parity error)..... always reads 0
- 14 Signalled System Error..... default=0
- 13 Received Master Abort..... default=0
- 12 Received Target Abort default=0
- 11 Signalled Target Abort..... default=0
- 10-9 DEVSEL# Timing
 - 00 Fast
 - 01 Mediumdefault (fixed)
 - 10 Slow
 - 11 Reserved
- 8-0 Reserved always reads 0

Offset 8 - Revision ID (nnh)..... RO

7-0 Silicon Revision Code (0 indicates first silicon)
06h Corresponds to Chip Revision D

Offset 9 - Programming Interface (00h) RO

Offset A - Sub Class Code (03h=USB Controller) RO

Offset B - Base Class Code (0Ch=Serial Bus Controller)RO

Offset C - Cache Line Size (00h)..... RO

Offset D - Latency Timer RW

7-0 Timer Value default = 16h

Offset E - Header Type (00h)..... RO

Offset F - BIST (00h)..... RO

Offset 23-20 - USB I/O Register Base Address..... RW

- 31-16 Reserved always reads 0
- 15-5 USB I/O Register Base Address. Port Address for the base of the 32-byte USB I/O Register block, corresponding to AD[15:5]
- 4-0 00001b

Offset 3C - Interrupt Line (00h)..... RW

- 7-4 Reserved always reads 0
- 3-0 USB Interrupt Routing default = 16h
 - 0000 Disable..... default
 - 0001 IRQ1
 - 0010 Reserved
 - 0011 IRQ3
 - 0100 IRQ4
 - 0101 IRQ5
 - 0110 IRQ6
 - 0111 IRQ7
 - 1000 IRQ8
 - 1001 IRQ9
 - 1010 IRQ10
 - 1011 IRQ11
 - 1100 IRQ12
 - 1101 IRQ13
 - 1110 IRQ14
 - 1111 Disable

Offset 3D - Interrupt Pin (04h)..... RO

USB-Specific Configuration Registers

Offset 40 - Miscellaneous Control 1.....RW

- 7 PCI Memory Command Option**
 - 0 Support Memory-Read-Line, Memory-Read-Multiple, & Memory-Write-&-Invalidate.... def
 - 1 Only support Mem Read, Mem Write Cmds
- 6 Babble Option**
 - 0 Automatically disable babbled port when EOF babble occurs.....default
 - 1 Don't disable babbled port
- 5 PCI Parity Check Option**
 - 0 Disable PERR# generation.....default
 - 1 Enable parity check and PERR# generation
- 4 Frame Interval Select**
 - 0 1 ms framedefault
 - 1 0.1 ms frame
- 3 USB Data Length Option**
 - 0 Support TD length up to 1280.....default
 - 1 Support TD length up to 1023
- 2 USB Power Management**
 - 0 Disable USB power managementdefault
 - 1 Enable USB power management
- 1 DMA Option**
 - 0 8 DW burst access with better FIFO latency def
 - 1 16 DW burst access (original performance)
- 0 PCI Wait States**
 - 0 Zero waitdefault
 - 1 One wait

Offset 41 - Miscellaneous Control 2 RW

- 7 USB 1.1 Improvement for EOP**
 - 0 USB Specification 1.1 Compliant..... default
If a bit stuffing error occurs before EOP, the receiver will accept the packet
 - 1 USB Specification 1.0 Compliant
If a bit stuffing error occurs before EOP, the receiver will ignore the packet
- 6-5 Reserved (Do Not Program) default = 0**
- 4 Hold PCI Request for Successive Accesses**
 - 0 Disable
 - 1 Enable default
Setting this bit to "enable" causes the system to treat the USB request as higher priority
- 3 Frame Counter Test Mode**
 - 0 Disable default
 - 1 Enable
- 2 Trap Option**
 - 0 Set trap 60/64 status bits only when trap 60/64 enable bits are set. default
 - 1 Set trap 60/64 status bits without checking enable bits
- 1 A20gate Pass Through Option**
 - 0 Pass through A20GATE command sequence defined in UHCI default
 - 1 Don't pass through Write I/O port 64 (ff)
- 0 USB IRQ Test Mode**
 - 0 Normal Operation default
 - 1 Generate USB IRQ

Offset 42 - FIFO Control.....RW

- 7-4 **Reserved** always reads 0
- 3-2 **Reserved (Do Not Program)**..... default = 0
- 1-0 **Release Continuous REQ After “N” PCICLKs**
 - 00 Do Not Releasedefault
 - 01 N = 32 PCICLKs
 - 10 N = 64 PCICLKs
 - 11 N = 96 PCICLKs

Offset 60 - Serial Bus Release Number.....RO

- 7-0 **Release Number**..... always reads 10h

Offset 83-80 – PM Capability.....RO

- 31-0 **PM Capability** always reads 00020001h

Offset 84 – PM Capability StatusRW

- 7-0 **PM Capability Status**..... default = 00h
Supports 00h (Off) and 11h (On) only

Offset C1-C0 - Legacy Support.....RO

- 15-0 **UHCI v1.1 Compliant** always reads 2000h

USB I/O Registers

These registers are compliant with the UHCI v1.1 standard. Refer to the UHCI v1.1 specification for further details.

I/O Offset 1-0 - USB Command

I/O Offset 3-2 - USB Status

I/O Offset 5-4 - USB Interrupt Enable

I/O Offset 7-6 - Frame Number

I/O Offset B-8 - Frame List Base Address

I/O Offset 0C - Start Of Frame Modify

I/O Offset 11-10 - Port 0 Status / Control

I/O Offset 13-12 - Port 1 Status / Control

Function 3 Registers - USB Controller Ports 2-3

This Universal Serial Bus host controller interface is fully compatible with UHCI specification v1.1. There are two sets of software accessible registers: PCI configuration registers and USB I/O registers. The PCI configuration registers are located in the function 3 PCI configuration space of the VT82C686B. The USB I/O registers are defined in UHCI specification v1.1. The registers in this function control USB ports 2-3 (see function 2 for ports 0-1).

PCI Configuration Space Header

Offset 1-0 - Vendor IDRO

0-7 Vendor ID (1106h = VIA Technologies)

Offset 3-2 - Device ID.....RO

0-7 Device ID (3038h = VT82C686B USB Controller)

Offset 5-4 - Command.....RW

- 15-8 Reserved always reads 0
- 7 Address Stepping default=0 (disabled)
- 6 Reserved (parity error response)fixed at 0
- 5 Reserved (VGA palette snoop)fixed at 0
- 4 Memory Write and Invalidate . default=0 (disabled)
- 3 Reserved (special cycle monitoring)fixed at 0
- 2 Bus Master default=0 (disabled)
- 1 Memory Space..... default=0 (disabled)
- 0 I/O Space default=0 (disabled)

Offset 7-6 - Status.....RWC

- 15 Reserved (detected parity error)..... always reads 0
- 14 Signalled System Error..... default=0
- 13 Received Master Abort..... default=0
- 12 Received Target Abort default=0
- 11 Signalled Target Abort..... default=0
- 10-9 DEVSEL# Timing
 - 00 Fast
 - 01 Mediumdefault (fixed)
 - 10 Slow
 - 11 Reserved
- 8-0 Reserved always reads 0

Offset 8 - Revision ID (nnh)..... RO

7-0 Silicon Revision Code (0 indicates first silicon)

Offset 9 - Programming Interface (00h) RO

Offset A - Sub Class Code (03h=USB Controller) RO

Offset B - Base Class Code (0Ch=Serial Bus Controller)RO

Offset C - Cache Line Size (00h)..... RO

Offset D - Latency Timer RW

7-0 Timer Value default = 16h

Offset E - Header Type (00h)..... RO

Offset F - BIST (00h)..... RO

Offset 23-20 - USB I/O Register Base Address..... RW

- 31-16 Reserved always reads 0
- 15-5 USB I/O Register Base Address. Port Address for the base of the 32-byte USB I/O Register block, corresponding to AD[15:5]
- 4-0 00001b

Offset 3C - Interrupt Line (00h)..... RW

- 7-4 Reserved always reads 0
- 3-0 USB Interrupt Routing default = 16h
 - 0000 Disable..... default
 - 0001 IRQ1
 - 0010 Reserved
 - 0011 IRQ3
 - 0100 IRQ4
 - 0101 IRQ5
 - 0110 IRQ6
 - 0111 IRQ7
 - 1000 IRQ8
 - 1001 IRQ9
 - 1010 IRQ10
 - 1011 IRQ11
 - 1100 IRQ12
 - 1101 IRQ13
 - 1110 IRQ14
 - 1111 Disable

Offset 3D - Interrupt Pin (04h)..... RO

USB-Specific Configuration Registers

Offset 40 - Miscellaneous Control 1.....RW

- 7 PCI Memory Command Option**
 - 0 Support Memory-Read-Line, Memory-Read-Multiple, & Memory-Write-&-Invalidate.... def
 - 1 Only support Mem Read, Mem Write Cmds
- 6 Babble Option**
 - 0 Automatically disable babbled port when EOF babble occurs.....default
 - 1 Don't disable babbled port
- 5 PCI Parity Check Option**
 - 0 Disable PERR# generation.....default
 - 1 Enable parity check and PERR# generation
- 4 Frame Interval Select**
 - 0 1 ms framedefault
 - 1 0.1 ms frame
- 3 USB Data Length Option**
 - 0 Support TD length up to 1280.....default
 - 1 Support TD length up to 1023
- 2 USB Power Management**
 - 0 Disable USB power management.....default
 - 1 Enable USB power management
- 1 DMA Option**
 - 0 8 DW burst access with better FIFO latency def
 - 1 16 DW burst access (original performance)
- 0 PCI Wait States**
 - 0 Zero waitdefault
 - 1 One wait

Offset 41 - Miscellaneous Control 2 RW

- 7 USB 1.1 Improvement for EOP**
 - 0 USB Specification 1.1 Compliant..... default
If a bit stuffing error occurs before EOP, the receiver will accept the packet
 - 1 USB Specification 1.0 Compliant
If a bit stuffing error occurs before EOP, the receiver will ignore the packet
- 6-5 Reserved (Do Not Program) default = 0**
- 4 Hold PCI Request for Successive Accesses**
 - 0 Disable
 - 1 Enable default

Setting this bit to "enable" causes the system to treat the USB request as higher priority
- 3 Frame Counter Test Mode**
 - 0 Disable default
 - 1 Enable
- 2 Trap Option**
 - 0 Set trap 60/64 status bits only when trap 60/64 enable bits are set. default
 - 1 Set trap 60/64 status bits without checking enable bits
- 1 A20gate Pass Through Option**
 - 0 Pass through A20GATE command sequence defined in UHCI default
 - 1 Don't pass through Write I/O port 64 (ff)
- 0 USB IRQ Test Mode**
 - 0 Normal Operation default
 - 1 Generate USB IRQ

Offset 42 - FIFO Control.....RW

- 7-4 **Reserved** always reads 0
- 3-2 **Reserved (Do Not Program)**..... default = 0
- 1-0 **Release Continuous REQ After “N” PCICLKs**
 - 00 Do Not Releasedefault
 - 01 N = 32 PCICLKs
 - 10 N = 64 PCICLKs
 - 11 N = 96 PCICLKs

Offset 60 - Serial Bus Release Number.....RO

- 7-0 **Release Number**..... always reads 10h

Offset 83-80 – PM Capability.....RO

- 31-0 **PM Capability** always reads 00020001h

Offset 84 – PM Capability StatusRW

- 7-0 **PM Capability Status**.....supports 00h and 11h only

Offset C1-C0 - Legacy Support.....RO

- 15-0 **UHCI v1.1 Compliant** always reads 2000h

USB I/O Registers

These registers are compliant with the UHCI v1.1 standard. Refer to the UHCI v1.1 specification for further details.

I/O Offset 1-0 - USB Command

I/O Offset 3-2 - USB Status

I/O Offset 5-4 - USB Interrupt Enable

I/O Offset 7-6 - Frame Number

I/O Offset B-8 - Frame List Base Address

I/O Offset 0C - Start Of Frame Modify

I/O Offset 11-10 - Port 0 Status / Control

I/O Offset 13-12 - Port 1 Status / Control

Function 4 Regs - Power Management, SMBus and HWM

This section describes the ACPI (Advanced Configuration and Power Interface) Power Management system of the VT82C686B which includes a System Management Bus (SMBus) interface controller and Hardware Monitoring (HWM) subsystem. The power management system of the VT82C686B supports both ACPI and legacy power management functions and is compatible with the APM v1.2 and ACPI v1.0 specifications.

PCI Configuration Space Header

Offset 1-0 - Vendor IDRO

0-7 Vendor ID (1106h = VIA Technologies)

Offset 3-2 - Device ID.....RO

0-7 Device ID (3057h = ACPI Power Mgmt)

Offset 5-4 - Command.....RW

- 15-8 Reserved always reads 0
- 7 Address Steppingfixed at 0
- 6 Reserved (parity error response)fixed at 0
- 5 Reserved (VGA palette snoop)fixed at 0
- 4 Memory Write and Invalidatefixed at 0
- 3 Reserved (special cycle monitoring)fixed at 0
- 2 Bus Masterfixed at 0
- 1 Memory Spacefixed at 0
- 0 I/O Spacefixed at 0

Offset 7-6 - Status.....RWC

- 15 Detected Parity Error always reads 0
- 14 Signalled System Error always reads 0
- 13 Received Master Abort always reads 0
- 12 Received Target Abort always reads 0
- 11 Signalled Target Abort always reads 0
- 10-9 DEVSEL# Timing
 - 00 Fast
 - 01 Mediumdefault (fixed)
 - 10 Slow
 - 11 Reserved
- 8 Data Parity Detected always reads 0
- 7 Fast Back to Back Capable always reads 1
- 6-0 Reserved always reads 0

Offset 8 - Revision ID (nnh)..... RO

7-0 Silicon Revision Code

Offset 9 - Programming Interface (00h) RO

The value returned by this register may be changed by writing the desired value to PCI Configuration Function 4 offset 61h.

Offset A - Sub Class Code (00h)..... RO

The value returned by this register may be changed by writing the desired value to PCI Configuration Function 4 offset 62h.

Offset B - Base Class Code (00h)..... RO

The value returned by this register may be changed by writing the desired value to PCI Configuration Function 4 offset 63h.

Offset 0D - Latency Timer RW

7-0 Timer Value default = 0

Offset 0E - Header Type (00h)..... RO

Power Management-Specific PCI Configuration Registers

Offset 40 – General Configuration 0RW

- 7 Thermal Alarm Source Select**
 - 0 From pin T11 (Function 0 Rx74[1] must be set to define the pin as THRM#).....default
 - 1 From any of the three internal temperature sensing circuits (see Rx43 and Rx44 of Hardware Monitoring configuration space)
- 6 Sleep Button**
 - 0 Disabledefault
 - 1 Sleep Button is on IRQ6 pin (pin G1)
- 5 Debounce LID and PWRBTN# Inputs for 200us**
 - 0 Disabledefault
 - 1 Enable
- 4 Reserved** always reads 0
- 3 Microsoft Sound Monitor in Audio Access**
 - 0 Disabledefault
 - 1 Enable
- 2 Game Port Monitor in Audio Access**
 - 0 Disabledefault
 - 1 Enable
- 1 SoundBlaster Monitor in Audio Access**
 - 0 Disabledefault
 - 1 Enable
- 0 MIDI Monitor in Audio Access**
 - 0 Disabledefault
 - 1 Enable

Offset 41 - General Configuration 1..... RW

- 7 I/O Enable for ACPI I/O Base**
 - 0 Disable access to ACPI I/O block..... default
 - 1 Allow access to Power Management I/O Register Block (see offset 4B-48 to set the base address for this register block). The definitions of the registers in the Power Management I/O Register Block are included later in this document, following the Power Management Subsystem overview.
- 6 ACPI Timer Reset**
 - 0 Normal Timer Operation default
 - 1 Reset Timer
- 5-4 PMU Timer Test Mode (Do Not Program)def = 0**
- 3 ACPI Timer Count Select**
 - 0 24-bit Timer..... default
 - 1 32-bit Timer
- 2 RTC Enable Signal Gated with PSON (SUSC#) in Soft-Off Mode**
 - 0 Disable..... default
 - 1 Enable
- 1 STPCLK Timer Tick Base Select**
 - 0 30 usec default
 - 1 1 msec
- 0 DEVSEL# Test Mode (Do Not Program).....def = 0**

Offset 42 - ACPI Interrupt SelectRW

- 7 ATX / AT Power Indicator..... RO
 - 0 ATX
 - 1 AT
- 6 SUSC# State..... RO
- 5 Reserved always reads 0
- 4 SUSC# AC-Power-On Default Value RO
This bit is written at RTC Index 0D bit-7.
- 3-0 SCI Interrupt Assignment
 - 0000 Disabledefault
 - 0001 IRQ1
 - 0010 Reserved
 - 0011 IRQ3
 - 0100 IRQ4
 - 0101 IRQ5
 - 0110 IRQ6
 - 0111 IRQ7
 - 1000 IRQ8
 - 1001 IRQ9
 - 1010 IRQ10
 - 1011 IRQ11
 - 1100 IRQ12
 - 1101 IRQ13
 - 1110 IRQ14
 - 1111 IRQ15

Offset 43 – Internal Timer Read Test.....RO

- 7-0 Internal Timer Read Test

Offset 45-44 - Primary Interrupt Channel (0000h) RW

- 15 1/0 = Ena/Disa IRQ15 as Primary Intrpt Channel
- 14 1/0 = Ena/Disa IRQ14 as Primary Intrpt Channel
- 13 1/0 = Ena/Disa IRQ13 as Primary Intrpt Channel
- 12 1/0 = Ena/Disa IRQ12 as Primary Intrpt Channel
- 11 1/0 = Ena/Disa IRQ11 as Primary Intrpt Channel
- 10 1/0 = Ena/Disa IRQ10 as Primary Intrpt Channel
- 9 1/0 = Ena/Disa IRQ9 as Primary Intrpt Channel
- 8 1/0 = Ena/Disa IRQ8 as Primary Intrpt Channel
- 7 1/0 = Ena/Disa IRQ7 as Primary Intrpt Channel
- 6 1/0 = Ena/Disa IRQ6 as Primary Intrpt Channel
- 5 1/0 = Ena/Disa IRQ5 as Primary Intrpt Channel
- 4 1/0 = Ena/Disa IRQ4 as Primary Intrpt Channel
- 3 1/0 = Ena/Disa IRQ3 as Primary Intrpt Channel
- 2 Reservedalways reads 0
- 1 1/0 = Ena/Disa IRQ1 as Primary Intrpt Channel
- 0 1/0 = Ena/Disa IRQ0 as Primary Intrpt Channel

Offset 47-46 - Secondary Interrupt Channel (0000h).... RW

- 15 1/0 = Ena/Disa IRQ15 as Secondary Intr Channel
- 14 1/0 = Ena/Disa IRQ14 as Secondary Intr Channel
- 13 1/0 = Ena/Disa IRQ13 as Secondary Intr Channel
- 12 1/0 = Ena/Disa IRQ12 as Secondary Intr Channel
- 11 1/0 = Ena/Disa IRQ11 as Secondary Intr Channel
- 10 1/0 = Ena/Disa IRQ10 as Secondary Intr Channel
- 9 1/0 = Ena/Disa IRQ9 as Secondary Intr Channel
- 8 1/0 = Ena/Disa IRQ8 as Secondary Intr Channel
- 7 1/0 = Ena/Disa IRQ7 as Secondary Intr Channel
- 6 1/0 = Ena/Disa IRQ6 as Secondary Intr Channel
- 5 1/0 = Ena/Disa IRQ5 as Secondary Intr Channel
- 4 1/0 = Ena/Disa IRQ4 as Secondary Intr Channel
- 3 1/0 = Ena/Disa IRQ3 as Secondary Intr Channel
- 2 Reservedalways reads 0
- 1 1/0 = Ena/Disa IRQ1 as Secondary Intr Channel
- 0 1/0 = Ena/Disa IRQ0 as Secondary Intr Channel

Offset 4B-48 – Power Management I/O BaseRW

- 31-16 Reserved** always reads 0
- 15-7 Power Management I/O Register Base Address.**
Port Address for the base of the 128-byte Power Management I/O Register block, corresponding to AD[15:7]. The "I/O Space" bit at offset 41 bit-7 enables access to this register block. The definitions of the registers in the Power Management I/O Register Block are included in the following section this document.
- 6-0 000001b**

Offset 4C – Host Bus Power Management Control.....RW

- 7-4 Thermal Duty Cycle (THM_DTY)**
This 4-bit field determines the duty cycle of the STPCLK# signal when the THRM# pin is asserted low. The field is decoded as follows:
0000 Reserved.....default
0001 0-6.25%
0010 6.25-12.50%
0011 18.75-25.00%
0100 31.25-37.50%
0101 37.50-43.75%
0110 43.75-50.00%
0111 50.00-56.25%
1000 56.25-62.50%
1001 62.50-68.75%
1010 68.75-75.00%
1011 75.00-87.50%
1100 75.00-81.25%
1101 81.25-87.50%
1110 87.50-93.75%
1111 93.75-100%
- 3 THRM Enable**
0 Disabledefault
1 Enable
- 2 Frame Input as Resume Event in C3**
0 Disabledefault
1 Enable
- 1 Reserved** always reads 0
- 0 CPU Stop Grant Cycle Select**
0 From Halt and Stop Grant Cycledefault
1 From Stop Grant Cycle
This bit is combined with I/O space Rx2C[3] for controlling the start of CPUSTP# assertion during system suspend mode:

Rx2C[3]	Rx4C[0]	
Function 4	Function 4	
<u>I/O Space</u>	<u>Cfg Space</u>	<u>CPUSTP# Assertion</u>
0	x	Immediate
1	0	Wait for CPU Halt / Stop Grant cycle
1	1	Wait for CPU Stop Grant cycle

Offset 4D – Throttle / Clock Stop Control..... RW

- 7 Throttle Timer Reset**.....def = 0
- 6-5 Throttle Timer**
0x 4-Bit default
10 3-Bit
11 2-Bit
- 4 Fast Clock (7.5us) as Throttle Timer Tick**
0 Disable..... default
1 Enable
- 3 SMI Level Output (Low)**
0 Disable..... default
1 Enable (set this bit for socket-370 coppermine)
- 2 Internal Clock Stop for PCI Idle**
0 Disable..... default
1 Enable
- 1 Internal Clock Stop During C3**
0 Disable..... default
1 Enable
- 0 Internal Clock Stop During Suspend**
0 Disable..... default
1 Enable

Offset 53-50 - GP Timer Control (0000 0000h)RW

- 31-30 Conserve Mode Timer Count Value**
 00 1/16 seconddefault
 01 1/8 second
 10 1 second
 11 1 minute

29 Conserve Mode Status
 This bit reads 1 when in Conserve Mode

- 28 Conserve Mode Enable**
 0 Disabledefault
 1 Enable

- 27-26 Secondary Event Timer Count Value**
 00 2 milliseconds.....default
 01 64 milliseconds
 10 1/2 second
 11 by EOI + 0.25 milliseconds

25 Secondary Event Occurred Status
 This bit reads 1 to indicate that a secondary event has occurred (to resume the system from suspend) and the secondary event timer is counting down.

- 24 Secondary Event Timer Enable**
 0 Disabledefault
 1 Enable

23-16 GP1 Timer Count Value (base defined by bits 5-4)
 Write to load count value; Read to get current count

15-8 GP0 Timer Count Value (base defined by bits 1-0)
 Write to load count value; Read to get current count

7 GP1 Timer Start
 On setting this bit to 1, the GP1 timer loads the value defined by bits 23-16 of this register and starts counting down. The GP1 timer is reloaded at the occurrence of certain peripheral events enabled in the GP Timer Reload Enable Register (Power Management I/O Space Offset 38h). If no such event occurs and the GP1 timer counts down to zero, then the GP1 Timer Timeout Status bit is set to one (bit-3 of the Global Status register at Power Management Register I/O Space Offset 28h). Additionally, if the GP1 Timer Timeout Enable bit is set (bit-3 of the Global Enable register at Power Management Register I/O Space Offset 2Ah), then an SMI is generated.

- 6 GP1 Timer Automatic Reload**
 0 GP1 Timer stops at 0default
 1 Reload GP1 timer automatically after counting down to 0

- 5-4 GP1 Timer Base**
 00 Disabledefault
 01 1/16 second
 10 1 second
 11 1 minute

3 GP0 Timer Start
 On setting this bit to 1, the GP0 timer loads the value defined by bits 15-8 of this register and starts counting down. The GP0 timer is reloaded at the occurrence of certain peripheral events enabled in the GP Timer Reload Enable Register (Power Management I/O Space Offset 38h). If no such event occurs and the GP0 timer counts down to zero, then the GP0 Timer Timeout Status bit is set to one (bit-2 of the Global Status register at Power Management Register I/O Space Offset 28h). Additionally, if the GP0 Timer Timeout Enable bit is set (bit-2 of the Global Enable register at Power Management Register I/O Space Offset 2Ah), then an SMI is generated.

- 2 GP0 Timer Automatic Reload**
 0 GP0 Timer stops at 0 default
 1 Reload GP0 timer automatically after counting down to 0

- 1-0 GP0 Timer Base**
 00 Disable default
 01 1/16 second
 10 1 second
 11 1 minute

Offset 54 – Power Well Control..... WO

- 7 SMBus Clock Select**
 - 0 SMBus Clock from 14.31818 MHz Divider def
 - 1 SMBus Clock from RTC 32.768 KHz
- 6 STR Power Well Output Gating**
 - 0 Disabledefault
 - 1 Enable
- 5 SUSC# = 0 for STR**
 - 0 Disabledefault
 - 1 Enable
- 4 SUSST1# / GPO3 Select (Pin V10)**
 - 0 SUSST1#.....default
 - 1 GPO3
- 3 GPO2 / SUSB# Select (Pin W9)**
 - 0 SUSB#.....default
 - 1 GPO2

Before chip rev C, this definition was reversed
See also Function 0 Rx74[7] and 77[4]
- 2 GPO1 / SUSA# Select (Pin V9)**
 - 0 SUSA#default
 - 1 GPO1

Before chip rev C, this definition was reversed
See also Function 0 Rx74[7] and 77[4]
- 1-0 GPO0 (SLOWCLK) Output Selection (Pin T8)**
 - 00 From GPO0 (PMU I/O Rx4C[0]).....default
 - 01 1 Hz
 - 10 4 Hz
 - 11 16 Hz

Offset 55 – USB Wakeup..... RW

- 7-3 Reserved**always reads 0
- 2 Deassert SUSST1# Before PWRGD Rising for S5 Wakeup**
 - 0 Disable..... default
 - 1 Enable
- 1 Reserved**always reads 0
- 0 USB Wakeup for STR/STD/Soff**
 - 0 Disable..... default
 - 1 Enable

Offset 57 – Miscellaneous Control..... RW

- 7-1 Reserved**always reads 0
- 0 Internal THRM# Output on GPO21**
 - 0 Disable..... default
 - 1 Enable

Offset 58 – GP2 / GP3 Timer ControlRW

7 GP3 Timer Start

On setting this bit to 1, the GP3 timer loads the value defined by Rx5A and starts counting down. The GP3 timer is reloaded at the occurrence of certain events enabled in the GP Timer Reload Enable Register (Power Management I/O Space Offset 38h). If no such event occurs and the GP3 timer counts down to zero, then the GP3 Timer Timeout Status bit is set to one (bit-13 of the Global Status register at Power Management Register I/O Space Offset 28h). Additionally, if the GP3 Timer Timeout Enable bit is set (bit-13 of the Global Enable register at Power Management Register I/O Space Offset 2Ah), then an SMI is generated.

6 GP3 Timer Automatic Reload

- 0 GP3 Timer stops at 0default
- 1 Reload GP3 timer automatically after counting down to 0

5-4 GP3 Timer Tick Select

- 00 Disabledefault
- 01 1/16 second
- 10 1 second
- 11 1 minute

3 GP2 Timer Start

On setting this bit to 1, the GP2 timer loads the value defined by Rx59 and starts counting down. The GP2 timer is reloaded at the occurrence of certain events enabled in the GP Timer Reload Enable Register (Power Management I/O Space Offset 38h). If no such event occurs and the GP2 timer counts down to zero, then the GP2 Timer Timeout Status bit is set to one (bit-12 of the Global Status register at Power Management Register I/O Space Offset 28h). Additionally, if the GP2 Timer Timeout Enable bit is set (bit-12 of the Global Enable register at Power Management Register I/O Space Offset 2Ah), then an SMI is generated.

2 GP2 Timer Automatic Reload

- 0 GP2 Timer stops at 0default
- 1 Reload GP2 timer automatically after counting down to 0

1-0 GP2 Timer Tick Select

- 00 Disabledefault
- 01 1/16 second
- 10 1 second
- 11 1 minute

Offset 59 – GP2 Timer..... RW

- 7 **Write: GP2 Timer Load Value.....default = 0**
Read: GP2 Timer Current Count

Offset 5A – GP3 Timer..... RW

- 7 **Write: GP3 Timer Load Value.....default = 0**
Read: GP3 Timer Current Count

Offset 61 – Program Interface Read Value..... WO

7-0 Rx09 Read Value

The value returned by the register at offset 9h (Programming Interface) may be changed by writing the desired value to this location.

Offset 62 - Sub Class Read Value..... WO

7-0 Rx0A Read Value

The value returned by the register at offset 0Ah (Sub Class Code) may be changed by writing the desired value to this location.

Offset 63 - Base Class Read Value WO

7-0 Rx0B Read Value

The value returned by the register at offset 0Bh (Base Class Code) may be changed by writing the desired value to this location.

Hardware-Monitor-Specific Configuration Registers

Offset 71-70 – Hardware Monitor I/O BaseRW

- 15-7 I/O Base (128-byte I/O space) default = 0
- 6-0 Fixed always reads 0000001b

Offset 74 –Hardware Monitor ControlRW

- 7-4 Reserved always reads 0
- 3 **Hardware Monitoring Interrupt**
 - 0 SMIdefault
 - 1 SCI
- 2-1 Reserved always reads 0
- 0 **Hardware Monitoring I/O Enable**
 - 0 Disable hardware monitor functions.....default
 - 1 Enable hardware monitor functions

System Management Bus-Specific Configuration Registers

Offset 93-90 – SMBus I/O Base RW

- 31-16 Reserved always reads 0
- 15-4 I/O Base (16-byte I/O space)..... default = 00h
- 3-0 Fixedalways reads 0001b

Offset D2 – SMBus Host Configuration RW

- 7-4 Reservedalways reads 0
- 3 **SMBus Interrupt Select**
 - 0 SMI default
 - 1 SCI
- 2 **SMBus Clock Select**
 - 0 Divide down from 14.31818 MHz..... default
 - 1 64 KHz derived from 32.768 KHz RTC clock
- 1 **SMBus IRQ**
 - 0 Disable..... default
 - 1 Enable
- 0 **SMBus Host Controller Enable**
 - 0 Disable SMB controller functions default
 - 1 Enable SMB controller functions

Offset D3 – SMBus Host Slave Command..... RW

- 7-0 SMBus Host Slave Command Code..... default=0

Offset D4 – SMBus Slave Address for Port 1..... RW

- 7-0 SMBus Slave Address for Port 1..... default=0
- Bit-0 must be set to 0 for proper operation

Offset D5 – SMBus Slave Address for Port 2..... RW

- 7-0 SMBus Slave Address for Port 2..... default=0
- Bit-0 must be set to 0 for proper operation

Offset D6 – SMBus Revision ID RO

- 7-0 SMBus Revision Code

Power Management I/O-Space Registers

Basic Power Management Control and Status

I/O Offset 1-0 - Power Management StatusRWC

The bits in this register are set only by hardware and can be reset by software by writing a one to the desired bit position.

- 15 Wakeup Status (WAK_STS) default = 0**
This bit is set when the system is in the suspend state and an enabled resume event occurs. Upon setting this bit, the system automatically transitions from the suspend state to the normal working state (from C3 to C0 for the processor).
- 14-12 Reserved always reads 0**
- 11 Abnormal Power-Off (APO_STS)..... default = 0**
- 10 RTC Status (RTC_STS) default = 0**
This bit is set when the RTC generates an alarm (on assertion of the RTC IRQ signal).
- 9 Sleep Button Status (SB_STS)..... default = 0**
This bit is set when the sleep button (SLPBTN# / IRQ6 / GPI4) is pressed.
- 8 Power Button Status (PB_STS)..... default = 0**
This bit is set when the PWRBTN# signal is asserted LOW. If the PWRBTN# signal is held LOW for more than four seconds, this bit is cleared and the system will transition into the soft off state.
- 7-6 Reserved always reads 0**
- 5 Global Status (GBL_STS)..... default = 0**
This bit is set by hardware when BIOS_RLS is set (typically by an SMI routine to release control of the SCI/SMI lock). When this bit is cleared by software (by writing a one to this bit position) the BIOS_RLS bit is also cleared at the same time by hardware.
- 4 Bus Master Status (BM_STS) default = 0**
This bit is set when a system bus master requests the system bus. All PCI master, ISA master and ISA DMA devices are included.
- 3-1 Reserved always reads 0**
- 0 ACPI Timer Carry Status (TMR_STS) .. default = 0**
The bit is set when the 23rd (31st) bit of the 24 (32) bit ACPI power management timer changes.

I/O Offset 3-2 - Power Management Enable RW

The bits in this register correspond to the bits in the Power Management Status Register at offset 1-0.

- 15 Reserved always reads 0**
- 14-12 Reserved always reads 0**
- 11 Reserved always reads 0**
- 10 RTC Enable (RTC_EN)..... default = 0**
This bit may be set to trigger either an SCI or an SMI (depending on the setting of the SCI_EN bit) to be generated when the RTC_STS bit is set.
- 9 Sleep Button Enable (SB_EN) default = 0**
This bit may be set to trigger either an SCI or SMI when the SB_STS bit is set.
- 8 Power Button Enable (PB_EN) default = 0**
This bit may be set to trigger either an SCI or an SMI (depending on the setting of the SCI_EN bit) to be generated when the PB_STS bit is set.
- 7-6 Reserved always reads 0**
- 5 Global Enable (GBL_EN)..... default = 0**
This bit may be set to trigger either an SCI or an SMI (depending on the setting of the SCI_EN bit) to be generated when the GBL_STS bit is set.
- 4 Reserved always reads 0**
- 3-1 Reserved always reads 0**
- 0 ACPI Timer Enable (TMR_EN) default = 0**
This bit may be set to trigger either an SCI or an SMI (depending on the setting of the SCI_EN bit) to be generated when the TMR_STS bit is set.

I/O Offset 5-4 - Power Management ControlRW

- 15 **Soft Resume**
- 14 **Reserved** always reads 0
- 13 **Sleep Enable (SLP_EN)**..... always reads 0

This is a write-only bit; reads from this bit always return zero. Writing a one to this bit causes the system to sequence into the sleep (suspend) state defined by the SLP_TYP field.

12-10 Sleep Type (SLP_TYP)

- 000 Normal On
- 001 Suspend to RAM (STR)
- 010 Suspend to Disk (STD) (also called Soft Off).
The VCC power plane is turned off while the VCCS and VBAT planes remain on.
- 011 Reserved
- 100 Power On Suspend without Reset
- 101 Power On Suspend with CPU Reset
- 110 Power On Suspend with CPU/PCI Reset
- 111 Reserved

In any sleep state, there is minimal interface between powered and non-powered planes so that the effort for hardware design may be well managed.

- 9 **Reserved** always reads 0

8 STD Command Generates System Reset Only

- 0 Disabledefault
- 1 Enable

- 7-3 **Reserved** always reads 0

2 Global Release (GBL_RLS) WO, default = 0

This bit is set by ACPI software to indicate the release of the SCI / SMI lock. Upon setting of this bit, the hardware automatically sets the BIOS_STS bit. The bit is cleared by hardware when the BIOS_STS bit is cleared by software. Note that the setting of this bit will cause an SMI to be generated if the BIOS_EN bit is set (bit-5 of the Global Enable register at offset 2Ah).

1 Bus Master Reload (BMS_RLD)

- 0 Bus master requests are ignored by power management logic.....default
- 1 Bus master requests transition the processor from the C3 state to the C0 state

0 SCI Enable (SCI_EN)

Selects the power management event to generate either an SCI or SMI (for Power / Sleep Buttons & RTC only)

- 0 Generate SMIdefault
- 1 Generate SCI

Note that certain power management events can be programmed individually to generate an SCI or SMI independent of the setting of this bit (refer to the General Purpose SCI Enable and General Purpose SMI Enable registers at offsets 22 and 24). Also, TMR_STS & GBL_STS always generate SCI and BIOS_STS always generates SMI.

I/O Offset 0B-08 - Power Management Timer RW

31-24 Extended Timer Value (ETM_VAL)

This field reads back 0 if the 24-bit timer option is selected (Rx41 bit-3).

23-0 Timer Value (TMR_VAL)

This read-only field returns the running count of the power management timer. This is a 24/32-bit counter that runs off a 3.579545 MHz clock, and counts while in the S0 (working) system state. The timer is reset to an initial value of zero during a reset, and then continues counting until the 14.31818 MHz input to the chip is stopped. If the clock is restarted without a reset, then the counter will continue counting from where it stopped.

Processor Power Management Registers

I/O Offset 13-10 - Processor & PCI Bus Control.....RW

- 31-12 **Reserved** always reads 0
- 11 **PCI Stop (PCISTP# asserted) when PCKRUN# is Deasserted (PCI_STP)**
 - 0 Enable.....default
 - 1 Disable
- 10 **PCI Bus Clock Run Without Stop (PCI_RUN)**
 - 0 PCKRUN# will be de-activated after the PCI bus is idle for 26 clocks.....default
 - 1 PCKRUN# is always asserted
- 9 **Host Clock Stop Enable (HOST_STP)**
 - 0 STPCLK# will be asserted in the C3 state, but the CPU clock is not stoppeddefault
 - 1 CPU clock is stopped in the C3 state
- 8 **Assert SLP# for Processor Level 3 Read**
 - 0 Disabledefault
 - 1 Enable

Used in Slot-1 systems only.
- 7-5 **Reserved** always reads 0
- 4 **Throttling Enable (THT_EN)**

Setting this bit starts clock throttling (modulating the STPCLK# signal) regardless of the CPU state. The throttling duty cycle is determined by bits 3-0 of this register.
- 3-0 **Throttling Duty Cycle (THT_DTY)**

This 4-bit field determines the duty cycle of the STPCLK# signal when the system is in throttling mode (the "Throttling Enable" bit is set to one). The duty cycle indicates the percentage of time the STPCLK# signal is asserted while the Throttling Enable bit is set. The field is decoded as follows:

 - 0000 Reserved
 - 0001 0-6.25%
 - 0010 6.25-12.50%
 - 0011 18.75-25.00%
 - 0100 31.25-37.50%
 - 0101 37.50-43.75%
 - 0110 43.75-50.00%
 - 0111 50.00-56.25%
 - 1000 56.25-62.50%
 - 1001 62.50-68.75%
 - 1010 68.75-75.00%
 - 1011 75.00-87.50%
 - 1100 75.00-81.25%
 - 1101 81.25-87.50%
 - 1110 87.50-93.75%
 - 1111 93.75-100%

I/O Offset 14 - Processor Level 2..... RO

- 7-0 **Level 2**always reads 0
- Reads from this register put the processor into the Stop Grant state (the VT82C686B asserts STPCLK# to suspend the processor). Wake up from Stop Grant state is by interrupt (INTR, SMI, and SCI).

Reads from this register return all zeros; writes to this register have no effect.

I/O Offset 15 - Processor Level 3..... RO

- 7-0 **Level 3**always reads 0
- Reads from this register put the processor in the C3 clock state with the STPCLK# signal asserted. If Rx10[9] = 1 then the CPU clock is also stopped by asserting CPUTP#. Wakeup from the C3 state is by interrupt (INTR, SMI, and SCI).

Reads from this register return all zeros; writes to this register have no effect.

General Purpose Power Management Registers

I/O Offset 21-20 - General Purpose Status (GP_STS).RWC

- 15 **Reserved** always reads 0
- 14 **USB Wake-Up Status (UWAK_STS)**
For STR / STD / Soff
- 13 **AC97 Wake-Up Status (AWAK_STS)**
Can be set only in suspend mode
- 12 **Battery Low Status (BL_STS)**
This bit is set when the BATLOW# input is asserted low.
- 11 **Notebook Lid Status (LID_STS)**
This bit is set when the LID input detects the edge selected by Rx2C bit-7 (0=rising, 1=falling).
- 10 **Thermal Detect Status (THRM_STS)**
This bit is set when the THRM input detects the edge selected by Rx2C bit-6 (0=rising, 1=falling).
- 9 **USB Resume Status (USB_STS)**
This bit is set when a USB peripheral generates a resume event.
- 8 **Ring Status (RING_STS)**
This bit is set when the RING# input is asserted low.
- 7 **GPI18 Toggle Status (GPI18_STS)**
This bit is set when the GPI18 pin is toggled.
- 6 **GPI6 / EXTSMI6 Toggle Status (GPI6_STS)**
This bit is set when the GPI6 pin is toggled.
- 5 **GPI5 Toggle Status (GPI5_STS)**
This bit is set when the GPI5 pin is toggled.
- 4 **GPI4 / EXTSMI4 Toggle Status (GPI4_STS)**
This bit is set when the GPI4 pin is toggled.
- 3 **GPI17 Toggle Status (GPI17_STS)**
This bit is set when the GPI17 pin is toggled.
- 2 **GPI16 Toggle Status (GPI16_STS)**
This bit is set when the GPI16 pin is toggled.
- 1 **GPI1 Toggle Status (GPI1_STS)**
This bit is set when the GPI1 pin is toggled.
- 0 **EXTSMI# Status (EXT_STS)**
This bit is set when the EXTSMI# pin is asserted low.

Note that the above bits correspond one for one with the bits of the General Purpose SCI Enable and General Purpose SMI Enable registers at offsets 22 and 24: an SCI or SMI is generated if the corresponding bit of the General Purpose SCI or SMI Enable registers, respectively, is set to one.

The above bits are set by hardware only and can only be cleared by writing a one to the desired bit.

I/O Offset 23-22 - General Purpose SCI Enable RW

- 15 **Reserved** always reads 0
- 14 **Enable SCI on setting of the UWAK_STS bit** def=0
- 13 **Enable SCI on setting of the AWAK_STS bit** def=0
- 12 **Enable SCI on setting of the BL_STS bit**def=0
- 11 **Enable SCI on setting of the LID_STS bit**def=0
- 10 **Enable SCI on setting of the THRM_STS bit** def=0
- 9 **Enable SCI on setting of the USB_STS bit**def=0
- 8 **Enable SCI on setting of the RING_STS bit** .def=0
- 7 **Enable SCI on setting of the GPI18_STS bit**..def=0
- 6 **Enable SCI on setting of the GPI6_STS bit**....def=0
- 5 **Enable SCI on setting of the GPI5_STS bit**....def=0
- 4 **Enable SCI on setting of the GPI4_STS bit**....def=0
- 3 **Enable SCI on setting of the GPI17_STS bit**..def=0
- 2 **Enable SCI on setting of the GPI16_STS bit**..def=0
- 1 **Enable SCI on setting of the GPI1_STS bit**....def=0
- 0 **Enable SCI on setting of the EXT_STS bit**def=0

These bits allow generation of an SCI using a separate set of conditions from those used for generating an SMI.

I/O Offset 25-24 - General Purpose SMI Enable RW

- 15-14 **Reserved** always reads 0
- 13 **Enable SMI on setting of the AWAK_STS bit** def=0
- 12 **Enable SMI on setting of the BL_STS bit**def=0
- 11 **Enable SMI on setting of the LID_STS bit**def=0
- 10 **Enable SMI on setting of the THRM_STS bit** def=0
- 9 **Enable SMI on setting of the USB_STS bit** ...def=0
- 8 **Enable SMI on setting of the RING_STS bit** def=0
- 7 **Enable SMI on setting of the GPI18_STS bit**..def=0
- 6 **Enable SMI on setting of the GPI6_STS bit**...def=0
- 5 **Enable SMI on setting of the GPI5_STS bit**...def=0
- 4 **Enable SMI on setting of the GPI4_STS bit**...def=0
- 3 **Enable SMI on setting of the GPI17_STS bit**..def=0
- 2 **Enable SMI on setting of the GPI16_STS bit**..def=0
- 1 **Enable SMI on setting of the GPI1_STS bit**...def=0
- 0 **Enable SMI on setting of the EXT_STS bit**....def=0

These bits allow generation of an SMI using a separate set of conditions from those used for generating an SCI.

Generic Power Management Registers

I/O Offset 29-28 - Global Status.....RWC

- 15 **GPIO Range 1 Access Status (GR1_STS)** def=0
- 14 **GPIO Range 0 Access Status (GR0_STS)** def=0
- 13 **GP3 Timer Timeout Status (G3TO_STS)** def=0
- 12 **GP2 Timer Timeout Status (G2TO_STS)** def=0
- 11 **SERIRQ SMI Status (SSMI_STS)**..... def=0
- 10 **SLP Ena (Rx5[5]) Wr SMI Status (SE_STS)**. def=0
- 9 **Reserved** always reads 0
- 8 **PCKRUN# Resume Status (PRRSM_STS)**.... def=0
This bit is set when PCI bus peripherals wake up the system by asserting PCKRUN#
- 7 **Primary IRQ Resume Status (PIRSM_STS)** . def=0
This bit is set at the occurrence of primary IRQs as defined in Rx45-44 of PCI configuration space
- 6 **Software SMI Status (SW_SMI_STS)**..... def=0
This bit is set when the SMI_CMD port (offset 2F) is written.
- 5 **BIOS Status (BIOS_STS)** def=0
This bit is set when the GBL_RLS bit is set to one (typically by the ACPI software to release control of the SCI/SMI lock). When this bit is reset (by writing a one to this bit position) the GBL_RLS bit is reset at the same time by hardware.
- 4 **Legacy USB Status (LEG_USB_STS)** def=0
This bit is set when a legacy USB event occurs.
- 3 **GP1 Timer Time Out Status (GP1TO_STS)**.. def=0
This bit is set when the GP1 timer times out.
- 2 **GP0 Timer Time Out Status (GP0TO_STS)**.. def=0
This bit is set when the GP0 timer times out.
- 1 **Secondary Event Timer Time Out Status (STTO_STS)**..... def=0
This bit is set when the secondary event timer times out.
- 0 **Primary Activity Status (PACT_STS)**..... def=0
This bit is set at the occurrence of any enabled primary system activity (see the Primary Activity Detect Status register at offset 30h and the Primary Activity Detect Enable register at offset 34h). After checking this bit, software can check the status bits in the Primary Activity Detect Status register at offset 30h to identify the specific source of the primary event. Note that setting this bit can be enabled to reload the GP0 timer (see bit-0 of the GP Timer Reload Enable register at offset 38).

I/O Offset 2B-2A - Global Enable RW

- 15 **GPIO Range 1 SMI Enable (GR1_EN)** def=0
- 14 **GPIO Range 0 SMI Enable (GR0_EN)** def=0
- 13 **GP3 Timer Timeout SMI Enable (G3TO_EN)**def=0
- 12 **GP2 Timer Timeout SMI Enable (G2TO_EN)**def=0
- 11 **SERIRQ SMI Enable (SSMI_EN)** def=0
- 10 **SERIRQ SMI Enable (SE_EN)** def=0
- 9 **Reserved** always reads 0
- 8 **PCKRUN# Resume Enable (PRRSM_EN)** def=0
This bit may be set to trigger an SMI to be generated when the PRRSM_STS bit is set.
- 7 **Primary IRQ Resume Enable (PIRSM_EN)**.. def=0
This bit may be set to trigger an SMI to be generated when the PIRSM_STS bit is set.
- 6 **SMI on Software SMI (SW_SMI_EN)** def=0
This bit may be set to trigger an SMI to be generated when the SW_SMI_STS bit is set.
- 5 **SMI on BIOS Status (BIOS_EN)** def=0
This bit may be set to trigger an SMI to be generated when the BIOS_STS bit is set.
- 4 **SMI on Legacy USB (LEG_USB_EN)**..... def=0
This bit may be set to trigger an SMI to be generated when the LEG_USB_STS bit is set.
- 3 **SMI on GP1 Timer Time Out (GP1TO_EN)** . def=0
This bit may be set to trigger an SMI to be generated when the GP1TO_STS bit is set.
- 2 **SMI on GP0 Timer Time Out (GP0TO_EN)** . def=0
This bit may be set to trigger an SMI to be generated when the GP0TO_STS bit is set.
- 1 **SMI on Secondary Event Timer Time Out (STTO_EN)** def=0
This bit may be set to trigger an SMI to be generated when the STTO_STS bit is set.
- 0 **SMI on Primary Activity (PACT_EN)** def=0
This bit may be set to trigger an SMI to be generated when the PACT_STS bit is set.

Note that SMI can be generated based on the setting of any of the above bits (see the offset 2Ah Global Enable register bit descriptions in the right hand column of this page).

The bits in this register are set by hardware only and can only be cleared by writing a one to the desired bit position.

I/O Offset 2D-2C - Global Control (GBL_CTL)RW

- 15-12 **Reserved** always reads 0
- 11 **IDE Secondary Bus Power-Off**
 - 0 Disabledefault
 - 1 Enable
- 10 **IDE Primary Bus Power-Off**
 - 0 Disabledefault
 - 1 Enable
- 9 **Reserved** always reads 0
- 8 **SMI Active (INSMI)**
 - 0 SMI Inactive.....default
 - 1 SMI Active. If the SMIIG bit is set, this bit needs to be written with a 1 to clear it before the next SMI can be generated.
- 7 **LID Triggering Polarity**
 - 0 Rising Edgedefault
 - 1 Falling Edge
- 6 **THRM# Triggering Polarity**
 - 0 Rising Edgedefault
 - 1 Falling Edge
- 5 **Battery Low Resume Disable**
 - 0 Enable resumedefault
 - 1 Disable resume from suspend when BATLOW# is asserted
- 4 **SMI Lock (SMIIG)**
 - 0 Disable SMI Lock
 - 1 Enable SMI Lock (SMI low to gate for the next SMI)default
- 3 **Wait for Halt / Stop Grant Cycle for CPUTP# Assertion**
 - 0 Don't wait.....default
 - 1 Wait

This bit works with Rx4C[7] of PCI configuration space to control the start of CPUTP# assertion.
- 2 **Power Button Triggering Select**
 - 0 SCI/SMI generated by PWRBTN# rising edgedefault
 - 1 SCI/SMI generated by PWRBTN# low level

Set to zero to avoid the situation where PB_STS is set to wake up the system then reset again by PBOR_STS to switch the system into the soft-off state.
- 1 **BIOS Release (BIOS_RLS)**

This bit is set by legacy software to indicate release of the SCI/SMI lock. Upon setting of this bit, hardware automatically sets the GBL_STS bit. This bit is cleared by hardware when the GBL_STS bit cleared by software.

Note that if the GBL_EN bit is set (bit-5 of the Power Management Enable register at offset 2), then setting this bit causes an SCI to be generated (because setting this bit causes the GBL_STS bit to be set).
- 0 **SMI Enable (SMI_EN)**
 - 0 Disable all SMI generation.....default
 - 1 Enable SMI generation

I/O Offset 2F - SMI Command (SMI_CMD) RW

- 7-0 **SMI Command**

Writing to this port sets the SW_SMI_STS bit. Note that if the SW_SMI_EN bit is set (see bit-6 of the Global Enable register at offset 2Ah), then an SMI is generated.

I/O Offset 33-30 - Primary Activity Detect Status.....RWC

These bits correspond to the Primary Activity Detect Enable bits in offset 37-34. All bits default to 0, are set by hardware only, and may only be cleared by writing 1s to the desired bit.

- 31-11 Reserved**always read 0
- 10 Audio Access Status** (AUD_STS)
Set if Audio is accessed.
- 9 Keyboard Controller Access Status..... (KBC_STS)**
Set if the KBC is accessed via I/O port 60h.
- 8 VGA Access Status.....(VGA_STS)**
Set if the VGA port is accessed via I/O ports 3B0-3DFh or memory space A0000-BFFFFh.
- 7 Parallel Port Access Status..... (LPT_STS)**
Set if the parallel port is accessed via I/O ports 278-27Fh or 378-37Fh (LPT2 or LPT1).
- 6 Serial Port B Access Status (COMB_STS)**
Set if the serial port is accessed via I/O ports 2F8-2FFh or 2E8-2Efh (COM2 and COM4 respectively).
- 5 Serial Port A Access Status (COMA_STS)**
Set if the serial port is accessed via I/O ports 3F8-3FFh or 3E8-3Efh (COM1 and COM3, respectively).
- 4 Floppy Access Status.....(FDC_STS)**
Set if the floppy controller is accessed via I/O ports 3F0-3F5h or 3F7h.
- 3 Secondary IDE Access Status.....(SIDE_STS)**
Set if the IDE controller is accessed via I/O ports 170-177h or 376h.
- 2 Primary IDE Access Status (PIDE_STS)**
Set if the IDE controller is accessed via I/O ports 1F0-1F7h or 3F6h.
- 1 Primary Interrupt Activity Status.....(PIRQ_STS)**
Set on the occurrence of a primary interrupt (enabled via the "Primary Interrupt Channel" register at Function 4 PCI configuration register offset 44h).
- 0 PCI Master Access Status (DRQ_STS)**
Set on the occurrence of PCI master activity.

Note: The bits above correspond to the bits of the Primary Activity Detect Enable register at offset 34 (see right hand column of this page): if the corresponding bit is set in that register, setting of the above bits will cause the PACT_STS bit to be set (bit-0 of the Global Status register at offset 28). Setting of PACT_STS may be set up to enable a "Primary Activity Event": an SMI will be generated if PACT_EN is set (bit-0 of the Global Enable register at offset 2Ah) and/or the GP0 timer will be reloaded if the "GP0 Timer Reload on Primary Activity" bit is set (bit-0 of the GP Timer Reload Enable register at offset 38 on this page).

Note: Bits 2-9 above also correspond to bits of the GP Timer Reload Enable register (see offset 38 on next page): If bits are set in that register, setting a corresponding bit in this register will cause the GP1 timer to be reloaded.

I/O Offset 37-34 - Primary Activity Detect Enable..... RW

These bits correspond to the Primary Activity Detect Status bits in offset 33-30. Setting of any of these bits also sets the PACT_STS bit (bit-0 of offset 28) which causes the GP0 timer to be reloaded (if PACT_GP0_EN is set) or generates an SMI (if PACT_EN is set).

- 31-11 Reserved** always read 0
- 10 SMI on Audio Status** (KBC_EN)
0 Don't set PACT_STS if AUD_STS is set def
1 Set PACT_STS if AUD_STS is set
- 9 SMI on Keyboard Controller Status..... (KBC_EN)**
0 Don't set PACT_STS if KBC_STS is set..... def
1 Set PACT_STS if KBC_STS is set
- 8 SMI on VGA Status..... (VGA_EN)**
0 Don't set PACT_STS if VGA_STS is set def
1 Set PACT_STS if VGA_STS is set
- 7 SMI on Parallel Port Status..... (LPT_EN)**
0 Don't set PACT_STS if LPT_STS is set..... def
1 Set PACT_STS if LPT_STS is set
- 6 SMI on Serial Port B Status(COMB_EN)**
0 Don't set PACT_STS if COMB_STS is set . def
1 Set PACT_STS if COMB_STS is set
- 5 SMI on Serial Port A Status (COMA_EN)**
0 Don't set PACT_STS if COMA_STS is set. def
1 Set PACT_STS if COMA_STS is set
- 4 SMI on Floppy Status(FDC_EN)**
0 Don't set PACT_STS if FDC_STS is set def
1 Set PACT_STS if FDC_STS is set
- 3 SMI on Secondary IDE Status.....(SIDE_EN)**
0 Don't set PACT_STS if SIDE_STS is set.... def
1 Set PACT_STS if SIDE_STS is set
- 2 SMI on PrimaryIDE Status(PIDE_EN)**
0 Don't set PACT_STS if PIDE_STS is set.... def
1 Set PACT_STS if PIDE_STS is set
- 1 SMI on Primary INTR Status (PIRQ_EN)**
0 Don't set PACT_STS if PIRQ_STS is set.... def
1 Set PACT_STS if PIRQ_STS is set
- 0 SMI on PCI Master Status (DRQ_EN)**
0 Don't set PACT_STS if DRQ_STS is set def
1 Set PACT_STS if DRQ_STS is set

I/O Offset 3B-38 - GP Timer Reload EnableRW

All bits in this register default to 0 on power up.

- 31-8 Reserved**always read 0
- 7 GP1 Timer Reload on KBC Access**
 - 0 Normal GP1 Timer Operationdefault
 - 1 Setting of KBC_STS causes the GP1 timer to reload.
- 6 GP1 Timer Reload on Serial Port Access**
 - 0 Normal GP1 Timer Operationdefault
 - 1 Setting of COMA_STS or COMB_STS causes the GP1 timer to reload.
- 5 Reserved**always read 0
- 4 GP1 Timer Reload on VGA Access**
 - 0 Normal GP1 Timer Operationdefault
 - 1 Setting of VGA_STS causes the GP1 timer to reload.
- 3 GP1 Timer Reload on IDE/Floppy Access**
 - 0 Normal GP1 Timer Operationdefault
 - 1 Setting of FDC_STS, SIDE_STS, or PIDE_STS causes the GP1 timer to reload.
- 2 GP3 Timer Reload on GPIO Range 1 Access**
 - 0 Normal GP3 Timer Operationdefault
 - 1 Setting of GR1_STS causes the GP3 timer to reload.
- 1 GP2 Timer Reload on GPIO Range 0 Access**
 - 0 Normal GP2 Timer Operationdefault
 - 1 Setting of GR0_STS causes the GP2 timer to reload.
- 0 GP0 Timer Reload on Primary Activity**
 - 0 Normal GP0 Timer Operationdefault
 - 1 Setting of PACT_STS causes the GP0 timer to reload. Primary activities are enabled via the Primary Activity Detect Enable register (offset 37-34) with status recorded in the Primary Activity Detect Status register (offset 33-30).

I/O Offset 40 – Extended I/O Trap Status RWC

- 7-5 Reserved** always read 0
- 4 BIOS Write Enable Status..... (BWR_STS)**
(Function 0 Rx40[7])
- 3-2 Reserved** always read 0
- 1 GPIO Range 3 Access Status..... (GPR3_STS)**
- 0 GPIO Range 2 Access Status..... (GPR2_STS)**

I/O Offset 42 – Extended I/O Trap Enable..... RW

- 7-5 Reserved** always read 0
- 4 SMI on BIOS Write..... (BWR_EN)**
 - 0 Disable..... default
 - 1 Enable
- 3-2 Reserved** always read 0
- 1 SMI on GPIO Range 3 Access.....(GPR3_EN)**
 - 0 Disable..... default
 - 1 Enable
- 0 SMI on GPIO Range 2 Access.....(GPR2_EN)**
 - 0 Disable..... default
 - 1 Enable

General Purpose I/O Registers

I/O Offset 44 – External SMI / GPI Input Value.....RO

Depending on the configuration, up to 8 external SCI/SMI ports are available as indicated below. The state of these inputs may be read in this register.

- 7 RING# Input Value..... (GPI7 pin)
- 6 SMBALRT# Input Value (GPI6 pin)
- 5 PME# Input Value (GPI5 pin)
- 4 SLPBTN# Input Value..... (GPI4 pin)
- 3 General Purpose Input 17 Value (GPI17 pin)
- 2 General Purpose Input 16 Value (GPI16 pin)
- 1 General Purpose Input 1 Value (GPI1 pin)
- 0 EXTSMI# Input Value

I/O Offset 45 – SMI / IRQ / Resume StatusRO

- 7-5 Reserved always reads 0
- 4 Latest PCSn Status
 - 0 Latest PCSn was an I/O Read
 - 1 Latest PCSn was an I/O Write
- 3 FM SMI or Serial SMI Status
- 2 Hardware Monitor IRQ Status
- 1 SMBus IRQ Status
- 0 SMBus Resume Status

I/O Offset 4B-48 - GPI Port Input Value (GPIVAL)..... RO

- 31-24 Reserved always read 0
- 23-16 GPI[23-16] by Refresh Scan Read Only
- 15-12 Reserved always read 0
- 11-0 GPI[11-0] Input Value Read Only

I/O Offset 4F-4C - GPO Port Output Value (GPOVAL)RW

Reads from this register return the last value written (held on chip)

- 31-26 Reserved always reads 0
- 25-0 GPO[25-0] Output Valuedef = 3FFFFFFh

System Management Bus I/O-Space Registers

The base address for these registers is defined in Rx93-90 of the Function 4 PCI configuration registers. The System Management Bus I/O space is enabled for access by the system if RxD2[0] = 1.

I/O Offset 00 – SMBus Host Status.....RWC

- 7-5 **Reserved** always reads 0
- 4 **Failed Bus Transaction.....RWC**
 - 0 SMBus interrupt not caused by failed bus transactiondefault
 - 1 SMBus interrupt caused by failed bus transaction. This bit may be set when the KILL bit (I/O Rx02[1]) is set and can be cleared by writing a 1 to this bit position.
- 3 **Bus Collision.....RWC**
 - 0 SMBus interrupt not caused by transaction collision.....default
 - 1 SMBus interrupt caused by transaction collision. This bit is only set by hardware and can be cleared by writing a 1 to this bit position.
- 2 **Device Error.....RWC**
 - 0 SMBus interrupt not caused by generation of an SMBus transaction error.....default
 - 1 SMBus interrupt caused by generation of an SMBus transaction error (illegal command field, unclaimed host-initiated cycle, or host device timeout). This bit is only set by hardware and can be cleared by writing a 1 to this bit position.
- 1 **SMBus Interrupt.....RWC**
 - 0 SMBus interrupt not caused by host command completion.....default
 - 1 SMBus interrupt caused by host command completion. This bit is only set by hardware and can be cleared by writing a 1 to this bit position.
- 0 **Host BusyRO**
 - 0 SMBus controller host interface is not processing a commanddefault
 - 1 SMBus host controller is busy processing a command. None of the other SMBus registers should be accessed if this bit is set.

I/O Offset 01h – SMBus Slave Status..... RWC

- 7-6 **Reserved** always reads 0
- 5 **Alert Status RWC**
 - 0 SMBus interrupt not caused by SMBALERT# signal default
 - 1 SMBus interrupt caused by SMBALERT# signal. This bit will be set only if the Alert Enable bit is set in the SMBus Slave Control Register at I/O Offset R08[3]. This bit is only set by hardware and can be cleared by writing a 1 to this bit position.
- 4 **Shadow 2 Status..... RWC**
 - 0 SMBus interrupt not caused by address match to SMBus Shadow Address Port 2..... default
 - 1 SMBus interrupt or resume event caused by slave cycle address match to SMBus Shadow Address Port 2. This bit is only set by hardware and can be cleared by writing a 1 to this bit position.
- 3 **Shadow 1 Status..... RWC**
 - 0 SMBus interrupt not caused by address match to SMBus Shadow Address Port 1..... default
 - 1 SMBus interrupt or resume event caused by slave cycle address match to SMBus Shadow Address Port 1. This bit is only set by hardware and can be cleared by writing a 1 to this bit position.
- 2 **Slave Status RWC**
 - 0 SMBus interrupt not caused by slave event match default
 - 1 SMBus interrupt or resume event caused by slave cycle event match of the SMBus Slave Command Register at PCI Function 4 Configuration Offset D3h (command match) and the SMBus Slave Event Register at SMBus Base + Offset 0Ah (data event match). This bit is only set by hardware and can be cleared by writing a 1 to this bit position.
- 1 **Reserved** always reads 0
- 0 **Slave Busy RO**
 - 0 SMBus controller slave interface is not processing data default
 - 1 SMBus controller slave interface is busy receiving data. None of the other SMBus registers should be accessed if this bit is set.

I/O Offset 02h – SMBus Host Control.....RW

- 7 **Reserved** always reads 0
- 6 **Start** always reads 0
 - 0 Writing 0 has no effectdefault
 - 1 **Start Execution of Command**
Writing a 1 to this bit causes the SMBus controller host interface to initiate execution of the command programmed in the SMBus Command Protocol field (bits 4-2). All necessary registers should be programmed prior to writing a 1 to this bit. The Host Busy bit (SMBus Host Status Register bit-0) can be used to identify when the SMBus controller has completed command execution.

5-2 SMBus Command Protocol

- 0000 Quick Read or Writedefault
- 0001 Byte Read or Write
- 0010 Byte Data Read or Write
- 0011 Word Data Read or Write
- 0100 Process Call
- 0101 Block Read or Write
- 0110 I2C with 10-bit Address
- 0111 Reserved
- 1000 -reserved-
- 1001 -reserved-
- 1010 -reserved-
- 1011 -reserved-
- 1100 I2C Process Call
- 1101 I2C Block
- 1110 I2C with 7-bit Address
- 1111 Universal

1 Kill Transaction in Progress

- 0 Normal host controller operationdefault
- 1 **Stop host transaction currently in progress.**
Setting this bit also sets the FAILED status bit (Host Status bit-4) and asserts the interrupt selected by the SMB Interrupt Select bit (Function 4 SMBus Host Configuration Register RxD2[3]).

0 Interrupt Enable

- 0 Disable interrupt generationdefault
- 1 Enable generation of interrupts on completion of the current host transaction.

I/O Offset 03h – SMBus Host Command..... RW

- 7-0 **SMBUS Host Command** default = 0
This field contains the data transmitted in the command field of the SMBus host transaction.

I/O Offset 04h – SMBus Host Address..... RW

The contents of this register are transmitted in the address field of the SMBus host transaction.

- 7-1 **SMBUS Address** default = 0
This field contains the 7-bit address of the targeted slave device.
- 0 **SMBUS Read or Write**
 - 0 Execute a WRITE command default
 - 1 Execute a READ command

I/O Offset 05h – SMBus Host Data 0..... RW

The contents of this register are transmitted in the Data 0 field of SMBus host transaction writes. On reads, Data 0 bytes are stored here.

- 7-0 **SMBUS Data 0** default = 0
For Block Write commands, this field is programmed with the block transfer count (a value between 1 and 32). Counts of 0 or greater than 32 are undefined. For Block Read commands, the count received from the SMBus device is stored here.

I/O Offset 06h – SMBus Host Data 1..... RW

The contents of this register are transmitted in the Data 1 field of SMBus host transaction writes. On reads, Data 1 bytes are stored here.

- 7-0 **SMBUS Data 1** default = 0

I/O Offset 07h – SMBus Block Data RW

Reads and writes to this register are used to access the 32-byte block data storage array. An internal index pointer is used to address the array. It is reset to 0 by reads of the SMBus Host Control register (I/O Offset 2) and incremented automatically by each access to this register. The transfer of block data into (read) or out of (write) this storage array during an SMBus transaction always starts at index address 0.

- 7-0 **SMBUS Block Data** default = 0

I/O Offset 08h – SMBus Slave Control.....RW

- 7-4 Reserved** always reads 0
- 3 SMBus Alert Enable**
 - 0 Disabledefault
 - 1 Enable generation of an interrupt or resume event on the assertion of the SMBALERT# signal
- 2 SMBus Shadow Port 2 Enable**
 - 0 Disabledefault
 - 1 Enable generation of an interrupt or resume event on external SMBus master generation of a transaction with an address that matches the SMBus Slave Shadow Port 2 register (PCI function 4 configuration register RxD5).
- 1 SMBus Shadow Port 1 Enable**
 - 0 Disabledefault
 - 1 Enable generation of an interrupt or resume event on external SMBus master generation of a transaction with an address that matches the SMBus Slave Shadow Port 1 register (PCI function 4 configuration register RxD4).
- 0 SMBus Slave Enable**
 - 0 Disabledefault
 - 1 Enable generation of an interrupt or resume event on external SMBus master generation of a transaction with an address that matches the SMBus host controller slave port of 10h, a command field which matches the SMBus Slave Command register (PCI function 4 configuration register RxD3), and a match of one of the corresponding enabled events in the SMBus Slave Event Register (I/O Offset 0Ah).

I/O Offset 09h – SMBus Shadow Command RO

This register is used to store command values for external SMBus master accesses to the host slave and slave shadow ports.

- 7-0 Shadow Command**..... default = 0
This field contains the command value which was received during an external SMBus master access whose address field matched the host slave address (10h) or one of the slave shadow port addresses.

I/O Offset 0Ah – SMBus Slave Event RW

This register is used to enable generation of interrupt or resume events for accesses to the host controller’s slave port.

- 15-0 SMBus Slave Event** default = 0
This field contains data bits used to compare against incoming data to the SMBus Slave Data Register (I/O Offset 0Ch). When a bit in this register is set and the corresponding bit the Slave Data register is also set, an interrupt or resume event will be generated if the command value matches the value in the SMBus Slave Command register and the access was to SMBus host address 10h.

I/O Offset 0Ch – SMBus Slave Data RO

This register is used to store data values for external SMBus master accesses to the shadow ports or the SMBus host controller’s slave port.

- 15-0 SMBus Slave Data** default = 0
This field contains the data value which was transmitted during an external SMBus master access whose address field matched one of the slave shadow port addresses or the SMBus host controller slave port address of 10h.

Hardware Monitor I/O Space Registers

The I/O base address for access to the Hardware Monitor registers is defined in Rx71-70 of function 4 PCI configuration space. The hardware monitor I/O space is enabled for I/O access by the system if Rx74[0] = 1.

Offset 13 – Analog Data 15-8RW

Offset 14 – Analog Data 7-0RW

Offset 15 – Digital Data 7-0RW

Offset 16 – Channel Counter.....RW

Offset 17 – Data Valid & Channel Indicators.....RW

Offset 1D – TSENS3 Hot Temperature High LimitRW

Offset 1E – TSENS3 Hot Temp Hysteresis Lo Limit.....RW

Offset 1F – TSENS3 Temperature ReadingRW

Temperature sensor 3 is an internal bandgap-type sensor which has 10-bit resolution. The high order 8 bits are stored here and the low order 2 bits are stored in Rx49[7-6]. Only the high order 8 bits are used for comparison with the limit values in offsets 1D and 1E.

Offset 20 – TSENS1 Temperature ReadingRW

Temperature sensor 1 is an external sensor input on pin W13 which has 10-bit resolution. The high order 8 bits are stored here and the low order 2 bits are stored in Rx4B[7-6]. Only the high order 8 bits are used for comparison with the limit values in offsets 39 and 3A.

Offset 21 – TSENS2 Temperature ReadingRW

Temperature sensor 2 is an external sensor input on pin Y13 which has 10-bit resolution. The high order 8 bits are stored here and the low order 2 bits are stored in Rx49[5-4]. Only the high order 8 bits are used for comparison with the limit values in offsets 3D and 3E.

Offset 22 – VSENS1 (Pin U13) Voltage Reading (2.0V)..RW

Offset 23 – VSENS2 (Pin V13) Voltage Reading (2.5V)..RW

Offset 24 – Internal Core Voltage Reading (3.3V)RW

Offset 25 – VSENS3 (Pin W14) Voltage Reading (5V) ..RW

Offset 26 – VSENS4 (Pin Y14) Voltage Reading (12V)..RW

Offset 27 – Reserved (-12V Sense Voltage Reading).....RW

Offset 28 – Reserved (-5V Sense Voltage Reading).....RW

Offset 29 – FAN1 (Pin T12) Count Reading..... RW

Offset 2A – FAN2 (Pin U12) Count Reading..... RW

The above two locations store the number of counts of the internal clock per fan revolution.

Offset 2B – VSENS1 Voltage High Limit (CPU 2.0V)... RW

Offset 2C – VSENS1 Voltage Low Limit (CPU 2.0V) ... RW

Offset 2D – VSENS2 Voltage High Limit (NB 2.5V) RW

Offset 2E – VSENS2 Voltage Low Limit (NB 2.5V) RW

Offset 2F – Internal Core Voltage High Limit (3.3V).... RW

Offset 30 – Internal Core Voltage Low Limit (3.3V)..... RW

Offset 31 – VSENS3 Voltage High Limit (5V)..... RW

Offset 32 – VSENS3 Voltage Low Limit (5V) RW

Offset 33 – VSENS4 Voltage High Limit (12V)..... RW

Offset 34 – VSENS4 Voltage Low Limit (12V) RW

Offset 35 – Reserved (-12V Sense High Limit)..... RW

Offset 36 – Reserved (-12V Sense Low Limit)..... RW

Offset 37 – Reserved (-5V Sense High Limit)..... RW

Offset 38 – Reserved (-5V Sense Low Limit)..... RW

Offset 39 – TSENS1 Hot Temperature High Limit..... RW

Offset 3A – TSENS1 Hot Temp Hysteresis Lo Limit..... RW

Offset 3B – FAN1 Fan Count Limit RW

Offset 3C – FAN2 Fan Count Limit RW

The above two locations store the number of counts of the internal clock per fan revolution for the low limit of the fan speed.

Offset 3D – TSENS2 Hot Temperature High Limit..... RW

Offset 3E – TSENS2 Hot Temp Hysteresis Lo Limit..... RW

Offset 3F – Stepping ID Number..... RW

Note: For high limits, comparisons are “greater than” comparisons. For low limits, comparisons are “less than or equal” comparisons.

One consequence of the above is that if high limits are set to all ones (FFh or 11111111b), interrupts are disabled for high limits (i.e., interrupts will only be generated for cases when voltages are equal to or below the low limits).

Offset 40 –Hardware Monitor ConfigurationRW

7 Initialization

- 0 Normal operationdefault
- 1 Restore power-up default values to this register, the interrupt status and mask registers, the FAN/RST#/OS# register, and the OS# Configuration / Temperature Resolution register. This bit automatically clears itself since the power-on default is 0.

6 Chassis Intrusion Reset

- 0 Normal operationdefault
- 1 Reset the Chassis Intrusion pin

5-4 Reserved (R/W)..... default = 0

3 Hardware Monitor Interrupt Clear

- 0 Normal operation
- 1 Clear the hardware monitor interrupt output (does not effect the contents of the interrupt status register). Normally set during interrupt servicedefault

2 Reserved always reads 0

1 Hardware Monitor Interrupt Enable

- 0 Disable hardware monitor interrupt output.. def
- 1 Enable hardware monitor interrupt output

0 Start

- 0 Place hardware monitor in standby mode.... def
- 1 Enable startup of hardware monitor logic.
At startup, limit checking functions and scanning begins. All high and low limits should be set prior to turning on this bit. Note: the hardware monitor interrupt output will not be cleared if the user writes a zero to this bit after an interrupt has occurred (the hardware monitor interrupt clear bit must be used for this purpose).

Offset 41 –Hardware Monitor Interrupt Status 1.....RO

- 7 **Fan 2 Error**
 - 0 No error.....default
 - 1 Fan 2 count limit exceeded
- 6 **Fan 1 Error**
 - 0 No error.....default
 - 1 Fan 1 count limit exceeded
- 5 **Reserved** always reads 0
- 4 **TSENS1 Temperature Error**
 - 0 No error.....default
 - 1 High or low hot temperature limit exceeded. The interrupt mode is determined by Temperature Resolution register Rx4B[1-0].
- 3 **VSENS3 Voltage Error (5V)**
 - 0 No error.....default
 - 1 High or low limit exceeded
- 2 **Internal Core VCC Voltage Error (3.3V)**
 - 0 No error.....default
 - 1 High or low limit exceeded
- 1 **VSENS2 Voltage Error (2.5V NB Core Voltage)**
 - 0 No error.....default
 - 1 High or low limit exceeded
- 0 **VSENS1 Voltage Error (2.0V CPU Core Voltage)**
 - 0 No error.....default
 - 1 High or low limit exceeded

Offset 42 –Hardware Monitor Interrupt Status 2.....RO

- 7 **TSENS3 (Internal Bandgap) Temp Error**
 - 0 No error.....default
 - 1 High or low hot temperature limit exceeded. Interrupt mode is determined by Rx4B[5-4].
- 6-5 **Reserved** always reads 0
- 4 **Chassis Error**
 - 0 No error.....default
 - 1 Chassis Intrusion has gone high
- 3 **TSENS2 Temperature Error**
 - 0 No error.....default
 - 1 High or low hot temperature limit exceeded. Interrupt mode is determined by Rx4B[3-2].
- 2-1 **Reserved** always reads 0
- 0 **VSENS4 Voltage Error (12V)**
 - 0 No error.....default
 - 1 High or low limit exceeded

Note: When either status register is read, status conditions in that register are reset. In the case of voltage priority indications, if two or more voltages were out of limits, then another indication would automatically be generated if it was not handled during interrupt service. Errant voltages may be disabled in the control register until the operator has time to clear the errant condition or set the limit higher or lower.

Offset 43 –Hardware Monitor Interrupt Mask 1 RW

- 7 **Fan 2 Count Error Mask**
 - 0 Enable interrupt on error status bit set def
 - 1 Disable interrupt on error status bit set
- 6 **Fan 1 Count Error Mask**
 - 0 Enable interrupt on error status bit set def
 - 1 Disable interrupt on error status bit set
- 5 **TSENS1 Thermal Alarm Control Mask**
 - 0 Enable TSENS1 over-temp condition to control the thermal alarm (function 4 Rx40[7] automatic CPU clock throttling must be set) def
 - 1 Disable
- 4 **TSENS1 Temperature Error Mask**
 - 0 Enable interrupt on error status bit set def
 - 1 Disable interrupt on error status bit set
- 3 **VSENS3 Voltage Error Mask (5V)**
 - 0 Enable interrupt on error status bit set def
 - 1 Disable interrupt on error status bit set
- 2 **Internal Core VCC Voltage Error Mask (3.3V)**
 - 0 Enable interrupt on error status bit set def
 - 1 Disable interrupt on error status bit set
- 1 **VSENS2 Voltage Error Mask (2.5V NB Core)**
 - 0 Enable interrupt on error status bit set def
 - 1 Disable interrupt on error status bit set
- 0 **VSENS1 Voltage Error Mask (2.0V CPU Core)**
 - 0 Enable interrupt on error status bit set def
 - 1 Disable interrupt on error status bit set

Offset 44 –Hardware Monitor Interrupt Mask 2 RW

- 7 **TSENS3 Temperature Error Mask**
 - 0 Enable interrupt on error status bit set def
 - 1 Disable interrupt on error status bit set
- 6 **TSENS3 Thermal Alarm Control Mask**
 - 0 Enable TSENS3 over-temp condition to control the thermal alarm (function 4 Rx40[7] automatic CPU clock throttling must be set) def
 - 1 Disable
- 5 **TSENS2 Thermal Alarm Control Mask**
 - 0 Enable TSENS2 over-temp condition to control the thermal alarm (function 4 Rx40[7] automatic CPU clock throttling must be set) def
 - 1 Disable
- 4 **Chassis Error Mask**
 - 0 Enable interrupt on error status bit set def
 - 1 Disable interrupt on error status bit set
- 3 **TSENS2 Temperature Error Mask**
 - 0 Enable interrupt on error status bit set def
 - 1 Disable interrupt on error status bit set
- 2-1 **Reserved** always reads 0
- 0 **VSENS4 Voltage Error Mask (12V)**
 - 0 Enable interrupt on error status bit set def
 - 1 Disable interrupt on error status bit set

Offset 47 –Hardware Monitor Fan Configuration.....RW

- 7-6 Fan 2 RPM Control**
 - 00 Divide by 1
 - 01 Divide by 2default
 - 10 Divide by 4
 - 11 Divide by 8
- 5-4 Fan 1 RPM Control**
 - 00 Divide by 1
 - 01 Divide by 2default
 - 10 Divide by 4
 - 11 Divide by 8
- 3-0 Reserved** always reads 0

Offset 49 –Hardware Monitor Temp Low Order ValueRW

- 7-6 TSENS3 Value Low-Order Bits**
Upper 8 bits are stored in offset 1Fh
- 5-4 TSENS2 Value Low-Order Bits**
Upper 8 bits are stored in offset 21h
- 3 Over Temperature Active Low for PMU to Control Stop Clock**
 - 0 Disabledefault
 - 1 Enable
- 2 Chassis Active Low Output 20 msec**
 - 0 Disabledefault
 - 1 Enable
- 1 Interrupt Active High Output**
 - 0 Disabledefault
 - 1 Enable
- 0 Reserved** always reads 0

Offset 4B –Temperature Interrupt Configuration RW

- 7-6 TSENS1 Value Low-Order Bits**def = 00
Upper 8 bits are stored in offset 20h
 - 5-4 TSENS3 Hot Temp Interrupt Mode**def = 01
 - 3-2 TSENS2 Hot Temp Interrupt Mode**def = 01
 - 1-0 TSENS1 Hot Temp Interrupt Mode**def = 01
- The following applies to each of the above 3 fields
- 00 **Default Interrupt Mode.** An interrupt occurs if the temperature goes above the hot limit. The interrupt will be cleared once the status register is read, but will be generated again when the next conversion is completed. Interrupts will continue to be generated until the temperature goes below the hysteresis limit.
 - 01 **One-Time Interrupt Mode.** An interrupt is generated if the temperature goes above the hot limit. The interrupt will be cleared when the status register is read. Another interrupt will not be generated until the temperature first drops below the hysteresis limit. default
 - 10 **Comparator mode.** An interrupt occurs if the temperature goes above the hot limit. This interrupt remains active until the temperature goes below the hot limit (i.e., no hysteresis).
 - 11 **Default Interrupt Mode** (same as 00)

Function 5 & 6 Registers - AC97 Audio & Modem Codecs

The codec interface is hardware compatible with AC97 and SoundBlaster Pro. There are two sets of software accessible registers: PCI configuration registers and I/O registers. The PCI configuration registers for the **Audio Codec** are located in the **function 5** PCI configuration space of the VT82C686B. The PCI configuration registers for the **Modem Codec** are located in the **function 6** PCI configuration space. The I/O registers are located in the system I/O space.

PCI Configuration Space Header – Function 5 Audio

Offset 1-0 - Vendor IDRO

0-7 Vendor ID (1106h = VIA Technologies)

Offset 3-2 - Device ID.....RO

0-7 Device ID (3058h = 82C686B Audio Codec)

Offset 5-4 - Command.....RW

- 15-10 Reserved always reads 0
- 9 Fast Back-to-Back.....fixed at 0
- 8 SERR# Enable.....fixed at 0
- 7 Address Steppingfixed at 0
- 6 Parity Error Response.....fixed at 0
- 5 VGA Palette Snoopfixed at 0
- 4 Memory Write and Invalidatefixed at 0
- 3 Special Cycle Monitoringfixed at 0
- 2 Bus Masterfixed at 0
- 1 Memory Space.....fixed at 0
- 0 I/O Space default=0 (disabled)

Offset 7-6 - Status.....RWC

- 15 Detected Parity Error always reads 0
- 14 Signalled System Error..... default=0
- 13 Received Master Abort.....fixed at 0
- 12 Received Target Abortfixed at 0
- 11 Signalled Target Abort.....fixed at 0
- 10-9 DEVSEL# Timing
 - 00 Fast
 - 01 Medium fixed
 - 10 Slow
 - 11 Reserved
- 8 Data Parity Error.....fixed at 0
- 7 Fast Back-to-Back Capable.....fixed at 0
- 6-5 Reserved always reads 0
- 4 PM 1.1fixed at 1
- 3-0 Reserved always reads 0

Offset 8 - Revision ID (nnh)RO

- 7-0 Silicon Revision Code
 - 10h Revision A
 - 11h Revision B
 - 12h Revision C
 - 13h Revision D
 - 14h Revision E
 - 20h Revision H

Offset 9 - Programming Interface (00h)..... RO

Offset A - Sub Class Code (01h=Audio Device)..... RO

Offset B - Base Class Code (04h=Multimedia Device) RO

Offset D - Latency Timer (00h)..... RO

Offset E - Header Type (00h)..... RO

Offset F - BIST (00h) RO

Offset 13-10 - Base Address 0 – SGD Control / Status.. RW

- 31-16 Reservedalways reads 0
- 15-8 Base Address..... default = 00h
- 7-0 0000001b (256 bytes)

Offset 17-14 - Base Address 1 – FM NMI Status RW

- 31-16 Reserved always reads 0
- 15-2 Base Address..... default = 0000h
- 1-0 01b (4 bytes)

Offset 1B-18 - Base Address 2 – MIDI Port RW

- 31-16 Reserved always reads 0
- 15-2 Base Address..... default = 0330h
- 1-0 01b (4 bytes)

Offset 1F-1C - Base Address 3 – Codec Register ShadowRW

- 31-16 Reserved always reads 0
- 15-2 Base Address..... default = 0000h
- 1-0 01b (4 bytes)

Offset 2F-2C – Subsystem ID / Sub Vendor ID..... RO*

*This register is RW if function 5-6 Rx42[5] = 1

Offset 34 – Capture Pointer (C0h) RO

Offset 3C - Interrupt Line..... RW

- 7-4 Reserved always reads 0
- 3-0 Audio Interrupt Routing
 - 0000 Disable..... default
 - 0001 IRQ1
 - 0010 Reserved
 - 0011 IRQ3
 - 0100 IRQ4
 - 0101 IRQ5
 - 0110 IRQ6
 - 0111 IRQ7
 - 1000 IRQ8
 - 1001 IRQ9
 - 1010 IRQ10
 - 1011 IRQ11
 - 1100 IRQ12
 - 1101 IRQ13
 - 1110 IRQ14
 - 1111 Disable

Offset 3D - Interrupt Pin (03h)..... RO

Offset 3E - Minimum Grant (00h)..... RO

Offset 3F - Minimum Latency (00h)..... RO

PCI Configuration Space Header – Function 6 Modem

Offset 1-0 - Vendor IDRO

0-7 Vendor ID (1106h = VIA Technologies)

Offset 3-2 - Device ID.....RO

0-7 Device ID (3068h = 82C686B Modem Codec)

Offset 5-4 - Command.....RW

- 15-10 Reserved always reads 0
- 9 Fast Back-to-Back.....fixed at 0
- 8 SERR# Enable.....fixed at 0
- 7 Address Steppingfixed at 0
- 6 Parity Error Response.....fixed at 0
- 5 VGA Palette Snoopfixed at 0
- 4 Memory Write and Invalidatefixed at 0
- 3 Special Cycle Monitoringfixed at 0
- 2 Bus Masterfixed at 0
- 1 Memory Space.....fixed at 0
- 0 I/O Space default=0 (disabled)

Offset 7-6 - Status.....RWC

- 15 Detected Parity Error..... always reads 0
- 14 Signalled System Error.....fixed at 0
- 13 Received Master Abort.....fixed at 0
- 12 Received Target Abortfixed at 0
- 11 Signalled Target Abort.....fixed at 0
- 10-9 DEVSEL# Timing
 - 00 Fast
 - 01 Medium fixed
 - 10 Slow
 - 11 Reserved
- 8 Data Parity Error.....fixed at 0
- 7 Fast Back-to-Back Capable.....fixed at 0
- 6-0 Reserved always reads 0

Offset 8 - Revision ID (nnh)RO

7-0 Silicon Revision Code (0 indicates first silicon)

Offset 9 - Programming Interface (00h)*RO

Offset A - Sub Class Code (80h).....*RO

Offset B - Base Class Code (07h).....*RO

*Registers 9-B are RW if function 5-6 Rx44[5] = 1

Offset D - Latency Timer (00h)RO

Offset E - Header Type (00h)RO

Offset F - BIST (00h).....RO

Offset 13-10 - Base Address 0 – SGD Control / Status.. RW

- 31-16 Reservedalways reads 0
- 15-8 Base Address..... default = 00h
- 7-0 0000001b (256 bytes)

Offset 1F-1C - Base Address 3 – Codec Register ShadowRW

- 31-16 Reservedalways reads 0
- 15-2 Base Address..... default = 0000h
- 1-0 01b (4 bytes)

Offset 3C - Interrupt Line..... RW

- 7-4 Reservedalways reads 0
- 3-0 Audio Interrupt Routing
 - 0000 Disable..... default
 - 0001 IRQ1
 - 0010 Reserved
 - 0011 IRQ3
 - 0100 IRQ4
 - 0101 IRQ5
 - 0110 IRQ6
 - 0111 IRQ7
 - 1000 IRQ8
 - 1001 IRQ9
 - 1010 IRQ10
 - 1011 IRQ11
 - 1100 IRQ12
 - 1101 IRQ13
 - 1110 IRQ14
 - 1111 Disable

Offset 3D - Interrupt Pin (03h)..... RO

Offset 3E - Minimum Grant (00h)..... RO

Offset 3F - Minimum Latency (00h)..... RO

Function 5 & 6 Codec-Specific Configuration Registers

Offset 40 – AC97 Interface StatusRO

- 7-3 **Reserved** always reads 0
- 2 **Secondary Codec Ready Status**RO
 - 0 Codec Not Ready
 - 1 Codec Ready (AC97 ctrlr can access codec)
- 1 **AC97 Codec Low-Power Status**.....RO
 - 0 AC97 Codec not in low-power mode
 - 1 AC97 Codec in low-power mode
- 0 **AC97 Codec Ready Status**.....RO
 - 0 Codec Not Ready
 - 1 Codec Ready (AC97 ctrlr can access codec)

Offset 41 – AC Link Interface Control RW

- 7 **AC-Link Interface Enable (ENAC97)**
 - 0 Disable..... default
 - 1 Enable
- 6 **AC-Link Reset (ACRST#)**
 - 0 Assert AC-Link Reset default
 - 1 De-assert AC-Link Reset
- 5 **AC-Link Sync (RSYNCHI)**
 - 0 Release SYNC default
 - 1 Force SYNC High
- 4 **AC-Link Serial Data Out**
 - 0 Release SDO..... default
 - 1 Force SDO High
- 3 **Variable-Sample-Rate On-Demand Mode**
 - 0 Disable..... default
 - 1 Enable

Bit valid in function 5 only (reserved in function 6)
- 2 **AC Link SGD Read Channel PCM Data Output**
 - 0 Disable..... default
 - 1 Enable

Bit valid in function 5 only (reserved in function 6)
- 1 **AC Link FM Channel PCM Data Out (SELFM)**
 - 0 Disable..... default
 - 1 Enable

Bit valid in function 5 only (reserved in function 6)
- 0 **AC Link SB PCM Data Output (SELSB)**
 - 0 Disable..... default
 - 1 Enable

Bit valid in function 5 only (reserved in function 6)

Offset 42 – Function EnableRW (Function 5)

Offset 42 – Function EnableRO (Function 6)

- 7 MIDI PnP**
 - 0 MIDI Port Address Selected by Rx43[3-2]. def
 - 1 MIDI Port Address Selected by IOBase2
- 6 Mask MIDI IRQ**
 - 0 Disabledefault
 - 1 Enable
- 5 Function 5 Config Reg Rx2C Writable**
 - 0 F5Rx2C-2F ROdefault
 - 1 F5Rx2C-2F RW
- 4 Gate SoundBlaster PCM When FIFO Empty**
 - 0 Disabledefault
 - 1 Enable
- 3 Game Port Enable (ENGAME)**
 - 0 Disabledefault
 - 1 Enable (200-207h)
- 2 FM Enable (ENFM)**
 - 0 Disabledefault
 - 1 Enable (388-38B)
- 1 MIDI Enable (ENMIDI)**
 - 0 Disabledefault
 - 1 Enable
- 0 SoundBlaster Enable (ENSB)**
 - 0 Disabledefault
 - 1 Enable

Offset 43 – Plug and Play ControlRW (Function 5)

Offset 43 – Plug and Play ControlRO (Function 6)

- 7-6 SoundBlaster IRQ Select (SBIRQS[1:0])**
 - 00 IRQ5default
 - 01 IRQ7
 - 10 IRQ9
 - 11 IRQ10
- 5-4 SoundBlaster DRQ Select (SBDQRS[1:0])**
 - 00 DMA Channel 0
 - 01 DMA Channel 1default
 - 10 DMA Channel 2
 - 11 DMA Channel 3
- 3-2 MIDI Decode Select (MIDIBASE)**
 - 00 300-303h
 - 01 310-313h
 - 10 320-323h
 - 11 330-333hdefault
- 1-0 SoundBlaster Decode Select (SBBASE)**
 - 00 220-22Fhdefault
 - 01 240-24Fh
 - 10 260-26Fh
 - 11 280-28Fh

Offset 44 – MC97 Interface Control RO (Function 5)

Offset 44 – MC97 Interface Control RW (Function 6)

- 7 AC-Link Interface for Slot-5**
 - 0 Disable default
 - 1 Enable
- 6 Secondary Codec Support**
 - 0 Disable default
 - 1 Enable
- 5 Function 6 Config Reg Rx9-B Writable**
 - 0 F6Rx9-B RO default
 - 1 F6Rx9-B RW
- 4 Function 6 Config Reg 2Ch Writable**
 - 0 F6Rx2C-2F RO default
 - 1 F6Rx2C-2F RW
- 3-0 Reserved**always reads 0

Offset 48 – FM NMI Control..... RW (Function 5)

Offset 48 – FM NMI Control..... RO (Function 6)

- 7-3 Reserved**always reads 0
- 2 FM IRQ Select**
 - 0 Route FM Trap interrupt to NMI default
 - 1 Route FM Trap interrupt to SMI
- 1 FM SGD Data for SoundBlaster Mixing**
 - 0 Disable default
 - 1 Enable
- 0 FM Trap Interrupt**
 - 0 Enable
 - 1 Disable default

Offset 4B-4A – Game Port Base Address RW

- 15-0 Game Port Base Address** default = 0

I/O Base 0 Registers –Audio/Modem Scatter/Gather DMA

Read / Write through function 5, R/O through function 6.

I/O Offset 0 – Audio SGD Read Channel StatusRWC

- 7 SGD Active (0 = completed or terminated).....RO
- 6 SGD PausedRO
- 5-4 Reserved always reads 0
- 3 SGD Trigger Queued (will restart after EOL)..RO
- 2 SGD Stopped (write 1 to resume)RWC
- 1 SGD EOLRWC
- 0 SGD FlagRWC

I/O Offset 1 – Audio SGD Read Channel Control.....RW

- 7 SGD Start WO (always reads 0)
 - 0 No effect
 - 1 Start SGD read channel operation
- 6 SGD Terminate WO (always reads 0)
 - 0 No effect
 - 1 Terminate SGD read channel operation
- 5-4 Reservedalways reads 0, writing 1 not allowed
- 3 SGD Pause
 - 0 Release SGD read channel pause and resume the transfer from the paused line
 - 1 Pause SGD read channel operation (SGD read channel pointer stays at the current address)
- 2-0 Reserved always reads 0

I/O Offset 2 – Audio SGD Read Channel TypeRW

- 7 Auto-Start SGD at EOL (1=Enable) default = 0
- 6 Playback FIFO (1=Enable) default = 0
- 5 PCM 16-Bit Format
 - 0 8-Bit Formatdefault
 - 1 16-Bit Format
- 4 PCM Stereo Format
 - 0 Mono Format.....default
 - 1 Stereo Format
- 3-2 Interrupt Select
 - 00 Interrupt at PCI Read of Last Linedefault
 - 01 Interrupt at Last Sample Sent
 - 10 Interrupt at Less Than One Line to Send
 - 11 -reserved-
- 1 Interrupt on EOL @ End of Block (1=Ena)... def=0
- 0 Interrupt on FLAG @ End-of-Blk (1=Ena) ... def=0

I/O Offset 7-4 – Audio SGD R Ch Table Pointer Base...RW

- 31-0 SGD Table Pointer Base Address (even addr).... W
Current Pointer AddressR

I/O Offset F-C – Audio SGD R Ch Current Count.....RO

- 31-24 Reserved always reads 0
- 23-0 Current SGD Read Channel Count

SGD Table Format

63	62	61	60-56	55-32	31-0
EOL	FLAG	STOP	-reserved-	Base	Base
				Count	Address
				[23:0]	[31:0]

I/O Offset 10 – Audio SGD Write Channel Status..... RO

- 7 SGD Active (0 = completed or terminated) RO
- 6 SGD Paused RO
- 5-4 Reservedalways reads 0
- 3 SGD Trigger Queued (will restart after EOL)..RO
- 2 SGD Stopped (write 1 to resume)..... RWC
- 1 SGD EOL RWC
- 0 SGD Flag RWC

I/O Offset 11 – Audio SGD Write Channel Control..... RW

- 7 SGD Start WO (always reads 0)
 - 0 No effect
 - 1 Start SGD write channel operation
- 6 SGD Terminate WO (always reads 0)
 - 0 No effect
 - 1 Terminate SGD write channel operation
- 5-4 Reservedalways reads 0, writing 1 not allowed
- 3 SGD Pause
 - 0 Release SGD write channel pause and resume the transfer from the paused line
 - 1 Pause SGD write channel operation (SGD write channel pointer stays at current address)
- 2-0 Reserved always reads 0

I/O Offset 12 – Audio SGD Write Channel Type..... RW

- 7 Auto-Start SGD at EOL (1=Enable)..... default = 0
- 6 Recording FIFO (1=Enable)..... default = 0
- 5 PCM 16-Bit Format
 - 0 8-Bit Format default
 - 1 16-Bit Format
- 4 PCM Stereo Format
 - 0 Mono Format default
 - 1 Stereo Format
- 3-2 Reservedalways reads 0
- 1 Interrupt on EOL @ End of Block (1=Ena) ... def=0
- 0 Interrupt on FLAG @ End-of-Blk (1=Ena).... def=0

I/O Offset 17-14 – Audio SGD W Ch Table Pointer BaseRW

- 31-0 SGD Table Pointer Base Address (even addr).... W
Current Pointer Address R

I/O Offset 1F-1C – Audio SGD W Ch Current Count ... RO

- 31-24 Reservedalways reads 0
- 23-0 Current SGD Write Channel Count

EOL End Of Link. 1 indicates this block is the last of the link. If the channel “Interrupt on EOL” bit is set, then an interrupt is generated at the end of the transfer.

FLAG Block Flag. If set, transfer pauses at the end of this block. If the channel “Interrupt on FLAG” bit is set, then an interrupt is generated at the end of this block.

STOP Block Stop. If set, transfer pauses at the end of this block. To resume the transfer, write 1 to Rx?0[2].

Read / Write through function 5, R/O through function 6.

The following set of registers is dedicated for FM:

I/O Offset 20 – FM SGD Read Channel StatusRWC

- 7 SGD Active (0 = completed or terminated).....RO
- 6 SGD PausedRO
- 5-4 Reserved always reads 0
- 3 SGD Trigger Queued (will restart after EOL) ..RO
- 2 SGD Stopped (write 1 to resume)RWC
- 1 SGD EOLRWC
- 0 SGD FlagRWC

I/O Offset 21 – FM SGD Read Channel Control.....RW

- 7 SGD Start WO (always reads 0)
 - 0 No effect
 - 1 Start SGD read channel operation
- 6 SGD Terminate WO (always reads 0)
 - 0 No effect
 - 1 Terminate SGD read channel operation
- 5-4 Reservedalways reads 0, writing 1 not allowed
- 3 SGD PauseRW
 - 0 Release SGD read channel pause and resume the transfer from the paused line
 - 1 Pause SGD read channel operation (SGD read channel pointer stays at the current address)
- 2-0 Reserved always reads 0

I/O Offset 22 – FM SGD Read Channel TypeRW

- 7 Auto-Start SGD at EOL (1=Enable) default = 0
- 6-4 Reserved always reads 0
- 3-2 Interrupt Select
 - 00 Interrupt at PCI Read of Last Linedefault
 - 01 Interrupt at Last Sample Sent
 - 10 Interrupt at Less Than One Line to Send
 - 11 -reserved-
- 1 Interrupt on EOL @ End of Block
 - 0 Disabledefault
 - 1 Enable
- 0 Interrupt on FLAG @ End-of-Blk
 - 0 Disabledefault
 - 1 Enable

I/O Offset 27-24 – FM SGD Rd Ch Table Pointer Base RW

- 31-0 SGD Table Pointer Base Address (even addr).... W
- Current Pointer AddressR

I/O Offset 2F-2C – FM SGD Rd Chan Current Count...RO

- 31-24 Reserved always reads 0
- 23-0 Current SGD FM Read Channel Count

Read / Write through function 6, R/O through function 5.

I/O Offset 40 – Modem SGD Read Channel Status.....RWC

- 7 SGD Active (0 = completed or terminated).....RO
- 6 SGD PausedRO
- 5-4 Reserved always reads 0
- 3 SGD Trigger Queued (will restart after EOL)..RO
- 2 SGD Stopped (write 1 to resume)RWC
- 1 SGD EOLRWC
- 0 SGD FlagRWC

I/O Offset 41 – Modem SGD Read Channel Control.....RW

- 7 SGD Start WO (always reads 0)
 - 0 No effect
 - 1 Start SGD read channel operation
- 6 SGD Terminate WO (always reads 0)
 - 0 No effect
 - 1 Terminate SGD read channel operation
- 5-4 Test (Do Not Program) always write 0
- 3 SGD PauseRW
 - 0 Release SGD read channel pause and resume the transfer from the paused line
 - 1 Pause SGD read channel operation (SGD read channel pointer stays at the current address)
- 2-0 Reserved always reads 0

I/O Offset 42 – Modem SGD Read Channel Type.....RW

- 7 Auto-Start SGD at EOL (1=Enable) default = 0
- 6-4 Reserved always reads 0
- 3-2 Interrupt Select
 - 00 Interrupt at PCI Read of Last Linedefault
 - 01 Interrupt at Last Sample Sent
 - 10 Interrupt at Less Than One Line to Send
 - 11 -reserved-
- 1 Interrupt on EOL @ End of Block
 - 0 Disabledefault
 - 1 Enable
- 0 Interrupt on FLAG @ End-of-Blk
 - 0 Disabledefault
 - 1 Enable

I/O Offset 47-44 – Modem SGD R Ch Table Ptr Base...RW

- 31-0 SGD Table Pointer Base Address (even addr).... W
- Current Pointer AddressR

I/O Offset 4F-4C – Modem SGD R Ch Current Count ..RO

- 31-24 Reserved always reads 0
- 23-0 Current SGD Read Channel Count

I/O Offset 50 – Modem SGD Write Channel Status..... RO

- 7 SGD Active (0 = completed or terminated) RO
- 6 SGD Paused RO
- 5-4 Reserved always reads 0
- 3 SGD Trigger Queued (will restart after EOL).. RO
- 2 SGD Stopped (write 1 to resume)..... RWC
- 1 SGD EOL RWC
- 0 SGD Flag RWC

I/O Offset 51 – Modem SGD Write Channel Control ... RW

- 7 SGD Start WO (always reads 0)
 - 0 No effect
 - 1 Start SGD write channel operation
- 6 SGD Terminate..... WO (always reads 0)
 - 0 No effect
 - 1 Terminate SGD write channel operation
- 5-4 Test (Do Not Program)..... always write 0
- 3 SGD Pause RW
 - 0 Release SGD write channel pause and resume the transfer from the paused line
 - 1 Pause SGD write channel operation (SGD write channel pointer stays at current address)
- 2-0 Reserved always reads 0

I/O Offset 52 – Modem SGD Write Channel Type..... RW

- 7 Auto-Start SGD at EOL (1=Enable)..... default = 0
- 6-2 Reserved always reads 0
- 1 Interrupt on EOL @ End of Block (1=Ena) ...def=0
- 0 Interrupt on FLAG @ End-of-Blk (1=Ena)....def=0

I/O Offset 57-54 – Modem SGD W Ch Table Ptr Base . RW

- 31-0 SGD Table Pointer Base Address (even addr).... W
- Current Pointer Address R

I/O Offset 5F-5C – Modem SGD W Ch Current Count. RO

- 31-24 Reserved always reads 0
- 23-0 Current SGD Write Channel Count

EOL End Of Link. 1 indicates this block is the last of the link. If the channel “Interrupt on EOL” bit is set, then an interrupt is generated at the end of the transfer.

FLAG Block Flag. If set, transfer pauses at the end of this block. If the channel “Interrupt on FLAG” bit is set, then an interrupt is generated at the end of this block.

STOP Block Stop. If set, transfer pauses at the end of this block. To resume the transfer, write 1 to Rx?0[2].

SGD Table Format

<u>63</u>	<u>62</u>	<u>61</u>	<u>60-56</u>	<u>55-32</u>	<u>31-0</u>
EOL	FLAG	STOP	-reserved-	Base	Base
				Count	Address
				[23:0]	[31:0]

The audio / modem interface is compliant with AC97. Refer to the AC97 specification and AC97 Codec data sheets for further details.

Read / Write through both functions 5 and 6.

Offset 83-80 – AC97 Controller Command / Status.....RW

Read / Write through both functions 5 and 6.

- 31-30 Codec ID** RW
 - 00 Select Primary Codec
 - 01 Select Secondary Codec
 - 1x -reserved-
- 29-28 Reserved** always reads 0
- 27 Secondary Codec Data / Status / Index Valid** .RWC
 - 0 Not Valid
 - 1 Valid (OK to Read bits 0-23)
- 26 Reserved** always reads 0
- 25 Primary Codec Data / Status / Index Valid**.....RWC
 - 0 Not Valid
 - 1 Valid (OK to Read bits 0-23)
- 24 AC97 Controller Busy** RO
 - 0 Primary Codec is ready for a register access command
 - 1 AC97 Controller is sending a command to the primary codec (commands are not accepted)
- 23 Codec Command Register Write Mode** RW
 - 0 Select Codec command register write mode
 - 1 Select Codec command register read mode
- 22-16 Codec Command Register Index [7:1]** RW
Index of the AC97 codec command register to access (in the attached codec). Data must be written before or at the same time as Index as writing to the index triggers the AC97 controller to access the addressed codec register over the AC-link interface.
- 15-0 Codec Command Register Data / Status** RW
 - W Codec Command Register Data
 - R Codec Status Register Data

Offset 87-84 – SGD Status Shadow RO

Read / Only through both functions 5 and 6.

- 31-30 Reserved** always reads 0
- 29 Modem Write Chan SGD Active Shadow**(Rx50[7])
- 28 Modem Read Chan SGD Active Shadow** (Rx40[7])
- 27-26 Reserved** always reads 0
- 25 Modem Write Chan SGD STOP Shadow** (Rx50[2])
- 24 Modem Read Chan SGD STOP Shadow.** (Rx40[2])
- 23-22 Reserved** always reads 0
- 21 Modem Write Chan SGD EOL Shadow..** (Rx50[1])
- 20 Modem Read Chan SGD EOL Shadow...** (Rx40[1])
- 19-18 Reserved** always reads 0
- 17 Modem Write Chan SGD FLAG Shadow**(Rx50[0])
- 16 Modem Read Chan SGD FLAG Shadow** (Rx40[0])
- 15 Reserved** always reads 0
- 14 FM Channel SGD Active Shadow**..... (Rx20[7])
- 13 Audio Write Chan SGD Active Shadow..** (Rx10[7])
- 12 Audio Read Chan SGD Active Shadow...** (Rx00[7])
- 11 Reserved** always reads 0
- 10 FM Channel SGD STOP Shadow** (Rx20[2])
- 9 Audio Write Chan SGD STOP Shadow ..** (Rx10[2])
- 8 Audio Read Chan SGD STOP Shadow ...** (Rx00[2])
- 7 Reserved** always reads 0
- 6 FM Channel SGD EOL Shadow** (Rx20[1])
- 5 Audio Write Chan SGD EOL Shadow** (Rx10[1])
- 4 Audio Read Chan SGD EOL Shadow** (Rx00[1])
- 3 Reserved** always reads 0
- 2 FM Channel SGD FLAG Shadow**..... (Rx20[0])
- 1 Audio Write Chan SGD FLAG Shadow..** (Rx10[0])
- 0 Audio Read Chan SGD FLAG Shadow...** (Rx00[0])

Read / Only through function 5 and Read / Write through function 6:

Offset 8B-88 – Codec GPI Interrupt Status / GPIO ... RWC

- 31-16 GPI Interrupt Status** RWC
 - R GPI[15-0] Interrupt Status
 - W 1 to clear
- 15-0 Codec GPIO**RW
 - R Reflect status of Codec GPI[15-0]
 - W Triggers AC-Link slot-12 output to codec

Offset 8F-8C – Codec GPI Interrupt Enable RW

- 31-16 Interrupt on GPI[15-0] Change of Status**.....RW
 - 0 Disable
 - 1 Enable
- 15-0 Reserved** always reads 0

I/O Base 1 Registers – Audio FM NMI Status Registers

These registers are accessible through **function 5 only**.

I/O Offset 0 – FM NMI StatusRO

- 7-2 **Reserved** always reads 0
- 1-0 **FM NMI Status**
 - 00 Undefined
 - 01 OPL3 Bank 0
 - 10 OPL3 Bank 1
 - 11 Undefined

I/O Offset 1 – FM NMI Data.....RO

- 7-0 **FM NMI Data**
This register allows readback of the data written to the FM data port

I/O Offset 2 – FM NMI IndexRO

- 7-0 **FM NMI Index**
This register allows readback of the data written to the FM index port

I/O Base 2 Registers – MIDI / Game Port

I/O Offset 1-0 – MIDI Base..... RW

- 15-0 **MIDI Port Base Address**..... default = 0330h

I/O Offset 3-2 – Game Port Base..... RW

- 15-0 **Game Port Base Address** default = 0200h

These registers are functional only if Rx42[6] = 1

I/O Base 3 Registers – Codec Register Shadow

These registers are accessible through both functions 5 and 6.

I/O Offset 0-7Fh – Primary Codec Shadow..... RW

The content of these registers is updated when writing data to primary codec registers 0-7Fh or when valid primary codec register status is returned.

I/O Offset 80-FFh – Secondary Codec Shadow..... RW

The content of these registers is updated when writing data to secondary codec registers 0-7Fh or when valid secondary codec register status is returned.

Memory Mapped I/O APIC Registers

Memory Address FEC00000 – APIC Index.....RW

7-0 APIC Index default = 00h
8-bit pointer to APIC registers.

Memory Address FEC00013-10 – APIC 32-bit Data.....RW

31-0 APIC 32-bit Data default = 0000 0000h
Data for the APIC register pointed to by the APIC index

Memory Address FEC00020 – APIC IRO Pin AssertionWO

7-5 Reserved always reads 0

4-0 APIC IRQ Numberdefault undefined
IRQ # for this interrupt. Valid values are 0-23 only.

Memory Address FEC00040 – APIC EOI..... WO

7-0 Redirection Entry Cleardefault undefined
When a write is issued to this register, the APIC will check this field and compare it with the vector field for each entry in the I/O redirection table. When a match is found, the “Remote_IRR” bit for that I/O Redirection Entry will be cleared.

Indexed I/O APIC 32-Bit Registers

Offset 0 – APIC Identification (0000 0000h)..... RW

31-28 Reserved always reads 0

27-24 APIC Identification default = 0
Software must program this value before using the APIC.

23-0 Reserved always reads 0

Offset 1 – APIC Version (0017 0011h)..... RO

31-24 Reserved always reads 00h

23-16 Maximum Redirection always reads 17h
Equal to the number of APIC interrupt pins minus one. For this APIC, this value is 17h (23 decimal).

15-8 Reserved always reads 00h

7-0 APIC Version always reads 11h
The implementation version for this APIC is 11h.

Offset 2 – APIC Arbitration (0000 0000h)..... RO

31-28 Reserved always reads 00h

27-24 APIC Arbitration ID always reads 00h

23-0 Reserved always reads 00h

Offset 3F-10 – I/O Redirection Table

This table contains 24 registers, with one dedicated table entry for each of the 24 APIC interrupt signals. Each 64-bit register consists of two 32-bit values at consecutive index locations, with the low 32 bits at the even index and the upper 32 bits at the odd index. The default value for all registers is xxx1 xxxx xxxx xxxh.

- Offset 11-10 – I/O Redirection – APIC IRQ0RW**
- Offset 13-12 – I/O Redirection – APIC IRQ1RW**
- Offset 15-14 – I/O Redirection – APIC IRQ2RW**
- Offset 17-16 – I/O Redirection – APIC IRQ3RW**
- Offset 19-18 – I/O Redirection – APIC IRQ4RW**
- Offset 1B-1A – I/O Redirection – APIC IRQ5.....RW**
- Offset 1D-1C – I/O Redirection – APIC IRQ6RW**
- Offset 1F-1E – I/O Redirection – APIC IRQ7RW**
- Offset 21-20 – I/O Redirection – APIC IRQ8RW**
- Offset 23-22 – I/O Redirection – APIC IRQ9RW**
- Offset 25-24 – I/O Redirection – APIC IRQ10RW**
- Offset 27-26 – I/O Redirection – APIC IRQ11RW**
- Offset 29-28 – I/O Redirection – APIC IRQ12RW**
- Offset 2B-2A – I/O Redirection – APIC IRQ13.....RW**
- Offset 2D-2C – I/O Redirection – APIC IRQ14RW**
- Offset 2F-2E – I/O Redirection – APIC IRQ15RW**
- Offset 31-30 – I/O Redirection – APIC IRQ16RW**
- Offset 33-32 – I/O Redirection – APIC IRQ17RW**
- Offset 35-34 – I/O Redirection – APIC IRQ18RW**
- Offset 37-36 – I/O Redirection – APIC IRQ19RW**
- Offset 39-38 – I/O Redirection – APIC IRQ20RW**
- Offset 3B-3A – I/O Redirection – APIC IRQ21.....RW**
- Offset 3D-3C – I/O Redirection – APIC IRQ22RW**
- Offset 3F-3E – I/O Redirection – APIC IRQ23RW**

- Offset 42 – SMI on BIOS Write.....RW**
- 0 Disabledefault
- 1 Enable

- Offset 4B-48 – General Purpose InputRW**
- 31-0 GPI 31-0

- Offset 4F-4C – General Purpose Output.....RW**
- 31-0 GPO 31-0

Format for Each I/O Redirection Table Entry:

- Physical Mode (bit-11=0)
- 63-60 Reserved**always reads 0
- 59-56 APIC ID** default = undefined
- Logical Mode (bit-11=1)
- 63-56 Destination** default = undefined
- 55-17 Reserved**always reads 0
- 16 Interrupt Masked**
- 0 Not masked default
- 1 Masked
- 15 Trigger Mode**
- 0 Edge Sensitive default
- 1 Level Sensitive
- 14 Remote IRR (Level Sensitive Interrupts Only). RO**
- 0 EOI message with a matching interrupt vector received from a local APIC
- 1 Level sensitive interrupt sent by IOAPIC accepted by local APIC(s)
- 13 Interrupt Input Pin Polarity**
- 0 Active High..... default
- 1 Active Low
- 12 Delivery Status..... RO**
- Contains the current status of the delivery of this interrupt.
- 0 Idle (no activity)
- 1 Send Pending (the interrupt has been injected but its delivery is temporarily delayed either because the APIC bus is busy or because the receiving APIC unit cannot currently accept the interrupt)
- 11 Destination Mode**
- Determines the interpretation of bits 56-63.
- 0 Physical Mode default
- 1 Lowest Priority
- 10-8 Delivery Mode**
- Specifies how the APICs listed in the destination field should act upon reception of this signal
- 000 Fixed default
- 001 Logical Mode
- 010 SMI
- 011 -reserved-
- 100 NMI
- 101 INIT
- 110 -reserved-
- 111 External INT
- 7-0 Interrupt Vector**
- Contains the interrupt vector for this interrupt. Vector values range from 10h to FEh.

FUNCTIONAL DESCRIPTIONS

Power Management

Power Management Subsystem Overview

The power management function of the VT82C686B is indicated in the following block diagram:

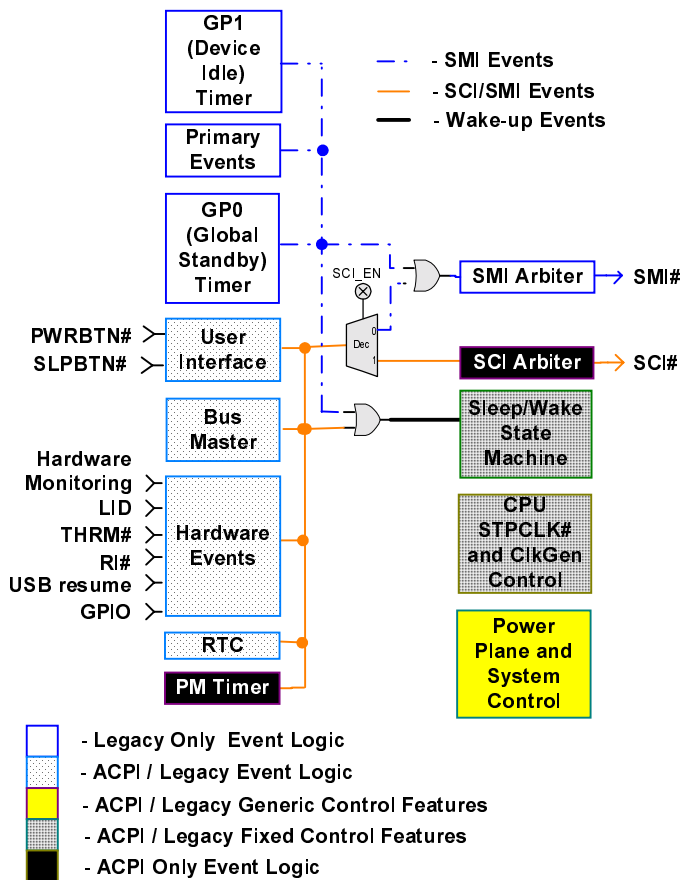


Figure 6. Power Management Subsystem Block Diagram

Refer to ACPI Specification v1.0 and APM specification v1.2 for additional information.

Processor Bus States

The VT82C686B supports the complete set of C0 to C3 processor states as specified in the Advanced Configuration and Power Interface (ACPI) specification (and defined in ACPI I/O space Registers 10-15):

- C0: Normal Operation
- C1: CPU Halt (controlled by software).
- C2: Stop Clock. Entered when the P_LVL2 register is read. The STPCLK# signal is asserted to put the processor in the Stop Grant State. The CPUSTP# signal is not asserted so that host clocks remain running. To exit this state, the chip negates STPCLK#.
- C3: Suspend. Entered when the P_LVL3 register is read. In addition to STPCLK# assertion as in the C2 state, the SUSST1# (suspend status 1) signal is asserted to tell the north bridge to switch to "Suspend DRAM Refresh" mode based on the 32KHz suspend clock (SUSCLK) provided by the VT82C686B. If the HOST_STP bit is enabled, then CPUSTP# is also asserted to stop clock generation and put the CPU into Stop Clock State. To exit this state, the chip negates CPUSTP# and allows time for the processor PLL to lock. Then the SUSST1# and STPCLK# signals are negated to resume to normal operation.

During normal operation, two mechanisms are provided to modulate CPU execution and control power consumption by throttling the duty cycle of STPCLK#:

- a. Setting the THT_EN bit to 1, the duty cycle defined in THT_DTY (IO space Rx10) is used.
- b. THRM# pin assertion enables automatic clock throttling with duty cycle pre-configured in THM_DTY (PCI configuration Rx4C).

System Suspend States and Power Plane Control

There are three power planes inside the VT82C686B. The first power plane (VCCS) is always on unless turned off by the mechanical switch. The second power plane (VCC) is controlled by chip output SUSC# (also called "PSON"). The third plane (VCCRTC) is powered by the combination of the VCCS and the external battery (VBAT) for the integrated real time clock. Most of the circuitry inside the VT82C686B is powered by VCC. The amount of logic powered by VCCS is very small; its main function is to control the supply of VCC and other power planes. VCCRTC is always on unless both the mechanical switch and VBAT are removed.

The VT82C686B supports multiple system suspend states by configuring the SLP_TYP field of ACPI I/O space register Rx4-5:

- a) **POS (Power On Suspend):** Most devices in the system remain powered. The host bus is put into an equivalent of the C3 state. In particular, the CPU is put into the Stop Grant State or Stop Clock State depending on the setting of the HOST_STP bit. SUSST1# is asserted to tell the north bridge to switch to "Suspend DRAM Refresh" mode based on the 32KHz SUSCLK provided by the VT82C686B. As to the PCI bus, setting the PCLK_RUN bit to 0 enables the CLKRUN protocol defined in the PCI Mobile Design Guide. That is, the PCKRUN# pin will be de-activated after the PCI bus is idle for 26 clocks. Any PCI bus masters including the north bridge may resume PCI clock operation by pulling the PCKRUN# pin low. During the PCKRUN# de-activation period, the PCISTP# pin may be activated to disable the output of the PCI clock generator if the PCI_STP bit is enabled. When the system resumes from POS, the VT82C686B can optionally resume without resetting the system, can reset the processor only, or can reset the entire system. When no reset is performed, the chip only needs to wait for the clock synthesizer and processor PLL to lock before the system is resumed, which typically takes 20ms.
- b) **STR (Suspend to RAM):** Power is removed from most of the system except the system DRAM. Power is supplied to the suspend refresh logic in the north bridge (VTT of VT82C598) and the suspend logic of the VT82C686B (VCCS). The VT82C686B provides a 32KHz suspend clock to the north bridge for it to use to continue DRAM refresh.
- c) **STD (Suspend to Disk, also called Soft-off):** Power is removed from most of the system except the suspend logic of VT82C686B (VCCS).
- d) **Mechanical Off:** This is not a suspend state. All power in the system is removed except the RTC battery.

The suspend state is entered by setting the SLP_EN bit to 1. Three power plane control signals (SUSA#, SUSB# and

SUSC#) are provided to turn off more system power planes as the system moves to deeper power-down states, i.e., from normal operation to POS (only SUSA# asserted), to STR (both SUSA# and SUSB# asserted), and to STD (all three SUS# signals asserted). In particular, the assertion of SUSC# can be used to turn off the VCC supply to the VT82C686B.

One additional suspend status indicator (SUSST1#) is provided to inform the north bridge and the rest of the system of the processor and system suspend states. SUSST1# is asserted when the system enters the suspend state or the processor enters the C3 state. SUSST1# is connected to the north bridge to switch between normal and suspend-DRAM-refresh modes.

General Purpose I/O Ports

As ACPI compliant hardware, the VT82C686B includes PWRBTN#, SLPBTN#, and RI# pins to implement power button, sleep button, and ring indicator functionality, respectively. Furthermore, the VT82C686B offers many general-purpose I/O ports with the following capabilities:

- **I²C/SMB Support**
- **Thermal Detect**
- **Notebook Lid Open/Close Detect**
- **Battery Low Detect**
- **Twelve General Purpose Input Ports** (multiplexed with other functions).
- **Nineteen General Purpose Output Ports** (1 dedicated and 18 multiplexed with other functions)
- **Four General Purpose Input / Output Ports** (multiplexed with other functions)

In addition, the VT82C686B provides an external dedicated SMI pin (EXTSMI#). The external SMI input can be programmed to trigger an SCI or SMI at both the rising and falling edges of the corresponding input signal. Software can check the status of the input pin and take appropriate actions.

Power Management Events

Three types of power management events are supported:

- 1) **ACPI-required Fixed Events** defined in the PM1a_STS and PM1a_EN registers. These events can trigger either SCI or SMI depending on the SCI_EN bit:
 - PWRBTN# Triggering
 - RTC Alarm
 - Sleep Button
 - ACPI Power Management Timer Carry (always SCI)
 - BIOS Release (always SCI)
- 2) **ACPI-aware General Purpose Function Events** defined in the GP_STS and GP_SCI_EN, and GP_SMI_EN registers. These events can trigger either SCI or SMI depending on the setting of individual SMI and SCI enable bits:
 - External SMI triggering
 - USB Resume
 - Ring Indicator (RI#)
 - Battery Low Detect (BATLOW#)
 - Notebook Lid Open/Close Detect (LID)
 - Thermal Detect (THRM#)

- 3) **Generic Global Events** defined in the GBL_STS and GBL_EN registers. These registers are mainly used for SMI:
 - PCI Bus Clock Run Resume
 - Primary Interrupt Occurance
 - GP0 and GP1 Timer Time Out
 - Secondary Event Timer Time Out
 - Occurrence of Primary Events (defined in register PACT_STS and PACT_EN)
 - Legacy USB accesses (keyboard and mouse)
 - Software SMI

System and Processor Resume Events

Depending on the system suspend state, different features can be enabled to resume the system. There are two classes of resume events:

- a) **VCCS-based events.** Event logic resides in the VCCS plane and thus can resume the system from any suspend state. Such events include PWRBTN#, RI#, BATLOW#, LID, SMBus resume event, RTC alarm, EXTSMI#, and GP1 (EXTSMI1#).
- b) **VCC-Based Events.** Event logic resides in the VCC plane and thus can only resume the system from the POS state. Such events include the ACPI PM timer, USB resume, and EXTSMIn#.

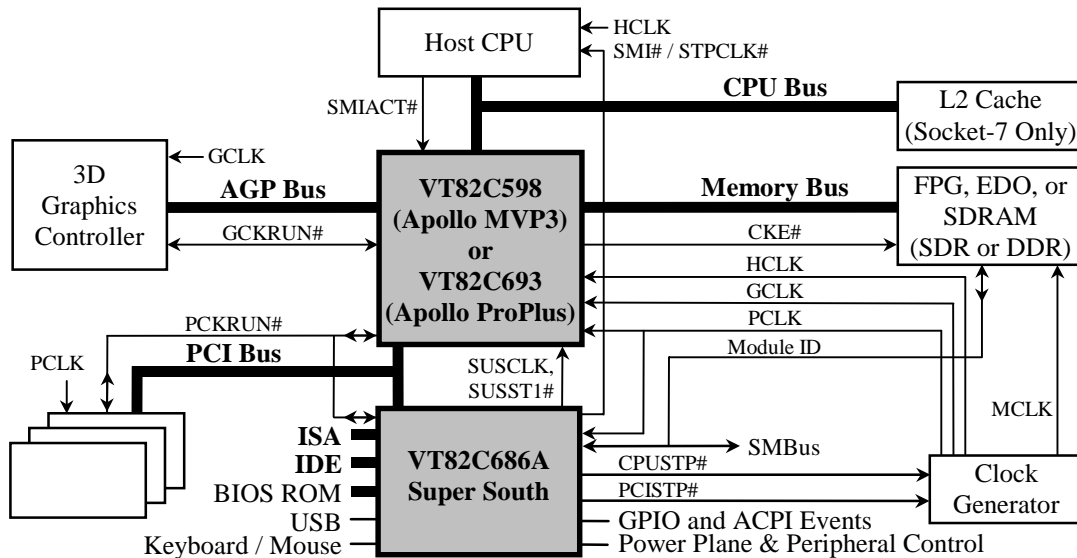


Figure 7. System Block Diagram Using the VT82C686B Super South Bridge

Legacy Power Management Timers

In addition to the ACPI power management timer, the VT82C686B includes the following four legacy power management timers:

- GP0 Timer:** general purpose timer with primary event
- GP1 Timer:** general purpose timer with peripheral event reload
- Secondary Event Timer:** to monitor secondary events
- Conserve Mode Timer:** Hardware-controlled return to standby

The normal sequence of operations for a general purpose timer (GP0 or GP1) is to

- 1) First program the time base and timer value of the initial count (register GP_TIM_CNT).
- 2) Then activate counting by setting the GP0_START or GP1_START bit to one: the timer will start with the initial count and count down towards 0.
- 3) When the timer counts down to zero, an SMI will be generated if enabled (GP0TO_EN and GP1TO_EN in the GBL_EN register) with status recorded (GP0TO_STS and GP1TO_STS in the GBL_STS register).
- 4) Each timer can also be programmed to reload the initial count and restart counting automatically after counting down to 0. This feature is not used in standard VIA BIOS.

The GP0 and GP1 timers can be used just as the general purpose timers described above. However, they can also be programmed to reload the initial count by system primary events or peripheral events thus used as primary event (global standby) timer and peripheral timer, respectively. The secondary event timer is solely used to monitor secondary events.

System Primary and Secondary Events

Primary system events are distinguished in the PRI_ACT_STS and PRI_ACT_EN registers:

<u>Bit</u>	<u>Event</u>	<u>Trigger</u>
7	Keyboard Access	I/O port 60h
6	Serial Port Access	I/O ports 3F8h-3FFh, 2F8h-2FFh, 3E8h-3EFh, or 2E8h-2EFh
5	Parallel Port Access	I/O ports 378h-37Fh or 278h-27Fh
4	Video Access	I/O ports 3B0h-3DFh or memory A/B segments
3	IDE/Floppy Access	I/O ports 1F0h-1F7h, 170h-177h, or 3F5h
2	Reserved	
1	Primary Interrupts	Each channel of the interrupt controller can be programmed to be a primary or secondary interrupt
0	ISA Master/DMA Activity	

Each category can be enabled as a primary event by setting the corresponding bit of the PRI_ACT_EN register to 1. If

enabled, the occurrence of the primary event reloads the GP0 timer if the PACT_GP0_EN bit is also set to 1. The cause of the timer reload is recorded in the corresponding bit of PRI_ACT_STS register while the timer is reloaded. If no enabled primary event occurs during the count down, the GP0 timer will time out (count down to 0) and the system can be programmed (setting the GP0TO_EN bit in the GBL_EN register to one) to trigger an SMI to switch the system to a power down mode.

The VT82C686B distinguishes two kinds of interrupt requests as far as power management is concerned: the primary and secondary interrupts. Like other primary events, the occurrence of a primary interrupt demands that the system be restored to full processing capability. Secondary interrupts, however, are typically used for housekeeping tasks in the background unnoticeable to the user. The VT82C686B allows each channel of interrupt request to be declared as either primary, secondary, or ignorable in the PIRQ_CH and SIRQ_CH registers. Secondary interrupts are the only system secondary events defined in the VT82C686B.

Like primary events, primary interrupts can be made to reload the GP0 timer by setting the PIRQ_EN bit to 1. Secondary interrupts do not reload the GP0 timer. Therefore the GP0 timer will time out and the SMI routine can put the system into power down mode if no events other than secondary interrupts are happening periodically in the background.

Primary events can be programmed to trigger an SMI (setting of the PACT_EN bit). Typically, this SMI triggering is turned off during normal system operation to avoid degrading system performance. Triggering is turned on by the SMI routine before entering the power down mode so that the system may be returned to normal operation at the occurrence of primary events. At the same time, the GP0 timer is reloaded and the count down process is restarted.

Peripheral Events

Primary and secondary events define system events in general and the response is typically expressed in terms of system events. Individual peripheral events can also be monitored by the VT82C686B through the GP1 timer. The following four categories of peripheral events are distinguished (via register GP_RLD_EN):

- Bit-7 **Keyboard Access**
- Bit-6 **Serial Port Access**
- Bit-4 **Video Access**
- Bit-3 **IDE/Floppy Access**

The four categories are subsets of the primary events as defined in PRI_ACT_EN and the occurrence of these events can be checked through a common register PRI_ACT_STS. As a peripheral timer, GP1 can be used to monitor one (or more than one) of the above four device types by programming the corresponding bit to one and the other bits to zero. Time out of the GP1 timer indicates no activity of the corresponding device type and appropriate action can be taken as a result.

ELECTRICAL SPECIFICATIONS

Absolute Maximum Ratings

Parameter	Min	Max	Unit	Comment
Storage temperature	-55	125	°C	T _S
Operating temperature - Case	0	85	°C	T _C
Operating temperature - Ambient	0	70	°C	T _A
Reference Voltage	0	5.5	Volts	V _{REF}
Core Voltage	0	3.6	Volts	V _{CC}
Suspend Voltage	-0.5	V _{CC} + 0.3	Volts	V _{SUS}
USB Voltage	-0.5	V _{CC} + 0.3	Volts	V _{USB}
Hardware Monitor Voltage	-0.5	V _{CC} + 0.3	Volts	V _{HWM}
Battery Voltage	-0.5	V _{CC} + 0.3	Volts	V _{BAT}
Input voltage (3.3V only inputs)	-0.5	V _{CC} + 0.3	Volts	FERR#, USBCLK, PWRBTN#, EXTSMI#, BATLOW#, FAN1, FAN2, SMBCLK, SMBDATA
Input voltage (5V tolerant inputs)	-0.5	V _{REF} + 0.5	Volts	All other inputs

Note: Stress above the conditions listed may cause permanent damage to the device. Functional operation of this device should be restricted to the conditions described under operating conditions.

DC Characteristics

T_A -0-70°C, V_{REF}=5V ±5%, V_{CC}= V_{CCS}= V_{CCH}= V_{CCU}=3.3V ±0.3V, V_{BAT}=3.3V +0.3/-1.3V, GND=0V

Symbol	Parameter	Min	Max	Unit	Condition
V _{IL}	Input low voltage	-0.5	0.8	V	
V _{IH}	Input high voltage	2.0	V _{CC} +0.3	V	
V _{OL}	Output low voltage	-	0.45	V	I _{OL} = 4.0mA
V _{OH}	Output high voltage	2.4	-	V	I _{OH} = -1.0mA
I _{IL}	Input leakage current	-	±10	uA	0 < V _{IN} < V _{CC}
I _{OZ}	Tristate leakage current	-	±20	uA	0.45 < V _{OUT} < V _{CC}
I _{CC}	Power supply current	-	80	mA	

PACKAGE MECHANICAL SPECIFICATIONS

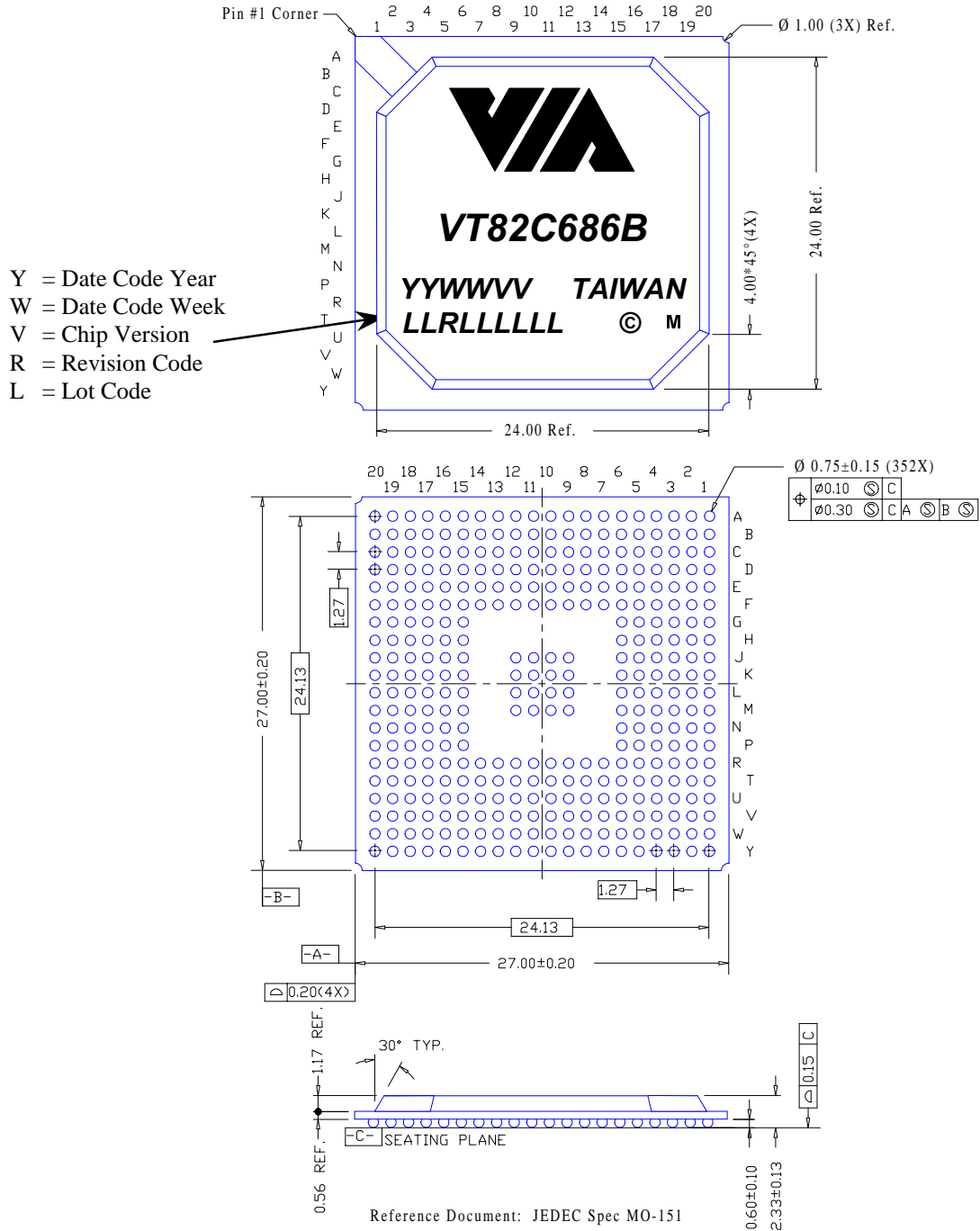


Figure 8. Mechanical Specifications – 352 Pin Ball Grid Array Package