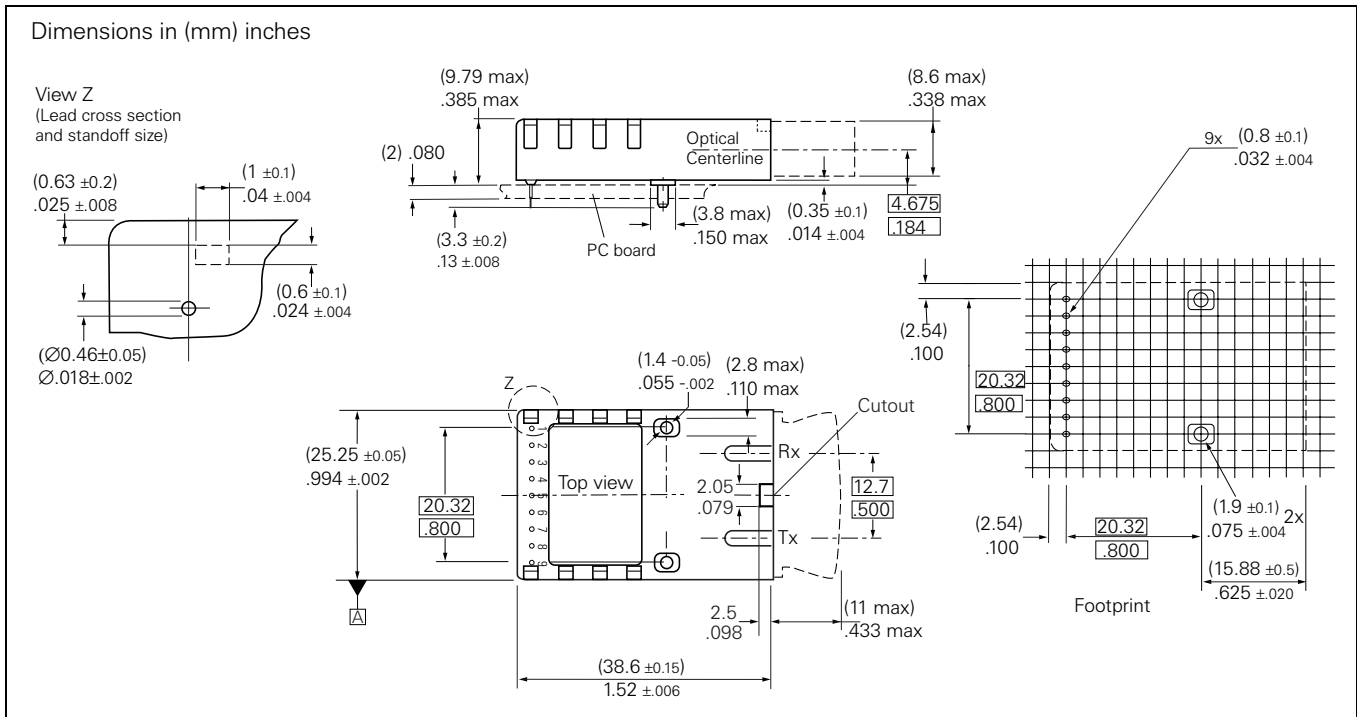


SIEMENS

AC/DC (5V/3.3V) **V23826-H18-C13/C313**
 AC/AC TTL (5V/3.3V) **V23826-H18-C53/C353**
 DC/DC (5V/3.3V) **V23826-H18-C63/C363**
 AC/AC PECL (5V/3.3V) **V23826-H18-C73/C373**
Single Mode 1300 nm 622 MBd ATM 1x9 Transceiver

Preliminary



- Wave solderable and washable with process plug inserted
- For distances of up to 15 km on single mode fiber
- Industry standard multisource footprint
- A special multimode-only version available on request

Absolute Maximum Ratings

Exceeding any one of these values may destroy the device immediately.

Package Power Dissipation ⁽¹⁾	1.5 W
Supply Voltage (V _{CC} -V _{EE}) 5 V	6 V
3.3 V	4 V
Data Input Levels (PECL).....	V _{CC} -0.5 V
Differential Data Input Voltage.....	2.5 V
Operating Ambient Temperature.....	0° to 70°C
Storage Ambient Temperature	-40°C to 85°C
Soldering Conditions Temp/Time (MIL-STD 883C, Method 2003)	250°C/5.5s

Note

1. For V_{CC}-V_{EE} (min., max.). 50% duty cycle. The supply current does not include the load drive current of the receiver output.

FEATURES

- Compliant with existing standards
- Meets mezzanine standard height of 9.8 mm
- Compact integrated transceiver unit with
 - MQW laser diode transmitter
 - InGaAs PIN photodiode receiver
 - Duplex SC receptacle
- Class 1 FDA and IEC laser safety compliant
- Single power supply (5 V or 3.3 V)
- Signal detect indicator (PECL and TTL versions)
- PECL differential inputs and outputs
- Process plug included

DESCRIPTION

The Siemens single mode ATM transceiver complies with the ATM Forum's *Network Compatible ATM for Local Network Applications* document and ANSI's *Broadband ISDN—Customer Installation Interfaces, Physical Media Dependent Specification*, T1.646-1995.

ATM was developed to facilitate solutions in multimedia applications and real time transmission. The data rate is scalable, and the ATM protocol is the basis of the broadband public networks being standardized in the International Telecommunications Union (ITU), the former International Telegraph and Telephone Consultative Committee (CCITT). ATM can also be used in local private applications.

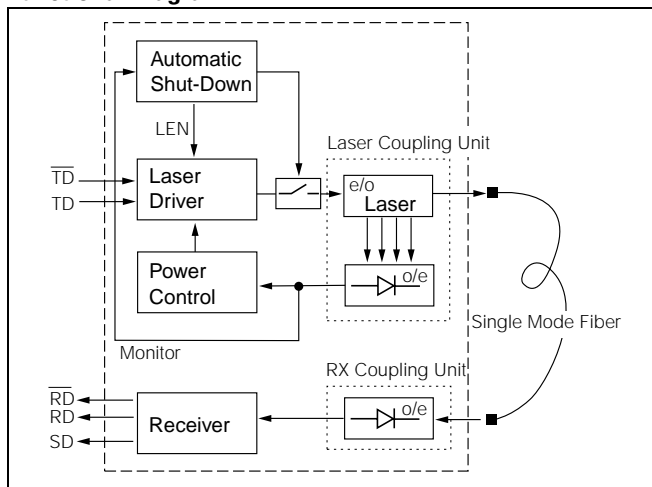
The Siemens single mode ATM transceiver is a single unit comprised of a transmitter, a receiver, and an SC receptacle. This design frees the customer from many alignment and PC board layout concerns. The module is designed for low cost WAN applications. It can be used as the network end device interface in workstations, servers, and storage devices, and in a broad range of network devices such as bridges, routers, and intelligent hubs, as well as wide area ATM switches.

This transceiver operates at 622.080 Mb/s from a single power supply (+5 Volt or 3.3 Volt). The full differential data inputs and outputs are PECL compatible.

Functional Description of 1x9 Pin Row Transceiver

This transceiver is designed to transmit serial data via single mode cable.

Functional Diagram



The receiver component converts the optical serial data into PECL compatible electrical data (RD and RDnot). The Signal Detect (SD, active high) shows whether an optical signal is present.

The transmitter converts electrical PECL compatible serial data (TD and TDnot) into optical serial data.

The following versions are available:

1. AC/DC Transceiver

Tx is AC coupled with differential 100 Ω load. Rx has standard PECL output and is DC coupled.

2. AC/AC TTL Transceiver

Tx and Rx are AC coupled. Tx has differential 100 Ω load. Signal Detect is TTL compatible.

3. DC/DC Transceiver

Standard PECL inputs and outputs Tx and Rx are DC coupled.

4. AC/AC PECL Transceiver

Tx and Rx are AC coupled. Tx has differential 100 Ω load. Signal Detect is PECL compatible.

The transmitter contains a laser driver circuit that drives the modulation and bias current of the laser diode. The currents are controlled by a power control circuit to guarantee constant output power of the laser over temperature and aging. The power control uses the output of the monitor PIN diode (mechanically built into the laser coupling unit) as a controlling signal, to prevent the laser power from exceeding the operating limits.

Single fault condition is ensured by means of an integrated automatic shutdown circuit that disables the laser when it detects transmitter failures. A reset is only possible by turning the power off, and then on again.

The DC/DC transceiver contains a data input monitor, that switches the transmitter off when Data Input receives at a continuously low level.

The transceiver contains a supervisory circuit to control the power supply. This circuit makes an internal reset signal whenever the supply voltage drops below the reset threshold. It keeps the reset signal active for at least 15 milliseconds after the voltage has risen above the reset threshold. During this time the laser is inactive.

TECHNICAL DATA

The electro-optical characteristics described in the following tables are only valid for use under the recommended operating conditions.

Recommended Operating Conditions

Parameter	Symbol	Min.	Typ.	Max.	Units	
Ambient Temperature	T _{AMB}	0		70	°C	
Power Supply Voltage	3.3 V	V _{CC-V_{EE}}	3.1	3.3	3.5	V
	5 V		4.75	5	5.25	
Supply Current ⁽¹⁾	3.3 V	I _{CC}		230	mA	
	5 V			250		

Transmitter

Data Input High Voltage DC/DC	V _{IH-V_{CC}}	-1165		-880	mV
Data Input Low Voltage DC/DC	V _{IL-V_{CC}}	-1810		-1475	
Data Input Differential Voltage ⁽²⁾ AC/DC, AC/AC TTL, AC/AC PECL	V _{DIFF}	300		800	
Input Data Rise/Fall Time 10%–90%	t _R , t _F	100		1300	ps

Receiver

Input Center Wavelength	λ_C	1270		1355	nm
-------------------------	-------------	------	--	------	----

Note

- For V_{CC-V_{EE}} (min., max.) 50% duty cycle. The supply current does not include the load drive current of the receiver output.
- Peak-to-peak voltage of one input.

Transmitter Electro-Optical Characteristics

Transmitter	Symbol	Min.	Typ.	Max.	Units
Launched Power (Average) ⁽¹⁾	P _O	-15	-11	-8	dBm
Center Wavelength	λ _C	1274		1355	nm
Spectral Width (RMS)	σ _λ			2.5	
Relative Intensity Noise	RIN			-120	dB/Hz
Extinction Ratio (Dynamic)	ER	8.2			dB
Reset Threshold ⁽²⁾	V _{TH}		2.7		V
Reset Time Out ⁽²⁾	t _{RES}	15	22	35	ms
Eye Diagram ⁽³⁾	ED				

Notes

- Into single mode fiber, 9 μm diameter.
- Laser power is shut down if power supply is below V_{TH} and switched on if power supply is above V_{TH} after t_{RES}.
- Transmitter meets ANSI T1E1.2, SONET OC-12, and ITU G.957 mask patterns.

Receiver Electro-Optical Characteristics

Receiver	Symbol	Min.	Typ.	Max.	Units
Sensitivity (Average Power) ⁽¹⁾	P _{IN}		-30	-28	dBm
Saturation (Average Power)	P _{SAT}	-8			
Signal Detect Assert Level ⁽²⁾	P _{SDA}			-28	
Signal Detect Deassert Level ⁽³⁾	P _{SDD}	-38			
Signal Detect Hysteresis	P _{SDA} - P _{SDD}		1.5		dB
Signal Detect Assert Time	t _{ASS}			100	μs
Signal Detect Deassert Time	t _{DAS}			350	
Output Low Voltage ⁽⁴⁾	V _{OL} -V _{CC}	-1950		-1600	mV
Output High Voltage ⁽⁴⁾	V _{OH} -V _{CC}	-1025		-720	
Signal Detect Output Voltage AC/AC TTL ⁽⁵⁾	Low	V _{SDL}		0.5	V
	High	V _{SDH}	2		
Data Output Differential Voltage ⁽⁶⁾	V _{DIFF}	0.5		0.9	
Output Data Rise/Fall Time, 20%–80%	t _R , t _F			375	ps
Return Loss of Receiver	A _{RL}	12			dB

Notes

- Minimum average optical power at which the BER is less than 1×10⁻¹² or lower. Measured with a 2²³-1 NRZ PRBS as recommended by ANSI T1E1.2, SONET OC-12, and ITU G.957.
- An increase in optical power above the specified level will cause the SIGNAL DETECT output to switch from a Low state to a High state.
- A decrease in optical power below the specified level will cause the SIGNAL DETECT to change from a High state to a Low state.
- DC/DC, AC/DC for data
DC/DC, AC/DC, AC/AC PECL for Signal Detect
PECL compatible. Load is 50 Ω into V_{CC} -2 V for data, 500 Ω to V_{EE} for Signal Detect. Measured under DC conditions. For dynamic measurements a tolerance of 50 mV should be added. V_{CC}=3.3 V/5 V.
- Max. output current high: -0.4 mA (drive current)
low: +2.0 mA (sink current)
- AC/AC for data. Load 50 Ω to GND or 100 Ω differential. For dynamic measurement a tolerance of 50mV should be added.

LASER SAFETY

This single mode transceiver is a Class 1 laser product. It complies with IEC 825-1 and FDA 21 CFR 1040.10 and 1040.11. The laser Class 1 is guaranteed within the Absolute Maximum Ratings.

Caution

The use of optical instruments with this product will increase eye hazard!

Usage Restrictions

The optical ports of the modules should be terminated with an optical connector or with a dust plug.

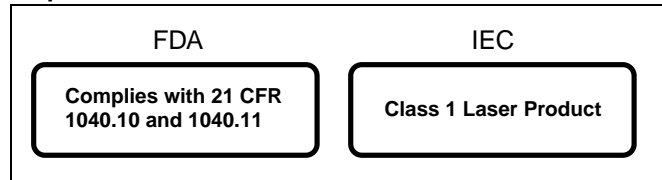
Note

Failure to adhere to the above restrictions could result in a modification that is considered an act of "manufacturing," and will require, under law, recertification of the modified product with the U.S. Food and Drug Administration (ref. 21 CFR 1040.10 (i)).

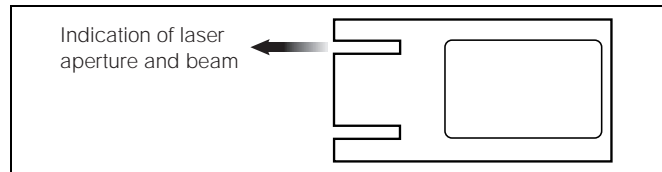
Laser Data

Wavelength	1300 nm
Total output power (as defined by IEC: 50 mm aperture at 10 cm distance)	less than 2 mW
Total output power (as defined by FDA: 7 mm aperture at 20 cm distance)	less than 180 μW
Beam divergence	4°

Required Labels



Laser Emission



Pin Description

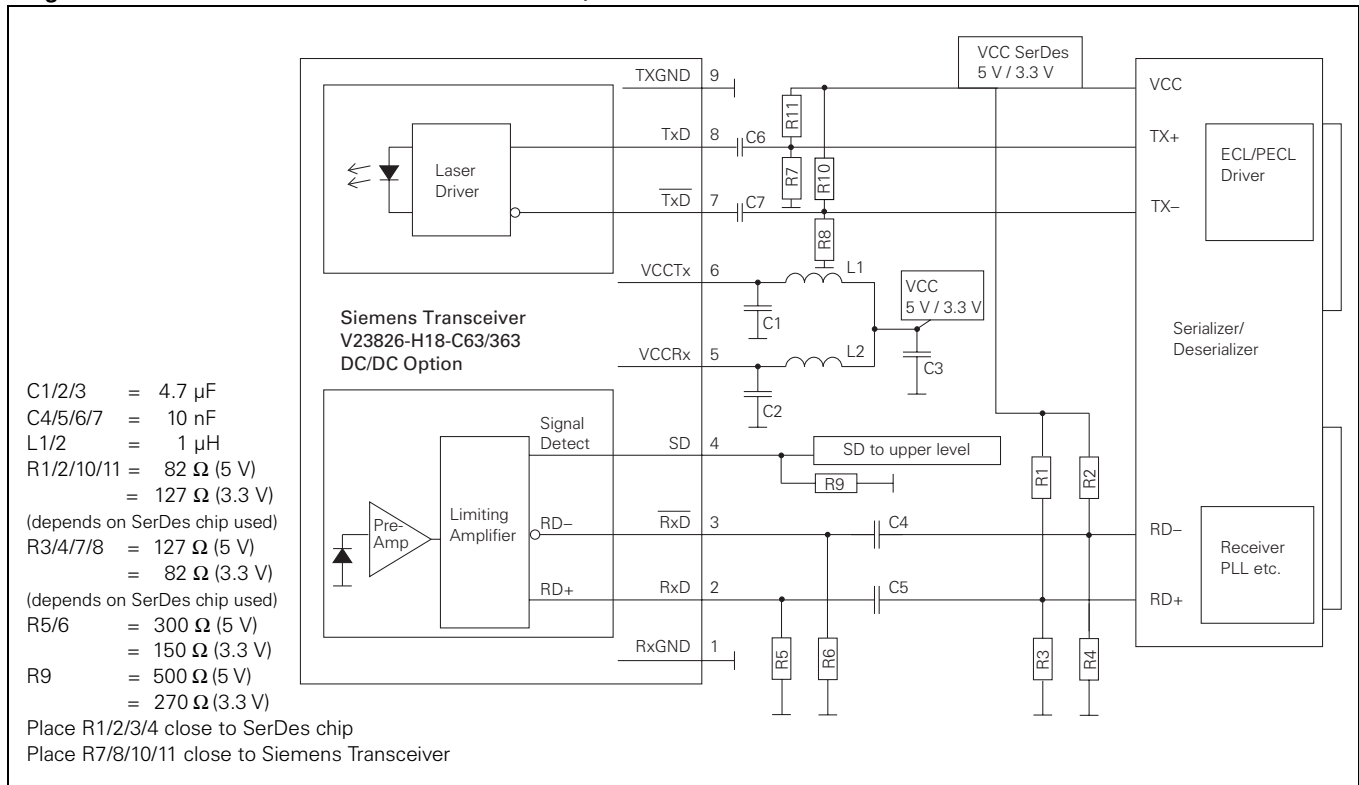
Pin Name	Level/Logic	Pin#	Description
RxV _{EE}	Rx Ground	1	Negative power supply, normally ground
RD	Rx Output Data	2	Receiver output data
RDn		3	Inverted receiver output data
SD	RX Signal Detect	4	High level on this output shows there is an optical signal.
RxV _{CC}	Rx 3.3 V/5 V	5	Positive power supply, 3.3 V/5 V
TxV _{CC}	Tx 3.3 V/5 V	6	
TDn	Tx Input Data	7	Inverted transmitter input data
TD		8	Transmitter input data
TxV _{EE}	Tx Ground	9	Negative power supply, normally ground
Case	Support	S1/2	Support stud (floating)

Regulatory Compliance

Feature	Standard	Comments
Electrostatic Discharge (ESD) to the Electrical Pins	MIL-STD 883C Method 3015.4	Class 1 (>1000 V)
Immunity: Electrostatic Discharge (ESD) to the Duplex SC Receptacle	EN 61000-4-2 IEC 1000-4-2	Discharges of ±15kV with an air discharge probe on the receptacle cause no damage.
Immunity: Radio Frequency Electromagnetic Field	EN 61000-4-3 IEC 1000-4-3	With a field strength of 10 V/m rms, noise frequency ranges from 10 MHz to 1 GHz. No effect on transceiver performance between the specification limits.

APPLICATION NOTE

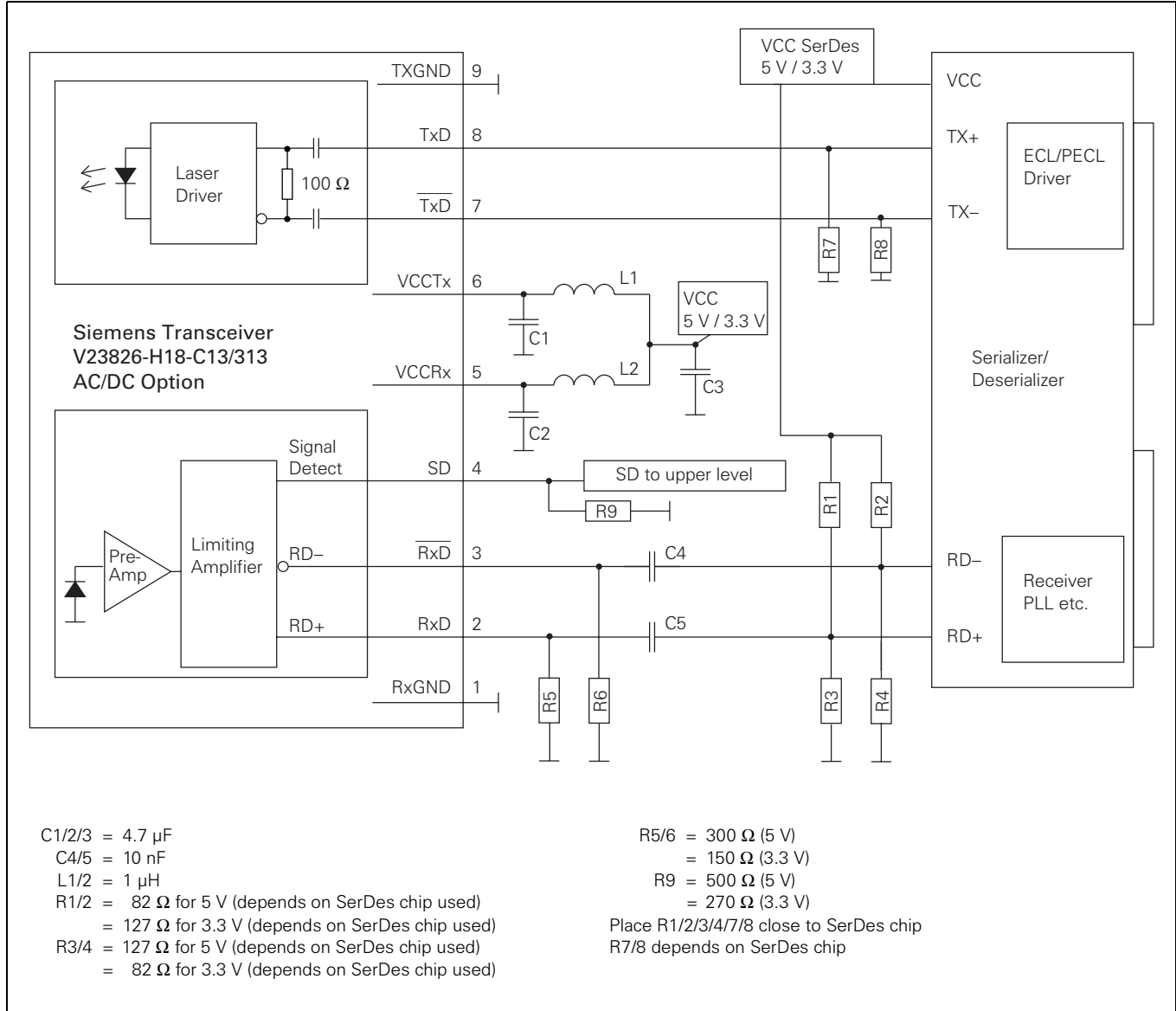
Single Mode 1300 nm 622 MBd ATM 1x9 Transceiver, DC/DC Version



Values of R1/2/3/4 may vary as long as proper 50 Ω termination to V_{EE} or 100 Ω differential is provided. The power supply filtering is required for good EMI performance. Use short tracks from the inductor L1/L2 to the module V_{CC}Rx/V_{CC}Tx.

The transceiver contains an automatic shutdown circuit. Reset is only possible if the power is turned off, and then on again. (V_{CC}Tx switched below V_{TH}). Application Board available on request.

APPLICATION NOTE
Single Mode 1300nm 622 MBd ATM 1x9 Transceiver, AC/DC Version

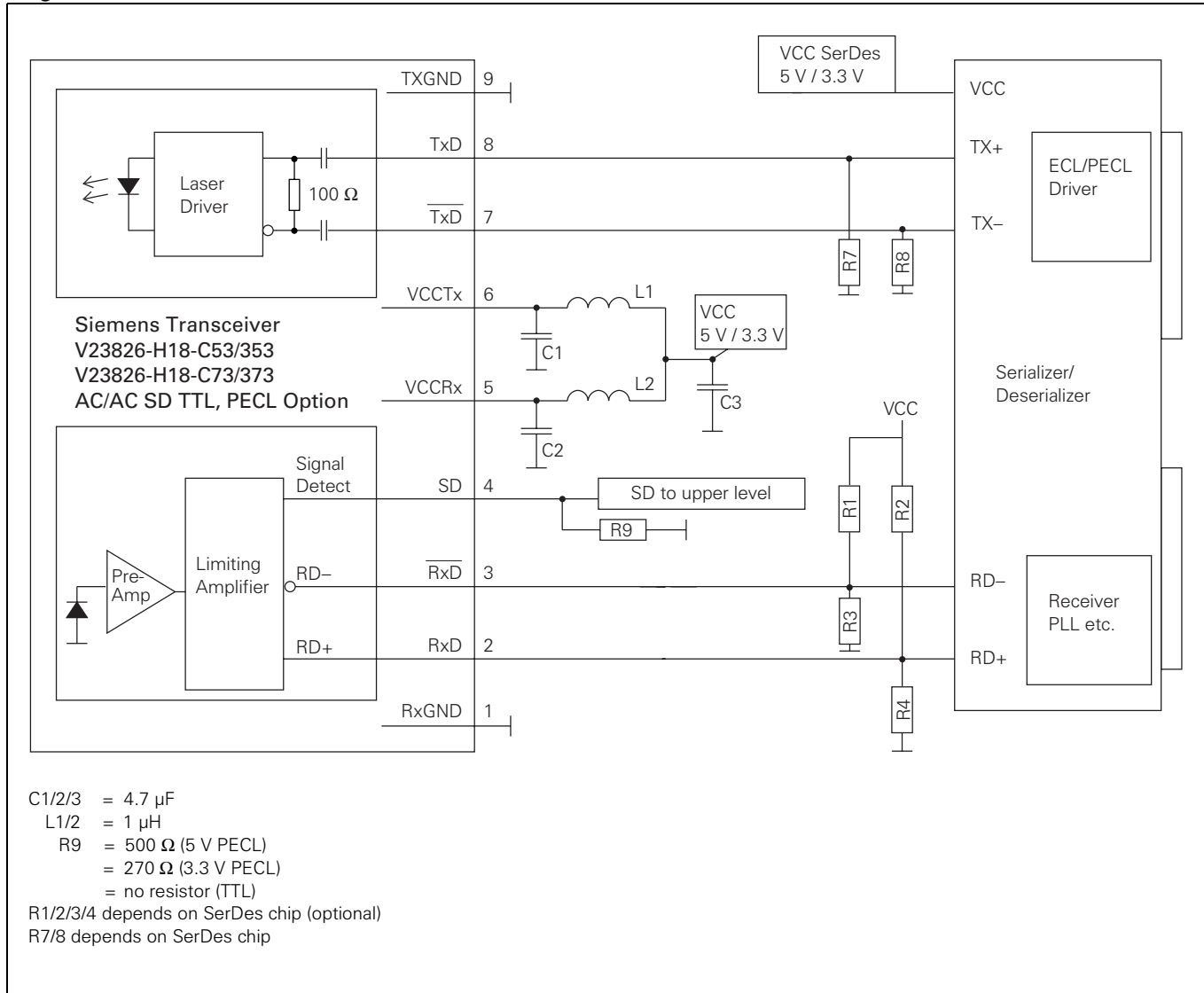


Values of R1/2/3/4 may vary as long as proper 50 Ω termination to V_{EE} or 100 Ω differential is provided. The power supply filtering is required for good EMI performance. Use short tracks from the inductor L1/L2 to the module V_{CCRx}/V_{CCTx} .

The transceiver contains an automatic shutdown circuit. Reset is only possible if the power is turned off, and then on again. (V_{CCTx} switched below V_{TH}). Application Board available on request.

APPLICATION NOTE

Single Mode 1300nm 622 MBd ATM 1x9 Transceiver, AC/AC TTL and AC/AC PECL Versions



The power supply filtering is required for good EMI performance. Use short tracks from the inductor L1/L2 to the module V_{CC}Rx/V_{CC}Tx.

The transceiver contains an automatic shutdown circuit. Reset is only possible if the power is turned off, and then on again. (V_{CC}Tx switched below V_{TH}).
Application Board available on request.