

Features

- High speed switching
- Low on-resistance
- No secondary breakdown
- Low driving power
- Avalanche-proof

Applications

- Switching regulators
- UPS (Uninterruptible Power Supply)
- DC-DC converters

Maximum ratings and characteristic Absolute maximum ratings

(Tc=25°C unless otherwise specified)

Item	Symbol	Ratings	Unit
Drain-source voltage	V _{DS}	600	V
Continuous drain current	I _D	±10	A
Pulsed drain current	I _{D(puls)}	±40	A
Gate-source voltage	V _{GS}	±30	V
Repetitive or non-repetitive	IAR *2	10	A
Maximum Avalanche Energy	EAS *1	217	mJ
Maximum Drain-Source dV/dt	dV _{DS} /dt *4	20	kV/μs
Peak Diode Recovery dV/dt	dV/dt *3	5	kV/μs
Max. power dissipation	P _D	T _a =25°C	2.02
		T _c =25°C	95
Operating and storage temperature range	T _{ch}	+150	°C
	T _{stg}	-55 to +150	°C

*1 L=3.99mH, V_{CC}=60V *2 T_{ch}≤150°C *3 I_F≤-I_D, -di/dt=50A/μs, V_{CC}≤BV_{bss}, T_{ch}≤150°C
 *4 V_{DS}≤600V

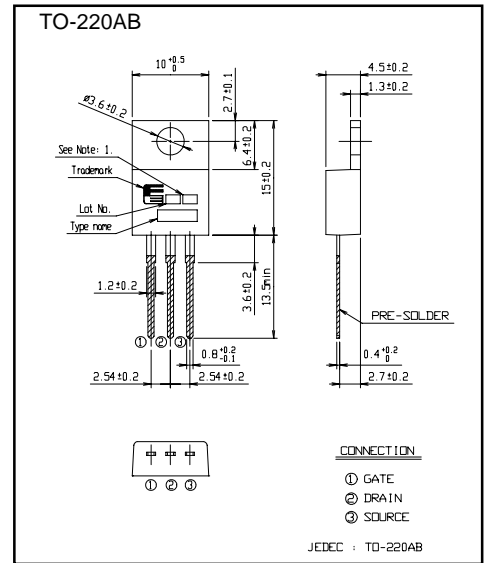
Electrical characteristics (Tc =25°C unless otherwise specified)

Item	Symbol	Test Conditions	Min.	Typ.	Max.	Units	
Drain-source breakdown voltage	V _{(BR)DSS}	I _D =1mA V _{GS} =0V	600			V	
Gate threshold voltage	V _{GS(th)}	I _D =250μA V _{DS} =V _{GS}	3.0		5.0	V	
Zero gate voltage drain current	I _{DSS}	V _{DS} =600V V _{GS} =0V V _{DS} =480V V _{GS} =0V	T _{ch} =25°C		25	μA	
			T _{ch} =125°C		250		
Gate-source leakage current	I _{GSS}	V _{GS} =±30V V _{DS} =0V		10	100	nA	
Drain-source on-state resistance	R _{DS(on)}	I _D =5A V _{GS} =10V		0.58	0.75	Ω	
Forward transconductance	g _{fs}	I _D =5A V _{DS} =25V	4	8		S	
Input capacitance	C _{iss}	V _{DS} =25V V _{GS} =0V f=1MHz		1200	1800	pF	
Output capacitance	C _{oss}				140		210
Reverse transfer capacitance	C _{rss}				6		9
Turn-on time t _{on}	td(on)	V _{CC} =300V I _D =5A V _{GS} =10V		17	26	ns	
	t _r				15		23
Turn-off time t _{off}	td(off)	R _{GS} =10 Ω		35	53		
	t _r				7		11
Total Gate Charge	Q _G	V _{CC} =250V		30	45	nC	
Gate-Source Charge	Q _{GS}	I _D =10A		11	16.5		
Gate-Drain Charge	Q _{GD}	V _{GS} =10V		10	15		
Avalanche capability	I _{AV}	L=3.99mH T _{ch} =25°C	10			A	
Diode forward on-voltage	V _{SD}	I _F =10A V _{GS} =0V T _{ch} =25°C		1.00	1.50	V	
Reverse recovery time	t _{rr}	I _F =10A V _{GS} =0V		0.75		μs	
Reverse recovery charge	Q _{rr}	-di/dt=100A/μs T _{ch} =25°C		5.0		μC	

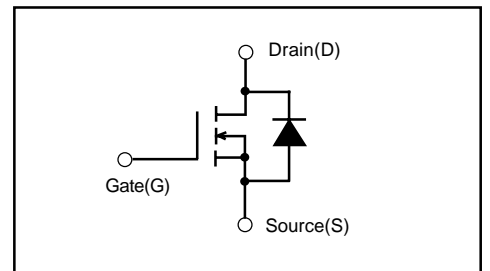
Thermal characteristics

Item	Symbol	Test Conditions	Min.	Typ.	Max.	Units
Thermal resistance	R _{th(ch-c)}	channel to case			1.32	°C/W
	R _{th(ch-a)}	channel to ambient			62.0	°C/W

Outline Drawings



Equivalent circuit schematic



Characteristics

