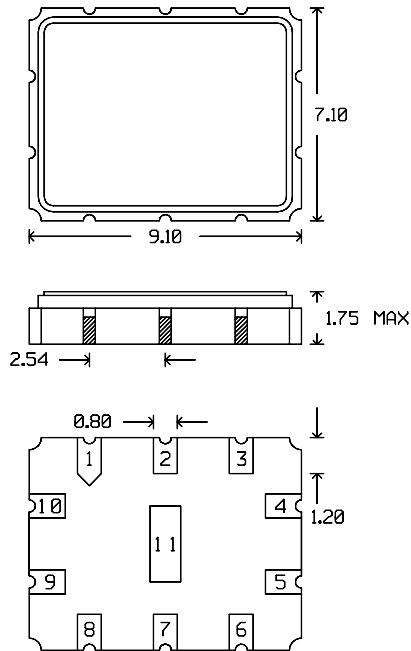




PACKAGE OUTLINE

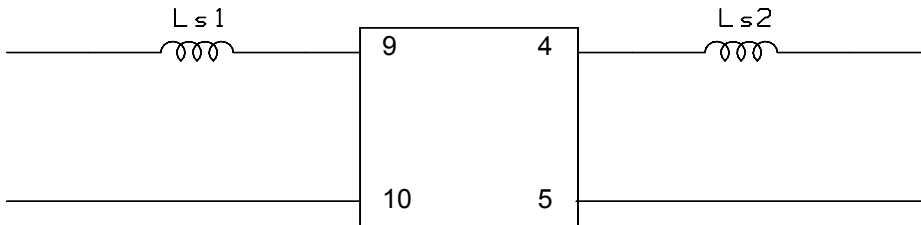


Units: mm

Pad Configuration:

- Input: 9
- Input return: 10
- Output: 4
- Output Return: 5
- Case Ground: All other pins

MATCHING CIRCUIT



Typical component values: $L_{s1} = 94.3 \text{ nH}$ $L_{s2} = 82 \text{ nH}$

(Minimum inductor Q = 40)

Notes

- Recommend use of 2% tolerance components.
- Optimum values depend on board layout. Values intended as guide only.

ISO 9001
Registered