

396 OUTPUT TFT-LCD SOURCE DRIVER WITH RAM

DESCRIPTION

The μ PD161622 is a TFT-LCD source driver that includes display RAM.

This driver has 396 outputs, a display RAM capacity of 371,712 bits (132 pixels x 16 bits x 176 lines) and, can provide a 65,536-color display.

FEATURES

- TFT-LCD driver with on-chip display RAM
- Logic power supply voltage: 2.5 to 3.6 V
- Driver power supply voltage: 4.3 to 5.5 V
- Display RAM: 132 x 16 x 176 bits
- Driver outputs: 396 output
- CPU interface: Serial, 8-bit/16-bit parallel interface selectable
- Colors: 65,536 colors/pixel
- On-chip VCOM generator
- On-chip timing generator
- On-chip oscillator

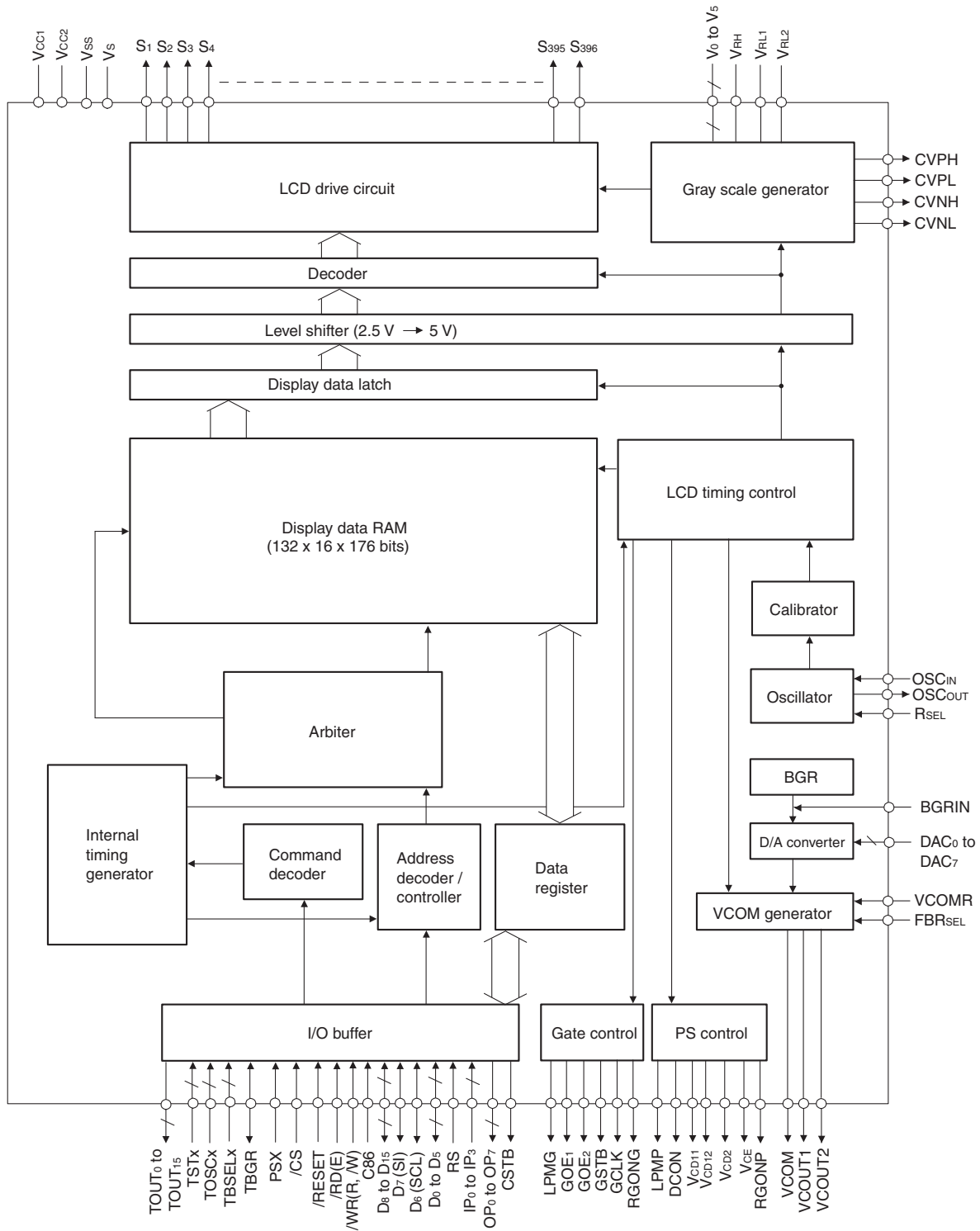
ORDERING INFORMATION

Part Number	Package
μ PD161622P	Chip

Remark Purchasing the above chip entails the exchange of documents such as a separate memorandum or product quality, so please contact one of our sales representatives.

The information in this document is subject to change without notice. Before using this document, please confirm that this is the latest version.
Not all products and/or types are available in every country. Please check with an NEC Electronics sales representative for availability and additional information.

1. BLOCK DIAGRAM



Remark /xxx indicates active low signal.

2. PIN CONFIGURATION (Pad Layout)

Chip size: 3.60 x 17.80 mm² TYP.

Bump size (output type A): 35 x 94 μm² TYP.

Bump size (input & dummy): 80 x 86 μm² TYP.

Alignment mark (mark center, unit: μm)

	X	Y
M1	-1615	8715
M2	-1615	-8715
M3	1435	-8715

Alignment mark reference (unit: μm)

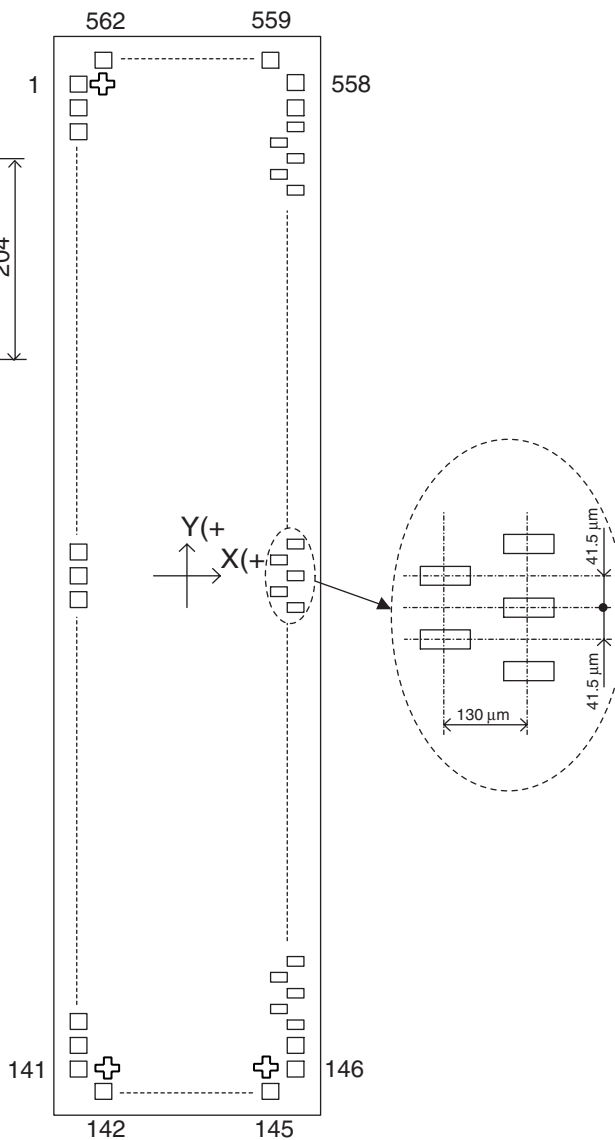
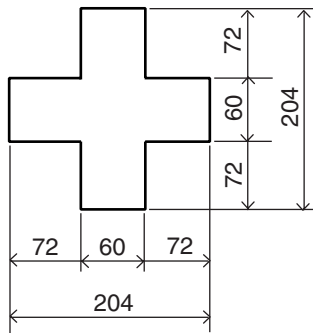


Table 2-1. Pad Layout (1/4)

PinNo.	PinName	PadType	X ₁ (μm)	Y ₁ (μm)	PinNo.	PinName	PadType	X ₁ (μm)	Y ₁ (μm)	PinNo.	PinName	PadType	X ₁ (μm)	Y ₁ (μm)
1	DUMMY	B	-1674.00	880.00	61	VCE	B	-1674.00	1190.00	121	OP5	B	-1674.00	-610.00
2	DUMMY	B	-1674.00	820.00	62	VCC2	B	-1674.00	1070.00	122	OP6	B	-1674.00	-610.00
3	DUMMY	B	-1674.00	810.00	63	VCC12	B	-1674.00	950.00	123	OP7	B	-1674.00	-620.00
4	TOU15	B	-1674.00	800.00	64	VCC11	B	-1674.00	830.00	124	VCC(MOD)	B	-1674.00	-630.00
5	TOU14	B	-1674.00	790.00	65	LRMP	B	-1674.00	710.00	125	FO	B	-1674.00	-640.00
6	TOU13	B	-1674.00	780.00	66	FGONP	B	-1674.00	590.00	126	VSS(MODE)	B	-1674.00	-650.00
7	TOU12	B	-1674.00	760.00	67	DEON	B	-1674.00	470.00	127	P1	B	-1674.00	-670.00
8	TOU11	B	-1674.00	750.00	68	VCC12	B	-1674.00	350.00	128	VCC(MOD)	B	-1674.00	-680.00
9	TOU10	B	-1674.00	740.00	69	VSS	B	-1674.00	230.00	129	P2	B	-1674.00	-690.00
10	TOU9	B	-1674.00	730.00	70	VCC2	B	-1674.00	110.00	130	VSS(MODE)	B	-1674.00	-700.00
11	TOU8	B	-1674.00	710.00	71	VCC1	B	-1674.00	-10.00	131	P3	B	-1674.00	-720.00
12	TOU7	B	-1674.00	700.00	72	VSS	B	-1674.00	-130.00	132	VCC(MOD)	B	-1674.00	-730.00
13	TOU6	B	-1674.00	680.00	73	VSS	B	-1674.00	-250.00	133	CS1B	B	-1674.00	-740.00
14	TOU5	B	-1674.00	660.00	74	CANL	B	-1674.00	-370.00	134	CLK	B	-1674.00	-750.00
15	TOU4	B	-1674.00	670.00	75	CANH	B	-1674.00	-490.00	135	CE1	B	-1674.00	-760.00
16	TOU3	B	-1674.00	650.00	76	CAPL	B	-1674.00	-610.00	136	CE2	B	-1674.00	-780.00
17	TOU2	B	-1674.00	640.00	77	CAPH	B	-1674.00	-730.00	137	FGONG	B	-1674.00	-790.00
18	TOU1	B	-1674.00	630.00	78	VS	B	-1674.00	-850.00	138	LRVG	B	-1674.00	-800.00
19	TOU0	B	-1674.00	620.00	79	VS	B	-1674.00	-970.00	139	DUMMY	B	-1674.00	-810.00
20	VSS(MODE)	B	-1674.00	610.00	80	VSS	B	-1674.00	-1090.00	140	DUMMY	B	-1674.00	-820.00
21	ISMHL	B	-1674.00	590.00	81	VCC11	B	-1674.00	-1210.00	141	DUMMY	B	-1674.00	-840.00
22	ISIRIS1	B	-1674.00	580.00	82	VCC11	B	-1674.00	-1330.00	142	DUMMY	B	-1674.00	-874.00
23	TOCSSEL0	B	-1674.00	570.00	83	VCC1	B	-1674.00	-1450.00	143	DUMMY	B	-510.00	-874.00
24	TOCSSEL1	B	-1674.00	560.00	84	VCC1	B	-1674.00	-1570.00	144	DUMMY	B	330.00	-874.00
25	TOC0	B	-1674.00	550.00	85	VCOM	B	-1674.00	-1690.00	145	DUMMY	B	170.00	-874.00
26	TOC00	B	-1674.00	530.00	86	DUMMY	B	-1674.00	-1810.00	146	DUMMY	B	1670.00	-880.00
27	VCC(MOD)	B	-1674.00	520.00	87	DUMMY	B	-1674.00	-1930.00	147	DUMMY	A	1670.00	-890.00
28	RSEL	B	-1674.00	510.00	88	VSS(MODE)	B	-1674.00	-2050.00	148	DUMMY	A	1540.00	-847.50
29	VSS(MODE)	B	-1674.00	500.00	89	VCOMR	B	-1674.00	-2170.00	149	S36	A	1670.00	-847.00
30	OSCOUT	B	-1674.00	490.00	90	BGRN	B	-1674.00	-2290.00	150	S35	A	1540.00	-836.50
31	VSS(MODE)	B	-1674.00	470.00	91	VCC(MOD)	B	-1674.00	-2410.00	151	S34	A	1670.00	-854.00
32	OSON	B	-1674.00	460.00	92	FBSEL	B	-1674.00	-2530.00	152	S33	A	1540.00	-831.25
33	VSS(MODE)	B	-1674.00	450.00	93	VSS(MODE)	B	-1674.00	-2650.00	153	S32	A	1670.00	-8271.00
34	CS1B	B	-1674.00	440.00	94	VRH	B	-1674.00	-2770.00	154	S31	A	1540.00	-8229.50
35	D15	B	-1674.00	430.00	95	V0	B	-1674.00	-2890.00	155	S30	A	1670.00	-8188.00
36	D14	B	-1674.00	410.00	96	V1	B	-1674.00	-3010.00	156	S39	A	1540.00	-8146.50
37	D13	B	-1674.00	400.00	97	V2	B	-1674.00	-3130.00	157	S38	A	1670.00	-8105.00
38	D12	B	-1674.00	390.00	98	V3	B	-1674.00	-3250.00	158	S37	A	1540.00	-8063.50
39	D11	B	-1674.00	380.00	99	V4	B	-1674.00	-3370.00	159	S36	A	1670.00	-8022.00
40	D10	B	-1674.00	370.00	100	V5	B	-1674.00	-3490.00	160	S35	A	1540.00	-7980.50
41	D9	B	-1674.00	360.00	101	VRL1	B	-1674.00	-3610.00	161	S34	A	1670.00	-7939.00
42	D8	B	-1674.00	3470.00	102	VRL2	B	-1674.00	-3730.00	162	S33	A	1540.00	-7897.50
43	D7(S)	B	-1674.00	350.00	103	VSS(MODE)	B	-1674.00	-3850.00	163	S32	A	1670.00	-7856.00
44	D6(SCL)	B	-1674.00	320.00	104	TESSEL1	B	-1674.00	-3970.00	164	S31	A	1540.00	-7814.50
45	D5	B	-1674.00	310.00	105	TESSEL2	B	-1674.00	-4090.00	165	S30	A	1670.00	-7773.00
46	D4	B	-1674.00	290.00	106	TGR	B	-1674.00	-4210.00	166	S39	A	1540.00	-7731.50
47	D3	B	-1674.00	280.00	107	DAC7	B	-1674.00	-4330.00	167	S38	A	1670.00	-7690.00
48	D2	B	-1674.00	270.00	108	DAC6	B	-1674.00	-4450.00	168	S37	A	1540.00	-7648.50
49	D1	B	-1674.00	260.00	109	DAC5	B	-1674.00	-4570.00	169	S36	A	1670.00	-7607.00
50	D0	B	-1674.00	250.00	110	DAC4	B	-1674.00	-4690.00	170	S35	A	1540.00	-7565.50
51	VSS(MODE)	B	-1674.00	230.00	111	DAC3	B	-1674.00	-4810.00	171	S34	A	1670.00	-7524.00
52	/CS	B	-1674.00	220.00	112	DAC2	B	-1674.00	-4930.00	172	S33	A	1540.00	-7482.50
53	/RSEL	B	-1674.00	210.00	113	DAC1	B	-1674.00	-5050.00	173	S32	A	1670.00	-7441.00
54	FS	B	-1674.00	200.00	114	DAC0	B	-1674.00	-5170.00	174	S31	A	1540.00	-7399.50
55	/WRPW	B	-1674.00	190.00	115	VSS(MODE)	B	-1674.00	-5290.00	175	S30	A	1670.00	-7358.00
56	FOE	B	-1674.00	180.00	116	OP0	B	-1674.00	-5410.00	176	S39	A	1540.00	-7316.50
57	VCC2	B	-1674.00	1670.00	117	OP1	B	-1674.00	-5530.00	177	S38	A	1670.00	-7275.00
58	FBX	B	-1674.00	1550.00	118	OP2	B	-1674.00	-5650.00	178	S37	A	1540.00	-7233.50
59	CB6	B	-1674.00	1430.00	119	OP3	B	-1674.00	-5770.00	179	S36	A	1670.00	-7192.00
60	VSS(MODE)	B	-1674.00	1310.00	120	OP4	B	-1674.00	-5890.00	180	S35	A	1540.00	-7150.50

Table 2-1. Pad Layout (4/4)

Pin No.	Pin Name	Pad Type	X[μm]	Y[μm]
541	S16	A	1670.00	7831.00
542	S15	A	1640.00	7872.50
543	S14	A	1670.00	7914.00
544	S13	A	1640.00	7955.50
545	S12	A	1670.00	7997.00
546	S11	A	1640.00	8038.50
547	S10	A	1670.00	8080.00
548	S9	A	1640.00	8121.50
549	S8	A	1670.00	8163.00
550	S7	A	1640.00	8204.50
551	S6	A	1670.00	8246.00
552	S5	A	1640.00	8287.50
553	S4	A	1670.00	8329.00
554	S3	A	1640.00	8370.50
555	S2	A	1670.00	8412.00
556	S1	A	1640.00	8453.50
557	DUMMY	A	1670.00	8495.00
558	DUMMY	B	1670.00	8536.50
559	DUMMY	B	1220.00	8774.00
560	DUMMY	B	330.00	8774.00
561	DUMMY	B	-400.00	8774.00
562	DUMMY	B	-1330.00	8774.00

3. PIN FUNCTIONS

3.1 Power Supply System Pins

Symbol	Pin Name	Pad No.	I/O	Function
V _{CC1}	Logic power supply	71, 83, 84	–	Power supply pin for logic circuit
V _{CC2}	I/O power supply	57, 70	–	Power supply pin for I/O buffer
V _S	Driver power supply	78, 79	–	Power supply pin for driver circuit
V _{SS}	Ground	69, 72, 72, 80	–	Ground pin for logic and driver circuits
V ₀ to V ₅ V _{RH} V _{RL1} , V _{RL2}	Power supply for γ-curve correction	95 to 100, 94, 101, 102	–	The μ PD161622 includes power supplies and resistors for the γ-curve, so if the characteristics of the γ-curve and LCD panel in the μ PD161622 match, leave V ₀ to V ₅ , V _{RH} , V _{RL1} , V _{RL2} open. If some kind of correction is required, adjust the γ-curve by connecting resistors between the V ₀ to V ₅ , V _{RH} , V _{RL1} , V _{RL2} pins (see 5.9 γ-Curve Correction Power Supply Circuit for Cases of Unbalanced Driving).
V _{CC1(MODE)}	Mode setting pull-up power-supply	27, 91, 124, 128, 132	–	Pull-up power-supply pin for mode setting
V _{SS(MODE)}	Mode setting pull-down power-supply	20, 29, 31, 33, 51, 60, 88, 93, 103, 115, 126, 130	–	Pull-down power-supply pin for mode setting

3.2 Logic System Pins

(1/2)

Symbol	Pin Name	Pad No.	I/O	Function
PSX	CPU interface selection	58	Input	These pins are used to select the CPU interface mode. PSX = H: Parallel interface PSX = L: Serial interface When the parallel interface is selected, this data bus width can be changed between 8 bits and 16 bits by using BMD of index register 5 (R5).
/CS	Chip select	52	Input	This pin is used for chip select signals. When /CS = L, the chip is active and can perform data input/output operations including command and data I/O.
/RESET	Reset	53	Input	When /RESET is low, an internal reset is performed. The reset operation is executed at the /RESET signal level. Be sure to perform reset via this pin at power application.
/RD (E)	Read (enable)	56	Input	When i80 series parallel data transfer (/RD) has been selected, the signal at this pin is used to enable read operations. Data is output to the data bus only when this pin is low. When M68 series parallel data transfer (E) has been selected, the signal at this pin is used to enable read/write operations.
/WR (R, /W)	Write (read/write)	55	Input	When i80 series parallel data transfer (/WR) has been selected, the signal at this pin is used to enable write operations. Data is written at the rising edge of this signal. When M68 series parallel data transfer (R, /W) and serial data has been selected, this pin is used to determine the direction of data transfer. L: Write H: Read
C86	Select interface	59	Input	This pin is used to switch between interface modes (i80 series CPU or M68 series CPU). L: Selects i80 series CPU mode H: Selects M68 series CPU mode

Symbol	Pin Name	Pad No.	I/O	Function
D ₀ to D ₅ , D ₈ to D ₁₅ , D ₆ (SCL), D ₇ (SI)	Data bus (serial clock) (serial data input)	50 to 35	I/O	These pins comprise 16-bit bi-directional data. When the serial interface has been selected (PSX = L), D ₇ functions as a serial data input pin (SI), D ₆ functions as a serial clock input pin (SCL). In either case, pins D ₀ to D ₇ and D ₈ to D ₁₅ are in high impedance mode. When the chip is not selected, D ₀ to D ₁₅ are in high impedance mode.
RS	Index register/ data/command selection	54	Input	When parallel data transfer has been selected, this pin is usually connected to the least significant bit of the standard CPU address bus and is used to distinguish between data from index registers and data/commands. RS = H: Indicates that data from D ₀ to D ₁₅ is data/command RS = L: Indicates that data from D ₀ to D ₇ is index register contents Also, when serial data transfer is selected, the level of the RS pin is fetched at the rising edge of the eighth clock of the serial clock and whether the data is index register contents or data/command is distinguished. RS = H: Indicates that the data input to SI is data/command. RS = L: Indicates that the data input to SI is index register contents.
IP ₀ to IP ₃	Input port	125, 127, 129, 131	Input	This is a general-purpose input port. The status of these pins (H or L) can be read via a command. Because this is a CMOS input, do not leave open.
OP ₀ to OP ₇	Output port	116 to 123	Output	This is a general-purpose output port. The status of these pins (H or L) can be write via a command. Leave open when in unused.
R _{SEL}	Oscillation signal select	28	Input	This pin is for oscillation signal selection. When in used external resistance connection oscillator circuit, this pin set H. When in used internal oscillator circuit, this pin set L. R _{SEL} = H: External resistance connection oscillator circuit select R _{SEL} = L: CR internal oscillator circuit select
OSC _{IN}	Oscillation signal	32	Input	This pin is for oscillation signal input. R _{SEL} = H: Connect 51 kΩ resistance between OSC _{IN} and OSC _{OUT} . R _{SEL} = L: Leave open
OSC _{OUT}	Oscillation signal	30	Output	This pin is for oscillation signal input. R _{SEL} = H: Connect 51 kΩ resistance between OSC _{IN} and OSC _{OUT} . R _{SEL} = L: Leave open
CSTB	GSTB logic signal	34	Output	This pin outputs STB signal for gate driver leveled by interface power supply voltage (V _{CC2}). This output signal is reverse signal of GSTB.

3.3 Gate Driver IC Control Pins

Symbol	Pin Name	Pad No.	I/O	Function
LPMG	Low power mode signal	138	Output	This is an output pin for low power mode (for the gate driver). Connect to the LPM pin of the gate driver.
GOE ₁	OE ₁ output for gate driver	135	Output	This pin is an output pin for the low power mode (for the OE ₁). Connect to the OE ₁ pin of the gate driver. Timing signal for output, refer to 5.4 Display timing generator .
GOE ₂	OE ₂ output for gate driver	136	Output	This pin is the OE ₂ output for the gate driver. Connect to the OE ₂ pin of the gate driver. Timing signal for output, refer to 5.4 Display timing generator .
GSTB	STB output for gate driver	133	Output	This pin is the STB output for the gate driver. Connect to the STVR or STVL pin of the gate driver. Timing signal for output, refer to 5.4 Display timing generator .
GCLK	CLK output for gate driver	134	Output	This pin is the CLK output for the gate driver. Connect to the CLK pin of the gate driver.
RGONG	Regulator control	137	Output	Regulator ON/OFF control of gate driver IC Connect to the RGONG pin of the gate driver.

3.4 Power Supply Control Pins

Symbol	Pin Name	Pad No.	I/O	Function
LPMP	Low power mode signal	65	Output	Low power mode control signal output pin (for power-supply IC). This pin connects to LPM pin of power-supply IC.
DCON	DC/DC converter control	67	Output	DC/DC converter ON/OFF signal pin for power-supply IC. This pin connects DCON pin of power-supply IC.
RGONP	Regulator control	66	Output	Regulator ON/OFF control signal pin for power-supply IC. This pin connects to RGONP pin of power-supply IC.
V _{CD11} , V _{CD12}	V _{DD1} booster selection	64, 63	Output	Control signal to select x4/x5/x6/x7 booster of power-supply IC for V _{CC1} . Connect to the V _{CD11} and V _{CD12} pins of the power-supply IC.
V _{CD2}	V _{DD2} booster selection	62	Output	Control signal to select x2/x3 booster of power-supply IC for V _{CC2} . Connect to the V _{CD2} pin of the power-supply IC.
V _{CE}	V _O level selection	61	Output	Signal for selecting the level of the power-supply IC booster voltage, to be used for the maximum voltage of V _O . Selects that the booster voltage level is either the same level as V _{DD1} or a multiple of minus 1. Connect to the V _{CE} pin of the power-supply IC.

3.5 Driver-Related Pins

Symbol	Pin Name	Pad No.	I/O	Function
S ₁ to S ₃₉₆	Source output	556 to 365, 352 to 149	Output	Source output pins
VCOM	COM adjustment	85	Output	This pin is the common adjustment output.
VCOU1	Center rectangle signal output	81, 82	Output	This pin is the center rectangle signal output (V _{p-p}) for common modulation between 0 V to V _s .
VCOU2	Center rectangle signal output	68	Output	This pin is the center rectangle signal output (V _{p-p}) for common modulation between 0 V to V _{CC1} .
BGRIN	External-power-supply connect	90	Input	This is an external-power-supply connect pin for VCOM. This pin is valid when BGRS (power supply control register 1: R25) = 1. In this case, the reference voltage of the amplifier for setting the common waveform center value is input from outside the μPD161622 When BGRS = 0, power supply with built-in the μPD161622 is set up as a standard voltage for common waveform center value setup. In this case, leave it open. For more detail, refer to 5.5 Common Adjustment .
VCOMR	VCOM setting resistor connection	89	Input	Connects an external feedback resistor for VCOM setting. This pin is valid when FBR _{SEL} = L. In this case, connect a feedback resistor between the VCOM pin and GND. When FBR _{SEL} = H, the amplifier for setting the common waveform center value operates as a voltage follower. In this case, leave it open. For more detail, refer to 5.5 Common Adjustment .
FBR _{SEL}	VCOM setting external circuit select	92	Input	This pin is used to select the method of adjusting the amplifier for setting the common waveform center value used to set the COMMON drive waveform center level. FBR _{SEL} = H: Voltage follower circuit used (VCOMR connected to VCOM internally) FBR _{SEL} = L: External feedback resistor used
★ CVPH, CVPL, CVNH, CVNL	Basis power supply for γ-corrected power supplies	77, 76, 75, 74	–	This is operational amplifier output pin for the γ-corrected power supplies. Normally, this pin connects capacitor of 1 μF
DAC ₀ to DAC ₇	D/A converter value setting	114 to 107	Input	These pins set the reference voltage of the amplifier for setting the VCOM value used to set the COMMON drive waveform center level. These pins are valid when the VCOM output center value setting register (R29) = 00H and BGRS (R25: D ₆) = 0. This pin is pulled up to the inside IC, therefore, connect to only V _{SS} when in low level setting pin. For more details, refer to 5.5 Common Adjustment Circuit .

3.6 Test or Other Pins

Symbol	Pin Name	Pad No.	I/O	Function
TOUT ₀ to TOUT ₁₅ , TOSCO	Source output	19 to 4, 26	Output	This is output pin when μ PD161622 is in test mode. Normally, leave it open.
TSTRTST, TSTVIHL, TOSCI, TOSCSELI, TOSCSELO, TBSEL ₁ , TBSEL ₂	COM adjustment	22, 21, 25, 24, 23, 104, 105	Output	These pins are to set up test mode of μ PD161622. Normally, fixed it to V _{SS} .
TBGR	Test input/output	106	I/O	This is output pin when μ PD161622 is in test mode. Normally, leave it open.
DUMMY	Dummy pin	1 to 3, 86, 87, 139 to 148, 353 to 364, 557 to 562	–	Dummy pin The dummy pins of pads No. 1, 2, 557, and 558 are wired using aluminum inside the μ PD161622. The dummy pins of pads No. 140, 141, 146, and 147 are wired using aluminum inside the μ PD161622.

4. PIN I/O CIRCUITS AND RECOMMENDED CONNECTION OF UNUSED PINS

The I/O circuit types of each pin and recommended connection of unused pins are described below.

Pin Name	Input Type	I/O	Power supply	Recommended Connection of Unused Pins		Notes
				Parallel Interface	Serial Interface	
PSX	Schmitt trigger	Input	V _{CC2}	Mode setting pin		1
/RESET	Schmitt trigger	Input	V _{CC2}	Always reset on power application		–
/RD (E)	Schmitt trigger	Input	V _{CC2}	Connect to V _{CC2} (when i80 series interface)	Connect to V _{CC2} or V _{SS} .	–
★ C86	Schmitt trigger	Input	V _{CC2}	Mode setting pin	Connect to V _{CC2} or V _{SS} .	1
D ₀ to D ₅	Schmitt trigger	I/O	V _{CC2}	–	Leave open	–
D ₆ (SCL)	Schmitt trigger	I/O	V _{CC2}	–	–	–
D ₇ (SI)	Schmitt trigger	I/O	V _{CC2}	–	–	–
D ₈ to D ₁₅	Schmitt trigger	I/O	V _{CC2}	–	Leave open	–
RS	Schmitt trigger	Input	V _{CC2}	Register setting pin		2
IP ₀ to IP ₃	Schmitt trigger	Input	V _{CC1}	Connect to V _{CC1} or V _{SS} .		–
OP ₀ to OP ₇	–	Output	V _{CC1}	Leave open		–
OSC _{IN}	CMOS	Input	V _{CC2}	Input external clock (R _{SEL} = H) Leave open (R _{SEL} = L)		–
★ OSC _{OUT}	CMOS	Output	V _{CC2}	Leave open (R _{SEL} = H/L)		–
CSTB	–	Output	V _{CC2}	Leave open		–
R _{SEL}	Schmitt trigger	Input	V _{CC1}	Mode setting pin		3
LPMG	–	Output	V _{CC1}	Leave open		–
GOE ₁	–	Output	V _{CC1}	Always connect to the gate driver		–
GOE ₂	–	Output	V _{CC1}	Always connect to the gate driver		–
GSTB	–	Output	V _{CC1}	Always connect to the gate driver		–
GCLK	–	Output	V _{CC1}	Always connect to the gate driver		–
RGONG	–	Output	V _{CC1}	Always connect to the gate driver		–
LPMP	–	Output	V _{CC1}	Leave open		–
DCON	–	Output	V _{CC1}	Always connect to the power IC		–
RGONP	–	Output	V _{CC1}	Always connect to the power IC		–
V _{CD11} , V _{CD12}	–	Output	V _{CC1}	Always connect to the power IC		–
V _{CD2}	–	Output	V _{CC1}	Always connect to the power IC		–
V _{CE}	–	Output	V _{CC1}	Always connect to the power IC		–
V _{COU1}	–	Output	V _S	Leave open		–
V _{COU2}	–	Output	V _{CC1}	Leave open		–
BGRIN	–	Input	V _S	Leave open (BGRS = L [R25])		–
V _{COM}	–	Output	V _S	Leave open (FRB _{SEL} = H)		–
V _{COMR}	–	Input	V _S	Leave open (FRB _{SEL} = H)		–
TOUT ₀ to TOUT ₁₅	–	Output	V _{CC1}	Leave open		–
TOSCO	–	Output	V _{CC1}	Leave open		–
TSTRTST	–	Input	V _{CC1}	Connect to V _{SS} .		–
TSTVIHL	–	Input	V _{CC1}	Connect to V _{SS} .		–
TOSCI	–	Input	V _{CC1}	Connect to V _{SS} .		–
TOSCSELI	–	Input	V _{CC1}	Connect to V _{SS} .		–
TOSCSELO	–	Input	V _{CC1}	Connect to V _{SS} .		–
TBSEL1	–	Input	V _{CC1}	Connect to V _{SS} .		–
TBSEL2	–	Input	V _{CC1}	Connect to V _{SS} .		–
TBGR	–	I/O	V _{CC1}	Leave open		–

Notes 1. Connect to V_{CC2} or V_{SS}, depending on the mode selected.

2. Input either H or L by CPU, depending on the register selected

3. Connect to V_{CC1} or V_{SS}, depending on the mode selected.

5. DESCRIPTION OF FUNCTIONS

5.1 CPU Interface

5.1.1 Selection of interface type

The μPD161622 chip transfers data using a 16-bit bi-directional data bus (D₁₅ to D₀), 8-bit bi-directional data bus (D₇ to D₀) or a serial data input (SI). Setting the polarity of the PSX pin as either H or L enables the selections shown in table 5-1 below.

Table 5-1.

PSX	BMD	Mode	/CS	RS	/RD (E)	/WR (R,/W)	C86	D ₁₅ to D ₈	D ₇	D ₆	D ₅ to D ₀
H	0	16-bit parallel	/CS	RS	/RD (E)	/WR (R,/W)	C86	D ₁₅ to D ₈	D ₇	D ₆	D ₅ to D ₀
H	1	8-bit parallel	/CS	RS	/RD (E)	/WR (R,/W)	C86	Hi-Z ^{Note1}	D ₇	D ₆	D ₅ to D ₀
L	X ^{Note2}	Serial ^{Note3}	/CS	RS	Note2	Note2	Note2	Hi-Z ^{Note1}	SI	SCL	Hi-Z ^{Note1}

Notes 1. Hi-Z: High impedance

2. X: Don't care (1 or 0)

3. In serial mode, read function is not available.

5.1.2 Parallel interface

When the parallel interface has been selected (PSX = H), setting the C86 pin as either H or L enables a direct connection to an i80 series or M68 series CPU (see table 5-2 below).

Table 5-2.

C86	Mode	/RD (E)	/WR (R,/W)
H	M68 series CPU	E	R, /W
L	i80 series CPU	/RD	/WR

The data bus signal is identified according to the combination of the RS, /RD (E), and /WR (R, /W) signals, as shown in the following table 5-3.

Table 5-3.

Common	M68 series CPU	i80 series CPU		Function
RS	R, /W	/RD	/WR	
H	H	L	H	Read display data and registers
H	L	H	L	Write display data and registers
L	H	L	H	Prohibited
L	L	H	L	Write to control index register

Moreover, when using the parallel interface, it is possible to use the BMD flag (D₇ of the data access control register (R5) to select the length of the data to be transmitted as either 16 bits (BMD = 0) or 8 bits (BMD = 1). This setting is valid for the display data written as DR data to the display memory register (R12).

The relationship between the command input and the data bus length is as follows.

- Commands other than those of the display memory register (R12) are executed in 1-byte units regardless of the value of BMD (bus length setting flag in data access control register (R5)).
- Display memory register (R12) commands are executed in 1-byte units when BMD = 1, and in 1-word units when BMD = 0.

(1) Commands other than those of the display memory register (R12)

BMD = 1 (8-bit data bus)

Pin	D ₇	D ₆	D ₅	D ₄	D ₃	D ₂	D ₁	D ₀
Data	D ₇	D ₆	D ₅	D ₄	D ₃	D ₂	D ₁	D ₀

BMD = 0 (16-bit data bus)

Pin	D ₁₅	D ₁₄	D ₁₃	D ₁₂	D ₁₁	D ₁₀	D ₉	D ₈	D ₇	D ₆	D ₅	D ₄	D ₃	D ₂	D ₁	D ₀
Data	Note	Note	Note	Note	Note	Note	Note	Note	D ₇	D ₆	D ₅	D ₄	D ₃	D ₂	D ₁	D ₀

Note 0 or 1

(2) Display memory register (R12)

BMD = 1 (8-bit data bus)

Pin	D ₇	D ₆	D ₅	D ₄	D ₃	D ₂	D ₁	D ₀
Data	D ₇	D ₆	D ₅	D ₄	D ₃	D ₂	D ₁	D ₀

BMD = 0 (16-bit data bus)

Pin	D ₁₅	D ₁₄	D ₁₃	D ₁₂	D ₁₁	D ₁₀	D ₉	D ₈	D ₇	D ₆	D ₅	D ₄	D ₃	D ₂	D ₁	D ₀
Data	D ₁₅	D ₁₄	D ₁₃	D ₁₂	D ₁₁	D ₁₀	D ₉	D ₈	D ₇	D ₆	D ₅	D ₄	D ₃	D ₂	D ₁	D ₀

Relationship data bus and display RAM (16-bit parallel interface: BMD = 0)

Data bus side

16 bit															
DB ₁₅	DB ₁₄	DB ₁₃	DB ₁₂	DB ₁₁	DB ₁₀	DB ₉	DB ₈	DB ₇	DB ₆	DB ₅	DB ₄	DB ₃	DB ₂	DB ₁	DB ₀
D ₁₅	D ₁₄	D ₁₃	D ₁₂	D ₁₁	D ₁₀	D ₉	D ₈	D ₇	D ₆	D ₅	D ₄	D ₃	D ₂	D ₁	D ₀
Dot 1					Dot 2					Dot 3					
1 pixel (= 1X address)															

Display RAM side

Relationship data bus and display RAM (18-bit parallel interface: BMD = 1)

Data bus side

8 bit (1st byte)								8 bit (2nd byte)							
DB ₇	DB ₆	DB ₅	DB ₄	DB ₃	DB ₂	DB ₁	DB ₀	DB ₇	DB ₆	DB ₅	DB ₄	DB ₃	DB ₂	DB ₁	DB ₀
D ₁₅	D ₁₄	D ₁₃	D ₁₂	D ₁₁	D ₁₀	D ₉	D ₈	D ₇	D ₆	D ₅	D ₄	D ₃	D ₂	D ₁	D ₀
Dot 1					Dot 2					Dot 3					
1 pixel (= 1X address)															

Display RAM side

Figure 5-1. Example of 16-bit Data Access (i80 series interface, BMD = 0)

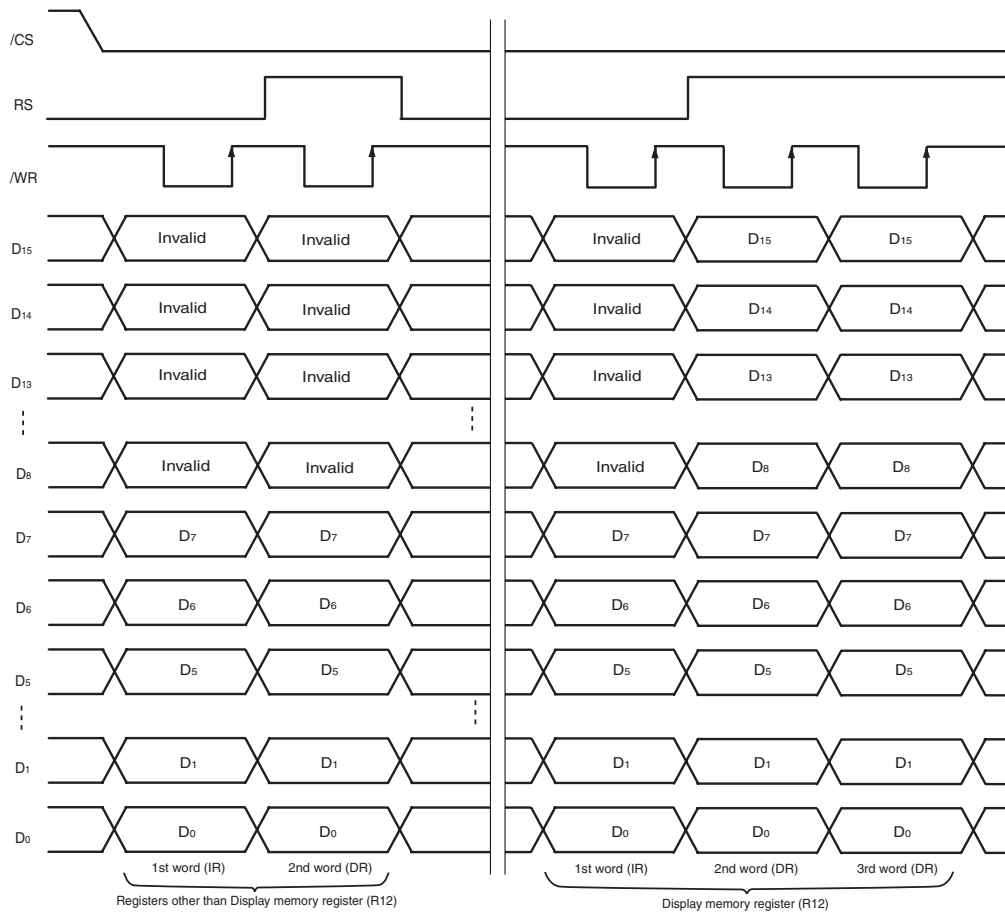
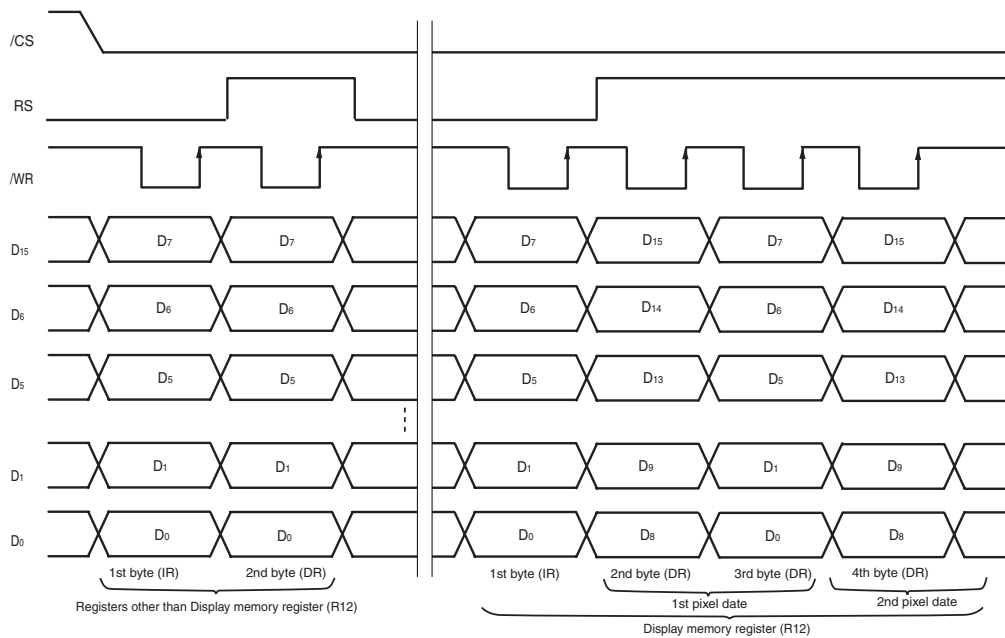


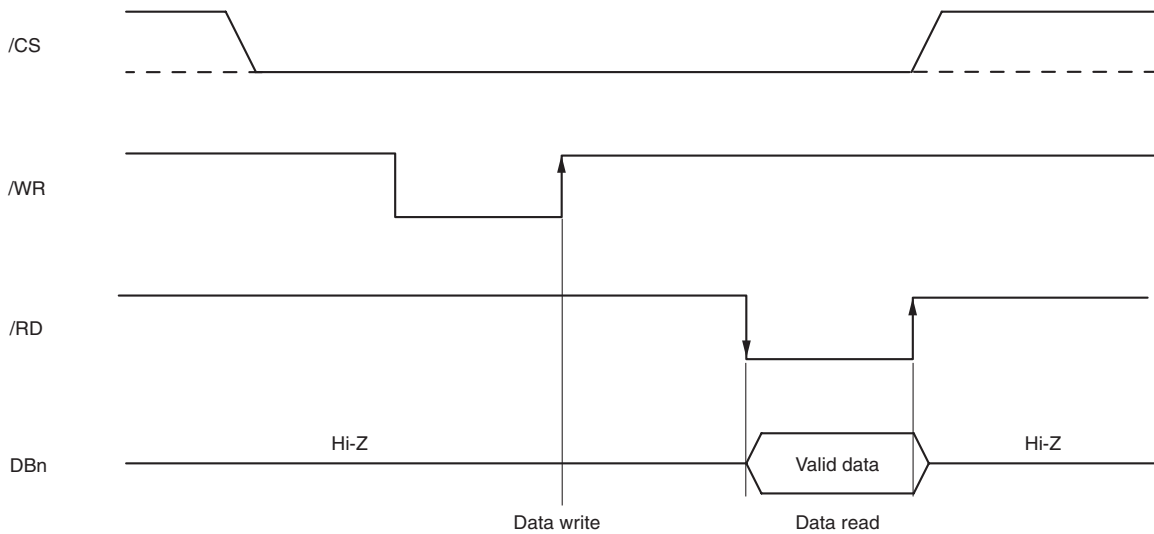
Figure 5-2. Example of 8-bit Data Access (i80 series interface, BMD = 1)



(1) i80 Series Parallel Interface

When i80 series parallel data transfer has been selected, data is written to the μ PD161622 at the rising edge of the /WR signal. The data is output to the data bus when the /RD signal is L.

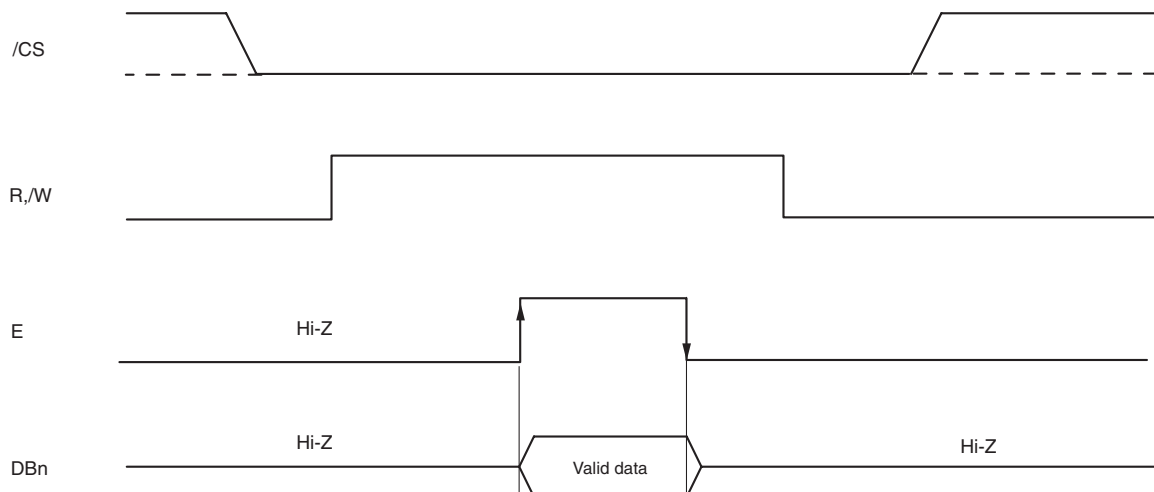
Figure 5-3. i80 Series Interface Data Bus Status



(2) M68 Series Parallel Interface

When M68 series parallel data transfer has been selected, data is written at the falling edge of the E signal when the R,/W signal is L. In a data read operation, data is output at the rising edge of the E signal in a period when the R,/W signal is H. The data bus is released (Hi-Z) at the falling edge of the E signal.

Figure 5-4. M68 Series Interface Data Bus Status (when data read)

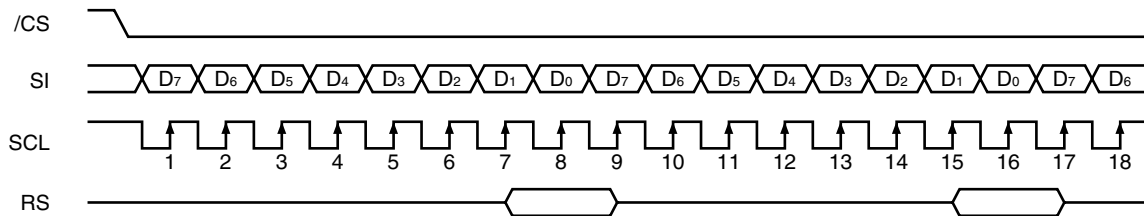


5.1.3 Serial interface

When the serial interface has been selected (PSX = L), if the chip is active (/CS = L), serial data input (SI) and serial clock input (SCL) can be received. Serial data is read from D₇ and then from D₆ to D₀ on the rising edge of the serial clock, via the serial input pin. This data is synchronized on the eighth serial clock's rising edge and is then converted to parallel data for processing.

RS input is used to judge serial input data as display data or command data when RS = H the data is display data and when RS = L the data is command data. When the chip enters active mode, RS input is read at the rising edge after every eighth serial clock and is then used to judge the serial input data. The serial interface signal chart is shown below.

Figure 5–5. Serial Interface Signal Chart



- Remarks 1.** If the chip is not active, the shift register and counter are reset to their initial settings.
- 2.** The data read function is disabled during serial interface mode.
 - 3.** When using SCL wiring, take care concerning the possible effects of terminating reflection and noise from external sources. Our recommends checking operation with the actual device.

5.1.4 Chip select

The μPD161622 has two chip select pins (/CS). The CPU parallel and serial interfaces can be used only when /CS = L. When the chip select pin is inactive, D₀ to D₁₅ are set to high impedance (invalid) and input of RS, /RD, or /WR is not active. If a serial interface mode has been set, the shift register and counter are both initialized.

5.1.5 Access to display data RAM and internal registers

When the CPU accessed the μPD161622, the CPU only has to satisfy the requirement of the cycle time (t_{cyc}) and can transfer data at high speeds. Usually, it is not necessary for the CPU to take wait time into consideration.

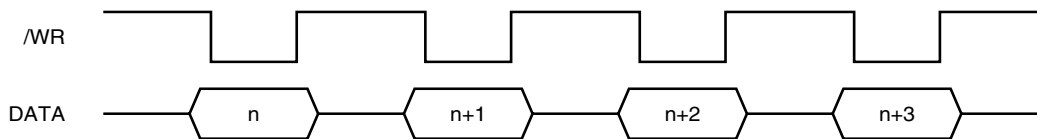
A high-speed RAM write function, as well as the ordinary RAM write function, is provided for writing data to the display data RAM. By using the high-speed write function, data can be written to the display RAM at an access speed four times faster than that of the ordinary RAM write function. Therefore, applications, such as motion picture display where the display data must be rewritten at high speeds, can be supported. For details, refer to **5.2.5 High-speed RAM write mode**

Dummy data is not required when either reading or writing data. In the μPD161622, data of the display memory register (R12) cannot be read. This relationship is shown in Figure 5-6.

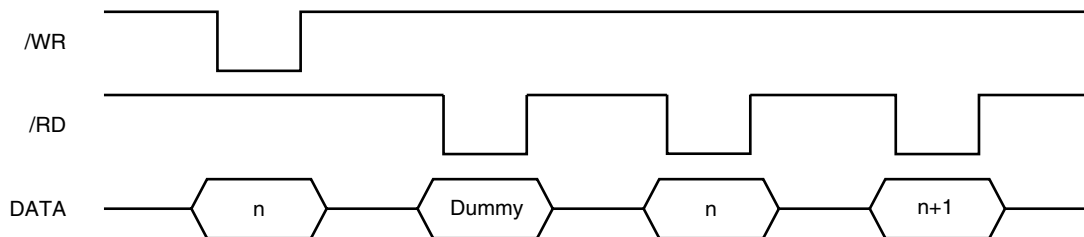
Note that when in write mode of data at high speed for data read mode of read cycle time, this mode equals to normal mode.

Figure 5-6. Image of internal access to display RAM

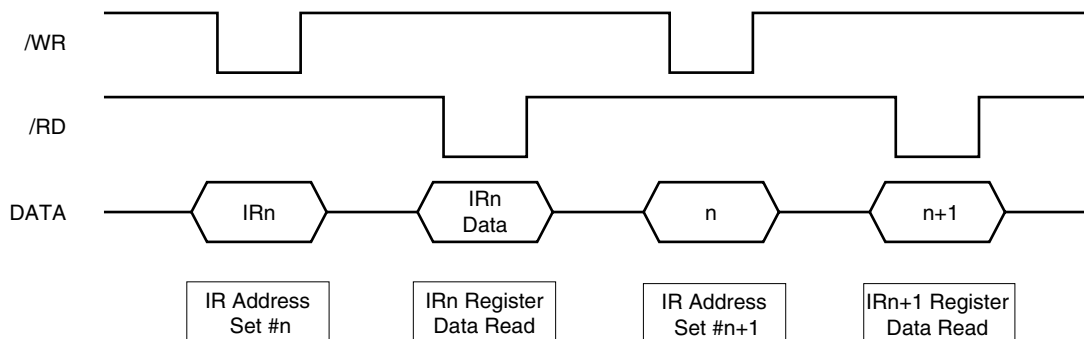
Writing



Reading (display memory register)



Reading (registers other than display memory register)



5.2 Display Data RAM

This RAM stores dot data for display and consists of 2,112 bits (132 x 16) x 176 bits. Any address of this RAM can be accessed by specifying an X address and an Y address.

Display data D₀ to D₁₅ transmitted from the CPU corresponds to the pixels on the LCD (refer to Table 5–5).

Table 5–5. Display Data RAM

D ₁₅	D ₁₄	D ₁₃	D ₁₂	D ₁₁	D ₁₀	D ₉	D ₈	D ₇	D ₆	D ₅	D ₄	D ₃	D ₂	D ₁	D ₀
Dot 1					Dot 2						Dot 3				
Pixel 1 (= 1 x address)															

5.2.1 X address circuit

An X address of the display data RAM is specified by using the X address register as shown in Figure 5–8. If the X address increment mode (INC = 0: data access control register: R5) is used, the specified X address is incremented or decremented by one each time display data is written. Whether the address is incremented or decremented is specified by the XDIR flag of data access control register (R5) as shown in Table 5–6.

In the increment mode, the X address is incremented up to 83H. If more display data is written, the Y address is incremented (YDIR = 0) or decremented (YDIR = 1), and the X address returns to 00H.

In the decrement mode, the X address is decremented to 00H. If more display data is written, the Y address is incremented (YDIR = 0) or decremented (YDIR = 1), and the X address returns to 83H.

5.2.2 Y address circuit

A Y address of the display data RAM is specified by using the Y address register as shown in Figure 5–8. If the Y address increment mode (INC = 1: data access control register: R5) is used, the specified Y address is incremented or decremented by one each time display is written. Whether the address is incremented or decremented is specified by the YDIR flag of data access control register (R5) as shown in Table 5–6.

In the increment mode, the Y address is incremented up to AFH. If more display data is written, the X address is incremented (XDIR = 0) or decremented (XDIR = 1), and the Y address returns to 00H.

In the decrement mode, the Y address is decremented to 00H. If more display data is written, the X address is incremented (XDIR = 0) or decremented (XDIR = 1), and the Y address returns to AFH.

The relationship between the setting of INC, XDIR, and YDIR of data access control register (R5) and the address is as follows:

Table 5–6. Data Access Control Register (R5) Setting

INC	Setting
0	The address is successively incremented or decremented in the X direction when data is accessed.
1	The address is successively incremented or decremented in the Y direction when data is accessed.

XDIR	Setting
0	Increments the X address (+1) when data is accessed.
1	Decrements the X address (–1) when data is accessed.

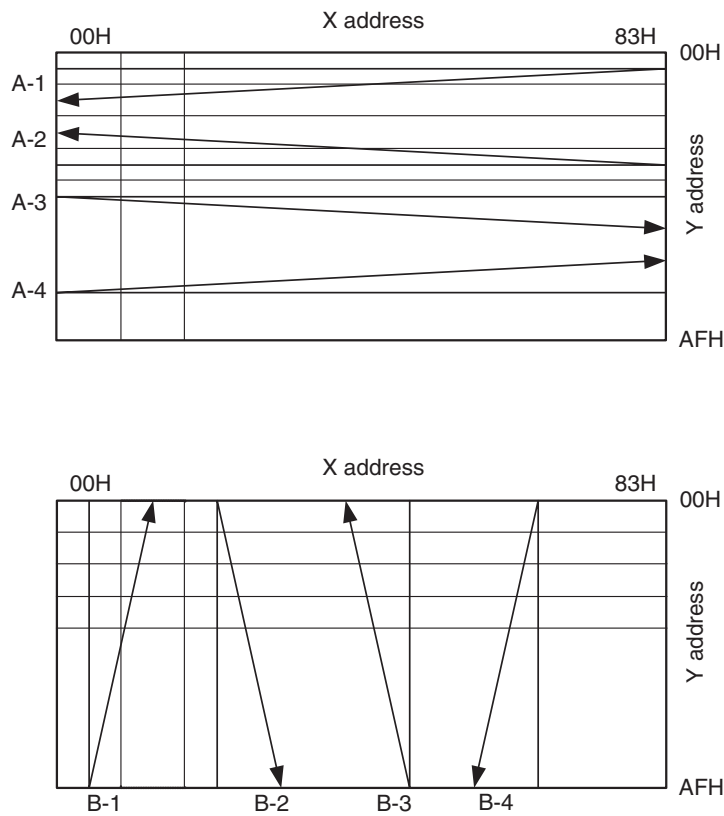
YDIR	Setting
0	Increments the Y address (+1) when data is accessed.
1	Decrements the Y address (–1) when data is accessed.

Table 5–7. Combination of INC, XDIR, and YDIR, and Address Direction

INC	XDIR	YDIR	Image of Address Scanning
0	0	0	A-1
	0	1	A-2
	1	0	A-3
	1	1	A-4
1	0	0	B-1
	0	1	B-2
	1	0	B-3
	1	1	B-4

Caution If the access direction is changed by using INC, XDIR, or YDIR, be sure to set the X address register (R6) and Y address register (R7) before accessing the display RAM.

Figure 5-7. Combination of INC, XDIR, and YDIR, and Address Scanning Image



5.2.3 Column address circuit

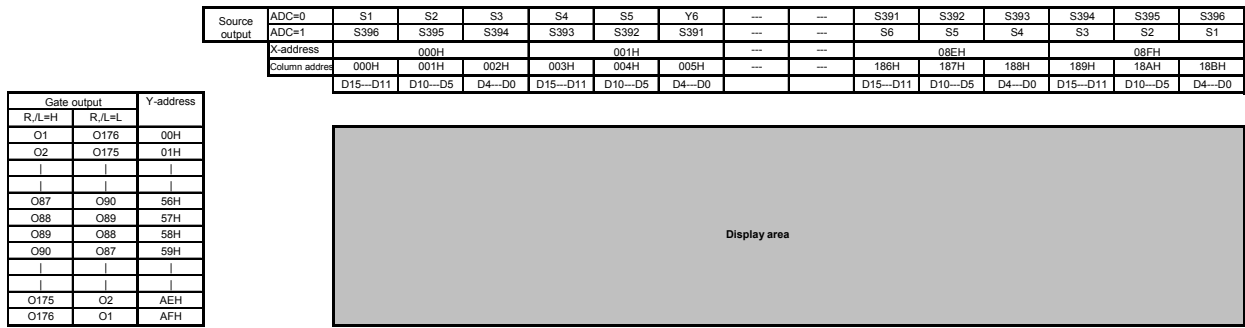
When the contents of the display data RAM are displayed, column addresses are output to the SEG output pins as shown in Figure 5-8.

The correspondence relationship between the column addresses of the display RAM and segment outputs can be reversed by the ADC flag (segment driver direction select flag) of control register 1 (R0) as shown in Table 5-8. This reduces the restrictions on chip layout when the LCD module is assembled.

Table 5-8. Relationship between Column Address of Display RAM and Segment Output

SEG Output		SEG ₁	SEG ₂	→		SEG ₃₈₅	SEG ₃₈₆	
ADC	0	000H	000H	→	Column address	→	18AH	18BH
	1	18BH	18AH	←	Column address	←	001H	000H

Figure 5-8. μPD161622 RAM Addressing



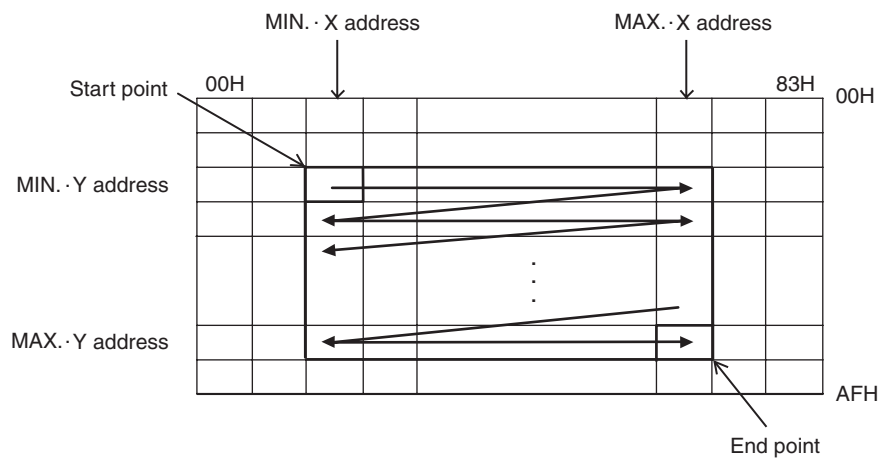
5.2.4 Arbitrary address area access (window access mode (WAS))

With the μPD161622, any area of the display RAM selected by the MIN.·X/Y address registers (R8 and R10) and MAX.·X/Y address registers (R9 and R11) can be accessed.

- ★ A setup of data access control (R5): WAS = 1 chooses window access mode. And μPD161622 accesses only the domain set up by MIN.·X/Y address registers and MAX.·X/Y address registers. The address scanning setting by INC, XDIR, and YDIR of data access control register (R5) is also valid in window access mode, in the same manner as when data is normally written to the display RAM. In addition, data can be written from any address by specifying the X address register (R6) and Y address register (R7).

Note that the display RAM must be accessed after setting the X address register (R6) and Y address register (R7) if the window access area has been set or changed by the MIN.·X/Y address register or MAX.·X/Y address register.

Figure 5–9. Example of Incrementing Address When INC = 0, XDIR = 0, and YDIR = 0

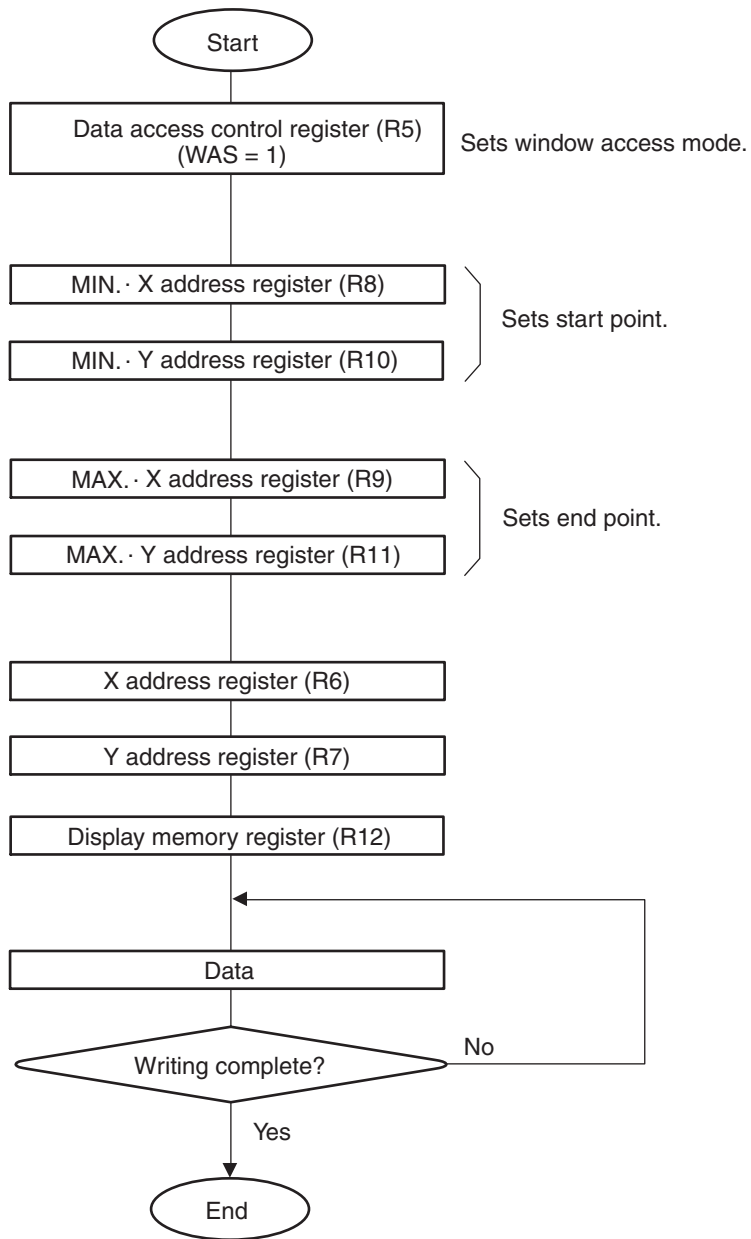


Cautions 1. When using the window access mode, the relationship between the start point and end point shown in the table below must be established.

Item	Address Relation Ship
X address	$00H \leq \text{MIN.} \cdot X \text{ address} \leq X \text{ address (R4)}$ $\text{MAX.} \cdot X \text{ address} \leq 83H$
Y address	$00H \leq \text{MIN.} \cdot Y \text{ address} \leq Y \text{ address (R5)}$ $\text{MAX.} \cdot Y \text{ address} \leq AFH$

2. If invalid address data is set as the MIN./MAX.-address, operation is not guaranteed.
3. Do not specify any value other than the address value $4n-n$ ($n = 1$ to 33) for the X address in the high-speed RAM access mode. The operation is not guaranteed if invalid address data is set.
4. Access the display RAM after setting the X address register (R6) and Y address register (R7) if the window access area has been set or changed by the MIN.·X/Y address register or MAX.·X/Y address register.

Figure 5-10. Example of Sequence in Window Access Mode



5.2.5 High-speed RAM write mode

With the μPD161622, two types of access modes can be selected for accessing the display RAM.

The μPD161622 has a high-speed RAM write function, as well as an ordinary RAM write function. By using the high-speed write function, data can be written to the display RAM at an access speed four times faster than that of the ordinary RAM write function. Therefore, applications, such as motion picture display where the display data must be rewritten at high speeds, can be supported.

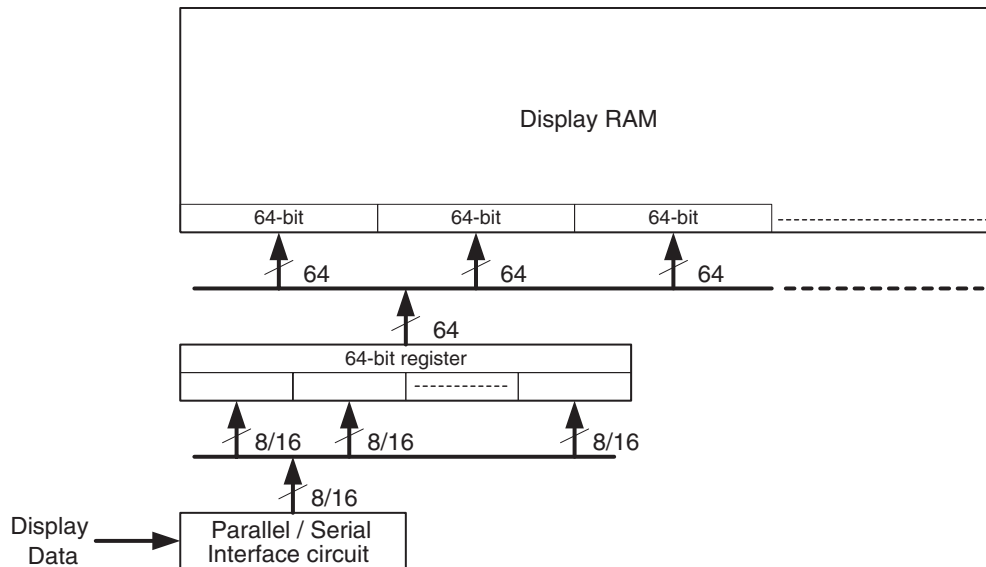
When the high-speed RAM write mode is selected by using BSTR of the data access control register (R5), data is temporarily stored in an internal register of the μPD161622.

When data of 64 bits (16 bits x 4) has been stored in the register, it is written to the display RAM. It is also possible to write the next data to the internal register while the first data is being written to the RAM.

In the high-speed RAM write mode, however, the CPU must transmit data in units of 64 bits (4 pixels) have been written to the internal register. If data of less than 64 bits is transmitted in the high-speed RAM write mode, this data is not written to the display RAM. Therefore, CPU data is not reflected on the LCD display even if it is transmitted. In this case, the data that is not reflected remains stored in the register. When the next data is transmitted, it is written to the register from where the preceding data is stored. However, if the chip select signal is asserted inactive (/CS = H) in the middle of data transfer, and then asserted active again and when the display data register (R12) is set, the register is initialized. Consequently, the data stored in the register is lost.

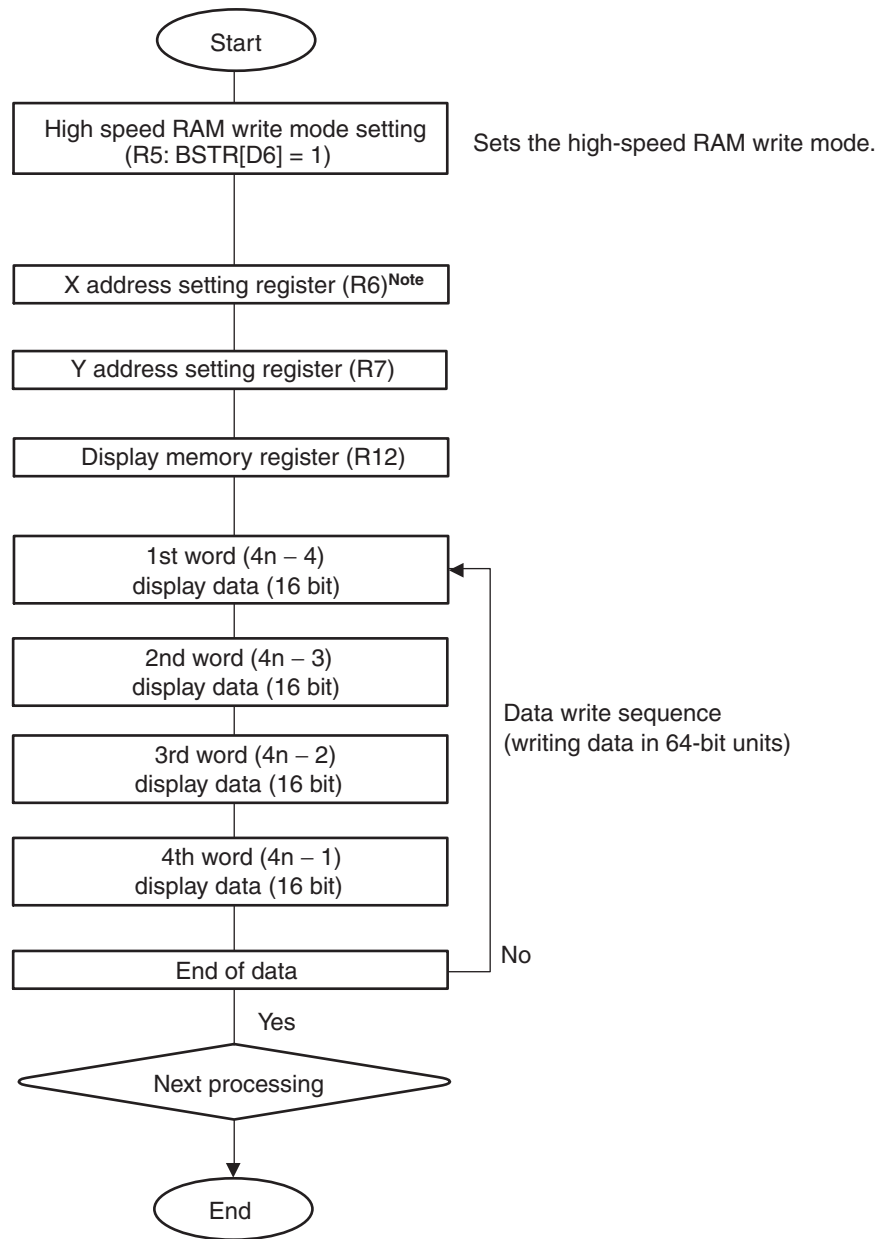
It is therefore recommended to transmit display data in 64-bit units when using the high-speed RAM write mode.

Figure 5–11. Image of Operation in High-speed Write Mode



Caution Do not specify any value other than the address value $4n-n$ ($n = 1$ to 33) for the X address (R6) in the high-speed RAM access mode. The operation is not guaranteed if invalid address data is set.

Figure 5–12. Example of Sequence in High-Speed RAM Write Mode (with 16-Bit Parallel Interface)



n: n ≥ 1

Note Do not specify any value other than the address value 4n–n (n = 1 to 33) for the X address (R6) in the high-speed RAM access mode. The operation is not guaranteed if invalid address data is set.

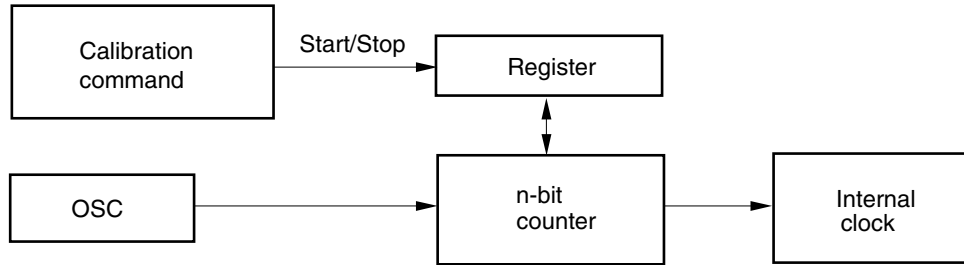
5.3 Oscillator

The μPD161622 has a CR oscillator (with external R), which generate the display clock. When RSEL is L, an internal CR oscillator is selected. Leave both OSC_{IN} pin and OSC_{OUT} open. When RSEL is H, an external oscillator is selected.

- ★ Connect 51 kΩ resistance between OSC_{IN} and OCS_{OUT} pin.

This oscillator also has a calibration function, which is available by itself to set the number of frame frequency of display driving. Frame frequency calibration is set by calibration register (R45). The time to select one line is set by the calibration start and stop commands.

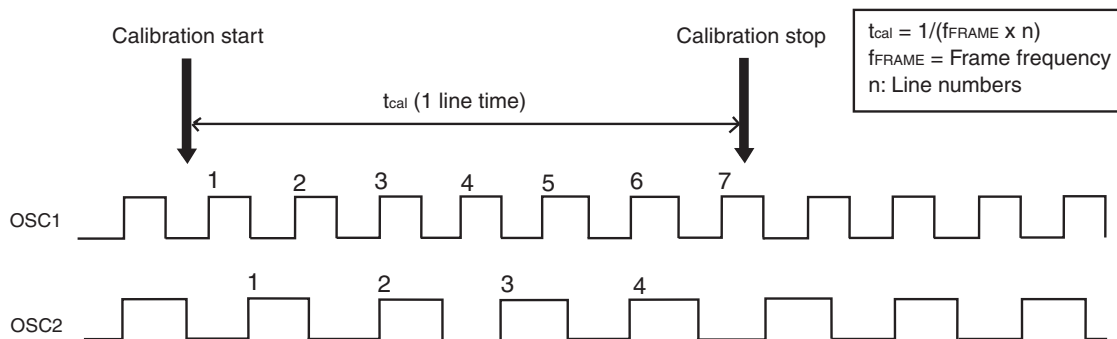
Figure 5–13. Frame Frequency Calibration



The calibration function involves counting the number of oscillation clocks generated between the start and stop signals and storing that number in a register. The number of oscillation clocks is then continually compared with this register value in subsequent operations, and the time of the clock number stored in the register is set as 1 line selection time, and used as the internal reference clock.

Using the time to set calibration (t_{cal}) can be selected either t_{cal} or $t_{cal} \times 2$ through control register (R1): LTS.

Figure 5–14. Calibration Function Timing (LTS [R1] = 0)



5.4 Display Timing Generator

5.4.1 Drive timing

The μ PD161622 generates the TFT-LCD drive timing inside the μ PD161622. The TFT-LCD panel is driven at the timing of one line selection period generated based on the calibration time (t_{cal}) set by the calibration function, as shown in the figure below. One line selection period is made up of a pre-charge period, a source output period, and the μ PD161622 output control clock. The pre-charge and source output periods are set by the pre-charge period setting register (R46) and calibration register (R45), respectively, based on the following expressions.

$$1 \text{ line selection period} = t_{cal}$$

$$\text{Pre-charge period} = t_{pr}$$

$$\text{Source output period} = t_{sout}$$

t_{cal} : Calibration setting time [R45]

$$t_{pr} = (1/f_{osc}) \times (\text{CLK}_{pr} + 2 \text{ CLK})$$

$$t_{sout} = t_{cal} - (t_{pr} + 3 \text{ CLK})$$

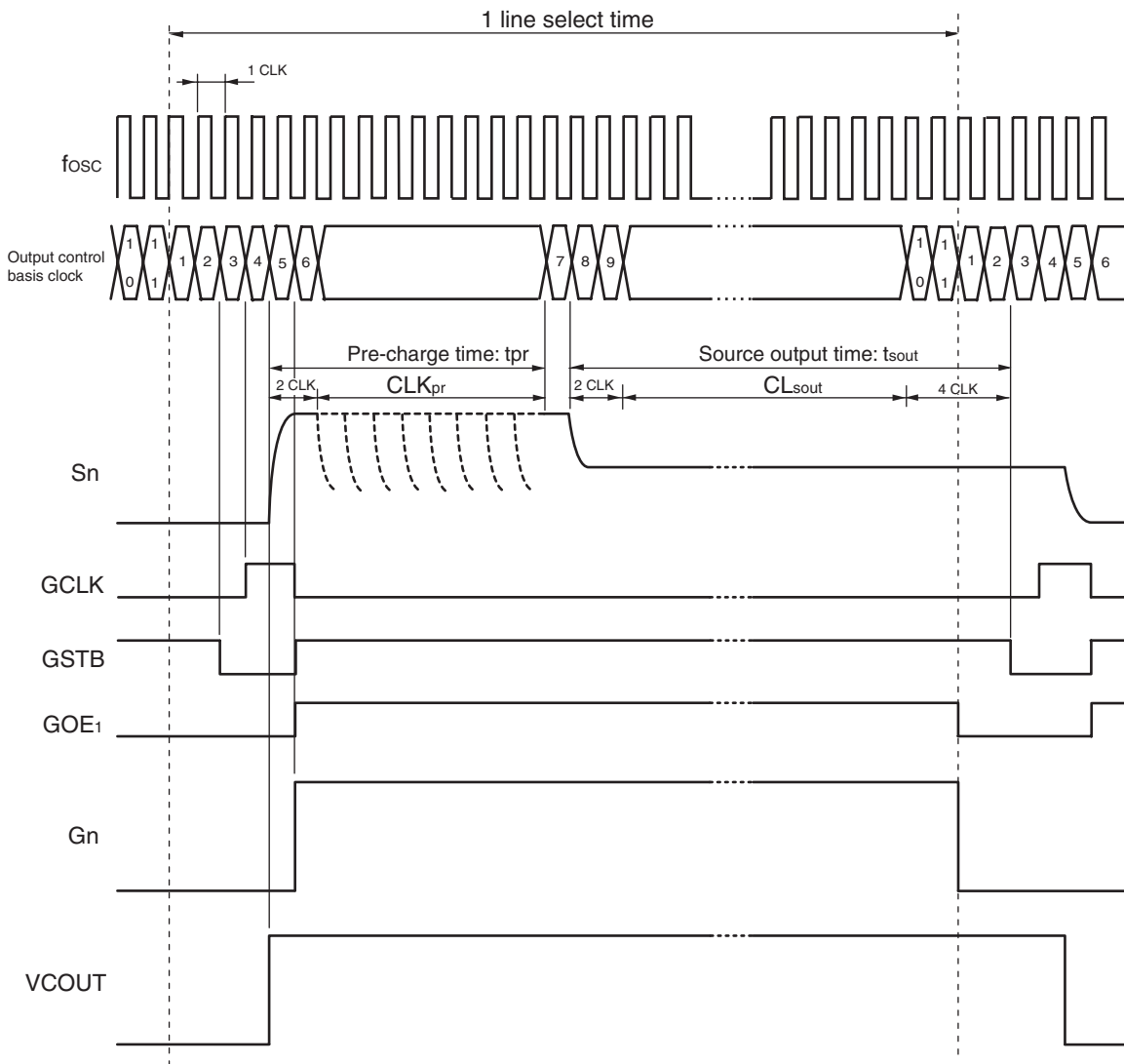
CLK_{cal} : Calibration setting time (t_{cal}) clock number = $t_{cal} \div (1/f_{osc})$

CLK_{pr} : Pre-charge period setting register clock number [R46: PLIMn] n

$$1 \text{ CLK} = 1/f_{osc}$$

f_{osc} : Oscillator frequency

Figure 5-15. 1-line Select Time



The display timing generator generates the timing signals for the internal timing of the source driver and for the gate driver. The output timings for normal operation, for normal operation → stand-by mode, and for stand-by mode → normal operation, are shown below.

Figure 5–16. During Normal Operation (during line inversion)

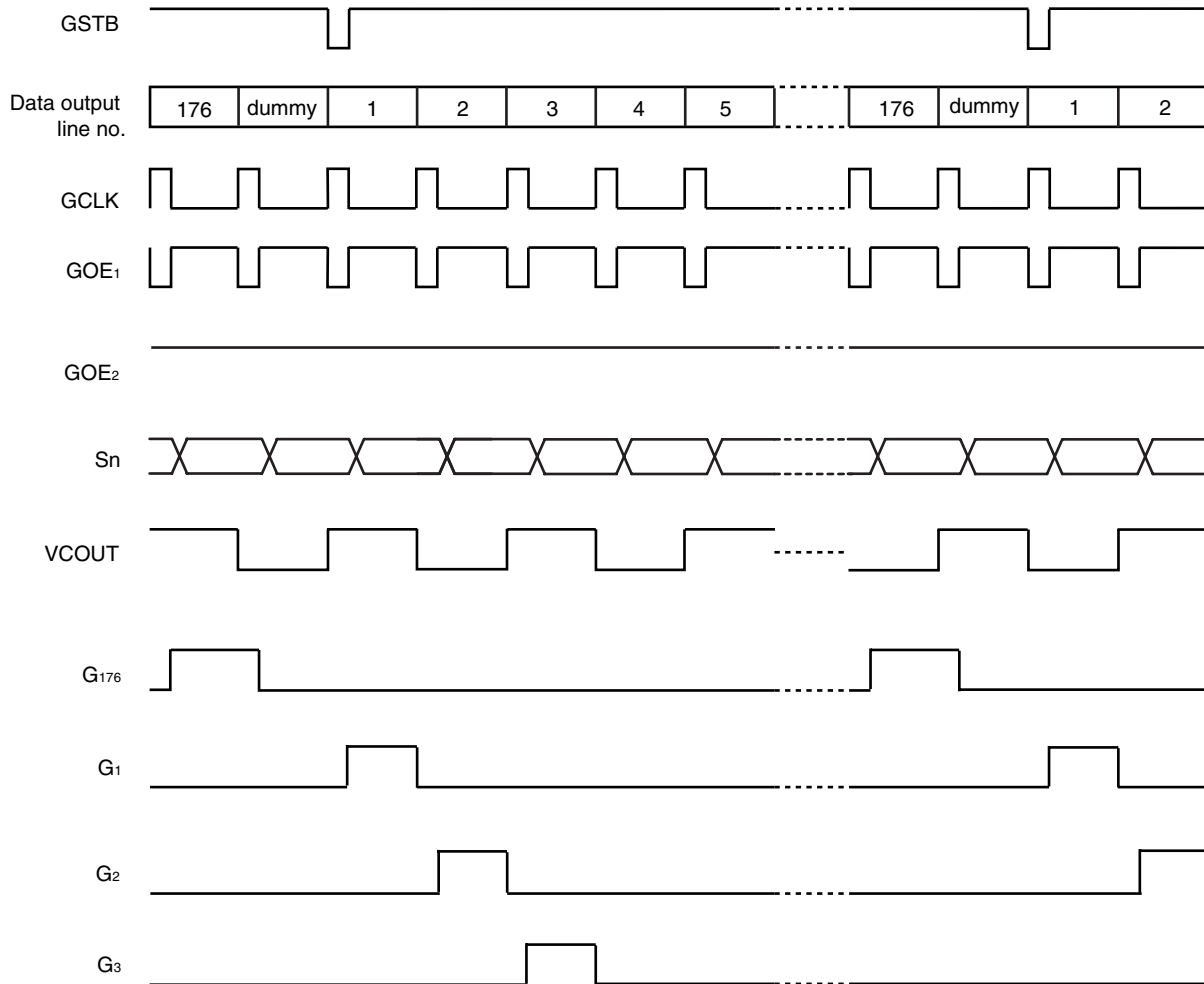


Figure 5-17. Normal Operation → Stand-by Input (during line inversion)

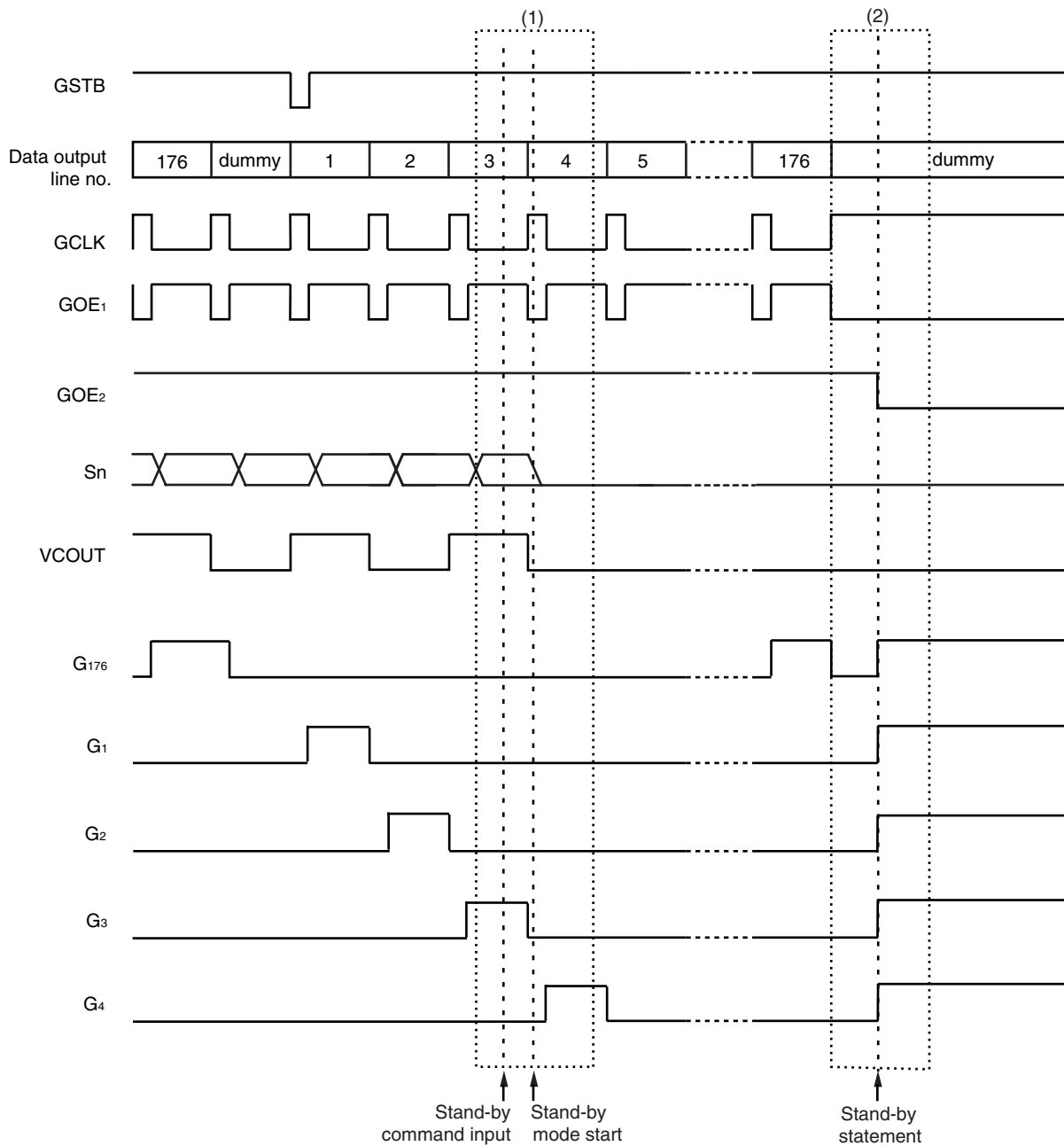


Figure 5-18. Normal Operation → Stand-by Input (during line inversion) (1) Reference

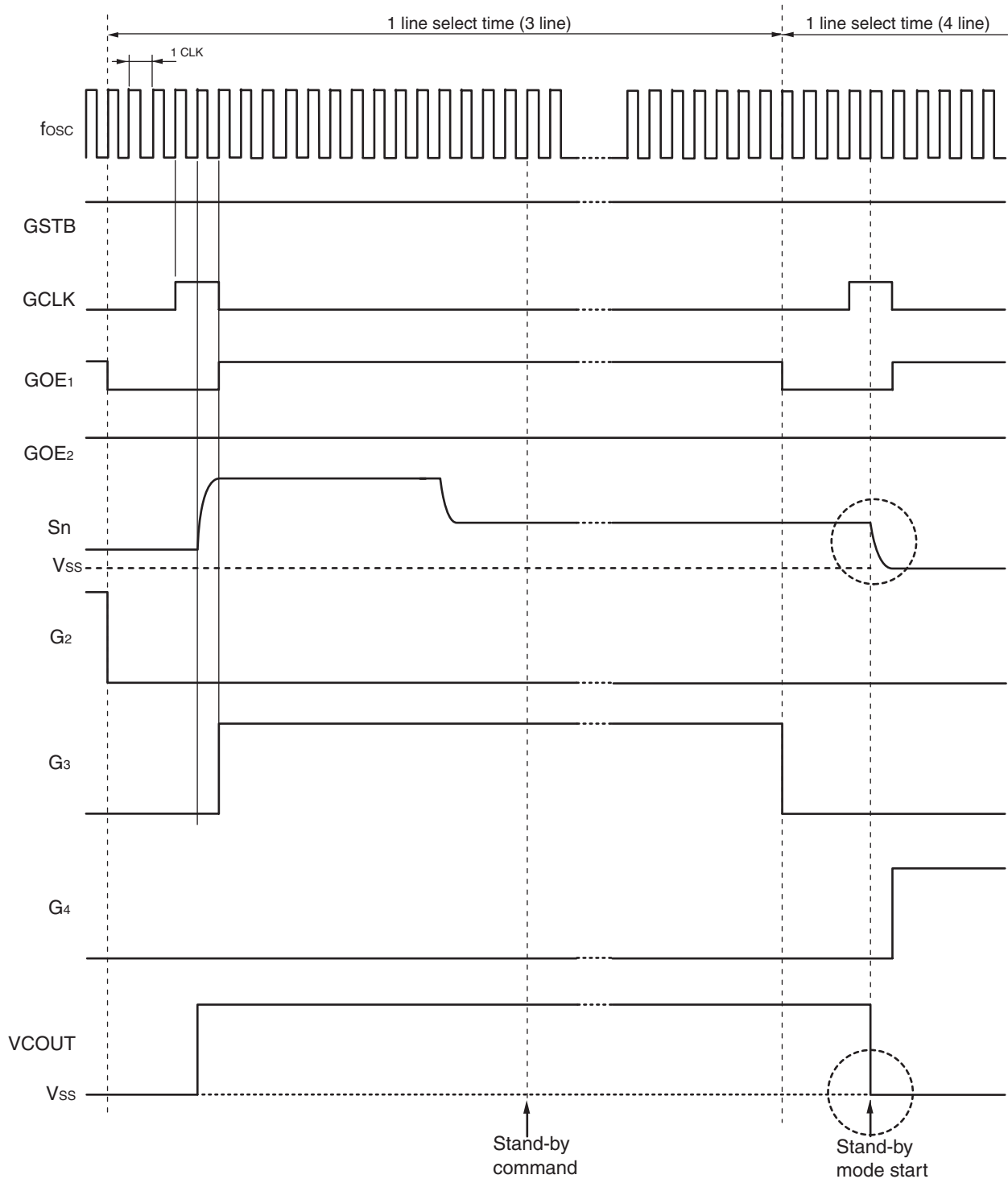


Figure 5-19. Normal Operation → Stand-by Input (during line inversion) (2) Reference

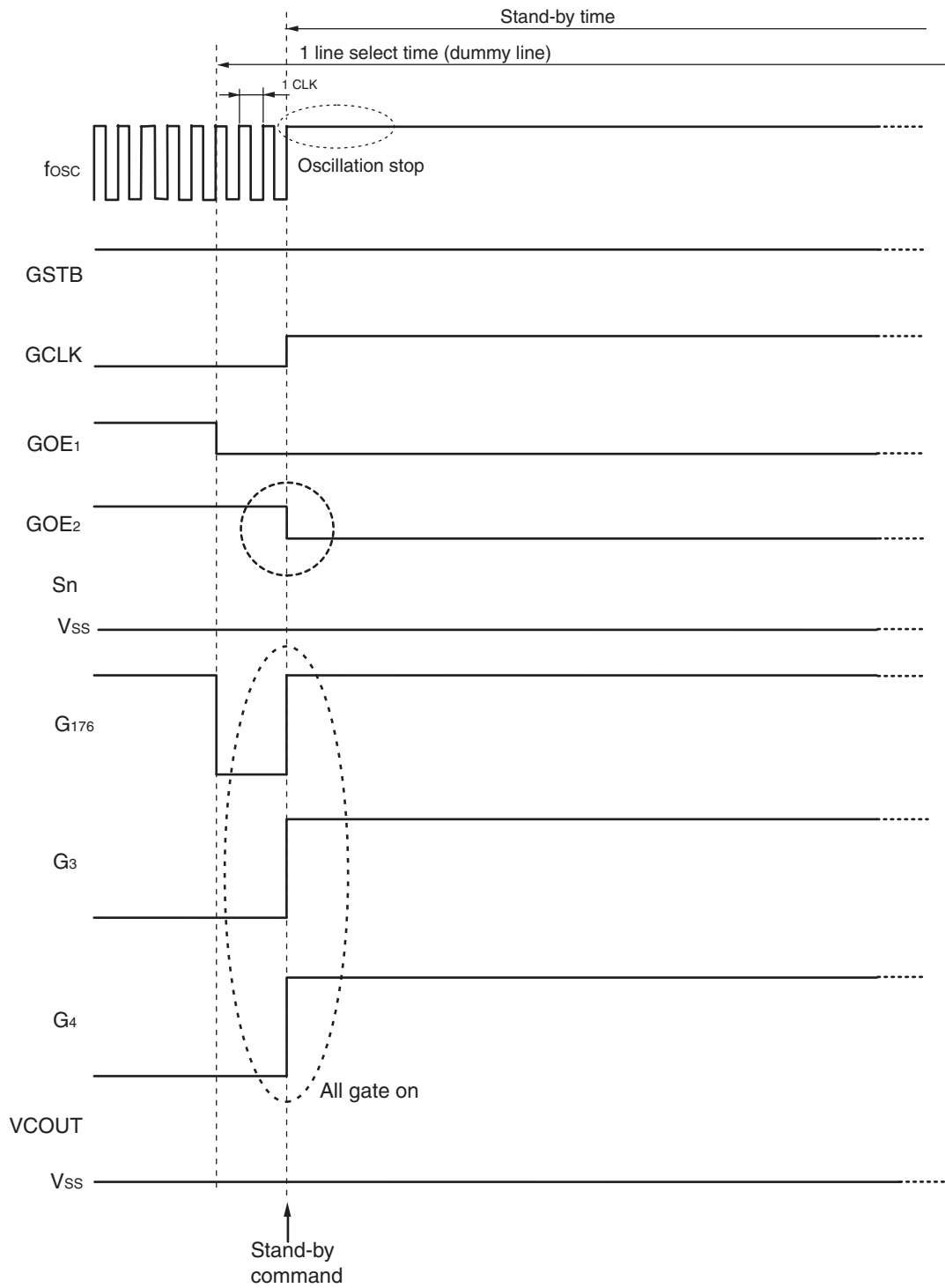
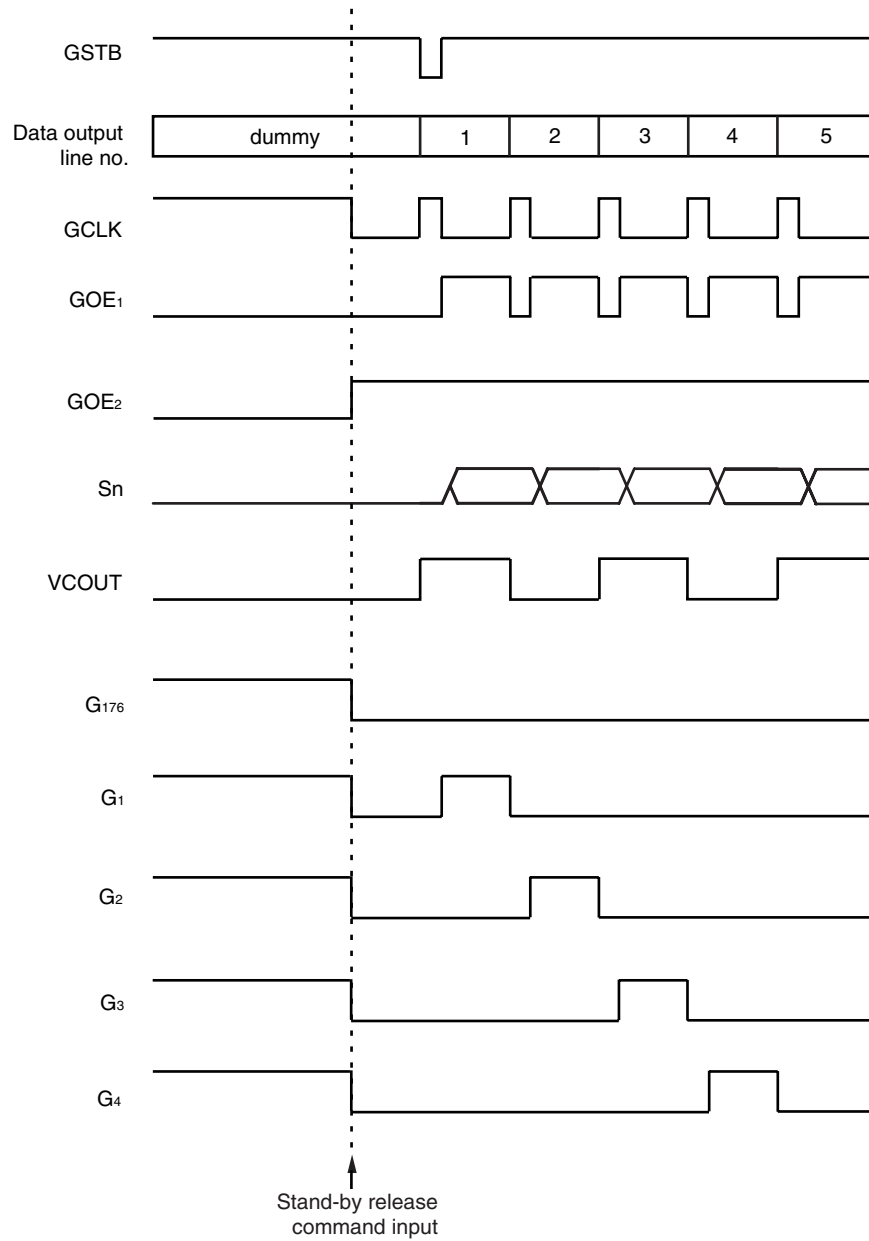


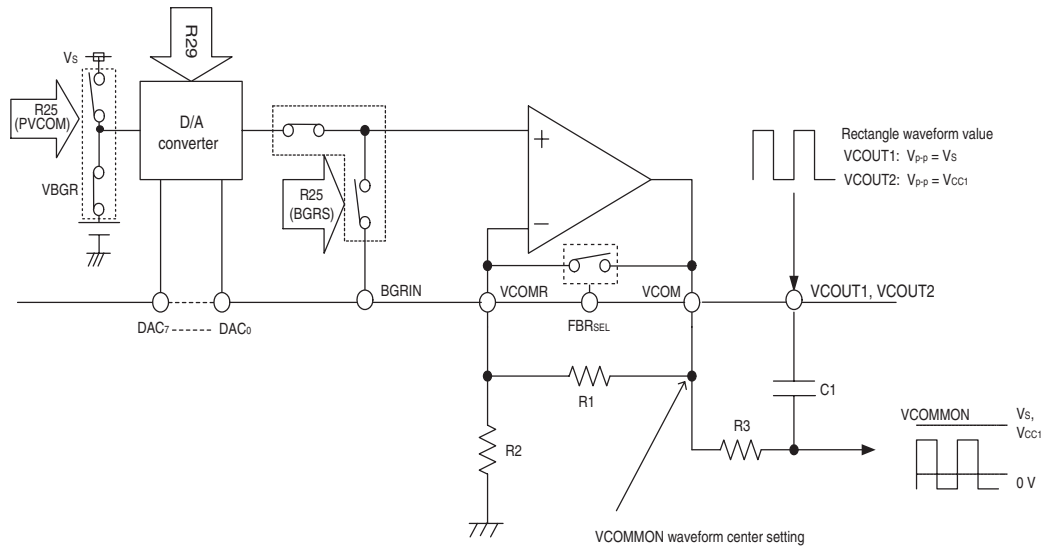
Figure 5-20. Stand-by → Return to Normal Operation (during line inversion)



5.5 Common Adjustment Circuit

To generate common output, the center voltage of the common waveform is output from the VCOM pin along with output of a 0 to V_s (V) square waveform from the VCOUT1 pin and 0 to V_{CC1} (V) from VCOUT2. The level of the VCOM output can be adjusted using as external resistor.

Figure 5–21. Common Adjustment Circuit



The VCOM voltage formulas are shown below.

- ★ <When internal power supply is used 1 (BGRS [D₆] of R25 = 0, PVCOM (D₃) = 0)>
 COM voltage = $(1+R1/R2) \times VBGR \times (\alpha \div 256)$
 VBGR = 3.0 V TYP.
 α = VCOM electronic volume register [R29]

- <When internal power supply is used 2 (BGRS [D₆] of R25 = 0, PVCOM (D₃) = 1)>
 COM voltage = $(1+R1/R2) \times V_s \times (\alpha \div 256)$
 α = VCOM electronic volume register [R29]

- <When external power supply is used (BGRS [D₆] of R25 = 1)>
 COM voltage = $(1+R1/R2) \times VBGRIN$
 VBGRIN = external power supply voltage (voltage input from BGRIN)

<Recommended values for R1 to R3, and C1>

Use the values listed below as a guideline. The user is responsible for ultimately determining the resistance values and recommended values based on careful evaluation on actual panels.

- R1: 200 K
- R2: 51 to 100 K
- R3: 51 to 100 K
- C1: 10 μF

5.6 Rectangular Signal Generator

This circuit generates a common rectangular signal. A rectangular wave of 0 to V_s (V) is output from the VCOU1 pin, and a wave of 0 to V_{CC1} (V) is output from the VCOU2 pin. The common output wave necessary for driving an LCD can be generated by connecting an external circuit as shown in Figure 5–21.

5.7 Reference Voltage Generator (VBGR)

The μPD161622 has a reference voltage generator for the voltage regulator. This reference voltage generator generates a constant voltage from V_{CC1} . The constant voltage generated by this circuit is connected to the input of the operational amplifier that adjusts the center level of the COMMON drive output, via a D/A converter.

By using this voltage, therefore, the center level of the COMMON drive output can be kept constant, without being affected by fluctuations in the supply voltage.

The common output waveform necessary for driving an LCD can be generated by connecting the external circuit show in Figure 5–21.

When the internal reference voltage generator is not used (R25: BGRS = 1), directly input the reference voltage to the operational amplifier that adjusts the center level of the COMMON drive output.

5.8 D/A Converter Circuit

The μPD161622 is provided with an internal D/A converter to adjust the voltage of the reference voltage generator for the voltage regulator. This D/A converter divides the constant voltage generated by the reference voltage generator (VBFR) by 256, and a level of voltage between VBGR and V_{SS} can be selected by setting the VCOM electronic volume register (R29).

In addition, this D/A converter also has a function to select a level by using an external pin. If the set value of the VCOM electronic volume register (R29) is 00H, the set statuses of the DAC₇ to DAC₀ pins are valid.

When DAC_n pin input is valid (R29 = 00H), these pins are pulled up internally , so only the pins that are to be set to L should be connected to V_{SS} .

Table 5–9. α Setting of VCOM Electronic Volume Register (R25: BGRS = 0)

	EV ₇	EV ₆	EV ₅	EV ₄	EV ₃	EV ₂	EV ₁	EV ₀	α	Remark
	DAC ₇	DAC ₆	DAC ₅	DAC ₄	DAC ₃	DAC ₂	DAC ₁	DAC ₀		
00H	0	0	0	0	0	0	0	0	DAC _n set value	R29
									0	DAC _n
01H	0	0	0	0	0	0	0	1	2	
02H	0	0	0	0	0	0	1	0	3	
03H	0	0	0	0	0	0	1	1	4	
↓				↓					↓	
FEH	1	1	1	1	1	1	1	0	255	
FFH	1	1	1	1	1	1	1	1	256	

5.9 γ -Curve Correction Power Supply Circuit

The μ PD161622 includes a γ -curve correction power supply circuit. If the internal γ -curve correction matches the LCD characteristics, no external components are necessary. This power circuit has white level and black level reference voltage generators on the positive and negative polarity sides, and also supports unbalanced driving. The reference voltage generators consist of a D/A converter and an operational amplifier and divide V_s to V_{ss} by 256. One level of voltage can be selected by using the contrast value setting registers (R36 to R39).

★

Figure 5-22. γ -Curve Correction Circuit

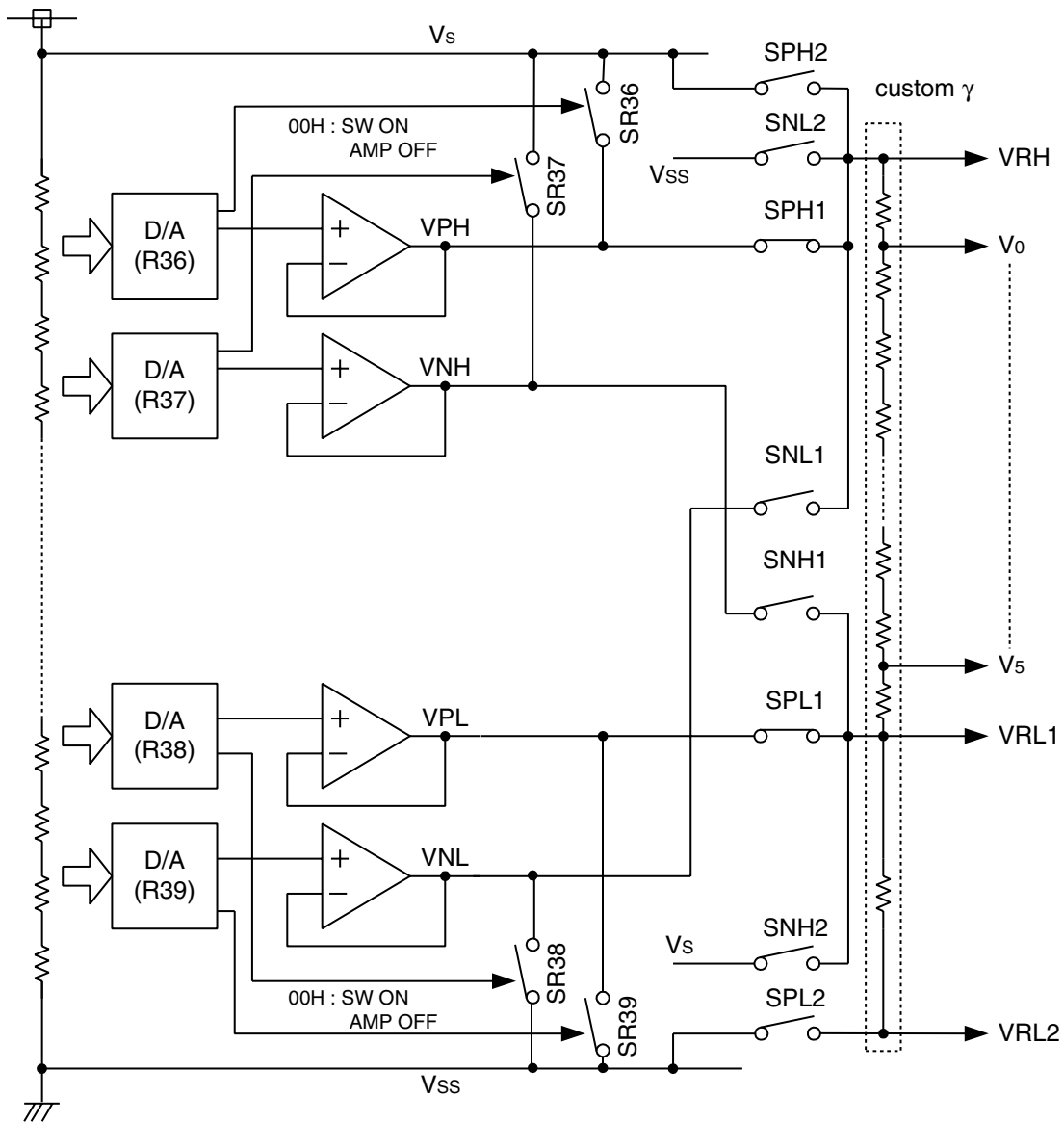
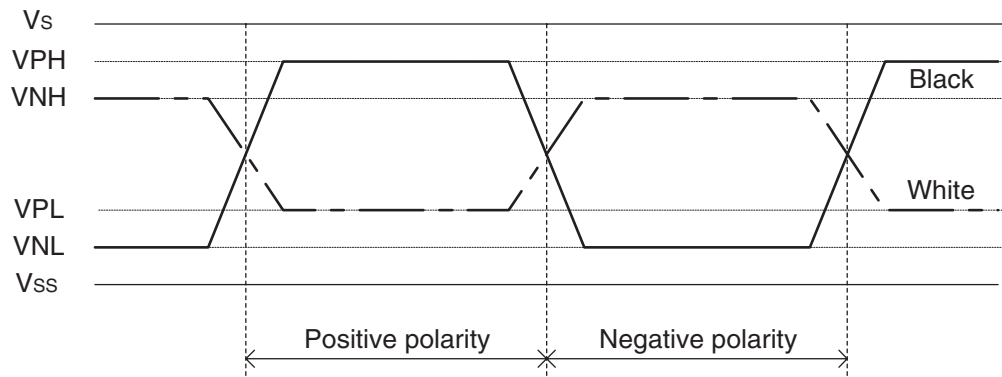


Figure 5–23. Relationship of TFT Drive Voltage (normally white)



	Drive level	Setting register	
VPH	Positive polarity, black	Contrast value setting register 1	R36
VNH	Negative polarity, white	Contrast value setting register 2	R37
VPL	Positive polarity, black	Contrast value setting register 3	R38
VNL	Negative polarity, white	Contrast value setting register 4	R39

The value of each amplifier output can be expressed as follows and the value of β can be set as shown in Table 5–10 and 5–11 by using the contrast value registers (R36 to R39)

$$VNL, BVPL, VNH, VPH = (\beta \div 256) \times Vs$$

Caution The usable range in which each output level of VPH, VNH, VPL, and VNL can be set depends on the γ-curve.

Table 5–10. γ-Contrast Value Setting and Electronic Volume Register β Setting 1 (VPH, VNL)

R36	GPH7	GPH6	GPH5	GPH4	GPH3	GPH2	GPH1	GPH0	β value setting or status setting
R37	GNH7	GNH6	GNH5	GNH4	GNH3	GNH2	GNH1	GNH0	
00H	0	0	0	0	0	0	0	0	Fixed to Vs (amplifier OFF)
01H	0	0	0	0	0	0	0	1	255
02H	0	0	0	0	0	0	1	0	254
03H	0	0	0	0	0	0	1	1	253
↓				↓					↓
FEH	1	1	1	1	1	1	1	0	2
FFH	1	1	1	1	1	1	1	1	1

Table 5–11. γ -Contrast Value Setting and Electronic Volume Register β Setting 1 (VPL, VNL)

R36	GPL7	GPL6	GPL5	GPL4	GPL3	GPL2	GPL1	GPL0	β value setting or Statement setting
R37	GNL7	GNL6	GNL5	GNL4	GNL3	GNL2	GNL1	GNL0	
00H	0	0	0	0	0	0	0	0	Fixed to V_s (amplifier OFF)
01H	0	0	0	0	0	0	0	1	255
02H	0	0	0	0	0	0	1	0	254
03H	0	0	0	0	0	0	1	1	253
↓				↓					↓
FEH	1	1	1	1	1	1	1	0	2
FFH	1	1	1	1	1	1	1	1	1

Relationship between Setting Value of R36 to R39 Registers and Switch Status ($G_{SEL}[R1] = 1$)

Register	Setting value	Switch Status	Amplifier
R36	00H	SR36	ON
	Other than 00H		OFF
R37	00H	SR37	ON
	Other than 00H		OFF
R38	00H	SR38	ON
	Other than 00H		OFF
R39	00H	SR39	ON
	Other than 00H		OFF

The relationship between the setting of the contrast value setting register and the driven waveform is explained next, taking the γ -curve in Figure 5–22 as an example.

Table 5–12. Switch Status when γ -Curve Correction Power Supply Circuit is not used ($G_{SEL}[R1] = 0$)

Polarity	Switch status							
	SPH1	SNL1	SNH1	SPL1	SPH2	SNL2	SNH2	SPL2
Positive	x	x	x	x	ON	OFF	OFF	ON
Negative	x	x	x	x	OFF	ON	ON	OFF

Remark x: Switch is normally OFF with the amplifier OFF.

Relationship of drive voltage (normally white)

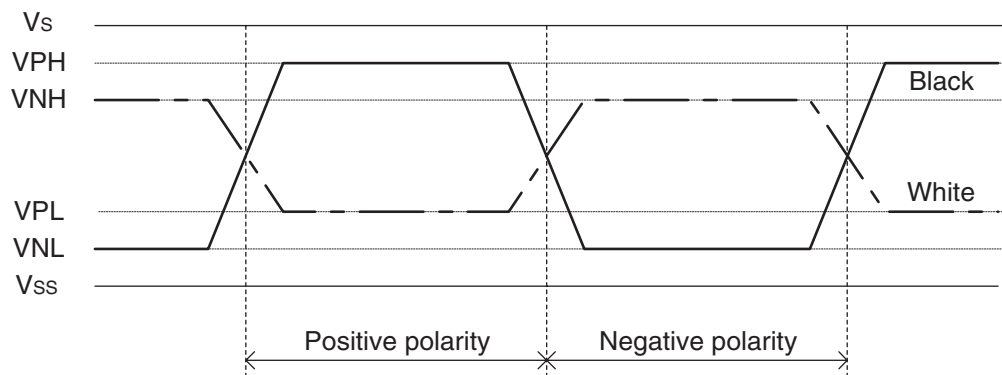
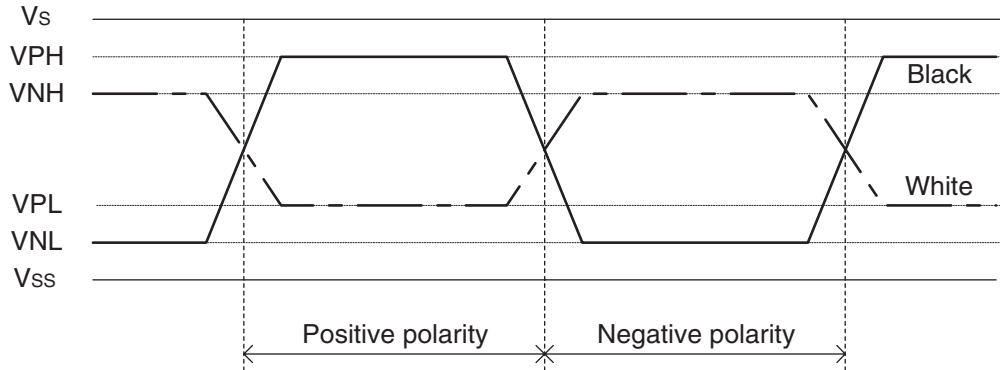


Table 5-13. Switch Status when γ-Curve Correction Power Circuit is used (G_{SEL}[R1] = 1)

Polarity	Switch status							
	SPH1	SNL1	SNH1	SPL1	SPH2	SNL2	SNH2	SPL2
Positive	ON	OFF	OFF	ON	x	x	x	x
Negative	OFF	ON	ON	OFF	x	x	x	x

Remark x: Switch is normally OFF

Relationship of drive voltage (normally white)



★

Figure 5-24. TFT Drive Voltage Level

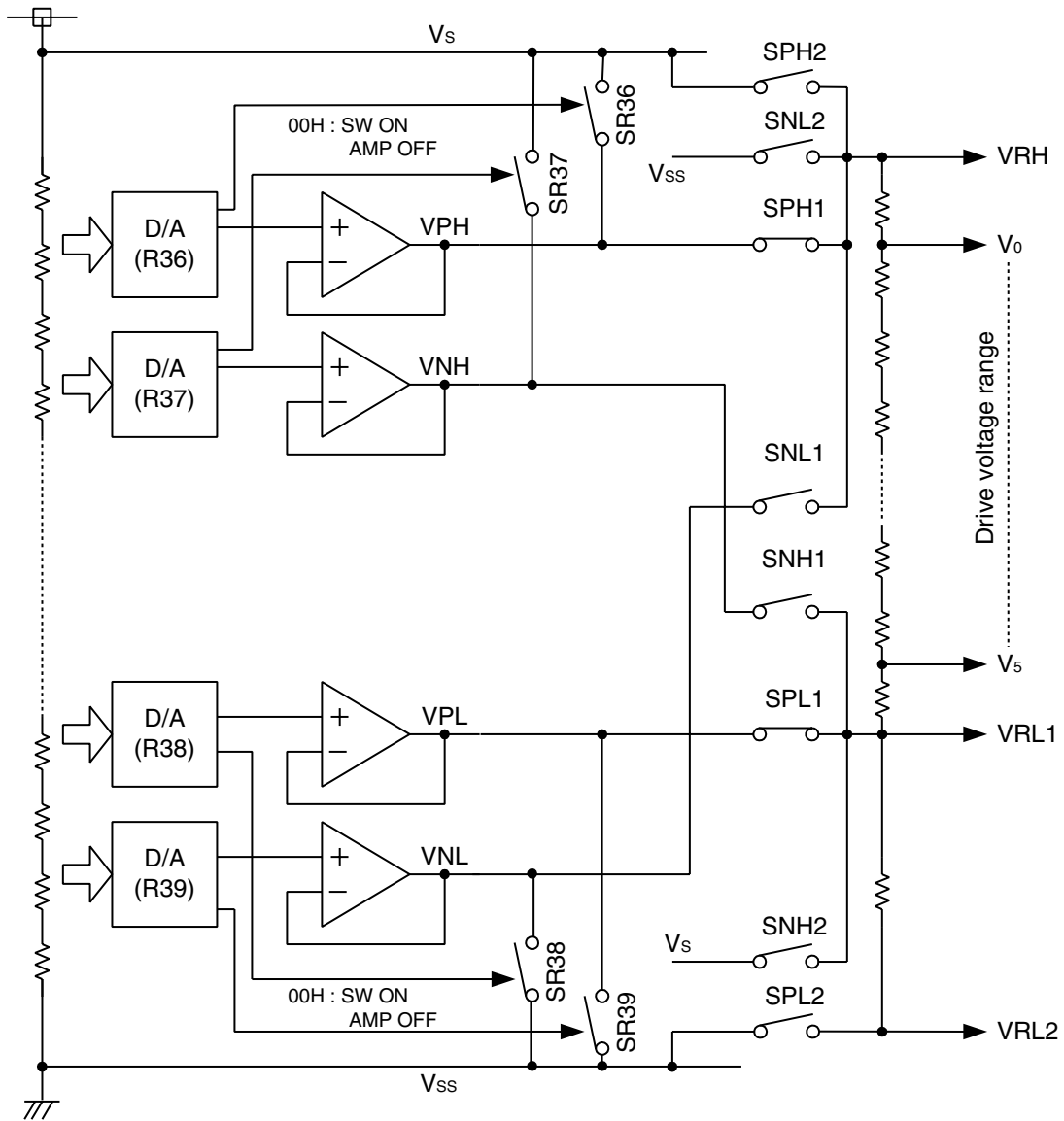


Table 5-14. γ Curve Correction Circuit (γ correction resistance)

Gray scale	Display Data		Resistance (k Ω)		Output Voltage (V)	
	D ₁₀ - D ₅	D ₁₅ - D ₁₁ , D ₄ - D ₀	r		Positive Voltage	Negative Voltage
0	00H	00H	r 2	1.587	4.901	0.107
1	01H	-	r 3	1.226	4.824	0.190
2	02H	-	r 4	2.453	4.671	0.356
3	03H	01H	r 5	3.390	4.459	0.586
4	04H	-	r 6	4.112	4.202	0.864
5	05H	02H	r 7	4.905	3.895	1.196
6	06H	-	r 8	1.731	3.787	1.313
7	07H	03H	r 9	1.443	3.697	1.411
8	08H	-	r 10	1.587	3.598	1.519
9	09H	04H	r 11	1.515	3.503	1.621
10	0AH	-	r 12	1.082	3.436	1.694
11	0BH	05H	r 13	1.082	3.368	1.768
12	0CH	-	r 14	1.154	3.296	1.846
13	0DH	06H	r 15	1.226	3.219	1.929
14	0EH	-	r 16	1.298	3.138	2.017
15	0FH	07H	r 17	1.082	3.070	2.090
16	10H	-	r 18	0.649	3.030	2.134
17	11H	08H	r 19	0.721	2.985	2.183
18	12H	-	r 20	0.794	2.935	2.236
19	13H	09H	r 21	0.721	2.890	2.285
20	14H	-	r 22	0.794	2.840	2.339
21	15H	0AH	r 23	0.505	2.809	2.373
22	16H	-	r 24	0.577	2.773	2.412
23	17H	0BH	r 25	0.577	2.737	2.451
24	18H	-	r 26	0.505	2.701	2.490
25	19H	0CH	r 27	0.433	2.669	2.524
26	1AH	-	r 28	0.433	2.642	2.554
27	1BH	0DH	r 29	0.433	2.615	2.583
28	1CH	-	r 30	0.433	2.588	2.612
29	1DH	0EH	r 31	0.433	2.561	2.642
30	1EH	-	r 32	0.505	2.529	2.676
31	1FH	0FH	r 33	0.361	2.507	2.700
32	20H	-	r 34	0.433	2.507	2.729
33	21H	10H	r 35	0.433	2.480	2.759
34	22H	-	r 36	0.433	2.453	2.788
35	23H	11H	r 37	0.433	2.426	2.817
36	24H	-	r 38	0.433	2.399	2.847
37	25H	12H	r 39	0.433	2.372	2.876
38	26H	-	r 40	0.505	2.344	2.910
39	27H	13H	r 41	0.433	2.313	2.939
40	28H	-	r 42	0.433	2.286	2.969
41	29H	14H	r 43	0.433	2.259	2.998
42	2AH	-	r 44	0.505	2.232	3.032
43	2BH	15H	r 45	0.361	2.200	3.057
44	2CH	-	r 46	0.433	2.178	3.086
45	2DH	16H	r 47	0.433	2.151	3.115
46	2EH	-	r 48	0.361	2.124	3.140
47	2FH	17H	r 49	0.361	2.101	3.164
48	30H	-	r 50	0.361	2.078	3.188
49	31H	18H	r 51	0.361	2.056	3.213
50	32H	-	r 52	0.433	2.033	3.242
51	33H	19H	r 53	0.433	2.006	3.271
52	34H	-	r 54	0.433	1.979	3.301
53	35H	1AH	r 55	0.505	1.952	3.335
54	36H	-	r 56	0.505	1.921	3.369
55	37H	1BH	r 57	0.505	1.889	3.403
56	38H	-	r 58	0.721	1.858	3.452
57	39H	1CH	r 59	0.721	1.812	3.501
58	3AH	-	r 60	0.866	1.767	3.560
59	3BH	1DH	r 61	0.866	1.713	3.618
60	3CH	-	r 62	1.587	1.659	3.726
61	3DH	1EH	r 63	2.597	1.560	3.901
62	3EH	-	r 64	2.597	1.398	4.077
63	3FH	1FH	r 65	12.047	1.235	4.893
				7.719	0.482	
		Total		80.000		

Figure 5-25. γ -Curve Corrected Circuit (γ -corrected resistance value)

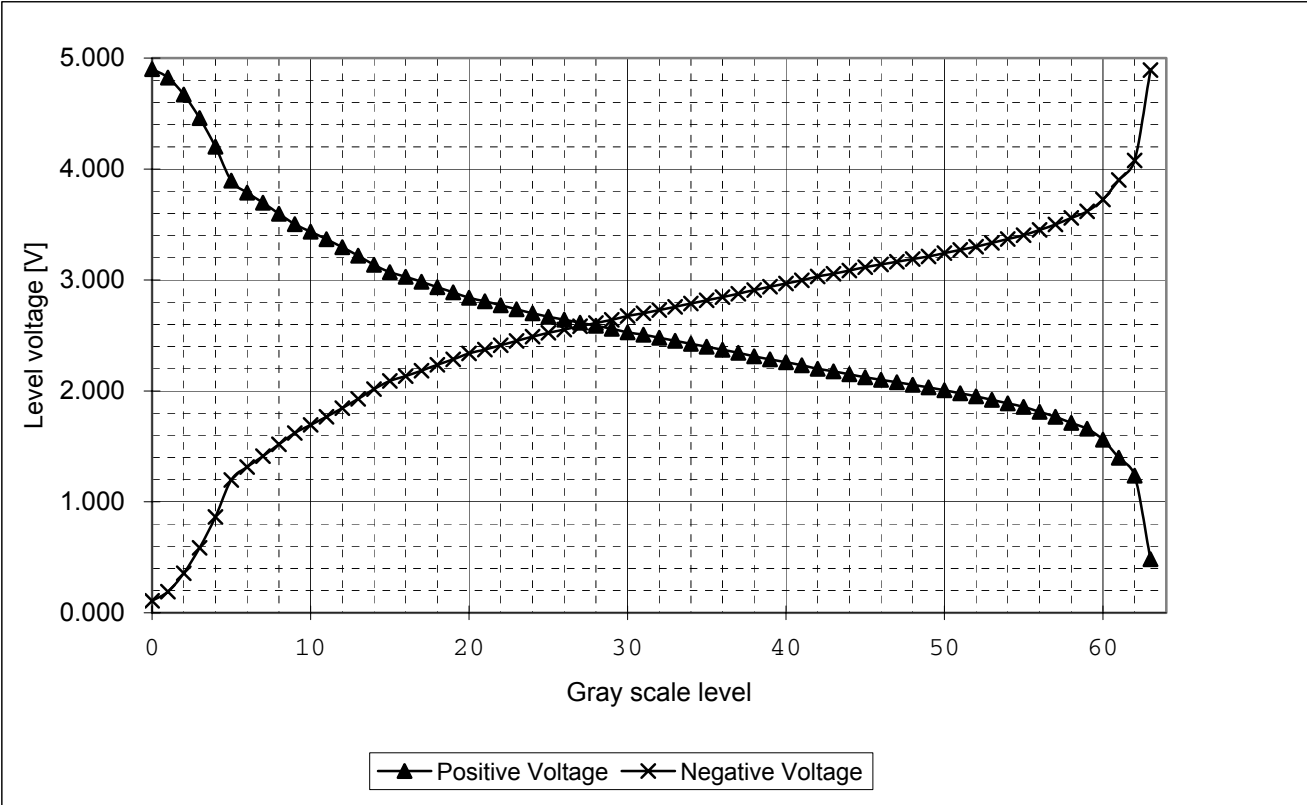
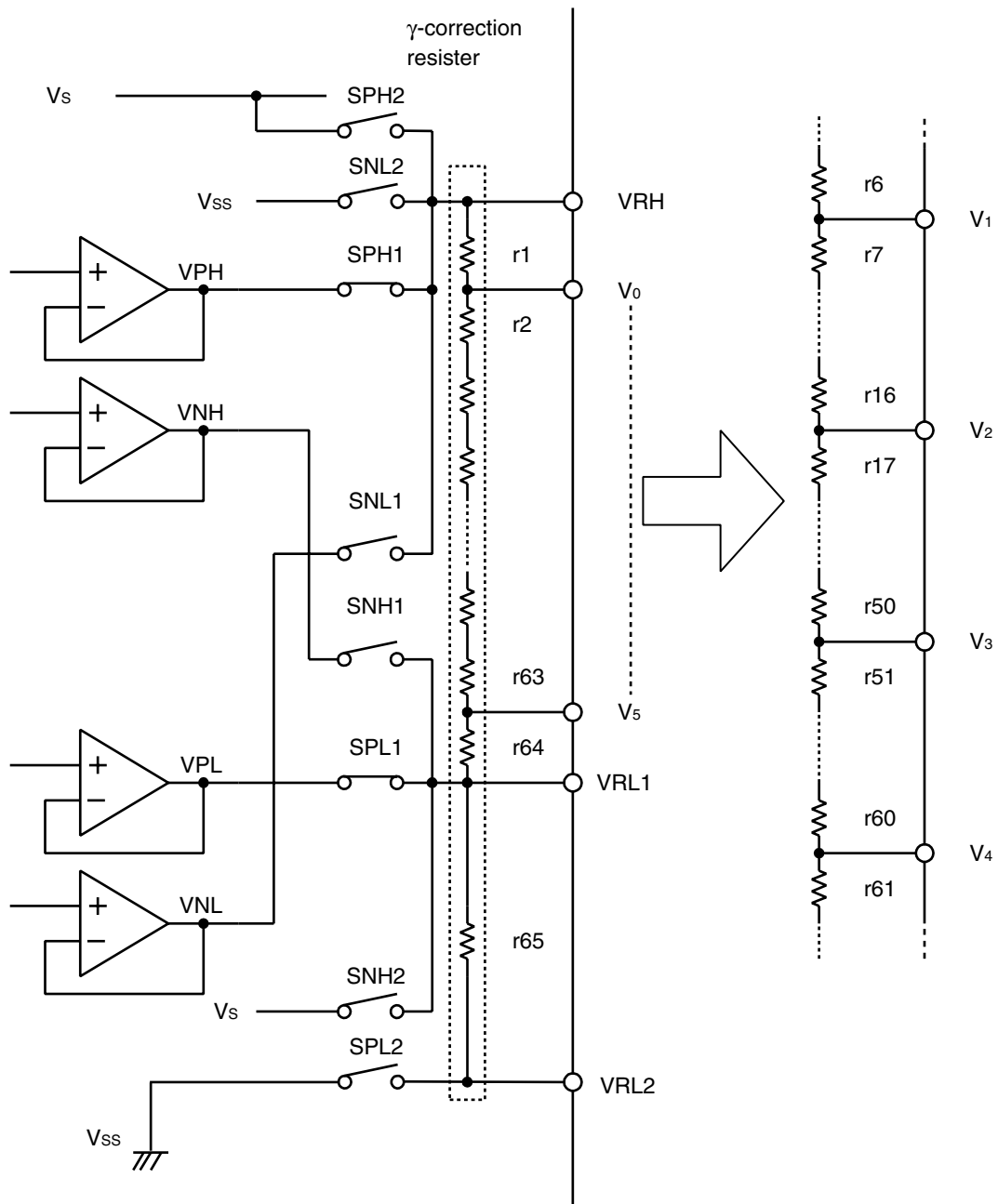


Figure 5-26. Internal Connection of V₀ to V₅, VRH, VRL1, and VRL2



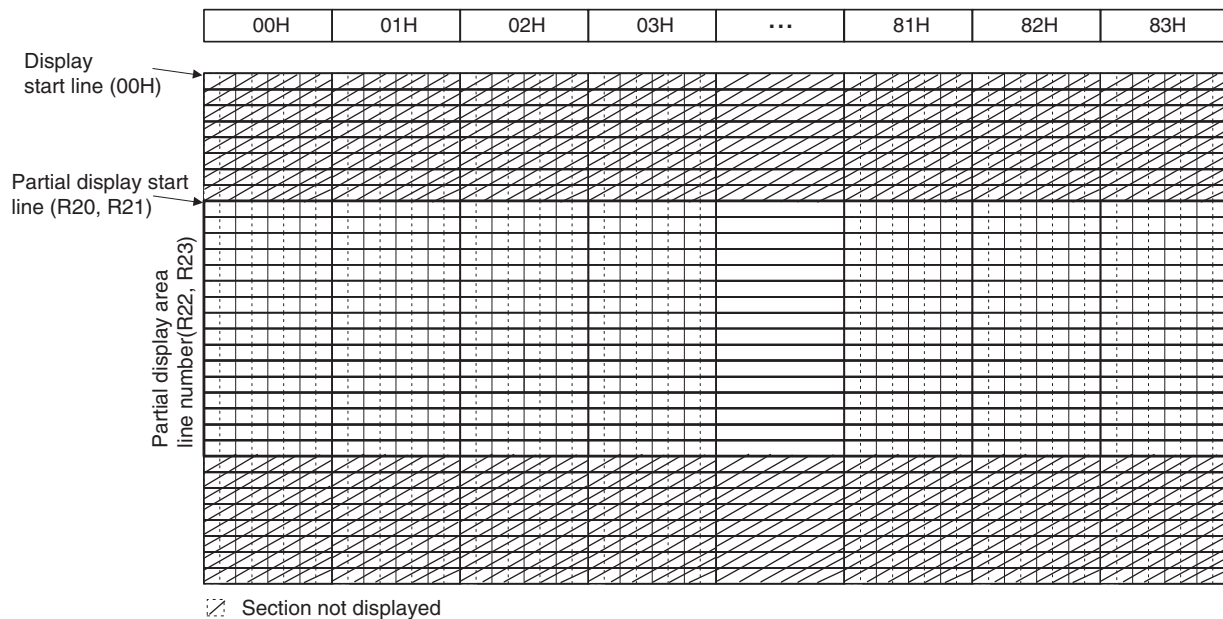
5.10 Partial Display Mode

The μPD161622 is provided with a function that allows sections within the screen to be displayed separately (partial display mode). The start line of the area to be displayed in partial display mode is set using the partial display area start line register (R20, R21), the number of lines in the area to be displayed is set using the partial display area line count register (R22, R23), and the color of the area not to be displayed is set using the partial off area color register (R19). If "1" is set in the partial display area line count registers (R22, R23), the partial display areas each become 1 line. If "0" is set, there are no partial display areas but only normal display areas.

The non-display area indicated by R20 and R22 is called Partial 1, and the non-display area indicates by R21 and R23 is called Partial 2. The Partial 2 setting is enabled only when the Partial 1 setting has been performed (when R22 ≠ 0). Therefore, to set only one area as a non-display area, perform only the setting for Partial 1.

Low power consumption cannot be achieved if only the partial mode is set. If low power consumption is required, the mode must be switched to the 8-clor mode.

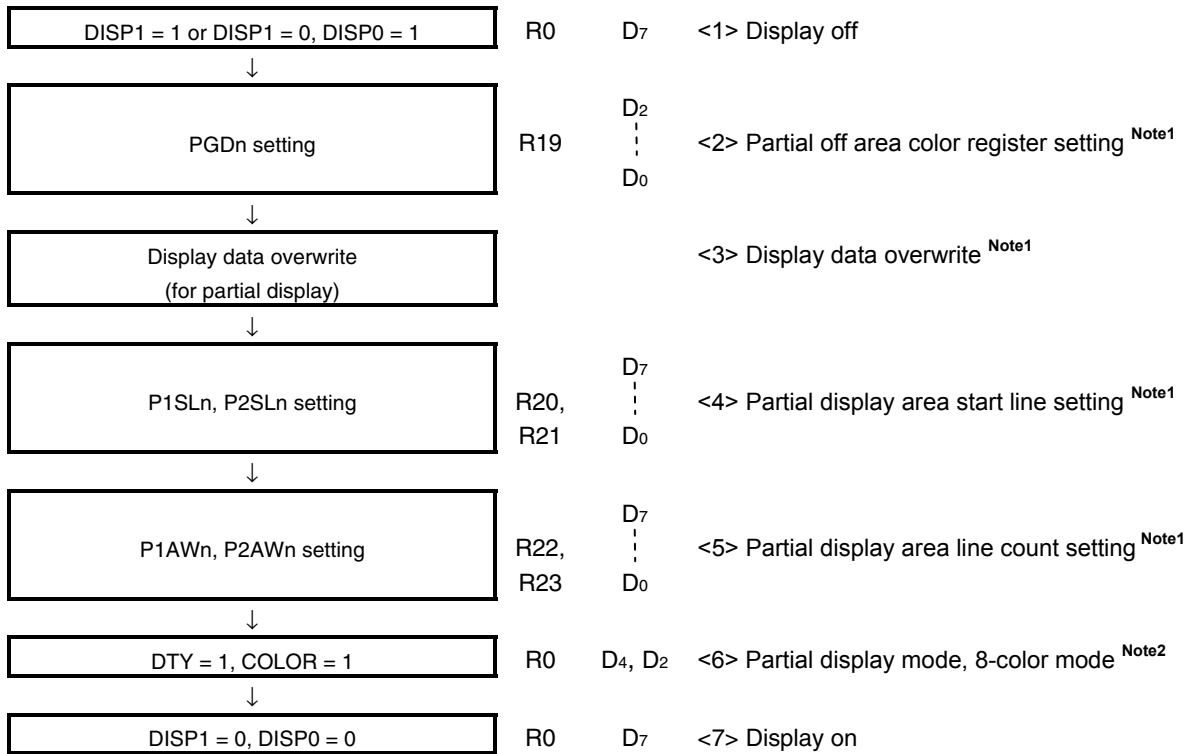
Figure 5–26. Partial Display Mode



- Cautions 1.** The "scroll step count register (R17)" command is ignored in the partial display mode.
- 2.** The specified partial areas must not directly overlap, and the Partial 1 area and Partial 2 area must be separated by at least one line. If the areas overlap, only the Partial 1 settings are valid, and partial display is not performed for the Partial 2 area.
- 3.** When setting the partial display areas, be sure to observe the following relationship.
 - “00H” ≤ R20 (R21)
 - R22 (R23) ≤ “AFH”

The following sequence is recommended to avoid display malfunction when switching from normal display mode to partial display mode and vice versa.

(1) Recommended sequence for switching from normal display mode to partial display mode



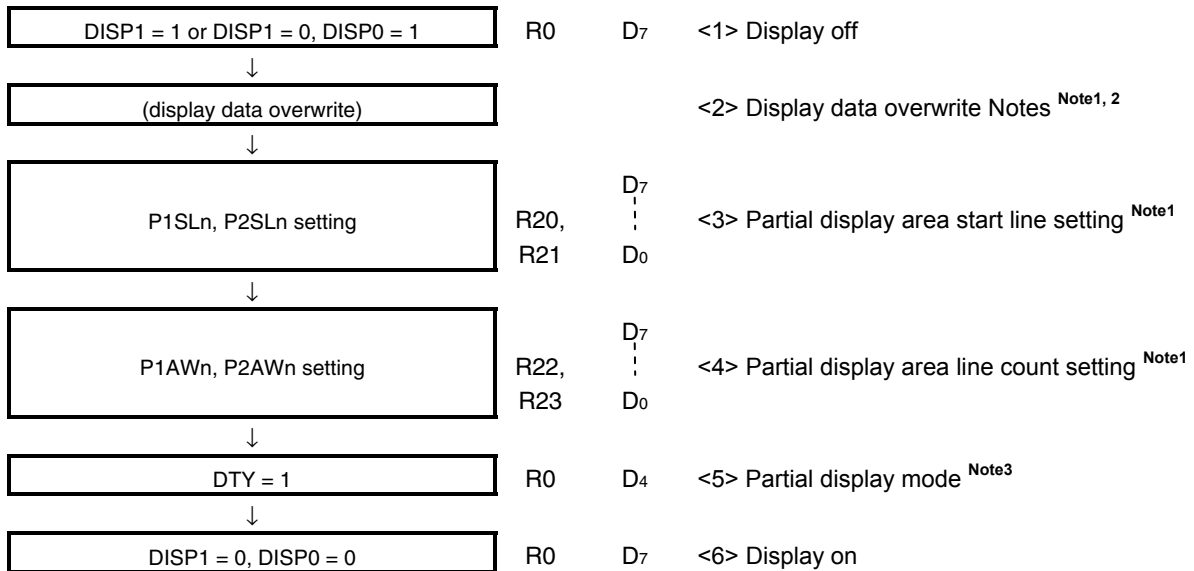
- Notes**
1. <2> to <5> can be executed in any order.
 2. <6> must be executed after <4> and <5> have been set.

(2) Recommended sequence for switching from partial display mode to normal display mode



Note <2> to <3> can be executed in any order.

(3) Recommended sequence for switching from partial display mode to partial display mode (switching the partial display area)



- Notes**
1. <2> to <4> can be executed in any order.
 2. Execute <2> only when necessary.
 3. <5> must be executed after <3> and <4> have been set.

(4) Partial display setting examples

Setting A-1

Register	Setting Value	Details of Setting Value
Partial display area start line register (R20, R21)	00H	Sets Y address 00H
Partial display area line count register (R22, R23)	58H	Sets an area of 88 lines

Setting A-2

Register	Setting Value	Details of Setting Value
Partial display area start line register (R20, R21)	58H	Sets Y address 58H
Partial display area line count register (R22, R23)	58H	Sets an area of 88 lines

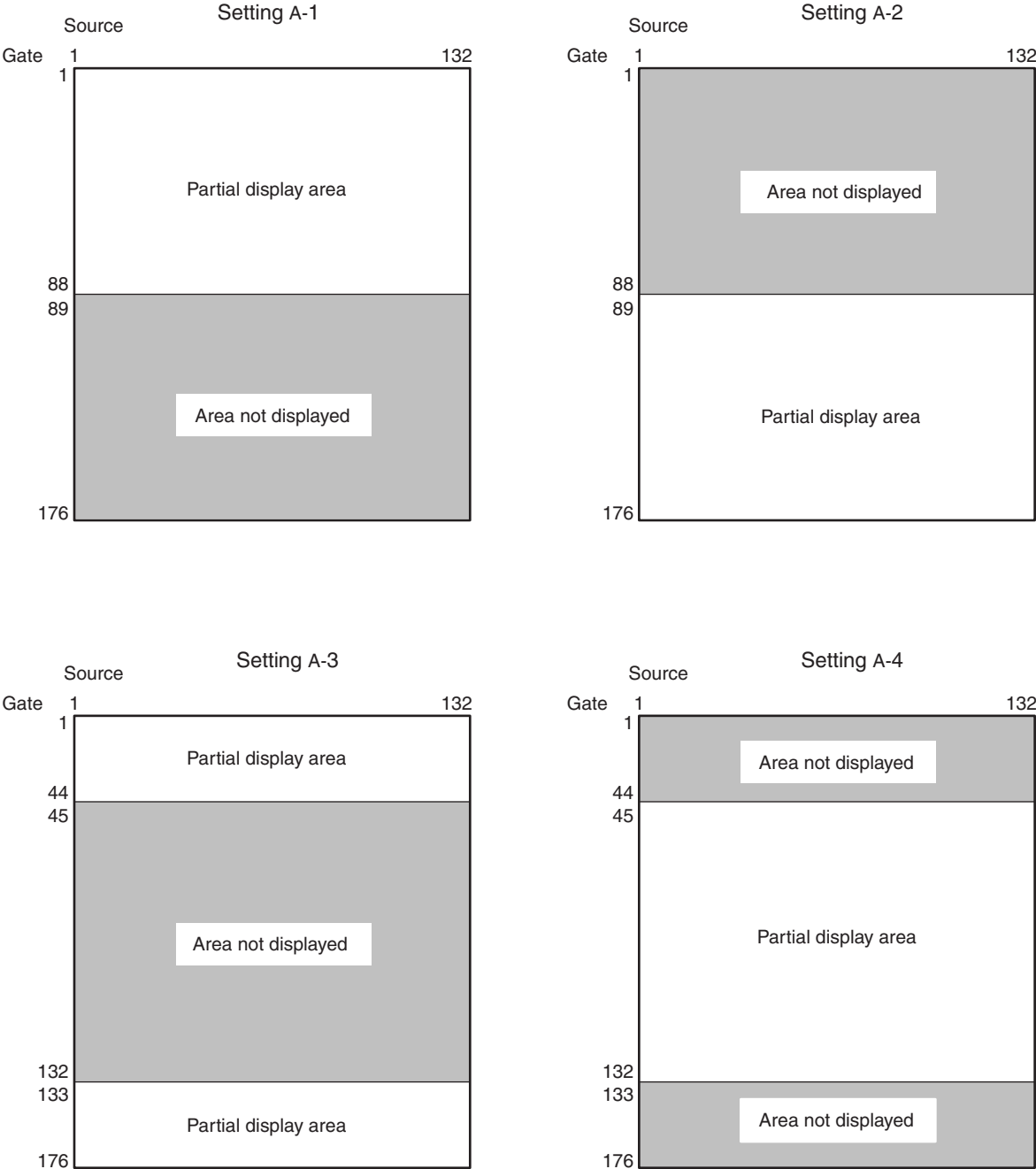
Setting A-3

Register	Setting Value	Details of Setting Value
Partial display area start line register (R20, R21)	84H	Sets Y address 84H
Partial display area line count register (R22, R23)	58H	Sets an area of 88 lines

Setting A-4

Register	Setting Value	Details of Setting Value
Partial display area start line register (R20, R21)	2CH	Sets Y address 2CH
Partial display area line count register (R22, R23)	58H	Sets an area of 88 lines

Figure 5-28. Partial Display Setting Examples



5.11 Screen Scroll

The μPD161622 has a screen scroll function. Any area of the screen can be scrolled by using the scroll area start line register (R15), scroll area line count register (R16), and scroll step count register (R17) to set the Y address of the top line of the area to be scrolled, the count of lines of the area to be scrolled, and the scroll step number, respectively.

Note that in partial mode, the screen scroll function is disabled.

Table 5–15. Scroll Area Start Line Register (R15)

SSL7	SSL6	SSL5	SSL4	SSL3	SSL2	SSL1	SSL0	Start Line Y Address
0	0	0	0	0	0	0	0	00H
0	0	0	0	0	0	0	1	01H
0	0	0	0	0	0	1	0	02H
0	0	0	0	0	0	1	1	03H
				↓				↓
1	0	1	0	1	1	0	1	ADH
1	0	1	0	1	1	1	0	AEH
1	0	1	0	1	1	1	1	AFH

Table 5–16. Scroll Area Line Count Register (R16)

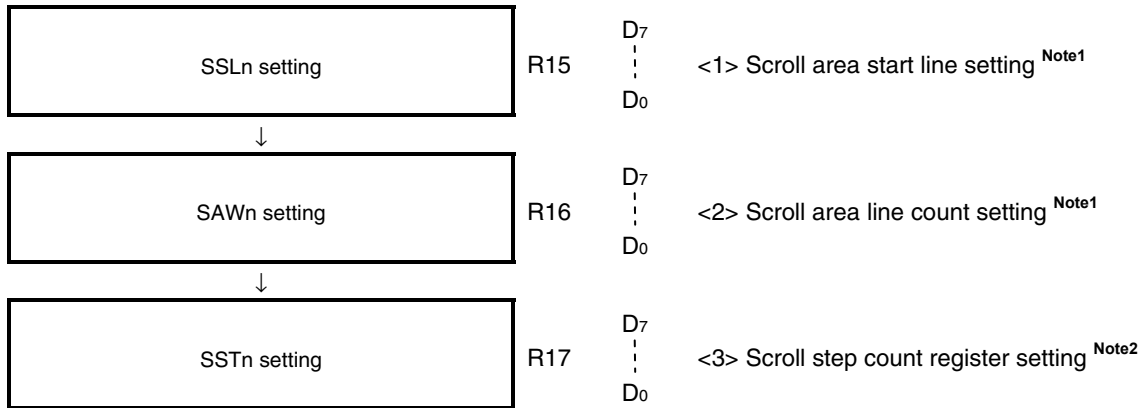
SAW7	SAW6	SAW5	SAW4	SAW3	SAW2	SAW1	SAW0	Scroll Area Line Number
0	0	0	0	0	0	0	0	1
0	0	0	0	0	0	0	1	2
0	0	0	0	0	0	1	0	3
0	0	0	0	0	0	1	1	4
				↓				↓
1	0	1	0	1	1	0	1	174
1	0	1	0	1	1	1	0	175
1	0	1	0	1	1	1	1	176

Table 5–17. Scroll Step Count Register (R17)

SST7	SST6	SST5	SST4	SST3	SST2	SST1	SST0	Scroll Step Number
0	0	0	0	0	0	0	0	0 (no scroll)
0	0	0	0	0	0	0	1	1
0	0	0	0	0	0	1	0	2
0	0	0	0	0	0	1	1	3
				↓				↓
1	0	1	0	1	1	0	1	173
1	0	1	0	1	1	1	0	174
1	0	1	0	1	1	1	1	175

Scrolling must be set using the following sequence.

(1) Recommended scroll sequence



- Notes** 1. <1> to <2> can be executed in any order.
 2. <3> must be executed after <1> and <2> have been set.

Remark Set SSTn to 00H to disable the scroll operation. No particular sequence is required for this.

- Cautions** 1. If the sum of the values of SSLn and SAWn is 176 (AFH) or over, it is invalid (no scroll operation).
 2. Set the step number SSTn so that it does not exceed the line number SAWn. If a value exceeding SAWn is set, it will be invalid (no scroll operation).

(2) Scroll setting examples

Setting A-1

Register	Setting Value	Details of Setting Value
Scroll area start line register (R15)	00H	Sets Y address 00H
Scroll area line count register (R16)	AFH	Sets an area of 176 lines

Setting A-2

Register	Setting Value	Details of Setting Value
Scroll area start line register (R15)	00H	Sets Y address 00H
Scroll area line count register (R16)	57H	Sets an area of 88 lines

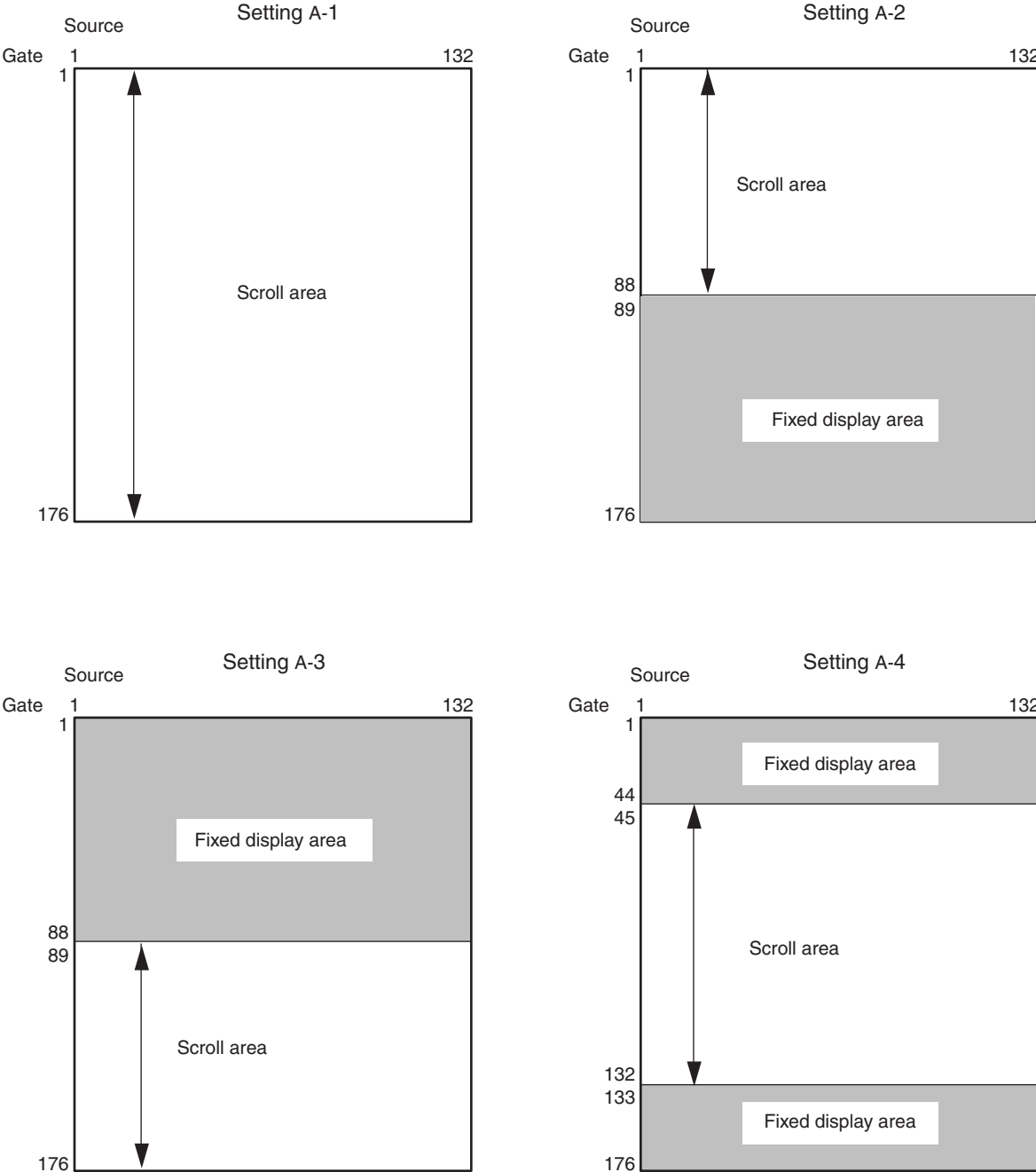
Setting A-3

Register	Setting Value	Details of Setting Value
Scroll area start line register (R15)	58H	Sets Y address 58H
Scroll area line count register (R16)	57H	Sets an area of 88 lines

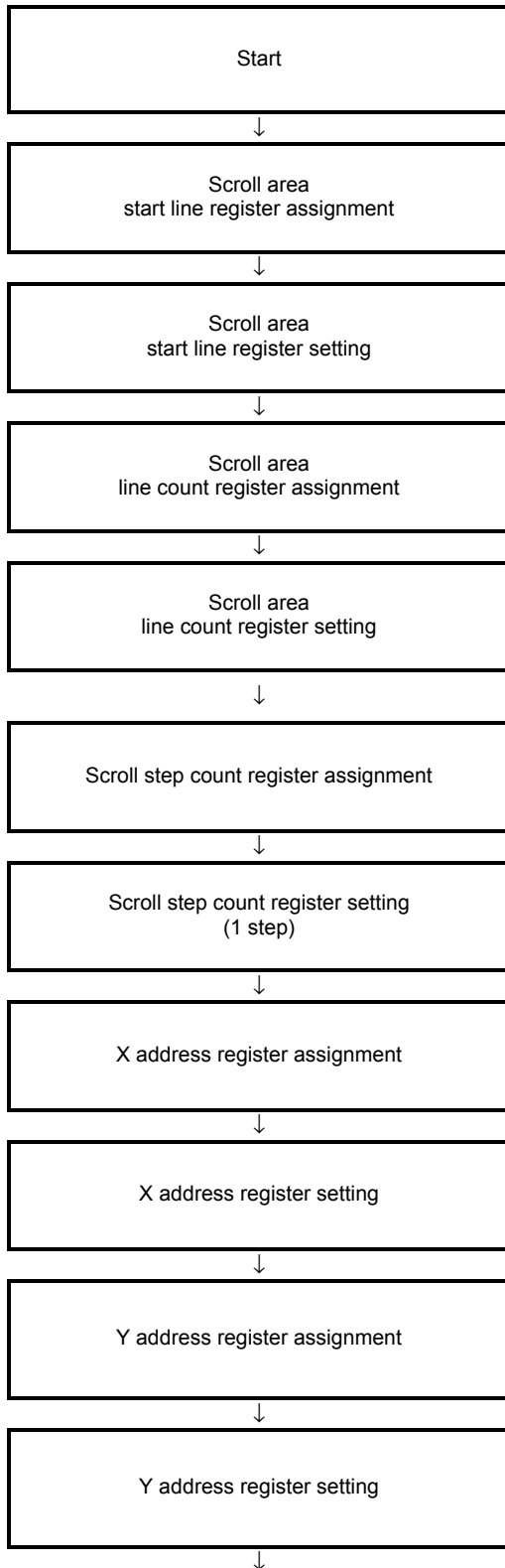
Setting A-4

Register	Setting Value	Details of Setting Value
Scroll area start line register (R15)	2CH	Sets Y address 2CH
Scroll area line count register (R16)	57H	Sets an area of 88 lines

Figure 5-29. Display Scroll Setting Examples



(3) Scroll setting flowchart example



IR D₆ to D₀ Index register

RS	MSB							LSB	
L	X	0	0	0	1	1	1	1	

R15 D₇ to D₀ Scroll area start line register

RS	MSB							LSB	
H	D ₇	D ₆	D ₅	D ₄	D ₃	D ₂	D ₁	D ₀	

Caution D₇ to D₀ are the data for Scroll area start line.

IR D₅ to D₀ Index register

RS	MSB							LSB	
L	X	0	0	1	0	0	0	0	

R16 D₇ to D₀ Scroll area line count register

RS	MSB							LSB	
H	D ₇	D ₆	D ₅	D ₄	D ₃	D ₂	D ₁	D ₀	

Caution D₇ to D₀ are the data for Scroll area line count register.

IR D₆ to D₀ Index register

RS	MSB							LSB	
L	X	0	0	1	0	0	0	1	

R17 D₇ to D₀ Scroll step count register

RS	MSB							LSB	
H	0	0	0	0	0	0	0	1	

IR D₆ to D₀ Index register

RS	MSB							LSB	
L	X	0	0	0	0	1	1	0	

R6 D₇ to D₀ X address register

RS	MSB							LSB	
H	D ₇	D ₆	D ₅	D ₄	D ₃	D ₂	D ₁	D ₀	

Caution D₇ to D₀ depend on application condition.

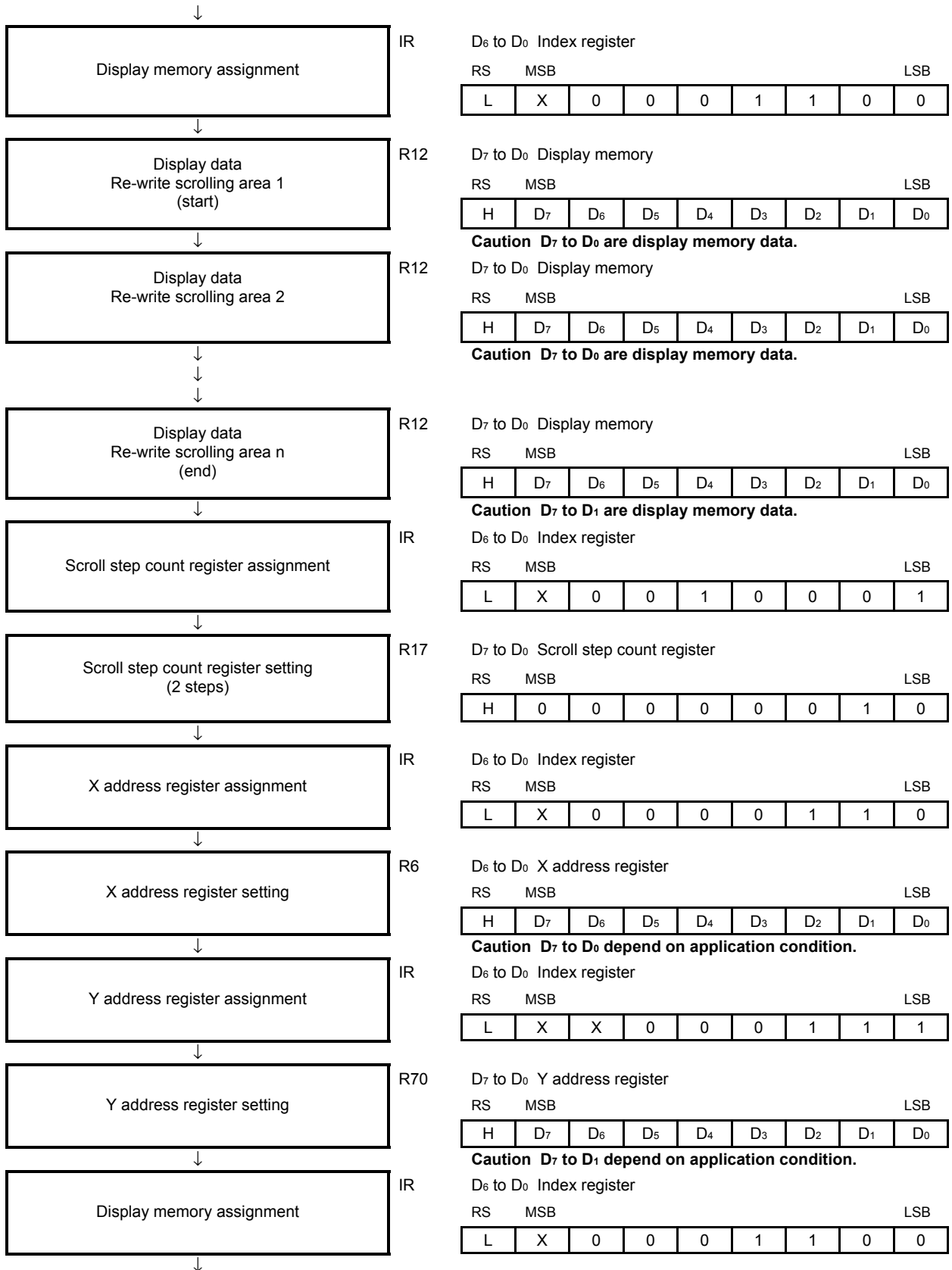
IR D₆ to D₀ Index register

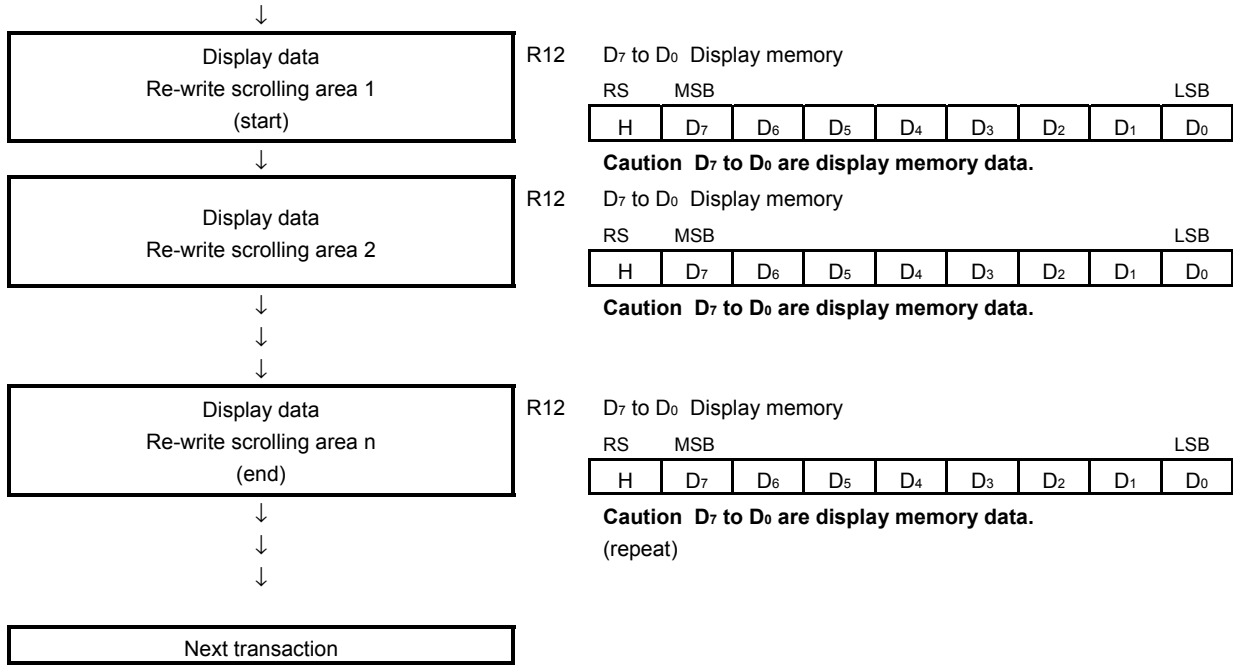
RS	MSB							LSB	
L	X	0	0	0	0	1	1	1	

R7 D₇ to D₀ Y address register

RS	MSB							LSB	
H	D ₇	D ₆	D ₅	D ₄	D ₃	D ₂	D ₁	D ₀	

Caution D₇ to D₀ depend on application condition.





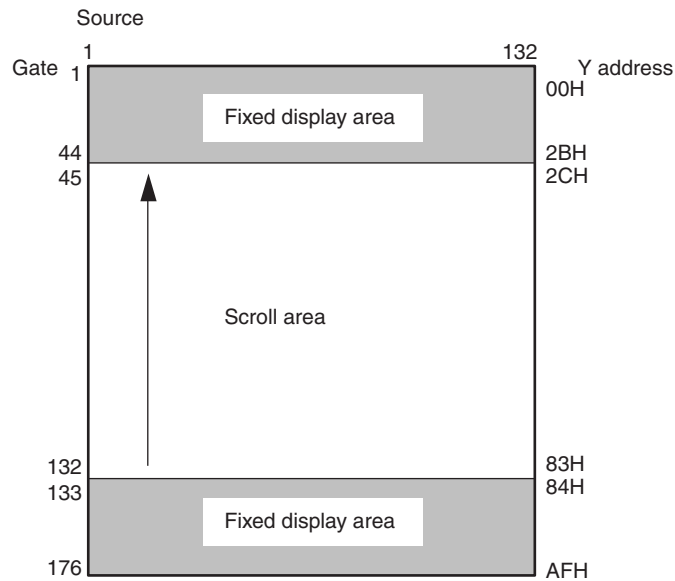
Caution This sequence is shown only for the purpose of illustrating the command sequence, and is not meant for use in mass-production design.

(4) Scroll function example

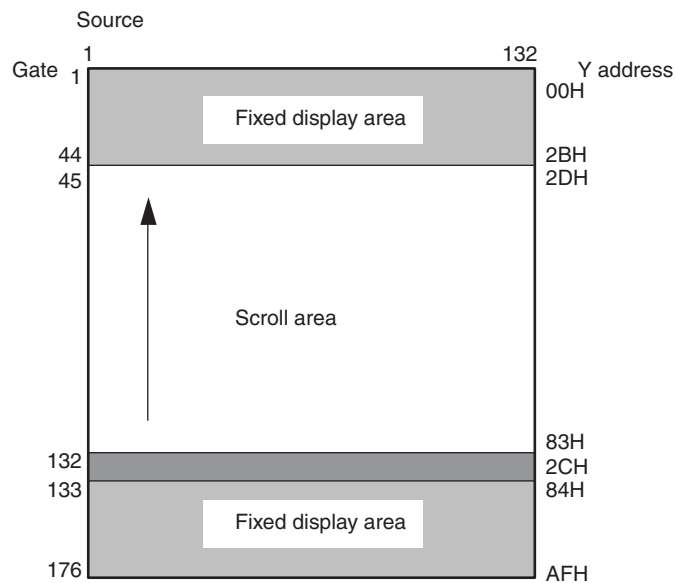
Scroll area start line register (R15): 2CH

Scroll area line count register (R16): 58H

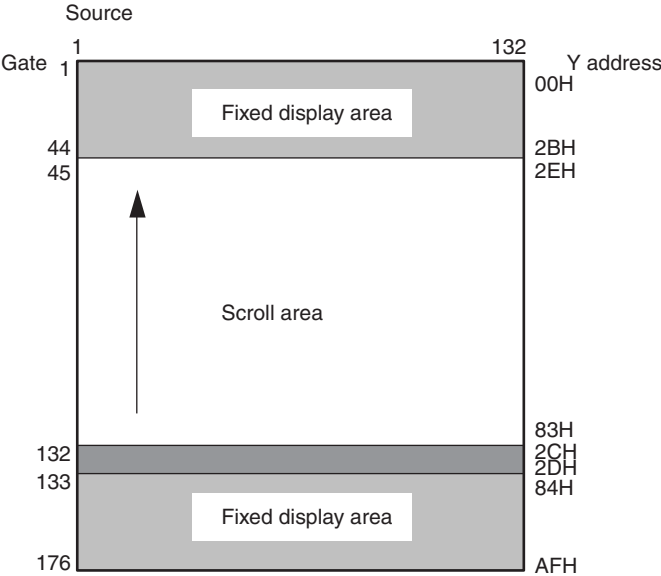
(a) Scroll step count register setting (R17): 00H



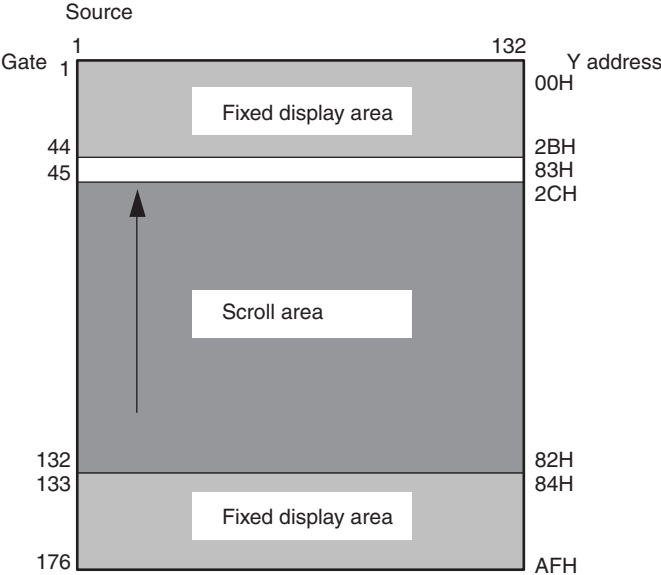
(b) Scroll step count register setting (R17): 01H



(c) Scroll step count register setting (R17): 02H



(d) Scroll step count register setting (R17): 57H



5.12 Stand-by

The μ PD161622 has a stand-by function. Input of a stand-by command is acknowledged when the STBY bit of the control register 1 (R0) is set to 1.

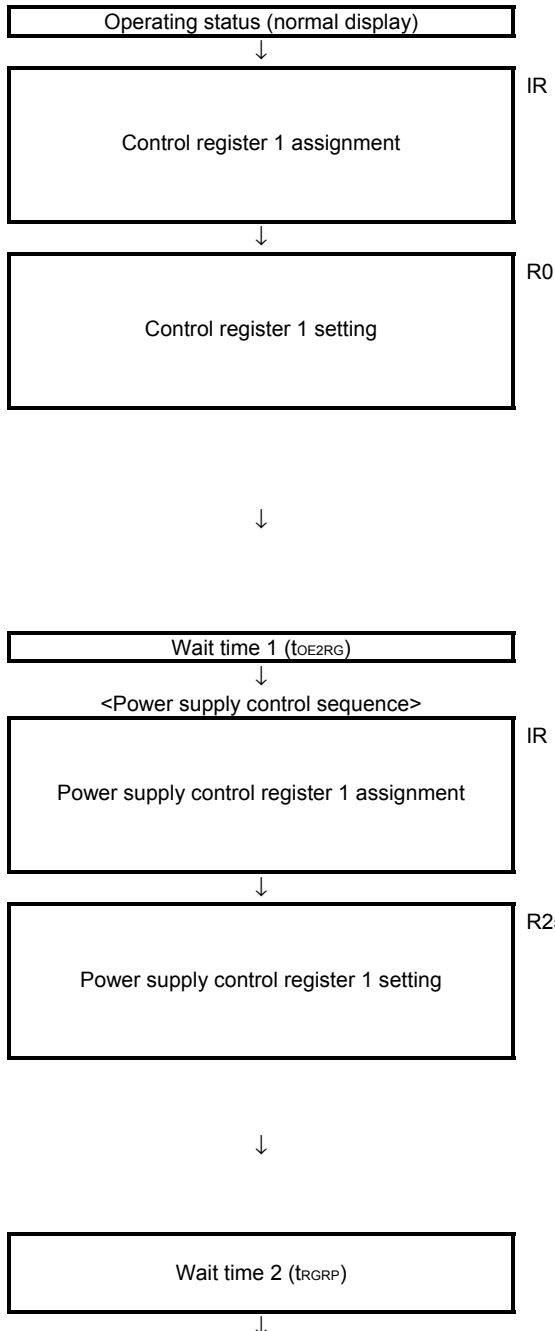
When the stand-by command has been input, the μ PD161622 is forcibly placed in the V_{ss} display status, and scans the frame being display to the end. When scanning is complete, all gate outputs are turned on, the charge of the pixel on the TFT panel is decreased to 0, and the output stage amplifier and internal oscillator are stopped.

The stand-by function is valid for only the source driver IC; the gate IC (μ PD161640) and power IC (μ PD161660) connected to the μ PD161622 are not controlled by this function.

After executing the stand-by command, therefore, execute commands that turn off the regulator for the gate IC and power IC and turn off the DC/DC converter.

When the stand-by status is released, turn on the DC/DC converter and the regulator of the gate IC and power IC, and then issue an ordinary operation command (STBY = 0), in the reverse order to which the stand-by command was input.

(1) Stand-by sequence



D₆ to D₀ Index register

RS	D ₁₅							D ₈
	D ₇							D ₀
L	X	X	X	X	X	X	X	X
	X	0	0	0	0	0	0	0

D₇ to D₀ Control register 1

RS	D ₁₅							D ₈
	D ₇							D ₀
H	X	X	X	X	X	X	X	X
	X	X	D ₅	0	1	0	0	0

D₇: Don't care
 D₆: Don't care
 D₄: Normal display mode (not partial display mode)
 D₃: Stand-by ON
 D₂: 65,000-color display mode
 D₁: Normal power mode
 D₅ is set in accordance with the usage conditions.
 The source output is automatically fixed to the V_{SS} level by stand-by, so D₇ and D₆ can be set to any value.
 At least one frame period

D₅ to D₀ Index register

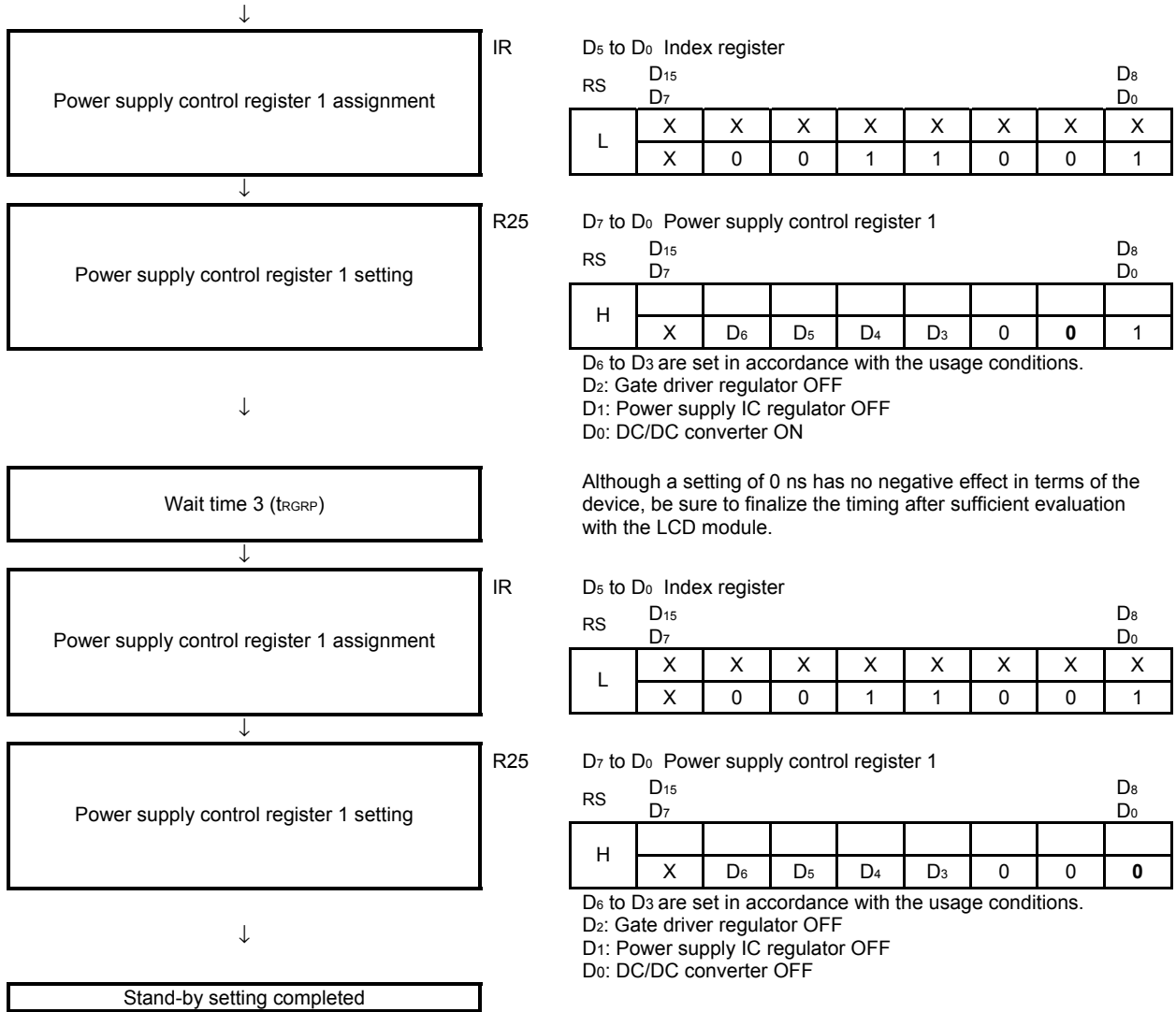
RS	D ₁₅							D ₈
	D ₇							D ₀
L	X	X	X	X	X	X	X	X
	X	0	0	1	1	0	0	1

D₇ to D₀ Power supply control register 1

RS	D ₁₅							D ₈
	D ₇							D ₀
H								
	X	D ₆	D ₅	D ₄	D ₃	0 ^{Note}	1	1

D₆ to D₃ are set in accordance with the usage conditions.
 D₂: Gate driver regulator OFF
 D₁: Power supply IC regulator ON
 D₀: DC/DC converter ON
Note This setting can be deleted from the sequence when using an IC with no regulator circuit for the gate driver.

Although a setting of 0 ns has no negative effect in terms of the device, be sure to finalize the timing after sufficient evaluation with the LCD module.



Caution This sequence is shown only for the purpose of illustrating the command sequence, and is not meant for use in mass-production design.

(2) Stand-by release sequence

Stand-by status



Control register 1 assignment

IR

D₆ to D₀ Index register

L	X	X	X	X	X	X	X	X
	X	0	0	0	0	0	0	0



Control register 1 setting

R0

D₇ to D₀ Control register 1

H	X	X	X	X	X	X	X	X
	1	0	D ₅	0	0	0	0	0



<Power supply control sequence>

Power supply control register 1 assignment

IR

D₅ to D₀ Index register

L	X	X	X	X	X	X	X	X
	X	0	0	1	1	0	0	1



Power supply control register 1 setting

R25

D₇ to D₀ Power supply control register 1

H								
	X	D ₆	D ₅	D ₄	D ₃	0	0	1



Wait time 1 (t_{DDRP})



Power supply control register 1 assignment

IR

D₅ to D₀ Index register

L	X	X	X	X	X	X	X	X
	X	0	0	1	1	0	0	1



Power supply control register 1 setting

R25

D₇ to D₀ Power supply control register 1

H								
	X	D ₆	D ₅	D ₄	D ₃	0	1	1

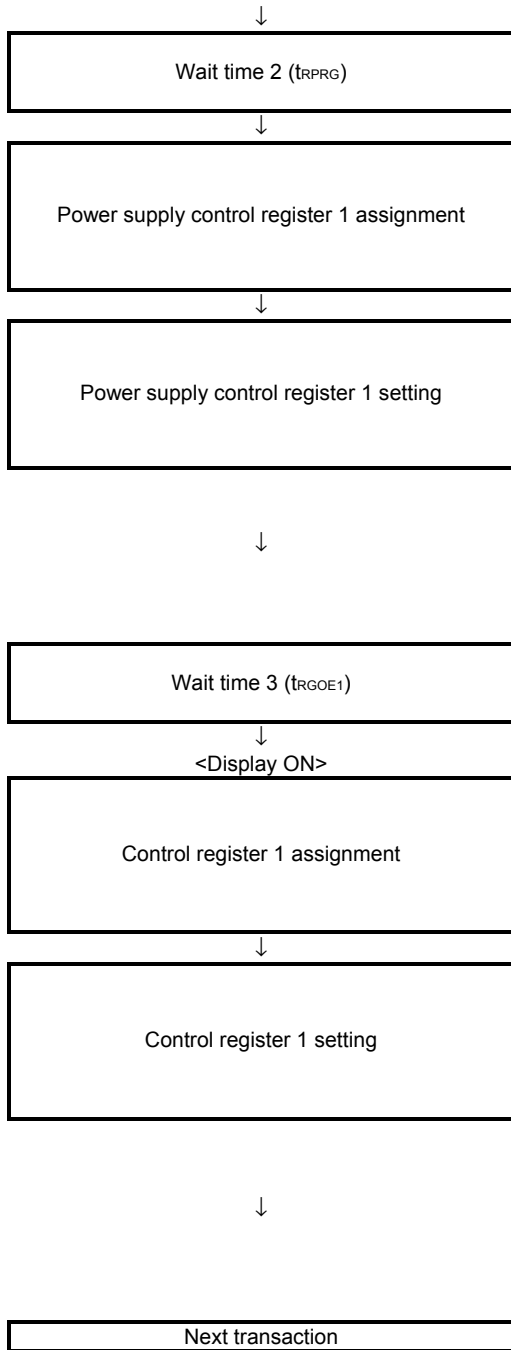


D₇: All data "1" output (normally white: white output)
 D₆: Normal display
 D₄: Normal display mode (not partial display mode)
 D₃: Normal mode (stand-by release)
 D₂: 65,000-color display mode
 D₁: Normal power mode
 D₅ is set in accordance with the usage conditions.

D₆ to D₃ are set in accordance with the usage conditions.
 D₂: Gate driver regulator OFF
 D₁: Power supply IC regulator OFF
 D₀: DC/DC converter ON

t_{DDRP} is the output stable period of the DC/DC converter.
 Although a setting of about 50 mS is the target, be sure to finalize the timing after sufficient evaluation with the LCD module.

D₆ to D₃ are set in accordance with the usage conditions.
 D₂: Gate driver regulator OFF
 D₁: Power supply IC regulator ON
 D₀: DC/DC converter ON



t_{RPRG} is the output stable period of the DC/DC converter. Although a setting of about 20 mS is the target, be sure to finalize the timing after sufficient evaluation with the LCD module.

IR

D₅ to D₀ Index register

RS	D ₁₅							D ₈
	D ₇							D ₀
L	X	X	X	X	X	X	X	X
	X	0	0	1	1	0	0	1

R25

D₇ to D₀ Power supply control register 1

RS	D ₁₅							D ₈
	D ₇							D ₀
H								
	X	D ₆	D ₅	D ₄	D ₃	1 ^{Note}	1	1

D₆ to D₃ are set in accordance with the usage conditions.

D₂: Gate driver regulator ON

D₁: Power supply IC regulator ON

D₀: DC/DC converter ON

Note This setting can be deleted from the sequence when using an IC with no regulator circuit for the gate driver.

Input DISP ON command after all power supply is set up. Although a setting of about 1 mS is the target in t_{RPRG} , be sure to finalize the timing after sufficient evaluation with the LCD module.

IR

D₆ to D₀ Index register

RS	D ₁₅							D ₈
	D ₇							D ₀
L	X	X	X	X	X	X	X	X
	X	0	0	0	0	0	0	0

R0

D₇ to D₀ Control register 1

RS	D ₁₅							D ₈
	D ₇							D ₀
H	X	X	X	X	X	X	X	X
	0	0	D ₅	0	0	0	0	0

D₇: Normal display (all data "1" output → display ON)

D₆: Normal display

D₄: Normal display mode (not partial display mode)

D₃: Normal mode (stand-by release)

D₂: 65,000-color display mode

D₁: Normal power mode

D₅ is set in accordance with the usage conditions.

Caution This sequence is shown only for the purpose of illustrating the command sequence, and is not meant for use in mass-production design.

5.13 8-Color Display Mode

The μPD161622 contains an 8-color display function for low-power-consumption driving. The mode can be switched to 8-color display mode by setting COLOR in control register 1 (R0) to 1.

As shown in the figure below, in 8-color display mode, the μPD161622 controls ON/OFF of each dot using the MSB of each dot data in the display RAM. It is therefore necessary to overwrite the display RAM data in accordance with the screen of each mode when changing from 65,000-color display mode to 8-color mode, and vice versa.

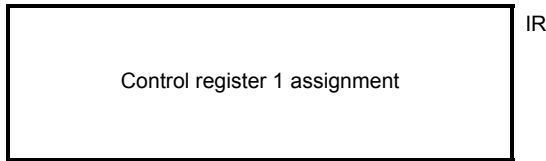
In 8-color display mode, each source output is connected by switching the top and bottom grayscale voltages to enable direct driving of the TFT panel, which results in low power consumption.

Figure 5–30.

D ₁₅	D ₁₄	D ₁₃	D ₁₂	D ₁₁	D ₁₀	D ₉	D ₈	D ₇	D ₆	D ₅	D ₄	D ₃	D ₂	D ₁	D ₀
Valid	Invalid	Invalid	Invalid	Invalid	Valid	Invalid	Invalid	Invalid	Invalid	Invalid	Valid	Invalid	Invalid	Invalid	Invalid
Dot 1					Dot 2						Dot 3				
1 pixel (= 1 x address)															

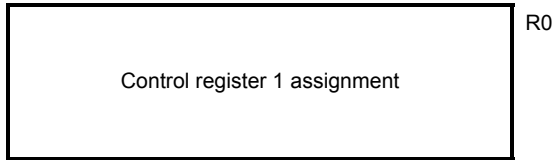
(1) 8-color display mode setting sequence example

Previous statement (65,000-color display mode)



D₆ to D₀ Index register

RS	D ₁₅							D ₈	
	D ₇							D ₀	
L	X	X	X	X	X	X	X	X	
	X	0	0	0	0	0	0	0	

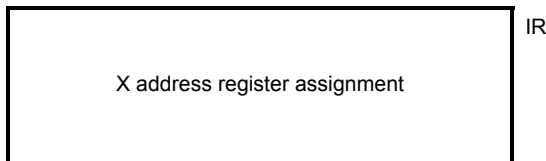


D₇ to D₀ Control register 1

RS	D ₁₅							D ₈	
	D ₇							D ₀	
H	X	X	X	X	X	X	X	X	
	0	1	D ₅	0	0	0	0	0	

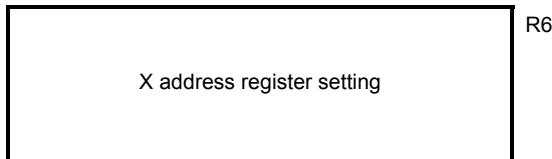
↓

<Data overwrite sequence>



D₆ to D₀ Index register

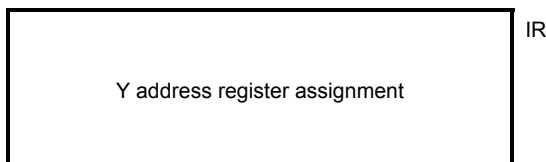
RS	D ₁₅							D ₈	
	D ₇							D ₀	
L	X	X	X	X	X	X	X	X	
	X	0	0	0	0	1	1	0	



D₇ to D₀ X address register

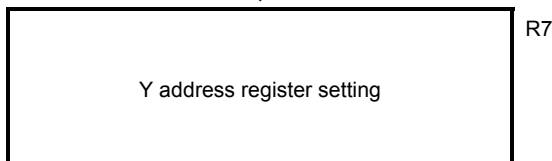
RS	D ₁₅							D ₈	
	D ₇							D ₀	
H	X	X	X	X	X	X	X	X	
	0	0	0	0	0	0	0	0	

X address: 00H



D₆ to D₀ Index register

RS	D ₁₅							D ₈	
	D ₇							D ₀	
L	X	X	X	X	X	X	X	X	
	X	0	0	0	0	1	1	1	



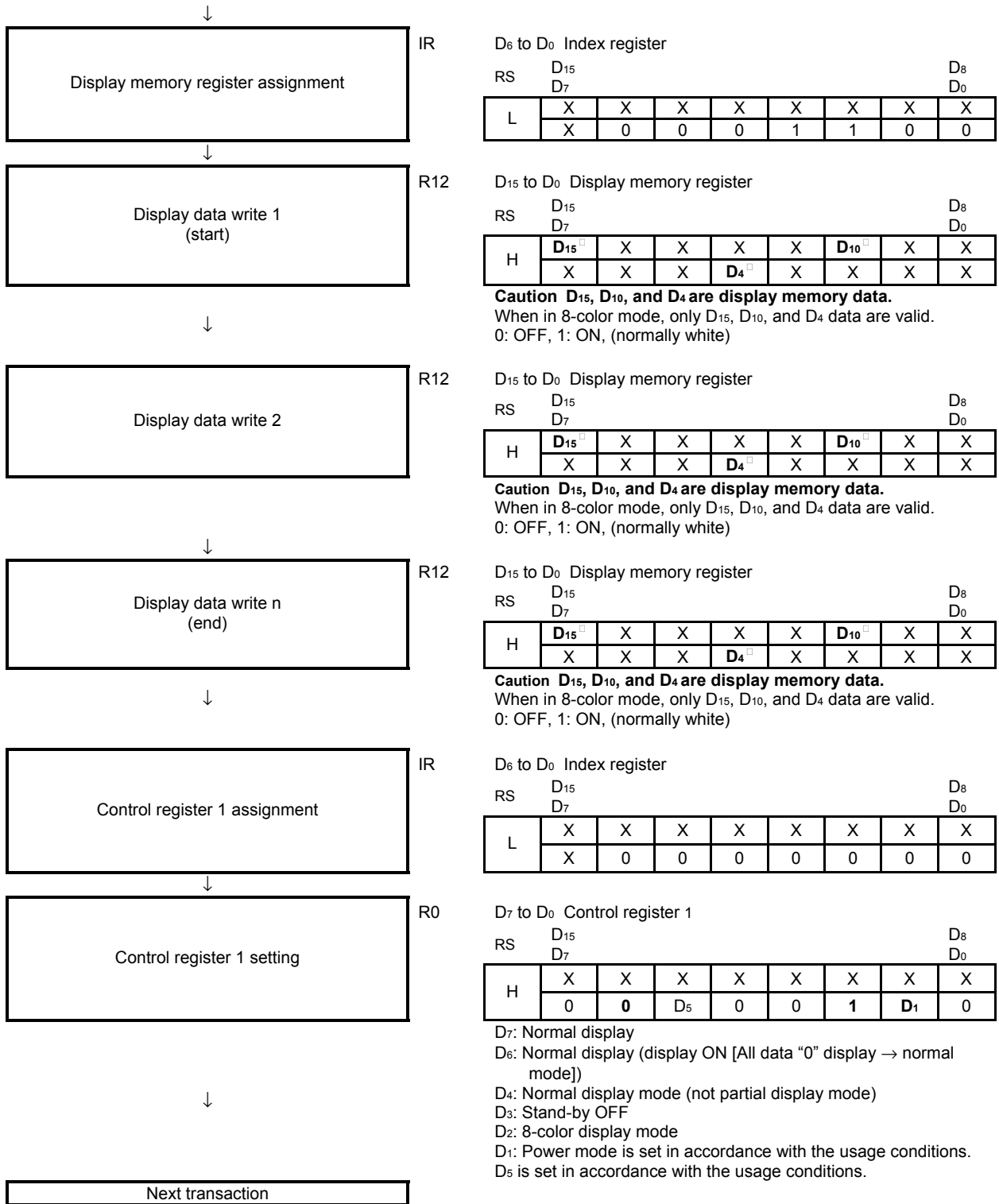
D₇ to D₀ Y address register

RS	D ₁₅							D ₈	
	D ₇							D ₀	
H	X	X	X	X	X	X	X	X	
	0	0	0	0	0	0	0	0	

Y address: 00H

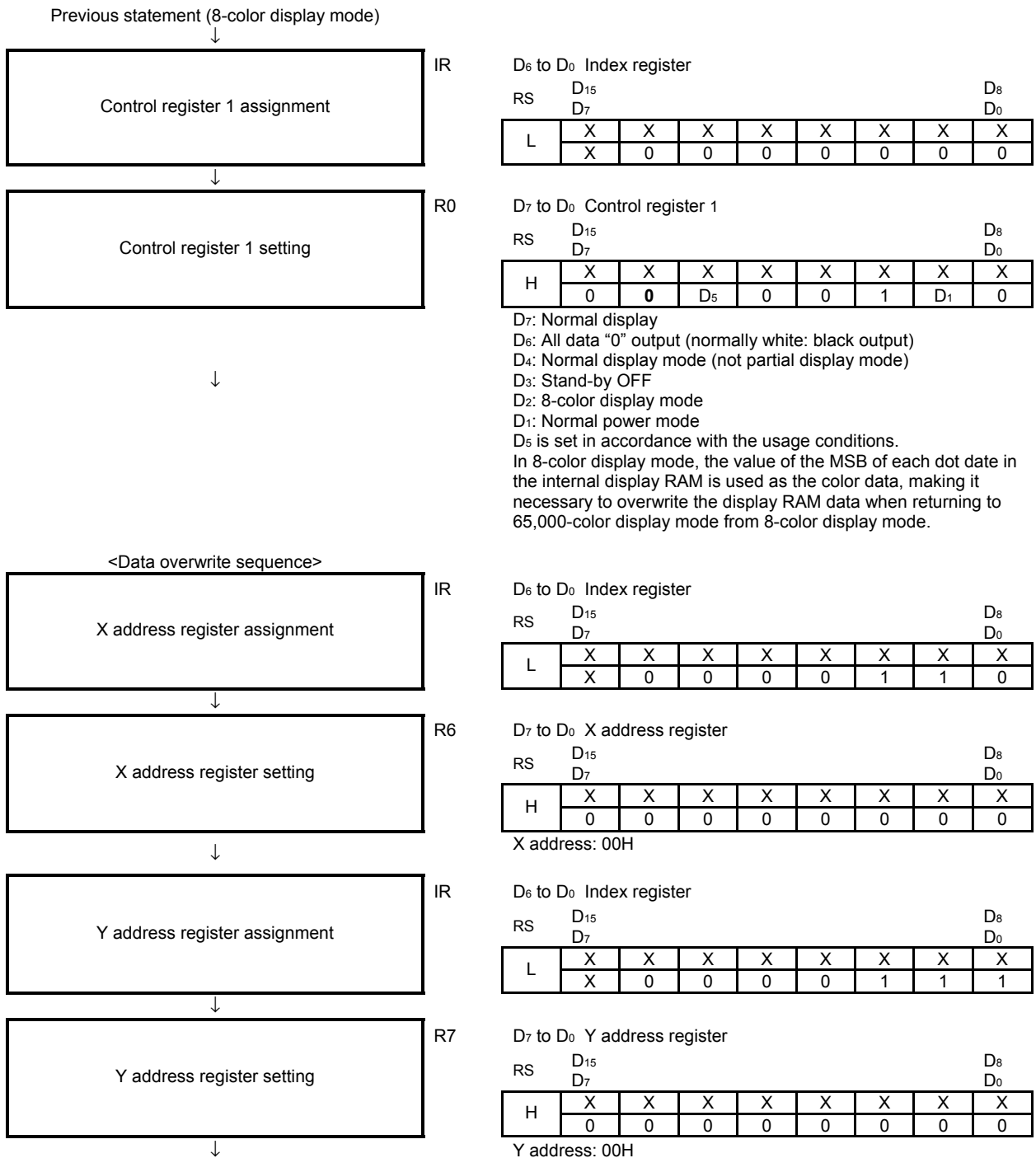
- D₇: Normal display
- D₆: All data "0" output (normally white: black output)
- D₄: Normal display mode (not partial display mode)
- D₃: Stand-by OFF
- D₂: 65,000-color display mode
- D₁: Normal power mode
- D₅ is set in accordance with the usage conditions.

In 8-color display mode, the value of the MSB of each dot data in the internal display RAM is used as the color data, making it necessary to overwrite the display RAM data when changing from 65,000-color display mode to 8-color display mode.

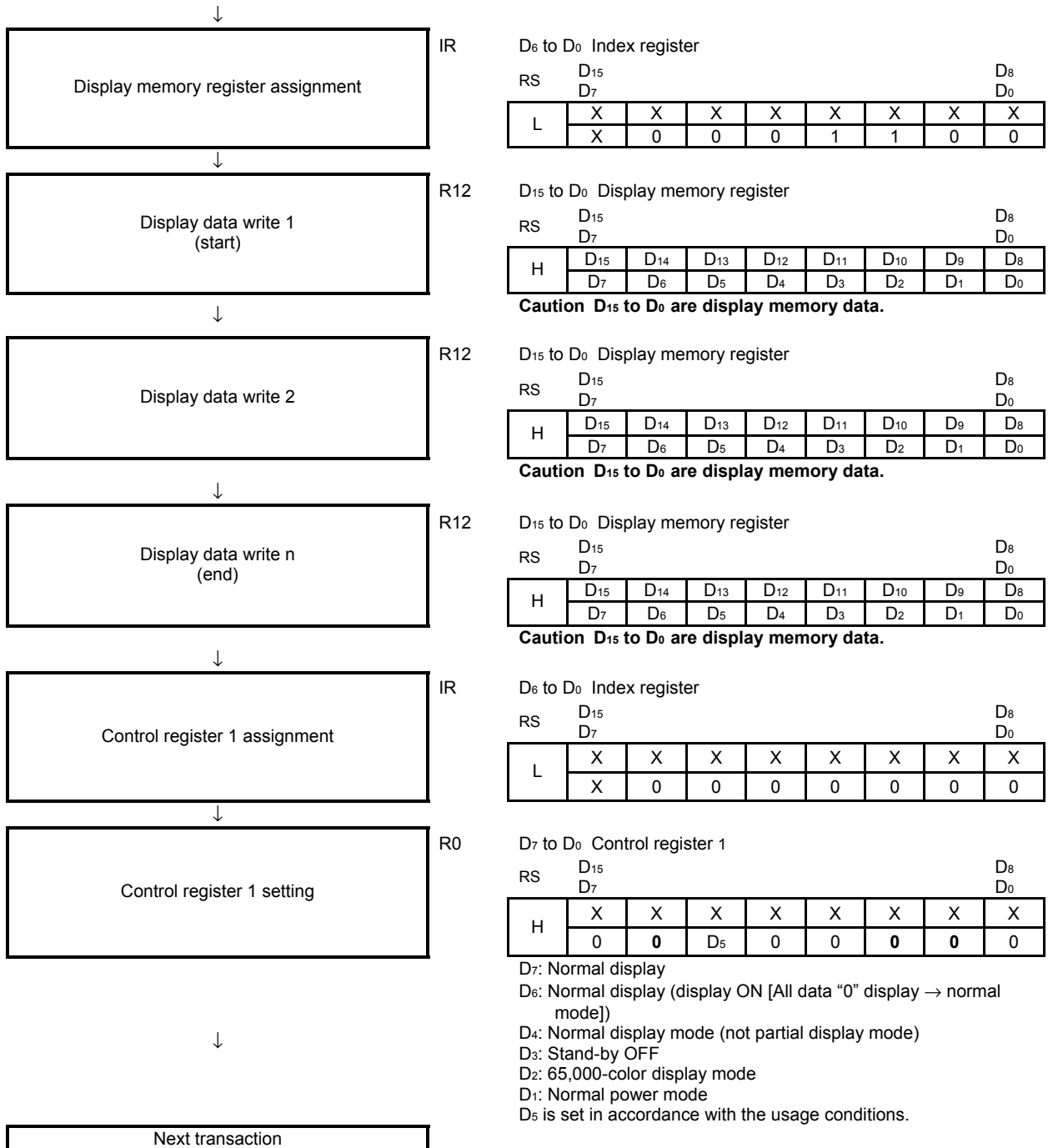


Caution This sequence is shown only for the purpose of illustrating the command sequence, and is not meant for use in mass-production design.

(2) Returning to 65,000-color display mode sequence



D₇: Normal display
 D₆: All data "0" output (normally white: black output)
 D₄: Normal display mode (not partial display mode)
 D₃: Stand-by OFF
 D₂: 8-color display mode
 D₁: Normal power mode
 D₅ is set in accordance with the usage conditions.
 In 8-color display mode, the value of the MSB of each dot data in the internal display RAM is used as the color data, making it necessary to overwrite the display RAM data when returning to 65,000-color display mode from 8-color display mode.

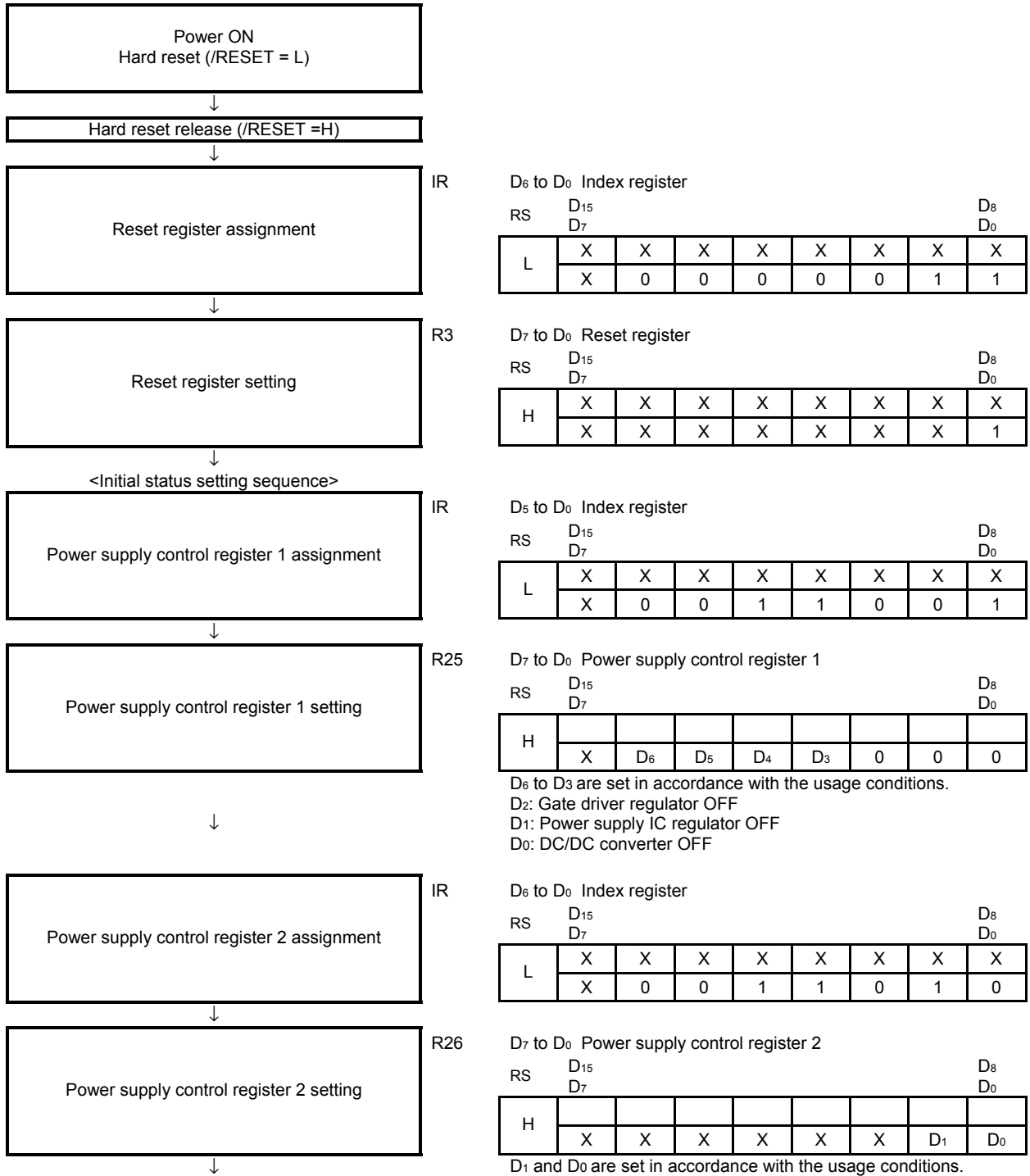


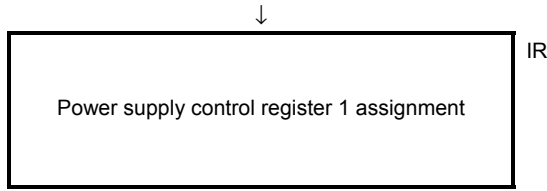
Caution This sequence is shown only for the purpose of illustrating the command sequence, and is not meant for use in mass-production design.

5.14 Power ON/OFF

An example of the standard power ON/OFF sequence in a chipset for driving a TFT-LCD panel that uses μPD61622 is shown below. Note that this sequence differs depending on the chipset configuration and TFT-LCD panel used.

(1) Power ON sequence





IR D₆ to D₀ Index register

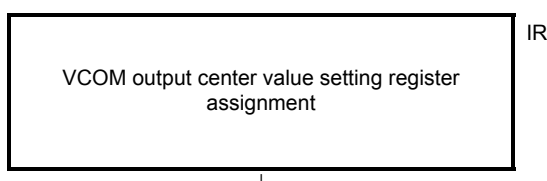
RS	D ₁₅							D ₈
	D ₇							D ₀
L	X	X	X	X	X	X	X	X
	X	0	0	1	1	0	0	1



R25 D₇ to D₀ Power supply control register 1

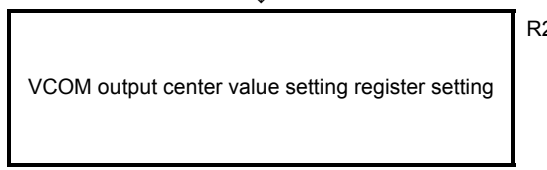
RS	D ₁₅							D ₈
	D ₇							D ₀
H	X	X	X	X	X	X	X	X
	X	D ₆	D ₅	D ₄	D ₃	1	1	1

D₆ to D₃ are set in accordance with the usage conditions.
 D₂: Gate driver regulator ON
 D₁: Power supply IC regulator ON
 D₀: DC/DC converter ON



IR D₆ to D₀ Index register

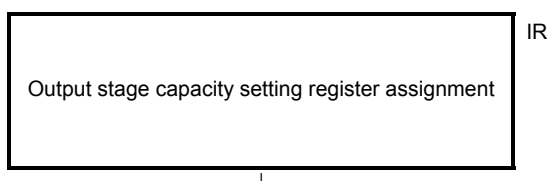
RS	D ₁₅							D ₈
	D ₇							D ₀
L	X	X	X	X	X	X	X	X
	X	0	0	1	1	1	0	1



R29 D₇ to D₀ Power supply control register 1

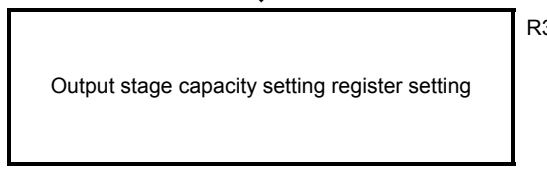
RS	D ₁₅							D ₈
	D ₇							D ₀
H	X	X	X	X	X	X	X	X
	X	D ₆	D ₅	D ₄	D ₃	1	1	1

D₇ to D₃ are set in accordance with the usage conditions.
 This register setting is not required when VCOMC (D₃) of the output stage capacity setting register (R30) is 0.



IR D₆ to D₀ Index register

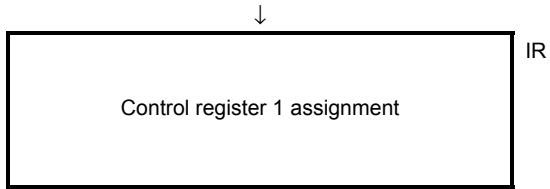
RS	D ₁₅							D ₈
	D ₇							D ₀
L	X	X	X	X	X	X	X	X
	X	0	0	1	1	1	1	0



R30 D₇ to D₀ Power supply control register 1

RS	D ₁₅							D ₈
	D ₇							D ₀
H	X	X	X	X	X	X	X	X
	0	D ₆	D ₅	D ₄	0	D ₂	D ₁	D ₀

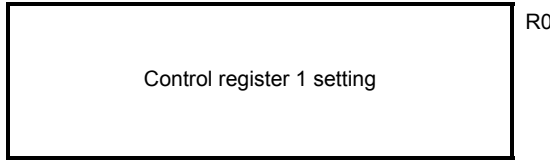
D₇: g-correction circuit reference voltage generation amplifier drive/normal
 D₃: VCOM amplifier operation (when in used)
 D₆ to D₄ are set in accordance with the usage conditions (capacity setting for COMMON center value setting amplifier (VCOM)).
 D₂ to D₀ are set in accordance with the usage conditions (source output capacity setting).



IR

D₆ to D₀ Index register

RS		D ₁₅						D ₈	D ₀
		D ₇							
L	X	X	X	X	X	X	X	X	
	X	0	0	0	0	0	0	0	



R0

D₇ to D₀ Control register 1

RS		D ₁₅						D ₈	D ₀
		D ₇							
H	X	X	X	X	X	X	X	X	
	1	0	D ₅	0	0	0	0	0	

D₇: All data "1" output (normally white: white output)

D₆: Normal display

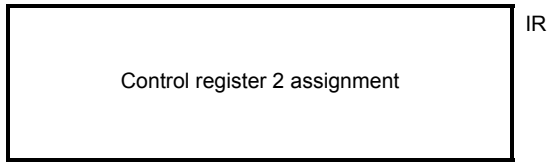
D₄: Normal display mode (not partial display mode)

D₃: Stand-by OFF

D₂: 65,000-color display mode

D₁: Normal power mode

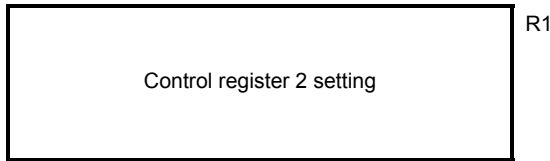
D₅ is set in accordance with the usage conditions.



IR

D₆ to D₀ Index register

RS		D ₁₅						D ₈	D ₀
		D ₇							
L	X	X	X	X	X	X	X	X	
	X	0	0	0	0	0	0	1	



R1

D₇ to D₀ Control register 2

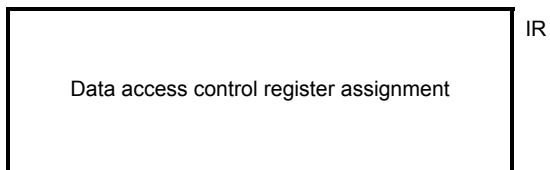
RS		D ₁₅						D ₈	D ₀
		D ₇							
H	X	X	X	X	X	X	X	X	
	X	X	D ₅	D ₄	0	0	0	0	

D₁: 1 line time = t_{cal} (normal setting)

D₀: Line inversion driving

D₅ and D₄ are set in accordance with the usage conditions.

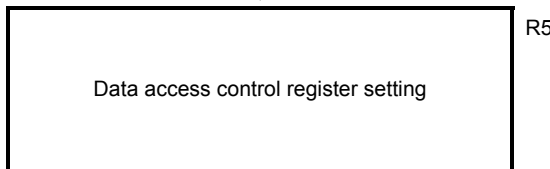
Caution Always write 0 to D₃ and D₂.



IR

D₆ to D₀ Index register

RS		D ₁₅						D ₈	D ₀
		D ₇							
L	X	X	X	X	X	X	X	X	
	X	0	0	0	0	1	0	1	



R5

D₇ to D₀ Data access control register

RS		D ₁₅						D ₈	D ₀
		D ₇							
H	X	X	X	X	X	X	X	X	
	0	0	0	0	0	0	0	0	

D₇: 16-bit data bus

D₆: Normal write mode

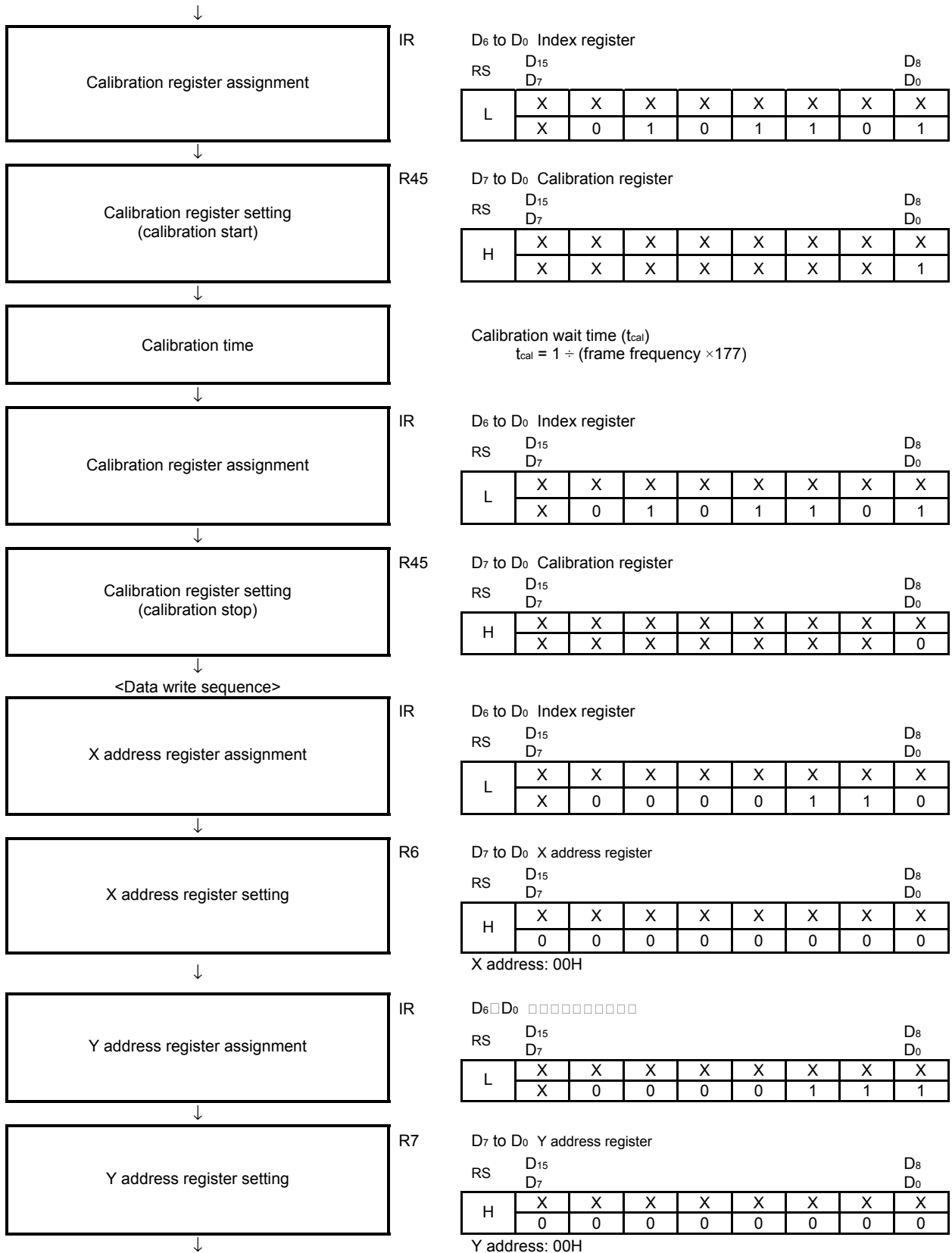
D₄: Normal operation (not window access mode)

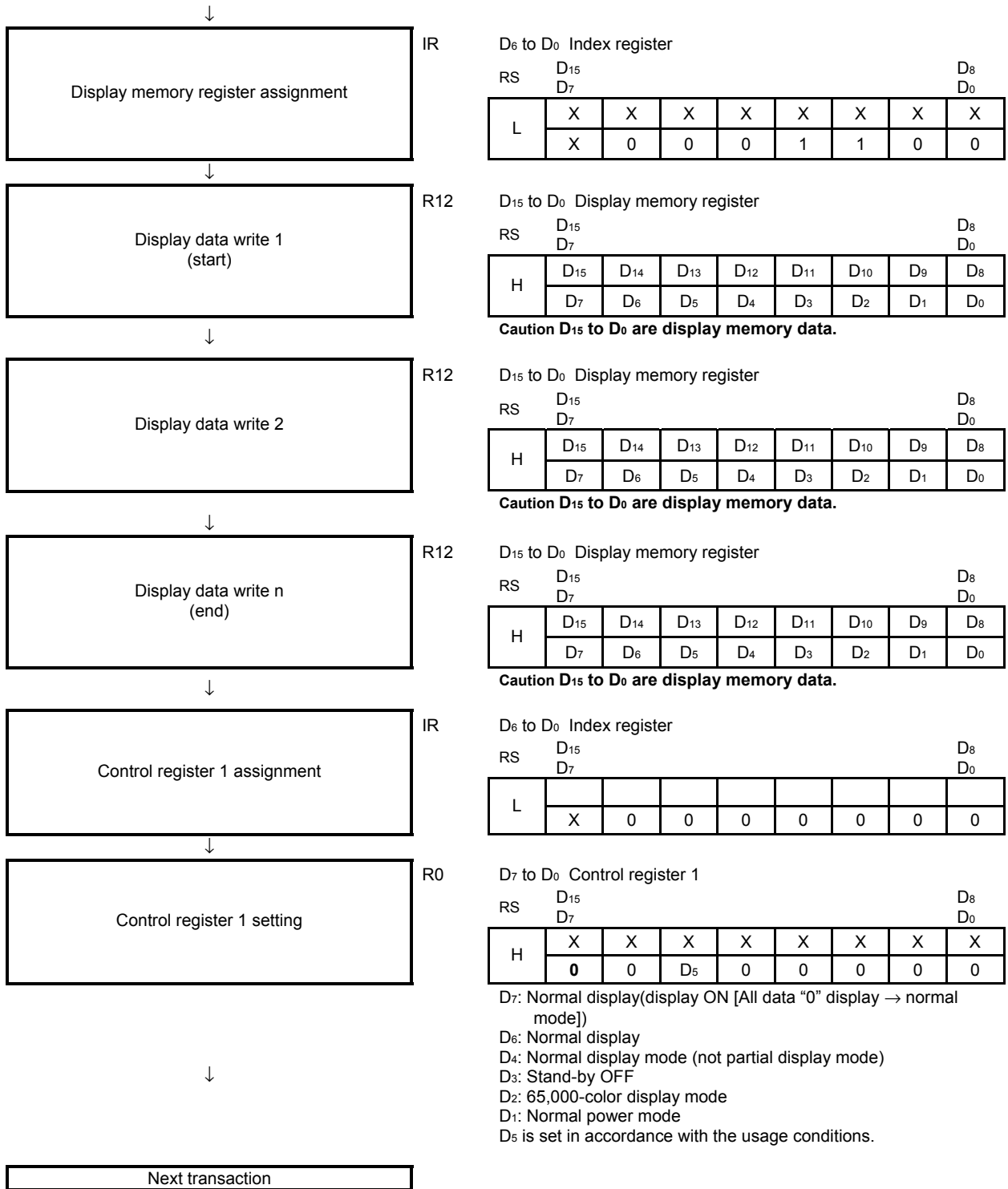
D₂: Access to X address direction

D₁: X address increment

D₀: Y address increment

Caution Always write 0 to D₅ and D₃.





Caution This sequence is shown only for the purpose of illustrating the sequence from power application to display ON, and is not meant for use in mass production design. Note also that this sequence differs depending on the configuration of the chipset and TFT-LCD module

(2) Power OFF sequence

Operating status (normal display)

Control register 1 assignment

IR

D₆ to D₀ Index register

RS	D ₁₅								D ₈
	D ₇								D ₀
L	X	X	X	X	X	X	X	X	X
	X	0	0	0	0	0	0	0	0

Control register 1 setting

R0

D₇ to D₀ Control register 1

RS	D ₁₅								D ₈
	D ₇								D ₀
H	X	X	X	X	X	X	X	X	X
	X	X	D ₅	0	1	0	0	0	0

D₇: Don't care
 D₆: Don't care
 D₄: Normal display mode (not partial display mode)
 D₃: Stand-by ON
 D₂: 65,000-color display mode
 D₁: Normal power mode
 D₅ is set in accordance with the usage conditions.
 The source output is automatically fixed to the V_{SS} level by stand-by, so D₇ and D₆ can be set to any value.

Wait time 1 (t_{OE2RG})

<Power supply control sequence>

Power supply control register 1 assignment

IR

D₅ to D₀ Index register

RS	D ₁₅								D ₈
	D ₇								D ₀
L	X	X	X	X	X	X	X	X	X
	X	0	0	1	1	0	0	0	1

Power supply control register 1 setting

R25

D₇ to D₀ Power supply control register 1

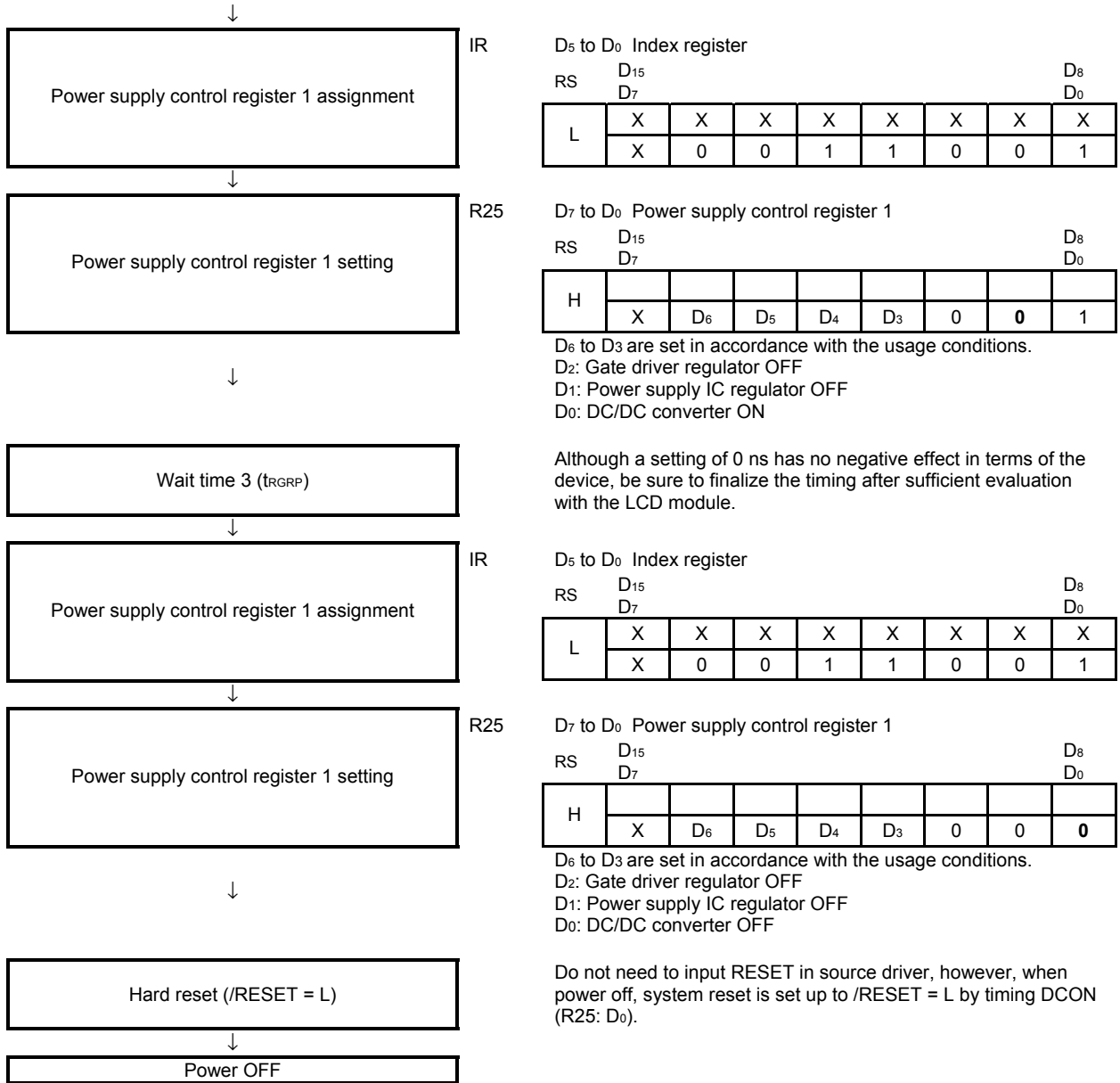
RS	D ₁₅								D ₈
	D ₇								D ₀
H									
	X	D ₆	D ₅	D ₄	D ₃	0 ^{Note}	1	1	

D₆ to D₃ are set in accordance with the usage conditions.
 D₂: Gate driver regulator OFF
 D₁: Power supply IC regulator ON
 D₀: DC/DC converter ON

Note This setting can be deleted from the sequence when using an IC with no regulator circuit for the gate driver.

Wait time 2 (t_{RGRP})

Although a setting of 0 ns has no negative effect in terms of the device, be sure to finalize the timing after sufficient evaluation with the LCD module.



Caution This sequence is shown only for the purpose of illustrating the sequence up to when the power is turned off, and is not meant for use in mass-production design. Note also that this sequence differs depending on the configuration of the chipset and TFT-LCD module.

6. RESET

If the /RESET input becomes L or the reset command is input, the internal timing generator is initialized. The reset command will also initialize each register to its default value. These default values are listed in the table below.

Register	Rn	/RESET Pin ^{Note1}	Reset Command	Default Value
Index register	IR	X	O	00H
Control register 1	R0	X	O	00H
Control register 2	R1	X	O	00H
Data access control register	R5	X	O	00H
X address register	R6	X	O	00H
Y address register	R7	X	O	00H
MIN. X address register	R8	X	O	00H
MAX. X address register	R9	X	O	00H
MIN. Y address register	R10	X	O	00H
MIN. Y address register	R11	X	O	00H
Display memory register ^{Note2}	R12	X	X	-
Scroll area start line register	R15	X	O	00H
Scroll area line count register	R16	X	O	00H
Scroll step count register	R17	X	O	00H
Partial off area color register	R19	X	O	00H
Partial 1 display area start line register	R20	X	O	00H
Partial 2 display area start line register	R21	X	O	00H
Partial 1 display area line count register	R22	X	O	00H
Partial 2 display area line count register	R23	X	O	00H
Power supply control register 1	R25	X	O	00H
Power supply control register 2	R26	X	O	00H
VCOM output center value setting register	R29	X	O	00H
Output stage capacity setting register	R30	X	O	00H
γreference-voltage generator capacity setting register	R31	X	O	00H
γcontrast value setting register 1	R36	X	O	00H
γcontrast value setting register 2	R37	X	O	00H
γcontrast value setting register 3	R38	X	O	00H
γcontrast value setting register 4	R39	X	O	00H
Pre-charge direction setting data register	R40	X	O	00H
γcorrection input disconnect register	R42	X	O	00H
Calibration register ^{Note 3}	R45	X	O	00H
Pre-charge period supplement pulse setting register	R46	X	O	06H
Output port register	R49	X	O	00H
Input port register	R50	X	O	00H
Interface operating voltage setting register	R114	X	O	00H
Internal logic operating voltage setting register	R115	X	O	00H
Test mode		X	O	00H

Remark O: Default value set, X: Default value not set

- Notes**
1. The internal counters are initialized only by a reset from the /RESET pin. Be sure to perform reset via the /RESET pin at power application.
 2. The contents of RAM are saved in the case of both reset by /RESET pin and reset by reset command. Note that the RAM contents are undefined immediately after the power is turned on.
 3. The following value is set as the calibration setting time, t_{cal} , in a reset by reset command.
 $t_{cal} = 1/f_{osc} \times 37$

7. COMMAND

The μPD161622 identifies data bus signals by a combination of the RS, /RD (E), and /WR (R,/W) signals. It interprets and executes commands only in accordance with the internal timing, without being dependent upon the external clock. Therefore, the processing speed is extremely high and, usually, no busy check is necessary.

An i80 system CPU interface inputs a low pulse to the /RD pin when it reads data to issue a command. It inputs a low pulse to the /WR pin when it writes data.

Data can be read from an M68 system CPU interface if a high-pulse signal is input to the R,/W pin, and written if a low-pulse signal is input to the R,/W pin. A command is executed if a high-pulse signal is input to the E pin in this status. Therefore, in the explanation of the commands and display commands after 7.2 Control Register 1 (R0) and the sections that follow, the M68 system CPU interface uses H, instead of /RD (E), when reading status or display data. This is how it differs from the i80 system CPU interface.

The commands of the μPD161622 are explained below, taking an i80 system CPU interface as an example. When the serial interface is used, sequentially input data to the μPD161622, starting from D7.

The data bus length to input commands is as follows:

- Commands other than those that manipulate the display memory register (R12) are input in one byte unit, regardless of the value of BMD (control register 2 (R1), bus length setting).
- The commands that manipulate the display memory register (R12) are input in 1-byte units when BMD = 1, or in 2-byte units when BMD = 0.

(1) Commands other than those that manipulate display memory register (R12)

BMD = 1 (8-bit data bus)

Pin	D7	D6	D5	D4	D3	D2	D1	D0
DATA	D7	D6	D5	D4	D3	D2	D1	D0

BMD = 0 (16-bit data bus)

Pin	D15	D14	D13	D12	D11	D10	D9	D8	D7	D6	D5	D4	D3	D2	D1	D0
DATA	Note	Note	Note	Note	Note	Note	Note	Note	D7	D6	D5	D4	D3	D2	D1	D0

Note 0 or 1

(2) Display Memory Register (R12)

BMD = 1 (8-bit data bus)

Pin	D7	D6	D5	D4	D3	D2	D1	D0
DATA	D7	D6	D5	D4	D3	D2	D1	D0

BMD = 0 (16-bit data bus)

Pin	D15	D14	D13	D12	D11	D10	D9	D8	D7	D6	D5	D4	D3	D2	D1	D0
DATA	D15	D14	D13	D12	D11	D10	D9	D8	D7	D6	D5	D4	D3	D2	D1	D0

7.2 Command Explanation

(1/9)

Resistor	Bit	Symbol	Function
R0	D ₇	DISP1	<p>This command performs the same output as when all data is 1, independently of the internal RAM data (white display in the case of normally white).</p> <p>This command is executed, after it has been transferred, when the next line is output.</p> <p>0: Normal operation 1: Ignores data of RAM and outputs all data as 1.</p> <p>DISP1 takes precedence over DISP0. When DISP1 = H, DISP0 = H is ignored.</p>
	D ₆	DISP0	<p>This command performs the same output as when all data is 0, independently of the internal RAM data (black display in the case of normally white).</p> <p>This command is executed, after it has been transferred, when the next line is output.</p> <p>0: Normal operation 1: Ignores data of RAM and outputs all data as 0.</p>
	D ₅	ADC	<p>Column address direction</p> <p>This command can be used to select the direction of source driver output. For more detail, refer to 5.2.3 Column address circuit</p>
	D ₄	DTY	<p>This pin selects the partial function.</p> <p>When partial display mode is selected, partial off area color is displayed by setting partial off area color register (R19).</p> <p>The power consumption cannot be reduced with the partial function. To reduce the power consumption, select the 8-color mode.</p> <p>This command is executed following transfer from the time the next line data is output.</p> <p>0: Normal display mode 1: Partial display mode</p>
	D ₃	STBY	<p>This bit selects the stand-by function. When the stand-by function is selected, a display OFF operation is executed and the amplifiers at each output stage and the operation of internal oscillation circuit are stopped.</p> <p>However, stand-by control cannot be performed for the gate IC (μ PD161640) connected to μ PD161622 and the power-supply IC (μ PD161660). Therefore, after executing the stand-by function using this bit, set both the regulator for the gate IC and power-supply IC to off and set the DC/DC converter to OFF. For the sequence, refer to the preliminary product information machine of the μ PD161660.</p> <p>Note that when releasing stand-by, perform the opposite operation, i.e., after setting the DC/DC converter to ON and setting the regulators of the gate IC and power-supply IC to ON, execute the normal operation command.</p> <p>0: Normal operation 1: Stand-by function (display read off from RAM, stop both OSC and VCOM, display OFF = entire data is output as 1)</p>
D ₂	COLOR	<p>This pin switches the 65,000-color mode and the 8-color mode. When the 8-color mode is selected, low power supply can be selected in order to stop the amplifier at each output stage.</p> <p>In the 8-color mode, the value of the MSB of the internal RAM data is used as the color data.</p> <p>This command is executed following transfer from the time the next line data is output.</p> <p>0: 65,000-color mode (16 bits/pixels) 1: 8-color mode (3 bits/pixels)</p>	

Resistor	Bit	Symbol	Function
R0	D ₁	LPM	This bit is used when setting the gate IC (μ PD161640) and power-supply IC (μ PD161660) to the low-power mode. When the low-power mode is selected, the LPMG pin and the LPMP pin signals change from low to high (output changes immediately following command execution.). The LPMG pin must be connected to the LPM pin of the gate IC, and the LPMP pin must be connected to the LPM pin of the power-supply IC. 0: Normal 1: Low power mode
	D ₀	GSM	Sets output of the gate scanning signal during partial display. When 1 is selected, gate scanning of the line set in the partial non-display area is stopped. 0: Normal mode 1: Stops gate scanning in partial non-display area
R1	D ₅	VSEL	Sets the potential of the pre-charge output of the LCD driver. The maximum/minimum output potential of the pre-charge output is: 0: Power supply voltage (outputs V _s and V _{ss}) 1: Maximum output level of internal γ-output adjustment circuit (uses VPH, VNH, VPL, VNL) IF VSEL = 0, V _s or V _{ss} is automatically output as the pre-charge output.
	D ₄	GSEL	Sets the maximum/minimum output voltage of the γ-correction resistor. If the internal γ-output adjustment circuit is selected, the maximum/minimum output potential of the γ-correction resistor is: 0: Supply voltage (outputs V _s and V _{ss}). 1: Voltage of internal γ-output adjustment circuit (uses VPH, VNH, VPL, VNL) 8-color mode (3 bits/pixels)
	D ₁	LTS	Selects set time of calibration. The calibration function adjusts the frame frequency by setting time of one line. This command can select the set time of a line from the following: 0: 1 line time = t _{cal} 1: 1 line time = t _{cal} x 2 (t _{cal} : Calibration set time1 = 1 ÷ Frame frequency ÷ Number of displayed lines)
	D ₀	INV	This bit selects between the line inversion function and the frame inversion function. The mode selected by this command is executed from the start of the next scan after the gate scan in progress when this command was executed has completed 176 lines. When the reset command is input, the INV register is initialized. 0: Line inversion with same line. 0: Line inversion 1: Frame inversion
R3	D ₀	CRES	Command reset function. Be sure to execute this bit after power ON. Command reset automatically clears this bit following execution (CRES = 01H). Therefore, it is not necessary to set 0 (select normal operation) again by software. Moreover, since the time required for the value of this bit to change (1 → 0) following command reset execution is extremely short, it is not necessary to secure time until the next command is set following command reset setting. 0: Normal operation 1: Command reset

Resistor	Bit	Symbol	Function
R5	D ₇	BMD	Sets the bus width when the parallel interface is used. 0: 16-bit data bus 1: 8-bit data bus This command is invalid when the serial interface is used.
	D ₆	BSTR	Sets the write mode for writing data to the display RAM. If the high-speed RAM write mode is selected, data is written to the display RAM in 64-bit units inside the μ PD161622. When selecting the high-speed RAM write mode, be sure to write data to the display RAM in 64-bit units. 0: Normal write mode (16-bit access) 1: High-speed RAM write mode (64-bit access)
	D ₄	WAS	Window access mode setting When the window access mode is set, the address is incremented/decremented only in the range set by the MIN. ·X address setting register (R8), MAX. ·X address setting register (R9), MIN. ·Y address setting register (R10), and MAX. ·Y address setting register (R11). 0: Normal operation 1: Window access mode
	D ₂	INC	Selects the direction in which the display RAM address is to be incremented/decremented. Whether the X address and Y address are incremented or decremented is specified by XDIR (R5: D ₁) and YDIR (R5: D ₀), respectively. 0: Access in X address direction 1: Access in Y address direction
	D ₁	XDIR	Specifies whether the display RAM address is incremented or decremented in the X address direction. 0: Increments X address 1: Decrements X address
	D ₀	YDIR	Specifies whether the display RAM address is incremented or decremented in the Y address direction. 0: X address increment 1: X address decrement
R6	D ₇ to D ₀	XAn	This register sets the X address of the display RAM. Set a value between 00H and 83H.
R7	D ₇ to D ₀	YAn	This register sets the Y address of the display RAM. Set a value between 00H and AFH.
R8	D ₇ to D ₀	XMINn	Sets the minimum value of the X address in the window access mode. The X address is incremented up to the maximum value set by the MAX. ·X address register (R9), and then initialized to the address value set by this command. (R5: XDIR = 0) Set a value between 00H to 82H.
R9	D ₇ to D ₀	XMAXn	Sets the maximum value of the X address in the window access mode. The X address is incremented up to the maximum value set by the MIN. ·X address register (R8), and then initialized to the address value set by this command. (R5: XDIR = 0) Set a value between 01H to 83H.
R10	D ₇ to D ₀	YMINn	Sets the minimum value of the T address in the window access mode. The Y address is incremented up to the maximum value set by the MAX. ·Y address register (R11), and then initialized to the address value set by this command. (R5: YDIR = 0) Set a value between 00H to AEH.

Resistor	Bit	Symbol	Function
R11	D ₇ to D ₀	YMAX _n	Sets the maximum value of the Y address in the window access mode. The Y address is incremented up to the address value set by this command, and then initialized to the minimum address value set by the MIN. Y address register (R10) (R5: YDIR = 0) Set a value between 01H to AFH.
R12	D ₇ to D ₀	D _n	These bits are used for reading/writing data from/to display memory (internal RAM).
R15	D ₇ to D ₀	SSL _n	Scroll area start line register (00H to AFH) When the screen is scrolled, the screen of the number of lines set by the scroll area line count register (R16) is scrolled up by the number of steps set by the scroll step count register (R17), starting from the line set by this command.
R16	D ₇ to D ₀	SAW _n	Scroll area line count register (00H to AFH) When the screen is scrolled, the screen of the number of lines set by this command is scrolled up by the number of steps set by the scroll step count register (R17), starting from the line set by the scroll area start line register (R15)
R17	D ₇ to D ₀	SST _n	Scroll step count register (00H to AFH) When the screen is scrolled, the screen of the number of lines set by the scroll area line count register (R16) and the scroll step count register (R17) is scrolled up by the number of steps set by this command. Note that because this command is invalid in the partial display mode, the scroll function cannot be used.
R19	D ₂	PGR	Partial off area color register Sets the color of the screen other than the partial display area during partial display (R0: DTY = 1). One of eight colors can be selected (RGB: 1 bit each) as the off color. The relationship between each color data and the bits of this register is as follows. This relationship is not dependent upon the value of ADC. PGR: R OFF= 0, ON = 1 PGG: G OFF= 0, ON = 1 PGB: B OFF= 0, ON = 1
	D ₁	PGG	
	D ₀	PGB	
R20	D ₇ to D ₀	P1SL _n	Partial 1 display area start line register (00H to AFH) During partial display (R0: DTY = 1), the area starting from the line set by this command and ending as set by the partial 1 display area line count register (R22) is the partial 1 display area.
R21	D ₇ to D ₀	P2SL _n	Partial 2 display area start line register (00H to AFH) During partial display (R0: DTY = 1), the area starting from the line set by this command and ending as set by the partial 2 display area line count register (R23) is the partial 2 display area.
R22	D ₇ to D ₀	P1AW _n	Partial 1 display area line count register (00H to AFH) An area starting from the line set by the partial 1 display area start register (R20) and ending as set by this command is the partial 1 display area. If this register is 0, the values of the partial 2 display area start line register (R29) and the partial 2 display area line count register (R31) are not valid.
R23	D ₇ to D ₀	P2AW _n	Partial 2 display area line count register (00H to AFH) An area starting from the line set by the partial 2 display area start register (R21) and ending as set by this command is the partial 2 display area. If the partial 1 display area line count register is 0, the values of the partial 2 display area start line register (R21) and partial 2 display area line count register (R23) are not valid.

Resistor	Bit	Symbol	Function
R25	D ₆	BGRS	This pin selects whether to use the internal power supply or an external power supply (input from the BRGIN pin) for generation the common center voltage output from the VCOM pin. 0: The internal power-supply is selected as the VCOM power supply 1: Input from the external power-supply BGRIN is selected as the VCOM power supply
	D ₅	VCE	Selects the V _o output level of the power-supply IC (μ PD161660). The V _{CE} pin of the μ PD161622 and the V _{CE} pin of the power-supply IC must be connected. 0: The V _o high-level booster voltage level is V _{DD1} minus 1 level 1: The V _o high-level booster voltage level is the same level as V _{DD1}
	D ₄	VCD2	Selects the V _{DD2} output level of the power-supply IC (μ PD161660). The V _{CD2} pin of the μ PD161622 and the V _{CD2} pin of the power-supply IC must be connected. 0: V _{DD2} = V _{DC} × 2 1: V _{DD2} = V _{DC} × 3
	D ₃	PVCOM	Sets the pre-charge time of a 1-line output period. 0: VBGR (3.0 V TYP.) 1: V _S
	D ₂	RGONG	Switches the internal regulator of the gate IC (μ PD161640) ON/OFF. When OFF is selected, a low level is output from the RGONG pin, and when ON is selected, a high level is output from the RGONG pin. The RGONG pin of the μ PD161622 and the RGON pin of the gate IC must be connected. 0: Regulators of gate driver (V _B) are OFF 1: Regulators of gate driver (V _B) are ON
	D ₁	RGONP	Switches the internal DC/DC converter of the power-supply IC (μ PD161660) ON/OFF. When OFF is selected, a low level is output from the RGONP pin, and when ON is selected, a high level is output from the RGONP pin. The RGONP pin of the μ PD161622 and the RGON pin of the power-supply IC must be connected. 0: Regulators of power-supply IC (V _T , V _S) are OFF 1: Regulators of power-supply IC (V _T , V _S) are ON
	D ₀	DCON	Switches the internal DC/DC converter of the power-supply IC (μ PD161660) ON/OFF. When OFF is selected, a low level is output from the DCON pin, and when ON is selected, a high level is output from the DCON pin. The DCON pin of this IC and the DCON pin of the power-supply IC must be connected. 0: DC/DC converter is OFF 1: DC/DC converter is ON
R26	D ₁	V _{CD12}	Performs booster control for the DC/DC converter in the power-supply IC (μ PD161660) The data set with this bit is output from the V _{CD11} pin and the V _{CD12} pin. The V _{CD11} pin and V _{CD12} pin of μ PD161622 must be connected to the V _{CD11} pin and the V _{CD12} pin of the power-supply IC.
	D ₀	V _{CD11}	V _{CD12} , V _{CD11} = 0, 0: V _{DD1} = V _{DC} × 4 = 0, 1: V _{DD1} = V _{DC} × 5 = 1, 0: V _{DD1} = V _{DC} × 6 = 1, 1: V _{DD1} = V _{DC} × 7

Resistor	Bit	Symbol	Function																																				
R29	D ₇ to D ₀	EVn	<p>Sets the D/A converter circuit used to adjust the voltage of the reference voltage generator circuit (VBGR) input to the voltage regulator that sets the center value of the panel common drive output. The D/A converter divides the constant voltage generated by the reference voltage generator (VBGR) by 256, and one level can be selected between VBGR and V_{SS} by setting this command.</p> <p>For more detail, refer to 5.5 Common Adjustment Circuit and 5.8 D/A Converter Circuit.</p>																																				
R30	D ₇	BPL	<p>Switched the capacity of the γ-correction circuit reference voltage generation amplifiers on the side not being used (VPH, VPL, VNH, VNL) to the minimum value based on the polarity inversion timing in order to reduce the current consumption.</p> <p>Determine the amplifier capacity after sufficient evaluation with the actual TFT panel to be used.</p> <p>0: Normal 1: Reference voltage generation amplifier capacity switch drive</p>																																				
	D ₆ to D ₄	CIn	<p>Sets the bias current of the amplifier for setting the panel's COMMON drive waveform center value (VCOM), as shown in the table below.</p> <p>Determine the amplifier capacity after sufficient evaluation with the actual TFT panel to be used.</p> <table border="1" data-bbox="581 772 1409 1060"> <thead> <tr> <th>CI2</th> <th>CI1</th> <th>CI0</th> <th>VCOM Center Value Setting Amplifier Bias Current Value</th> </tr> </thead> <tbody> <tr><td>0</td><td>0</td><td>0</td><td>0.20 μA</td></tr> <tr><td>0</td><td>0</td><td>1</td><td>0.50 μA</td></tr> <tr><td>0</td><td>1</td><td>0</td><td>0.10 μA</td></tr> <tr><td>0</td><td>1</td><td>1</td><td>0.05 μA</td></tr> <tr><td>1</td><td>0</td><td>0</td><td>1.00 μA</td></tr> <tr><td>1</td><td>0</td><td>1</td><td>1.50 μA</td></tr> <tr><td>1</td><td>1</td><td>0</td><td>2.00 μA</td></tr> <tr><td>1</td><td>1</td><td>1</td><td>3.00 μA</td></tr> </tbody> </table>	CI2	CI1	CI0	VCOM Center Value Setting Amplifier Bias Current Value	0	0	0	0.20 μA	0	0	1	0.50 μA	0	1	0	0.10 μA	0	1	1	0.05 μA	1	0	0	1.00 μA	1	0	1	1.50 μA	1	1	0	2.00 μA	1	1	1	3.00 μA
	CI2	CI1	CI0	VCOM Center Value Setting Amplifier Bias Current Value																																			
	0	0	0	0.20 μA																																			
0	0	1	0.50 μA																																				
0	1	0	0.10 μA																																				
0	1	1	0.05 μA																																				
1	0	0	1.00 μA																																				
1	0	1	1.50 μA																																				
1	1	0	2.00 μA																																				
1	1	1	3.00 μA																																				
D ₃	VCOMC	<p>Selects whether to use the amplifier for setting the panel's COMMON drive waveform center value (VCOM) or not.</p> <p>This amplifier can be used under conditions such as when an external COMMON drive circuit is being used.</p> <p>0: VCOM amplifier operating 1: VCOM amplifier stopped</p>																																					
D ₂ to D ₀	SFn	<p>Sets the capacity of the source output (S₁ to S₃₉₆), as shown in the table below.</p> <p>Determine the output capacity after sufficient evaluation with the actual TFT panel to be used.</p> <table border="1" data-bbox="581 1390 1409 1677"> <thead> <tr> <th>SF2</th> <th>SF1</th> <th>SF0</th> <th>Source Output Bias Current Value</th> </tr> </thead> <tbody> <tr><td>0</td><td>0</td><td>0</td><td>0.20 μA</td></tr> <tr><td>0</td><td>0</td><td>1</td><td>0.15 μA</td></tr> <tr><td>0</td><td>1</td><td>0</td><td>0.25 μA</td></tr> <tr><td>0</td><td>1</td><td>1</td><td>0.10 μA</td></tr> <tr><td>1</td><td>0</td><td>0</td><td>0.20 μA</td></tr> <tr><td>1</td><td>0</td><td>1</td><td>0.30 μA</td></tr> <tr><td>1</td><td>1</td><td>0</td><td>0.40 μA</td></tr> <tr><td>1</td><td>1</td><td>1</td><td>0.05 μA</td></tr> </tbody> </table>	SF2	SF1	SF0	Source Output Bias Current Value	0	0	0	0.20 μA	0	0	1	0.15 μA	0	1	0	0.25 μA	0	1	1	0.10 μA	1	0	0	0.20 μA	1	0	1	0.30 μA	1	1	0	0.40 μA	1	1	1	0.05 μA	
SF2	SF1	SF0	Source Output Bias Current Value																																				
0	0	0	0.20 μA																																				
0	0	1	0.15 μA																																				
0	1	0	0.25 μA																																				
0	1	1	0.10 μA																																				
1	0	0	0.20 μA																																				
1	0	1	0.30 μA																																				
1	1	0	0.40 μA																																				
1	1	1	0.05 μA																																				

Register	Bit	Symbol	Function																																				
R31	D ₇	WHP	<p>Sets the output mode of the reference voltage generator amplifier for setting the white level of the positive-polarity and negative-polarity sides (when VPL and VNL are normally white), as shown below.</p> <p>Determine the amplifier capacity after sufficient evaluation with the actual TFT panel to be used.</p> <p>0: Normal mode 1: High-power mode (output stage capacity: twice that of normal mode)</p>																																				
	D ₆ to D ₄	WIn	<p>Sets the output bias current of the reference voltage generator amplifier for setting the white level of the positive-polarity and negative-polarity sides (when VPL and VNL are normally white), as shown below.</p> <table border="1" style="margin-left: auto; margin-right: auto;"> <thead> <tr> <th>WI2</th> <th>WI1</th> <th>WI0</th> <th>Amplifier Bias Current</th> </tr> </thead> <tbody> <tr><td>0</td><td>0</td><td>0</td><td>0.20 μA</td></tr> <tr><td>0</td><td>0</td><td>1</td><td>0.50 μA</td></tr> <tr><td>0</td><td>1</td><td>0</td><td>0.10 μA</td></tr> <tr><td>0</td><td>1</td><td>1</td><td>0.05 μA</td></tr> <tr><td>1</td><td>0</td><td>0</td><td>1.00 μA</td></tr> <tr><td>1</td><td>0</td><td>1</td><td>1.50 μA</td></tr> <tr><td>1</td><td>1</td><td>0</td><td>2.00 μA</td></tr> <tr><td>1</td><td>1</td><td>1</td><td>3.00 μA</td></tr> </tbody> </table>	WI2	WI1	WI0	Amplifier Bias Current	0	0	0	0.20 μA	0	0	1	0.50 μA	0	1	0	0.10 μA	0	1	1	0.05 μA	1	0	0	1.00 μA	1	0	1	1.50 μA	1	1	0	2.00 μA	1	1	1	3.00 μA
	WI2	WI1	WI0	Amplifier Bias Current																																			
	0	0	0	0.20 μA																																			
0	0	1	0.50 μA																																				
0	1	0	0.10 μA																																				
0	1	1	0.05 μA																																				
1	0	0	1.00 μA																																				
1	0	1	1.50 μA																																				
1	1	0	2.00 μA																																				
1	1	1	3.00 μA																																				
D ₃	BHP	<p>Sets the output mode of the reference voltage generator amplifier for setting the black level of the positive-polarity and negative-polarity sides (when VPH and VNH are normally white), as shown below.</p> <p>Determine the amplifier capacity after sufficient evaluation with the actual TFT panel to be used.</p> <p>0: Normal mode 1: High-power mode (output stage capacity: twice that of normal mode)</p>																																					
D ₂ to D ₀	BlIn	<p>Sets the output bias current of the reference voltage generator amplifier for setting the black level of the positive-polarity and negative-polarity sides (when VPH and VNH are normally white), as shown below.</p> <p>Determine the amplifier capacity after sufficient evaluation with the actual TFT panel to be used.</p> <table border="1" style="margin-left: auto; margin-right: auto;"> <thead> <tr> <th>BI2</th> <th>BI1</th> <th>BI0</th> <th>Amplifier Bias Current</th> </tr> </thead> <tbody> <tr><td>0</td><td>0</td><td>0</td><td>0.20 μA</td></tr> <tr><td>0</td><td>0</td><td>1</td><td>0.50 μA</td></tr> <tr><td>0</td><td>1</td><td>0</td><td>0.10 μA</td></tr> <tr><td>0</td><td>1</td><td>1</td><td>0.05 μA</td></tr> <tr><td>1</td><td>0</td><td>0</td><td>1.00 μA</td></tr> <tr><td>1</td><td>0</td><td>1</td><td>1.50 μA</td></tr> <tr><td>1</td><td>1</td><td>0</td><td>2.00 μA</td></tr> <tr><td>1</td><td>1</td><td>1</td><td>3.00 μA</td></tr> </tbody> </table>	BI2	BI1	BI0	Amplifier Bias Current	0	0	0	0.20 μA	0	0	1	0.50 μA	0	1	0	0.10 μA	0	1	1	0.05 μA	1	0	0	1.00 μA	1	0	1	1.50 μA	1	1	0	2.00 μA	1	1	1	3.00 μA	
BI2	BI1	BI0	Amplifier Bias Current																																				
0	0	0	0.20 μA																																				
0	0	1	0.50 μA																																				
0	1	0	0.10 μA																																				
0	1	1	0.05 μA																																				
1	0	0	1.00 μA																																				
1	0	1	1.50 μA																																				
1	1	0	2.00 μA																																				
1	1	1	3.00 μA																																				
R36	D ₇ to D ₀	GPH _n	<p>Sets the voltage value of the black level of positive polarity.</p> <p>For more detail, refer to 5.9 γ-Curve Correction Power Supply Circuit.</p>																																				
R37	D ₇ to D ₀	GNH _n	<p>Sets the voltage value of the white level of negative polarity.</p> <p>For more detail, refer to 5.9 γ-Curve Correction Power Supply Circuit.</p>																																				
R38	D ₇ to D ₀	GPL _n	<p>Sets the voltage value of the white level of positive polarity.</p> <p>For more detail, refer to 5.9 γ-Curve Correction Power Supply Circuit.</p>																																				
R39	D ₇ to D ₀	GNL _n	<p>Sets the voltage value of the white level of positive polarity.</p> <p>For more detail, refer to 5.9 γ-Curve Correction Power Supply Circuit.</p>																																				

Register	Bit	Symbol	Function																				
★ ★	R40	D ₇ to D ₄	<p>RDTP_n</p> <p>Sets the data value at which the pre-charge direction is switched during positive-polarity drive. The value set to RDTP_n corresponds to the higher 4bits of display RAM data DB_n (6 bits for each of RFB), as shown below.</p> <table border="1" style="margin-left: auto; margin-right: auto;"> <thead> <tr> <th></th> <th>RDTP3</th> <th>RDTP2</th> <th>RDTP1</th> <th>RDTP0</th> </tr> </thead> <tbody> <tr> <td>Dot 1 (R)</td> <td>D₁₅</td> <td>D₁₄</td> <td>D₁₃</td> <td>D₁₂</td> </tr> <tr> <td>Dot 2 (G)</td> <td>D₁₀</td> <td>D₉</td> <td>D₈</td> <td>D₇</td> </tr> <tr> <td>Dot 3 (B)</td> <td>D₄</td> <td>D₃</td> <td>D₂</td> <td>D₁</td> </tr> </tbody> </table>		RDTP3	RDTP2	RDTP1	RDTP0	Dot 1 (R)	D ₁₅	D ₁₄	D ₁₃	D ₁₂	Dot 2 (G)	D ₁₀	D ₉	D ₈	D ₇	Dot 3 (B)	D ₄	D ₃	D ₂	D ₁
		RDTP3	RDTP2	RDTP1	RDTP0																		
Dot 1 (R)	D ₁₅	D ₁₄	D ₁₃	D ₁₂																			
Dot 2 (G)	D ₁₀	D ₉	D ₈	D ₇																			
Dot 3 (B)	D ₄	D ₃	D ₂	D ₁																			
	D ₃ to D ₀	RDTN _n	<p>Sets the data value at which the pre-charge direction is switched during negative-polarity drive. The value set to RDTN_n corresponds to the higher 4 bits of display RAM data DB_n (6 bits for each of RGB), as shown below.</p> <table border="1" style="margin-left: auto; margin-right: auto;"> <thead> <tr> <th></th> <th>RDTN3</th> <th>RDTN2</th> <th>RDTN1</th> <th>RDTN0</th> </tr> </thead> <tbody> <tr> <td>Dot 1 (R)</td> <td>D₁₅</td> <td>D₁₄</td> <td>D₁₃</td> <td>D₁₂</td> </tr> <tr> <td>Dot 2 (G)</td> <td>D₁₀</td> <td>D₉</td> <td>D₈</td> <td>D₇</td> </tr> <tr> <td>Dot 3 (B)</td> <td>D₄</td> <td>D₃</td> <td>D₂</td> <td>D₁</td> </tr> </tbody> </table>		RDTN3	RDTN2	RDTN1	RDTN0	Dot 1 (R)	D ₁₅	D ₁₄	D ₁₃	D ₁₂	Dot 2 (G)	D ₁₀	D ₉	D ₈	D ₇	Dot 3 (B)	D ₄	D ₃	D ₂	D ₁
	RDTN3	RDTN2	RDTN1	RDTN0																			
Dot 1 (R)	D ₁₅	D ₁₄	D ₁₃	D ₁₂																			
Dot 2 (G)	D ₁₀	D ₉	D ₈	D ₇																			
Dot 3 (B)	D ₄	D ₃	D ₂	D ₁																			
	R42	D ₀	<p>GHSW</p> <p>Controls the γ-correction voltage input pins (V₀ to V₅) and the switch for connecting the μPD161622 internal γ-correction resistor. 0: Switch OFF (disconnected) 1: Switch ON (connected)</p>																				
	R45	D ₀	<p>OC</p> <p>This bit is used for calibration. The time from calibration start command execution until calibration stop command execution becomes the time for 1 line. 0: Calibration stop 1: Calibration start</p>																				
	R46	D ₇ to D ₀	<p>PLIM_n</p> <p>Set the pre-charge time of a 1-line output period. The number of clocks set in this register + 2 CLK (1/f_{osc}) becomes the pre-charge time when one line is driven. For details, refer to 5.4.1 Drive timing</p>																				
	R49	D ₇ to D ₀	<p>OP_n</p> <p>Output port (OP7 to OP0) write When after the output port register (R49) is specified in the index register, writing to the γ-correction input disconnect register (R42) is performed, the values written to the OP7 to OP0 pins are output.</p>																				
	R50	D ₃ to D ₀	<p>IP_n</p> <p>Input port (IP3 to IP0) read To read the IP3 to IP0 inputs, use the following method. <Read sequence> <1> Specify the input port register (R50) from the index register. ↓ <2> Execute input port register (R50) read.</p>																				

Register	Bit	Symbol	Function				
R114	D ₁ , D ₀	RTSCn	<p>Selects the optimum internal circuit operation based on the operating voltage of the interface circuits. The following settings are recommended based on this register.</p> <table border="1" style="margin-left: auto; margin-right: auto;"> <tr> <td>RTSC1</td> <td>RTSC0</td> </tr> <tr> <td style="text-align: center;">1</td> <td style="text-align: center;">1</td> </tr> </table> <p>Caution Always set this register and internal logic operating voltage setting register (R115) to the same value.</p>	RTSC1	RTSC0	1	1
RTSC1	RTSC0						
1	1						
R115	D ₁ , D ₀	RTSLn	<p>Selects the optimum internal circuit operation based on the operating voltage of the internal logic circuits. The following settings are recommended based on this register.</p> <table border="1" style="margin-left: auto; margin-right: auto;"> <tr> <td>RTSC1</td> <td>RTSC0</td> </tr> <tr> <td style="text-align: center;">1</td> <td style="text-align: center;">1</td> </tr> </table> <p>Caution Always set this register and interface operating voltage setting register (R114) to the same value.</p>	RTSC1	RTSC0	1	1
RTSC1	RTSC0						
1	1						

8. ELECTRICAL SPECIFICATIONS

Absolute Maximum Ratings (T_A = 25°C, V_{SS} = 0 V)

Parameter	Symbol	Ratings	Unit
Power supply voltage	V _S	-0.5 to +6.5	V
Power supply voltage	V _{CC1}	-0.5 to +4.0	V
Power supply voltage	V _{CC2}	-0.5 to V _{CC1} + 0.5	V
Power supply voltage for γ-curve correction	V ₁ to V ₅	-0.5 to V _S + 0.5	V
Input voltage	V _I	-0.5 to V _{CC1} + 0.5	V
Input current	I _I	±10	mA
Operating ambient temperature	T _A	-40 to +85	°C
Storage temperature	T _{stg}	-55 to +125	°C

Caution Product quality may suffer if the absolute maximum rating is exceeded even momentarily for any parameter. That is, the absolute maximum ratings are rated values at which the product is on the verge of suffering physical damage, and therefore the product must be used under conditions that ensure that the absolute maximum ratings are not exceeded.

Recommended Operating Conditions (T_A = -40 to +85°C, V_{SS} = 0 V)

Parameter	Symbol	MIN.	TYP.	MAX.	Unit
Power supply voltage	V _S	4.3	5.0	5.5	V
	V _{CC1}	2.5	2.7	3.6	V
	V _{CC2}	1.7	1.8	V _{CC1}	V
Input voltage	V _{I1} Note1	0		V _{CC1}	V
	V _{I2} Note2	0		V _{CC2}	V

- ★ **Notes 1.** Pins of V_{CC1} power-supply system: T_{OUT0} to T_{OUT15}, IP₀ to IP₃, OP₀ to OP₇, LPMG, LPMP, GOE₁, GOE₂, GSTB, GCLK, DCON, RGONP, RGONG, V_{CD11}, V_{CD12}, V_{CD2}, V_{CE}, R_{SEL}, TSTRTST, TSTVIHL, OSC_{IN}
- ★ **2.** Pins of V_{CC2} power-supply system: /CS, /RD(E), /WR(R,W), D₀ to D₅, D₆(SCL), D₇(SI), RS, /RESET, C86, PSX

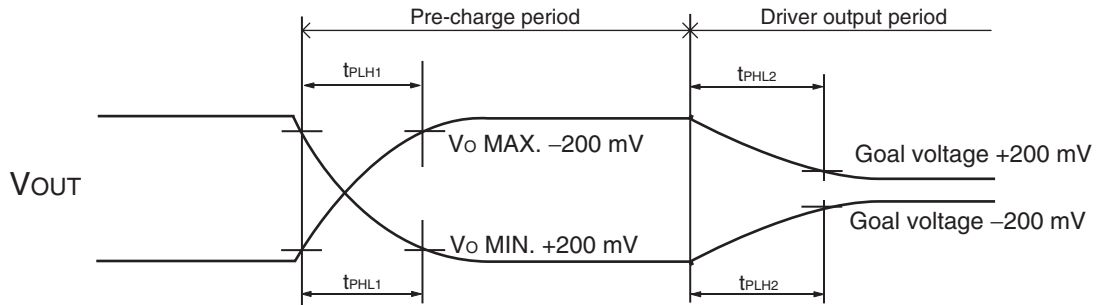
Electrical Specifications (Unless Otherwise Specified, T_A = -40 to +85°C, V_{CC1} = 2.5 to 3.6 V, V_{CC2} = 1.7 V to V_{CC1}, V_S = 4.3 to 5.5 V)

Parameter	Symbol	Condition	Specification			Unit
			MIN.	TYP. ^{Note1}	MAX.	
High level input voltage	V _{IH1}	V _{CC1}	0.8 V _{CC1}			V
	V _{IH2}	V _{CC2}	0.8 V _{CC2}			V
Low level input voltage	V _{IL1}	V _{CC1}			0.2 V _{CC1}	V
	V _{IL2}	V _{CC2}			0.2 V _{CC2}	V
High level output voltage	V _{OH1}	V _{CC1} , I _{OUT} = -100 μA	0.9 V _{CC1}			V
	V _{OH2}	V _{CC2} , I _{OUT} = -1 mA	0.8 V _{CC2}			V
	V _{OH3}	V _{COU1} , V _{COU2} , I _{OUT} = -100 μA	0.9 V _S			V
Low level output voltage	V _{OL1}	V _{CC1} , I _{OUT} = 100 μA			0.1 V _{CC1}	V
	V _{OL2}	V _{CC2} , I _{OUT} = 1 mA			0.2 V _{CC2}	V
	V _{OL3}	V _{COU1} , V _{COU2} , I _{OUT} = 100 μA			0.1 V _S	V
VCOM output voltage	V _{COMH}	I _{SOURCE} = 100 μA	V _{COM} - 0.3			mV
	V _{COML}	I _{SINK} = -100 μA			V _{COM} + 0.3	mV
High level input current	I _{IH1}	Except D ₀ to D ₁₅			1	μA
Low level input current	I _{IL1}	Except D ₀ to D ₁₅			-1	μA
High level leakage current	I _{LIH}	D ₀ to D ₁₅			10	μA
Low level leakage current	I _{LIL}	D ₀ to D ₁₅			-10	μA
High level driver output current	I _{VOH}	V _X = 3.5 V, V _{OUT} = 4.5 V, V _S = 5.0 V ^{Note2}	-85			μA
Low level driver output current	I _{VOL}	V _X = 1.5 V, V _{OUT} = 0.5 V, V _S = 5.0 V ^{Note2}			30	μA
VCOM common output voltage fluctuation parameter	ΔV _{COM}		-10		10	%
Current consumption	I _{CC1}	V _{CC1} (when non-access CPU)		140	240	μA
	I _{CC2}	V _{CC2} (when non-access CPU)		0.2	5	μA
	I _{STBY}	V _{CC1} (stand-by mode)		1	10	μA
	I _S	V _S (65,000-color mode) ^{Note3}		600	1000	μA
		V _S (8-color mode) ^{Note3}		45	100	μA
Driver output Current (pre-charge)	I _{VOH}	V _S = 5.0 V, V _{OUT} = V _S - 0.1 V ^{Note2}		-0.14	-0.07	mA
	I _{VOL}	V _S = 5.0 V, V _{OUT} = V _S + 0.1 V ^{Note2}	0.1	0.25		mA
Output voltage deviation	ΔV _{O1}	V _{OUT} = 1.3 V to (V _S - 1.3 V) ^{Note2}	-20		20	mV
	ΔV _{O2}	V _{OUT} = 0.3 to 1.3 V ^{Note2} , (V _S - 1.3 V) to (V _S - 0.3 V)	-30		30	mV

Notes 1. TYP. values are reference values when T_A = 25°C

- ★ **2.** V_X refers to the output voltage of analog output pins S₁ to S₃₉₆.
V_{OUT} refers to the voltage applied to analog output pins S₁ to S₃₉₆
- 3.** Frame frequency, line inversion mode selection, dot checkerboard input pattern, no load

Switching characteristics (Unless Otherwise Specified, $T_A = -40$ to $+85^\circ\text{C}$, $V_{CC1} = 2.5$ to 3.6 V, $V_{CC2} = 1.7$ V to V_{CC1} , $V_S = 5.0$ V)

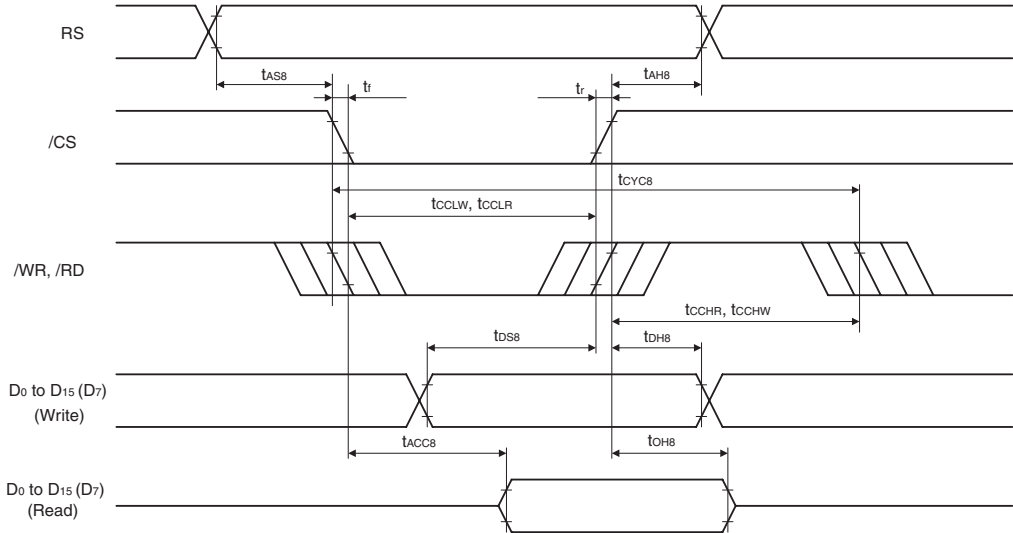


Parameter	Symbol	Condition	MIN.	TYP. ^{Note}	MAX.	Unit		
★ Driver output delay time 1 (pre-charge period)	t_{PLH1}	$V_S = 5.0 \text{ V}$, $4 \text{ k}\Omega + 27 \text{ pF}$	$V_O \text{ MAX. } -200 \text{ mV}$			40	μs	
	t_{PHL1}		$V_O \text{ MIN. } +200 \text{ mV}$			70	μs	
★ Driver output delay time 2 (driver output period)	t_{PLH2}		Pre-charge completed → goal voltage -200 mV				50	μs
	t_{PHL2}		Pre-charge completed → goal voltage $+200 \text{ mV}$				60	μs

Note TYP. values are reference values when $T_A = 25^\circ\text{C}$.

AC Characteristics (Unless Otherwise Specified, $T_A = -40$ to $+85^\circ\text{C}$, $V_{CC1} = 2.5$ to 3.6 V , $V_{CC2} = 1.7\text{ V}$ to V_{CC1})

(a) i80 series CPU interface



When V_{CC1} = 2.5 to 3.6 V, V_{CC2} = 2.5 to 3.6 V, V_{CC1} ≥ V_{CC2} (normal write mode, R114 and R115 = 03H)

Parameter	Symbol	Condition	MIN.	TYP. ^{Note}	MAX.	Unit
Address hold time	t _{AH8}	RS	0			ns
Address setup time	t _{AS8}	RS	0			ns
System cycle time	t _{CYC8}		250			ns
Control low-level pulse width (/WR)	t _{CCLW}	/WR	60			ns
Control low-level pulse width (/RD)	t _{CCLR}	/RD	140			ns
Control high-level pulse width (/WR)	t _{CCHW}	/WR	60			ns
Control high-level pulse width (/RD)	t _{CCHR}	/RD	80			ns
Data setup time	t _{DS8}	D ₀ to D ₁₅	60			ns
Data hold time	t _{DH8}	D ₀ to D ₁₅	0			ns
/RD access time	t _{ACC8}	D ₀ to D ₁₅ , C _L = 100 pF			110	ns
Output disable time	t _{OH8}	D ₀ to D ₁₅ , C _L = 5 pF	10		100	ns

Note TYP. values are reference values when T_A = 25°C.

Remarks 1. The input signal's rise/fall times (t_r and t_f) are rated as 15 ns or less.

2. All timing is rated based on 20 to 80% of V_{CC2}.

When V_{CC1} = 2.5 to 3.6 V, V_{CC2} = 1.7 to 2.5 V, V_{CC1} ≥ V_{CC2} (normal write mode, R114 and R115 = 03H)

Parameter	Symbol	Condition	MIN.	TYP. ^{Note}	MAX.	Unit
Address hold time	t _{AH8}	RS	0			ns
Address setup time	t _{AS8}	RS	0			ns
System cycle time	t _{CYC8}		333			ns
Control low-level pulse width (/WR)	t _{CCLW}	/WR	60			ns
Control low-level pulse width (/RD)	t _{CCLR}	/RD	160			ns
Control high-level pulse width (/WR)	t _{CCHW}	/WR	100			ns
Control high-level pulse width (/RD)	t _{CCHR}	/RD	140			ns
Data setup time	t _{DS8}	D ₀ to D ₁₅	60			ns
Data hold time	t _{DH8}	D ₀ to D ₁₅	0			ns
/RD access time	t _{ACC8}	D ₀ to D ₁₅ , C _L = 100 pF			150	ns
Output disable time	t _{OH8}	D ₀ to D ₁₅ , C _L = 5 pF	10		150	ns

Note TYP. values are reference values when T_A = 25°C.

Remarks 1. The input signal's rise/fall times (t_r and t_f) are rated as 15 ns or less.

2. All timing is rated based on 20 to 80% of V_{CC2}.

When $V_{CC1} = 2.5$ to 3.6 V, $V_{CC2} = 2.5$ to 3.6 V, $V_{CC1} \geq V_{CC2}$ (high-speed RAM write mode, valid only for writing data, R114 and R115 = 03H)

Parameter	Symbol	Condition	MIN.	TYP. ^{Note}	MAX.	Unit
Address hold time	t _{AH8}	RS	0			ns
Address setup time	t _{AS8}	RS	0			ns
System cycle time	t _{CYC8}		62			ns
Control low-level pulse width (/WR)	t _{CCLW}	/WR	35			ns
Control high-level pulse width (/WR)	t _{CCHW}	/WR	25			ns
Data setup time	t _{DS8}	D ₀ to D ₁₅	25			ns
Data hold time	t _{DH8}	D ₀ to D ₁₅	0			ns

Note TYP. values are reference values when T_A = 25°C.

- Remarks 1.** The input signal's rise/fall times (t_r and t_f) are rated as 15 ns or less.
2. All timing is rated based on 20 to 80% of V_{CC2}.

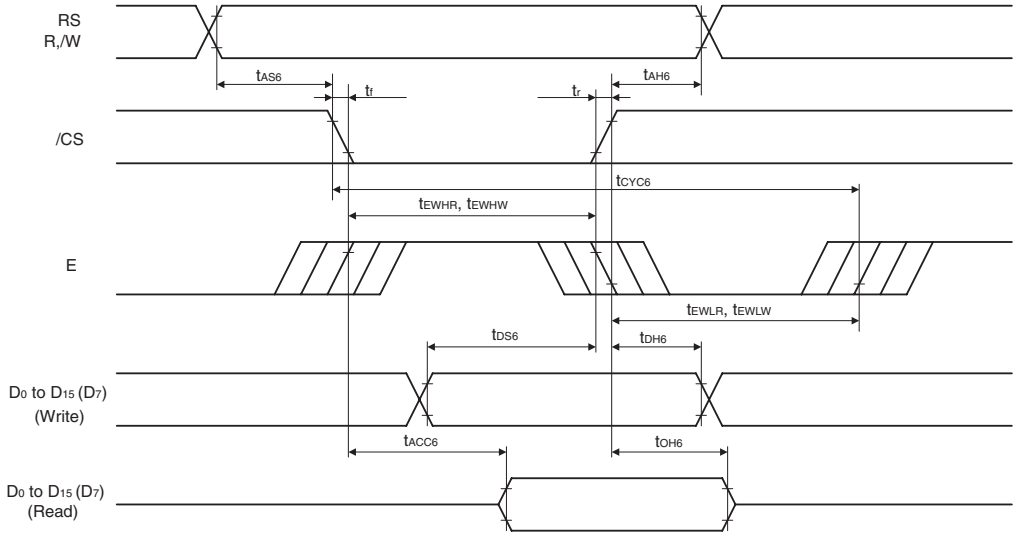
When $V_{CC1} = 2.5$ to 3.6 V, $V_{CC2} = 1.7$ to 2.5 V, $V_{CC1} \geq V_{CC2}$, (high-speed RAM write mode, valid only for writing data, R114 and R115 = 03H)

Parameter	Symbol	Condition	MIN.	TYP. ^{Note}	MAX.	Unit
Address hold time	t _{AH8}	RS	0			ns
Address setup time	t _{AS8}	RS	0			ns
System cycle time	t _{CYC8}		83			ns
Control low-level pulse width (/WR)	t _{CCLW}	/WR	35			ns
Control high-level pulse width (/WR)	t _{CCHW}	/WR	30			ns
Data setup time	t _{DS8}	D ₀ to D ₁₅	30			ns
Data hold time	t _{DH8}	D ₀ to D ₁₅	0			ns

Note TYP. values are reference values when T_A = 25°C.

- Remarks 1.** The input signal's rise/fall times (t_r and t_f) are rated as 15 ns or less.
2. All timing is rated based on 20 to 80% of V_{CC2}.

(b) M68 series CPU interface



When $V_{CC1} = 2.5$ to 3.6 V, $V_{CC2} = 2.5$ to 3.6 V, $V_{CC1} \geq V_{CC2}$ (normal mode, R114 and R115 = 03H)

Parameter	Symbol	Condition	MIN.	TYP. ^{Note}	MAX.	Unit
Address hold time	t _{AH6}	RS	0			ns
Address setup time	t _{AS6}	RS	0			ns
System cycle time	t _{CYC6}		250			ns
Data setup time	t _{DS6}	D ₀ to D ₁₅	80			ns
Data hold time	t _{DH6}	D ₀ to D ₁₅	0			ns
Access time	t _{ACC6}	D ₀ to D ₁₅ , C _L = 100 pF			110	ns
Output disable time	t _{OH6}	D ₀ to D ₁₅ , C _L = 5 pF	10		100	ns
Enable high pulse width	Read	t _{EWHR}	E	140		ns
	Write	t _{EWHW}	E	120		ns
Enable low pulse width	Read	t _{EWLR}	E	80		ns
	Write	t _{EWLW}	E	60		ns

Note TYP. values are reference values when T_A = 25°C.

- Remarks 1.** The rise and fall times (t_r and t_f) of input signals are rated at 15 ns or less. When using a fast system cycle time, the rated value range is either (t_r + t_f) < (t_{CYC6} - t_{EWLR} - t_{EWHR}) or (t_r + t_f) < (t_{CYC6} - t_{EWLW} - t_{EWHW}).
- 2.** All timing is rated based on 20 to 80% of V_{CC2}.

When $V_{CC1} = 2.5$ to 3.6 V, $V_{CC2} = 1.7$ to 2.5 V, $V_{CC1} \geq V_{CC2}$ (normal mode, R114 and R115 = 03H)

Parameter	Symbol	Condition	MIN.	TYP. ^{Note}	MAX.	Unit
Address hold time	t _{AH6}	RS	0			ns
Address setup time	t _{AS6}	RS	0			ns
System cycle time	t _{CYC6}		333			ns
Data setup time	t _{DS6}	D ₀ to D ₁₅	100			ns
Data hold time	t _{DH6}	D ₀ to D ₁₅	0			ns
Access time	t _{ACC6}	D ₀ to D ₁₅ , C _L = 100 pF			150	ns
Output disable time	t _{OH6}	D ₀ to D ₁₅ , C _L = 5 pF	10		150	ns
Enable high pulse width	Read	t _{EWHR}	E	160		ns
	Write	t _{EWHW}	E	120		ns
Enable low pulse width	Read	t _{EWLR}	E	140		ns
	Write	t _{EWLW}	E	100		ns

Note TYP. values are reference values when T_A = 25°C.

- Remarks 1.** The rise and fall times (t_r and t_f) of input signals are rated at 15 ns or less. When using a fast system cycle time, the rated value range is either (t_r + t_f) < (t_{CYC6} - t_{EWLR} - t_{EWHR}) or (t_r + t_f) < (t_{CYC6} - t_{EWLW} - t_{EWHW}).
- 2.** All timing is rated based on 20 to 80% of V_{CC2}.

When $V_{CC1} = 2.5$ to 3.6 V, $V_{CC2} = 2.5$ to 3.6 V, $V_{CC1} \geq V_{CC2}$ (high-speed RAM write mode, valid only for writing data, R114 and R115 = 03H)

Parameter	Symbol	Condition	MIN.	TYP. ^{Note}	MAX.	Unit
Address hold time	t _{AH6}	RS	0			ns
Address setup time	t _{AS6}	RS	0			ns
System cycle time	t _{CYC6}		62			ns
★ Data setup time	t _{DS6}	D ₀ to D ₁₅	20			ns
Data hold time	t _{DH6}	D ₀ to D ₁₅	0			ns
Enable high pulse width	t _{EWHR}	E	35			ns
Enable low pulse width	t _{EWLR}	E	20			ns

Note TYP. values are reference values when T_A = 25°C.

- Remarks 1.** The rise and fall times (t_r and t_f) of input signals are rated at 15 ns or less. When using a fast system cycle time, the rated value range is either (t_r + t_f) < (t_{CYC6} - t_{EWLR} - t_{EWHR}) or (t_r + t_f) < (t_{CYC6} - t_{EWLW} - t_{EWHW}).
- 2.** All timing is rated based on 20 to 80% of V_{CC2}.

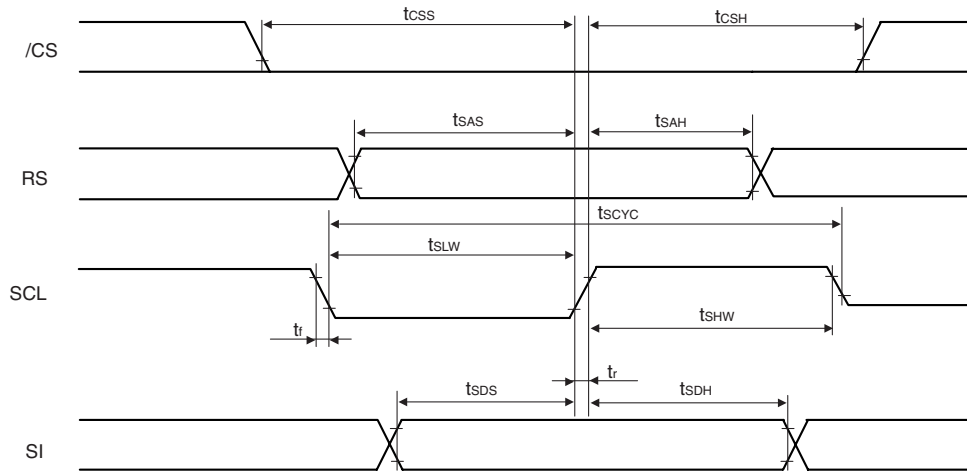
When $V_{CC1} = 2.5$ to 3.6 V, $V_{CC2} = 1.7$ to 2.5 V, $V_{CC1} \geq V_{CC2}$ (high-speed RAM write mode, valid only for writing data)

Parameter	Symbol	Condition	MIN.	TYP. ^{Note}	MAX.	Unit
Address hold time	t _{AH6}	RS	0			ns
Address setup time	t _{AS6}	RS	0			ns
System cycle time	t _{CYC6}		83			ns
★ Data setup time	t _{DS6}	D ₀ to D ₁₅	30			ns
Data hold time	t _{DH6}	D ₀ to D ₁₅	0			ns
Enable high pulse width	t _{EWHR}	E	40			ns
Enable low pulse width	t _{EWLR}	E	30			ns

Note TYP. values are reference values when T_A = 25°C.

- Remarks 1.** The rise and fall times (t_r and t_f) of input signals are rated at 15 ns or less. When using a fast system cycle time, the rated value range is either (t_r + t_f) < (t_{CYC6} - t_{EWLR} - t_{EWHR}) or (t_r + t_f) < (t_{CYC6} - t_{EWLW} - t_{EWHW}).
- 2.** All timing is rated based on 20 to 80% of V_{CC2}.

(c) Serial interface



V_{CC1} = 2.5 to 3.6 V, V_{CC2} = 1.7 to 2.5 V, V_{CC1} ≥ V_{CC2}

Parameter	Symbol	Condition	MIN.	TYP. ^{Note}	MAX.	Unit
Serial clock cycle	t _{SCYC}	SCL	250			ns
SCL high-level pulse width	t _{SHW}	SCL	100			ns
SCL low-level pulse width	t _{SLW}	SCL	100			ns
Address hold time	t _{SAH}	RS	150			ns
Address setup time	t _{SAS}	RS	150			ns
Data setup time	t _{SDS}	SI	100			ns
Data hold time	t _{SDH}	SI	100			ns
CS - SCL time	t _{CSS}	/CS	150			ns
	t _{CSH}	/CS	150			ns

Note TYP. values are reference values when T_A = 25°C.

V_{CC1} = 2.5 to 3.6 V, V_{CC2} = 2.5 to 3.6 V, V_{CC1} ≥ V_{CC2}

Parameter	Symbol	Condition	MIN.	TYP. ^{Note}	MAX.	Unit
Serial clock cycle	t _{SCYC}	SCL	150			ns
SCL high-level pulse width	t _{SHW}	SCL	60			ns
SCL low-level pulse width	t _{SLW}	SCL	60			ns
Address hold time	t _{SAH}	RS	90			ns
Address setup time	t _{SAS}	RS	90			ns
Data setup time	t _{SDS}	SI	60			ns
Data hold time	t _{SDH}	SI	60			ns
CS - SCL time	t _{CSS}	/CS	90			ns
	t _{CSH}	/CS	90			ns

Note TYP. values are reference values when T_A = 25°C.

Remarks 1. The rise and fall times of input signal (t_r and t_f) are rated as 15 ns or less.

2. All timing is rated based on 20 to 80% of V_{CC2}.

(d) Common

Parameter	Symbol	Condition	MIN.	TYP. ^{Note1}	MAX.	Unit
Oscillation frequency	f _{OSC1}	Internal oscillator (R _{SEL} = L)	250	450	750	kHz
	f _{OSC2}	External resistance connection oscillator (R _{SEL} = H), R = 51 kΩ ^{Note2}		450		kHz
★ Calibration setting time (frame frequency)	t _{cal} (f _{FRAME0})	Note3	44 (128.4)	82.2 (68.7)	184 (32.6)	μs (Hz)
Frame frequency	f _{FRAME1}	Uncalibrated	38	70	115	Hz
	f _{FRAME2}	Calibrated ^{Note4}	72	80	88	Hz
	f _{FRAME3}	Calibrated ^{Note5}	77	80	83	Hz
Reset pulse width at power on	t _{VR}	V _{CC1} or V _{CC2} to /RESET↑	100			ns
Reset pulse width	t _{RW}		100			ns
Reset time	t _R	/RESET↑ to interface operation	100			ns

Notes 1. TYP. values are reference values when T_A = 25°C.

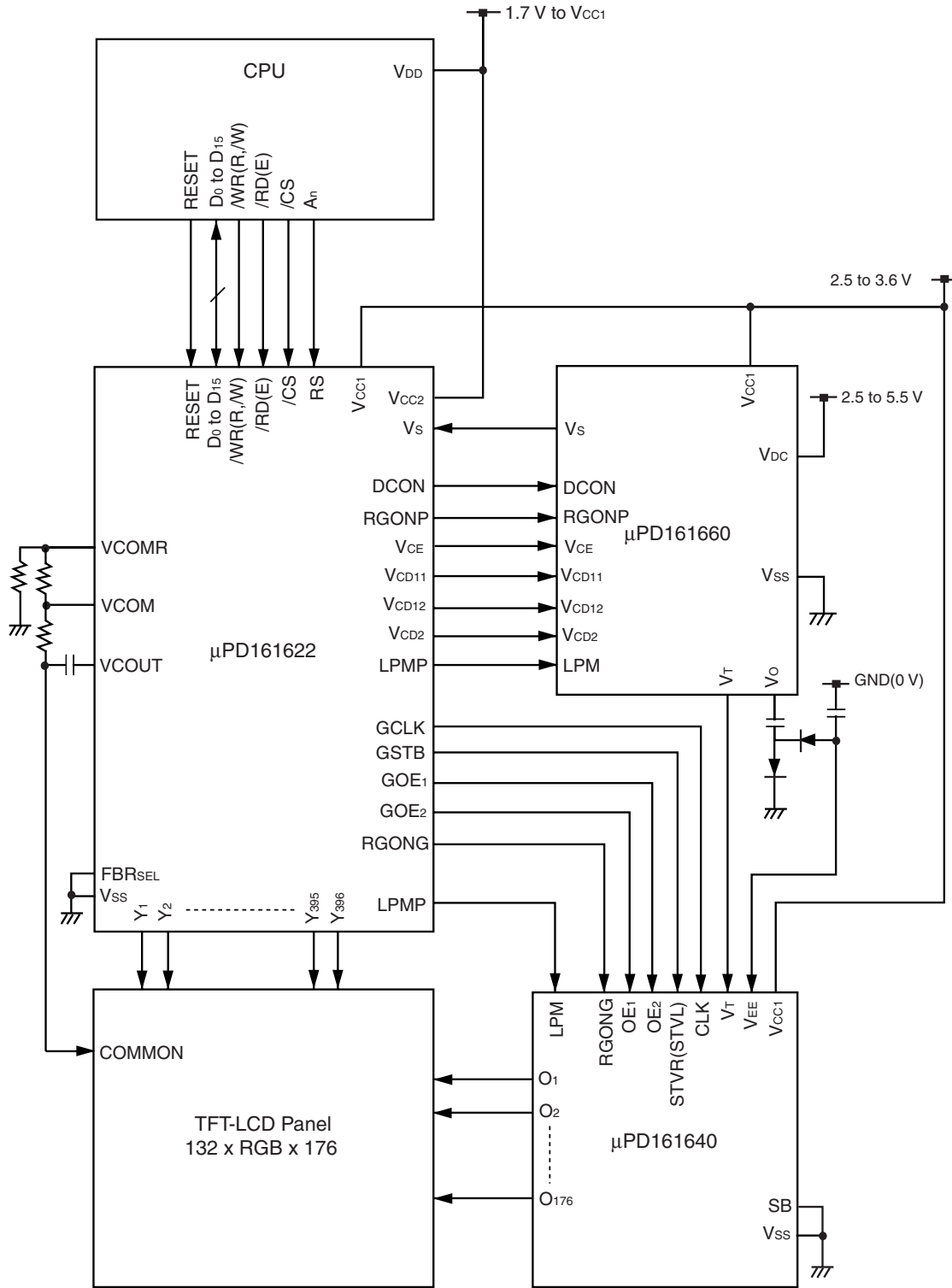
- 2. The resistor value of “R” is depending on the characteristic of the parasitism capacity such as wiring. It is recommended to determine this value after through evaluation with actual system.
- 3. The relationship between the frame frequency and the calibration setting time is as follows.

$$f_{FRAME0} = 1/t_{cal} \times 177$$

- 4. Measured at T_A = -40 to +85°C, after calibration at frame frequency = 80 Hz, T_A = 25°C exactly.
- 5. Measured at ±5°C, after calibration at frame frequency = 80 Hz exactly.

9. μPD161622, 161640, and 161660 CONNECTION DIAGRAM EXAMPLE

Connection diagram examples for the μPD161622, 161640, and 161660 are show below.

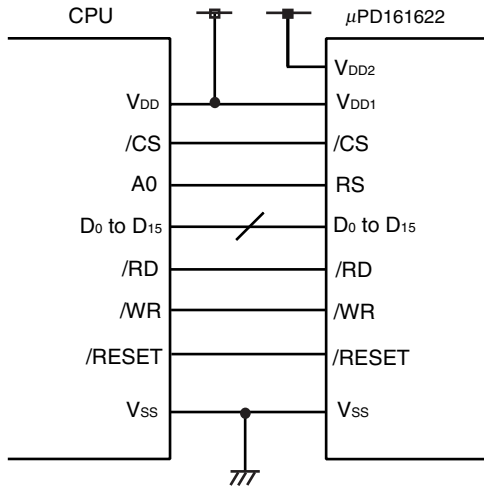


10. EXAMPLE of μPD161622 and CPU CONNECTION

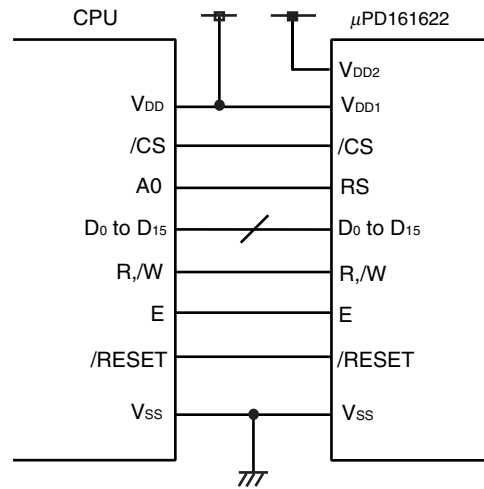
Examples of μPD161622 and CPU connection are shown below.

In the example below, RS pin control in parallel interface mode is described for the case when the least significant bit of the address bus is being used.

(1) i80 series format



(2) M68 series format



NOTES FOR CMOS DEVICES**① PRECAUTION AGAINST ESD FOR SEMICONDUCTORS**

Note:

Strong electric field, when exposed to a MOS device, can cause destruction of the gate oxide and ultimately degrade the device operation. Steps must be taken to stop generation of static electricity as much as possible, and quickly dissipate it once, when it has occurred. Environmental control must be adequate. When it is dry, humidifier should be used. It is recommended to avoid using insulators that easily build static electricity. Semiconductor devices must be stored and transported in an anti-static container, static shielding bag or conductive material. All test and measurement tools including work bench and floor should be grounded. The operator should be grounded using wrist strap. Semiconductor devices must not be touched with bare hands. Similar precautions need to be taken for PW boards with semiconductor devices on it.

② HANDLING OF UNUSED INPUT PINS FOR CMOS

Note:

No connection for CMOS device inputs can be cause of malfunction. If no connection is provided to the input pins, it is possible that an internal input level may be generated due to noise, etc., hence causing malfunction. CMOS devices behave differently than Bipolar or NMOS devices. Input levels of CMOS devices must be fixed high or low by using a pull-up or pull-down circuitry. Each unused pin should be connected to V_{DD} or GND with a resistor, if it is considered to have a possibility of being an output pin. All handling related to the unused pins must be judged device by device and related specifications governing the devices.

③ STATUS BEFORE INITIALIZATION OF MOS DEVICES

Note:

Power-on does not necessarily define initial status of MOS device. Production process of MOS does not define the initial operation status of the device. Immediately after the power source is turned ON, the devices with reset function have not yet been initialized. Hence, power-on does not guarantee out-pin levels, I/O settings or contents of registers. Device is not initialized until the reset signal is received. Reset operation must be executed immediately after power-on for devices having reset function.

Reference Documents**NEC Semiconductor Device Reliability/Quality Control System (C10983E)****Quality Grades On NEC Semiconductor Devices (C11531E)**

- **The information in this document is current as of August, 2003. The information is subject to change without notice. For actual design-in, refer to the latest publications of NEC Electronics data sheets or data books, etc., for the most up-to-date specifications of NEC Electronics products. Not all products and/or types are available in every country. Please check with an NEC Electronics sales representative for availability and additional information.**
- No part of this document may be copied or reproduced in any form or by any means without the prior written consent of NEC Electronics. NEC Electronics assumes no responsibility for any errors that may appear in this document.
- NEC Electronics does not assume any liability for infringement of patents, copyrights or other intellectual property rights of third parties by or arising from the use of NEC Electronics products listed in this document or any other liability arising from the use of such products. No license, express, implied or otherwise, is granted under any patents, copyrights or other intellectual property rights of NEC Electronics or others.
- Descriptions of circuits, software and other related information in this document are provided for illustrative purposes in semiconductor product operation and application examples. The incorporation of these circuits, software and information in the design of a customer's equipment shall be done under the full responsibility of the customer. NEC Electronics assumes no responsibility for any losses incurred by customers or third parties arising from the use of these circuits, software and information.
- While NEC Electronics endeavors to enhance the quality, reliability and safety of NEC Electronics products, customers agree and acknowledge that the possibility of defects thereof cannot be eliminated entirely. To minimize risks of damage to property or injury (including death) to persons arising from defects in NEC Electronics products, customers must incorporate sufficient safety measures in their design, such as redundancy, fire-containment and anti-failure features.
- NEC Electronics products are classified into the following three quality grades: "Standard", "Special" and "Specific".

The "Specific" quality grade applies only to NEC Electronics products developed based on a customer-designated "quality assurance program" for a specific application. The recommended applications of an NEC Electronics product depend on its quality grade, as indicated below. Customers must check the quality grade of each NEC Electronics product before using it in a particular application.

"Standard": Computers, office equipment, communications equipment, test and measurement equipment, audio and visual equipment, home electronic appliances, machine tools, personal electronic equipment and industrial robots.

"Special": Transportation equipment (automobiles, trains, ships, etc.), traffic control systems, anti-disaster systems, anti-crime systems, safety equipment and medical equipment (not specifically designed for life support).

"Specific": Aircraft, aerospace equipment, submersible repeaters, nuclear reactor control systems, life support systems and medical equipment for life support, etc.

The quality grade of NEC Electronics products is "Standard" unless otherwise expressly specified in NEC Electronics data sheets or data books, etc. If customers wish to use NEC Electronics products in applications not intended by NEC Electronics, they must contact an NEC Electronics sales representative in advance to determine NEC Electronics' willingness to support a given application.

(Note)

- (1) "NEC Electronics" as used in this statement means NEC Electronics Corporation and also includes its majority-owned subsidiaries.
- (2) "NEC Electronics products" means any product developed or manufactured by or for NEC Electronics (as defined above).