

DATA SHEET

CBT6810

10-bit bus switch with precharged outputs
and Schottky undershoot protection for
live insertion

Product data
Supersedes data of 2000 Jun 19

2002 Dec 13

10-bit bus switch with precharged outputs and Schottky undershoot protection for live insertion

CBT6810

FEATURES

- 5 Ω switch connection between port A and port B
- TTL compatible input and output levels
- Undershoot protection included to prevent shoot through level changes
- Bias voltage pre-charges the outputs to minimize signal distortion during live insertion
- Latch-up protection exceeds 500 mA per JESD78
- ESD protection exceeds 2000 V HBM per JESD22-A114, 200 V MM per JESD22-A115 and 1000 V CDM per JESD22-C101

DESCRIPTION

The CBT6810 provides ten bits of high-speed TTL-compatible bus switching. The low on-state resistance of the switch allows bi-directional connections to be made while adding near-zero propagation delay. The device also precharges the B port to a user-selectable bias voltage (BIASV) to minimize live-insertion noise.

The CBT6810 is organized as one 10-bit switch with a single enable (\overline{OE}) input. When \overline{OE} is low, the switch is on and port A is connected to port B. When \overline{OE} is high, the switch between port A and port B is open and the B port is precharged to BIASV through the equivalent of a 10-k Ω resistor.

The CBT6810 is characterized for operation from -40 to +85 $^{\circ}\text{C}$.

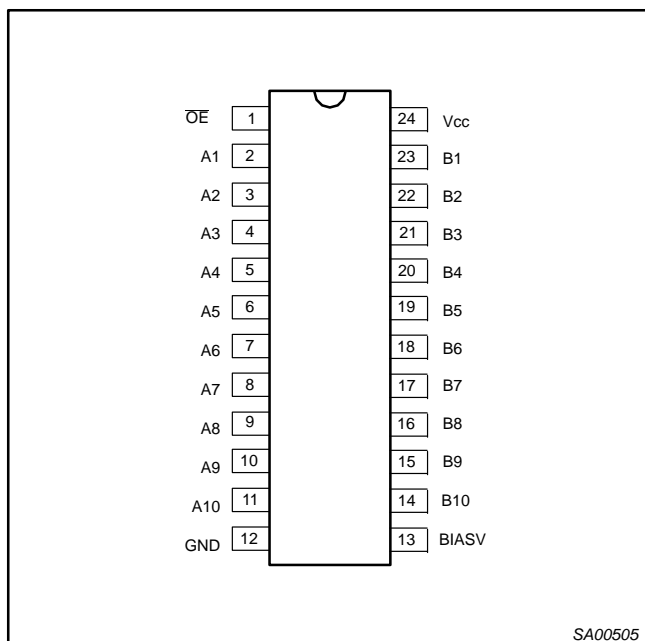
QUICK REFERENCE DATA

SYMBOL	PARAMETER	CONDITIONS $T_{\text{amb}} = 25^{\circ}\text{C}; \text{GND} = 0 \text{ V}$	TYPICAL	UNIT
t_{PLH} t_{PHL}	Propagation delay An to Bn or Bn to An	$C_L = 50 \text{ pF}; V_{\text{CC}} = 5 \text{ V}$	250	ps
C_{IN}	Input capacitance	$V_I = 0 \text{ V or } V_{\text{CC}}$	3.5	pF
C_{IO}	Input/output capacitance	Outputs disabled; $V_O = 0 \text{ V or } V_{\text{CC}}$	9.0	pF

ORDERING INFORMATION

PACKAGES	TEMPERATURE RANGE	ORDER CODE	DWG NUMBER
24-Pin Plastic TSSOP	-40 to +85 $^{\circ}\text{C}$	CBT6810PW	SOT355-1
24-Pin Plastic SSOP (QSOP)	-40 to +85 $^{\circ}\text{C}$	CBT6810DK	SOT556-1

PIN CONFIGURATION



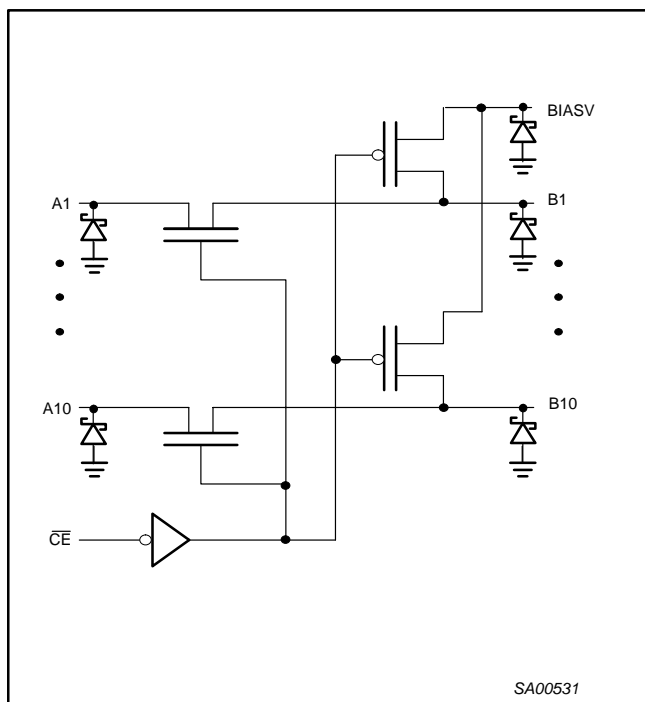
PIN DESCRIPTION

PIN NUMBER	SYMBOL	NAME AND FUNCTION
1	\overline{OE}	Output enable
13	BIASV	Precharge bias voltage input
2, 3, 4, 5, 6, 7, 8, 9, 10, 11	A1-A10	A - port side
23, 22, 21, 20, 19, 18, 17, 16, 15, 14	B1-B10	B - port side with active pullup
12	GND	Ground (V)
24	V_{CC}	Positive supply voltage

10-bit bus switch with precharged outputs and Schottky undershoot protection for live insertion

CBT6810

LOGIC SYMBOL



FUNCTION TABLE

OE	STATE
L	A port = B port
H	A port = Z
H	B port = BIASV

H = High voltage level
 L = Low voltage level
 Z = High impedance "off" state

ABSOLUTE MAXIMUM RATINGS^{1, 2}

SYMBOL	PARAMETER	CONDITIONS	RATING	UNIT
V _{CC}	DC supply voltage		-0.5 to +7.0	V
I _{IK}	DC clamp diode current		-50	mA
V _I	DC input voltage ³		-0.5 to +7.0	V
I _{SW}	DC continuous channel current		± 128	mA
T _{stg}	Storage temperature range		-65 to 150	°C
BIASV	DC Bias voltage range		-0.5 to 7.0	V
θ _{JA}	Power dissipation per package Plastic thin shrink small outline package		134	°C/W

NOTES:

1. Stresses beyond those listed may cause permanent damage to the device. These are stress ratings only and functional operation of the device at these or any other conditions beyond those indicated under "recommended operating conditions" is not implied. Exposure to absolute-maximum-rated conditions for extended periods may affect device reliability.
2. The performance capability of a high-performance integrated circuit in conjunction with its thermal environment can create junction temperatures which are detrimental to reliability. The maximum junction temperature of this integrated circuit should not exceed 150°C.
3. The input and output voltage ratings may be exceeded if the input and output current ratings are observed.

10-bit bus switch with precharged outputs and Schottky undershoot protection for live insertion

CBT6810

RECOMMENDED OPERATING CONDITIONS

SYMBOL	PARAMETER	LIMITS		UNIT
		Min	Max	
V_{CC}	DC supply voltage	4.0	5.5	V
BIASV	DC supply voltage	1.3	V_{CC}	V
V_{IH}	High-level input voltage (control pin)	2.0	—	V
V_{IL}	Low-level Input voltage (control pin)	—	0.8	V
T_{amb}	Operating free-air temperature range	-40	+85	°C

DC ELECTRICAL CHARACTERISTICS

SYMBOL	PARAMETER	TEST CONDITIONS	LIMITS			UNIT
			$T_{amb} = -40 \text{ to } +85 \text{ } ^\circ\text{C}$			
			Min	Typ ¹	Max	
V_{IK}	Input clamp voltage	$V_{CC} = 4.5 \text{ V}; I_I = -18 \text{ mA}$	—	—	-1.2	V
I_I	Input leakage current (control pin)	$V_{CC} = 5.5 \text{ V}; V_I = \text{GND or } 5.5 \text{ V}$	—	—	± 5	μA
I_O	Output bias current (B pins)	$V_{CC} = 4.5 \text{ V}; \text{BiasV} = 2.4 \text{ V}; V_O = 0, \text{OE} = V_{CC}$	—	—	-0.25	mA
I_{CC}	Quiescent supply current	$V_{CC} = 5.5 \text{ V}; I_O = 0, V_I = V_{CC} \text{ or GND}$	—	—	2.5	mA
ΔI_{CC}	Control pins ²	$V_{CC} = 5.5 \text{ V}$, one input at 3.4 V, other inputs at V_{CC} or GND	—	—	2.5	mA
C_I	Control pins	$V_I = 3 \text{ V or } 0$	—	3.5	—	pF
$C_{O(OFF)}$	Terminal capacitance	$V_O = 3 \text{ V or } 0$; switch off	—	9.0	—	pF
r_{on}^3	On-resistance	$V_{CC} = 4.5 \text{ V}; V_I = 0 \text{ V}; I_I = 64 \text{ mA}$	—	5	7	Ω
		$V_{CC} = 4.5 \text{ V}; V_I = 0 \text{ V}; I_I = 30 \text{ mA}$	—	5	7	
		$V_{CC} = 4.5 \text{ V}; V_I = 2.4 \text{ V}; I_I = -15 \text{ mA}$	—	10	15	
V_P	Pass voltage	$V_{IN} = V_{CC} = 5.0 \text{ V}; I_{out} = -100 \mu\text{A}$	3.4	3.6	3.9	V
I_{USP}^4	Undershoot static current protection	$V_{CC} = 5.0 \text{ V}, \text{BiasV} = V_{CC}$ $I_B = -5 \mu\text{A}, V_B \geq 3 \text{ V}$	—	-10	—	mA

NOTES:

- All typical values are at $V_{CC} = 5 \text{ V}$, $T_{amb} = 25^\circ\text{C}$
- This is the increase in supply current for each input that is at the specified TTL voltage level rather than V_{CC} or GND
- Measured by the voltage drop between the A and the B terminals at the indicated current through the switch. On-state resistance is determined by the lowest voltage of the two (A or B) terminals.
- Force I_{USP} measure $V_B \geq 3 \text{ V}$

10-bit bus switch with precharged outputs and Schottky undershoot protection for live insertion

CBT6810

AC CHARACTERISTICS FOR $V_{CC} = 5.0 \pm 0.5 \text{ V}$ RANGE

$GND = 0 \text{ V}$; $t_r = t_f \leq 2.5 \text{ ns}$; $C_L = 50 \text{ pF}$.

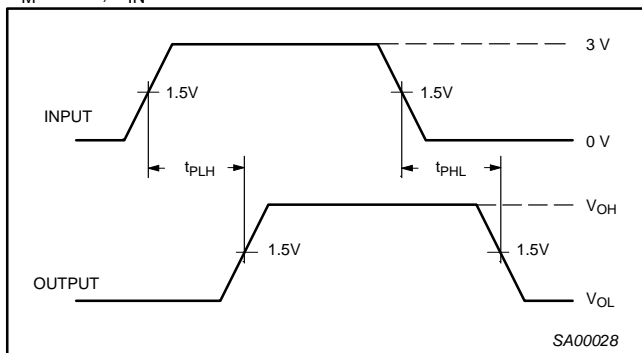
SYMBOL	PARAMETER	WAVEFORM	LIMITS			UNIT
			$T_{amb} = -40 \text{ to } +85^\circ\text{C}$			
			MIN	TYP ¹	MAX	
t_{pd}	Propagation delay An to Bn; Bn to An ²	1			0.25	ns
t_{pZH}	3-State output enable time OE to An; OE to Bn; BIASV = GND	2	1.8	3.5	5.3	ns
t_{pZL}	3-State output enable time OE to An; OE to Bn; BIASV = 3.0V	2	2.1	4.2	7.2	ns
t_{pHZ}	3-State output enable time $\overline{\text{OE}}$ to An; $\overline{\text{OE}}$ to Bn; BIASV = GND	2	1.7	3.7	6.1	ns
t_{pLZ}	3-State output enable time $\overline{\text{OE}}$ to An; $\overline{\text{OE}}$ to Bn; BIASV = 3.0V	2	1.0	5.5	7.3	ns

NOTE:

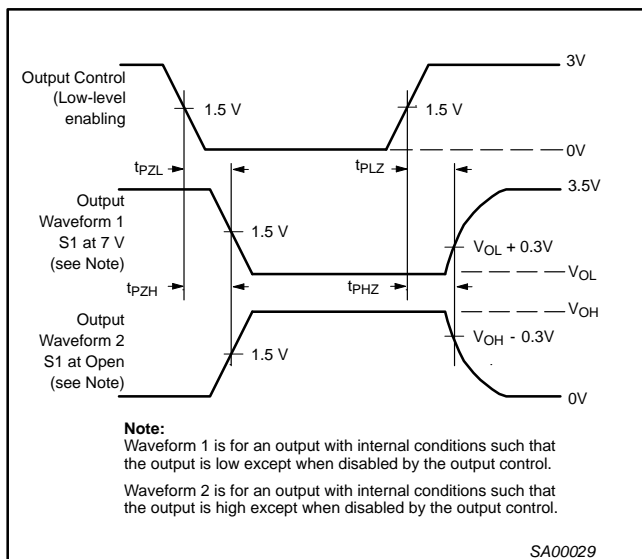
- All typical values are measured at $T_{amb} = 25^\circ\text{C}$ and $V_{CC} = 5.0 \text{ V}$
- Warranted but not production tested. The propagation delay is based on the RC time constant of the typical ON-state resistance of the switch and a load capacitance of 50pF, when driven by an ideal voltage source (zero output impedance)

AC WAVEFORMS

$V_M = 1.5\text{V}$, $V_{IN} = GND \text{ to } 3.0\text{V}$



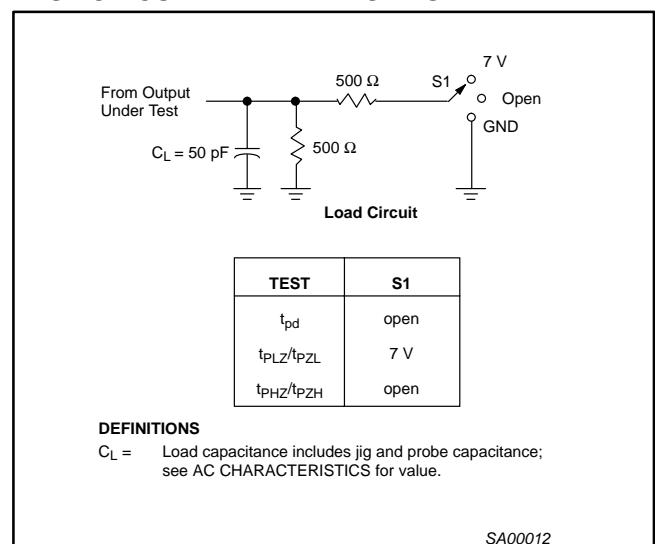
Waveform 1. Waveforms Showing the Input (An) to Output (Yn) Propagation Delays



Note:
Waveform 1 is for an output with internal conditions such that the output is low except when disabled by the output control.
Waveform 2 is for an output with internal conditions such that the output is high except when disabled by the output control.

Waveform 2. Waveforms Showing the 3-State Output Enable and Disable Times

TEST CIRCUIT AND WAVEFORMS



DEFINITIONS

$C_L =$ Load capacitance includes jig and probe capacitance; see AC CHARACTERISTICS for value.

NOTES:

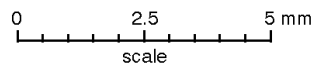
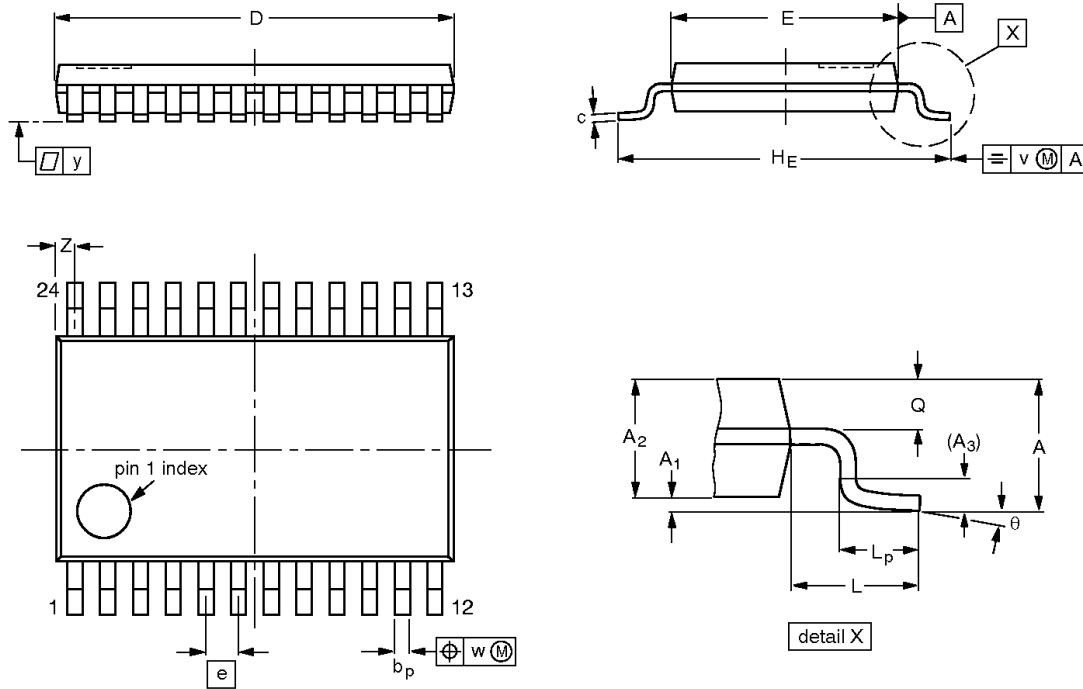
- All input pulses are supplied by generators having the following characteristics: $PRR \leq 10 \text{ MHz}$, $Z_O = 50 \Omega$, $t_r \leq 2.5 \text{ ns}$, $t_f \leq 2.5 \text{ ns}$.
- The outputs are measured one at a time with one transition per measurement.

10-bit bus switch with precharged outputs and Schottky undershoot protection for live insertion

CBT6810

TSSOP24: plastic thin shrink small outline package; 24 leads; body width 4.4 mm

SOT355-1



DIMENSIONS (mm are the original dimensions)

UNIT	A max.	A ₁	A ₂	A ₃	b _p	c	D ⁽¹⁾	E ⁽²⁾	e	H _E	L	L _p	Q	v	w	y	Z ⁽¹⁾	θ
mm	1.10	0.15 0.05	0.95 0.80	0.25	0.30 0.19	0.2 0.1	7.9 7.7	4.5 4.3	0.65	6.6 6.2	1.0	0.75 0.50	0.4 0.3	0.2	0.13	0.1	0.5 0.2	8° 0°

Notes

1. Plastic or metal protrusions of 0.15 mm maximum per side are not included.
2. Plastic interlead protrusions of 0.25 mm maximum per side are not included.

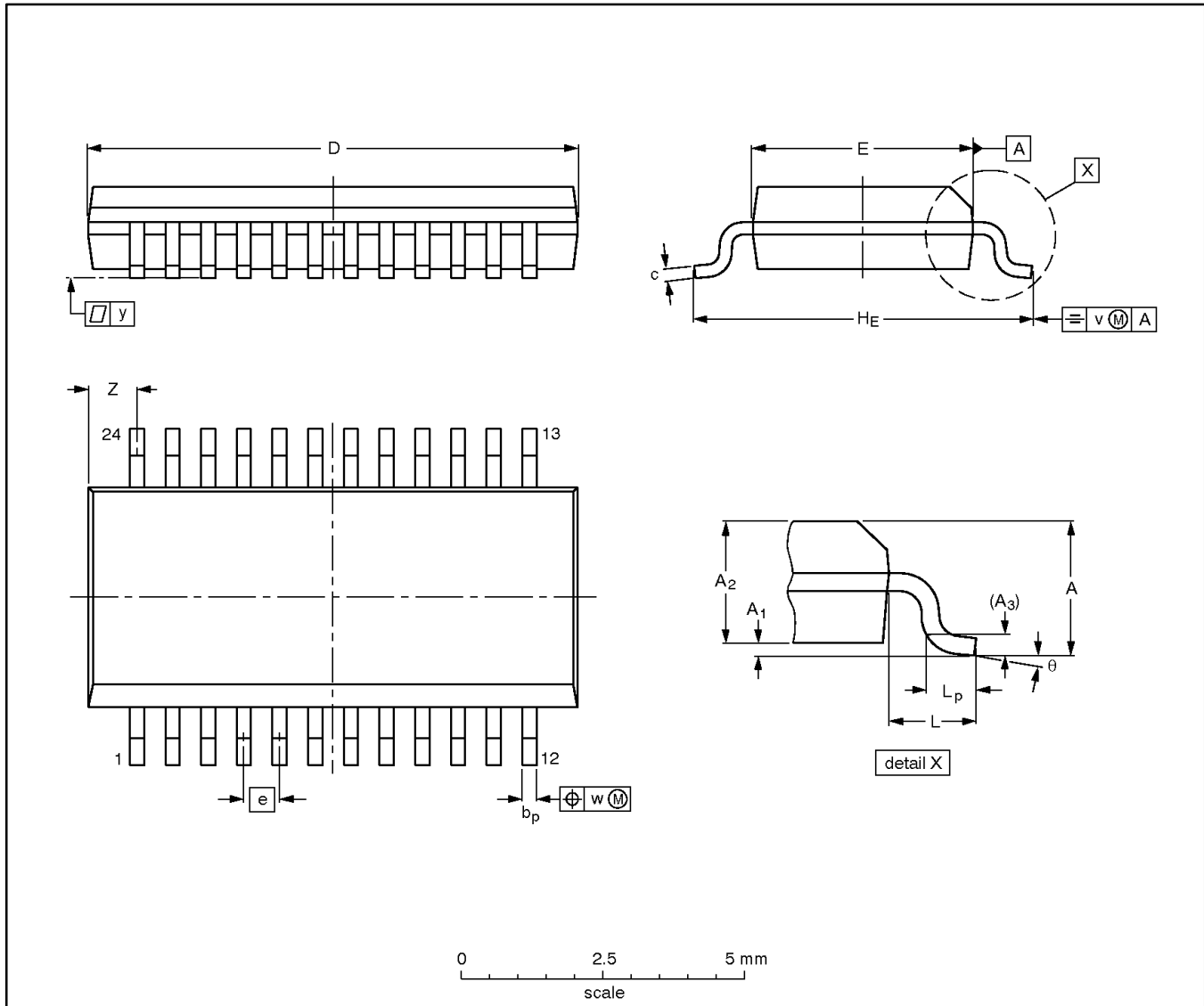
OUTLINE VERSION	REFERENCES				EUROPEAN PROJECTION	ISSUE DATE
	IEC	JEDEC	EIAJ			
SOT355-1		MO-153				95-02-04 99-12-27

10-bit bus switch with precharged outputs and Schottky undershoot protection for live insertion

CBT6810

SSOP24: plastic shrink small outline package; 24 leads;
body width 3.9 mm; lead pitch 0.635 mm

SOT556-1



DIMENSIONS (millimetre dimensions are derived from the original inch dimensions)

UNIT	A max.	A ₁	A ₂	A ₃	b _p	c	D ⁽¹⁾	E ⁽¹⁾	e	H _E	L	L _p	v	w	y	Z ⁽¹⁾	θ
mm	1.73	0.25 0.10	1.55 1.40	0.25	0.31 0.20	0.25 0.18	8.8 8.6	4.0 3.8	0.635	6.2 5.8	1.0	0.89 0.41	0.25	0.18	0.1	1.05 0.66	8° 0°
inches	0.068	0.0098 0.0040	0.061 0.055	0.010	0.012 0.008	0.0098 0.0075	0.344 0.337	0.157 0.150	0.025	0.244 0.228	0.041	0.035 0.016	0.010	0.007	0.004	0.040 0.026	8° 0°

Note

1. Plastic or metal protrusions of 0.20 mm maximum per side are not included.

OUTLINE VERSION	REFERENCES			EUROPEAN PROJECTION	ISSUE DATE
	IEC	JEDEC	EIAJ		
SOT556-1		MO-137			99-05-05 99-12-27

**10-bit bus switch with precharged outputs
and Schottky undershoot protection for live insertion**

CBT6810**REVISION HISTORY**

Rev	Date	Description
_3	20021213	Product data (9397 750 10871); ECN 853-2151 29159 of 06 November 2002. Modifications: <ul style="list-style-type: none">• New package release.
_2	20000619	Product data (9397 750 07214); ECN 853-2151 23905 of 19 June 2000.

10-bit bus switch with precharged outputs and Schottky undershoot protection for live insertion

CBT6810

Data sheet status

Level	Data sheet status ^[1]	Product status ^[2] [3]	Definitions
I	Objective data	Development	This data sheet contains data from the objective specification for product development. Philips Semiconductors reserves the right to change the specification in any manner without notice.
II	Preliminary data	Qualification	This data sheet contains data from the preliminary specification. Supplementary data will be published at a later date. Philips Semiconductors reserves the right to change the specification without notice, in order to improve the design and supply the best possible product.
III	Product data	Production	This data sheet contains data from the product specification. Philips Semiconductors reserves the right to make changes at any time in order to improve the design, manufacturing and supply. Relevant changes will be communicated via a Customer Product/Process Change Notification (CPCN).

[1] Please consult the most recently issued data sheet before initiating or completing a design.

[2] The product status of the device(s) described in this data sheet may have changed since this data sheet was published. The latest information is available on the Internet at URL <http://www.semiconductors.philips.com>.

[3] For data sheets describing multiple type numbers, the highest-level product status determines the data sheet status.

Definitions

Short-form specification — The data in a short-form specification is extracted from a full data sheet with the same type number and title. For detailed information see the relevant data sheet or data handbook.

Limiting values definition — Limiting values given are in accordance with the Absolute Maximum Rating System (IEC 60134). Stress above one or more of the limiting values may cause permanent damage to the device. These are stress ratings only and operation of the device at these or at any other conditions above those given in the Characteristics sections of the specification is not implied. Exposure to limiting values for extended periods may affect device reliability.

Application information — Applications that are described herein for any of these products are for illustrative purposes only. Philips Semiconductors make no representation or warranty that such applications will be suitable for the specified use without further testing or modification.

Disclaimers

Life support — These products are not designed for use in life support appliances, devices, or systems where malfunction of these products can reasonably be expected to result in personal injury. Philips Semiconductors customers using or selling these products for use in such applications do so at their own risk and agree to fully indemnify Philips Semiconductors for any damages resulting from such application.

Right to make changes — Philips Semiconductors reserves the right to make changes in the products—including circuits, standard cells, and/or software—described or contained herein in order to improve design and/or performance. When the product is in full production (status 'Production'), relevant changes will be communicated via a Customer Product/Process Change Notification (CPCN). Philips Semiconductors assumes no responsibility or liability for the use of any of these products, conveys no license or title under any patent, copyright, or mask work right to these products, and makes no representations or warranties that these products are free from patent, copyright, or mask work right infringement, unless otherwise specified.

Contact information

For additional information please visit
<http://www.semiconductors.philips.com>. Fax: +31 40 27 24825

© Koninklijke Philips Electronics N.V. 2002
All rights reserved. Printed in U.S.A.

Date of release: 12-02

For sales offices addresses send e-mail to:
sales.addresses@www.semiconductors.philips.com.

Document order number:

9397 750 10871

Let's make things better.