

DATA SHEET

74ALVC574

Octal D-type flip-flop; positive
edge-trigger; 3-state

Product specification

2002 Mar 04

Octal D-type flip-flop; positive edge-trigger; 3-state

74ALVC574

FEATURES

- Wide supply voltage range from 1.65 to 3.6 V
- Complies with JEDEC standard:
JESD8-7 (1.65 to 1.95 V)
JESD8-5 (2.3 to 2.7 V)
JESD8B/JESD36 (2.7 to 3.6 V).
- 3.6 V tolerant inputs/outputs
- CMOS low power consumption
- Direct interface with TTL levels (2.7 to 3.6 V)
- Power-down mode
- Latch-up performance exceeds ≤ 250 mA
- ESD protection:
2000 V Human Body Model (JESD22-A114-A)
200 V Machine Model (JESD22-A115-A).

DESCRIPTION

The 74ALVC574 is a high-performance, low-power, low-voltage, Si-gate CMOS device and superior to most advanced CMOS compatible TTL families.

The 74ALVC574 is an octal D-type flip-flop featuring separate D-type inputs for each flip-flop and 3-state outputs for bus oriented applications. A clock (CP) input and an output enable (\overline{OE}) input are common to all flip-flops.

The eight flip-flops will store the state of their individual D-inputs that meet the set-up and hold times requirements on the LOW-to-HIGH CP transition.

When \overline{OE} is LOW, the contents of the eight flip-flops is available at the outputs. When \overline{OE} is HIGH, the outputs go to the high-impedance OFF-state. Operation of the \overline{OE} input does not affect the state of the flip-flops.

The '574' is functionally identical to the '374', but the '374' has a different pin arrangement.

QUICK REFERENCE DATA

GND = 0 V; $T_{amb} = 25$ °C.

SYMBOL	PARAMETER	CONDITIONS	TYPICAL	UNIT
t_{PHL}/t_{PLH}	propagation delay CP to Q_n	$V_{CC} = 1.8$ V; $C_L = 30$ pF; $R_L = 1$ k Ω	3.1	ns
		$V_{CC} = 2.5$ V; $C_L = 30$ pF; $R_L = 500$ Ω	2.3	ns
		$V_{CC} = 2.7$ V; $C_L = 50$ pF; $R_L = 500$ Ω	2.5	ns
		$V_{CC} = 3.3$ V; $C_L = 50$ pF; $R_L = 500$ Ω	2.5	ns
C_I	input capacitance		3.5	pF
C_{PD}	power dissipation capacitance per buffer	$V_{CC} = 3.3$ V; notes 1 and 2 outputs enabled	21	pF
		outputs disabled	13	pF

Notes

1. C_{PD} is used to determine the dynamic power dissipation (P_D in μ W).

$P_D = C_{PD} \times V_{CC}^2 \times f_i + (C_L \times V_{CC}^2 \times f_o)$ where:

f_i = input frequency in MHz;

f_o = output frequency in MHz;

C_L = output load capacitance in pF;

V_{CC} = supply voltage in Volts.

2. The condition is $V_I = \text{GND to } V_{CC}$.

Octal D-type flip-flop; positive edge-trigger; 3-state

74ALVC574

ORDERING INFORMATION

TYPE NUMBER	PACKAGES			
	PINS	PACKAGE	MATERIAL	CODE
74ALVC574D	20	SO	plastic	SOT163-1
74ALVC574PW	20	TSSOP	plastic	SOT360-1

FUNCTION TABLE

See note 1.

OPERATING MODES	INPUT			INTERNAL FLIP-FLOPS	OUTPUT
	\overline{OE}	CP	D_n		Q_0 to Q_7
Load and read register	L	↑	l	L	L
	L	↑	h	H	H
Latch and read register	H	↑	l	L	Z
	H	↑	h	H	Z

Note

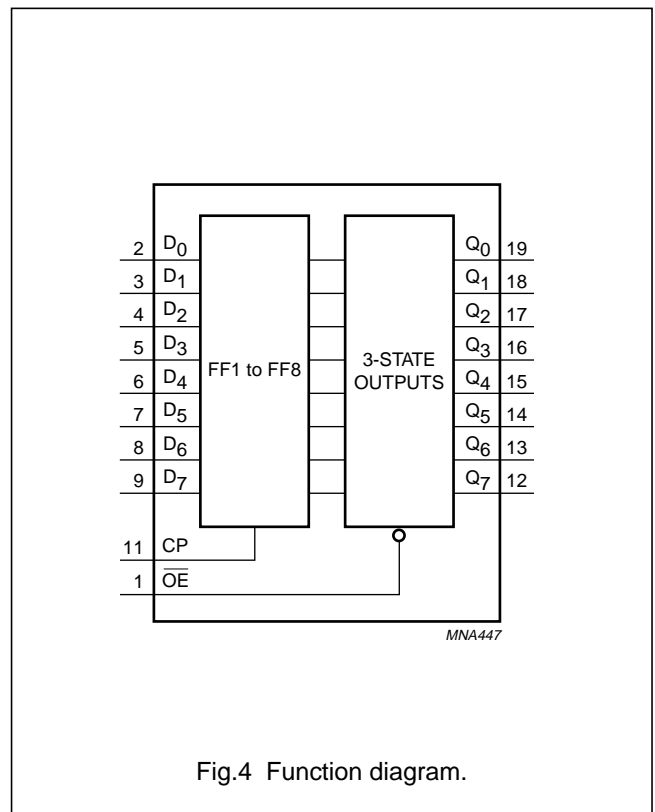
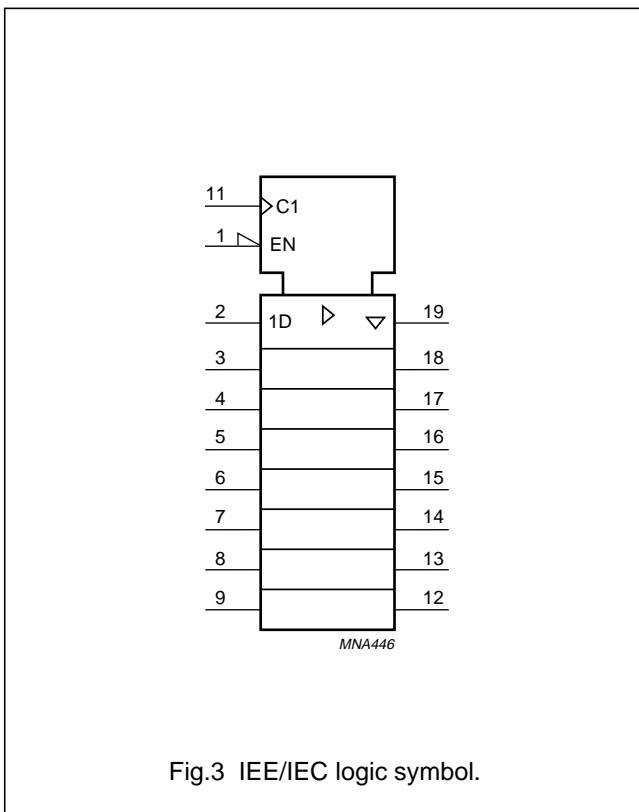
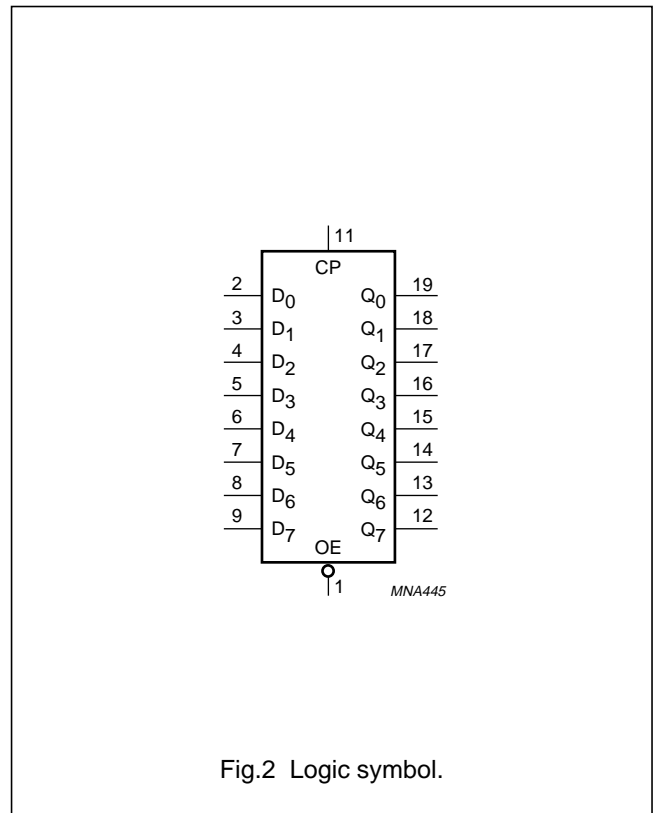
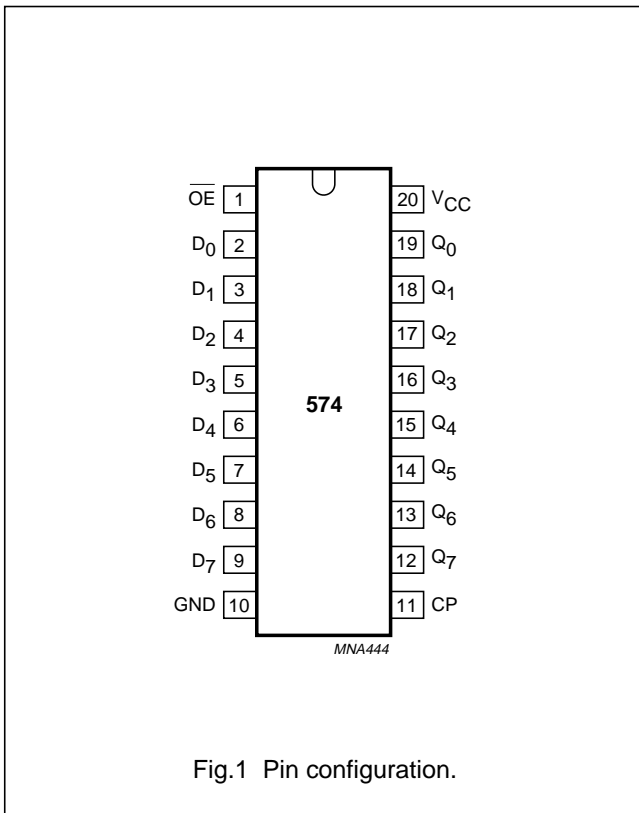
- H = HIGH voltage level;
h = HIGH voltage level one set-up time prior to the HIGH-to-LOW CP transition;
L = LOW voltage level;
l = LOW voltage level one set-up time prior to the HIGH-to-LOW CP transition;
↑ = LOW-to-HIGH clock transition;
Z = high-impedance OFF-state.

PINNING

PIN	SYMBOL	DESCRIPTION
1	\overline{OE}	output enable input (active LOW)
2, 3, 4, 5, 6, 7, 8, 9	Q_0 to Q_7	3-state flip-flop output
10	GND	ground (0 V)
11	CP	clock input (LOW-to-HIGH, edge triggered)
12, 13, 14, 15, 16, 17, 18, 19	D_7 to D_0	data input
20	V_{CC}	supply voltage

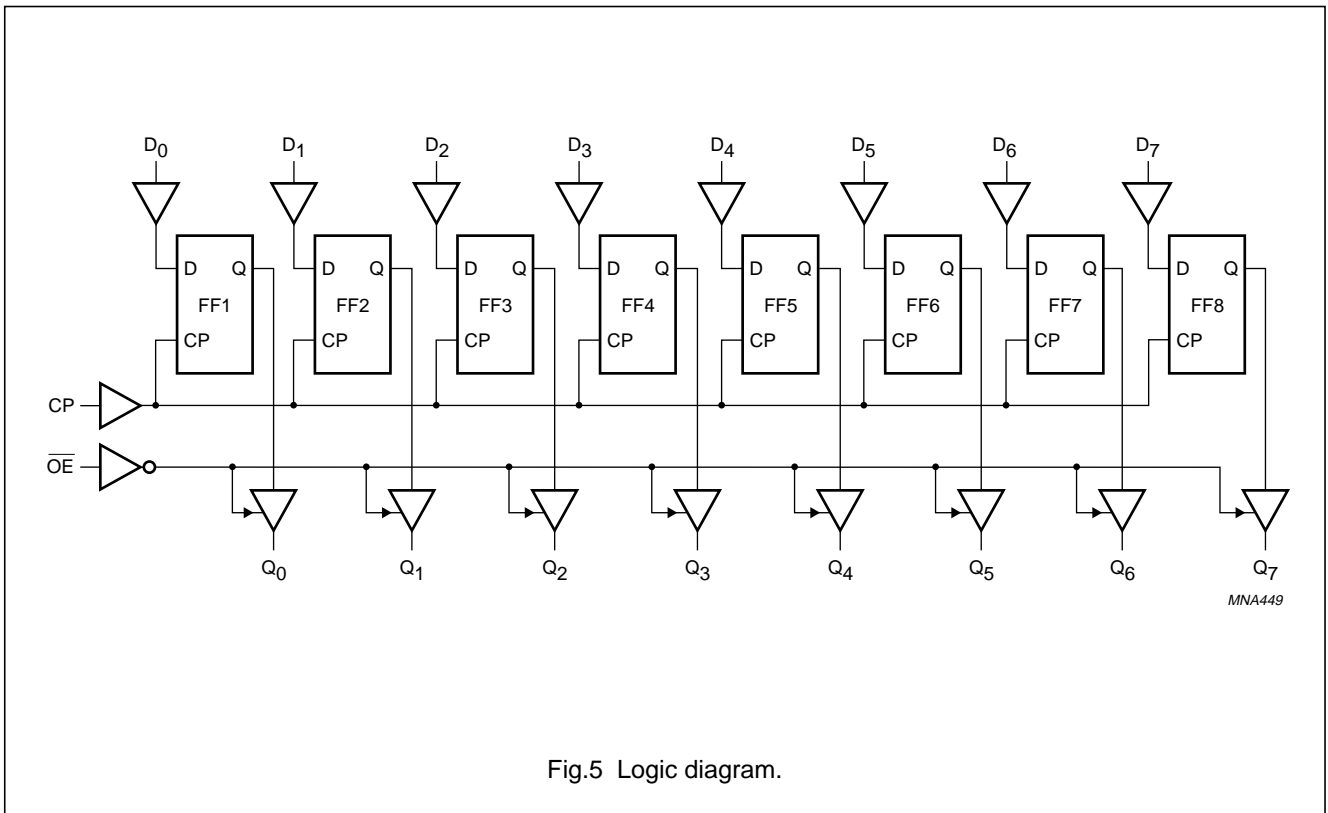
Octal D-type flip-flop; positive edge-trigger;
3-state

74ALVC574



Octal D-type flip-flop; positive edge-trigger;
3-state

74ALVC574



Octal D-type flip-flop; positive edge-trigger;
3-state

74ALVC574

RECOMMENDED OPERATING CONDITIONS

SYMBOL	PARAMETER	CONDITIONS	MIN.	MAX.	UNIT
V_{CC}	supply voltage		1.65	3.6	V
V_I	input voltage		0	3.6	V
V_O	output voltage	enable mode; $V_{CC} = 1.65$ to 3.6 V	0	V_{CC}	V
		disable mode; $V_{CC} = 1.65$ to 3.6 V	0	3.6	V
		Power-down mode; $V_{CC} = 0$ V	0	3.6	V
T_{amb}	operating ambient temperature		-40	+85	°C
t_r, t_f	input rise and fall times	$V_{CC} = 1.65$ to 2.7 V	0	20	ns/V
		$V_{CC} = 2.7$ to 3.6 V	0	10	ns/V

LIMITING VALUES

In accordance with the Absolute Maximum Rating System (IEC 60134); voltages are referenced to GND (ground = 0 V).

SYMBOL	PARAMETER	CONDITIONS	MIN.	MAX.	UNIT
V_{CC}	supply voltage		-0.5	+4.6	V
I_{IK}	input diode current	$V_I < 0$	-	-50	mA
V_I	input voltage		-0.5	+4.6	V
I_{OK}	output diode current	$V_O > V_{CC}$ or $V_O < 0$	-	± 50	mA
V_O	output voltage	enable mode; notes 1 and 2	-0.5	$V_{CC} + 0.5$	V
		disable mode	-0.5	+4.6	V
		Power-down mode; note 2	-0.5	+4.6	V
I_O	output diode current	$V_O = 0$ to V_{CC}	-	± 50	mA
I_{GND}, I_{CC}	V_{CC} or GND current		-	± 100	mA
T_{stg}	storage temperature		-65	+150	°C
P_{tot}	power dissipation per package				
	SO package	above 70 °C derate linearly with 8 mW/K	-	500	mW
	TSSOP package	above 60 °C derate linearly with 5.5 mW/K	-	500	mW

Notes

1. The input and output voltage ratings may be exceeded if the input and output current ratings are observed.
2. When $V_{CC} = 0$ V (Power-down mode), the output voltage can be 3.6 V in normal operation.

Octal D-type flip-flop; positive edge-trigger;
3-state

74ALVC574

DC CHARACTERISTICS

At recommended operating conditions; voltages are referenced to GND (ground = 0 V).

SYMBOL	PARAMETER	TEST CONDITIONS		T _{amb} (°C)			UNIT
		OTHER	V _{CC} (V)	-40 to +85			
				MIN.	TYP. ⁽¹⁾	MAX.	
V _{IH}	HIGH-level input voltage		1.65 to 1.95	0.65 × V _{CC}	–	–	V
			2.3 to 2.7	1.7	–	–	V
			2.7 to 3.6	2	–	–	V
V _{IL}	LOW-level input voltage		1.65 to 1.95	–	–	0.35 × V _{CC}	V
			2.3 to 2.7	–	–	0.7	V
			2.7 to 3.6	–	–	0.8	V
V _{OL}	LOW-level output voltage	V _I = V _{IH} or V _{IL} ; I _O = 100 μA	1.65 to 3.6	–	–	0.2	V
		V _I = V _{IH} or V _{IL} ; I _O = 6 mA	1.65	–	0.11	0.3	V
		V _I = V _{IH} or V _{IL} ; I _O = 12 mA	2.3	–	0.17	0.4	V
		V _I = V _{IH} or V _{IL} ; I _O = 18 mA	2.3	–	0.25	0.6	V
		V _I = V _{IH} or V _{IL} ; I _O = 12 mA	2.7	–	0.16	0.4	V
		V _I = V _{IH} or V _{IL} ; I _O = 18 mA	3.0	–	0.23	0.4	V
		V _I = V _{IH} or V _{IL} ; I _O = 24 mA	3.0	–	0.30	0.55	V
V _{OH}	HIGH-level output voltage	V _I = V _{IH} or V _{IL} ; I _O = –100 μA	1.65 to 3.6	V _{CC} – 0.2	–	–	V
		V _I = V _{IH} or V _{IL} ; I _O = –6 mA	1.65	1.25	1.51	–	V
		V _I = V _{IH} or V _{IL} ; I _O = –12 mA	2.3	1.8	2.10	–	V
		V _I = V _{IH} or V _{IL} ; I _O = –18 mA	2.3	1.7	2.01	–	V
		V _I = V _{IH} or V _{IL} ; I _O = –12 mA	2.7	2.2	2.53	–	V
		V _I = V _{IH} or V _{IL} ; I _O = –18 mA	3.0	2.4	2.76	–	V
		V _I = V _{IH} or V _{IL} ; I _O = –24 mA	3.0	2.2	2.68	–	V
I _I	input leakage current	V _I = 3.6 V or GND	3.6	–	±0.1	±5	μA
I _{OZ}	3-state output OFF-state current	V _I = V _{IH} or V _{IL} ; V _O = 3.6 V or GND; note 2	1.65 to 3.6	–	0.1	±10	μA
I _{off}	power OFF leakage current	V _I or V _O = 0 to 3.6 V	0.0	–	±0.1	±10	μA
I _{CC}	quiescent supply current	V _I = V _{CC} or GND; I _O = 0	3.6	–	0.2	10	μA
ΔI _{CC}	additional quiescent supply current per input pin	V _I = V _{CC} – 0.6 V; I _O = 0	3.0 to 3.6	–	5	750	μA

Notes

1. All typical values are measured at V_{CC} = 3.3 V and T_{amb} = 25 °C.
2. For transceivers, the parameter I_{OZ} includes the input leakage current.

Octal D-type flip-flop; positive edge-trigger;
3-state

74ALVC574

AC CHARACTERISTICS

SYMBOL	PARAMETER	TEST CONDITIONS		T _{amb} (°C)			UNIT
		WAVEFORMS	V _{CC} (V)	-40 to +85			
				MIN.	TYP. ⁽¹⁾	MAX.	
t _{PHL} /t _{PLH}	propagation delay CP to Q _n	see Figs 6 and 9	1.65 to 1.95	1.0	3.1	6.4	ns
			2.3 to 2.7	1.0	2.3	3.9	ns
			2.7	1.0	2.5	3.6	ns
			3.0 to 3.6	1.0	2.5	3.6	ns
t _{PZH} /t _{PZL}	3-state output enable time OE to Q _n	see Figs 8 and 9	1.65 to 1.95	1.0	3.2	6.4	ns
			2.3 to 2.7	1.0	2.6	4.5	ns
			2.7	1.0	3.2	4.6	ns
			3.0 to 3.6	1.0	2.4	4.0	ns
t _{PHZ} /t _{PLZ}	3-state output disable time OE to Q _n	see Figs 8 and 9	1.65 to 1.95	1.5	3.6	7.0	ns
			2.3 to 2.7	1.0	2.3	4.4	ns
			2.7	1.5	2.9	4.4	ns
			3.0 to 3.6	1.0	2.8	4.4	ns
t _w	clock pulse with HIGH or LOW	see Figs 7 and 9	1.65 to 1.95	3.8	1.1	–	ns
			2.3 to 2.7	3.3	0.9	–	ns
			2.7	3.3	0.8	–	ns
			3.0 to 3.6	3.3	1.2	–	ns
t _{su}	set-up time D _n to CP	see Figs 7 and 9	1.65 to 1.95	0.8	–0.1	–	ns
			2.3 to 2.7	0.8	0.1	–	ns
			2.7	0.8	0.3	–	ns
			3.0 to 3.6	0.8	0.0	–	ns
t _h	hold time D _n to CP	see Figs 7 and 9	1.65 to 1.95	0.8	–0.1	–	ns
			2.3 to 2.7	0.8	0.1	–	ns
			2.7	0.8	0.4	–	ns
			3.0 to 3.6	0.7	–0.1	–	ns
f _{max}	maximum clock pulse frequency	see Figs 6 and 9	2.3 to 2.7	100	200	–	MHz
			2.7	100	200	–	MHz
			3.0 to 3.6	150	300	–	MHz

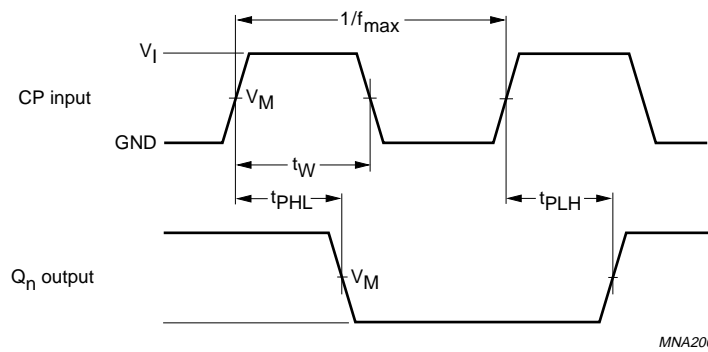
Note

1. All typical values are measured at T_{amb} = 25 °C.

Octal D-type flip-flop; positive edge-trigger;
3-state

74ALVC574

AC WAVEFORMS

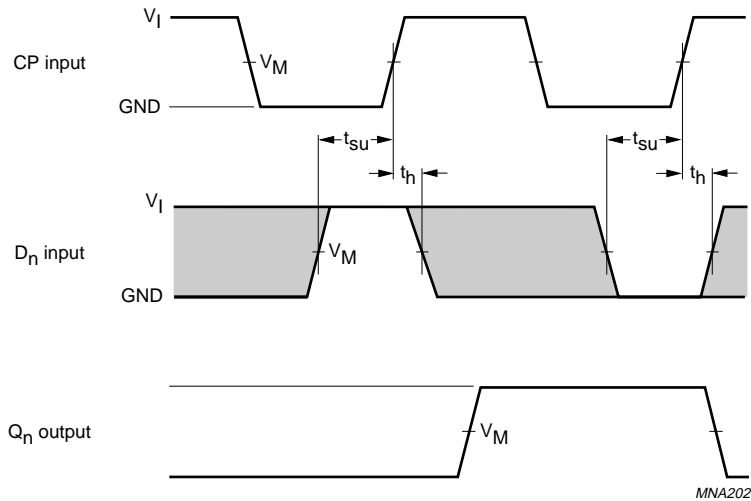


V _{CC}	V _M	INPUT	
		V _I	t _r = t _f
1.65 to 1.95 V	0.5 × V _{CC}	V _{CC}	≤ 2.0 ns
2.3 to 2.7 V	0.5 × V _{CC}	V _{CC}	≤ 2.0 ns
2.7 V	1.5 V	2.7 V	≤ 2.5 ns
3.0 to 3.6 V	1.5 V	2.7 V	≤ 2.5 ns

Fig.6 Input D_n to output Q_n propagation delay times and clock pulse width and frequency.

Octal D-type flip-flop; positive edge-trigger;
3-state

74ALVC574



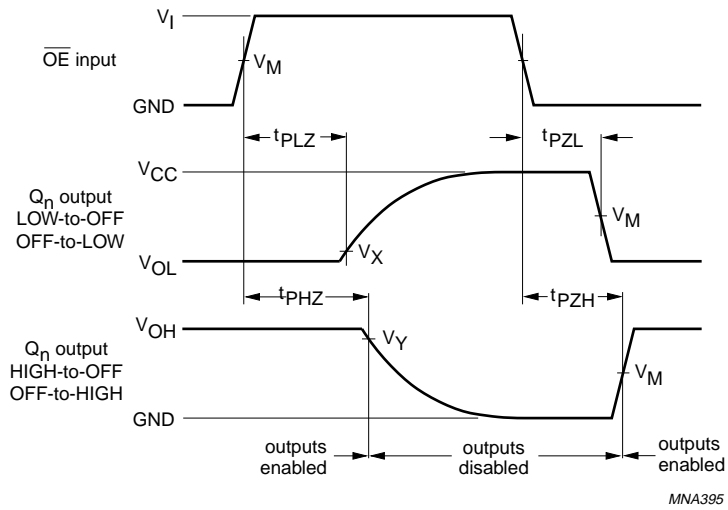
V _{CC}	V _M	INPUT	
		V _I	t _r = t _f
1.65 to 1.95 V	0.5 × V _{CC}	V _{CC}	≤ 2.0 ns
2.3 to 2.7 V	0.5 × V _{CC}	V _{CC}	≤ 2.0 ns
2.7 V	1.5 V	2.7 V	≤ 2.5 ns
3.0 to 3.6 V	1.5 V	2.7 V	≤ 2.5 ns

The shaded areas indicate when the input is permitted to change for predictable output performance.

Fig.7 Data set-up and hold times for D_n to CP.

Octal D-type flip-flop; positive edge-trigger;
3-state

74ALVC574



V _{CC}	V _M	INPUT	
		V _I	t _r = t _f
1.65 to 1.95 V	0.5 × V _{CC}	V _{CC}	≤ 2.0 ns
2.3 to 2.7 V	0.5 × V _{CC}	V _{CC}	≤ 2.0 ns
2.7 V	1.5 V	2.7 V	≤ 2.5 ns
3.0 to 3.6 V	1.5 V	2.7 V	≤ 2.5 ns

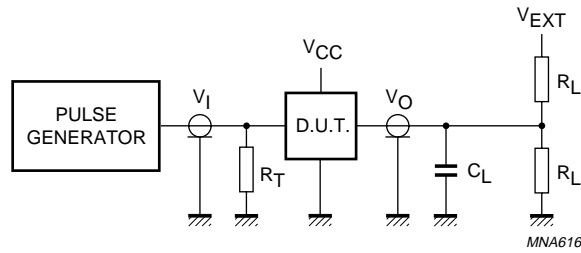
V_x = V_{OL} + 0.3 V at V_{CC} ≥ 2.7 V;
 V_x = V_{OL} + 0.15 V at V_{CC} < 2.7 V;
 V_y = V_{OH} - 0.3 V at V_{CC} ≥ 2.7 V;
 V_y = V_{OH} - 0.15 V at V_{CC} < 2.7 V.

V_{OL} and V_{OH} are typical output voltage drop that occur with the output load.

Fig.8 3-state enable and disable times.

Octal D-type flip-flop; positive edge-trigger;
3-state

74ALVC574



V _{CC}	V _I	C _L	R _L	V _{EXT}		
				t _{PLH} /t _{PHL}	t _{PZH} /t _{PHZ}	t _{PZL} /t _{PLZ}
1.65 to 1.95 V	V _{CC}	30 pF	1 kΩ	open	GND	2 × V _{CC}
2.3 to 2.7 V	V _{CC}	30 pF	500 Ω	open	GND	2 × V _{CC}
2.7 V	2.7 V	50 pF	500 Ω	open	GND	6 V
3.0 to 3.6 V	2.7 V	50 pF	500 Ω	open	GND	6 V

R_L = Load resistor.

C_L = Load capacitance including jig and probe capacitance.

R_T = Termination resistance should be equal to the output impedance Z_o of the pulse generator.

Fig.9 Load circuitry for switching times.

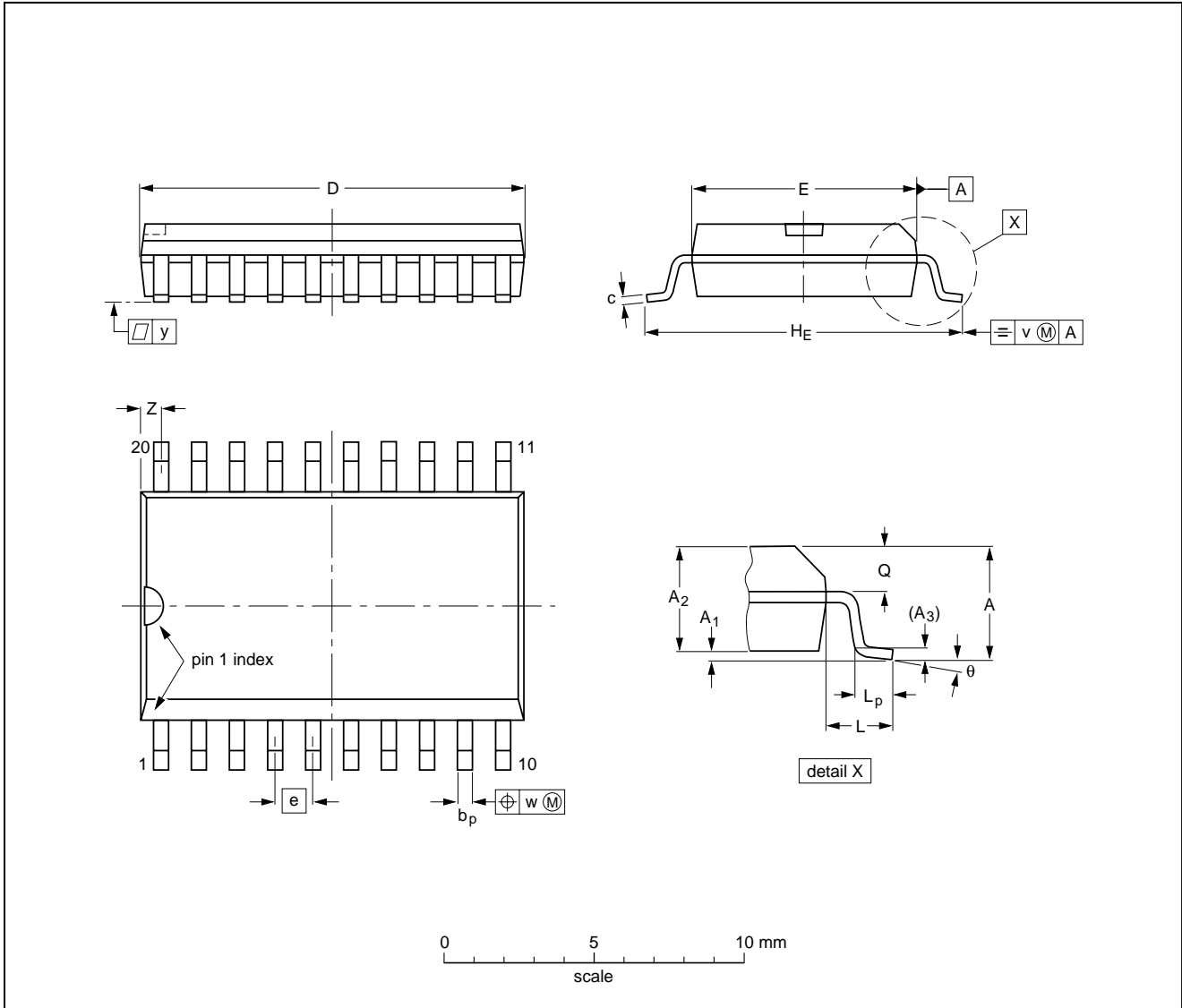
Octal D-type flip-flop; positive edge-trigger;
3-state

74ALVC574

PACKAGE OUTLINES

SO20: plastic small outline package; 20 leads; body width 7.5 mm

SOT163-1



DIMENSIONS (inch dimensions are derived from the original mm dimensions)

UNIT	A max.	A ₁	A ₂	A ₃	b _p	c	D ⁽¹⁾	E ⁽¹⁾	e	H _E	L	L _p	Q	v	w	y	z ⁽¹⁾	θ
mm	2.65	0.30 0.10	2.45 2.25	0.25	0.49 0.36	0.32 0.23	13.0 12.6	7.6 7.4	1.27	10.65 10.00	1.4	1.1 0.4	1.1 1.0	0.25	0.25	0.1	0.9 0.4	8° 0°
inches	0.10	0.012 0.004	0.096 0.089	0.01	0.019 0.014	0.013 0.009	0.51 0.49	0.30 0.29	0.050	0.419 0.394	0.055	0.043 0.016	0.043 0.039	0.01	0.01	0.004	0.035 0.016	

Note

1. Plastic or metal protrusions of 0.15 mm maximum per side are not included.

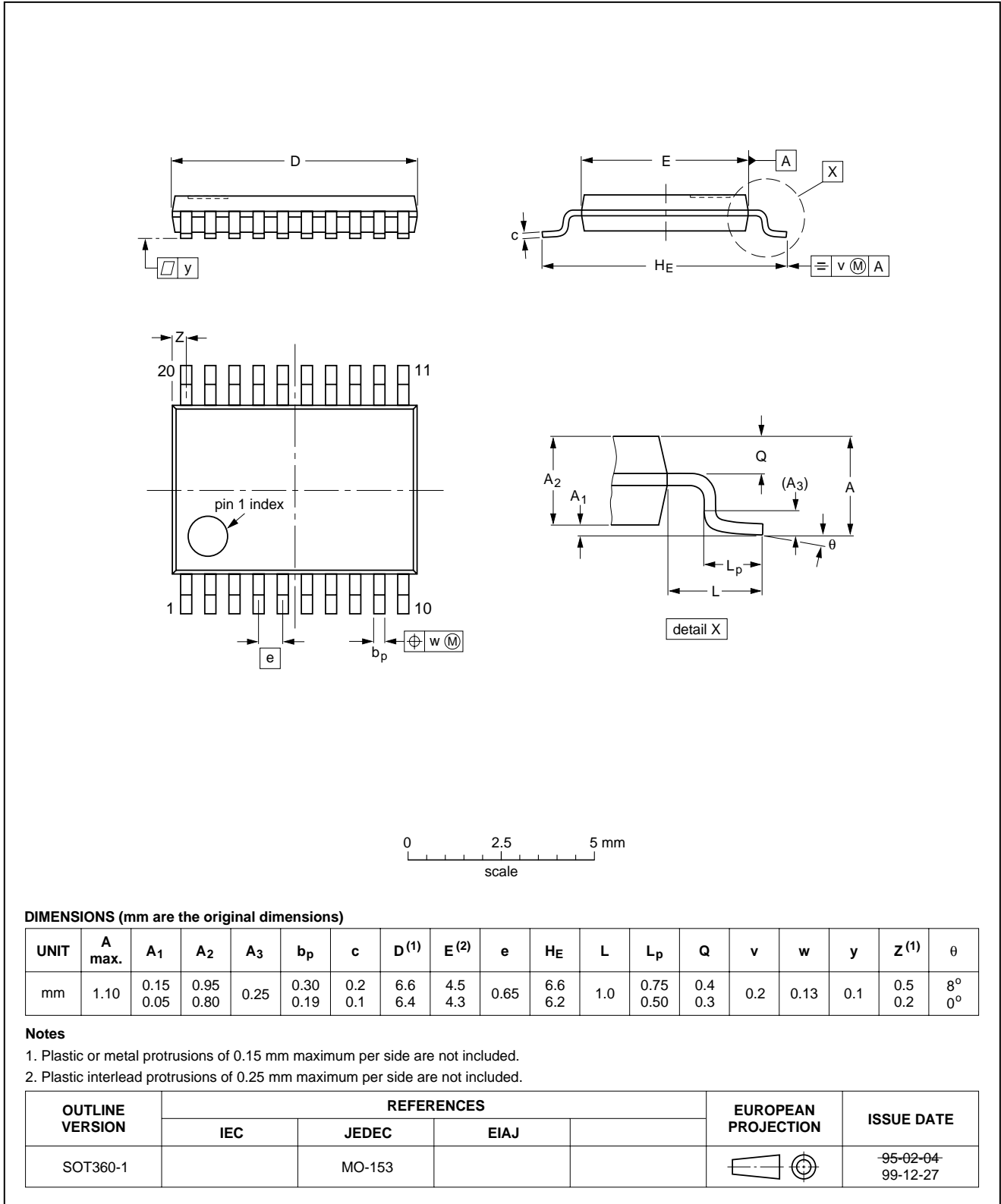
OUTLINE VERSION	REFERENCES				EUROPEAN PROJECTION	ISSUE DATE
	IEC	JEDEC	EIAJ			
SOT163-1	075E04	MS-013				97-05-22 99-12-27

Octal D-type flip-flop; positive edge-trigger;
3-state

74ALVC574

TSSOP20: plastic thin shrink small outline package; 20 leads; body width 4.4 mm

SOT360-1



Octal D-type flip-flop; positive edge-trigger; 3-state

74ALVC574

SOLDERING

Introduction to soldering surface mount packages

This text gives a very brief insight to a complex technology. A more in-depth account of soldering ICs can be found in our *"Data Handbook IC26; Integrated Circuit Packages"* (document order number 9398 652 90011).

There is no soldering method that is ideal for all surface mount IC packages. Wave soldering can still be used for certain surface mount ICs, but it is not suitable for fine pitch SMDs. In these situations reflow soldering is recommended.

Reflow soldering

Reflow soldering requires solder paste (a suspension of fine solder particles, flux and binding agent) to be applied to the printed-circuit board by screen printing, stencilling or pressure-syringe dispensing before package placement.

Several methods exist for reflowing; for example, convection or convection/infrared heating in a conveyor type oven. Throughput times (preheating, soldering and cooling) vary between 100 and 200 seconds depending on heating method.

Typical reflow peak temperatures range from 215 to 250 °C. The top-surface temperature of the packages should preferably be kept below 220 °C for thick/large packages, and below 235 °C for small/thin packages.

Wave soldering

Conventional single wave soldering is not recommended for surface mount devices (SMDs) or printed-circuit boards with a high component density, as solder bridging and non-wetting can present major problems.

To overcome these problems the double-wave soldering method was specifically developed.

If wave soldering is used the following conditions must be observed for optimal results:

- Use a double-wave soldering method comprising a turbulent wave with high upward pressure followed by a smooth laminar wave.
- For packages with leads on two sides and a pitch (e):
 - larger than or equal to 1.27 mm, the footprint longitudinal axis is **preferred** to be parallel to the transport direction of the printed-circuit board;
 - smaller than 1.27 mm, the footprint longitudinal axis **must** be parallel to the transport direction of the printed-circuit board.

The footprint must incorporate solder thieves at the downstream end.

- For packages with leads on four sides, the footprint must be placed at a 45° angle to the transport direction of the printed-circuit board. The footprint must incorporate solder thieves downstream and at the side corners.

During placement and before soldering, the package must be fixed with a droplet of adhesive. The adhesive can be applied by screen printing, pin transfer or syringe dispensing. The package can be soldered after the adhesive is cured.

Typical dwell time is 4 seconds at 250 °C.

A mildly-activated flux will eliminate the need for removal of corrosive residues in most applications.

Manual soldering

Fix the component by first soldering two diagonally-opposite end leads. Use a low voltage (24 V or less) soldering iron applied to the flat part of the lead. Contact time must be limited to 10 seconds at up to 300 °C.

When using a dedicated tool, all other leads can be soldered in one operation within 2 to 5 seconds between 270 and 320 °C.

Octal D-type flip-flop; positive edge-trigger;
3-state

74ALVC574

Suitability of surface mount IC packages for wave and reflow soldering methods

PACKAGE	SOLDERING METHOD	
	WAVE	REFLOW ⁽¹⁾
BGA, LFBGA, SQFP, TFBGA	not suitable	suitable
HBCC, HLQFP, HSQFP, HSOP, HTQFP, HTSSOP, SMS	not suitable ⁽²⁾	suitable
PLCC ⁽³⁾ , SO, SOJ	suitable	suitable
LQFP, QFP, TQFP	not recommended ⁽³⁾⁽⁴⁾	suitable
SSOP, TSSOP, VSO	not recommended ⁽⁵⁾	suitable

Notes

1. All surface mount (SMD) packages are moisture sensitive. Depending upon the moisture content, the maximum temperature (with respect to time) and body size of the package, there is a risk that internal or external package cracks may occur due to vaporization of the moisture in them (the so called popcorn effect). For details, refer to the Drypack information in the *"Data Handbook IC26; Integrated Circuit Packages; Section: Packing Methods"*.
2. These packages are not suitable for wave soldering as a solder joint between the printed-circuit board and heatsink (at bottom version) can not be achieved, and as solder may stick to the heatsink (on top version).
3. If wave soldering is considered, then the package must be placed at a 45° angle to the solder wave direction. The package footprint must incorporate solder thieves downstream and at the side corners.
4. Wave soldering is only suitable for LQFP, TQFP and QFP packages with a pitch (e) equal to or larger than 0.8 mm; it is definitely not suitable for packages with a pitch (e) equal to or smaller than 0.65 mm.
5. Wave soldering is only suitable for SSOP and TSSOP packages with a pitch (e) equal to or larger than 0.65 mm; it is definitely not suitable for packages with a pitch (e) equal to or smaller than 0.5 mm.

Octal D-type flip-flop; positive edge-trigger; 3-state

74ALVC574

DATA SHEET STATUS

DATA SHEET STATUS ⁽¹⁾	PRODUCT STATUS ⁽²⁾	DEFINITIONS
Objective data	Development	This data sheet contains data from the objective specification for product development. Philips Semiconductors reserves the right to change the specification in any manner without notice.
Preliminary data	Qualification	This data sheet contains data from the preliminary specification. Supplementary data will be published at a later date. Philips Semiconductors reserves the right to change the specification without notice, in order to improve the design and supply the best possible product.
Product data	Production	This data sheet contains data from the product specification. Philips Semiconductors reserves the right to make changes at any time in order to improve the design, manufacturing and supply. Changes will be communicated according to the Customer Product/Process Change Notification (CPCN) procedure SNW-SQ-650A.

Notes

1. Please consult the most recently issued data sheet before initiating or completing a design.
2. The product status of the device(s) described in this data sheet may have changed since this data sheet was published. The latest information is available on the Internet at URL <http://www.semiconductors.philips.com>.

DEFINITIONS

Short-form specification — The data in a short-form specification is extracted from a full data sheet with the same type number and title. For detailed information see the relevant data sheet or data handbook.

Limiting values definition — Limiting values given are in accordance with the Absolute Maximum Rating System (IEC 60134). Stress above one or more of the limiting values may cause permanent damage to the device. These are stress ratings only and operation of the device at these or at any other conditions above those given in the Characteristics sections of the specification is not implied. Exposure to limiting values for extended periods may affect device reliability.

Application information — Applications that are described herein for any of these products are for illustrative purposes only. Philips Semiconductors make no representation or warranty that such applications will be suitable for the specified use without further testing or modification.

DISCLAIMERS

Life support applications — These products are not designed for use in life support appliances, devices, or systems where malfunction of these products can reasonably be expected to result in personal injury. Philips Semiconductors customers using or selling these products for use in such applications do so at their own risk and agree to fully indemnify Philips Semiconductors for any damages resulting from such application.

Right to make changes — Philips Semiconductors reserves the right to make changes, without notice, in the products, including circuits, standard cells, and/or software, described or contained herein in order to improve design and/or performance. Philips Semiconductors assumes no responsibility or liability for the use of any of these products, conveys no licence or title under any patent, copyright, or mask work right to these products, and makes no representations or warranties that these products are free from patent, copyright, or mask work right infringement, unless otherwise specified.

Octal D-type flip-flop; positive edge-trigger;
3-state

74ALVC574

NOTES

Octal D-type flip-flop; positive edge-trigger;
3-state

74ALVC574

NOTES

Philips Semiconductors – a worldwide company

Contact information

For additional information please visit <http://www.semiconductors.philips.com>. Fax: +31 40 27 24825

For sales offices addresses send e-mail to: sales.addresses@www.semiconductors.philips.com.

© Koninklijke Philips Electronics N.V. 2002

SCA74

All rights are reserved. Reproduction in whole or in part is prohibited without the prior written consent of the copyright owner.

The information presented in this document does not form part of any quotation or contract, is believed to be accurate and reliable and may be changed without notice. No liability will be accepted by the publisher for any consequence of its use. Publication thereof does not convey nor imply any license under patent- or other industrial or intellectual property rights.

Printed in The Netherlands

613508/01/pp20

Date of release: 2002 Mar 04

Document order number: 9397 750 09441

Let's make things better.

**Philips
Semiconductors**



PHILIPS