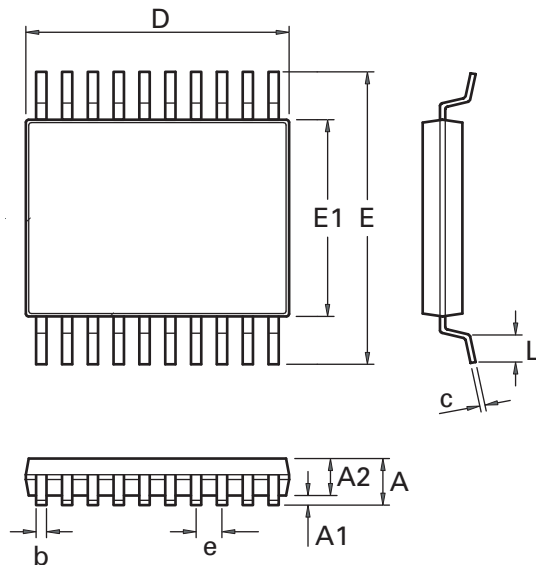


Package information - TSSOP20

Surface mounted, 20 pin package

Package outline



| DIM | Millimeters | | Inches | |
|-----|-------------|------|-----------|-------|
| | Min | Max | Min | Max |
| A | - | 1.20 | - | 0.047 |
| A1 | 0.05 | 0.15 | 0.002 | 0.006 |
| A2 | 0.80 | 1.05 | 0.031 | 0.041 |
| D | 6.40 | 6.60 | 0.252 | 0.260 |
| E | 6.40 BSC | | 0.252 BSC | |
| L | 0.45 | 0.75 | 0.018 | 0.030 |
| e | 0.65 BSC | | 0.026 BSC | |
| b | 0.19 | 0.30 | 0.007 | 0.012 |
| c | 0.09 | 0.20 | 0.004 | 0.008 |

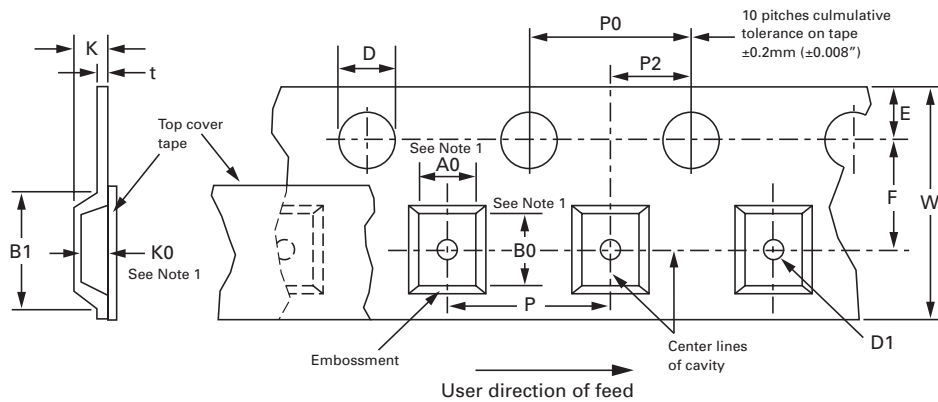
Note: Controlling dimensions are in millimeters. Approximate dimensions are provided in inches

Nominal weight

Nominal weight per device 69mg.

Package information - TSSOP20

Embossed carrier tape configuration



| Dimensions mm (inches) | Tape size (mm) | | | |
|---------------------------|--------------------------------|--|---|---|
| | 8 | 12 | 16 | 24 |
| A0, B0, K0 | See note* | See note* | See note* | See note* |
| B1 (max.) | 4.55 (0.179) | 8.20 (0.323) | 12.10 (0.476) | 20.10 (0.791) |
| D | 1.50 + 0.10 - 0.00 | 1.50 + 0.10 - 0.00 | 1.50 + 0.10 - 0.00 | 1.50 + 0.10 - 0.00 |
| D1 (max.) | 1.00 (0.039) | 1.50 (0.059) | 1.50 (0.059) | 1.50 (0.059) |
| E | 1.75 ± 0.10 | 1.75 ± 0.10 | 1.75 ± 0.10 | 1.75 ± 0.10 |
| F | 3.50 ± 0.10 (0.138 ± 0.004) | 5.50 ± 0.05 (0.217 ± 0.002) | 7.50 ± 0.10 (0.295 ± 0.004) | 11.50 ± 0.10 (0.453 ± 0.004) |
| P | 4.00 ± 0.10 (0.157 ± 0.004) | 4.00 ± 0.10 (0.157 ± 0.004) 8.00 ± 0.10 (0.315 ± 0.004) | 4.00 ± 0.10 (0.157 ± 0.004) 8.00 ± 0.10 (0.315 ± 0.004) 12.00 ± 0.10 (0.472 ± 0.004) | 4.00 ± 0.10 (0.157 ± 0.004) to 20.00 ± 0.10 (0.787 ± 0.004) in 4.00 (0.157) increments |
| P0 | 4.00 ± 0.10 | 4.00 ± 0.10 | 4.00 ± 0.10 | 4.00 ± 0.10 |
| P2 | 2.00 ± 0.05 | 2.00 ± 0.05 | 2.00 ± 0.05 | 2.00 ± 0.05 |
| t (max.) | 0.40 | 0.40 | 0.40 | 0.40 |
| W | 8.00 (0.315) | 12.00 ± 0.30 (0.472 ± 0.012) | 16.30 (0.642) | 24.30 (0.957) |

NOTES:

* A0, B0 and K0 dimensions are determined with respect to EIA/JEDEC rotational and lateral movement requirements (see fig. 1).

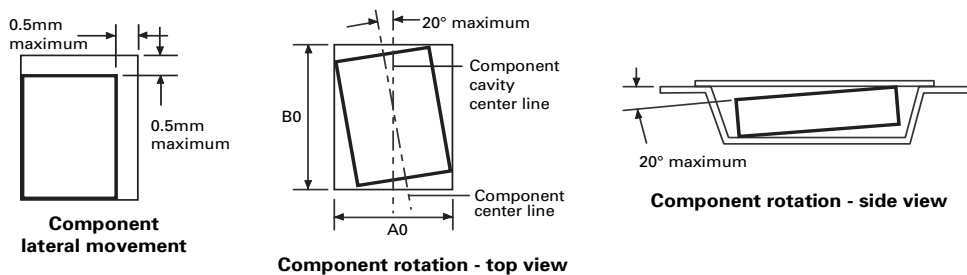
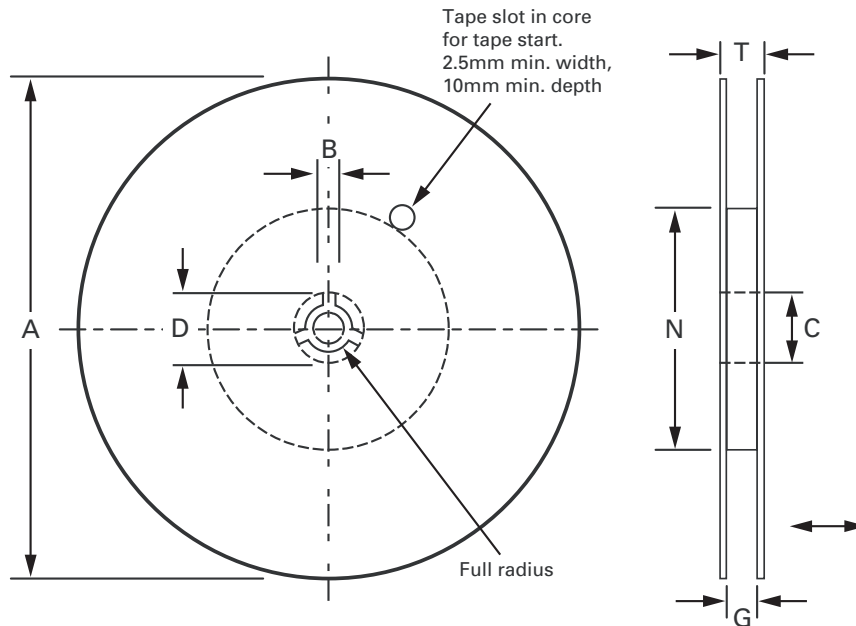


Figure 1 - rotational and lateral movement

Package information - TSSOP20

Reel configuration



| Tape size | A (max.) | B (min.) | C | D (min.) | N (min.) | G | T (max.) |
|-----------|-----------------|---------------|-------------------------------|-----------------|---------------|--|-----------------|
| 8mm | 179 (7.047) | 1.5 (0.06) | 13.00 ±0.02 (0.512 ±0.008) | 25.0 (0.984) | 50 (1.969) | 8.4 +1.5 -0.0 (0.33 +0.06 - 0.00) | 14.4 (0.567) |
| 12mm | 330 (12.992) | 1.5 (0.06) | 13.00 ±0.02 (0.512 ±0.008) | 20.2 (0.795) | 50 (1.969) | 12.4 +2.0 -0.0 (0.49 +0.079 - 0.00) | 18.4 (0.724) |
| 16mm | 330 (12.992) | 1.5 (0.06) | 13.00 ±0.02 (0.512 ±0.008) | 20.2 (0.795) | 50 (1.969) | 16.4 +2.0 -0.0 (0.65 +0.079 - 0.00) | 22.4 (0.882) |
| 24mm | 330 (12.992) | 1.5 (0.06) | 13.00 ±0.02 (0.512 ±0.008) | 20.2 (0.795) | 60 (2.362) | 24.4 +2.0 -0.0 (0.96 +0.079 -0.00) | 30.4 (1.197) |

This publication is issued to provide outline information only which (unless agreed by the company in writing) may not be used, applied or reproduced for any purpose or form part of any order or contact or be regarded as a representation relating to the products or services concerned. The company reserves the right to alter without notice the specification, design, price or conditions of supply of any product or service.