

Preliminary Data

Overview

Features

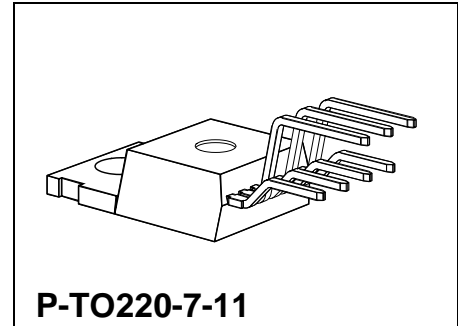
- Delivers up to 5 A continuous 6 A peak current
- Optimized for DC motor management applications
- Operates at supply voltages up to 40 V
- Very low $R_{DS\ ON}$; typ. 200 m Ω @ 25 °C per switch
- Output full short circuit protected
- Overtemperature protection with hysteresis and diagnosis
- Short circuit and open load diagnosis with open drain error flag
- Undervoltage lockout
- CMOS/TTL compatible inputs with hysteresis
- No crossover current
- Internal freewheeling diodes
- Wide temperature range; $-40\text{ °C} < T_j < 150\text{ °C}$

Type	Ordering Code	Package
TLE 5206-2	Q67000-A9290	P-TO220-7-11
TLE 5206-2GP	Q67006-A9239	P-DSO-20-10
TLE 5206-2G	Q67006-A9323	P-TO263-7-1
TLE 5206-2S	Q67000-A9326	P-TO220-7-12

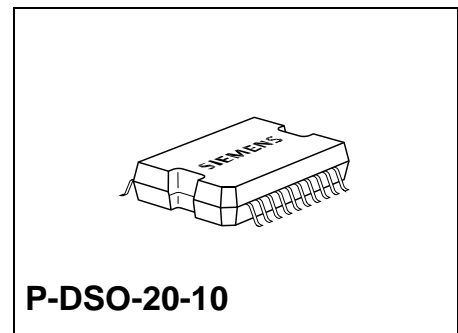
Description

The TLE 5206-2 is an integrated power H-bridge with DMOS output stages for driving DC-Motors. The part is built using the SIEMENS multi-technology process SPT® which allows bipolar and CMOS control circuitry plus DMOS power devices to exist on the same monolithic structure.

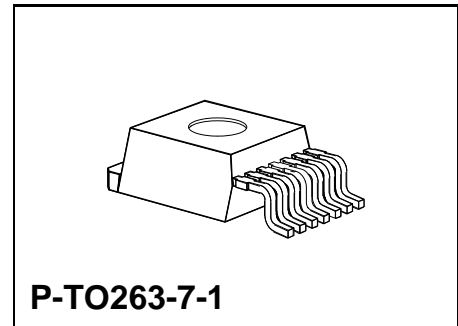
Operation modes forward (cw), reverse (ccw), brake high and brake low are invoked from just two control pins with TTL/CMOS compatible levels. The combination of an extremely low $R_{DS\ ON}$ and the use of a power IC package with low thermal resistance and high thermal capacity helps to minimize system power dissipation. A blocking capacitor at the supply voltage is the only external circuitry due to the integrated freewheeling diodes.



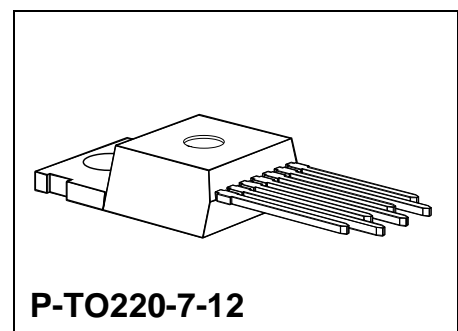
P-TO220-7-11



P-DSO-20-10



P-TO263-7-1



P-TO220-7-12

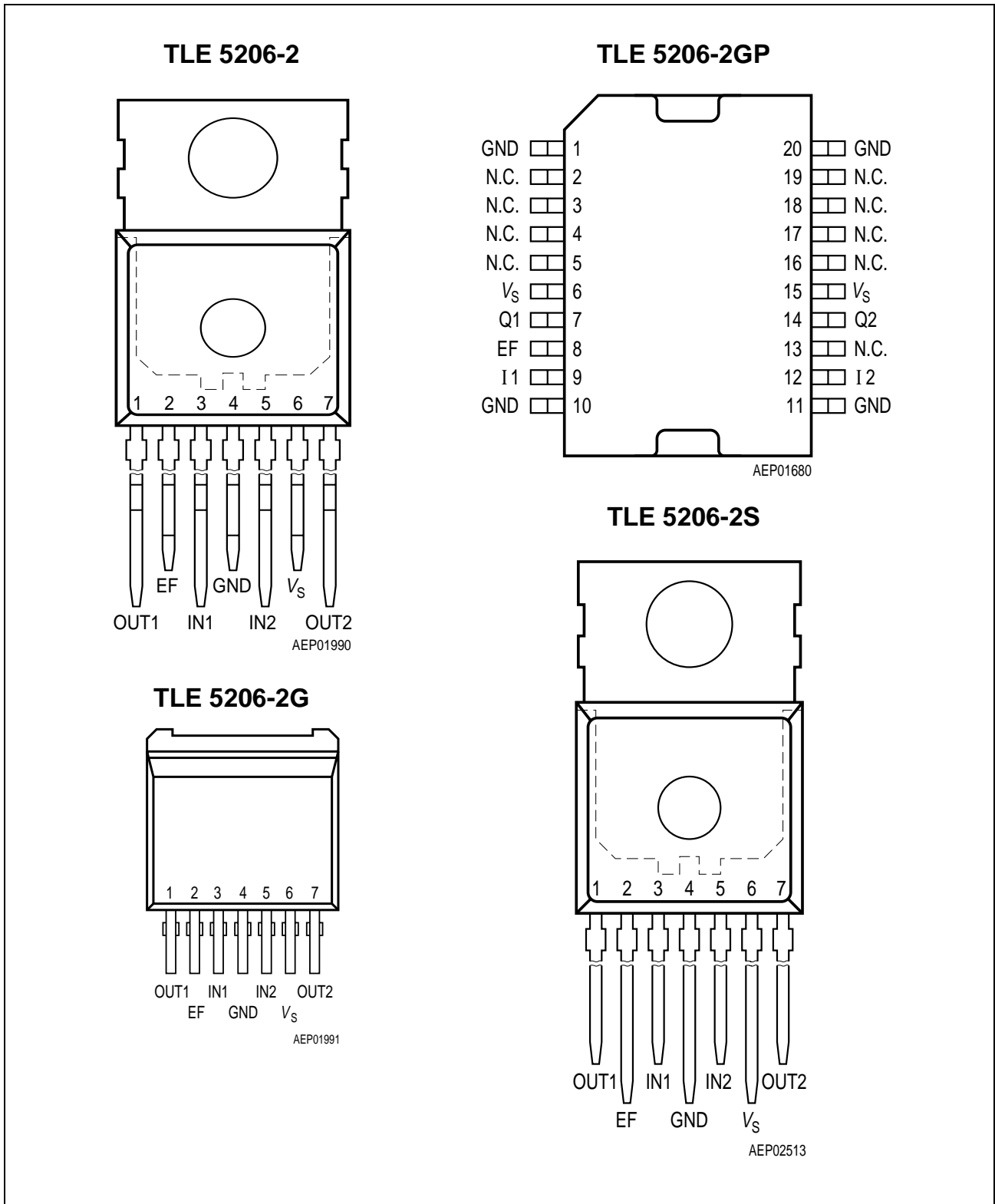


Figure 1 Pin Configuration (top view)

Pin Definitions and Functions

Pin No. P-TO220	Pin No. P-DSO	Symbol	Function
1	7	OUT1	Output of channel 1; Short-circuit protected; integrated freewheeling diodes for inductive loads.
2	8	EF	Error flag; TTL/CMOS compatible output for error detection; (open drain)
3	9	IN1	Control input 1; TTL/CMOS compatible
4	1, 10, 11, 20	GND	Ground; internally connected to tab
5	12	IN2	Control input 2; TTL/CMOS compatible
6	6, 15	V_S	Supply voltage; block to GND
7	14	OUT2	Output of channel 2; Short-circuit protected; integrated freewheeling diodes for inductive loads.
–	2, 3, 4, 5, 16, 17, 18, 19	N.C.	Not connected

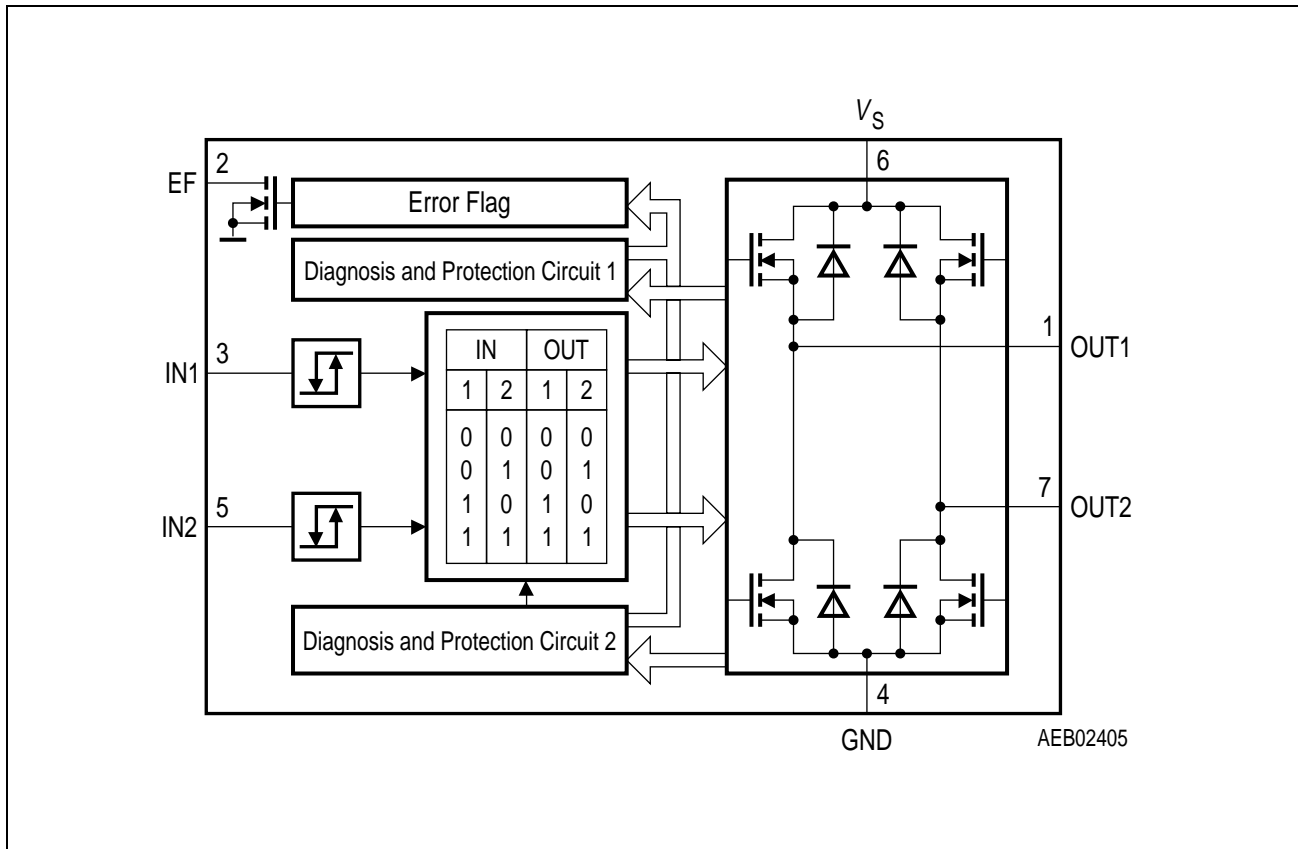


Figure 2 Block Diagram

Circuit Description

Input Circuit

The control inputs consist of TTL/CMOS-compatible schmitt-triggers with hysteresis. Buffer amplifiers are driven by this stages.

Output Stages

The output stages consist of a DMOS H-bridge. Integrated circuits protect the outputs against short-circuit to ground and to the supply voltage. Positive and negative voltage spikes, which occur when switching inductive loads, are limited by integrated freewheeling diodes.

A monitoring circuit for each output transistor detects whether the particular transistor is active and in this case prevents the corresponding source transistor (sink transistor) from conducting in sink operation (source operation). Therefore no crossover currents can occur.

Input Logic Truth Table

Functional Truth Table

IN1	IN2	OUT1	OUT2	Comments
L	L	L	L	Brake; both low side transistors turned-ON
L	H	L	H	Motor turns counterclockwise
H	L	H	L	Motor turns clockwise
H	H	H	H	Brake; both high side transistors turned-ON

Notes for Output Stage

Symbol	Value
L	Low side transistor is turned-ON High side transistor is turned-OFF
H	High side transistor is turned-ON Low side transistor is turned-OFF

Monitoring Functions

Undervoltage lockout (UVLO):

When V_S reaches the switch on voltage $V_{S\text{ ON}}$ the IC becomes active with a hysteresis. All output transistors are switched off if the supply voltage V_S drops below the switch off value $V_{S\text{ OFF}}$.

Protective Function

Various errors like short-circuit to + V_S , ground or across the load are detected. All faults result in turn-OFF of the output stages after a delay of 50 μs and setting of the error flag EF to ground. Changing the inputs resets the error flag.

a. Output Shorted to Ground Detection

If a high side transistor is switched on and its output is shorted to ground, the output current is internally limited. After a delay of 50 μs all outputs will be switched-OFF and the error flag is set.

b. Output Shorted to + V_S Detection

If a low side transistor is switched on and its output is shorted to the supply voltage, the output current is internally limited. After a delay of 50 μs all outputs will be switched-OFF and the error flag is set.

c. Overload Detection

An internal circuit detects if the current through the low side transistor exceeds the trippoint I_{SDL} . In this case all outputs are turned off after 50 μs and the error flag is set.

d. Overtemperature Protection

At a junction temperature higher than 150 °C the thermal shutdown turns-OFF, all four output stages commonly and the error flag is set with a delay.

Diagnosis

Various errors as listed in the table "Diagnosis" are detected. Short circuits and overload result in turning off the output stages after a delay (t_{doff} for short circuit) and setting the error flag simultaneously [EF = L]. Changing the inputs to a state where the fault is not detectable resets the error flag (input toggling) with the exception of short circuit from OUT1 to OUT2 (load short circuit).

Flag	IN1	IN2	OUT1	OUT2	EF	Remarks
Short circuit from OUT1 to OUT2	0	0	L	L	1	Not detectable
	0	1	X	X	0	
	1	0	X	X	0	Not detectable
	1	1	H	H	1	
Short circuit from OUT1 to GND	0	0	GND	L	1	Not detectable
	0	1	GND	X	1	Not detectable
	1	0	GND	L	0	
	1	1	GND	X	0	
Short circuit from OUT2 to GND	0	0	L	GND	1	Not detectable
	0	1	L	GND	0	
	1	0	X	GND	1	Not detectable
	1	1	X	GND	0	
Short circuit from OUT1 to V_s	0	0	V_s	X	0	Not detectable
	0	1	V_s	H	0	
	1	0	V_s	X	1	Not detectable
	1	1	V_s	H	1	Not detectable
Short circuit from OUT2 to V_s	0	0	X	V_s	0	Not detectable
	0	1	X	V_s	1	
	1	0	H	V_s	0	Not detectable
	1	1	H	V_s	1	
Overtemperature or undervoltage	0	0	Z	Z	0	
	0	1	Z	Z	0	
	1	0	Z	Z	0	
	1	1	Z	Z	0	

IN: 0 = Logic LOW
1 = Logic HIGH

OUT: Z = Output in tristate condition
L = Output in sink condition
H = Output in source condition
X = Voltage level undefined

EF: 1 = No error
0 = Error

For Open circuit detection, use the TLE 5205-2.

Electrical Characteristics

Absolute Maximum Ratings

$-40\text{ °C} < T_j < 150\text{ °C}$

Parameter	Symbol	Limit Values		Unit	Remarks
		min.	max.		

Voltages

Supply voltage	V_S	-0.3	40	V	-
		-1	40	V	$t < 0.5\text{ s}; I_S > -5\text{ A}$
Logic input voltage	$V_{IN1,2}$	-0.3	7	V	$0\text{ V} < V_S < 40\text{ V}$
Diagnostics output voltage	V_{EF}	-0.3	7	V	-

Currents of DMOS-Transistors and Freewheeling Diodes

Output current (cont.)	$I_{OUT1,2}$	-5	5	A	-
Output current (peak)	$I_{OUT1,2}$	-6	6	A	$t_p < 100\text{ ms}; T = 1\text{ s}$
Output current (peak)	$I_{OUT1,2}$	-	-	A	$t_p < 50\text{ }\mu\text{s}; T = 1\text{ s};$ internally limited; see overcurrent

Temperatures

Junction temperature	T_j	-40	150	°C	-
Storage temperature	T_{stg}	-50	150	°C	-

Thermal Resistances

Junction case	R_{thjC}	-	3	K/W	P-TO220-7-11/12, P-TO263-7-1
Junction ambient	R_{thjA}	-	65	K/W	P-TO220-7-11/12
		-	75	K/W	P-TO263-7-1
Junction case	R_{thjC}	-	5	K/W	P-DSO-20-10
Junction ambient	R_{thjA}	-	50	K/W	P-DSO-20-10

Note: Maximum ratings are absolute ratings; exceeding any one of these values may cause irreversible damage to the integrated circuit.

Operating Range

Parameter	Symbol	Limit Values		Unit	Remarks
		min.	max.		
Supply voltage	V_S	$V_{UV\ ON}$	40	V	After V_S rising above $V_{UV\ ON}$
Supply voltage increasing		- 0.3	$V_{UV\ ON}$	V	Outputs in tristate condition
Supply voltage decreasing		- 0.3	$V_{UV\ OFF}$	V	
Logic input voltage	$V_{IN1, 2}$	- 0.3	7	V	-
Junction temperature	T_j	- 40	150	°C	-

Electrical Characteristics

$6\text{ V} < V_S < 18\text{ V}$; $IN1 = IN2 = \text{HIGH}$

$I_{OUT1, 2} = 0\text{ A}$ (No load); $- 40\text{ °C} < T_j < 150\text{ °C}$; unless otherwise specified

Parameter	Symbol	Limit Values			Unit	Test Condition
		min.	typ.	max.		

Current Consumption

Quiescent current	I_S	-	-	10	mA	$IN1 = IN2 = \text{LOW}$; $V_S = 13.2\text{ V}$
-------------------	-------	---	---	----	----	---

Under Voltage Lockout

UV-Switch-ON voltage	$V_{UV\ ON}$	-	5	6	V	V_S increasing
UV-Switch-OFF voltage	$V_{UV\ OFF}$	3.5	4.4	-	V	V_S decreasing
UV-ON/OFF-Hysteresis	$V_{UV\ HY}$	0.2	0.6	-	V	$V_{UV\ ON} - V_{UV\ OFF}$

Electrical Characteristics (cont'd)

6 V < V_S < 18 V; IN1 = IN2 = HIGH

I_{OUT1,2} = 0 A (No load); - 40 °C < T_j < 150 °C; unless otherwise specified

Parameter	Symbol	Limit Values			Unit	Test Condition
		min.	typ.	max.		

Outputs OUT1, 2

Static Drain-Source-On Resistance

Source I _{OUT} = - 3 A	R _{DS ON H}	-	200	400	mΩ	6 V < V _S < 18 V T _j = 25 °C
			-	650	mΩ	6 V < V _S < 18 V
			350	500	mΩ	V _{S ON} < V _S ≤ 6 V T _j = 25 °C
			-	800	mΩ	V _{S ON} < V _S ≤ 6 V
Sink I _{OUT} = 3 A	R _{DS ON L}	-	200	400	mΩ	6 V < V _S < 18 V T _j = 25 °C
			-	650	mΩ	6 V < V _S < 18 V
			400	600	mΩ	V _{S ON} < V _S ≤ 6 V T _j = 25 °C
			-	1000	mΩ	V _{S ON} < V _S ≤ 6 V

Note: Values of R_{DS ON} for V_{S ON} < V_S ≤ 6 V are guaranteed by design.

Overcurrent

Source shutdown trippoint	- I _{SDH}	6	9	-	A	-
Sink shutdown trippoint	I _{SDL}	6	9	-	A	-
Shutdown delay time	t _{dSD}	25	50	80	μs	-

Short Circuit

Source current	- I _{SCH}	-	-	20	A	t < t _{dSD}
Sink current	I _{SCL}	-	-	15	A	t < t _{dSD}

Electrical Characteristics (cont'd)

6 V < V_S < 18 V; IN1 = IN2 = HIGH

$I_{OUT1,2} = 0$ A (No load); -40 °C < T_j < 150 °C; unless otherwise specified

Parameter	Symbol	Limit Values			Unit	Test Condition
		min.	typ.	max.		

Output Delay Times (device active for $t > 1$ ms)

Source ON	$t_{d\ ON\ H}$	–	7.5	20	μs	$I_{OUT} = -3$ A resistive load
Sink ON	$t_{d\ ON\ L}$	–	7.5	20	μs	$I_{OUT} = 3$ A resistive load
Source OFF	$t_{d\ OFF\ H}$	–	5	20	μs	$I_{OUT} = -3$ A resistive load
Sink OFF	$t_{d\ OFF\ L}$	–	5	20	μs	$I_{OUT} = 3$ A resistive load

Output Switching Times (device active for $t > 1$ ms)

Source ON	$t_{ON\ H}$	–	15	30	μs	$I_{OUT} = -3$ A resistive load
Sink ON	$t_{ON\ L}$	–	5	10	μs	$I_{OUT} = 3$ A resistive load
Source OFF	$t_{OFF\ H}$	–	2	5	μs	$I_{OUT} = -3$ A resistive load
Source OFF	$t_{OFF\ L}$	–	2	5	μs	$I_{OUT} = 3$ A resistive load

Clamp Diodes

Forward Voltage

High-side	V_{FH}	–	1	1.5	V	$I_F = 3$ A
Low-side	V_{FL}	–	1.1	1.5	V	$I_F = 3$ A

Leakage Current

Source	I_{LKH}	– 200	–	–	μA	OUT1 = V_S
Sink	I_{LKL}	–	–	200	μA	OUT2 = GND

Electrical Characteristics (cont'd)

$6\text{ V} < V_S < 18\text{ V}$; $IN1 = IN2 = \text{HIGH}$

$I_{OUT1,2} = 0\text{ A}$ (No load); $-40\text{ °C} < T_j < 150\text{ °C}$; unless otherwise specified

Parameter	Symbol	Limit Values			Unit	Test Condition
		min.	typ.	max.		

Logic**Control Inputs IN 1, 2**

H-input voltage threshold	V_{INH}	2.8	–	–	V	–
L-input voltage	V_{INL}	–	–	1.2	V	–
Hysteresis of input voltage	V_{INHY}	0.4	0.8	1.2	V	–
H-input current	I_{INH}	– 2	–	2	μA	$V_{IN} = 5\text{ V}$
L-input current	I_{INL}	– 10	– 4	0	μA	$V_{IN} = 0\text{ V}$

Error Flag Output EF

Low output voltage	V_{EFL}	–	0.2	0.5	V	$I_{EF} = 3\text{ mA}$
Leakage current	I_{EFL}	–	–	10	μA	$V_{EF} = 7\text{ V}$

Thermal Shutdown

Thermal shutdown junction temperature	T_{jSD}	150	175	200	$^{\circ}\text{C}$	–
Thermal switch-on junction temperature	T_{jSO}	120	–	170	$^{\circ}\text{C}$	–
Temperature hysteresis	ΔT	–	30	–	K	–

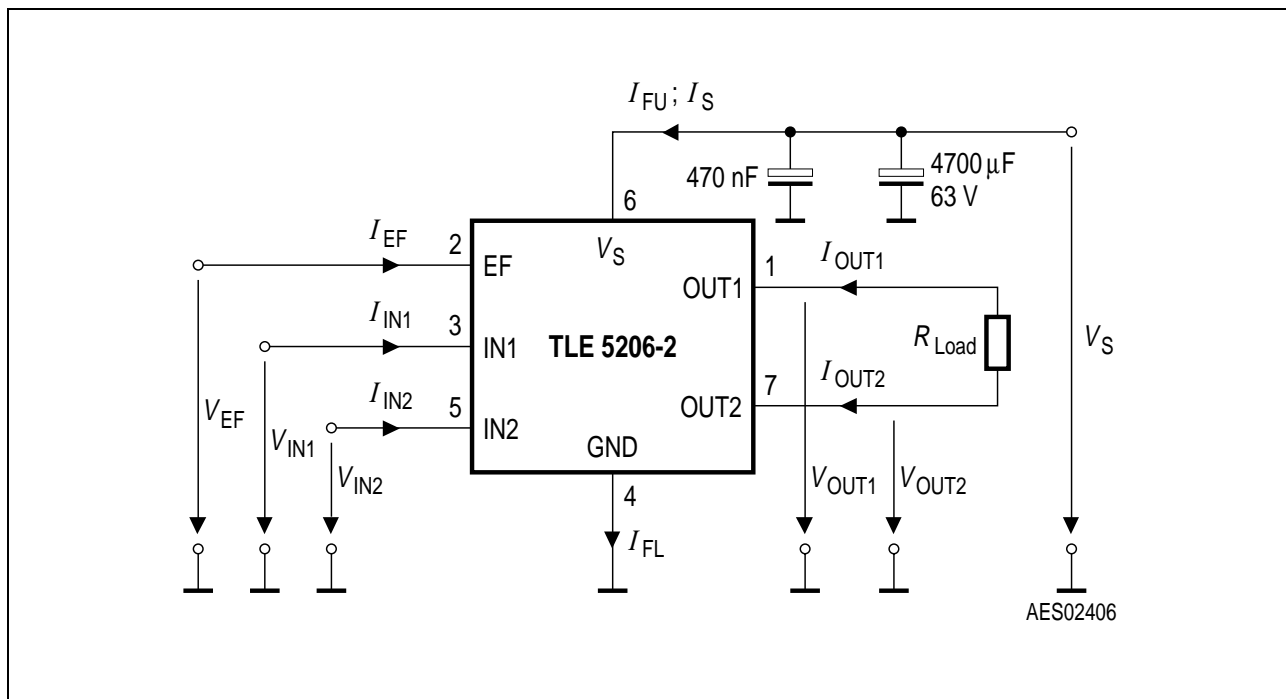


Figure 3 Test Circuit

	Overcurrent	Short Circuit	Open Circuit
I_{OUT}	I_{SD}	I_{SC}	I_{OC}

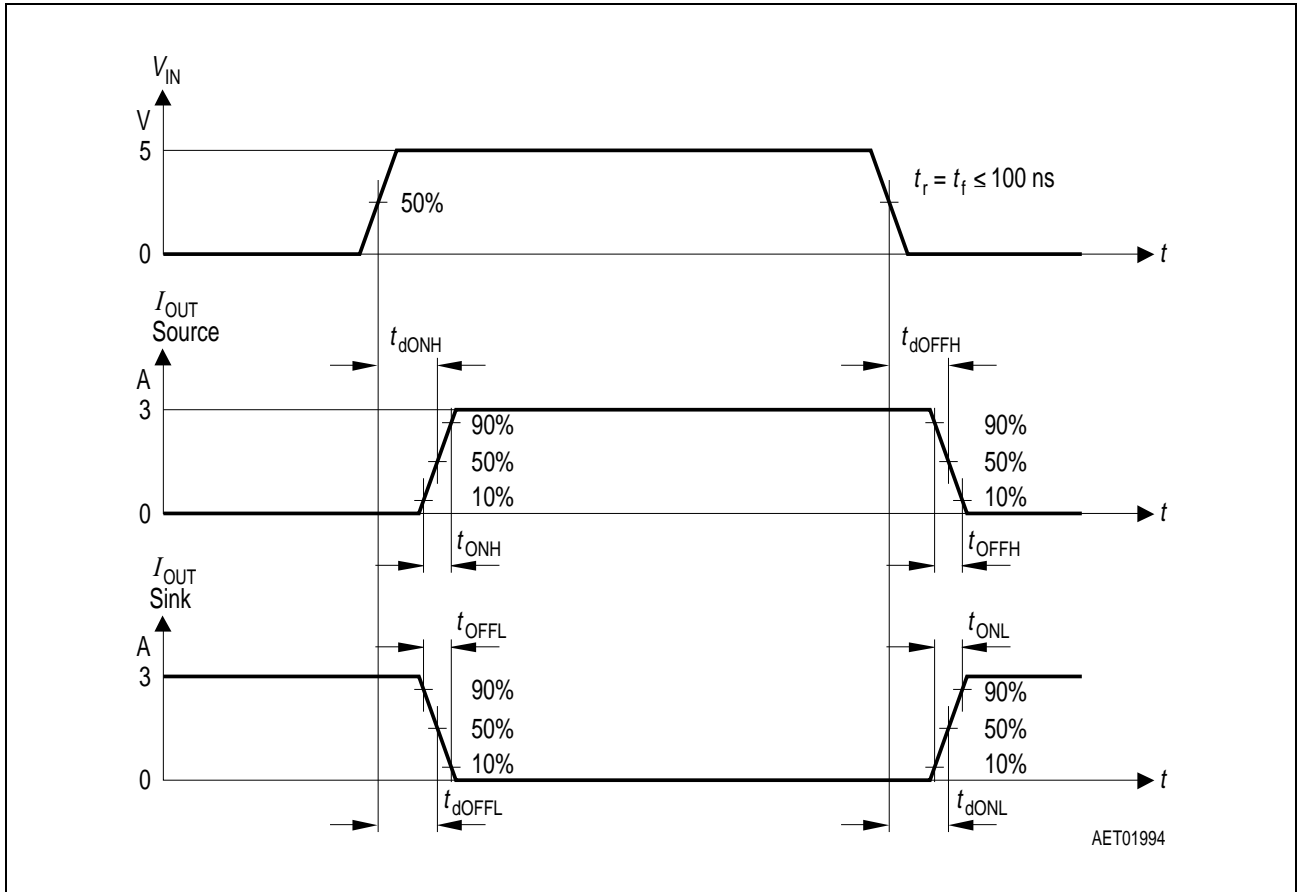


Figure 4 Switching Time Definitions

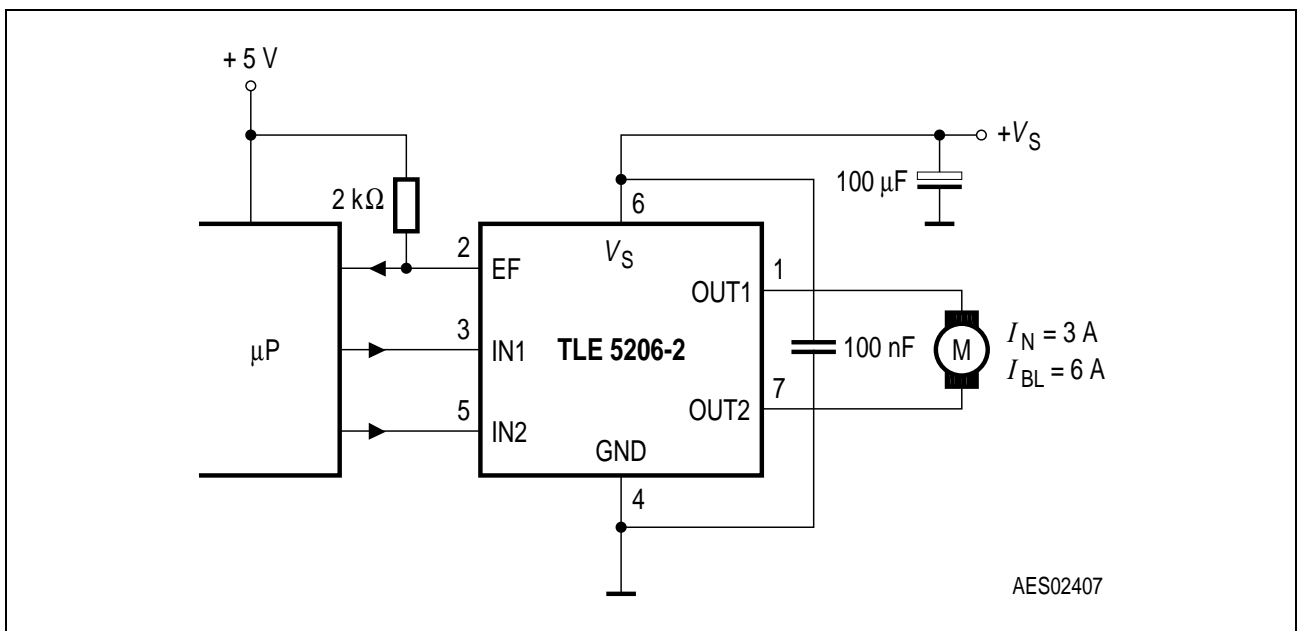


Figure 5 Application Circuit

Application Modes

1. Simple CW/CCW-Control

For low-cost application simple CW/CCW-Control without any speed regulation is recommended. A low-speed two-line interface is sufficient for the brake low, clockwise, counter clockwise and brake high command.

2. Sign/Magnitude Control

For this mode two ports with PWM capability are necessary. Motor turns clockwise (current flows from OUT1 to OUT2; means: OUT1 is switched HIGH continuously and OUT2 is PWM controlled).

To achieve motor counter clockwise turning change input signals to:
 IN1 = PWM; IN2 = H.

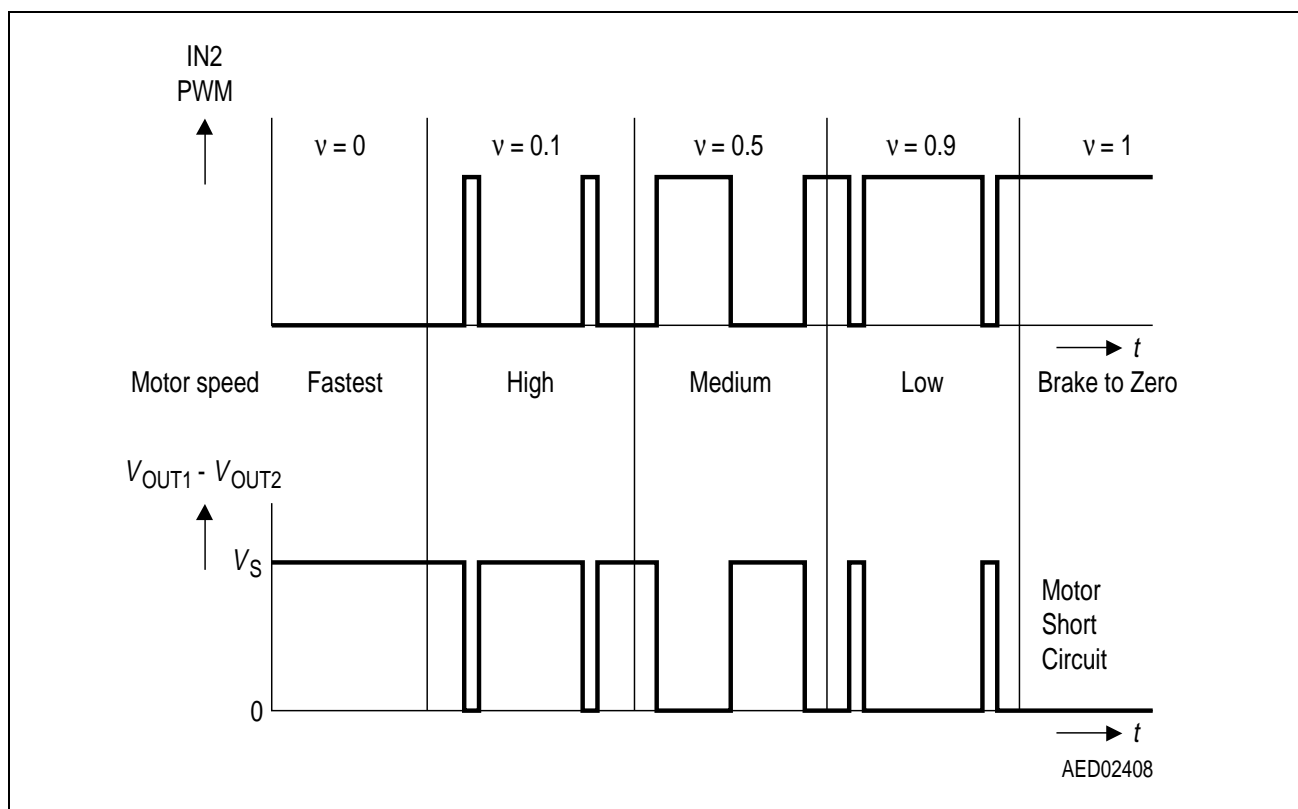
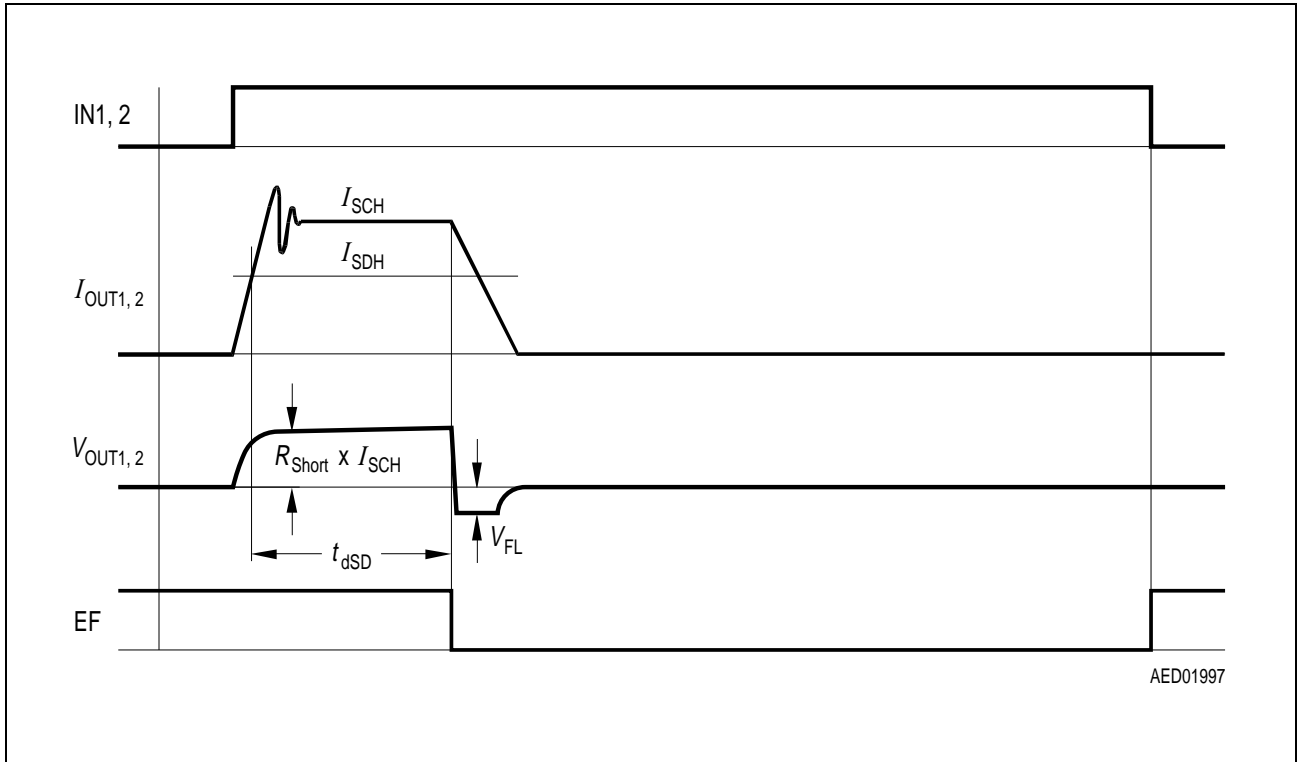


Figure 6 Input/Output Diagram for CW Operation (IN1 = H)

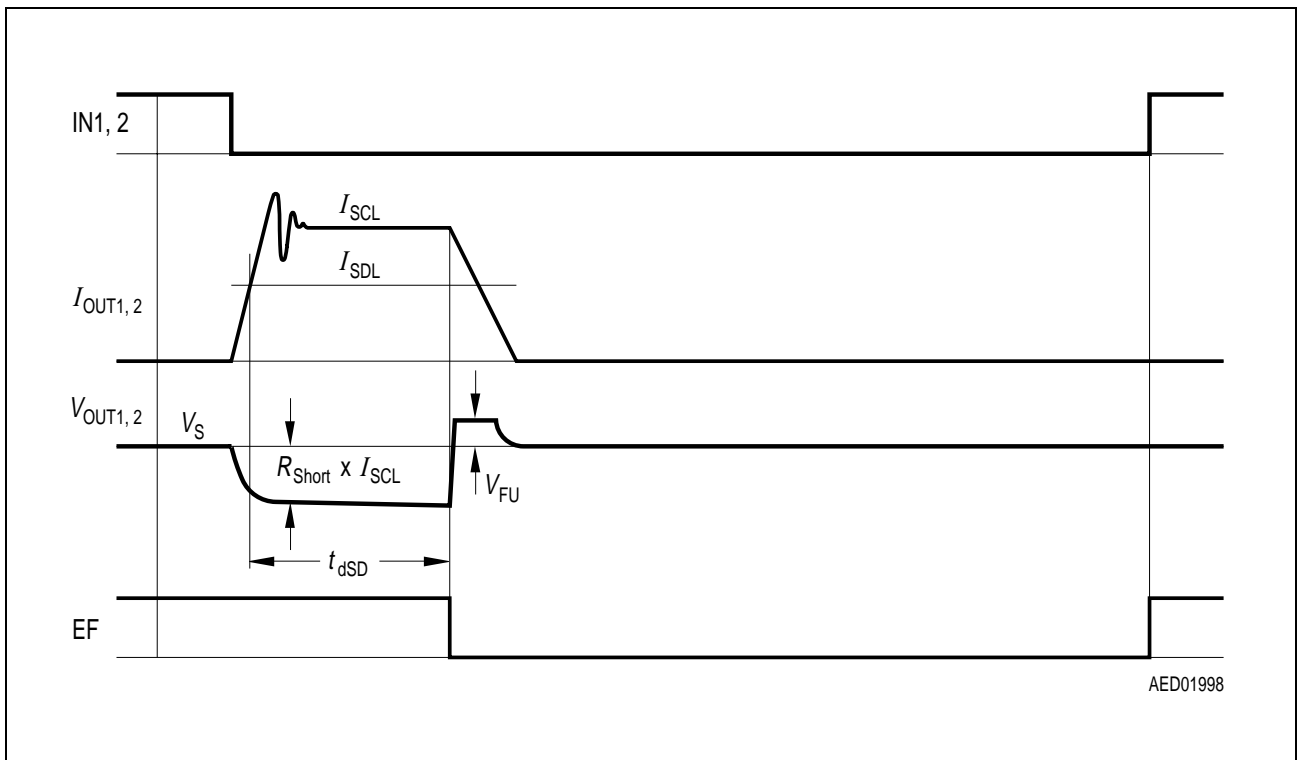
3. Locked Anti-Phase Control

The most important advantage to drive a motor in locked anti-phase mode is: Only one variable duty cycle signal is necessary in which is encoded both direction- and amplitude information. So the interface is very simple: A PWM input driven by a dedicated PWM port from μ P.



AED01997

Figure 7 Timing Diagram for Output Shorted to Ground

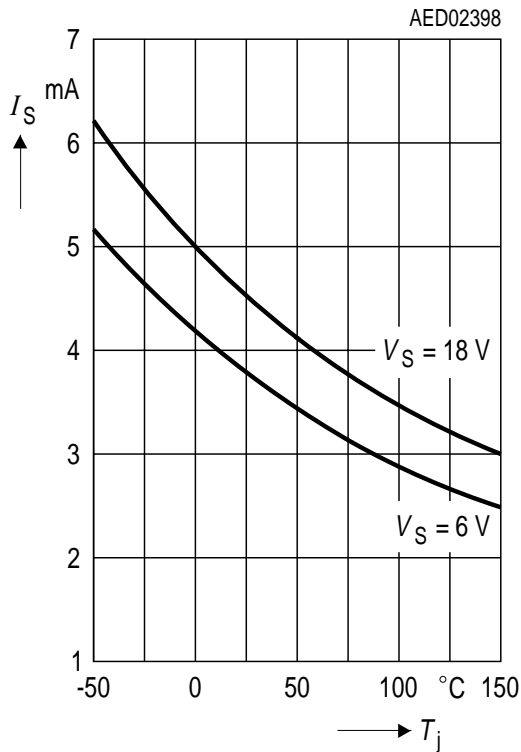


AED01998

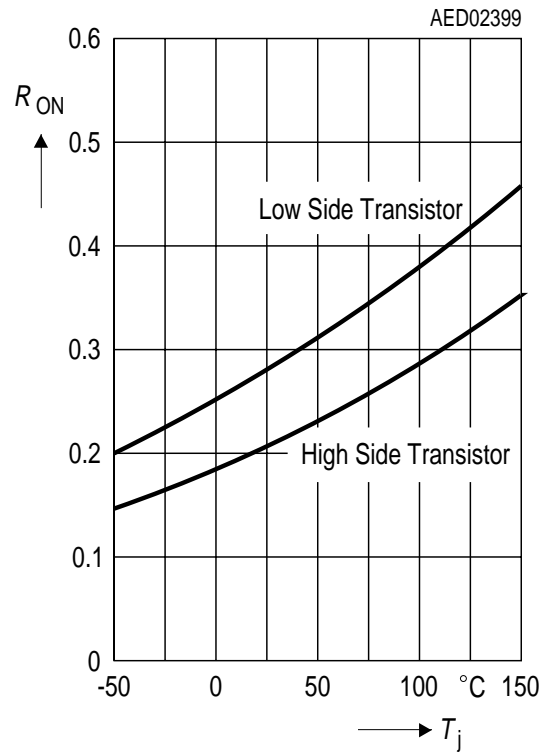
Figure 8 Timing Diagram for Output Shorted to V_S

Diagrams

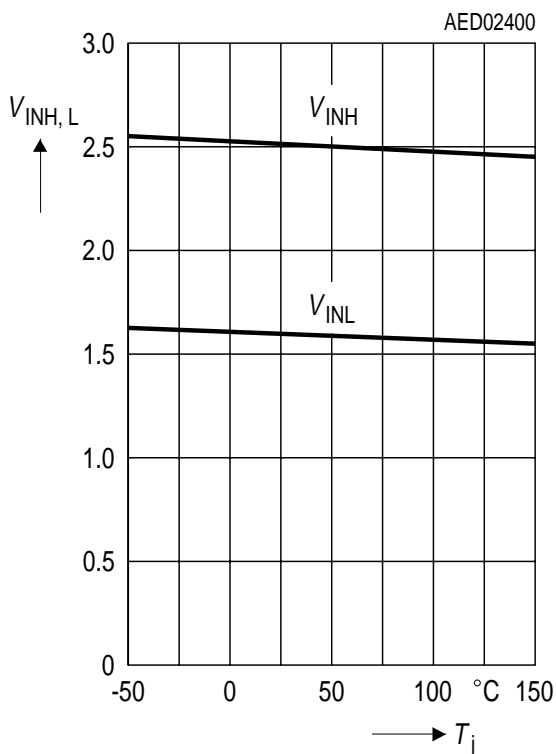
Quiescent Current I_S (active) versus Junction Temperature T_j



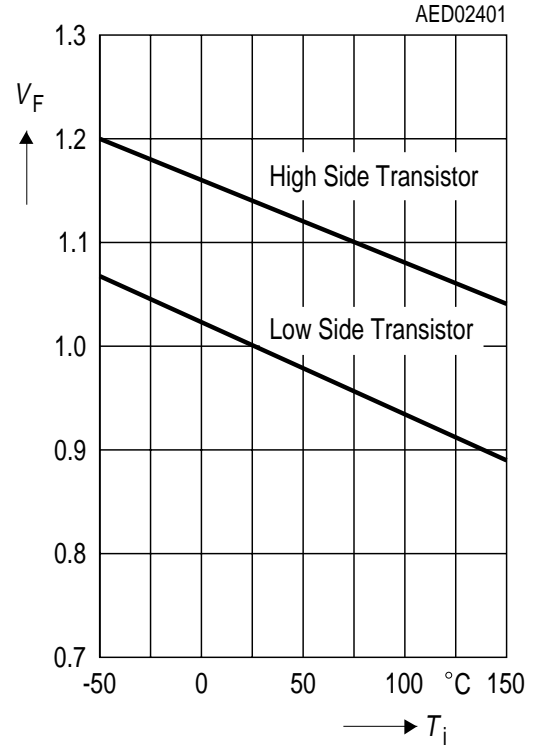
Static Drain-Source ON-Resistance versus Junction Temperature T_j



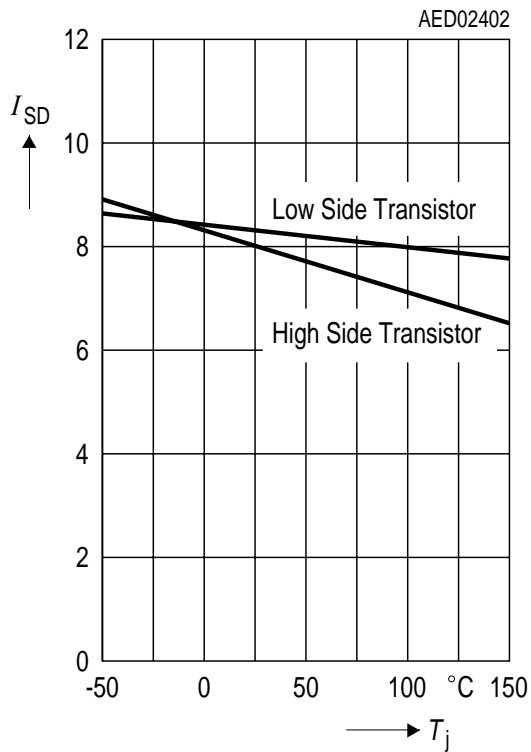
Input Switching Thresholds $V_{INH, L}$ versus Junction Temperature T_j



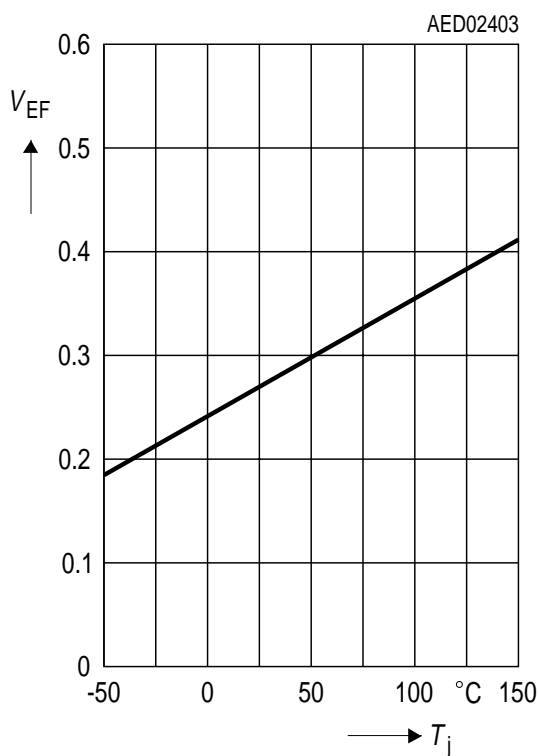
Clamp Diode Forward Voltage V_F versus Junction Temperature T_j



Overcurrent Shutdown Threshold I_{SD} versus Junction Temperature T_j

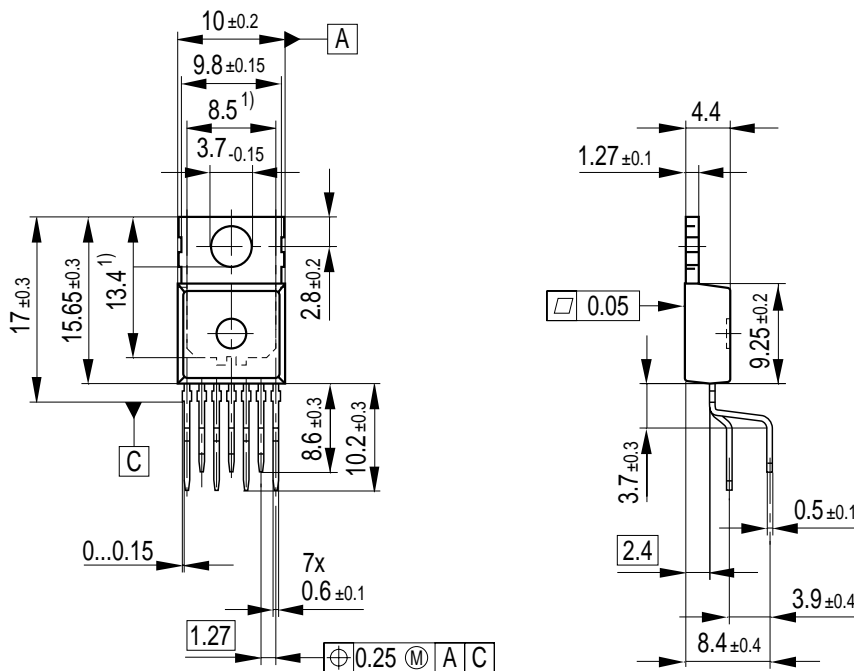


Error-Flag Saturation Output Voltage V_{EF} versus Junction Temperature T_j



Package Outlines

P-TO220-7-11
 (Plastic Transistor Single Outline Package)



1) Typical
 All metal surfaces tin plated, except area of cut.

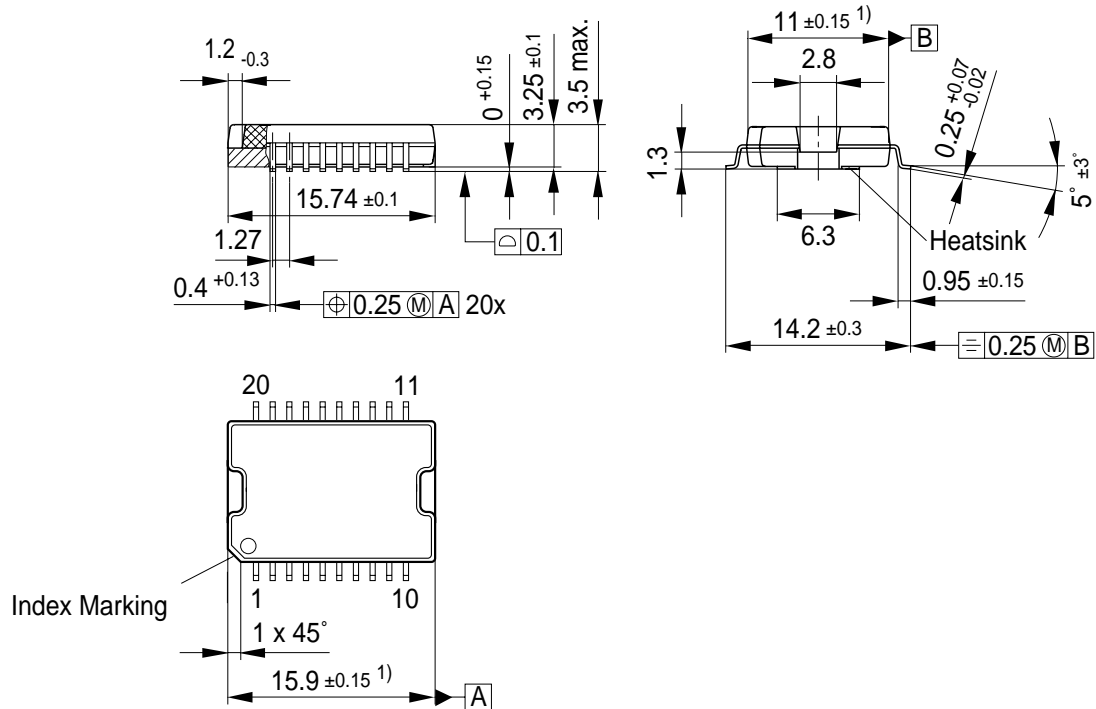
GPT09083

Sorts of Packing

Package outlines for tubes, trays etc. are contained in our Data Book "Package Information".

Dimensions in mm

P-DSO-20-10
(Plastic Dual Small Outline Package)



1) Does not include plastic or metal protrusion of 0.15 max. per side

GPS05791

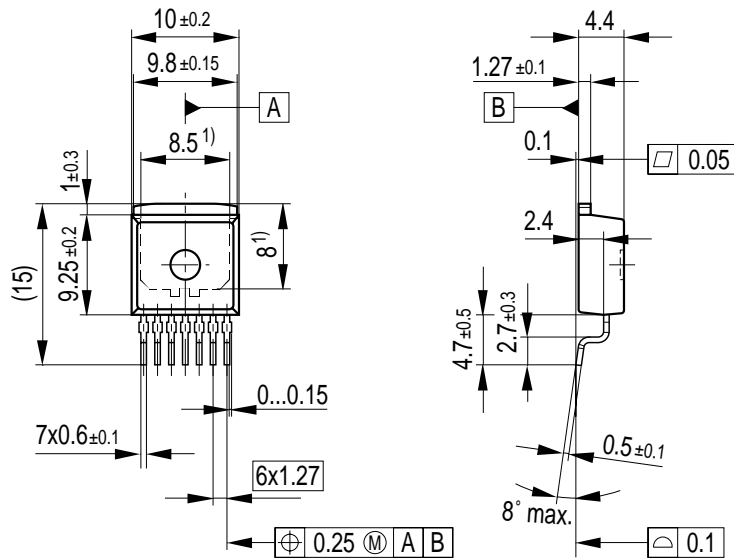
Sorts of Packing

Package outlines for tubes, trays etc. are contained in our Data Book "Package Information".

SMD = Surface Mounted Device

Dimensions in mm

P-TO263-7-1 Option E3180
 (Plastic Transistor Single Outline Package)



1) Typical
 All metal surfaces tin plated, except area of cut.

GPT09114

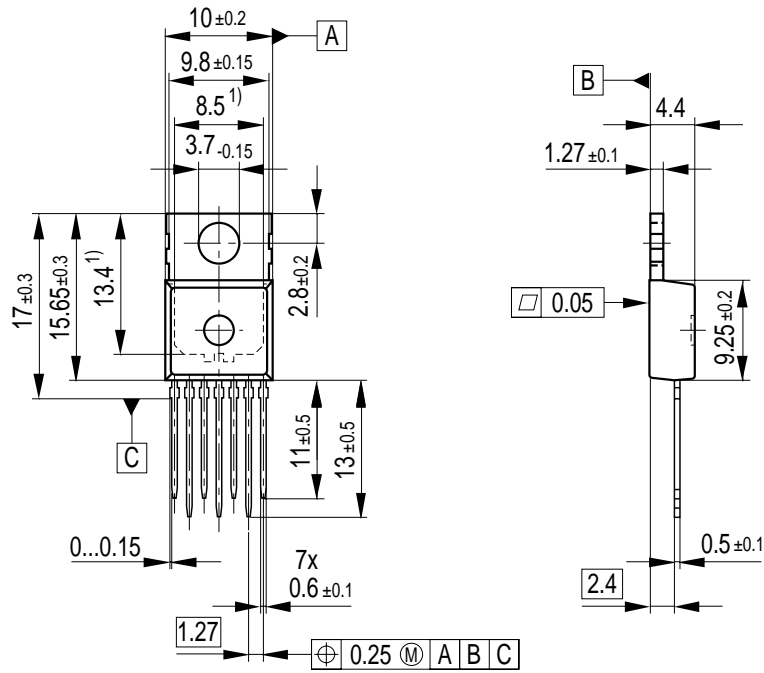
Sorts of Packing

Package outlines for tubes, trays etc. are contained in our Data Book "Package Information".

SMD = Surface Mounted Device

Dimensions in mm

P-TO220-7-12
 (Plastic Transistor Single Outline Package)



1) Typical
 All metal surfaces tin plated, except area of cut.

GPT09084

Sorts of Packing

Package outlines for tubes, trays etc. are contained in our Data Book "Package Information".

Dimensions in mm