

# 100BASE-TX Physical Layer with 5-Bit Interface

## GENERAL DESCRIPTION

The ML6694 is a high-speed physical layer transceiver that provides a 5-bit (or symbol) interface to unshielded twisted pair cable media. The ML6694 is well suited for repeater applications using repeater controllers with the 5-bit interface. The ML6694 may also be used in FDDI-over-copper applications.

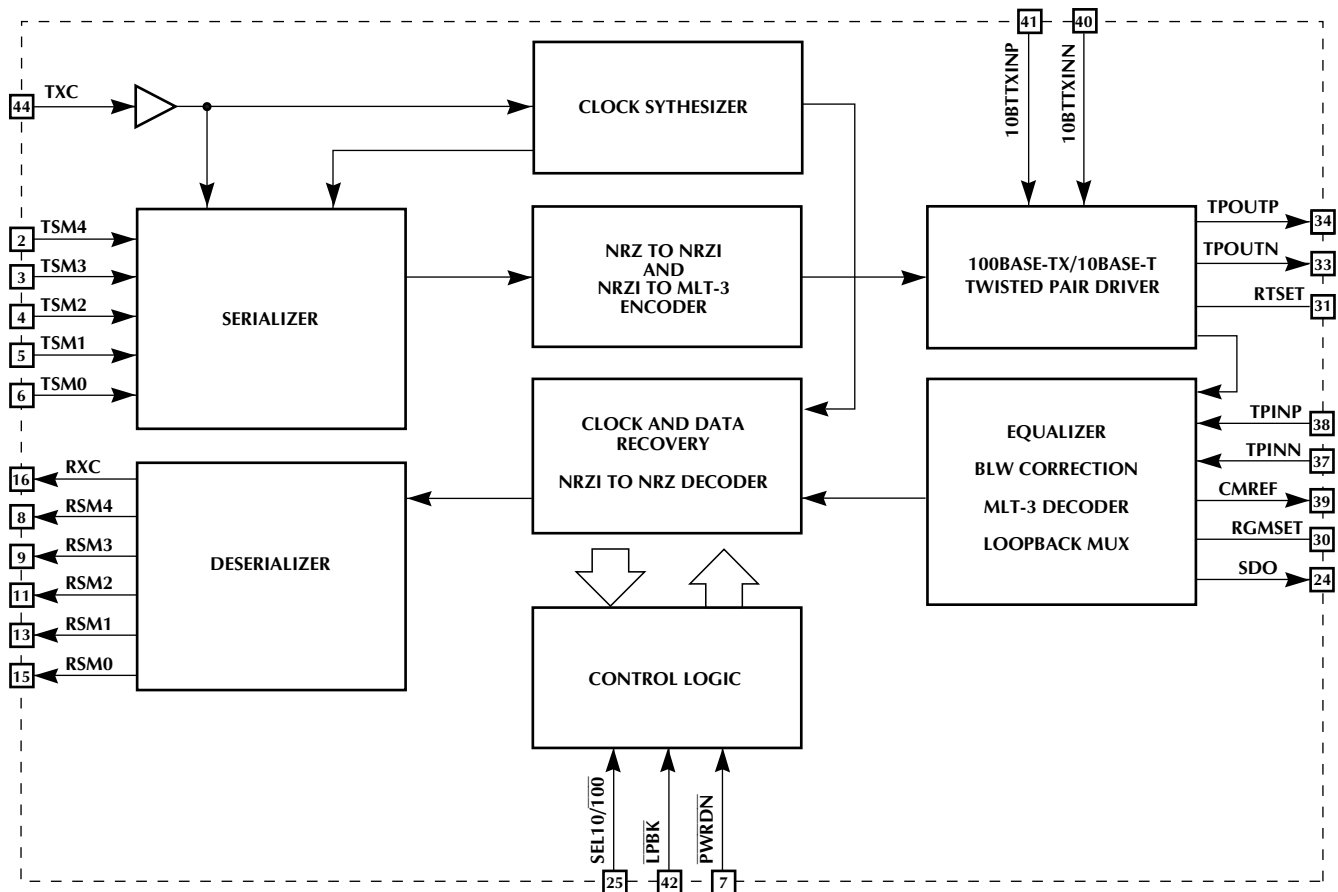
The ML6694 integrates 125MHz clock recovery/generation, receive adaptive equalization, baseline wander correction and MLT-3/10BASE-T transmitter.

## FEATURES

- 5-bit (or symbol) parallel interface
- Compliant to IEEE 802.3u 100BASE-TX standard
- Compliant to ANSI X3T12 TP-PMD (FDDI) standard
- Single-jack 10BASE-T/100BASE-TX solution when used with external 10Mbps PHY
- 125MHz receive clock recovery/generation
- Baseline wander correction
- Adaptive equalization and MLT-3 encoding/decoding
- Supports full-duplex operation

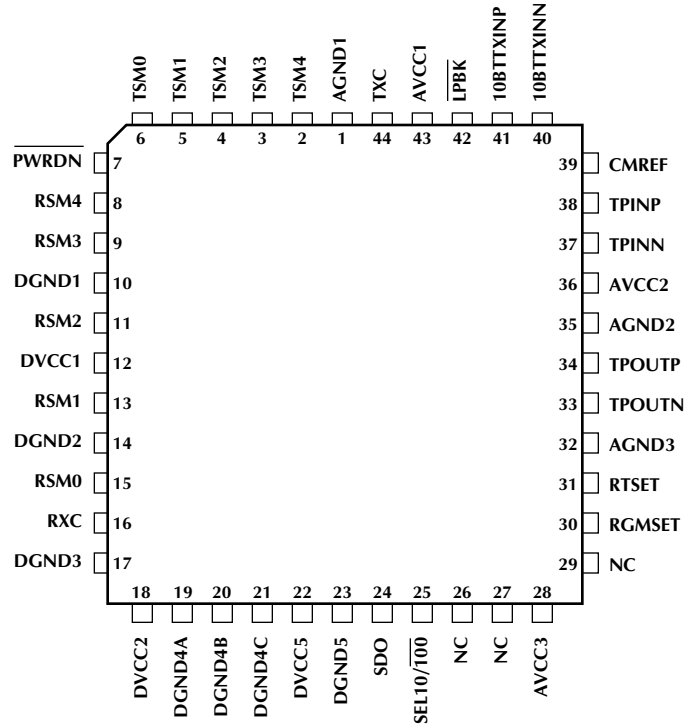
## BLOCK DIAGRAM (PLCC Pin Configuration)

\* Some Packages Are End Of Life As Of August 1, 2000

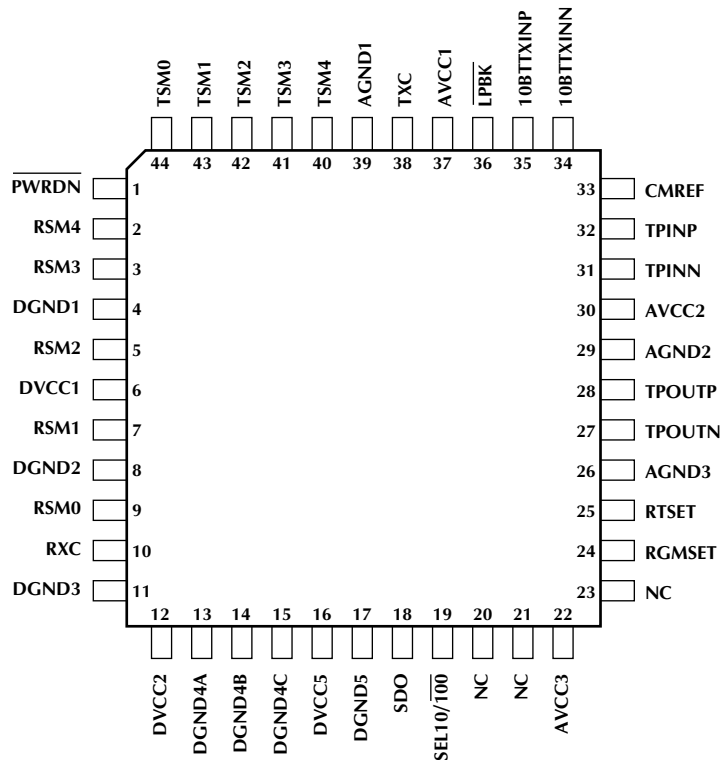


## PIN CONFIGURATION

ML6694  
44-Pin PLCC (Q44)



ML6694  
44-Pin TQFP (H44-10)



**PIN DESCRIPTION** (Pin numbers for TQFP package in parentheses)

PIN		NAME	DESCRIPTION
1	(39)	AGND1	Analog ground.
2-6	(40-44)	TSM<4:0>	Transmit data TTL inputs. TSM<4:0> inputs accept TX data symbols. Data appearing at TSM<4:0> are clocked into the ML6694 on the rising edge of TXC.
7	(1)	$\overline{\text{PWRDN}}$	Device power down input. A low signal powers down all circuits of the ML6694, and dissipates less than 20mA.
8,9, 11,13, 15	(2, 3, 5, 7, 9)	RSM<4:0>	Receive data TTL outputs. RSM<4:0> outputs may be sampled synchronously with RXC's rising edge.
10	(4)	DGND1	Digital ground.
12	(6)	DVCC1	Digital +5V power supply.
14	(8)	DGND2	Digital ground.
16	(10)	RXC	Recovered receive symbol clock TTL output. This 25MHz clock is phase-aligned with the internal 125MHz bit clock recovered from the signal received at TPINP/N when data is present. Receive data at RSM<4:0> change on the falling edges and should be sampled on the rising edges of this clock. RXC is phase aligned to TXC when 100BASE-TX signal is not present at TPINP/N
17	(11)	DGND3	Digital ground.
18	(12)	DVCC2	Digital +5V power supply.
19	(13)	DGND4A	Digital ground.
20	(14)	DGND4B	Digital ground.
21	(15)	DGND4C	Digital ground.
22	(16)	DVCC5	Digital +5V power supply.
23	(17)	DGND5	Digital ground.
24	(18)	SD0	Signal detect TTL output. A high output level indicates 100BASE-TX activity at TPINP/N with an amplitude exceeding the preset threshold. The signal detect function is active only in 100Mbps mode, that is when the pin SEL10/100 is low.
25	(19)	SEL10/100	Speed select TTL input. Driving this pin high disables 100BASE-TX transmit and receive functions, and enables the 10BASE-T transmit path from 10BTTXINP/N to TPOUTP/N. A low signal on SEL10/100 disables the 10BTTXINP/N inputs and enables 100BASE-TX operation.
28	(22)	AVCC3	Analog positive power supply.
30	(24)	RGMSET	Equalizer bias resistor input. An external 9.53k $\Omega$ , 1% resistor connected between RGMSET and AGND3 sets internal time constants controlling the receive equalizer transfer function.
31	(25)	RTSET	Transmit level bias resistor input. An external 2.49k $\Omega$ , 1% resistor connected between RTSET and AGND3 sets a precision constant bias current for the twisted pair transmit level.
32	(26)	AGND3	Analog ground.
33,34	(27,28)	TPOUTN/P	Transmit twisted pair outputs. This differential current output pair drives MLT-3 waveforms into the network coupling transformer in 100BASE-TX mode, and 10BASE-T or FLP waveforms in 10BASE-T mode.
35	(29)	AGND2	Analog ground.
36	(30)	AVCC2	Analog +5V power supply.
37,38	(31, 32)	TPINN/P	Receive twisted pair inputs. This differential input pair receives 100BASE-TX signals from the network.

## PIN DESCRIPTION (Continued)

PIN	NAME	DESCRIPTION
39 (33)	CMREF	Receiver common-mode reference output. This pin provides a common-mode bias point for the twisted-pair media line receiver. A typical value for CMREF is $(V_{CC}-1.26)V$ .
40,41 (34,35)	10BTTXINN/P	10BASE-T transmit waveform inputs. The ML6694 presents a linear copy of the input at 10BTTXINN/P to the TPOUTN/P outputs when the ML6694 functions in 10BASE-T mode. Signals presented to these pins must be centered at $V_{CC}/2$ with a single ended amplitude of $\pm 0.25V$ .
42 (36)	$\overline{\text{LPBK}}$	Loopback TTL input pin. Tying this pin to ground places the part in loopback mode; data at RSM<4:0> are serialized, MLT-3 encoded, equalized then sent to the receive PLL for clock recovery and sent to the RSM<4:0> outputs. Floating this pin or tying it to $V_{CC}$ places the part in its normal mode of operation.
43 (37)	AVCC1	Analog +5V power supply.
44 (38)	TXC	Transmit clock TTL input. This 25MHz clock is the frequency reference for the internal transmit PLL clock multiplier. This pin should be driven by an external 25MHz clock at TTL or CMOS levels.

## ABSOLUTE MAXIMUM RATINGS

Absolute maximum ratings are those values beyond which the device could be permanently damaged. Absolute maximum ratings are stress ratings only and functional device operation is not implied.

V <sub>CC</sub> Supply Voltage Range	GND –0.3V to 6V
Input Voltage Range	
Digital Inputs	GND –0.3V to V <sub>CC</sub> + 0.3V
TPINP, TPINN, 10BTTXINN, 10BTTXINP	GND –0.3V to V <sub>CC</sub> + 0.3V
Output Current	
TPOUTP, TPOUTN	60mA
All other outputs	10mA

Junction Temperature	150°C
Storage Temperature	–65°C to 150°C
Lead Temperature (Soldering, 10 sec)	260°C

## OPERATING CONDITIONS

V <sub>CC</sub> Supply Voltage	5V ± 5%
All V <sub>CC</sub> supply pins	<i>must</i> be within 0.1V of each other.
All GND pins	<i>must</i> be within 0.1V of each other.
T <sub>A</sub> , Ambient temperature	0°C to 70°C
RGMSET	9.53kΩ ± 1%
RTSET	2.49kΩ ± 1%
Receive transformer insertion loss	< –0.5dB

## DC ELECTRICAL CHARACTERISTICS

Over full range of operating conditions unless otherwise specified (Note 1)

SYMBOL	PARAMETER	CONDITIONS	MIN	TYP	MAX	UNITS
<b>TTL Inputs</b> (TSM<4:0>, TXC, SEL10/T00, PWRDN, LPBK)						
V <sub>IL</sub>	Input Low Voltage	I <sub>IL</sub> = –400μA			0.8	V
V <sub>IH</sub>	Input High Voltage	I <sub>IH</sub> = 100μA	2.0			V
I <sub>IL</sub>	Input Low Current	V <sub>IN</sub> = 0.4V	–200			μA
I <sub>IH</sub>	Input High Current	V <sub>IN</sub> = 2.7V			100	μA
<b>TTL Outputs</b> (RSM<4:0>, RXC, SDO)						
V <sub>OL</sub>	Output Low Voltage	I <sub>OL</sub> = 4mA			0.4	V
V <sub>OH</sub>	Output High Voltage	I <sub>OH</sub> = –4mA	2.4			V
<b>Receiver</b>						
V <sub>ICM</sub>	TPINP/N Input Common-Mode Voltage	100Ω Termination across TPINP/N		V <sub>CC</sub> – 1.26		V
V <sub>ID</sub>	TPINP-TPINN Differential Input Voltage Range		–3.0		3.0	V
R <sub>IDR</sub>	TPINP-TPINN Differential Input Resistance		10.0k			Ω
I <sub>ICM</sub>	TPINP/N Common-Mode Input Current				+10	μA
I <sub>RGM</sub>	RGMSET Input Current	RGMSET = 9.53kΩ		130		μA
I <sub>RT</sub>	RTSET Input Current	RTSET = 2.49kΩ		500		μA
<b>Transmitter</b>						
I <sub>TD100</sub>	TPOUTP/N 100BASE-TX Mode Differential Output Current	Note 2, 3	±19		±21	mA
I <sub>TD10</sub>	TPOUTP/N 10BASE-T Mode Differential Output Current		±55	±60	±65	mA
I <sub>TOFF</sub>	TPOUTP/N Off-State Output	R <sub>L</sub> = 200, 1%	0		1.5	mA
I <sub>TXI</sub>	TPOUTP/N Differential Output Current Imbalance	R <sub>L</sub> = 200, 1%			500	μA

**DC ELECTRICAL CHARACTERISTICS** (Continued)

SYMBOL	PARAMETER	CONDITIONS	MIN	TYP	MAX	UNITS
<b>Transmitter</b> (Continued)						
$X_{ERR}$	TPOUTP/N Differential Output Current Error	$V_{OUT} = V_{CC}$ ; Note 3	-5.0		+5.0	%
$X_{CMP100}$	TPOUTP/N 100BASE-X Output Current Compliance Error	$V_{OUT} = V_{CC} \pm 2.2V$ ; referred to $I_{OUT}$ at $V_{CC}$	-2.0		+2.0	%
$V_{OCM10}$	TPOUTP/N 10BASE-T Output Voltage Compliance Range	$I_{TD10}$ remains within specified values	$V_{CC} - 2.7$		$V_{CC} + 2.7$	V
$V_{ICM10}$	10BTXNN/P Input Common-Mode Voltage Range		$V_{CC}/2 - 0.3$		$V_{CC}/2 + 0.3$	V

**Power Supply Current**

$I_{CC100}$	Supply Current 100BASE-TX Operation, Transmitting	Current into all $V_{CC}$ pins, $V_{CC} = 5.25V$		195	260	mA
$I_{CC10}$	Supply Current 10BASE-T Mode			90	110	mA
$I_{CCOFF}$	Supply Current Power Down Mode	$\overline{PWRDN}$			20	mA

**AC ELECTRICAL CHARACTERISTICS**

Over full range of operating conditions unless otherwise specified

SYMBOL	PARAMETER	CONDITIONS	MIN	TYP	MAX	UNITS
<b>Transmitter</b> (Note 4)						
$t_{TR/F}$	TPOUTP-TPOUTN Differential Rise/Fall Time	Notes 5, 6; for any legal code sequence	3.0		5.0	ns
$t_{TM}$	TPOUTP-TPOUTN Differential Rise/Fall Time Mismatch	Notes 5, 6; for any legal code sequence	-0.5		0.5	ns
$t_{TDC}$	TPOUTP-TPOUTN Differential Output Duty Cycle Distortion	Notes 4, 6	-0.5		0.5	ns
$t_{TJT}$	TPOUTP-TPOUTN Differential Output Peak-to-Peak Jitter	Note 6		300	1400	ps
$X_{OST}$	TPOUTP-TPOUTN Differential Output Voltage Overshoot	Notes 6, 7			5	%
$t_{TXP}$	Transmit Bit Delay	Note 8			10.5	Bit Times
$t_{RXDC}$	Receive Bit Delay	Note 9			15.5	Bit Times

## AC ELECTRICAL CHARACTERISTICS (Continued)

SYMBOL	PARAMETER	CONDITIONS	MIN	TYP	MAX	UNITS
<b>MII (Media-Independent Interface)</b>						
$\chi_{BTOL}$	TX Output Clock Frequency Tolerance	25MHz frequency	-100		+100	ppm
$t_{TPWH}$	TXC pulse width HIGH		14			ns
$t_{TPWL}$	TXC pulse width LOW		14			ns
$t_{RPWH}$	RXC pulse width HIGH		14			ns
$t_{RPWL}$	RXC pulse width LOW		14			ns
$t_{TPS}$	Setup time, TSM<4:0> Data Valid to TXC Rising Edge (1.4V point)		12			ns
$t_{TPH}$	Hold Time, TSM<4:0> Data Valid After TXC Rising Edge (1.4V point)		3			ns
$t_{RCS}$	Time that RSM<4:0> Data are Valid Before RXC Rising Edge (1.4V point)		10			ns
$t_{RCH}$	Time that RSM<4:0> Data are Valid After RXC Rising Edge (1.4V point)		10			ns
$t_{RPCR}$	RXC 10% – 90% Rise Time				6	ns
$t_{RPCF}$	RXC 90%-10% Fall Time				6	ns

**Note 1.** Limits are guaranteed by 100% testing, sampling, or correlation with worst case test conditions.

**Note 2.** Measured using the test circuit shown in Fig. 1, under the following conditions:

$$R_{LP} = 200\Omega, R_{LS} = 49.9\Omega, R_{TSET} = 2.49k\Omega.$$

All resistors are 1% tolerance.

**Note 3.** Output current amplitude is  $I_{OUT} = 40 \times 1.25V/R_{TSET}$ .

**Note 4.** Measured relative to ideal negative and positive signal 50% points, using the four successive MLT-3 transitions for the 01010101 bit sequence.

**Note 5.** Time difference between 10% and 90% levels of the transition from the baseline voltage (nominally zero) to either the positive or negative peak signal voltage. The times specified here correlate to the transition times defined in the ANSI X3T9.5 TP-PMD Rev 2.0 working draft, section 9.1.6, which include the effects of the external network coupling transformer and EMI/RFI emissions filter.

**Note 6.** Differential test load is shown in fig. 1 (see note 3).

**Note 7.** Defined as the percentage excursion of the differential signal transition beyond its final adjusted value during the symbol interval following the transition. The adjusted value is obtained by doing a straight line best-fit to an output waveform containing 14 bit-times of no transition preceded by a transition from zero to either a positive or negative signal peak; the adjusted value is the point at which the straight line fit meets the rising or falling signal edge.

**Note 8.** Symbol // at TSM <4:0> sampled by TXC to first bit of // at MDI.

**Note 9.** First bit of // at MDI to first rising edge of RXC after the last part of the // appears at RSM <4:0>.

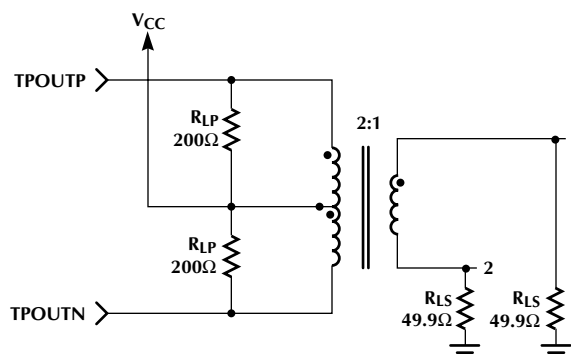


Figure 1. Test Circuit

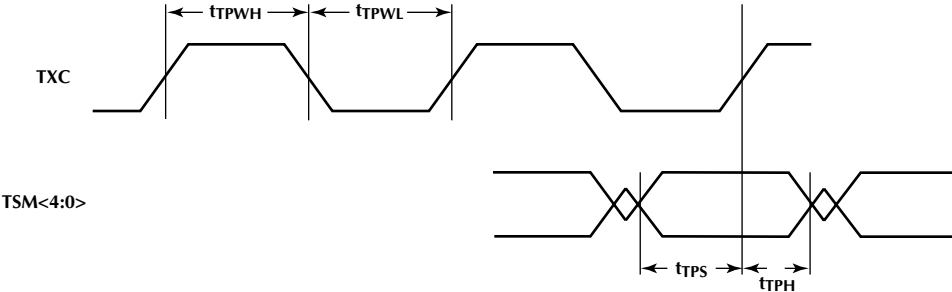


Figure 2.

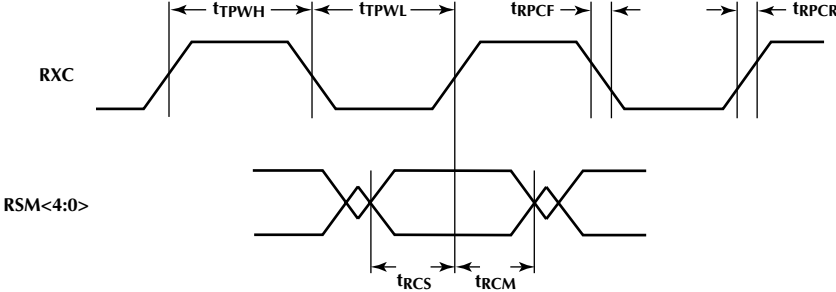


Figure 3.



## FUNCTIONAL DESCRIPTION

### TRANSMIT SECTION

#### 100BASE-TX Operation

The transmitter accepts scrambled 5-bit symbols clocked in at 25MHz and outputs MLT-3 signals onto the twisted-pair media at 100Mbps. The on-chip transmit PLL converts a 25MHz TTL-level clock at TXC to an internal 125MHz bit clock. TXC from the ML6694 clocks scrambled transmit symbols from the MAC into the ML6694's TSM<4:0> input pins. Symbols from the TSM<4:0> inputs are converted from parallel to serial form at the 125MHz clock rate. The serial transmit data is converted to MLT-3 3-level code and driven differentially out of the TPOUTP and TPOUTN pins at nominal  $\pm 2V$  levels with the proper loads. The transmitter is designed to drive a center-tapped transformer with a 2:1 winding ratio, so a differential 400 ohm load is used on the transformer primary to properly terminate the 100 ohm cable and termination on the secondary. The transformer's center tap must be tied to  $V_{CC}$ . A 2:1 transformer allows using a  $\pm 20mA$  output current in 100BASE-TX mode. Using a 1:1 transformer would have required twice the output current and increased the on-chip power dissipation. An external 2.49k $\Omega$ , 1% resistor at the RTSET pin creates the correct output levels at TPOUP/N.

#### 10BASE-T

In 10BASE-T mode, the transmitter acts as a linear buffer with a gain of 10. 10BASE-T inputs (Manchester data and normal link pulses) at 10BTTXINP/N appear as full-swing signals at TPOUTP/N in this mode. Inputs to the 10BTTXINP/N pins should have a nominal  $\pm 0.25V$  differential amplitude and a common-mode voltage of  $V_{CC}/2$ , and should also be waveshaped or filtered to meet the 10BASE-T harmonic content requirements. The ML6694 does not provide any 10BASE-T transmit filtering.

### RECEIVE SECTION

The receiver converts 3-level MLT-3 signals from the twisted-pair media to 5-bit scrambled symbols at RSM<4:0> with extracted clock at RXC. The adaptive equalizer compensates for the distortion of up to 140m of cable and attenuates cable-induced jitter, corrects for DC baseline wander, and converts the MLT-3 signal to 2-level NRZ. The receive PLL extracts clock from the equalized signal, providing additional jitter attenuation, and clocks

the signal through the serial to parallel converter. The resulting 5-bit symbols appear at RSM<4:0>. The extracted clock appears at RXC. Resistor RGMSET sets internal time constants controlling the adaptive equalizer's transfer function. RGMSET must be set to 9.53k $\Omega$  (1%).

### LOOPBACK

Tying  $\overline{LPBK}$  pin low places the part in loopback mode. Data at TXD<4:0> are serialized, MLT-3 encoded, equalized, then sent to receive PLL for clock recovery and sent to the RXD<4:0> outputs.

In this mode, data at TXD<4:0> has to be valid 5-bit symbol data.

### ML6694 SCHEMATIC

Figure 2 shows a general design where the 5-bit and other control signals interface to the controller. TXC is connected to a 25MHz, 100ppm clock oscillator.

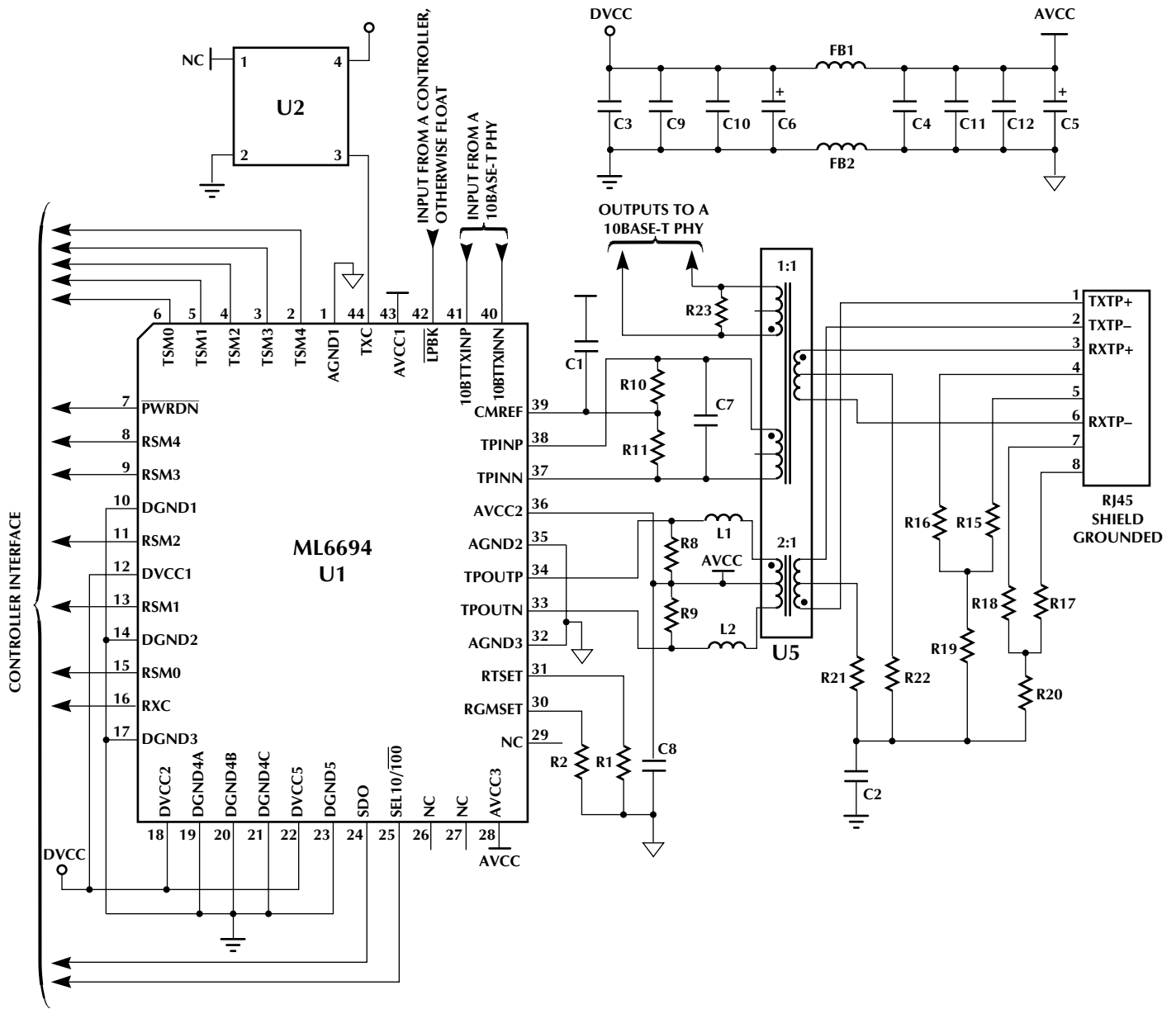
The inductors L1 and L2 are for the purpose of improving return loss.

Capacitor C7 is recommended. It decouples some noise at the inputs of the ML6694 and improves the Bit Error Rate (BER) performance of the board. It is recommended having a 0.1 $\mu F$  capacitor on every  $V_{CC}$  pin as indicated by C3, 4, 9-12. Also, it is recommended to split the  $A_{VCC}$  and  $D_{VCC}$ , AGND and DGND. It is recommended that AGND and DGND planes are large enough for low inductance. If splitting the two grounds and keeping the ground planes large enough is not possible due to board space, you could join them into one larger ground plane.

### DIFFERENCES BETWEEN THE ML6694 AND ML6698

Both parts are pin to pin compatible and perform the same functions. The only differences are:

1. SDO: The ML6694 has SDO (Signal Detect Output) active in 100BASE-TX mode only, while the ML6698 has it active in both 10BASE-T and 100BASE-TX modes.
2. SEL10/ $\overline{100}$  or SEL100/ $\overline{10}$ : The ML6694 has the 100BASE-TX mode active low and the 10BASE-T mode active high (SEL10/ $\overline{100}$ ). The ML6698 has the opposite polarity where the 100BASE-TX mode is active high and the 10BASE-T mode is active low (SEL100/ $\overline{10}$ ).



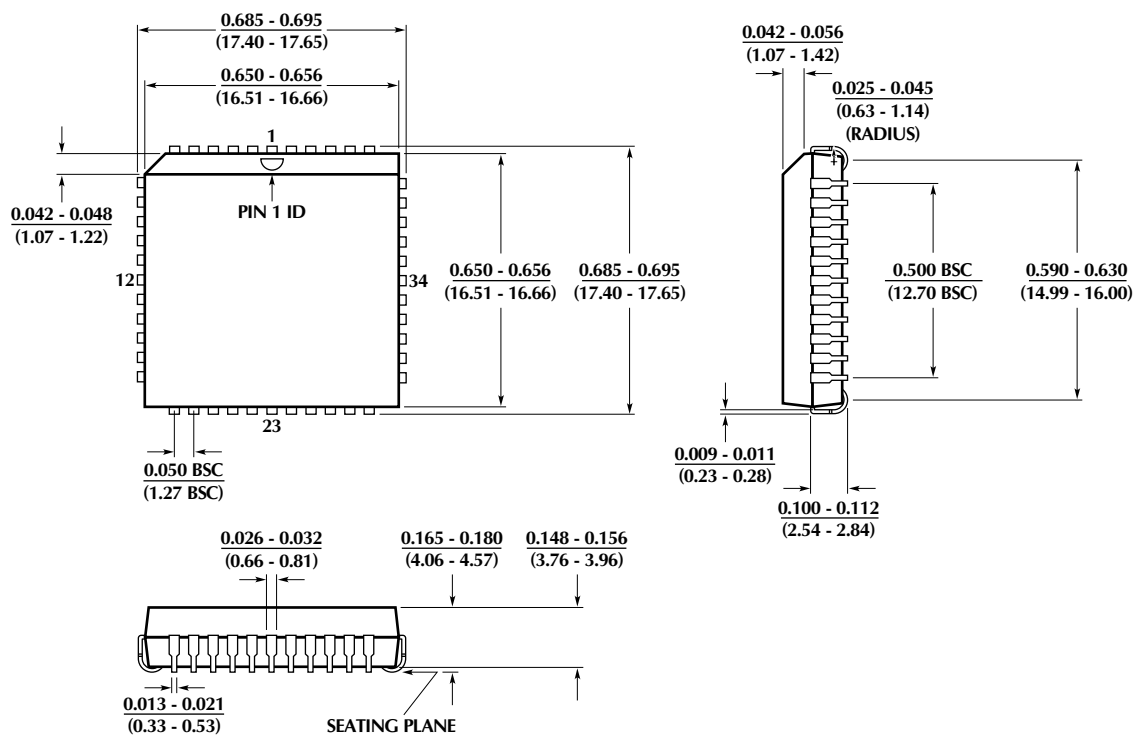
R1	2.49kΩ 1%, 1/8W Surface Mount
R2	9.53kΩ 1%, 1/8W Surface Mount
R8, R9, R23	200Ω 1%, 1/8W Surface Mount
R10, R11	100Ω 1%, 1/8W Surface Mount
R15-R20	49.9Ω 5%, 1/8W Surface Mount
R21-R22	75Ω 5%, 1/8W Surface Mount
C1, C3, C4, C8-C12	0.1μF Ceramic Chip Cap
C5, C6	10μF Tantalum Cap

C7	10pF Cap
C2	Board Layer Cap (2kV rated)
U1	ML6694 44-Pin PLCC Surface Mount
U2	Clock Oscillator, 25MHz 4-Pin Surface Mount
U5	Bel Transformer Module S558-1287-02, XFMRs Inc. XF6692TX, or Valor ST6129 (not pin compatible)
FB1, FB2	Fair-Rite SM Bead P/N 2775019447
L1, L2	130nH Inductors rated at 50MHz

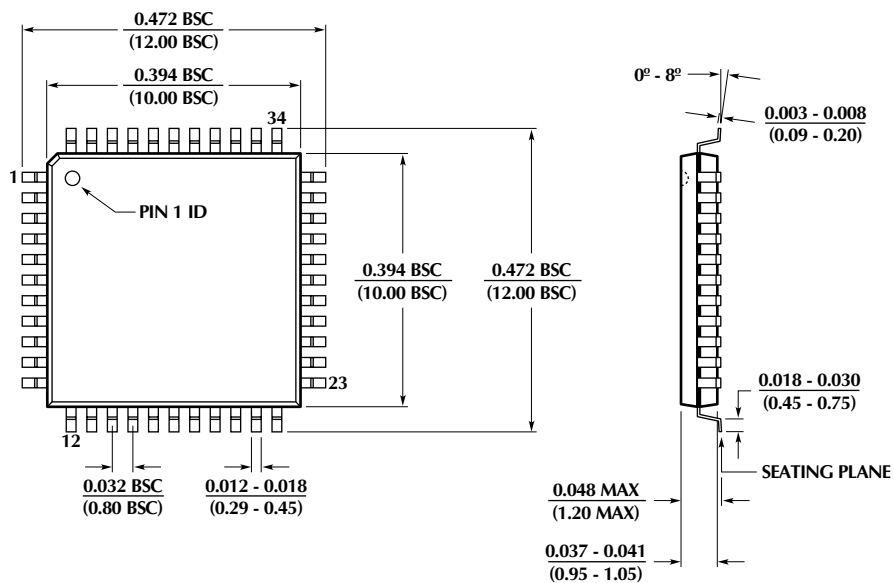
Figure 2. ML6694 Typical Applications Circuit

PHYSICAL DIMENSIONS inches (millimeters)

Package: Q44  
44-Pin PLCC




Package: H44-10  
44-Pin (10 x 10 x 1mm) TQFP



## ORDERING INFORMATION

PART NUMBER	TEMPERATURE RANGE	PACKAGE
ML6694CQ	0°C to 70°C	44-PIN PLCC (Q44)
ML6694CH	0°C to 70°C	44-PIN TQFP (H44-10) (End Of Life)

© Micro Linear 1997  **Micro Linear** is a registered trademark of Micro Linear Corporation  
Products described in this document may be covered by one or more of the following patents, U.S.: 4,897,611; 4,964,026; 5,027,116; 5,281,862; 5,283,483; 5,418,502; 5,508,570; 5,510,727; 5,523,940; 5,546,017; 5,559,470; 5,565,761; 5,592,128; 5,594,376; Japan: 2598946; 2619299. Other patents are pending.

Micro Linear reserves the right to make changes to any product herein to improve reliability, function or design. Micro Linear does not assume any liability arising out of the application or use of any product described herein, neither does it convey any license under its patent right nor the rights of others. The circuits contained in this data sheet are offered as possible applications only. Micro Linear makes no warranties or representations as to whether the illustrated circuits infringe any intellectual property rights of others, and will accept no responsibility or liability for use of any application herein. The customer is urged to consult with appropriate legal counsel before deciding on a particular application.

2092 Concourse Drive  
San Jose, CA 95131  
Tel: 408/433-5200  
Fax: 408/432-0295