

KA2821D

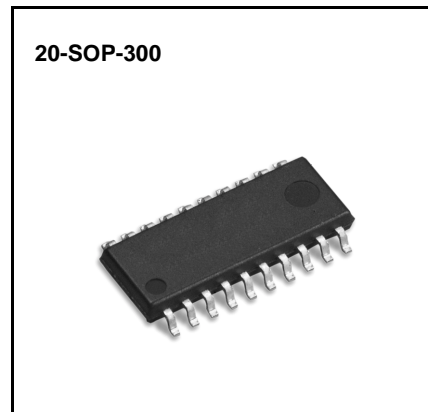
Stepping Motor Driver

Features

- Built-in chip enable function (Active low)
- Low saturation voltage
- Low power dissipation
- Input level: TTL, LSTTL, 5V CMOS compatible
- Standard MPU direct interface
- Built-in Thermal Shutdown(TSD) circuit
- 2-CH H-bridge driver

Description

The KA2821D is a monolithic integrated circuit, and suitable as a two-phase stepping motor driver of a 3.5-inch FDD system.



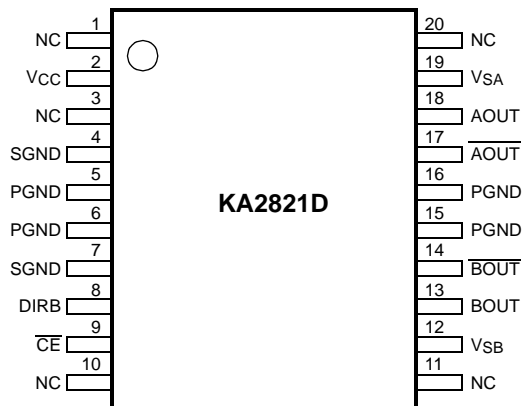
Typical Application

- Floppy disk drive (FDD)
- General stepping motor

Ordering Information

Device	Package	Operating Temp.
KA2821D	20-SOP-300	-20 ~ +75°C

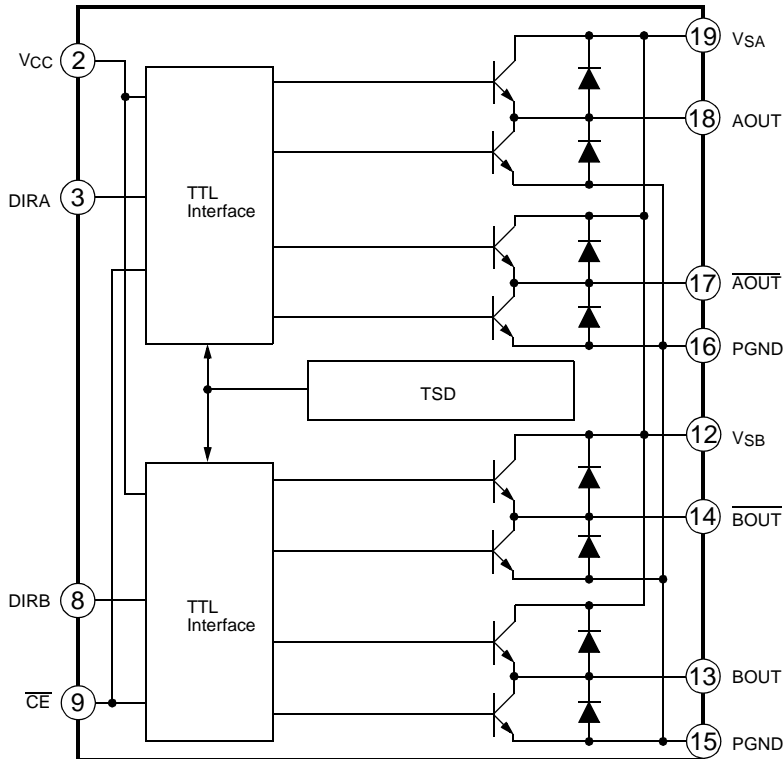
Pin Assignments



Pin Definitions

Pin Number	Pin Name	I/O	Pin Function Description	Channel
1	NC	-	No connection	-
2	VCC	-	Logic part supply voltage	A, B
3	DIRA	I	A-channel direction input	A
4	SGND	-	Signal ground	A, B
5	PGND	-	Power ground	A, B
6	PGND	-	Power ground	A, B
7	SGND	-	Signal ground	A, B
8	DIRB	I	B-channel direction input	B
9	CE	I	Chip enable input	A, B
10	NC	-	No connection	-
11	NC	-	No connection	-
12	VSB	-	B-channel seeking supply voltage	B
13	BOUT	O	B-channel output	B
14	$\overline{\text{BOUT}}$	O	B-channel inverting output	B
15	P-GND	-	Power ground	A, B
16	$\overline{\text{P-GND}}$	-	Power ground	A, B
17	$\overline{\text{AOUT}}$	O	A-channel inverting output	A
18	AOUT	O	A-channel output	A
19	VSA	-	A-channel seeking supply voltage	A
20	NC	-	No connection	-

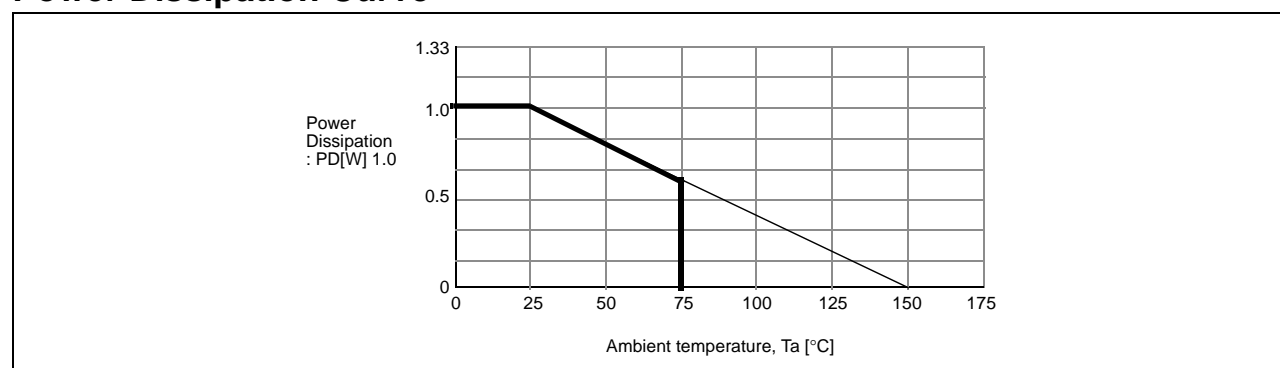
Internal Block Diagram



Absolute Maximum Ratings (Ta = 25°C)

Parameter	Symbol	Value	Unit
Logic part supply voltage	VCC	7.0	V
Seeking supply voltage	VSA, B	15.0	V
Input voltage	VIN	0 ~ VCC	V
Seeking output current (Continuouts)	IOS	330	mA
Seeking output current (Peak)	IOSPEAK	500	mA
Package power dissipation	PD	1.0	W
Operating temperature range	TOPR	-20 ~ 75	°C
Storage temperature	TSTG	-40 ~ 125	°C

Power Dissipation Curve



Recommended Operating Conditions (Ta = 25°C)

Parameter	Symbol	Min.	Typ.	Max	Unit
Logic part supply voltage	VCC	4.5	5.0	5.5	V
Seeking supply voltage	VSA, B	4.5	-	13.8	V

Electrical Characteristics

(Ta=25°C, VCC=5V, VSA=12V, VSB=12V, unless specified otherwise)

Parameter	Symbol	Conditions	Min.	Typ.	Max.	Units
Digital input "L" voltage	V _{IL}	-	-	-	0.8	V
Digital high level input voltage	V _{IH}	-	2.0	-	-	V
Digital low input current	I _{IL}	V _{IN} =0.8V	-	0	10	μA
Digital high input current	I _{IH1}	V _{IN} =2.0V	-	1	10	μA
	I _{IH2}	V _{IN} =5V	-	0.3	1.0	mA
	I _{VCCL}	CE=0.8V	-	25	3	mA
Supply current	I _{VSL}	CE=0.8V	-	6	10	mA
	I _{VCCH}	CE=0.8V	-	25	33	mA
	I _{VSH}	CE=2.0V	-	1	2	mA
Output sustain voltage	V _{SUS}	I _O =10mA, CE=0.8V	18	-	-	V
V _{SA, B} output saturation voltage	V _{SAT1}	I _O =300mA, CE=2.0V	-	1.5	2.0	V
Output clamp voltage	V _{FU}	I _O =130mA (Upper)	-	3.0	5.0	V
	V _{FL}	I _O =330mA (Lower)	-	1.5	2.0	V
Output delay time	T _{PLH}	Input pulse (2kHz)	-	1.0	5.0	μs
	T _{PHL}	Input pulse (2kHz)	-	1.0	5.0	μs
TSD operating temperature	TSD	-	125	150	-	°C
TSD hysteresis	ΔTSD	-	-	25	-	°C

Application Information

1. MOTOR CONTROL LOGIC

Mode selection-truth table

Input		Output		Operating Mode
CE	DIRY	YOUT	YOUT	
L	L	L	H	Seeking Mode
L	H	H	L	
H	L	X	X	Open Mode
H	H	X	X	

Notes:

DIRY: DIRA or DIRB (Direction input)

YOUT: AOUT or BOUT (Non-inverting output)

YOUT: AOUT or BOUT (Inverting output)

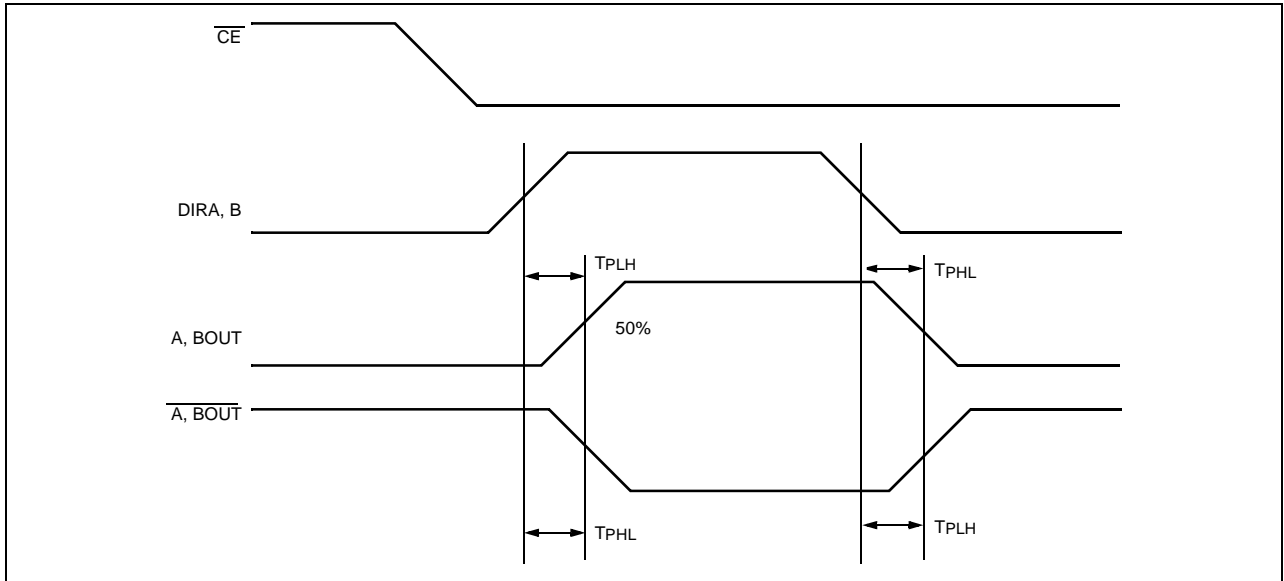
Y: Indicate each channel (A and B)

X: High impedance

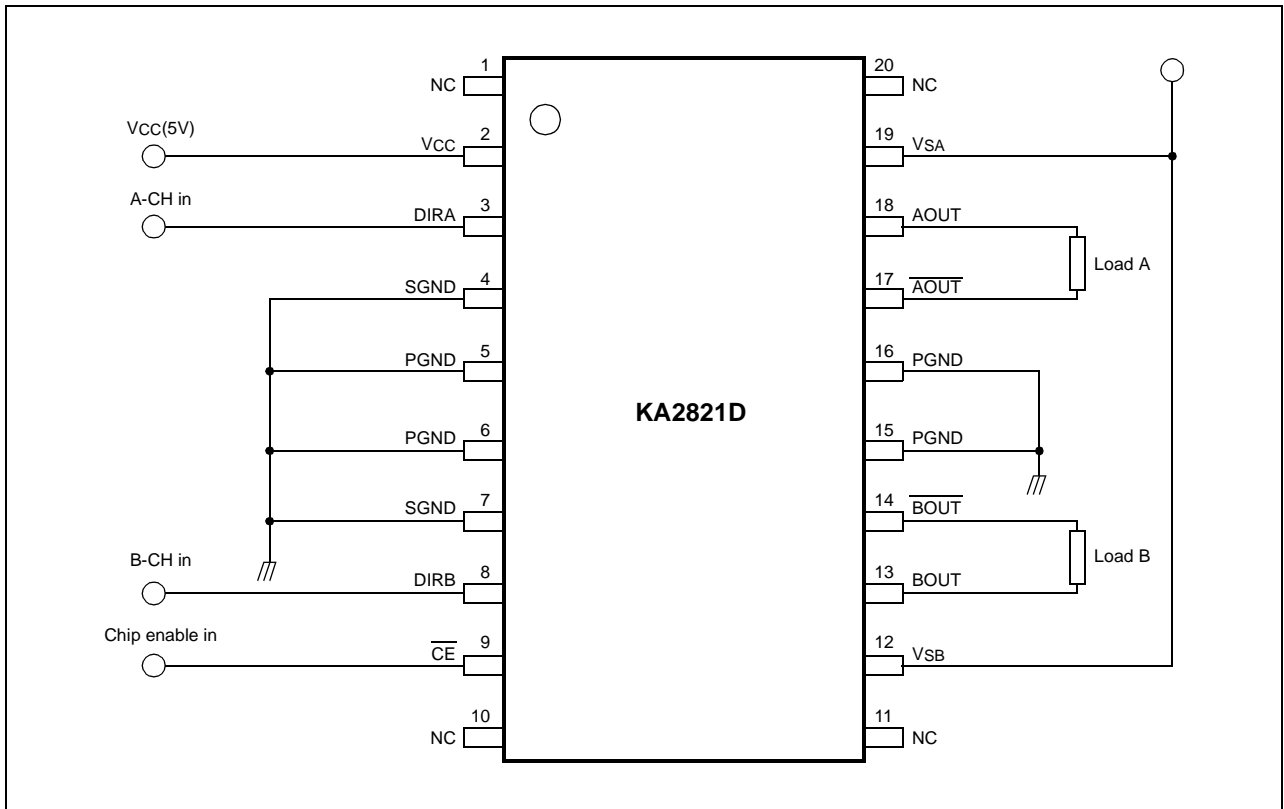
2. MAXIMUM CURRENT DRIVE CAPACITY

- Peak seeking output current: 0.5A
- Continuous seeking output current: 0.33A
- Holding output current: 0.2A

Timing Chart



Typical Application Circuits



DISCLAIMER

FAIRCHILD SEMICONDUCTOR RESERVES THE RIGHT TO MAKE CHANGES WITHOUT FURTHER NOTICE TO ANY PRODUCTS HEREIN TO IMPROVE RELIABILITY, FUNCTION OR DESIGN. FAIRCHILD DOES NOT ASSUME ANY LIABILITY ARISING OUT OF THE APPLICATION OR USE OF ANY PRODUCT OR CIRCUIT DESCRIBED HEREIN; NEITHER DOES IT CONVEY ANY LICENSE UNDER ITS PATENT RIGHTS, NOR THE RIGHTS OF OTHERS.

LIFE SUPPORT POLICY

FAIRCHILD'S PRODUCTS ARE NOT AUTHORIZED FOR USE AS CRITICAL COMPONENTS IN LIFE SUPPORT DEVICES OR SYSTEMS WITHOUT THE EXPRESS WRITTEN APPROVAL OF THE PRESIDENT OF FAIRCHILD SEMICONDUCTOR INTERNATIONAL. As used herein:

1. Life support devices or systems are devices or systems which, (a) are intended for surgical implant into the body, or (b) support or sustain life, and (c) whose failure to perform when properly used in accordance with instructions for use provided in the labeling, can be reasonably expected to result in a significant injury of the user.
2. A critical component in any component of a life support device or system whose failure to perform can be reasonably expected to cause the failure of the life support device or system, or to affect its safety or effectiveness.