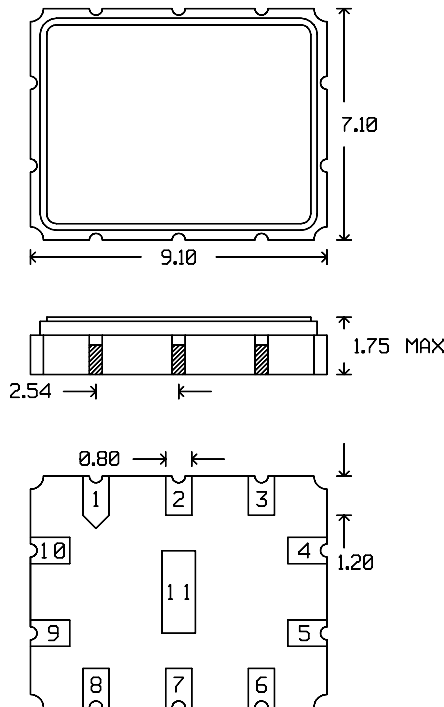




Rej'n (195.22-205.72 MHz) (at 25°C)	42			dB
Rej'n (195.22-205.72 MHz) (over temperature)	40			dB
Rej'n (150.72-165.72 MHz) (at 25°C)	52			dB
Rej'n (150.72-165.72 MHz) (over temperature)	50			dB
Rej'n (205.72-220.72 MHz) (at 25°C)	52			dB
Rej'n (205.72-220.72 MHz) (over temperature)	50			dB
Rej'n (80-150 MHz) (at 25°C)	40			dB
Rej'n (80-150 MHz) (over temperature)	36			dB
Rej'n (220.72-280 MHz) (at 25°C)	40			dB
Rej'n (220.72-280 MHz) (over temperature)	36			dB
Source and Load Impedance		50		Ω
Input Power		+10	+15	dBm
Operating Temperature Range	-40	25	85	° C

Notes: 1. Any specified bandwidths are referenced to this frequency.

PACKAGE OUTLINE



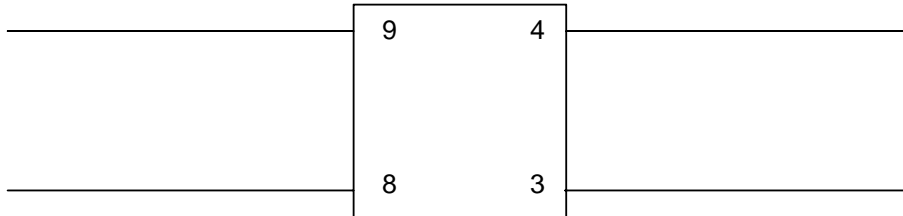
Units: mm

Pad Configuration:

Input: 9
 Input Return: 8
 Output: 4
 Output Return: 3
 Ground: 1,2,5,6,7,10,11



MATCHING CIRCUIT



Note:

- External matching components are not required.

ISO 9001
Registered

Rev X1 20-Apr-05
Page 3 of 3