

DATA SHEET



SAA6713H

XGA dual input flat panel controller

Preliminary specification

2002 Jul 16

XGA dual input flat panel controller**SAA6713H**

CONTENTS	9	LIMITING VALUES
1	10	THERMAL CHARACTERISTICS
2	11	CHARACTERISTICS
3	12	TIMING CHARACTERISTICS
4	13	APPLICATION INFORMATION
5	14	PACKAGE OUTLINE
6	15	SOLDERING
7	15.1	Introduction to soldering surface mount packages
7.1	15.2	Reflow soldering
7.2	15.3	Wave soldering
7.3	15.4	Manual soldering
7.4	15.5	Suitability of surface mount IC packages for wave and reflow soldering methods
7.5		
7.6		
7.7	16	DATA SHEET STATUS
7.8	17	DEFINITIONS
7.9	18	DISCLAIMERS
7.10	19	PURCHASE OF PHILIPS I²C COMPONENTS
7.11		
7.12		
7.13		
7.14		
7.15		
7.16		
7.17		
8		
8.1		
8.2		

XGA dual input flat panel controller

SAA6713H

1 FEATURES

- Integrated triple Analog-to-Digital Converter (ADC) for RGB analog sampling up to 110 MHz
- Integrated PLL for dot clock recovery
- Integrated single channel Digital Visual Interface (DVI)⁽¹⁾ compliant digital serial interface up to 110 MHz dot clock
- Integrated composite sync slicer
- High-bandwidth Digital Content Protection (HDCP)⁽²⁾
- Integrated sync-on-green separation
- Support of Super Extended Graphics Adapter (SXGA) input mode
- Independent horizontal and vertical arbitrary ratio up and downscaling
- Video mode detection
- Auto-adjustment support for sampling phase and frequency, picture alignment and colour alignment
- Advanced colour adjustment
- Integrated On Screen Display (OSD) controller with predefined and programmable font and bit-mapped graphics, as well as a hardware overlay cursor
- 10-bit gamma correction
- Support for 6-bit and 8-bit panels by temporal dithering
- Freely programmable output timing supports displays of virtually any manufacturer
- Directly interfaces row and column drivers (TCON), versatile timing generation
- Programmable output pin ordering
- Adjustable output pin ordering
- High-speed I²C-bus interface up to 3.4 Mbits/s
- Event driven interrupt generation for easy interfacing with microcontroller software.

2 GENERAL DESCRIPTION

The SAA6713H is a dual input single-chip Thin Film Transistor (TFT) display controller IC with analog VGA and digital DVI 1.0 standard input capabilities. Additionally, the SAA6713H includes a wide range of functions for processing and the measurement of incoming RGB data according to the requirements of an XGA TFT display.

(1) DVI specification published by Digital Display Working Group (DDWG) promoters and may have related patents and/or patent applications.

(2) HDCP is software designed by Intel/Silicon Image. All trademark rights belong to the respective producers.



Covered functions are accurate measurements for the horizontal and vertical input frequencies to determine the incoming video mode and advanced auto-adjustment features that provide all data for a fast and accurate adjustment of frequency, phase and gain settings. Both units are able to generate interrupts for easy interfacing with a system microcontroller with separately maskable interrupt conditions.

The input section handles incoming data up to SXGA resolution that can be downscaled individually in width and height to fit to the connected panel resolution. Independent horizontal and vertical upscaling with enhanced programmable filter possibilities provides the IC's core functionality of high-quality scaling. Picture quality is further supported by an enhanced colour management including a 10-bit gamma correction function. A sophisticated dithering unit allows the use of low-end 6-bit panels while keeping up the high quality image impression.

An advanced OSD generator is integrated with a fixed 12 × 18 ROM font consisting of 179 ANSI characters, 77 Japanese characters, 48 multicolour icons and 48 single colour icons. In addition to these fixed size characters another 112 different border characters can be generated in any desired font size between 8 × 8 and 32 × 32 pixels. Another 38 special characters are provided particularly for multicolour slider icons that can be parametrized in size and style. For higher flexibility of the OSD appearance a downloadable mixed multicolour or single colour font with any programmable character size between 8 × 8 to 32 × 32 pixels and up to four colours per character can be used and displayed together with the predefined ROM characters. A special bitmap organized graphical OSD with up to 16 individual colours allows to include graphic items like company logos, while a double buffered OSD cursor gives the ability to use animated pointers within an on screen menu. The panel timing interface can not only drive today's common timing controller based panel interfaces, but it has also the capability to directly drive the row and column drivers of a panel itself. An adjustable output pin ordering guarantees easy board layout with any type of panel connector.

The SAA6713H represents the first fully integrated single-chip solution for low-end monitors, offering both high quality scaling and an advanced OSD generator.

XGA dual input flat panel controller

SAA6713H

3 QUICK REFERENCE DATA

SYMBOL	PARAMETER	CONDITIONS	MIN.	TYP.	MAX.	UNIT
$V_{DDD(IC)}$	digital supply voltage for internal core on pins $V_{DDD(IC1)}$ to $V_{DDD(IC6)}$		2.3	2.5	2.7	V
V_{DDA}	analog supply voltage on pins $V_{DDA(R)}$, $V_{DDA(G)}$, $V_{DDA(B)}$, $V_{DDA(ADC)(R)}$, $V_{DDA(ADC)(G)}$, $V_{DDA(ADC)(B)}$ and $V_{DDA(DVI1)}$ to $V_{DDA(DVI3)}$		2.3	2.5	2.7	V
$V_{DD(PLL)}$, $V_{DDD(PLL)}$, $V_{DDA(PLL)}$	supply voltage for PLL on pins $V_{DD(PLL)(DVI)}$, $V_{DD(PLL)(P)}$, $V_{DDA(PLL)(S)}$ and $V_{DDD(PLL)(S)}$		2.3	2.5	2.7	V
$V_{DDA(IB)}$	analog supply voltage for input buffer on pin $V_{DDA(IB)}$		2.7	3.0	3.3	V
$V_{DDD(EP)}$	external digital pad supply voltage for pins $V_{DDD(EP1)}$ to $V_{DDD(EP10)}$		3.0	3.3	3.6	V
$V_{DDA(EP)}$	external analog pad supply voltage for pin $V_{DDA(EP)}$		3.0	3.3	3.6	V
$I_{DDD(tot)}$	total digital supply current		–	tbf	–	mA
V_i	input voltage	note 1	LVTTTL compatible			
V_o	output voltage for TFT port		CMOS compatible			
T_{amb}	ambient temperature		0	–	tbf	°C

Note

1. Pins HSYNC, VSYNC, SDA and SCL are 5 V tolerant inputs.

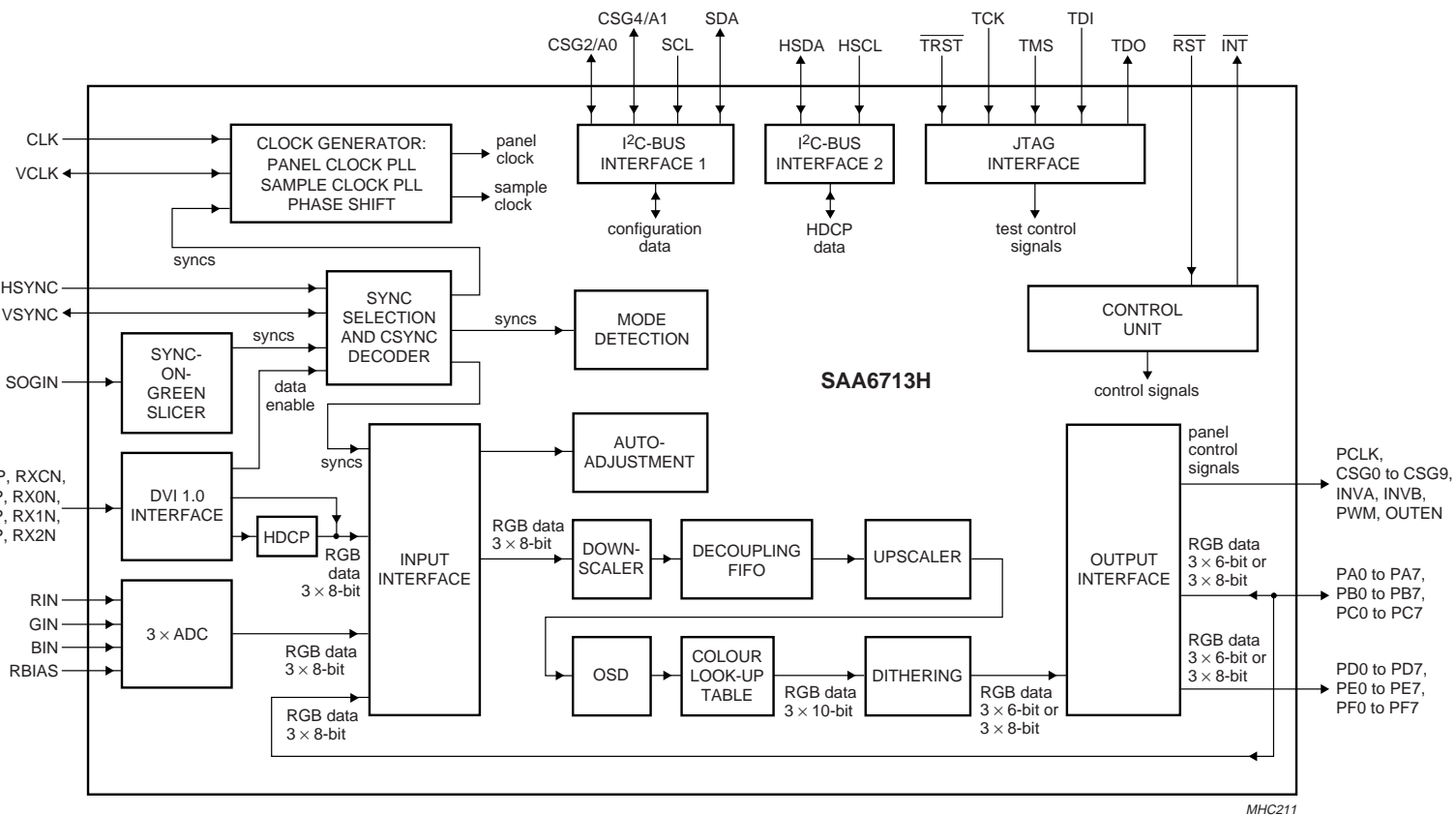
4 ORDERING INFORMATION

TYPE NUMBER	PACKAGE		
	NAME	DESCRIPTION	VERSION
SAA6713H/V1	QFP160	plastic quad flat package; 160 leads (lead length 1.6 mm); body 28 × 28 × 3.4 mm; high stand-off height	SOT322-2

XGA dual input flat panel controller

SAA6713H

5 BLOCK DIAGRAM



MHC211

Fig.1 Block diagram.

XGA dual input flat panel controller

SAA6713H

6 PINNING

SYMBOL	PIN ⁽¹⁾	TYPE	DESCRIPTION
V _{SSA(BIAS)(B)}	1	–	analog ground for bias; blue channel
BIN	2	A	blue colour signal input
V _{DDA(ADC)(B)}	3	–	analog supply voltage for ADC; blue channel (2.5 V)
REF_B	4	A	blue channel reference input
V _{SSA(ADC)(B)}	5	–	analog supply ground for ADC; blue channel
V _{DDA(B)}	6	–	analog supply voltage; blue channel (2.5 V)
V _{SSA(B)}	7	–	analog supply ground; blue channel
V _{DDA(IB)}	8	–	analog supply voltage for input buffers (3.0 V)
RBIAS	9	A	external bias resistor input
V _{SSA(BIAS)(SOG)}	10	–	analog ground for bias; sync-on-green
SOGIN	11	A	sync-on-green input
V _{SSA(BIAS)(G)}	12	–	analog ground for bias; green channel
GIN	13	A	green colour signal input
V _{DDA(ADC)(G)}	14	–	analog supply voltage for ADC; green channel (2.5 V)
REF_G	15	A	green channel reference input
V _{SSA(ADC)(G)}	16	–	analog supply ground for ADC; green channel
V _{DDA(G)}	17	–	analog supply voltage; green channel (2.5 V)
V _{SSA(G)}	18	–	analog supply ground; green channel
V _{SSA(BIAS)(R)}	19	–	analog ground for bias; red channel
RIN	20	A	red colour signal input
V _{DDA(ADC)(R)}	21	–	analog supply voltage for ADC; red channel (2.5 V)
REF_R	22	A	red channel reference input
V _{SSA(ADC)(R)}	23	–	analog supply ground for ADC; red channel
V _{DDA(R)}	24	–	analog supply voltage; red channel (2.5 V)
V _{SSA(R)}	25	–	analog supply ground; red channel
V _{DDA(DVI1)}	26	–	analog supply voltage 1 for DVI (2.5 V)
RX2P	27	A	differential red channel positive input
RX2N	28	A	differential red channel negative input
V _{SSA(DVI1)}	29	–	analog supply ground 1 for DVI
RX1P	30	A	differential green channel positive input
RX1N	31	A	differential green channel negative input
V _{DDA(DVI2)}	32	–	analog supply voltage 2 for DVI (2.5 V)
RX0P	33	A	differential blue channel positive input
RX0N	34	A	differential blue channel negative input
V _{SSA(DVI2)}	35	–	analog supply ground 2 for DVI
RXCN	36	A	differential clock negative input
RXCP	37	A	differential clock positive input
V _{DDA(DVI3)}	38	–	analog supply voltage 3 for DVI (2.5 V)
V _{SS(PLL)(DVI)}	39	–	supply ground for DVI phase locked loop
V _{DD(PLL)(DVI)}	40	–	supply voltage for DVI phase locked loop (2.5 V)

XGA dual input flat panel controller

SAA6713H

SYMBOL	PIN ⁽¹⁾	TYPE	DESCRIPTION
SDA	41	I/O	serial data input or output (I ² C-bus)
SCL	42	I	serial clock input (I ² C-bus)
HSDA	43	I/O	HDCP serial data input or output (I ² C-bus)
HSCL	44	I	HDCP serial clock input (I ² C-bus)
V _{SSD(IC1)}	45	–	internal digital core supply ground 1
V _{DDD(IC1)}	46	–	internal digital core supply voltage 1 (2.5 V)
CLK	47	I	master clock input
V _{SSD(EP1)}	48	–	external digital pad supply ground 1
V _{DDD(EP1)}	49	–	external digital pad supply voltage 1 (3.3 V)
INT	50	O	microcontroller interrupt output (active LOW)
RST	51	I	master reset input (active LOW)
PCLK	52	O	panel clock output
CSG0	53	O	control signal generator 0 output
CSG1	54	O	control signal generator 1 output
CSG2/A0	55	I/O	control signal generator 2 output (CSG2) or I ² C-bus slave address input, latched via hardware reset (A0)
V _{SSD(EP2)}	56	–	external digital pad supply ground 2
V _{DDD(EP2)}	57	–	external digital pad supply voltage 2 (3.3 V)
PA0	58	I/O	panel data port A bit 0
PA1	59	I/O	panel data port A bit 1
PA2	60	I/O	panel data port A bit 2
PA3	61	I/O	panel data port A bit 3
PA4	62	I/O	panel data port A bit 4
PA5	63	I/O	panel data port A bit 5
PA6	64	I/O	panel data port A bit 6
PA7	65	I/O	panel data port A bit 7
V _{SSD(EP3)}	66	–	external digital pad supply ground 3
V _{DDD(EP3)}	67	–	external digital pad supply voltage 3 (3.3 V)
PB0	68	I/O	panel data port B bit 0
PB1	69	I/O	panel data port B bit 1
V _{SSD(IC2)}	70	–	internal digital core supply ground 2
V _{DDD(IC2)}	71	–	internal digital core supply voltage 2 (2.5 V)
PB2	72	I/O	panel data port B bit 2
PB3	73	I/O	panel data port B bit 3
PB4	74	I/O	panel data port B bit 4
PB5	75	I/O	panel data port B bit 5
PB6	76	I/O	panel data port B bit 6
PB7	77	I/O	panel data port B bit 7
V _{SSD(EP4)}	78	–	external digital pad supply ground 4
V _{DDD(EP4)}	79	–	external digital pad supply voltage 4 (3.3 V)
PC0	80	I/O	panel data port C bit 0

XGA dual input flat panel controller

SAA6713H

SYMBOL	PIN ⁽¹⁾	TYPE	DESCRIPTION
PC1	81	I/O	panel data port C bit 1
PC2	82	I/O	panel data port C bit 2
PC3	83	I/O	panel data port C bit 3
PC4	84	I/O	panel data port C bit 4
PC5	85	I/O	panel data port C bit 5
PC6	86	I/O	panel data port C bit 6
PC7	87	I/O	panel data port C bit 7
V _{SSD} (EP5)	88	–	external digital pad supply ground 5
V _{DDD} (EP5)	89	–	external digital pad supply voltage 5 (3.3 V)
V _{SSD} (IC3)	90	–	internal digital core supply ground 3
V _{DDD} (IC3)	91	–	internal digital core supply voltage 3 (2.5 V)
PD0	92	O	panel data port D bit 0
PD1	93	O	panel data port D bit 1
PD2	94	O	panel data port D bit 2
PD3	95	O	panel data port D bit 3
PD4	96	O	panel data port D bit 4
PD5	97	O	panel data port D bit 5
PD6	98	O	panel data port D bit 6
PD7	99	O	panel data port D bit 7
V _{SSD} (EP6)	100	–	external digital pad supply ground 6
V _{DDD} (EP6)	101	–	external digital pad supply voltage 6 (3.3 V)
V _{SSD} (IC4)	102	–	internal digital core supply ground 4
V _{DDD} (IC4)	103	–	internal digital core supply voltage 4 (2.5 V)
PE0	104	O	panel data port E bit 0
PE1	105	O	panel data port E bit 1
PE2	106	O	panel data port E bit 2
PE3	107	O	panel data port E bit 3
PE4	108	O	panel data port E bit 4
PE5	109	O	panel data port E bit 5
PE6	110	O	panel data port E bit 6
PE7	111	O	panel data port E bit 7
V _{SSD} (EP7)	112	–	external digital pad supply ground 7
V _{DDD} (EP7)	113	–	external digital pad supply voltage 7 (3.3 V)
PF0	114	O	panel data port F bit 0
PF1	115	O	panel data port F bit 1
PF2	116	O	panel data port F bit 2
PF3	117	O	panel data port F bit 3
PF4	118	O	panel data port F bit 4
PF5	119	O	panel data port F bit 5
PF6	120	O	panel data port F bit 6
PF7	121	O	panel data port F bit 7

XGA dual input flat panel controller

SAA6713H

SYMBOL	PIN ⁽¹⁾	TYPE	DESCRIPTION
V _{SSD(IC5)}	122	–	internal digital core supply ground 5
V _{DDD(IC5)}	123	–	internal digital core supply voltage 5 (2.5 V)
V _{SSD(EP8)}	124	–	external digital pad supply ground 8
V _{DDD(EP8)}	125	–	external digital pad supply voltage 8 (3.3 V)
CSG3	126	O	control signal generator 3 output
CSG4/A1	127	I/O	control signal generator 4 output (CSG4) or I ² C-bus slave address input, latched via hardware reset (A1)
CSG5	128	O	control signal generator 5 output
CSG6	129	O	control signal generator 6 output
CSG7	130	O	control signal generator 7 output
V _{SSD(EP9)}	131	–	external digital pad supply ground 9
V _{DDD(EP9)}	132	–	external digital pad supply voltage 9 (3.3 V)
CSG8	133	O	control signal generator 8 output
CSG9	134	O	control signal generator 9 output
VCLK	135	I/O	sample clock input or output; configurable as output if generated internally
INVA	136	O	data inversion output of ports A, B and C
INVB	137	O	data inversion output of ports D, E and F
OUTEN	138	O	output enable status output
PWM	139	O	pulse width modulation for control of backlight brightness output
VSYNC	140	I/O	vertical sync input or output; configurable as output if decoded from DVI or composite sync
HSYNC	141	I	horizontal and composite sync input
V _{SSD(EP10)}	142	–	external digital pad supply ground 10
V _{DDD(EP10)}	143	–	external digital pad supply voltage 10 (3.3 V)
V _{SSD(IC6)}	144	–	internal digital core supply ground 6
V _{DDD(IC6)}	145	–	internal digital core supply voltage 6 (2.5 V)
V _{SS(PLL)(P)}	146	–	supply ground for panel clock phase locked loop
V _{DD(PLL)(P)}	147	–	supply voltage for panel clock phase locked loop (2.5 V)
n.c.	148	–	do not connect
V _{SSA(PLL)(S)}	149	–	analog supply ground for sample clock phase locked loop
V _{DDA(PLL)(S)}	150	–	analog supply voltage for sample clock phase locked loop (2.5 V)
V _{SSD(PLL)(S)}	151	–	digital supply ground for sample clock phase locked loop
V _{DDD(PLL)(S)}	152	–	digital supply voltage for sample clock phase locked loop (2.5 V)
TRST	153	I	test reset input for boundary scan test (active LOW); note 2
TCK	154	I	test clock input for boundary scan test; note 2
TDI	155	I	test data input for boundary scan test; note 2
TMS	156	I	test mode select input for boundary scan test or scan test; note 2
TDO	157	O	test data output for boundary scan test

XGA dual input flat panel controller

SAA6713H

SYMBOL	PIN ⁽¹⁾	TYPE	DESCRIPTION
V _{SSA(EP)}	158	–	external analog pad supply ground
V _{DDA(EP)}	159	–	external analog pad supply voltage (3.3 V)
AGCANA	160	–	analog test pad (should be connected to analog ground for application)

Notes

1. For pin type description see Table 1.
2. For board design without boundary scan implementation connect pins $\overline{\text{TRST}}$, TCK, TDI and TMS to ground.

Table 1 Pin type description

TYPE	DESCRIPTION
A	analog input
I	digital input
O	digital output
I/O	digital input or output

XGA dual input flat panel controller

SAA6713H

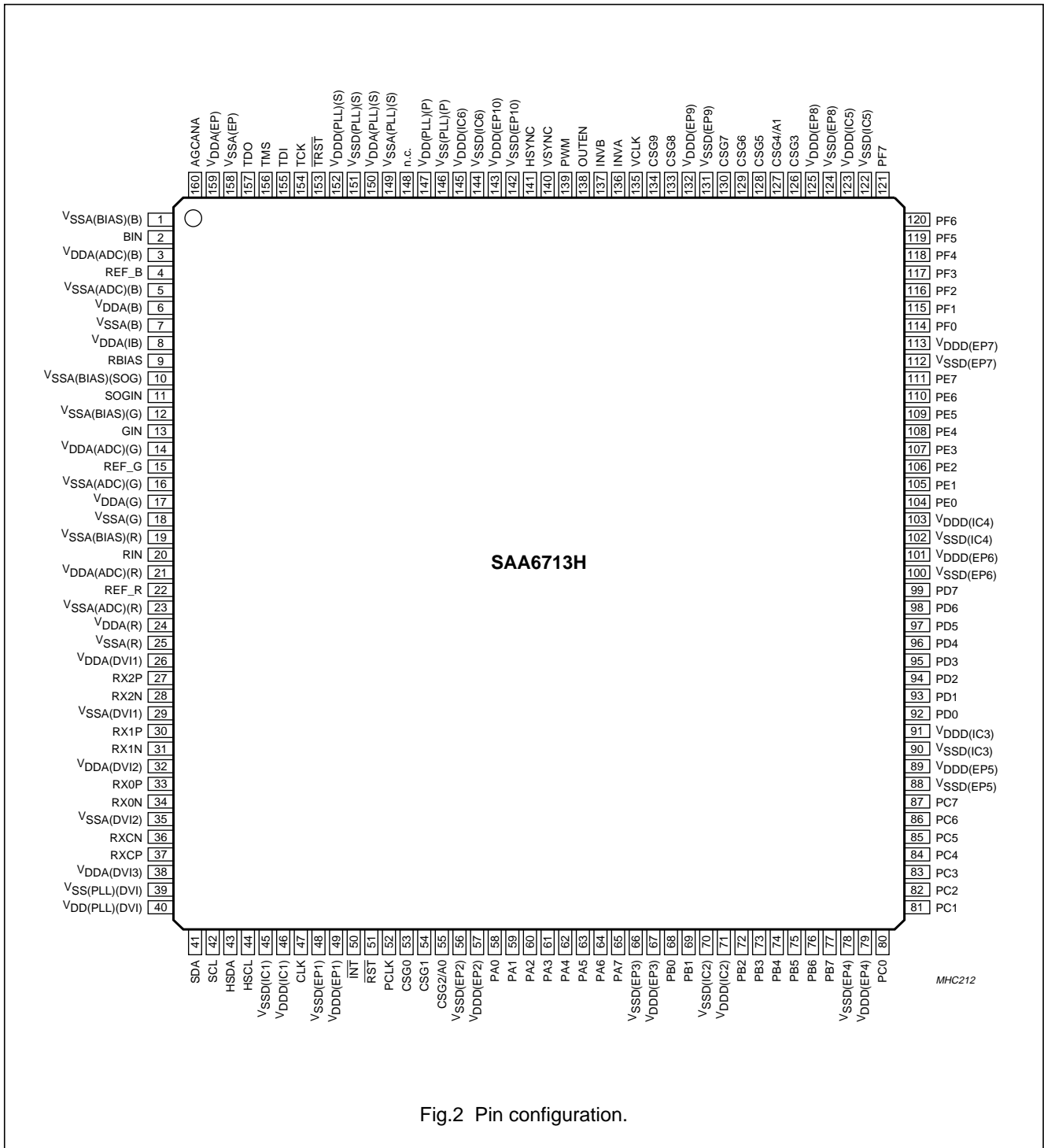


Fig.2 Pin configuration.

XGA dual input flat panel controller

SAA6713H

7 FUNCTIONAL DESCRIPTION

In this chapter detailed information for the general configuration of the SAA6713H is provided as well as detailed background information belonging to certain submodules of the device. Due to the high complexity of the device functionality this section should be studied very carefully.

7.1 Programming registers

7.1.1 CONFIGURATION PARAMETER MAPPING

The SAA6713H operation is controlled by configuration parameters, that can be multiple-bit words or consist of only a single bit. The configuration parameters are mapped to bits of the 8 bit I²C-bus programming registers, that are accessible via the I²C-bus interface. Read-out data such as measurement results or interrupt states is mapped to readable I²C-bus registers.

The I²C-bus registers are organized in pages. Generally, a register can only be accessed if the particular page is activated with the exception of global registers, so non-global registers are addressed by the I²C-bus subaddress in combination with the matching active page, but global registers are addressed by the subaddress independently of the active page.

The global registers are mapped to I²C-bus subaddresses F8H to FFH. The active page is defined by page_select at subaddress FFH. In general, registers belonging to the same functional unit are mapped onto the same page. The I²C-bus register pages are shown in Table 2.

Table 2 I²C-bus register pages

PAGE	FUNCTIONAL UNIT
0	control unit and clock generator
1	ADC control
2	mode detection
3	auto-adjustment
4	input interface and picture generator
5	colour processing
6	decoupling FIFO
7	scalers
8	OSD
9	OSD colour definition
10	gamma correction and dithering
11	TFT output interface

7.1.2 I²C-BUS INTERFACE

The I²C-bus serial interface consists of two pins: the serial clock pin SCL and the serial data pin SDA.

7.1.2.1 Transmission bit rate

The I²C-bus interface supports transmission speeds of up to 3.4 Mbits/s, given that a minimum system clock rate is provided. The required system clock rate depends on the target I²C-bus bit rate, which is the clock rate applied to pin SCL, and the spike suppression mode selected by iic_spike_mode in register IIC_MODE (03H at page 0) as shown in Table 3. If iic_spike_mode is set to 2, a high oversampling rate is used and the most effective spike suppression is provided.

Table 3 I²C-bus spike suppression modes

iic_spike_mode[1:0]	SYSTEM CLOCK	DESCRIPTION
00	>6 × I ² C-bus bit rate	2-out-of-2 filter
01	>6 × I ² C-bus bit rate	2-out-of-3 majority filter
10	>16 × I ² C-bus bit rate	4-out-of-4 filter
11	not used	

7.1.2.2 I²C-bus transmission timing

The SAA6713H only operates as a slave and the clock pin SCL is exclusively input. Data is transmitted and received at I/O pin SDA. The SDA is an open-drain stage with an external pull-up resistor. When a logic 0 is applied, the bus is pulled to LOW-level by the output buffer. When a logic 1 is applied, the output buffer switches to 3-state and the pull-up resistor pulls the bus up to HIGH-level.

Data transfers are initiated by an I²C-bus master device by sending the start condition, which is a change from HIGH-to-LOW level at SDA when SCL is at HIGH-level (see Fig.3).

Data is transmitted byte wise. Data changes on SDA are allowed only when SCL is at LOW-level and data is sampled on the positive edge of SCL. The first transmitted byte is the recipients I²C-bus device address and the data transfer direction bit. All byte transfers are acknowledged by the recipient by pulling SDA to LOW-level for the following cycle.

XGA dual input flat panel controller

SAA6713H

If the write mode was selected, the bus master sends a byte containing the starting subaddress and then a series of data bytes. In case the read mode was selected, the addressed slave returns a series of data bytes. A read transfer is preceded by a write transfer that transmits the starting subaddress.

Data transfers are aborted by the stop condition, when SDA is changed by the master from LOW-to-HIGH level when SCL is at HIGH-level (see Fig.4).

7.1.2.3 I²C-bus device address

Bits A0 and A1 of the I²C-bus device address are externally selected by two input pins CSG2/A0 and CSG4/A1. The device address (byte) of the SAA6713H is shown in Table 4.

Table 4 I²C-bus device address byte

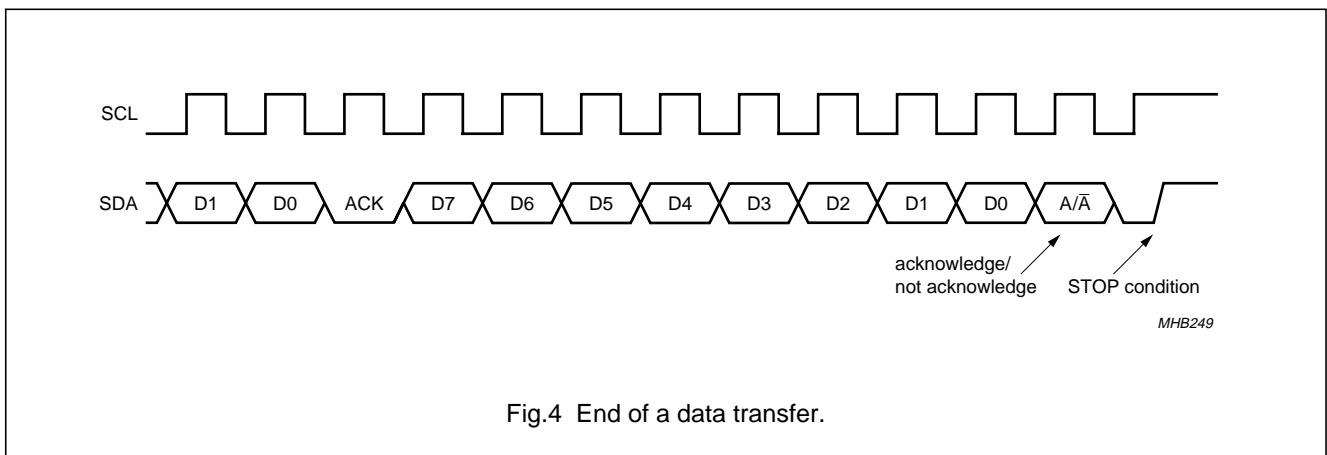
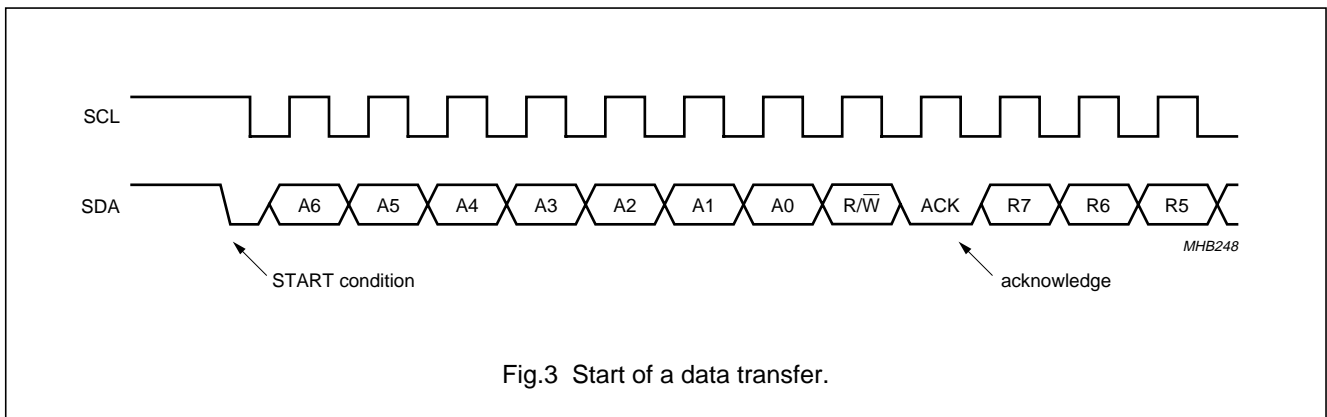
MSB							LSB
DEVICE ADDRESS BITS							R/W
0	1	1	1	0	A1	A0	0/1

The four possible I²C-bus device addresses are selected via resistor strapping at pins CSG2/A0 and CSG4/A1 (see Table 5).

During the hardware reset (pin \overline{RST} = LOW), pins CSG2/A0 and CSG4/A1 are 3-stated. Their status at the trailing edge of signal \overline{RST} will latch and determine the device address. Pull-up and pull-down resistors (4.7 k Ω suggested) select the address. An internal pull-down resistance of approximately 100 k Ω is provided and eliminates potentially the need for any external strapping resistor. After reset, the pins carry the output of the programmable signal generators.

Table 5 Device address selection

I ² C-BUS DEVICE ADDRESS	STRAPPING RESISTOR	
	PIN CSG4/A1	PIN CSG2/A0
70H	pull-down	pull-down
72H	pull-down	pull-up
74H	pull-up	pull-down
76H	pull-up	pull-up



XGA dual input flat panel controller

SAA6713H

7.1.2.4 I²C-bus subaddress

When transmitting a series of data bytes, after a data byte has been written or read, the subaddress for the following byte is automatically updated to allow burst access. During burst access a sequence of data bytes is written or read without repeated device or subaddressing. In general, the I²C-bus auto-increment feature uses the next higher subaddress as the succeeding byte's subaddress.

Auto-incrementing is suppressed for several addresses that provide access to the on-chip parameter RAM. In the event of upscaler register USC_LUT_DATA (02H at page 7) subsequent data is written to the same subaddress and the scaling curve RAM address is incremented instead.

For OSD registers OSDT_PROP2 to OSDT_PROP0, OSDB_DEF and OSDP_DEF (0FH to 11H, 31H and 4CH at page 8) and colour look-up table register CL_VALUE_LO (03H at page 10) different subaddress update modes are selectable and are described in the respective subsection.

7.1.2.5 Multiple byte parameters

Parameters or read-out data words consisting of more than 8 bits are mapped into the address space in the order highest byte at the lowest address to lowest byte at the highest address. Multiple byte configuration parameters have to be written lowest address first and only become effective, once the byte of the highest address was written. Multiple byte read registers have to be read-out in the same order.

7.1.2.6 I²C-bus test register

Register IIC_TEST (02H at page 0) is a read and write register that can be used to verify correct operations of the I²C-bus. Any programmed value can be read back.

7.1.3 I²C-BUS REGISTER LISTING

The global registers are listed in Table 6.

The page-mapped registers are listed for each register page in Tables 7 to 17.

XGA dual input flat panel controller

SAA6713H

Table 6 Global configuration registers

REGISTER	ADR	R/W	RESET	D7	D6	D5	D4	D3	D2	D1	D0
Global control: FAH to FFH											
GC_MISC0	FAH	W	00H	avi_noclamp_sog_en	dvi_lock_sgnl_sel	reserved			dvi_acc_phase_diff	dvi_phase_adj_threshold	
GC_MISC1	FBH	W	FFH	avi_noclamp_pol	reserved			dvi_delock_int_mdd_en	reserved		
GC_RESET	FCH	W	—1 0000				reset_csdec_n	reset_dvick	reset_fclk	reset_bclk	reset_oif
GC_INT_MASK	FDH	W	—0—0 0000		int_iif_en		int_mode_en	int_auto_en	int_fifo_en	int_osd_en	int_oif_en
GC_INT_CLR	FEH	W	—1—1 1111		int_iif_clr		int_mode	int_auto	int_fifo	int_osd	int_oif
GC_INT_STAT	FEH	R	—0—0 0000		int_iif_stat		int_mode	int_auto	int_fifo	int_osd	int_oif
GC_PAGE	FFH	R/W	— — — 0000					page_select[3:0]			

Table 7 General control configuration registers (page 0); note 1

REGISTER	ADR	R/W	RESET	D7	D6	D5	D4	D3	D2	D1	D0
Device identification: 00H to 03H											
DEV_ID_HI	00H	R	13H	dev_id[15:8]							
DEV_ID_LO	01H	R	1CH	dev_id[7:0]							
IIC_TEST	02H	R/W	00H	iic_test[7:0]							
IIC_MODE	03H	W	— — — — 00							iic_spike_mode[1:0]	
Clock distribution: 10H to 12H											
CD_CLK_EN	10H	W	—00 0000			cfgclk_on	osd_cfgclk_on	aacclk_on	dscclk_on	uscclk_on	osdclk_on
CD_CLK_AUTO	11H	W	— — — 1111					aacclk_auto	dscclk_auto	uscclk_auto	osdclk_auto
CD_CLK_MUX	12H	W	—11 0110			vclk_in_en	cfgclk_select	fifo_fclk	frontend_bclk	bclk_in_en	clk_div4
Sync distribution: 18H and 19H											
SYNC_SEL	18H	W	— — — 0 0000				hs_regen_in_en	vsync_out_en	cs_dvi_de	sog_out_en	sog_en

XGA dual input flat panel controller

SAA6713H

REGISTER	ADR	R/W	RESET	D7	D6	D5	D4	D3	D2	D1	D0
SYNC_DIS	19H	W	−000 0000		mdd_dvi_ on	mdd_cs_ sog_en	mdd_hs_ regen_on		iif_dvi_on	iif_cs_sog_ en	iif_hs_ regen_on
PLL programming: 20H to 29H											
CD_PLL_CTRL	20H	W	−010 −000		line_pll_ hs_pol	line_pll_ vs_pol	line_pll_en		pll_src	pll_pre_ div_en	pll_en
CD_PLL_P_HI	21H	W	00H	pll_pre_div[15:8]							
CD_PLL_P_LO	22H	W	00H	pll_pre_div[7:0]							
CD_PLL_HI	23H	W	−00 0000			pll_m_div[1:0]		pll_n_div[11:8]			
CD_PLL_LO	24H	W	00H	pll_n_div[7:0]							
CD_LPLL_HI	25H	W	−00 0000			line_pll_m_div[1:0]		line_pll_n_div[11:8]			
CD_LPLL_LO	26H	W	00H	line_pll_n_div[7:0]							
CD_LPLL_PHA	27H	W	−00 0000				line_pll_phase[4:0]				
CD_LPLL_PD	28H	W	−100 0000		phase_ auto	phase_ select	pd_pll_phase[4:0]				
CD_PLL_LOCK	29H	R	−−−− −XXX						phase_ inlock	pll_inlock	llpll_inlock
Interface timing: 34H and 35H											
IT_CTRL	34H	W	−01 1111			tmds_ select	phase_ por_pol	dvi_por_pol	dvi_pon_ pol	adc_pon_ pol	bigger_ out_pol
IT_PLL	35H	W	−−−− 1111					pll_coast_ pol	pll_pon_ pol	llpll_coast_ pol	llpll_pon_ pol

Note

1. X = don't care.

Table 8 ADC configuration and DVI/HDCP registers (page 1); note 1

REGISTER	ADR	R/W	RESET	D7	D6	D5	D4	D3	D2	D1	D0
ADC programming: 00H to 06H											
ADC_CTRL	00H	W	−−−− −000						sog_vs_ disable	reserved	sync_on_ green_en
ADC_R_BRI	01H	W	00H	adc_red_brightness[7:0]							
ADC_R_CON	02H	W	00H	adc_red_contrast[7:0]							
ADC_G_BRI	03H	W	00H	adc_green_brightness[7:0]							

XGA dual input flat panel controller

SAA6713H

REGISTER	ADR	R/W	RESET	D7	D6	D5	D4	D3	D2	D1	D0
ADC_G_CON	04H	W	00H	adc_green_contrast[7:0]							
ADC_B_BRI	05H	W	00H	adc_blue_brightness[7:0]							
ADC_B_CON	06H	W	00H	adc_blue_contrast[7:0]							
HDCP: 80H to 97H											
DVI_HDCP_CTRL	80H	W	— — — — 00							key_decrypt_enable	hdcp_enable
DVI_HDCP_ADDR	81H	W	74H	hdcp_ddc_addr							
DVI_HDCP_KDS_HI	82H	W	XX	key_decrypt_seed[15:8]							
DVI_HDCP_KDS_LO	83H	W	XX	key_decrypt_seed[7:0]							
Reserved	84H to 8AH										
DVI_HDCP_BKSV4	8BH	W	XX	hdcp_bksv[39:32]							
DVI_HDCP_BKSV3	8CH	W	XX	hdcp_bksv[31:24]							
DVI_HDCP_BKSV2	8DH	W	XX	hdcp_bksv[23:16]							
DVI_HDCP_BKSV1	8EH	W	XX	hdcp_bksv[15:8]							
DVI_HDCP_BKSV0	8FH	W	XX	hdcp_bksv[7:0]							
DVI_HDCP_KIDX	90H	W	— 00 0000			hdcp_key_index[5:0]					
DVI_HDCP_KEY6	91H	W	XX	hdcp_key[55:48]							
DVI_HDCP_KEY5	92H	W	XX	hdcp_key[47:40]							
DVI_HDCP_KEY4	93H	W	XX	hdcp_key[39:32]							
DVI_HDCP_KEY3	94H	W	XX	hdcp_key[31:24]							
DVI_HDCP_KEY2	95H	W	XX	hdcp_key[23:16]							
DVI_HDCP_KEY1	96H	W	XX	hdcp_key[15:8]							
DVI_HDCP_KEY0	97H	W	XX	hdcp_key[7:0]							

Note

1. X = don't care.

XGA dual input flat panel controller

SAA6713H

Table 9 Mode detection configuration registers (page 2); note 1

REGISTER	ADR	R/W	RESET	D7	D6	D5	D4	D3	D2	D1	D0		
Mode detection: 00H to 0EH													
MD_CTRL	00H	W	—000 0000			no_vsync_int_en	clear_int	int_lock	delay_vsync	h_clocks_accu	h_clocks_cont	md_on	
MD_INT_EN	01H	W	0000 0000	jitter_int_en	v_lines_int_en	v_clocks_int_en	h_clocks_int_en	no_hsync_int_en	vsync_int_en	vsync_pol_int_en	hsync_pol_int_en		
MD_POL	02H	R	—0 0011				jitter_detected	vsync_pol	hsync_pol	no_vsync	no_hsync		
MD_V_LINE_HI	03H	R	— — — — 000							v_lines[10:8]			
MD_V_LINE_LO	04H	R	00H	v_lines[7:0]									
MD_H_CLK_HI	05H	R	00H	h_clocks[15:8]									
MD_H_CLK_LO	06H	R	00H	h_clocks[7:0]									
MD_V_CLK_HI	07H	R	00H	v_clocks[23:16]									
MD_V_CLK_MD	08H	R	00H	v_clocks[15:8]									
MD_V_CLK_LO	09H	R	00H	v_clocks[7:0]									
MD_INT_HI	0AH	R	—00 0000			vsync_int	jitter_int	vsync_pol_int	hsync_pol_int	no_vsync_int	no_hsync_int		
MD_INT_LO	0BH	R	— — — — 000						v_lines_int	h_clocks_int	v_clocks_int		
MD_ACT_INT	0CH	R	X000 0000	delock_int	reserved	dvs_act_int	dhs_act_int	asog_act_int	acsvs_act_int	avs_act_int	ahs_act_int		
MD_SYNC_ACT	0DH	R	—00 0000			dvs_active	dhs_active	asog_active	acsvs_active	avs_active	ahs_active		
MD_ACT_IEN	0EH	W	0000 0000	delock_int_en	reserved	dvs_int_en	dhs_int_en	asog_int_en	acsvs_int_en	avs_int_en	ahs_int_en		
DVI enhancements: 20H to 21H													
DVI_FILTER_0	20H	W	00H	dvi_filter[7:0] recommended value FDH									
DVI_FILTER_1	21H	W	00H	dvi_filter[7:0] recommended value 3FH									

Note

1. X = don't care.

XGA dual input flat panel controller

SAA6713H

Table 10 Auto-adjustment configuration registers (page 3); note 1

REGISTER	ADR	R/W	RESET	D7	D6	D5	D4	D3	D2	D1	D0
Auto-adjustment: 08H to 16H and 40H to 4DH											
AA_RC0_HI	08H	W	---- -XXX								ref_col_0[10:8]
AA_RC0_LO	09H	W	XX	ref_col_0[7:0]							
AA_RR0_HI	0AH	W	---- XXXX								ref_row_0[11:8]
AA_RR0_LO	0BH	W	XX	ref_row_0[7:0]							
AA_RC1_HI	0CH	W	---- -XXX								ref_col_1[10:8]
AA_RC1_LO	0DH	W	XX	ref_col_1[7:0]							
AA_RR1_HI	0EH	W	---- XXXX								ref_row_1[11:8]
AA_RR1_LO	0FH	W	XX	ref_row_1[7:0]							
AA_RCR0	10H	W	XX	ref_colour_0[23:16]							
AA_RCG0	11H	W	XX	ref_colour_0[15:8]							
AA_RCB0	12H	W	XX	ref_colour_0[7:0]							
AA_RCR1	13H	W	XX	ref_colour_1[23:16]							
AA_RCG1	14H	W	XX	ref_colour_1[15:8]							
AA_RCB1	15H	W	XX	ref_colour_1[7:0]							
AA_CTRL	16H	W	—01 1000			aa_cycles[1:0]		aa_submode[1:0]		aa_mode[1:0]	
AA_EPR0	40H	R	00H	ref_pixel_red_0[7:0]							
AA_EPG0	42H	R	00H	ref_pixel_green_0[7:0]							
AA_EPB0	44H	R	00H	ref_pixel_blue_0[7:0]							
AA_EPR1	41H	R	00H	ref_pixel_red_1[7:0]							
AA_EPG1	43H	R	00H	ref_pixel_green_1[7:0]							
AA_EPB1	45H	R	00H	ref_pixel_blue_1[7:0]							
AA_ER0_HI	46H	R	00H	eval_row_0[15:8]							
AA_ER0_LO	47H	R	00H	eval_row_0[7:0]							
AA_EC0_HI	48H	R	00H	eval_col_0[15:8]							
AA_EC0_LO	49H	R	00H	eval_col_0[7:0]							
AA_ER1_HI	4AH	R	00H	eval_row_1[15:8]							
AA_ER1_LO	4BH	R	00H	eval_row_1[7:0]							
AA_EC1_HI	4CH	R	00H	eval_col_1[15:8]							
AA_EC1_LO	4DH	R	00H	eval_col_1[7:0]							

XGA dual input flat panel controller

SAA6713H

Note

1. X = don't care.

Table 11 Input interface configuration registers (page 4)

REGISTER	ADR	R/W	RESET	D7	D6	D5	D4	D3	D2	D1	D0
Input interface: 00H to 0FH											
II_CTRL	00H	W	0–00 0101	test_out_en		reverse_field_id	interlace_on	test_pic_on	ext_select	dvi_select	in_form_on
II_SYNC_CTRL	01H	W	110– –011	sync_clk_edge	ext_clk_edge	dvi_de_auto_adj			hsync_edge	vs_pol	hs_pol
II_ADC_CTRL	02H	W	1001 1111	delay_vs	convert_2s	dvi_use_hsync	dvi_de_pol	gainc_en	clamp_en	gainc_pol	clamp_pol
II_CLAMP_ON	03H	W	02H	clamp_on_delay[7:0]							
II_CLAMP_OFF	04H	W	05H	clamp_off_delay[7:0]							
II_GAINC_ON	05H	W	01H	gainc_on_delay[7:0]							
II_GAINC_OFF	06H	W	01H	gainc_off_delay[7:0]							
II_HLEN_HI	07H	W	— 0000					in_h_length[11:8]			
II_HLEN_LO	08H	W	3CH	in_h_length[7:0]							
II_VLEN_HI	09H	W	— 0000					in_v_length[11:8]			
II_VLEN_LO	0AH	W	28H	in_v_length[7:0]							
II_HOFF_HI	0BH	W	— 0000					in_h_offset[11:8]			
II_HOFF_LO	0CH	W	00H	in_h_offset[7:0]							
II_VOFF_HI	0DH	W	— 0000					in_v_offset[11:8]			
II_VOFF_LO	0EH	W	00H	in_v_offset[7:0]							
II_HJIT	0FH	W	05H	hs_jitter_th[7:0]							
Picture generator: 10H to 1CH											
PG_CTRL	10H	W	0010 0010	invert	white_border	h_ramp_r	h_ramp_g	h_ramp_b	v_ramp_r	v_ramp_g	v_ramp_b
PG_HTOTAL_HI	11H	W	— 0000					h_length_total[11:8]			
PG_HTOTAL_LO	12H	W	51H	h_length_total[7:0]							
PG_VTOTAL_HI	13H	W	— 0000					v_length_total[11:8]			
PG_VTOTAL_LO	14H	W	35H	v_length_total[7:0]							
PG_HSTEP1	15H	W	01H	h_step1[7:0]							
PG_HINC1	16H	W	02H	h_colour_inc1[7:0]							

XGA dual input flat panel controller

SAA6713H

REGISTER	ADR	R/W	RESET	D7	D6	D5	D4	D3	D2	D1	D0
PG_HSTEP2	17H	W	00H	h_step2[7:0]							
PG_HINC2	18H	W	FFH	h_colour_inc2[7:0]							
PG_VSTEP1	19H	W	14H	v_step1[7:0]							
PG_VINC1	1AH	W	FFH	v_colour_inc1[7:0]							
PG_VSTEP2	1BH	W	01H	v_step2[7:0]							
PG_VINC2	1CH	W	FFH	v_colour_inc2[7:0]							

Table 12 Colour processing configuration registers (page 5)

REGISTER	ADR	R/W	RESET	D7	D6	D5	D4	D3	D2	D1	D0
Colour processing: 00H to 0BH											
CP_GAIN_Y	00H	W	80H	gain_y[7:0]							
CP_GAIN_CB	01H	W	80H	gain_cb[7:0]							
CP_GAIN_CR	02H	W	80H	gain_cr[7:0]							
CP_OFFS_Y	03H	W	00H	offset_y[7:0]							
CP_OFFS_CB	04H	W	00H	offset_cb[7:0]							
CP_OFFS_CR	05H	W	00H	offset_cr[7:0]							
CP_GAIN_R	06H	W	80H	gain_r[7:0]							
CP_GAIN_G	07H	W	80H	gain_g[7:0]							
CP_GAIN_B	08H	W	80H	gain_b[7:0]							
CP_OFFS_R	09H	W	00H	offset_r[7:0]							
CP_OFFS_G	0AH	W	00H	offset_g[7:0]							
CP_OFFS_B	0BH	W	00H	offset_b[7:0]							

Table 13 Decoupling FIFO configuration registers (page 6)

REGISTER	ADR	R/W	RESET	D7	D6	D5	D4	D3	D2	D1	D0
Decoupling FIFO: 00H and 01H											
DF_THLD	00H	W	01H	fifo_threshold[7:0]							
DF_CTRL	01H	W	—— —10							line_lock	reserved

XGA dual input flat panel controller

SAA6713H

Table 14 Scaler configuration registers (page 7); note 1

REGISTER	ADR	R/W	RESET	D7	D6	D5	D4	D3	D2	D1	D0
Upscaler: 00H to 09H, 0DH, 0FH, 11H and 14H to 18H											
USC_CTRL	00H	W	1010 1101	filter_type[1:0]		1	0	0	0	usc_flip_h	usc_en
USC_LUT_ADR	01H	W	1100 0000	v_lut_sel	h_lut_sel	lut_addr[5:0]					
USC_LUT_DATA	02H	W	XX	lut_data[7:0]							
USC_H_INC_HI	03H	W	— 0000					h_scale_incr[11:8]			
USC_H_INC_LO	04H	W	55H	h_scale_incr[7:0]							
USC_H_CORR	05H	W	–010 0010		h_scale_corr[6:0]						
USC_V_INC_HI	06H	W	— 0000					v_scale_incr[11:8]			
USC_V_INC_LO	07H	W	0110 0000	v_scale_incr[7:0]							
USC_V_CORR	08H	W	–000 0000		v_scale_corr[6:0]						
USC_H_PHA	09H	W	—00 0000		h_phase_off[5:0]						
USC_V_PHA_0	0DH	W	—00 0000		v_phase_off_0[5:0]						
USC_V_PHA_1	0FH	W	—00 0000		v_phase_off_1[5:0]						
USC_PHA_SEL	11H	W	— — — –000						v_phase_off_sel[1:0]		set to '0'
Reserved	14H to 18H	–	–								
Downscaler: 40H to 44H											
DS_EN	40H	W	— — — — 10							flip_h	dsc_en
DS_HSC	41H	W	–011 0011		dsc_h_incr[6:0]						
DS_HSC_CO	42H	W	–001 0100		dsc_h_incr_corr[6:0]						
DS_VSC	43H	W	–011 0000		dsc_v_incr[6:0]						
DS_VSC_CO	44H	W	–000 0000		dsc_v_incr_corr[6:0]						

Note

1. X = don't care.

XGA dual input flat panel controller

SAA6713H

Table 15 Definition of OSD configuration registers (pages 8 and 9); note 1

REGISTER	ADR	R/W	RESET	D7	D6	D5	D4	D3	D2	D1	D0
Control registers (page 8)											
OSD TEXT: 00H TO 1FH											
OSDT_CTRL0	00H	W	X000 0000	areafill_start	window_shadow	h_flip	v_flip	rotate_right	zoom[1:0]		text_on
OSDT_CTRL1	01H	W	— 0011					txt_shadow_style	0	1	1
OSDT_BGA	02H	W	7FH	bg_alpha[7:0]							
OSDT_FGA	03H	W	7FH	fg_alpha[7:0]							
OSDT_WX	04H	W	28H	text_column[7:0]							
OSDT_WY	05H	W	1EH	text_row[7:0]							
OSDT_PX_HI	06H	W	— — — — 000						x_position[10:8]		
OSDT_PX_LO	07H	W	00H	x_position[7:0]							
OSDT_PY_HI	08H	W	— — — — 000						y_position[10:8]		
OSDT_PY_LO	09H	W	00H	y_position[7:0]							
OSDT_WSHAD	0AH	W	— 000 — 000		window_shadow_height[2:0]			window_shadow_width[2:0]			
OSDT_BDLY	0BH	W	3CH	blink_delay[7:0]							
OSDT_CURX	0CH	R/W	00H	cursor_column[7:0]							
OSDT_CURY	0DH	R/W	00H	cursor_row[7:0]							
OSDT_MASK	0EH	W	1111 1111	blink_mask	shadow_mask	bg_mask	fg_mask	code_mask	write_mode[2:0]		
OSDT_PROP2	0FH	W	— 000 0000		blink[1:0]		shadow	bg_trans	fg_trans	bg_alpha	fg_alpha
OSDT_PROP1	10H	W	0001 1110	bg_colour[2:0]			fg_colour[2:0]/palette[2:0]			ROM	charcode [8]
OSDT_PROP0	11H	W	00H	charcode[7:0]							
OSDT_FR_X	12H	W	— — 0 1100				font_horizontal_resolution[4:0]				
OSDT_FR_Y	13H	W	— — 1 0010				font_vertical_resolution[4:0]				
OSDT_SC_HI	14H	W	— — — — 0								sc_startcode [8]
OSDT_SC_LO	15H	W	00H	sc_startcode[7:0]							

XGA dual input flat panel controller

SAA6713H

REGISTER	ADR	R/W	RESET	D7	D6	D5	D4	D3	D2	D1	D0
OSDT_CC_HI	16H	W	0— — — 0	single_ char_def							define_ charcode [8]
OSDT_CC_LO	17H	W	00H	define_charcode[7:0]							
OSDT_CMASK	18H	W	FFH	definition_mask[7:0]							
OSDT_CDEF	19H	W	00H	char_definition[7:0]							
OSDT_FAULX	1AH	W	XX	fill_area_upper_left_corner_x[7:0]							
OSDT_FAULY	1BH	W	XX	fill_area_upper_left_corner_y[7:0]							
OSDT_FABRX	1CH	W	XX	fill_area_bottom_right_corner_x[7:0]							
OSDT_FABRY	1DH	W	XX	fill_area_bottom_right_corner_y[7:0]							
OSDT_SLP1	1EH	W	0001 0001	slider_border[3:0]				slider_offset[3:0]			
OSDT_SLP0	1FH	W	— — 0 0001				slider_style	slider_gap[3:0]			
OSD BITMAP: 20H TO 31H											
OSDB_CTRL0	20H	W	— 000 0000		bitmap_ behind	h_flip	v_flip	rotate_right	zoom[1:0]		bitmap_on
OSDB_CTRL1	21H	W	— XX0 0011		bpp[1:0]		bg_trans	fg_trans	0	1	1
OSDB_BGA	22H	W	7FH	bg_alpha[7:0]							
OSDB_FGA	23H	W	7FH	fg_alpha[7:0]							
OSDB_SX_HI	24H	W	— — — — 100						width[10:8]		
OSDB_SX_LO	25H	W	00H	width[7:0]							
OSDB_SY_HI	26H	W	— — — — 000						height[10:8]		
OSDB_SY_LO	27H	W	04H	height[7:0]							
OSDB_PX_HI	28H	W	— — — — 000						x_position[10:8]		
OSDB_PX_LO	29H	W	00H	x_position[7:0]							
OSDB_PY_HI	2AH	W	— — — — 000						y_position[10:8]		
OSDB_PY_LO	2BH	W	00H	y_position[7:0]							
OSDB_CX_HI	2CH	W	— — — — 000						cursor_column[10:8]		
OSDB_CX_LO	2DH	W	00H	cursor_column[7:0]							
OSDB_CY_HI	2EH	W	— — — — 000						cursor_row[10:8]		
OSDB_CY_LO	2FH	W	00H	cursor_row[7:0]							
OSDB_MASK	30H	W	XX	definition_mask[7:0]							
OSDB_DEF	31H	W	XX	pixel_definition[7:0]							

XGA dual input flat panel controller

SAA6713H

REGISTER	ADR	R/W	RESET	D7	D6	D5	D4	D3	D2	D1	D0
OSD POINTER: 40H TO 4CH											
OSDP_CTRL0	40H	W	0000 0000	autosel_en	buffer_sel	h_flip	v_flip	rotate_right	zoom[1:0]		pointer_on
OSDP_CTRL1	41H	W	—00 0011			anim_int_en	bg_trans	fg_trans	0	1	1
OSDP_BGA	42H	W	FFH	bg_alpha[7:0]							
OSDP_FGA	43H	W	FFH	fg_alpha[7:0]							
OSDP_AD	44H	W	1EH	anim_delay[7:0]							
OSDP_DW	45H	W	— — — — —00							defwidth[1:0]	
OSDP_PX_HI	46H	W	— — — — —000						x_position[10:8]		
OSDP_PX_LO	47H	W	00H	x_position[7:0]							
OSDP_PY_HI	48H	W	— — — — —000						y_position[10:8]		
OSDP_PY_LO	49H	W	00H	y_position[7:0]							
OSDP_CX	4AH	W	— — —0 0000				cursor_column[4:0]				
OSDP_CY	4BH	W	— — —0 0000				cursor_row[4:0]				
OSDP_DEF	4CH	W	00H	pixel_definition[7:0]							
Colour definitions (page 9)											
OSD TEXT COLOURS: 00H TO 92H											
OSDT_FGC0R	00H	W	00H	osd_text_foreground_colour0_red[7:0]							
OSDT_FGC0G	01H	W	00H	osd_text_foreground_colour0_green[7:0]							
OSDT_FGC0B	02H	W	00H	osd_text_foreground_colour0_blue[7:0]							
OSDT_FGC1R	03H	W	FFH	osd_text_foreground_colour1_red[7:0]							
OSDT_FGC1G	04H	W	00H	osd_text_foreground_colour1_green[7:0]							
OSDT_FGC1B	05H	W	00H	osd_text_foreground_colour1_blue[7:0]							
OSDT_FGC2R	06H	W	00H	osd_text_foreground_colour2_red[7:0]							
OSDT_FGC2G	07H	W	FFH	osd_text_foreground_colour2_green[7:0]							
OSDT_FGC2B	08H	W	00H	osd_text_foreground_colour2_blue[7:0]							
OSDT_FGC3R	09H	W	00H	osd_text_foreground_colour3_red[7:0]							
OSDT_FGC3G	0AH	W	00H	osd_text_foreground_colour3_green[7:0]							
OSDT_FGC3B	0BH	W	FFH	osd_text_foreground_colour3_blue[7:0]							
OSDT_FGC4R	0CH	W	FFH	osd_text_foreground_colour4_red[7:0]							
OSDT_FGC4G	0DH	W	FFH	osd_text_foreground_colour4_green[7:0]							

XGA dual input flat panel controller

SAA6713H

REGISTER	ADR	R/W	RESET	D7	D6	D5	D4	D3	D2	D1	D0
OSDT_FGC4B	0EH	W	00H	osd_text_foreground_colour4_blue[7:0]							
OSDT_FGC5R	0FH	W	00H	osd_text_foreground_colour5_red[7:0]							
OSDT_FGC5G	10H	W	FFH	osd_text_foreground_colour5_green[7:0]							
OSDT_FGC5B	11H	W	FFH	osd_text_foreground_colour5_blue[7:0]							
OSDT_FGC6R	12H	W	FFH	osd_text_foreground_colour6_red[7:0]							
OSDT_FGC6G	13H	W	00H	osd_text_foreground_colour6_green[7:0]							
OSDT_FGC6B	14H	W	FFH	osd_text_foreground_colour6_blue[7:0]							
OSDT_FGC7R	15H	W	FFH	osd_text_foreground_colour7_red[7:0]							
OSDT_FGC7G	16H	W	FFH	osd_text_foreground_colour7_green[7:0]							
OSDT_FGC7B	17H	W	FFH	osd_text_foreground_colour7_blue[7:0]							
OSDT_BGC0R	18H	W	00H	osd_text_background_colour0_red[7:0]							
OSDT_BGC0G	19H	W	00H	osd_text_background_colour0_green[7:0]							
OSDT_BGC0B	1AH	W	00H	osd_text_background_colour0_blue[7:0]							
OSDT_BGC1R	1BH	W	FFH	osd_text_background_colour1_red[7:0]							
OSDT_BGC1G	1CH	W	00H	osd_text_background_colour1_green[7:0]							
OSDT_BGC1B	1DH	W	00H	osd_text_background_colour1_blue[7:0]							
OSDT_BGC2R	1EH	W	00H	osd_text_background_colour2_red[7:0]							
OSDT_BGC2G	1FH	W	FFH	osd_text_background_colour2_green[7:0]							
OSDT_BGC2B	20H	W	00H	osd_text_background_colour2_blue[7:0]							
OSDT_BGC3R	21H	W	00H	osd_text_background_colour3_red[7:0]							
OSDT_BGC3G	22H	W	00H	osd_text_background_colour3_green[7:0]							
OSDT_BGC3B	23H	W	FFH	osd_text_background_colour3_blue[7:0]							
OSDT_BGC4R	24H	W	FFH	osd_text_background_colour4_red[7:0]							
OSDT_BGC4G	25H	W	FFH	osd_text_background_colour4_green[7:0]							
OSDT_BGC4B	26H	W	00H	osd_text_background_colour4_blue[7:0]							
OSDT_BGC5R	27H	W	00H	osd_text_background_colour5_red[7:0]							
OSDT_BGC5G	28H	W	FFH	osd_text_background_colour5_green[7:0]							
OSDT_BGC5B	29H	W	FFH	osd_text_background_colour5_blue[7:0]							
OSDT_BGC6R	2AH	W	FFH	osd_text_background_colour6_red[7:0]							
OSDT_BGC6G	2BH	W	00H	osd_text_background_colour6_green[7:0]							
OSDT_BGC6B	2CH	W	FFH	osd_text_background_colour6_blue[7:0]							
OSDT_BGC7R	2DH	W	FFH	osd_text_background_colour7_red[7:0]							

XGA dual input flat panel controller

SAA6713H

REGISTER	ADR	R/W	RESET	D7	D6	D5	D4	D3	D2	D1	D0
OSDT_BGC7G	2EH	W	FFH	osd_text_background_colour7_green[7:0]							
OSDT_BGC7B	2FH	W	FFH	osd_text_background_colour7_blue_7[7:0]							
OSDT_P0C0R	30H	W	00H	osd_palette0_colour0_red[7:0]							
OSDT_P0C0G	31H	W	00H	osd_palette0_colour0_green[7:0]							
OSDT_P0C0B	32H	W	00H	osd_palette0_colour0_blue[7:0]							
OSDT_P0C1R	33H	W	FFH	osd_palette0_colour1_red[7:0]							
OSDT_P0C1G	34H	W	00H	osd_palette0_colour1_green[7:0]							
OSDT_P0C1B	35H	W	00H	osd_palette0_colour1_blue[7:0]							
OSDT_P0C2R	36H	W	00H	osd_palette0_colour2_red[7:0]							
OSDT_P0C2G	37H	W	FFH	osd_palette0_colour2_green[7:0]							
OSDT_P0C2B	38H	W	00H	osd_palette0_colour2_blue[7:0]							
OSDT_P0C3R	39H	W	00H	osd_palette0_colour3_red[7:0]							
OSDT_P0C3G	3AH	W	00H	osd_palette0_colour3_green[7:0]							
OSDT_P0C3B	3BH	W	FFH	osd_palette0_colour3_blue[7:0]							
OSDT_P1C0R	3CH	W	FFH	osd_palette1_colour0_red[7:0]							
OSDT_P1C0G	3DH	W	FFH	osd_palette1_colour0_green[7:0]							
OSDT_P1C0B	3EH	W	00H	osd_palette1_colour0_blue[7:0]							
OSDT_P1C1R	3FH	W	00H	osd_palette1_colour1_red[7:0]							
OSDT_P1C1G	40H	W	FFH	osd_palette1_colour1_green[7:0]							
OSDT_P1C1B	41H	W	FFH	osd_palette1_colour1_blue[7:0]							
OSDT_P1C2R	42H	W	FFH	osd_palette1_colour2_red[7:0]							
OSDT_P1C2G	43H	W	00H	osd_palette1_colour2_green[7:0]							
OSDT_P1C2B	44H	W	FFH	osd_palette1_colour2_blue[7:0]							
OSDT_P1C3R	45H	W	FFH	osd_palette1_colour3_red[7:0]							
OSDT_P1C3G	46H	W	FFH	osd_palette1_colour3_green[7:0]							
OSDT_P1C3B	47H	W	FFH	osd_palette1_colour3_blue[7:0]							
OSDT_P2C0R	48H	W	40H	osd_palette2_colour0_red[7:0]							
OSDT_P2C0G	49H	W	40H	osd_palette2_colour0_green[7:0]							
OSDT_P2C0B	4AH	W	40H	osd_palette2_colour0_blue[7:0]							
OSDT_P2C1R	4BH	W	80H	osd_palette2_colour1_red[7:0]							
OSDT_P2C1G	4CH	W	00H	osd_palette2_colour1_green[7:0]							
OSDT_P2C1B	4DH	W	00H	osd_palette2_colour1_blue[7:0]							

XGA dual input flat panel controller

SAA6713H

REGISTER	ADR	R/W	RESET	D7	D6	D5	D4	D3	D2	D1	D0
OSDT_P2C2R	4EH	W	00H	osd_palette2_colour2_red[7:0]							
OSDT_P2C2G	4FH	W	80H	osd_palette2_colour2_green[7:0]							
OSDT_P2C2B	50H	W	00H	osd_palette2_colour2_blue[7:0]							
OSDT_P2C3R	51H	W	00H	osd_palette2_colour3_red[7:0]							
OSDT_P2C3G	52H	W	00H	osd_palette2_colour3_green[7:0]							
OSDT_P2C3B	53H	W	80H	osd_palette2_colour3_blue[7:0]							
OSDT_P3C0R	54H	W	80H	osd_palette3_colour0_red[7:0]							
OSDT_P3C0G	55H	W	80H	osd_palette3_colour0_green[7:0]							
OSDT_P3C0B	56H	W	00H	osd_palette3_colour0_blue[7:0]							
OSDT_P3C1R	57H	W	00H	osd_palette3_colour1_red[7:0]							
OSDT_P3C1G	58H	W	80H	osd_palette3_colour1_green[7:0]							
OSDT_P3C1B	59H	W	80H	osd_palette3_colour1_blue[7:0]							
OSDT_P3C2R	5AH	W	80H	osd_palette3_colour2_red[7:0]							
OSDT_P3C2G	5BH	W	00H	osd_palette3_colour2_green[7:0]							
OSDT_P3C2B	5CH	W	80H	osd_palette3_colour2_blue[7:0]							
OSDT_P3C3R	5DH	W	80H	osd_palette3_colour3_red[7:0]							
OSDT_P3C3G	5EH	W	80H	osd_palette3_colour3_green[7:0]							
OSDT_P3C3B	5FH	W	80H	osd_palette3_colour3_blue[7:0]							
OSDT_P4C0R	60H	W	00H	osd_palette4_colour0_red[7:0]							
OSDT_P4C0G	61H	W	00H	osd_palette4_colour0_green[7:0]							
OSDT_P4C0B	62H	W	00H	osd_palette4_colour0_blue[7:0]							
OSDT_P4C1R	63H	W	3FH	osd_palette4_colour1_red[7:0]							
OSDT_P4C1G	64H	W	3FH	osd_palette4_colour1_green[7:0]							
OSDT_P4C1B	65H	W	3FH	osd_palette4_colour1_blue[7:0]							
OSDT_P4C2R	66H	W	7FH	osd_palette4_colour2_red[7:0]							
OSDT_P4C2G	67H	W	7FH	osd_palette4_colour2_green[7:0]							
OSDT_P4C2B	68H	W	7FH	osd_palette4_colour2_blue[7:0]							
OSDT_P4C3R	69H	W	FFH	osd_palette4_colour3_red[7:0]							
OSDT_P4C3G	6AH	W	FFH	osd_palette4_colour3_green[7:0]							
OSDT_P4C3B	6BH	W	FFH	osd_palette4_colour3_blue[7:0]							
OSDT_P5C0R	6CH	W	00H	osd_palette5_colour0_red[7:0]							
OSDT_P5C0G	6DH	W	00H	osd_palette5_colour0_green[7:0]							

XGA dual input flat panel controller

SAA6713H

REGISTER	ADR	R/W	RESET	D7	D6	D5	D4	D3	D2	D1	D0
OSDT_P5C0B	6EH	W	00H	osd_palette5_colour0_blue[7:0]							
OSDT_P5C1R	6FH	W	7FH	osd_palette5_colour1_red[7:0]							
OSDT_P5C1G	70H	W	00H	osd_palette5_colour1_green[7:0]							
OSDT_P5C1B	71H	W	00H	osd_palette5_colour1_blue[7:0]							
OSDT_P5C2R	72H	W	00H	osd_palette5_colour2_red[7:0]							
OSDT_P5C2G	73H	W	7FH	osd_palette5_colour2_green[7:0]							
OSDT_P5C2B	74H	W	00H	osd_palette5_colour2_blue[7:0]							
OSDT_P5C3R	75H	W	00H	osd_palette5_colour3_red[7:0]							
OSDT_P5C3G	76H	W	00H	osd_palette5_colour3_green[7:0]							
OSDT_P5C3B	77H	W	7FH	osd_palette5_colour3_blue[7:0]							
OSDT_P6C0R	78H	W	C0H	osd_palette6_colour0_red[7:0]							
OSDT_P6C0G	79H	W	C0H	osd_palette6_colour0_green[7:0]							
OSDT_P6C0B	7AH	W	C0H	osd_palette6_colour0_blue[7:0]							
OSDT_P6C1R	7BH	W	80H	osd_palette6_colour1_red[7:0]							
OSDT_P6C1G	7CH	W	80H	osd_palette6_colour1_green[7:0]							
OSDT_P6C1B	7DH	W	80H	osd_palette6_colour1_blue[7:0]							
OSDT_P6C2R	7EH	W	E0H	osd_palette6_colour2_red[7:0]							
OSDT_P6C2G	7FH	W	E0H	osd_palette6_colour2_green[7:0]							
OSDT_P6C2B	80H	W	E0H	osd_palette6_colour2_blue[7:0]							
OSDT_P6C3R	81H	W	00H	osd_palette6_colour3_red[7:0]							
OSDT_P6C3G	82H	W	00H	osd_palette6_colour3_green[7:0]							
OSDT_P6C3B	83H	W	00H	osd_palette6_colour3_blue[7:0]							
OSDT_P7C0R	84H	W	C0H	osd_palette7_colour0_red[7:0]							
OSDT_P7C0G	85H	W	C0H	osd_palette7_colour0_green[7:0]							
OSDT_P7C0B	86H	W	C0H	osd_palette7_colour0_blue[7:0]							
OSDT_P7C1R	87H	W	E0H	osd_palette7_colour1_red[7:0]							
OSDT_P7C1G	88H	W	E0H	osd_palette7_colour1_green[7:0]							
OSDT_P7C1B	89H	W	E0H	osd_palette7_colour1_blue[7:0]							
OSDT_P7C2R	8AH	W	80H	osd_palette7_colour2_red[7:0]							
OSDT_P7C2G	8BH	W	80H	osd_palette7_colour2_green[7:0]							
OSDT_P7C2B	8CH	W	80H	osd_palette7_colour2_blue[7:0]							
OSDT_P7C3R	8DH	W	00H	osd_palette7_colour3_red[7:0]							

XGA dual input flat panel controller

SAA6713H

REGISTER	ADR	R/W	RESET	D7	D6	D5	D4	D3	D2	D1	D0
OSDT_P7C3G	8EH	W	00H	osd_palette7_colour3_green[7:0]							
OSDT_P7C3B	8FH	W	00H	osd_palette7_colour3_blue[7:0]							
OSDT_SCR	90H	W	00H	osd_shadow_colour_red[7:0]							
OSDT_SCG	91H	W	00H	osd_shadow_colour_green[7:0]							
OSDT_SCB	92H	W	00H	osd_shadow_colour_blue[7:0]							
OSD BITMAP COLOURS: 93H TO C2											
OSDB_C0R	93H	W	00H	osd_bitmap_colour0_red[7:0]							
OSDB_C0G	94H	W	00H	osd_bitmap_colour0_green[7:0]							
OSDB_C0B	95H	W	00H	osd_bitmap_colour0_blue[7:0]							
OSDB_C1R	96H	W	FFH	osd_bitmap_colour1_red[7:0]							
OSDB_C1G	97H	W	00H	osd_bitmap_colour1_green[7:0]							
OSDB_C1B	98H	W	00H	osd_bitmap_colour1_blue[7:0]							
OSDB_C2R	99H	W	00H	osd_bitmap_colour2_red[7:0]							
OSDB_C2G	9AH	W	FFH	osd_bitmap_colour2_green[7:0]							
OSDB_C2B	9BH	W	00H	osd_bitmap_colour2_blue[7:0]							
OSDB_C3R	9CH	W	00H	osd_bitmap_colour3_red[7:0]							
OSDB_C3G	9DH	W	00H	osd_bitmap_colour3_green[7:0]							
OSDB_C3B	9EH	W	FFH	osd_bitmap_colour3_blue[7:0]							
OSDB_C4R	9FH	W	FFH	osd_bitmap_colour4_red[7:0]							
OSDB_C4G	A0H	W	FFH	osd_bitmap_colour4_green[7:0]							
OSDB_C4B	A1H	W	00H	osd_bitmap_colour4_blue[7:0]							
OSDB_C5R	A2H	W	00H	osd_bitmap_colour5_red[7:0]							
OSDB_C5G	A3H	W	FFH	osd_bitmap_colour5_green[7:0]							
OSDB_C5B	A4H	W	FFH	osd_bitmap_colour5_blue[7:0]							
OSDB_C6R	A5H	W	FFH	osd_bitmap_colour6_red[7:0]							
OSDB_C6G	A6H	W	00H	osd_bitmap_colour6_green[7:0]							
OSDB_C6B	A7H	W	FFH	osd_bitmap_colour6_blue[7:0]							
OSDB_C7R	A8H	W	FFH	osd_bitmap_colour7_red[7:0]							
OSDB_C7G	A9H	W	FFH	osd_bitmap_colour7_green[7:0]							
OSDB_C7B	AAH	W	FFH	osd_bitmap_colour7_blue[7:0]							
OSDB_C8R	ABH	W	40H	osd_bitmap_colour8_red[7:0]							
OSDB_C8G	ACH	W	40H	osd_bitmap_colour8_green[7:0]							

XGA dual input flat panel controller

SAA6713H

REGISTER	ADR	R/W	RESET	D7	D6	D5	D4	D3	D2	D1	D0
OSDB_C8B	ADH	W	40H	osd_bitmap_colour8_blue[7:0]							
OSDB_C9R	AEH	W	80H	osd_bitmap_colour9_red[7:0]							
OSDB_C9G	AFH	W	00H	osd_bitmap_colour9_green[7:0]							
OSDB_C9B	B0H	W	00H	osd_bitmap_colour9_blue[7:0]							
OSDB_C10R	B1H	W	00H	osd_bitmap_colour10_red[7:0]							
OSDB_C10G	B2H	W	80H	osd_bitmap_colour10_green[7:0]							
OSDB_C10B	B3H	W	00H	osd_bitmap_colour10_blue[7:0]							
OSDB_C11R	B4H	W	00H	osd_bitmap_colour11_red[7:0]							
OSDB_C11G	B5H	W	00H	osd_bitmap_colour11_green[7:0]							
OSDB_C11B	B6H	W	80H	osd_bitmap_colour11_blue[7:0]							
OSDB_C12R	B7H	W	80H	osd_bitmap_colour12_red[7:0]							
OSDB_C12G	B8H	W	80H	osd_bitmap_colour12_green[7:0]							
OSDB_C12B	B9H	W	00H	osd_bitmap_colour12_blue[7:0]							
OSDB_C13R	BAH	W	00H	osd_bitmap_colour13_red[7:0]							
OSDB_C13G	BBH	W	80H	osd_bitmap_colour13_green[7:0]							
OSDB_C13B	BCH	W	80H	osd_bitmap_colour13_blue[7:0]							
OSDB_C14R	BDH	W	80H	osd_bitmap_colour14_red[7:0]							
OSDB_C14G	BEH	W	00H	osd_bitmap_colour14_green[7:0]							
OSDB_C14B	BFH	W	80H	osd_bitmap_colour14_blue[7:0]							
OSDB_C15R	C0H	W	80H	osd_bitmap_colour15_red[7:0]							
OSDB_C15G	C1H	W	80H	osd_bitmap_colour15_green[7:0]							
OSDB_C15B	C2H	W	80H	osd_bitmap_colour15_blue[7:0]							
OSD POINTER COLOURS: C3H TO CEH											
OSDP_C0R	C3H	W	00H	osd_pointer_colour0_red[7:0]							
OSDP_C0G	C4H	W	00H	osd_pointer_colour0_green[7:0]							
OSDP_C0B	C5H	W	00H	osd_pointer_colour0_blue[7:0]							
OSDP_C1R	C6H	W	FFH	osd_pointer_colour1_red[7:0]							
OSDP_C1G	C7H	W	00H	osd_pointer_colour1_green[7:0]							
OSDP_C1B	C8H	W	00H	osd_pointer_colour1_blue[7:0]							
OSDP_C2R	C9H	W	00H	osd_pointer_colour2_red[7:0]							
OSDP_C2G	CAH	W	FFH	osd_pointer_colour2_green[7:0]							
OSDP_C2B	CBH	W	00H	osd_pointer_colour2_blue[7:0]							

XGA dual input flat panel controller

SAA6713H

REGISTER	ADR	R/W	RESET	D7	D6	D5	D4	D3	D2	D1	D0
OSDP_C3R	CCH	W	00H	osd_pointer_colour3_red[7:0]							
OSDP_C3G	CDH	W	00H	osd_pointer_colour3_green[7:0]							
OSDP_C3B	CEH	W	FFH	osd_pointer_colour3_blue[7:0]							

Note

1. X = don't care.

Table 16 Colour look-up table and dithering configuration registers (page 10)

REGISTER	ADR	R/W	RESET	D7	D6	D5	D4	D3	D2	D1	D0
Colour look-up table: 00H to 03H											
CL_CTRL	00H	W	—00 0000			write_	quick_prog	red_prog	green_prog	blue_prog	cc_on
CL_INDEX	01H	W	00H	colour_index[7:0]							
CL_VALUE_HI	02H	W	— — — — 00							colour_value[9:8]	
CL_VALUE_LO	03H	W	00H	colour_value[7:0]							
Temporal dithering: 80H to 83H											
DT_CTRL	80H	W	1 — — 1 — —	dither_				dither_out_			
				bypass				bits			
DT_COLMAP	81H	W	11 — — — —	dither_colmap[1:0]							
DT_MODE	82H	W	00 — — 100	dither_	dither_				dither_idx_ofs_reg[2:0]		
				rand_mode	rand_mono						
DT_NOISE	83H	W	0 — — — 0 —	dither_						dither_	
				add_noise						noise_mag	

Table 17 Output interface configuration registers (page 11); note 1

REGISTER	ADR	R/W	RESET	D7	D6	D5	D4	D3	D2	D1	D0
Output interface: 01H to 39H, 40H to 4AH, 51H to 59H, 61H to 6AH, 71H to 7AH, 81H to 8AH, 91H to 9AH, A1H to AAH, B1H to BAH, C1H to CAH, D1H to DEH, E1H to EEH and F0H to F7H											
OI_WX_HI	01H	W	— — — — 000						wait_column[10:8]		
OI_WX_LO	02H	W	02H	wait_column[7:0]							
OI_INVA_DEL	03H	W	0000 0000	pin_drv_inva[2:0]				inversion_A_pin_delay[4:0]			
OI_INVB_DEL	04H	W	0000 0000	pin_drv_invb[2:0]				inversion_B_pin_delay[4:0]			
OI_P SX_HI	05H	W	— — — — 000						picture_start_x[10:8]		

XGA dual input flat panel controller

SAA6713H

REGISTER	ADR	R/W	RESET	D7	D6	D5	D4	D3	D2	D1	D0
OI_P SX_LO	06H	W	09H	picture_start_x[7:0]							
OI_P SY_HI	07H	W	-----000						picture_start_y[10:8]		
OI_P SY_LO	08H	W	07H	picture_start_y[7:0]							
OI_A SX_HI	09H	W	-----000						active_start_x[10:8]		
OI_A SX_LO	0AH	W	07H	active_start_x[7:0]							
OI_A SY_HI	0BH	W	-----000						active_start_y[10:8]		
OI_A SY_LO	0CH	W	05H	active_start_y[7:0]							
OI_P EX_HI	0DH	W	-----000						picture_end_x[10:8]		
OI_P EX_LO	0EH	W	54H	picture_end_x[7:0]							
OI_P EY_HI	0FH	W	-----000						picture_end_y[10:8]		
OI_P EY_LO	10H	W	3EH	picture_end_y[7:0]							
OI_A EX_HI	11H	W	-----000						active_end_x[10:8]		
OI_A EX_LO	12H	W	56H	active_end_x[7:0]							
OI_A EY_HI	13H	W	-----000						active_end_y[10:8]		
OI_A EY_LO	14H	W	40H	active_end_y[7:0]							
OI_F Y_HI	15H	W	-----000						last_line[10:8]		
OI_F Y_LO	16H	W	46H	last_line[7:0]							
OI_F X_HI	17H	W	-----000						blank_line_length[10:8]		
OI_F X_LO	18H	W	5EH	blank_line_length[7:0]							
OI_A LX_HI	19H	W	-----000						active_line_length[10:8]		
OI_A LX_LO	1AH	W	5CH	active_line_length[7:0]							
OI_P X_HI	1BH	W	-----000						picture_line_length[10:8]		
OI_P X_LO	1CH	W	5AH	picture_line_length[7:0]							
OI_WM	1DH	W	-----01						wait_mode[1:0]		
OI_B0R	1EH	W	---00011			MSB_align	swap	inv	port_A_conf[2:0]		
OI_B0G	1FH	W	---00001			MSB_align	swap	inv	port_B_conf[2:0]		
OI_B0B	20H	W	---00000			MSB_align	swap	inv	port_C_conf[2:0]		
OI_B1R	21H	W	---00111			MSB_align	swap	inv	port_D_conf[2:0]		
OI_B1G	22H	W	---00101			MSB_align	swap	inv	port_E_conf[2:0]		
OI_B1B	23H	W	---00100			MSB_align	swap	inv	port_F_conf[2:0]		
OI_PAD	24H	W	0000 0000	pin_drv_pa[2:0]				pin_delay[4:0]			
OI_PBD	25H	W	0000 0000	pin_drv_pb[2:0]				pin_delay[4:0]			

XGA dual input flat panel controller

SAA6713H

REGISTER	ADR	R/W	RESET	D7	D6	D5	D4	D3	D2	D1	D0
OI_PCD	26H	W	0000 0000	pin_drv_pc[2:0]			pin_delay[4:0]				
OI_PDD	27H	W	0000 0000	pin_drv_pd[2:0]			pin_delay[4:0]				
OI_PED	28H	W	0000 0000	pin_drv_pe[2:0]			pin_delay[4:0]				
OI_PFD	29H	W	0000 0000	pin_drv_pf[2:0]			pin_delay[4:0]				
OI_CTRL0	2AH	W	-10- 0100		ivsl1	ivsl0		0	OI_enable	power_down	blank_mode
OI_CTRL1	2BH	W	-000 0000		PCLK_pin_delay[4:0]				double_pixel	PCLK_pol	
OI_BOC_R	2CH	W	00H	border_colour_red[7:0]							
OI_BOC_G	2DH	W	FFH	border_colour_green[7:0]							
OI_BOC_B	2EH	W	00H	border_colour_blue[7:0]							
OI_BLC_R	2FH	W	FFH	blank_colour_red[7:0]							
OI_BLC_G	30H	W	00H	blank_colour_green[7:0]							
OI_BLC_B	31H	W	00H	blank_colour_blue[7:0]							
OI_G0ASX_HI	32H	W	---- -000						point1_x[10:8]		
OI_G0ASX_LO	33H	W	01H	point1_x[7:0]							
OI_G0ASY_HI	34H	W	---- -000						point1_y[10:8]		
OI_G0ASY_LO	35H	W	01H	point1_y[7:0]							
OI_G0AEX_HI	36H	W	---- -000						point2_x[10:8]		
OI_G0AEX_LO	37H	W	25H	point2_x[7:0]							
OI_G0AEY_HI	38H	W	---- -000						point2_y[10:8]		
OI_G0AEY_LO	39H	W	02H	point2_y[7:0]							
OI_G0AC	40H	W	---- 0100					pol_CSG 0A+0B	frame/line	point2_tog/reset	point1_tog/set
OI_G0BSX_HI	41H	W	---- -000						point1_x[10:8]		
OI_G0BSX_LO	42H	W	00H	point1_x[7:0]							
OI_G0BSY_HI	43H	W	---- -000						point1_y[10:8]		
OI_G0BSY_LO	44H	W	00H	point1_y[7:0]							
OI_G0BEX_HI	45H	W	---- -000						point2_x[10:8]		
OI_G0BEX_LO	46H	W	00H	point2_x[7:0]							
OI_G0BEY_HI	47H	W	---- -000						point2_y[10:8]		
OI_G0BEY_LO	48H	W	00H	point2_y[7:0]							

XGA dual input flat panel controller

SAA6713H

REGISTER	ADR	R/W	RESET	D7	D6	D5	D4	D3	D2	D1	D0
OI_G0BC	49H	W	---- -000						frame/line	point2_ tog/reset	point1_ tog/set
OI_G0BD	4AH	W	X000 0000	pin_drv_csg0[2:0]			pin_delay[4:0]				
OI_G1ASX_HI	51H	W	---- -000						point1_x[10:8]		
OI_G1ASX_LO	52H	W	03H	point1_x[7:0]							
OI_G1ASY_HI	53H	W	---- -000						point1_y[10:8]		
OI_G1ASY_LO	54H	W	01H	point1_y[7:0]							
OI_G1AEX_HI	55H	W	---- -000						point2_x[10:8]		
OI_G1AEX_LO	56H	W	05H	point2_x[7:0]							
OI_G1AEY_HI	57H	W	---- -000						point2_y[10:8]		
OI_G1AEY_LO	58H	W	46H	point2_y[7:0]							
OI_G1AC	59H	W	---- 0000					pol_CSG 1A+1B	frame/line	point2_ tog/reset	point1_ tog/set
OI_G1BSX_HI	61H	W	---- -000						point1_x[10:8]		
OI_G1BSX_LO	62H	W	00H	point1_x[7:0]							
OI_G1BSY_HI	63H	W	---- -000						point1_y[10:8]		
OI_G1BSY_LO	64H	W	00H	point1_y[7:0]							
OI_G1BEX_HI	65H	W	---- -000						point2_x[10:8]		
OI_G1BEX_LO	66H	W	00H	point2_x[7:0]							
OI_G1BEY_HI	67H	W	---- -000						point2_y[10:8]		
OI_G1BEY_LO	68H	W	00H	point2_y[7:0]							
OI_G1BC	69H	W	---- -000						frame/line	point2_ tog/reset	point1_ tog/set
OI_G1BD	6AH	W	X000 0000	pin_drv_csg1[2:0]			pin_delay[4:0]				
OI_G2SX_HI	71H	W	---- -000						point1_x[10:8]		
OI_G2SX_LO	72H	W	06H	point1_x[7:0]							
OI_G2SY_HI	73H	W	---- -000						point1_y[10:8]		
OI_G2SY_LO	74H	W	05H	point1_y[7:0]							
OI_G2EX_HI	75H	W	---- -000						point2_x[10:8]		
OI_G2EX_LO	76H	W	56H	point2_x[7:0]							
OI_G2EY_HI	77H	W	---- -000						point2_y[10:8]		
OI_G2EY_LO	78H	W	40H	point2_y[7:0]							

XGA dual input flat panel controller

SAA6713H

REGISTER	ADR	R/W	RESET	D7	D6	D5	D4	D3	D2	D1	D0
OI_G2C	79H	W	—0 1000				invol_CSG3	pol	frame/line	point2_tog/reset	point1_tog/set
OI_G2D	7AH	W	X000 0000	pin_drv_csg2[2:0]			pin_delay[4:0]				
OI_G3SX_HI	81H	W	— — — — 000						point1_x[10:8]		
OI_G3SX_LO	82H	W	00H	point1_x[7:0]							
OI_G3SY_HI	83H	W	— — — — 000						point1_y[10:8]		
OI_G3SY_LO	84H	W	00H	point1_y[7:0]							
OI_G3EX_HI	85H	W	— — — — 000						point2_x[10:8]		
OI_G3EX_LO	86H	W	00H	point2_x[7:0]							
OI_G3EY_HI	87H	W	— — — — 000						point2_y[10:8]		
OI_G3EY_LO	88H	W	00H	point2_y[7:0]							
OI_G3C	89H	W	— — — — 0000					pol	frame/line	point2_tog/reset	point1_tog/set
OI_G3D	8AH	W	X000 0000	pin_drv_csg3[2:0]			pin_delay[4:0]				
OI_G4SX_HI	91H	W	— — — — 000						point1_x[10:8]		
OI_G4SX_LO	92H	W	00H	point1_x[7:0]							
OI_G4SY_HI	93H	W	— — — — 000						point1_y[10:8]		
OI_G4SY_LO	94H	W	00H	point1_y[7:0]							
OI_G4EX_HI	95H	W	— — — — 000						point2_x[10:8]		
OI_G4EX_LO	96H	W	00H	point2_x[7:0]							
OI_G4EY_HI	97H	W	— — — — 000						point2_y[10:8]		
OI_G4EY_LO	98H	W	00H	point2_y[7:0]							
OI_G4C	99H	W	—0 0000				invol_CSG5	pol	frame/line	point2_tog/reset	point1_tog/set
OI_G4D	9AH	W	X000 0000	pin_drv_csg4[2:0]			pin_delay[4:0]				
OI_G5SX_HI	A1H	W	— — — — 000						point1_x[10:8]		
OI_G5SX_LO	A2H	W	00H	point1_x[7:0]							
OI_G5SY_HI	A3H	W	— — — — 000						point1_y[10:8]		
OI_G5SY_LO	A4H	W	00H	point1_y[7:0]							
OI_G5EX_HI	A5H	W	— — — — 000						point2_x[10:8]		
OI_G5EX_LO	A6H	W	00H	point2_x[7:0]							
OI_G5EY_HI	A7H	W	— — — — 000						point2_y[10:8]		

XGA dual input flat panel controller

SAA6713H

REGISTER	ADR	R/W	RESET	D7	D6	D5	D4	D3	D2	D1	D0
OI_G5EY_LO	A8H	W	00H	point2_y[7:0]							
OI_G5C	A9H	W	---- 0000					pol	frame/line	point2_tog/reset	point1_tog/set
OI_G5D	AAH	W	X000 0000	pin_drv_csg5[2:0]				pin_delay[4:0]			
OI_G6SX_HI	B1H	W	---- -000						point1_x[10:8]		
OI_G6SX_LO	B2H	W	00H	point1_x[7:0]							
OI_G6SY_HI	B3H	W	---- -000						point1_y[10:8]		
OI_G6SY_LO	B4H	W	00H	point1_y[7:0]							
OI_G6EX_HI	B5H	W	---- -000						point2_x[10:8]		
OI_G6EX_LO	B6H	W	00H	point2_x[7:0]							
OI_G6EY_HI	B7H	W	---- -000						point2_y[10:8]		
OI_G6EY_LO	B8H	W	00H	point2_y[7:0]							
OI_G6C	B9H	W	---- 0000					pol	frame/line	point2_tog/reset	point1_tog/set
OI_G6D	BAH	W	X000 0000	pin_drv_csg6[2:0]				pin_delay[4:0]			
OI_G7SX_HI	C1H	W	---- -000						point1_x[10:8]		
OI_G7SX_LO	C2H	W	00H	point1_x[7:0]							
OI_G7SY_HI	C3H	W	---- -000						point1_y[10:8]		
OI_G7SY_LO	C4H	W	00H	point1_y[7:0]							
OI_G7EX_HI	C5H	W	---- -000						point2_x[10:8]		
OI_G7EX_LO	C6H	W	00H	point2_x[7:0]							
OI_G7EY_HI	C7H	W	---- -000						point2_y[10:8]		
OI_G7EY_LO	C8H	W	00H	point2_y[7:0]							
OI_G7C	C9H	W	---- 0000					pol	frame/line	point2_tog/reset	point1_tog/set
OI_G7D	CAH	W	X000 0000	pin_drv_csg7[2:0]				pin_delay[4:0]			
OI_G8SX_HI	D1H	W	---- -000						point1_x[10:8]		
OI_G8SX_LO	D2H	W	00H	point1_x[7:0]							
OI_G8SY_HI	D3H	W	---- -000						point1_y[10:8]		
OI_G8SY_LO	D4H	W	00H	point1_y[7:0]							
OI_G8EX_HI	D5H	W	---- -000						point2_x[10:8]		
OI_G8EX_LO	D6H	W	00H	point2_x[7:0]							

XGA dual input flat panel controller

SAA6713H

REGISTER	ADR	R/W	RESET	D7	D6	D5	D4	D3	D2	D1	D0
OI_G8EY_HI	D7H	W	---- -000						point2_y[10:8]		
OI_G8EY_LO	D8H	W	00H	point2_y[7:0]							
OI_G8C	D9H	W	0000 0000	skip_mode	point3_toggle	point3_on/off	point3_frm/line	pol	frame/line	point2_tog/reset	point1_tog/set
OI_G8D	DAH	W	X000 0000	pin_drv_csg8[2:0]			pin_delay[4:0]				
OI_G8SPX_HI	DBH	W	---- -000						point3_x[10:8]		
OI_G8SPX_LO	DCH	W	00H	point3_x[7:0]							
OI_G8SPY_HI	DDH	W	---- -000						point3_y[10:8]		
OI_G8SPY_LO	DEH	W	00H	point3_y[7:0]							
OI_G9SX_HI	E1H	W	---- -000						point1_x[10:8]		
OI_G9SX_LO	E2H	W	00H	point1_x[7:0]							
OI_G9SY_HI	E3H	W	---- -000						point1_y[10:8]		
OI_G9SY_LO	E4H	W	00H	point1_y[7:0]							
OI_G9EX_HI	E5H	W	---- -000						point2_x[10:8]		
OI_G9EX_LO	E6H	W	00H	point2_x[7:0]							
OI_G9EY_HI	E7H	W	---- -000						point2_y[10:8]		
OI_G9EY_LO	E8H	W	00H	point2_y[7:0]							
OI_G9C	E9H	W	0000 0000	skip_mode	point3_toggle	point3_on/off	point3_frm/line	pol	frame/line	point2_tog/reset	point1_tog/set
OI_G9D	EAH	W	X000 0000	pin_drv_csg9[2:0]			pin_delay[4:0]				
OI_G9SPX_HI	EBH	W	---- -000						point3_x[10:8]		
OI_G9SPX_LO	ECH	W	00H	point3_x[7:0]							
OI_G9SPY_HI	EDH	W	---- -000						point3_y[10:8]		
OI_G9SPY_LO	EEH	W	00H	point3_y[7:0]							
OI_PWM0	F0H	W	00H	PWM[7:0]							
OI_PWM1	F1H	W	—X X000				PWM_HS_sync	PWM_pol	PWM_DIV[2:0]		
OI_FCR	F2H	W	00H	frame_col[23:16]							
OI_FCG	F3H	W	00H	frame_col[15:8]							
OI_FCB	F4H	W	FFH	frame_col[7:0]							
OI_FC_EN	F5H	W	---- --0								enable_frame_generator

XGA dual input flat panel controller

SAA6713H

REGISTER	ADR	R/W	RESET	D7	D6	D5	D4	D3	D2	D1	D0
OI_PWMD	F6H	W	000— ———	pin_drv_pwm[2:0]							
OI_WC	F6H	R	00H	wait_count[7:0]							
OI_PCLKD	F7H	W	0000 00—	pin_drv_pclk[2:0]			pin_drv_outen[2:0]				

Note

1. X = don't care.

XGA dual input flat panel controller

SAA6713H

7.2 Device ID

The readable parameter `device_id` contains the IC version code. The current version returns the code 131CH.

7.3 Initialization

The external Power-on reset is active LOW and applied to pin `RST`.

Front-end, back-end and the output interface can be switched into the reset state individually by the I²C-bus programming using `reset_fclk`, `reset_bclk`, `reset_oif` and `reset_dvickl` at register `GC_RESET` (FCH). Each domain reset is active if the corresponding programming bit is set to logic 1.

7.4 Clock management

All clock management configuration registers are mapped to register page 0.

A block diagram of the clock distribution is given in Fig.5. The clock source for the decoupling FIFO is selected by `fifo_fclk`. If `fifo_fclk` is set to logic 1, the front-end clock is applied to the decoupling FIFO; otherwise the back-end clock is used.

The decoupling FIFO always has to be supplied with the clock signal of the higher clock rate.

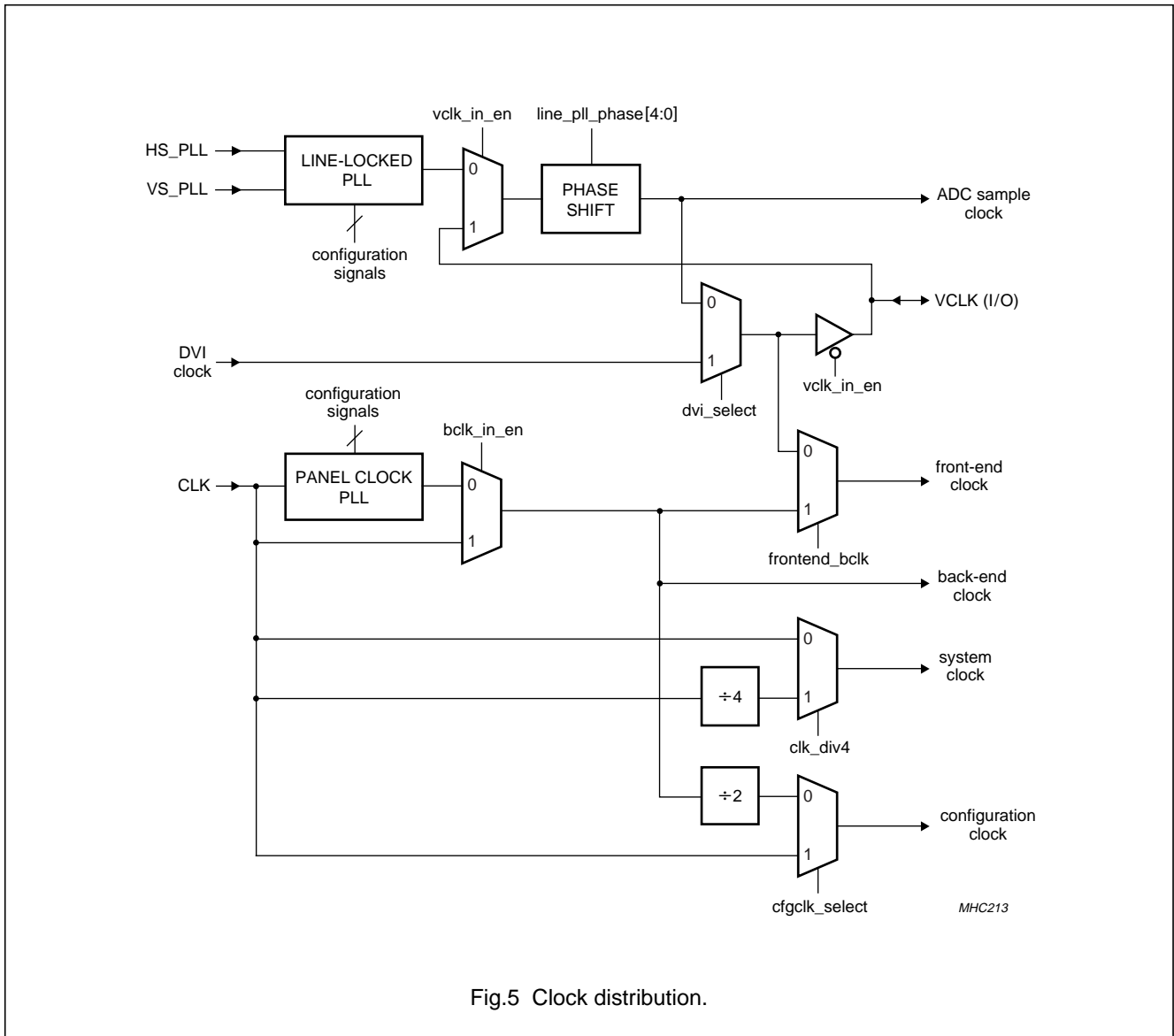


Fig.5 Clock distribution.

XGA dual input flat panel controller

SAA6713H

7.4.1 CLOCK SIGNALS

7.4.1.1 System clock

The system clock is applied to pin CLK and is used to drive the internal control structures and block configuration, and serves as input for the panel clock PLL. The maximum clock rate is 50 MHz.

The system clock is directly taken from pin CLK if `clk_div4` is set to logic 0; otherwise the system clock is derived from the clock signal at pin CLK additionally divided by 4 as shown in Table 18.

Table 18 System clock switching modes

clk_div4	SYSTEM CLOCK	DESCRIPTION
0	CLK	direct input
1	$\frac{1}{4}$ CLK	divided by 4

7.4.1.2 Back-end clock

The back-end clock is the pixel clock used in data processing behind the decoupling FIFO. Possible clock rates lie between 5 and 100 MHz in case of single pixel panel output, but it is identical with the panel clock; if using double pixel mode it equals twice the panel clock.

The clock signal is generated by the panel clock PLL based on the system clock if `bclk_in_en` is set to logic 0; otherwise the signal applied externally to pin CLK is used as system clock (see Table 19).

Table 19 Back-end clock switching modes

bclk_in_en	BACK-END CLOCK	DESCRIPTION
1	CLK	external clock
0	PLL clock	internal clock generation

7.4.1.3 Front-end clock

The front-end clock is the pixel clock of the input section and is generated by the line PLL in case of analog RGB input or provided by the DVI data stream in case of DVI input. The front-end clock rate can be up to 110 MHz.

Either the DVI clock or the line PLL generated clock signal (for analog input) is used depending on the selected video source. In both cases pin VCLK is switched as output for the used clock signal.

An externally generated clock signal can also be connected to pin VCLK if `vclk_in_en` is set to logic 1. Alternatively, the back-end clock can be selected as front-end clock, which is particularly needed if the picture generator is used without an external clock source. Front-end clock modes are shown in Table 20.

Table 20 Front-end clock switching modes; note 1

frontend_bclk	dvi_select	vclk_in_en	FRONT-END CLOCK	DESCRIPTION
1	X	X	back-end clock	initialization
0	1	X	DVI clock	DVI input
0	0	1	VCLK	external clock generation
0	0	0	line PLL clock	internal clock generation

Note

1. X = don't care.

7.4.1.4 Configuration clock

The internal configuration clock is driving the configuration parameters section of all modules. It is usually running at half the back-end clock frequency. If somehow the back-end clock is not usable for the configuration, the system clock could be used to drive the configuration clock instead. The selection of the configuration clock source could either be done automatically monitoring the back-end clock or forced manually if this is desired. For power saving issues the configuration clock is powered-down during inactive periods when no data is received or requested via the I²C-bus interface. See Table 21 for configuration clock switching options.

Table 21 Configuration clock switching modes

cfgclk_select	CONFIGURATION CLOCK	DESCRIPTION
0	half back-end clock	application (stable back-end clock)
1	CLK	initialization

XGA dual input flat panel controller

SAA6713H

7.4.2 CLOCK ACTIVATION CONTROL

The clock signals of auto-adjustment, downscaler, upscaler and OSD module are powered-down automatically during inactivity if programming bits `aackl_auto`, `dscclk_auto`, `uscclk_auto` and `osdclk_auto` respectively in register `CD_CLK_AUTO` (11H) are set to logic 1. Otherwise the clock signals are switched on and off according to the state of bits `aackl_on`, `dscclk_on`, `uscclk_on` and `osdclk_on` respectively in register `CD_CLK_EN` (10H).

The general configuration and the OSD configuration clock signal are also powered-down during inactivity unless forced active, when `cfgclk_on` or `osd_cfgclk_on` respectively (`CD_CLK_EN`, 10H) is set to logic 1.

When automatic activation is selected, each clock signal is active during either power-on or the programmable reset of the specific domain and whenever the concerned module is activated.

7.4.3 PLL PROGRAMMING

The SAA6713H contains two PLLs:

- Line-locked PLL generating the sample clock from the `hsync` signal (see Fig.6)
- PLL running on the system clock generating the panel clock (see Fig.7).

The PLL programming registers are mapped to register page 0.

The PLLs are activated by `pll_en` and `line_pll_en` and the back-end clock PLL pre-divider by `pll_pre_div_en` at register `CD_PLL_CTRL` (20H).

Bits `line_pll_vs_pol` and `line_pll_hs_pol` define the polarity of the vertical and horizontal sync inputs. Each bit has to be set to logic 1 in case of positive (active HIGH) polarity of the corresponding sync signal; otherwise to logic 0.

The outputs for the pre-divider, n-divider and m-divider ratios are set accordingly to bits `pll_pre_div`, `pll_m_div`, `pll_n_div`, `line_pll_m_div` and `line_pll_n_div` at registers `CD_PLL_P_HI` to `CD_LPLL_LO` (21H to 26H).

The `pll_n_div` is a programmable divider between 100 to 4096. The relation between `hsync` and `pll_clk` is: $pll_clk = pll_n_div \times hsync$. The frequency of the oscillator should be selected at minimum two times `pll_clk`.

The `pll_m_div` is a programmable divider between '00' = 1, '01' = 2, '10' = 2, '11' = 4 and limits the current controlled oscillator tuning range.

The line PLL clock is finally phase shifted as defined in steps of 11.25 degrees by `line_pll_phase` at register `CD_LPLL_PHA` (27H).

For the auto-adjustment phase distortion measurement register `CD_LPLL_PD` contains an alternative phase value `pd_pll_phase` for the line PLL. Parameter `phase_auto` enables switching between both phase values controlled by the auto-adjustment if set to logic 1, or manual selection by `phase_select`.

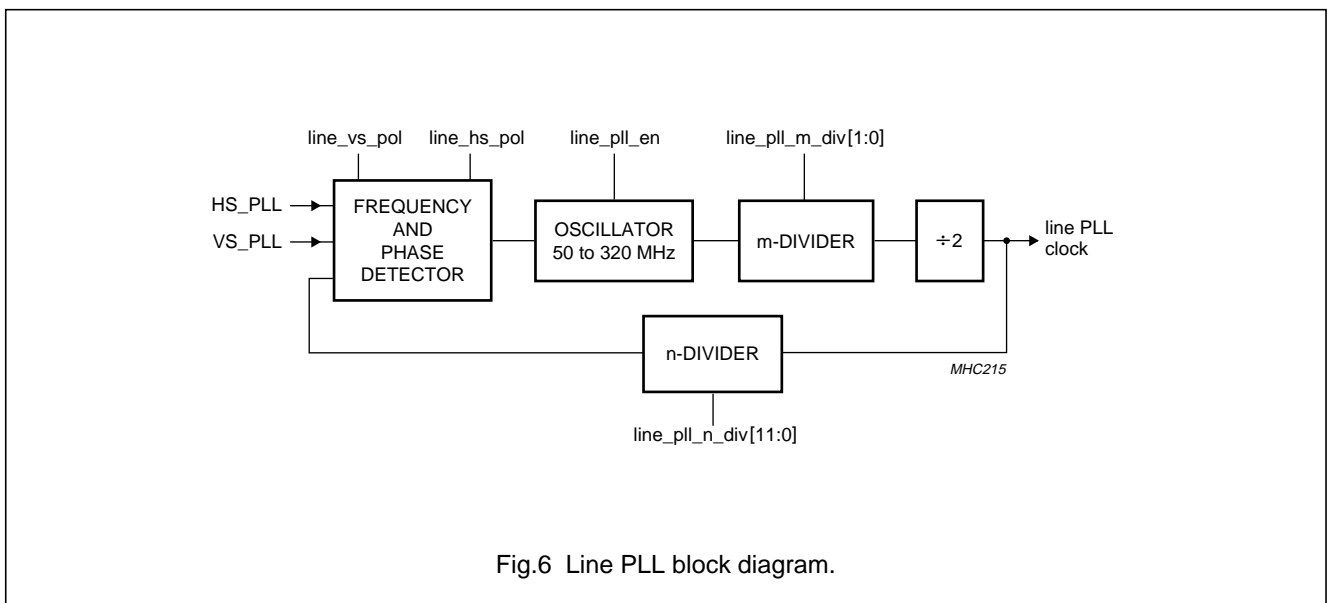


Fig.6 Line PLL block diagram.

XGA dual input flat panel controller

SAA6713H

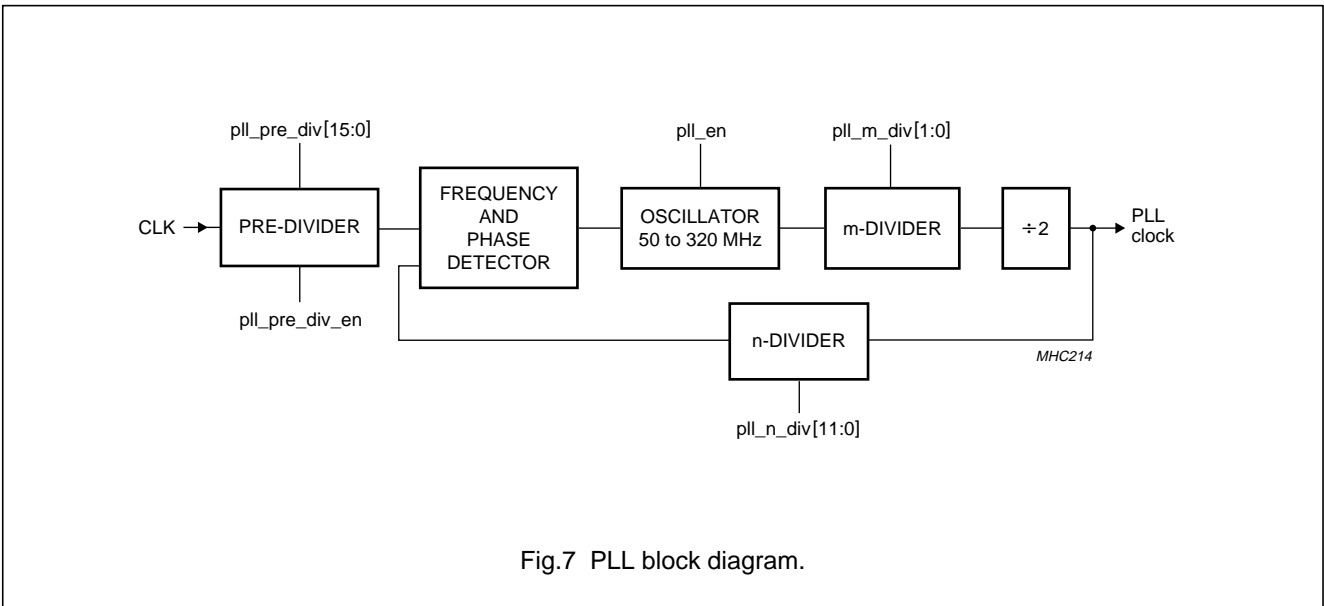


Fig.7 PLL block diagram.

7.5 Synchronization pulse distribution

The line-locked PLL, input interface and mode detection are provided with horizontal and vertical synchronization pulse signals (HSYNC and VSYNC). Signal switching is controlled by configuration registers SYNC_SEL (18H at page 0) and SYNC_DIS (19H at page 0). A composite sync decoder and hsync regeneration can be inserted. Possible selections and the concerned configuration parameters are shown in Fig.8 and described more detailed in the Sections 7.5.1 to 7.5.5.

7.5.1 COMPOSITE SYNC INPUT

The composite sync decoder input is selected by cs_dvi_de and sog_en. This allows to input the separated SOG provided by the sync-on-green slicer, a composite sync applied at input pin HSYNC or data enable DVI_DE decoded from the DVI stream (see Table 22). The sync-on-green slicer has to be enabled by setting sync_on_green_en in register ADC_CTRL (00H at page 1) to logic 1.

To provide a stable hsync during the vsync, the sync-on-green slicer might have to be disabled during the vsync which is performed automatically if sog_vs_disable is set to logic 1; otherwise the sync-on-green slicer is constantly enabled.

The composite sync decoder will regenerate hsync and vsync signals for internal use. Figure 9 shows the composite sync modes that can be used. The maximum number of equalizing pulses (csync-3 and csync-4) may not exceed 30.

Table 22 Composite sync decoder input selection; note 1

cs_dvi_en	sog_en	CSYNC
1	X	DVI_DE
0	1	SOG
0	0	HSYNC

Note

- 1. X = don't care.

XGA dual input flat panel controller

SAA6713H

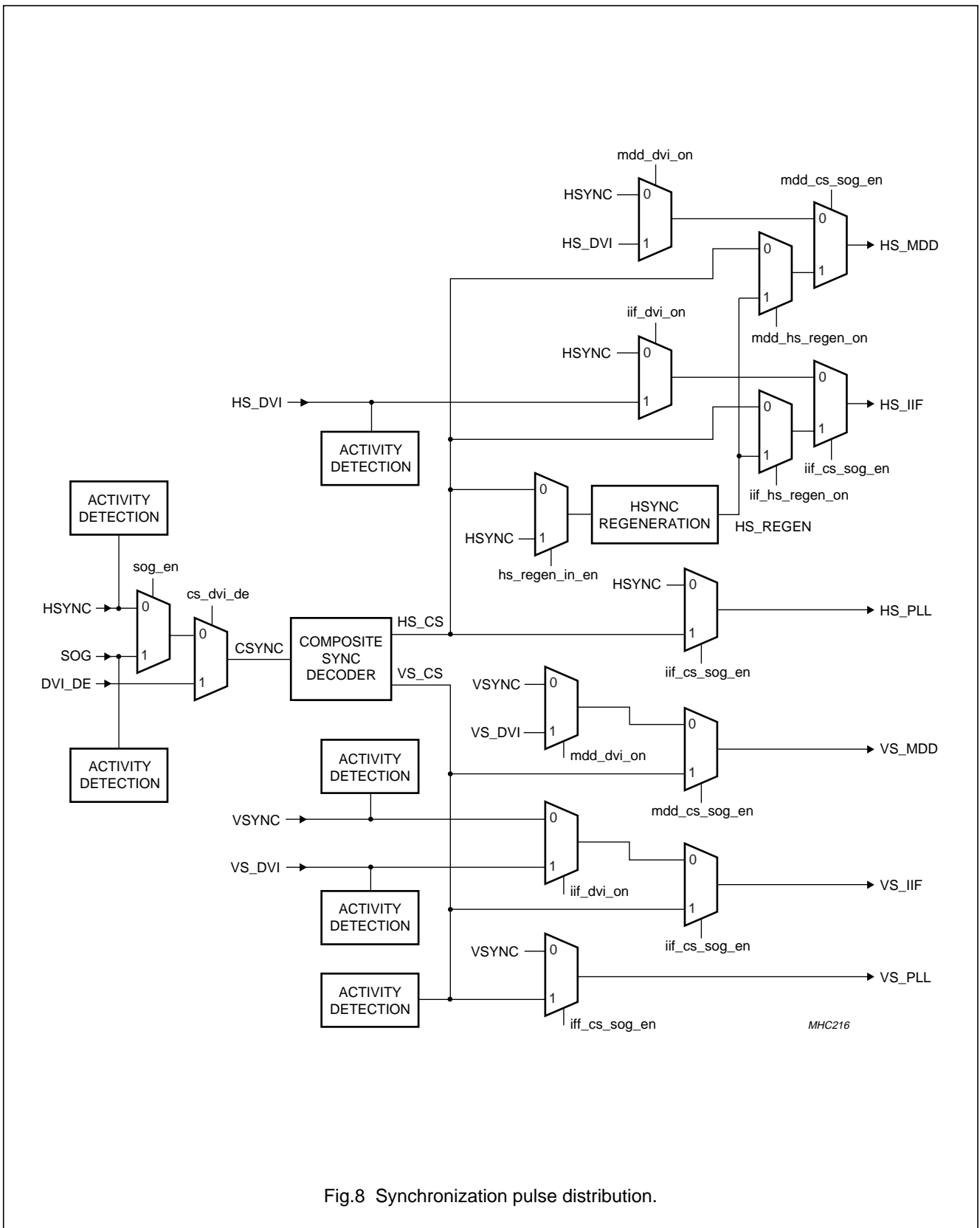


Fig.8 Synchronization pulse distribution.

XGA dual input flat panel controller

SAA6713H

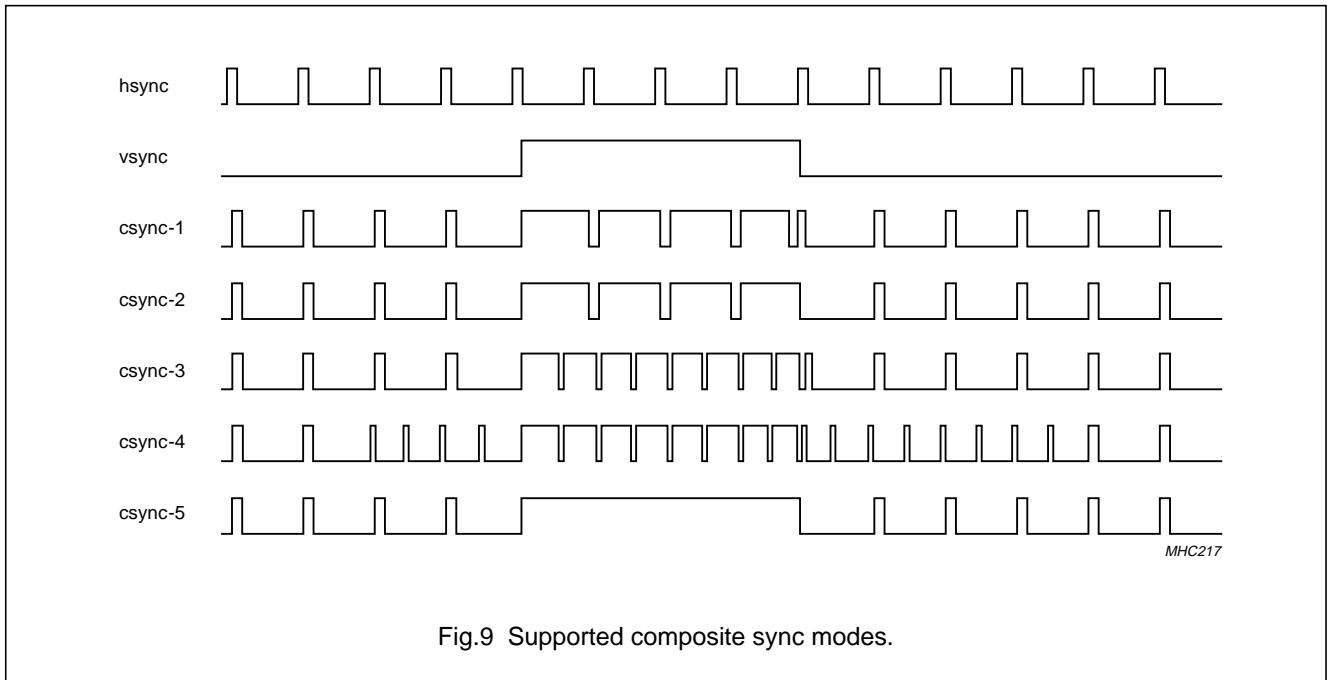


Fig.9 Supported composite sync modes.

7.5.2 HSYNC REGENERATION

The hsync regeneration reproduces a regular hsync, e.g. in case of equalizing pulses or an absent hsync during vsync. The input selection is shown in Table 23.

Table 23 Hsync regeneration input selection

hs_regen_in_en	HS_REGEN
0	HS_CS
1	HSYNC

7.5.3 SELECTION OF SYNCs FOR LINE-LOCKED PLL

The source signals of the line-locked PLL are selected according to Table 24 as either HSYNC and VSYNC from the input pins or the composite sync decoder outputs HS_CS and VS_CS.

Table 24 Line-locked PLL sync selection

iif_cs_sog_en	HS_PLL	VS_PLL
0	HSYNC	VSYNC
1	HS_CS	VS_CS

7.5.4 SELECTION OF SYNCs FOR MODE DETECTION AND INPUT INTERFACE

The output selection for input interface and mode detection allows to choose between the input signals HSYNC and VSYNC, composite sync decoder outputs HS_CS and VS_CS and the syncs decoded from the DVI input HS_DVI and VS_DVI. The regenerated hsync HS_REGEN can be selected as source (see Tables 25 and 26).

Table 25 Mode detection sync selection; note 1

mdd_cs_sog_en	mdd_dvi_on	mdd_hs_regen_on	HS_MDD	VS_MDD
0	0	X	HSYNC	VSYNC
0	1	X	HS_DVI	VS_DVI
1	X	0	HS_CS	VS_CS
1	X	1	HS_REGEN	

Note

- 1. X = don't care.

XGA dual input flat panel controller

SAA6713H

Table 26 Input interface sync selection; note 1

iif_cs_sog_en	iif_dvi_on	iif_hs_regen_on	HS_IIF	VS_IIF
0	0	X	HSYNC	VSYNC
0	1	X	HS_DVI	VS_DVI
1	X	0	HS_CS	VS_CS
1	X	1	HS_REGEN	

Note

- 1. X = don't care.

7.5.5 PIN VSYNC CONFIGURATION

Besides serving as input for an external vertical synchronization pulse VSYNC can be switched as output of the vsync internally derived from (not shown in Fig.8):

- DVI data (VS_DVI)
- Sync-on-green slicer (SOG)
- Composite sync decoder (VS_CS).

The I/O direction of pin VSYNC is selected by vsync_out_en of register SYNC_SEL (18H at page 0). In case of output mode, the source is selected by sog_out_en and cs_dvi_de of register SYNC_SEL according to Table 27.

Table 27 Pin VSYNC switching modes; note 1

vsync_out_en	sog_out_en	cs_dvi_de	DIRECTION	VSYNC
0	X	X	input	external
1	1	X	output	SOG
1	0	1		VS_DVI
1	0	0		VS_CS

Note

- 1. X = don't care.

7.6 Interrupt generation

An interrupt signal is provided at output pin \overline{INT} (active LOW). The state of \overline{INT} is based on mode detection, auto-adjustment, OSD, decoupling FIFO and output interface interrupt conditions shown in Table 28.

Table 28 Interrupt conditions and description

INTERRUPT	SUBMODULE	DESCRIPTION
int_mode	mode detection	change of input video mode detected
int_auto	auto-adjustment	auto-adjustment finished
int_fifo	decoupling FIFO	FIFO overflow
int_osd	OSD	end of programmed OSD frame sequence
int_oif	output interface	FIFO underflow
int_iif	input interface	line jitter occurs (hsync jitter detection)

Interrupt output pin \overline{INT} is set LOW (active) whenever one or more of the interrupt flags is HIGH. The interrupt flags are set HIGH, when the corresponding interrupt condition is met:

- The mode detection interrupt flag is set HIGH when one of the mode measurement bits toggles or a value changes significantly at the vsync or in case of vsync or hsync jitter, depending on which of the conditions are enabled (see Section 7.11.1).
- The auto-adjustment interrupt flag is set HIGH in the moment an auto-adjustment measurement finishes, indicating the result values can be read out.
- The decoupling FIFO interrupt flag is set HIGH whenever the decoupling FIFO is full, indicating that the output timing is too slow and a change of the timing is required; otherwise a corrupt output picture will occur.
- The OSD interrupt flag is set HIGH every time a pointer animation frame sequence ends to allow to switch the displayed icon and program the icon for the next turn (see Section 7.14.3).
- The output interface interrupt flag is set HIGH when the pixel stream to the output interface is broken, indicating that the output pixel or line rate is too fast.
- The hsync jitter interrupt flag (int_iif) is set HIGH when line jitter at the analog video input occurs more than a number of times specified in the register II_HJIT, indicating that the other clock edge should be used to sample the hsync and vsync signal.

XGA dual input flat panel controller

SAA6713H

The interrupt flags are accessible at the global interrupt state register GC_INT_STAT (FEH) and are readable. The flags are only cleared (set to LOW) if a logic 1 is written into the corresponding bit in GC_INT_STAT.

The interrupt conditions are maskable by the corresponding programming bit in GC_INT_MASK (FDH); a logic 1 is enabling the particular interrupt condition.

7.7 Triple analog-to-digital converter

The integrated triple ADC samples analog RGB signals of up to 110 MHz with a resolution of 8 bits per colour component and provide automatic brightness and contrast control (see Fig.11). The sample clock is generated by the line-locked PLL (see Section 7.4.3), but can also be applied externally. The triple ADC is automatically enabled, when analog RGB is selected as input source.

The time frames for the ADC automatic brightness and gain control are defined by clamp and gain correction pulses generated by the input interface. During these times the ADCs adjust brightness and gain according to the programmable brightness and contrast values defined by adc_red_brightness to adc_blue_contrast at registers ADC_R_BRI to ADC_B_CON (01H to 06H at page 1), that have to be provided in 2s-complement form between -128 (80H) and +127 (7FH).

Not all combinations of contrast and brightness settings are allowed. Combining very low contrast (low gain) together with low brightness (more black than black) is not allowed. These combinations would result in a very low

input DC level, which would result in the clamp circuit going out of saturation. This would lead to unpredictable behaviour of the clamp level. The allowed region for the gain value is limited between 27 and 110.

The clamp and gain correction pulse generation is programmed via registers II_ADC_CTRL and II_CLAMP_ON to II_GAINC_OFF (02H to 06H at page 4).

Clamp pulse generation is enabled by clamp_en. The beginning of the clamp pulse CLAMP is marked by clamp_on_delay as an offset to the second edge of the hsync pulse, the end by clamp_off_delay as shown in Fig.10. The polarity of CLAMP is given with clamp_pol; logic 1 is HIGH active and logic 0 is LOW active. During the clamp pulse, that should fall into the hsync backporch, the ADCs each match the sampled black level output value to the value given by adc_red_brightness, adc_green_brightness and adc_blue_brightness respectively.

The gain correction pulse GAINC is the delayed hsync. The first edge of the hsync is delayed by gainc_on_delay and the second edge by gainc_off_delay (see Fig.10). The polarity is programmed by gainc_pol; logic 1 is HIGH active and logic 0 is LOW active. The gain correction pulse generation is enabled by setting gainc_en. During gain correction the ADC inputs are connected to a reference voltage and by gain adjustment the output is matched to adc_red_contrast, adc_green_contrast and adc_blue_contrast.

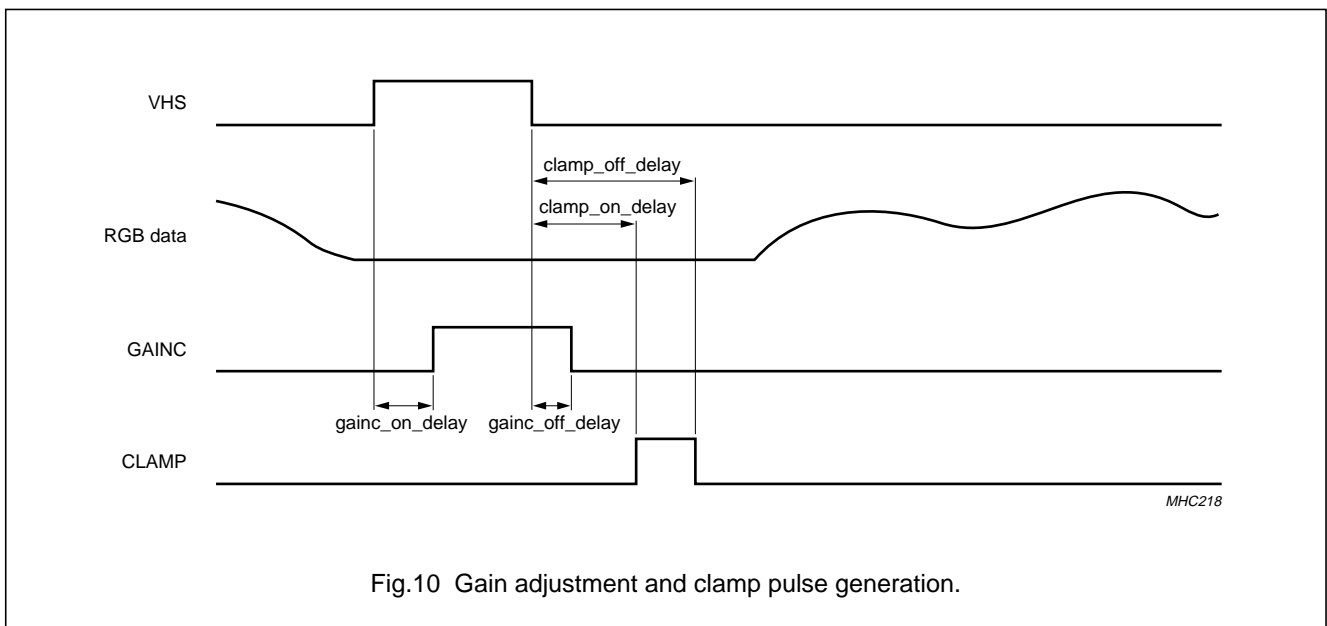


Fig.10 Gain adjustment and clamp pulse generation.

XGA dual input flat panel controller

SAA6713H

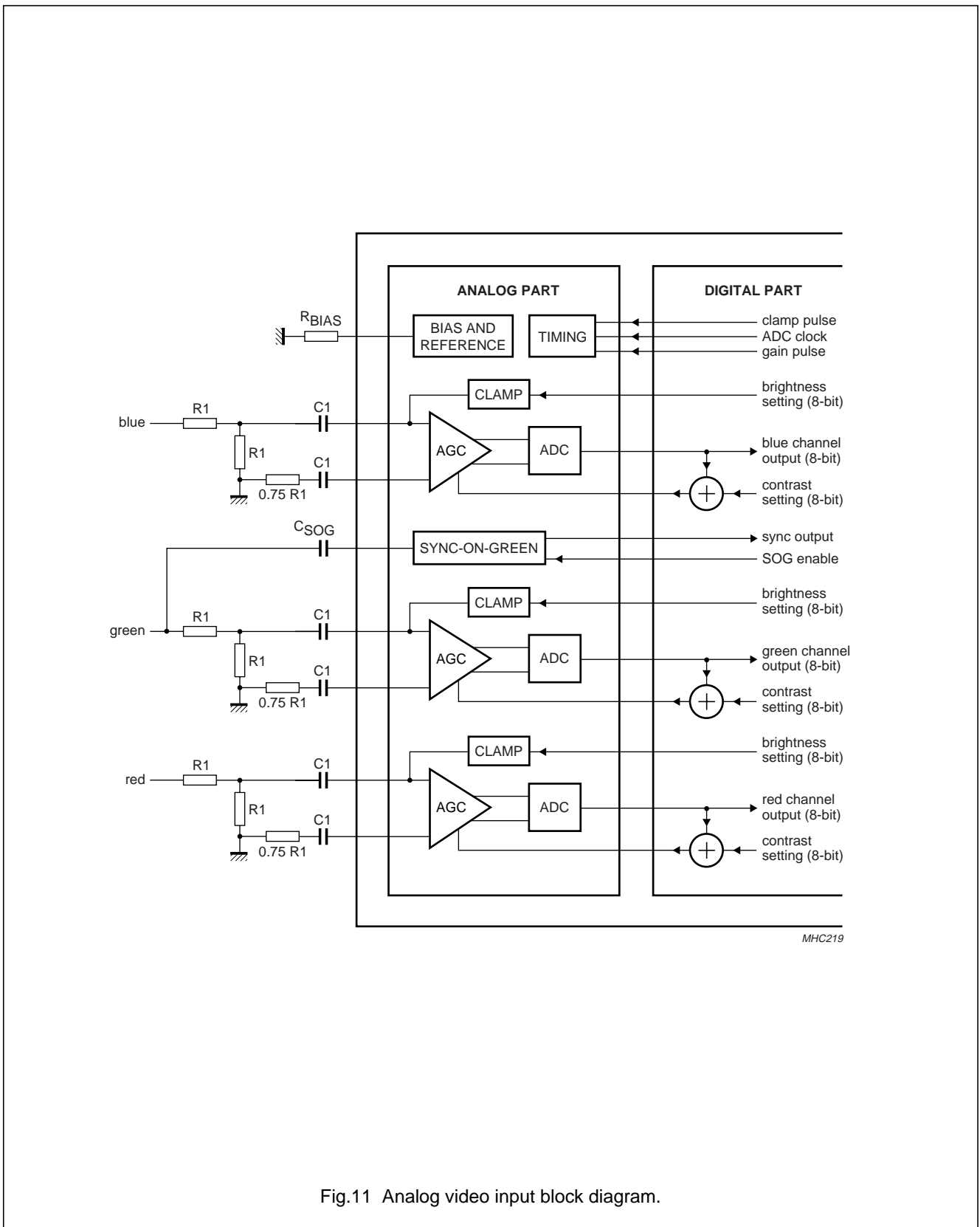


Fig.11 Analog video input block diagram.

XGA dual input flat panel controller

SAA6713H

7.8 DVI interface

The Digital Visual Interface (DVI) provides a high-speed digital connection for visual data types that is display technology independent. The interface is primarily focused at providing a connection between a computer and its display device.

The DVI uses a communications protocol called Transition Minimized Differential Signalling (TMDS™)(1). This protocol uses a digital encoding and decoding algorithm to minimize the number of transitions (from HIGH-to-LOW or vice-versa) within a packet of bits, thereby lowering the energy in the electromagnetic spectrum that the system radiates. Using TMDS™, it is generally easier to meet ElectroMagnetic Compatibility (EMC) requirements.

The TMDS™ receiver inputs are three data streams of 10-bit frames (TMDS™ data) and one clock channel. Per channel it recovers and decodes these frames into either 8-bit words or two control bits. It also decodes a Data Enable (DE) signal that indicates when the receiver is receiving active data and when it is receiving control data. The clock indicates the frequency of one TMDS™ data packet, i.e. the clock frequency is one tenth of the bit rate.

The DVI interface is automatically enabled when selected as input source for the input interface.

(1) Transition Minimized Differential Signalling (TMDS) is a subset of Panellink technology which is a registered trademark of Silicon Image, Inc.

7.8.1 HDCP

The DVI interface becomes High-bandwidth Digital Content Protection (HDCP) version 1.0 compliant. Authentication in hardware is supported. Therefore, the SAA6713H offers two signals: HSCL and HSDA. They are the clock and the data signal for the Device Data Channel (DDC) I²C-bus that is used in the authentication process. The HDCP keys are stored in an on-chip SRAM. The system microcontroller is supposed to transfer them from its ROM during initialization phase. No external EEPROM for key storage is required. The HDCP registers are mapped in Table 29.

The HDCP related internal configuration registers are placed on page 1 and the bits are mapped in Table 30.

Moreover, a dedicated software reset for the HDCP circuit together with the DVI receiver is introduced.

Table 29 HDCP registers on the Display Data Channel (DDC) I²C-bus; notes 1 and 2

REGISTER	ADDRESS	R/W	RESET	FIELDS
DDC_HDCP_BKSV0	00H	R	X	hdcp_bksv[7:0], receiver key selection vector
DDC_HDCP_BKSV1	01H	R	X	hdcp_bksv[15:8]
DDC_HDCP_BKSV2	02H	R	X	hdcp_bksv[23:16]
DDC_HDCP_BKSV3	03H	R	X	hdcp_bksv[31:24]
DDC_HDCP_BKSV4	04H	R	X	hdcp_bksv[39:32]
Reserved	05H to 07H	–	00H	
DDC_HDCP_RI0	08H	R	X	hdcp_ri[7:0], link verification response
DDC_HDCP_RI1	09H	R	X	hdcp_ri[15:8]
Reserved	0AH to 0FH	–	00H	
DDC_HDCP_AKSV0	10H	W	X	hdcp_aksv[7:0], transmitter key selection vector
DDC_HDCP_AKSV1	11H	W	X	hdcp_aksv[15:8]
DDC_HDCP_AKSV2	12H	W	X	hdcp_aksv[23:16]
DDC_HDCP_AKSV3	13H	W	X	hdcp_aksv[31:24]
DDC_HDCP_AKSV4	14H	W	X	hdcp_aksv[39:32]
Reserved	15H to 17H	–	00H	

XGA dual input flat panel controller

SAA6713H

REGISTER	ADDRESS	R/W	RESET	FIELDS
DDC_HDCP_AN0	18H	W	X	hdcp_an[7:0], session random number
DDC_HDCP_AN1	19H	W	X	hdcp_an[15:8]
DDC_HDCP_AN2	1AH	W	X	hdcp_an[23:16]
DDC_HDCP_AN3	1BH	W	X	hdcp_an[31:24]
DDC_HDCP_AN4	1CH	W	X	hdcp_an[39:32]
DDC_HDCP_AN5	1DH	W	X	hdcp_an[47:40]
DDC_HDCP_AN6	1EH	W	X	hdcp_an[55:48]
DDC_HDCP_AN7	1FH	W	X	hdcp_an[63:56]
Reserved	20H to 3FH	–	00H	
DDC_HDCP_BCAPS	40H	R	10H	[4] hdcp_fast_i2c, 400 kHz I ² C-bus
Reserved	41H to FEH	–	00H	
DDC_HDCP_DBG	FFH	R/W	00H	hdcp_dbg[7:0], debug register

Notes

1. X = don't care.
2. Multibyte values are stored in little endian format on DDC.

Table 30 HDCP registers configuration; note 1

BIT	RESET	DESCRIPTION
hdcp_enable	00H	0: HDCP disabled 1: HDCP enabled
key_decrypt_enable	00H	0: key is loaded into table without decryption 1: key is decrypted while loading into table
hdcp_ddc_addr	74H	I ² C-bus slave address on display data channel
key_decrypt_seed	X	key decryption seed
hdcp_bksv	X	receiver key selection vector
hdcp_key_index	00H	valid range is 00H to 27H
hdcp_key	X	hdcp_key[55:8]: secret key hdcp_key[7:0]: secret key, writing this register will auto-increment hdcp_key_index

Note

1. X = don't care.

XGA dual input flat panel controller

SAA6713H

7.9 Input interface

The input interface selects video data either provided by the ADCs, the TMDSTM receiver or externally applied and extracts the input picture for processing. The sample window position and size is programmable, using vertical and horizontal synchronization signals or the DVI data enable signals as reference. Alternatively, the picture generator can generate different test pictures with programmable size and horizontal and vertical blanking length.

All input interface programming registers are mapped to the I²C-bus configuration register page 4.

7.9.1 INPUT SELECTION

The input source is selected by ext_select and dvi_select (register II_CTRL, address 00H) as shown in Table 31. In case of parallel RGB input, the R component has to be provided at ports PA7 (MSB) to PA0 (LSB) in 8-bit format (range 0 to 255), G and B component similarly at ports PB7 to PB0 and ports PC7 to PC0, respectively. The input source can only be changed in a functional reset (see Section 7.3).

The clock signal edge used to sample the data inputs is specified by ext_clk_edge. If ext_clk_edge is set to logic 1 data is sampled on the rising front-end clock edge; otherwise on the falling front-end clock edge. If convert_2s is set to logic 1 the incoming data is expected to be in 2s-complement form from -128 (80H) to +127 (7FH); otherwise input data is treated as unsigned values from 0 to 255. Data from the internal ADCs is always in 2s-complement form.

To enable the input interface in_form_on has to be set to logic 1; otherwise no data will be provided for processing. If the picture generator is active, the input formatter will always provide generated data.

Table 31 Input source selection; note 1

ext_select	dvi_select	INPUT SOURCE
1	X	parallel RGB
0	1	DVI encoded RGB
0	0	analog RGB

Note

- 1. X = don't care.

7.9.2 SYNCHRONIZATION SIGNALS

The synchronization pulses are used to identify the frame outline. The sync signals for the input interface are provided by the sync distribution. The complete description of sync switching options is given in Section 7.5. If analog or parallel RGB input mode is used, the vertical synchronization pulse (vsync) is connected to pin VSYNC and the horizontal synchronization pulse (hsync) to pin HSYNC. A composite synchronization signal is connected to pin HSYNC. Pin VSYNC can then serve as an output for the generated vertical synchronization pulse. If TMDSTM data is selected, the synchronization pulses as well as a DE signal are taken from the DVI data stream.

For DVI input, dvi_use_hsync defines whether the hsync (dvi_use_hsync = 1) or DE signal (dvi_use_hsync = 0) is used for reference purposes.

The polarities of hsync, vsync and the DE signal are defined by vs_pol, hs_pol and dvi_de_pol. In case of active HIGH polarity, the corresponding bit has to be set to logic 1; otherwise to logic 0.

If sync_clk_edge is set to logic 1 all synchronization signals are sampled with the rising front-end clock signal edge; otherwise with falling edge.

If delay_vs is set to logic 1, the vsync is delayed in relation to the hsync to prevent line jitter if both occur at the same time, which is monitored by the mode detection.

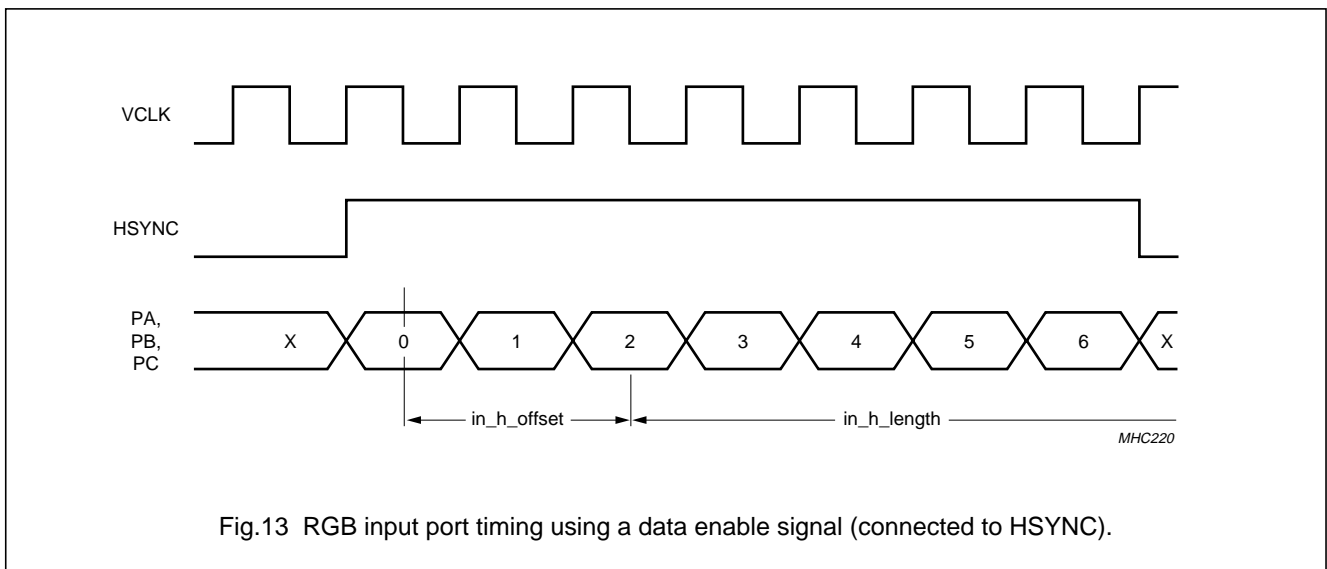
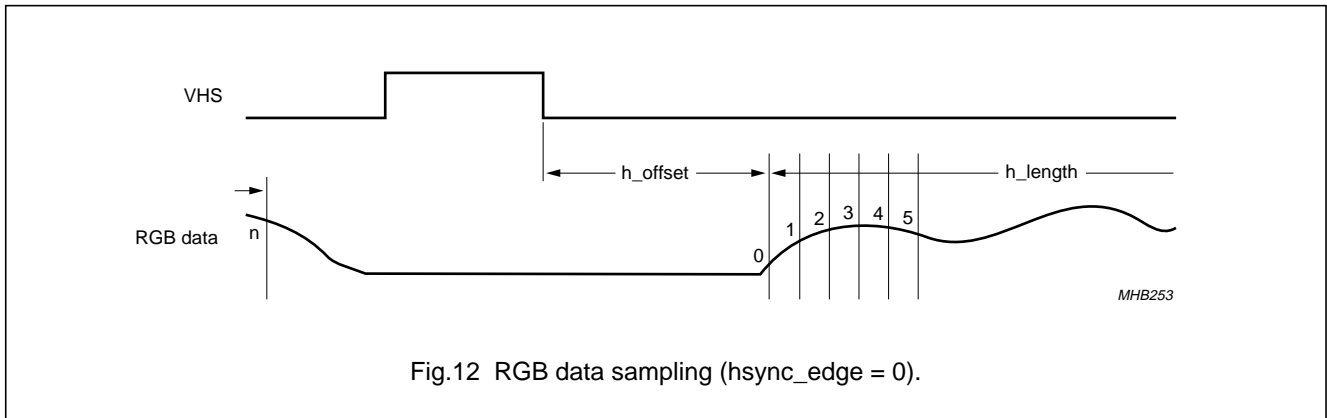
7.9.3 DEFINITION OF SAMPLE WINDOW

The sample window is defined by in_v_offset, in_h_offset, in_v_length and in_h_length. The vertical offsets are measured from the trailing edge of the vsync pulse. The horizontal offsets are measured from either the first edge of the hsync pulse if hsync_edge is set to logic 1, or the second edge if hsync_edge is set to logic 0. Figure 12 shows the horizontal offset for the case hsync_edge is set to logic 0. If a DE signal is applied instead of a hsync signal, the leading edge should be used (hsync_edge = 1). If both offsets are set to value 0H, sampling will start with the first pixel in the first line (see Fig.13).

The length defines width and height of the sampled frame. The vertical sample offset and length are given in lines and the horizontal offset and length are measured in pixels.

XGA dual input flat panel controller

SAA6713H



7.9.4 INTERLACED INPUT

Sampling of interlaced RGB data is enabled by `interlace_on`. The polarity of the input fields is determined by the number of hsyncs within a frame. The even fields are expected to contain an additional line if `reverse_field_id` is set to logic 0, or to contain one line less if `reverse_field_id` is set to logic 1.

In the interlaced input mode, the vertical sampling length parameter `in_v_length` has to be programmed with the length of the actual field (is half the frame length).

For de-interlacing, the upscaler has to be programmed accordingly.

7.9.5 PICTURE GENERATOR

The input interface contains a picture generator, that can be used to apply simple test pictures instead of using the ADC or DVI input. A front-end clock has to be provided (see Section 7.4.1).

The picture generator is active when `test_pic_on` is logic 1. It generates a picture of the size defined by `in_h_length` and `in_v_length` with additional blanking. The total line length and number of lines are defined by `h_length_total` and `v_length_total`. The input interface sample offset is without effect when using the picture generator.

XGA dual input flat panel controller

SAA6713H

The picture generator consists of a border generation, a vertical and a horizontal ramp and ripple generator, that work independently. The two ramp and ripple generators can be activated separately for each RGB colour component. If `h_ramp_r`, `h_ramp_g`, `h_ramp_b`, `v_ramp_r`, `v_ramp_g` or `v_ramp_b` are set to logic 1, the corresponding ramp and ripple pattern is applied to the corresponding colour component; otherwise the pattern does not contribute to the colour component. If `white_border` is logic 1, then the border generator is activated for all colours. The border, horizontal and vertical ramp and ripple generator outputs are added up for each colour component. Additionally, all colour components are bit reversed if `invert` is set to logic 1.

Both ramp and ripple pattern generators work in the same way, only the horizontal generator is based on the column position and the vertical generator on the line number. The ramp and ripple generation is shown in Fig.14 for the example of the horizontal generator.

The first step size (`h_step1` or `v_step1`) defines the interval after which the increment value (`h_colour_inc` or `v_colour_inc`) is added to the current colour. If the second step size (`h_step2` or `v_step2`) is set to 0, the increment is repeatedly added after the first step size interval. If the second step size is not 0, after the increment value was added the second step size defines the position where the decrement value is subtracted from the current colour. After this the first step size and the increment is applied again and so on. Range over or underflows are not suppressed and cause the colour values to wrap around.

7.9.6 HSYNC JITTER DETECTION

For certain sampling phases the hsync is sampled at its edge and thus unstable. This jitter is detected and another sampling clock edge can be used to avoid it. To detect hsync sample jitter the interval between hsyncs in sample clock cycles is monitored. If the length varies, hsync jitter is detected. As the sample jitter can only change the line length by a maximum of two cycles, only the lowest two bits of the line length have to be considered. If the current line length differs from the previous line, line jitter occurred. The differences of line lengths within a frame are accumulated and the hsync jitter interrupt may be generated when a certain level (`hs_jitter_th`) is exceeded. During normal operation the jitter detection is only active during the sampled area of the input frame, because the clock rate of the PLL generated sample clock might slightly vary during vsyncs. The detection circuit is active at all times during reset or when the input interface is disabled. For the interrupt a state and an enable register exists, as well as a clear flag. The interrupt is level-based, so every frame after a certain number of occurrences until the next vsync the interrupt state is set to logic 1. The jitter detection does not work correctly without a vsync signal.

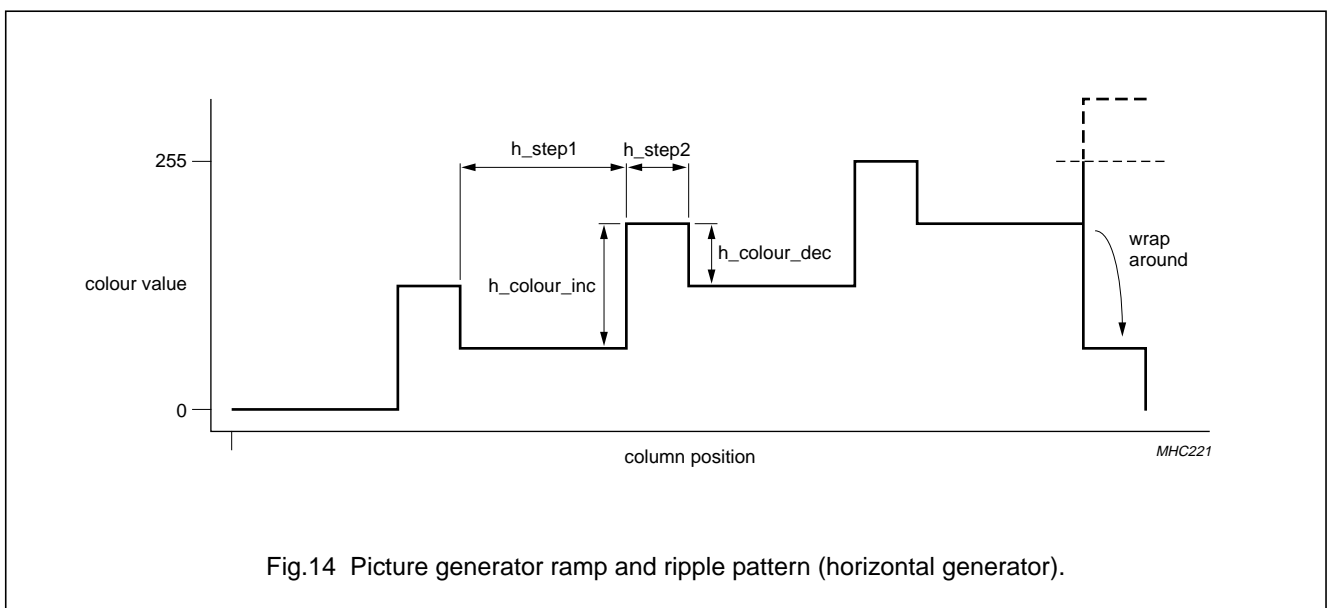


Fig.14 Picture generator ramp and ripple pattern (horizontal generator).

XGA dual input flat panel controller

SAA6713H

7.10 Colour processing

The colour processing performs brightness and contrast adjustment. A programmable offset and gain factor is applied to each RGB colour component. Additional gain and offset values can be applied to the pixel data, not affecting R, G and B components separately, but all components at the same time. Luminance and chrominance of the pixel data can be directly adjusted, which allows true brightness, contrast and colour saturation using single parameters. Register CP_GAIN_Y controls the contrast and CP_OFFS_Y controls the brightness level; both without affecting the colour temperature. Registers CP_GAIN_CB, CP_OFFS_CB, CP_GAIN_CR and CP_OFFS_CR specify gain and offset values for the red and blue saturation of the RGB data. The colour saturation can be shifted simply by using both gain values.

The gain and offset values are specified by the 8-bit configuration registers CP_GAIN_Y to CP_OFFS_B (address 00H to 0BH at page 5). The offset values offset_y, offset_cb and offset_cr for Y-C_B-C_R and offset_r, offset_g and offset_b for RGB colour space are given in the range from -128 (80H) to +127 (7FH) in 2s-complement form. The gain factors gain_y, gain_cb and gain_cr as well as gain_r, gain_g and gain_b are given in unsigned form, 128 (80H) representing a factor of 1.0.

7.11 RGB mode detection and auto-adjustment

The SAA6713H can be used to build up auto-scan systems using an external microcontroller. Therefore, information about the input resolution and timing are measured by the SAA6713H that can be read out via the I²C-bus.

Provided information can be divided into mode detection information to determine the actual RGB input mode and various auto-adjustment features to support the adjustment of the setting of the SAA6713H to the new mode.

7.11.1 MODE DETECTION

The mode detection determines mode characteristics of the selected video input. The information is provided at the readable I²C-bus registers and changes in the values can trigger the interrupt. All the mode detection I²C-bus registers are mapped to register page 2. The mode detection uses the back-end clock and cannot run without a present back-end clock. The mode detection is enabled by setting md_on to logic 1.

The source of the synchronization pulse signals used by the mode detection is selected by the sync distribution as described in Section 7.5.4 (HS_MDD and VS_MDD).

The absence of synchronization pulses is indicated by the flags no_vsync and no_hsync. If the corresponding synchronization signal cannot be detected, the flags are set to logic 1; otherwise to logic 0. It should be noted that the hsync is considered undetected, whenever there are more than 65536 back-end clock cycles between two hsyncs.

The bits vsync_pol and hsync_pol provide the polarities of the synchronization signals applied. If the synchronization signal is active HIGH, the corresponding flag is set to logic 1; otherwise the flag is set to logic 0.

The flag jitter_detected is set to logic 1, when the active edge of hsync and vsync coincide indicating a possible jitter of the syncs, which would lead to an incorrect or unstable result for the number of hsyncs between vsyncs; otherwise the flag is set to logic 0. If a possible jitter between hsync and vsync is detected, a delayed vsync can be used for the measurements instead, which is selected by setting delay_vsync to logic 1; otherwise the original vsync is used.

The value of v_lines reports the number of lines within a frame up to a maximum of 2048 lines and v_clocks gives the length of the input frame in back-end clock cycles with a maximum of 2²⁴ clock cycles. The horizontal period in back-end clock cycles is given by h_clocks, which can be determined in different measurement modes. If h_clocks_accu and h_clocks_cont are both set to logic 0, the h_clocks value is determined once per frame in the middle of the frame. If h_clocks_accu is logic 1, then h_clocks gives the accumulated length of 16 lines also measured in the middle of the frame. If h_clocks_accu is logic 0, but h_clocks_cont is set to logic 1, then the h_clocks measurement is performed every line of the frame, including the vertical blanking and vsync time. The maximum horizontal period is 65536 back-end clock cycles.

The measurement results can be used to generate a mode detection interrupt. Each flag or value can be individually enabled for interrupt generation by setting the corresponding interrupt enable bit jitter_int_en, v_lines_int_en, h_clocks_int_en, v_clocks_int_en, no_vsync_int_en, no_hsync_int_en, vsync_pol_int_en or hsync_pol_int_en to logic 1. Changes of v_lines, v_clocks and h_clocks only cause an interrupt if the difference between new and old value is greater than four.

XGA dual input flat panel controller

SAA6713H

Additionally, the mode detection interrupt can be generated on the falling edge of every vsync, which is enabled if vsync_int_en is set to logic 1.

The states of each interrupt condition vsync_int, jitter_int, vsync_pol_int, hsync_pol_int, no_vsync_int, no_hsync_int, v_lines_int, h_clocks_int and v_clocks_int can be read out at registers MD_INT_HI and MD_INT_LO (0AH and 0BH). Whenever an interrupt condition is met, the particular flag is set to logic 1. If clear_int at MD_CTRL (00H) is programmed with logic 1, all interrupt flags are cleared.

If int_lock is set to logic 1, all flags and values are frozen in the moment an interrupt occurs until clear_int is set to logic 1 the next time.

To disable the DVI delock interrupt by software when no DVI clock is present, the dvi_delock_int_mdd_en bit in the register GC_MISC1 (FBH) has to be programmed. This has to be considered in particular if no DVI clock is present during Power-on reset.

7.11.2 SYNC ACTIVITY DETECTION

Activity detection for both DVI and AVI horizontal and vertical sync is provided and is independent from whether DVI or AVI is selected as input in the input interface. Moreover, the vertical sync output of the CSYNC slicer and the sync-on-green signal from the sync separator are checked permanently for activity. An interrupt may be generated on any change of activity. Interrupts can be masked with a set of interrupt enable bits. Writing a logic 1 to the existing clear_int bit will clear this interrupts.

For activity bits, logic 0 means inactive and logic 1 means active. For sync interrupt bits, logic 0 means disabled and logic 1 means enabled. For sync active interrupt bits, logic 0 means no interrupt and logic 1 means interrupt pending.

The sync-on-green activity detection is only an indicator that the digital output of the sync slicer is active. The line-locked PLL with its lock flag should be used to distinguish a real sync-on-green from disturbances resulting from the image data on the green channel.

Table 32 Line PLL lock

llpll_inlock	FUNCTION
0	line PLL out-of-lock
1	line PLL in lock

7.11.3 AUTO-ADJUSTMENT

There are four auto-adjustment modes:

- Active area detection
- Brightest and lowest pixel search
- Pixel measurement
- Phase distortion measurement.

The programming registers for all four modes are shared. Bit aa_mode selects the auto-adjustment mode according to Table 33.

Table 33 Auto-adjustment modes

aa_mode[1:0]	FUNCTION
00	active area detection
01	brightest and lowest pixel search
10	pixel measurement
11	phase distortion measurement

In each mode, reference colours or reference coordinates have to be programmed (into bits ref_colour_0, ref_colour_1 or ref_row_0, ref_col_0, ref_row_1, ref_col_1 respectively). The auto-adjustment is activated by writing to the AA_CTRL register and started synchronized to the beginning of the next frame. The function is then applied for a number of frames defined in aa_cycles. After performing the auto-adjustment for this number of frames, an interrupt can be generated. The different aa-functions have two further aa_submode bits to control the functionality of each auto-adjustment mode.

7.11.3.1 Active area detection

With the active area detection feature it is possible to measure the number of blanking pixels and lines between the synchronization pulses and the active video.

To distinguish between blanking and active video the threshold colour values ref_colour_0 and ref_colour_1 have to be defined. Parameter ref_colour_0 is used to determine the start of the active video area. If the sample value of at least one of the three colour components is above this value the pixel is treated as upper left corner of active video.

XGA dual input flat panel controller

SAA6713H

Its coordinates are stored in eval_col_0 (x-coordinate) and eval_row_0 (y-coordinate). All pixels are also compared with the ref_colour_1 values. If one of the current colour values is bigger, the coordinates are saved in eval_row_1 and eval_col_1. At the end this value defines the lower, right corner of the active area. The values are kept in eval_row_0/1 and eval_col_0/1 until another mode or another area detection without resample is started. It is also possible to start measuring with the preceded values in the resample submodes. In submodes without resample, the results will not be smaller than the preceding values.

There are two different modes available:

- In the enhanced mode all input data is used for measurement (see Fig.15)
- In the non-enhanced mode only one input line, defined by ref_row_1 and one input column, defined by ref_col_1, is used (see Fig.16).

The needed sample offsets for the input interface can be directly obtained by reading out the eval_row_0 and eval_col_0 values. The number of active pixels per line and lines per field is generated by subtracting the eval_row_0, eval_col_0 value from the eval_row_1, eval_col_1 value.

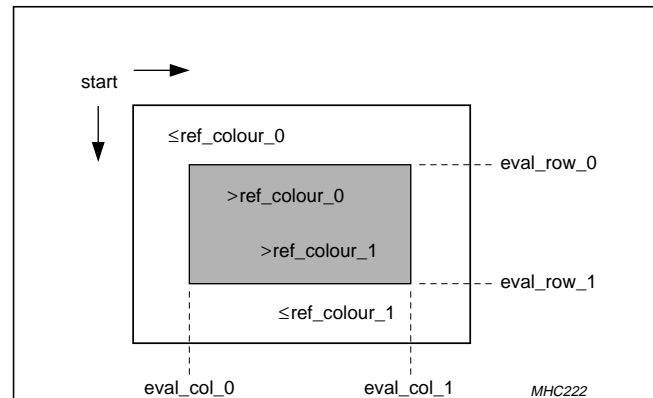
Dependent on the sampling settings of the input interface, the eval_row_0 and eval_col_0 values usually correspond to the horizontal and vertical backporch of the incoming video signal and the active video, of course, meets the active area of that stream. The calculated active pixels per line value can be used for adjusting the line-locked PLL which is generating the ADC sample clock in a way that this value matches the number of expected active pixels per line in the actual graphics mode.

There are four submodes available, as shown in Table 34. In the non-enhanced modes, the active area detection is not performed over the whole frame as in the enhanced modes, but only within the line and within the column programmed by ref_row_0 and ref_col_0.

For correct results, these reference values have to be previously set inside the active area of the picture. If a submode with initial values is selected eval_col_0/1 and eval_row_0/1 are reset to their initial values before evaluation.

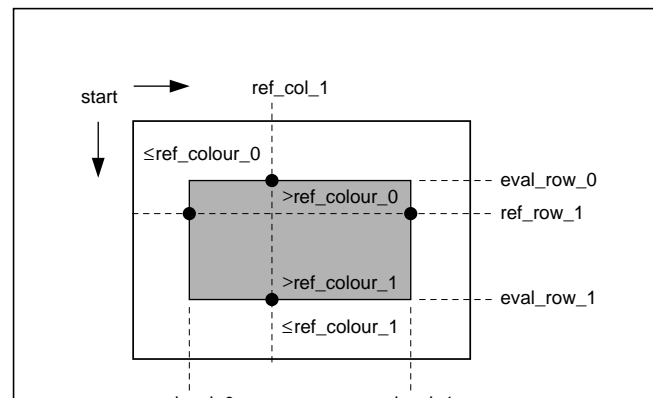
The brightest and lowest pixel value inside the active area is available in ref_pixel_red_0/1, ref_pixel_green_0/1 and ref_pixel_blue_0/1. The evaluated values for the lowest colour value pixel cannot be lower than the lowest threshold value.

The DVI data enable signal can be used for the active area measurement of the auto-adjustment. If dvi_de_auto_adj of input interface register II_SYNC_CTRL (01H at page 4) is set to logic 1, the active area position and size is directly derived from the data enable signal; if dvi_de_auto_adj is logic 0, then the picture contents are used for the measurement.



Active area: shaded.

Fig.15 Enhanced mode.



Active area: shaded.

Fig.16 Non-enhanced mode.

XGA dual input flat panel controller

SAA6713H

Table 34 Mode 00 (active area detection)

BIT	DESCRIPTION
Input values	
aa_submode[1:0]	submode 00: enhanced mode with resampling, no initial values, evaluation over full frame 01: non-enhanced mode with resampling, no initial values, evaluation in one row and column 10: enhanced mode with initial values 11: non-enhanced mode with initial values
aa_cycles[1:0]	measurement interval 00: 1 frame 01: 4 frames 10: 8 frames 11: until next change in position value
ref_col_0[10:0]	reference column (for non-enhanced mode)
ref_row_0[11:0]	reference row (for non-enhanced mode)
ref_colour_0[23:0]	threshold value of backporch colour (upper left)
ref_colour_1[23:0]	threshold value of frontporch colour (lower right)
Output values	
eval_col_0[15:0]	active area upper left corner column; will be set to FFFF before evaluation in mode without resample
eval_row_0[15:0]	active area upper left corner row; will be set to FFFF before evaluation in mode without resample
eval_col_1[15:0]	active area lower right corner column; will be set to 0000 before evaluation in mode without resample
eval_row_1[15:0]	active area lower right corner row; will be set to 0000 before evaluation in mode without resample
ref_pixel_red_0[7:0]	maximum red component colour value over whole frame
ref_pixel_green_0[7:0]	maximum green component colour value over the whole frame
ref_pixel_blue_0[7:0]	maximum blue component colour value over the whole frame
ref_pixel_red_1[7:0]	minimum red component colour value within active area
ref_pixel_green_1[7:0]	minimum green component colour value within active area
ref_pixel_blue_1[7:0]	minimum blue component colour value within active area

XGA dual input flat panel controller

SAA6713H

7.11.3.2 *Brightest and lowest pixel search*

The brightest and lowest pixel search determines the position of the brightest pixels and the lowest pixels in a predefined area. Therefore, the area is scanned from the upper left to the lower right corner. The pixel value and the position values are readable. Four submodes are available to search independently for RGB minimum and maximum values (see Table 35).

Table 35 Mode 01 (minimum and maximum search)

BIT	DESCRIPTION
Input values	
aa_submode[1:0]	submode 00: maximum of red and green 01: maximum of blue 10: minimum of red and green 11: minimum of blue
aa_cycles[1:0]	measurement interval 00: 1 frame 01: 4 frames 10: 8 frames 11: 16 frames
ref_col_0[10:0]	search area upper left corner column
ref_row_0[11:0]	search area upper left corner row
ref_col_1[10:0]	search area lower right corner column
ref_row_1[11:0]	search area lower right corner row
Output values	
eval_col_0[15:0]	pixel position 0 column (according to submode)
eval_row_0[15:0]	pixel position 0 row (according to submode)
eval_col_1[15:0]	pixel position 1 column (according to submode)
eval_row_1[15:0]	pixel position 1 row (according to submode)
ref_pixel_red_0[7:0]	red channel colour value at evaluated position 0
ref_pixel_green_0[7:0]	green channel colour value at evaluated position 0
ref_pixel_blue_0[7:0]	blue channel colour value at evaluated position 0
ref_pixel_red_1[7:0]	red channel colour value at evaluated position 1
ref_pixel_green_1[7:0]	green channel colour value at evaluated position 1
ref_pixel_blue_1[7:0]	blue channel colour value at evaluated position 1

XGA dual input flat panel controller

SAA6713H

7.11.3.3 Pixel measurement

For exact measurements within the incoming video stream, two reference pixel positions can be defined with `ref_row_0`, `ref_col_0` and `ref_row_1`, `ref_col_1`. The R, G and B components of this pixel are sampled and available at `ref_pixel_red_0/1`, `ref_pixel_green_0/1` and `ref_pixel_blue_0/1`. The reference pixel colour values can be used for fine tuning the external PLL in frequency and phase and for colour gain adjustment.

Three submodes are available to output the maximum value, the minimum value or the mean value at the dedicated position (see Table 36).

To simplify the measurements, the values can be taken as a single snapshot representing the momentary value of the pixel at the reference position or they can be build up over several frames, which is activated by programming the number of frames to bits `aa_cycles`.

Table 36 Mode 10 (pixel measurement)

BIT	DESCRIPTION
Input values	
<code>aa_submode[1:0]</code>	submode 00: maximum of pixel at dedicated positions 01: minimum of pixel at dedicated positions 10: mean value of pixel at dedicated positions 11: mean value of pixel at dedicated positions
<code>aa_cycles[1:0]</code>	measurement interval 00: 1 frame 01: 4 frames 10: 8 frames 11: 16 frames
<code>ref_col_0[10:0]</code>	pixel position 0 column
<code>ref_row_0[11:0]</code>	pixel position 0 row
<code>ref_col_1[10:0]</code>	pixel position 1 column
<code>ref_row_1[11:0]</code>	pixel position 1 row
Output values	
<code>ref_pixel_red_0[7:0]</code>	red channel colour value at position 0
<code>ref_pixel_green_0[7:0]</code>	green channel colour value at position 0
<code>ref_pixel_blue_0[7:0]</code>	blue channel colour value at position 0
<code>ref_pixel_red_1[7:0]</code>	red channel colour value at position 1
<code>ref_pixel_green_1[7:0]</code>	green channel colour value at position 1
<code>ref_pixel_blue_1[7:0]</code>	blue channel colour value at position 1

XGA dual input flat panel controller

SAA6713H

7.11.3.4 Phase distortion measurement

To help adjusting the phase for the ADCs, the SAA6713H has a built-in phase distortion measurement which is calculating a 30-bit indicator value of a defined area of the video signal (see Table 37). The area for phase distortion measurements may contain active video or blanking. The area is defined by applying the upper left and lower right corner of the area to `ref_col_0`, `ref_row_0` and `ref_col_1`, `ref_row_1` respectively. Assuming a stable input picture with different pixel values inside the measurement window, the phase adjustment can be done by shifting the ADC phases and reading out the phase distortion indicator value of bits `eval_row_0` and `eval_col_0` for the maximum distortion value and `eval_row_1` and `eval_col_1` for the minimum distortion value. The best sampling phase corresponds to the highest value of the phase distortion indicator.

This phase distortion value could also be used for the frequency adjustment by sweeping the input frequency around the assumed target frequency.

When auto-adjustment is in phase distortion mode, a signature is calculated for each frame. Changes inside the input stream can be detected by reading the signature bits `ref_pixel_blue_0`, `ref_pixel_red_1`, `ref_pixel_green_1` and `ref_pixel_blue_1`. For still pictures, the signature does not change.

Table 37 Mode 11 (phase distortion measurement)

BIT	DESCRIPTION
Input values	
<code>aa_submode[1:0]</code>	not used
<code>aa_cycles[1:0]</code>	measurement interval 00: 1 frame 01: 4 frames 10: 8 frames 11: 16 frames
<code>ref_col_0[10:0]</code>	measurement area upper left corner column
<code>ref_row_0[11:0]</code>	measurement area upper left corner row
<code>ref_col_1[10:0]</code>	measurement area lower right corner column
<code>ref_row_1[11:0]</code>	measurement area lower right corner row
Output values	
<code>eval_col_0[15:0]</code>	maximum of distortion[15:0]
<code>eval_row_0[15:0]</code>	maximum of distortion[29:16]
<code>eval_col_1[15:0]</code>	minimum of distortion[15:0]
<code>eval_row_1[15:0]</code>	minimum of distortion[29:16]
<code>ref_pixel_blue_0[5:0]</code>	signature[29:24]
<code>ref_pixel_red_1[7:0]</code>	signature[23:16]
<code>ref_pixel_green_1[7:0]</code>	signature[15:8]
<code>ref_pixel_blue_1[7:0]</code>	signature[7:0]

XGA dual input flat panel controller

SAA6713H

7.11.3.5 How to use auto-adjustment

Table 38 Auto-adjustment steps

STEP	ACTION
1	program position values according to mode
2	program mode, submode and cycle values to start auto-adjustment
3	wait until interrupt appears
4	read the according values

7.12 Decoupling FIFO

The decoupling FIFO allows an output line generation independent of the input line timing. The FIFO holds 1280 pixels, and either buffers incoming data when the vertical upscaling does not require any or holds back a line to be able to provide a continuous data stream in case of vertical downscaling.

The FIFO output is locked after every line if `line_lock` is set to logic 1; otherwise after every frame and only released if the FIFO level exceeds the threshold level, given by `fifo_threshold` in units of 8 pixels.

7.13 Scaling

The SAA6713H features separate scaling engines for upscaling and downscaling, for both horizontal and vertical processing. Two separate scaling units are implemented to perform upscaling and downscaling.

7.13.1 DOWNSCALING

The downscaling engine is used for reducing the incoming RGB data stream, i.e. for displaying high resolution input frames on panels with a smaller resolution. The scaling ratio can be programmed independently for both horizontal and vertical downscaling units. The algorithm uses pixel accumulation, achieving a minimum scaling factor of $\frac{1}{64}$. If the downscaler is used, it must be enabled by setting `dsc_en` to logic 1.

Setting-up the desired downscaling ratios is achieved by programming the scaling increments `dsc_v_incr`, `dsc_v_incr_corr`, `dsc_h_incr` and `dsc_h_incr_corr`. This must be done for both vertical and horizontal scaling.

$$\text{incr} = \frac{\text{number_of_output_pixels}}{\text{number_of_input_pixels}} \times 64 = \text{xx.yy}$$

Where `xx` is equivalent to `dsc_v_incr` or `dsc_h_incr` and `yy` is the fraction of the result in $\frac{1}{100}$.

This is the value for programming the increment correction values `dsc_v_incr_corr` and `dsc_h_incr_corr`.

Example: from SXGA to XGA.

$$\text{Horizontal: } \frac{1024}{1280} \times 64 = 51.20$$

This means `dsc_h_incr` = 51 and `dsc_h_incr_corr` = 20.

$$\text{Vertical: } \frac{768}{1024} \times 64 = 48.00$$

This means `dsc_v_incr` = 48 and `dsc_v_incr_corr` = 00.

7.13.2 UPSCALING

The upscaling engine is used for enlarging the incoming video frames. The magnification can be programmed individually for horizontal and vertical scaling. The maximum scaling factor for both directions is 64.

The implemented filter algorithm uses interpolation with pixel enhancement, based on a free programmable transition function. Therefore, it is possible to define the transition between two calculated pixels to obtain different sharpness characteristics. This transition function must be defined in the 48×8 bits look-up table, with a number ranging from 0 to 64. Different functions can be programmed for horizontal and vertical scaling.

The upscaler must be activated by `usc_en`. To set up the zoom factor, the scaling increments `v_scale_incr`, `v_scale_corr`, `h_scale_incr` and `h_scale_corr` must be programmed.

$$\text{incr} = \frac{\text{number_of_output_pixels}}{\text{number_of_input_pixels}} \times 64 = \text{xx.yy}$$

Where `xx` is equivalent to `v_scale_incr` or `h_scale_incr` and `yy` is the fraction of the result in $\frac{1}{100}$.

This is the value for programming the increment correction values `v_scale_corr` and `h_scale_corr`.

Example: from XGA to SXGA.

$$\text{Horizontal: } \frac{1280}{1024} \times 64 = 80.00$$

This means `h_scale_incr` = 80 and `h_scale_corr` = 00.

$$\text{Vertical: } \frac{1024}{768} \times 64 = 85.33$$

This means `v_scale_incr` = 85 and `v_scale_corr` = 33.

Remark: The last digit must be rounded up: 85.33 results in 1023.96 lines, but the upscaler will display only 1023 lines.

XGA dual input flat panel controller

SAA6713H

7.13.3 HORIZONTAL FLIPPING

The SAA6713H provides the possibility to flip horizontally the incoming picture. As flipping needs a line memory, both the downscaler and the upscaler have a flip programming register. When using the downscaler flip mode (flip_h = 1), no vertical downscaling can be performed. This is to be used when upscaling and flipping have to be programmed.

In case downscaling and flipping shall be performed, flipping has to be done inside the upscaler by setting usc_h_flip to logic 1.

7.14 On screen display

The on screen display consists of three different and independent parts: OSD text, OSD bitmap and OSD pointer, where the OSD text is used as the 'main' OSD part to build an application specific On Screen Menu (OSM). The bitmap part of the OSD is intended to be used for company logo or can be used as the backdrop of an OSM with up to 16 individual colours. As an addition for the graphical user interface in the OSM, the OSD pointer part allows a hardware cursor that is overlaid over picture data and the other OSD data. Its intention is to be used as a mouse pointer for selecting and modifying OSM items.

Each of the three OSDs can be zoomed independently with pixel repetition by the factors 1, 2, 3 and 4 and can be rotated by 90 degrees clockwise, horizontally and vertically mirrored, if desired. All colour information used by the three OSD parts are organized in global colour tables (palettes) which define a certain colour each with 24-bit RGB data. These colour and palette registers are located at register page 9 (OSD colours).

7.14.1 OSD TEXT

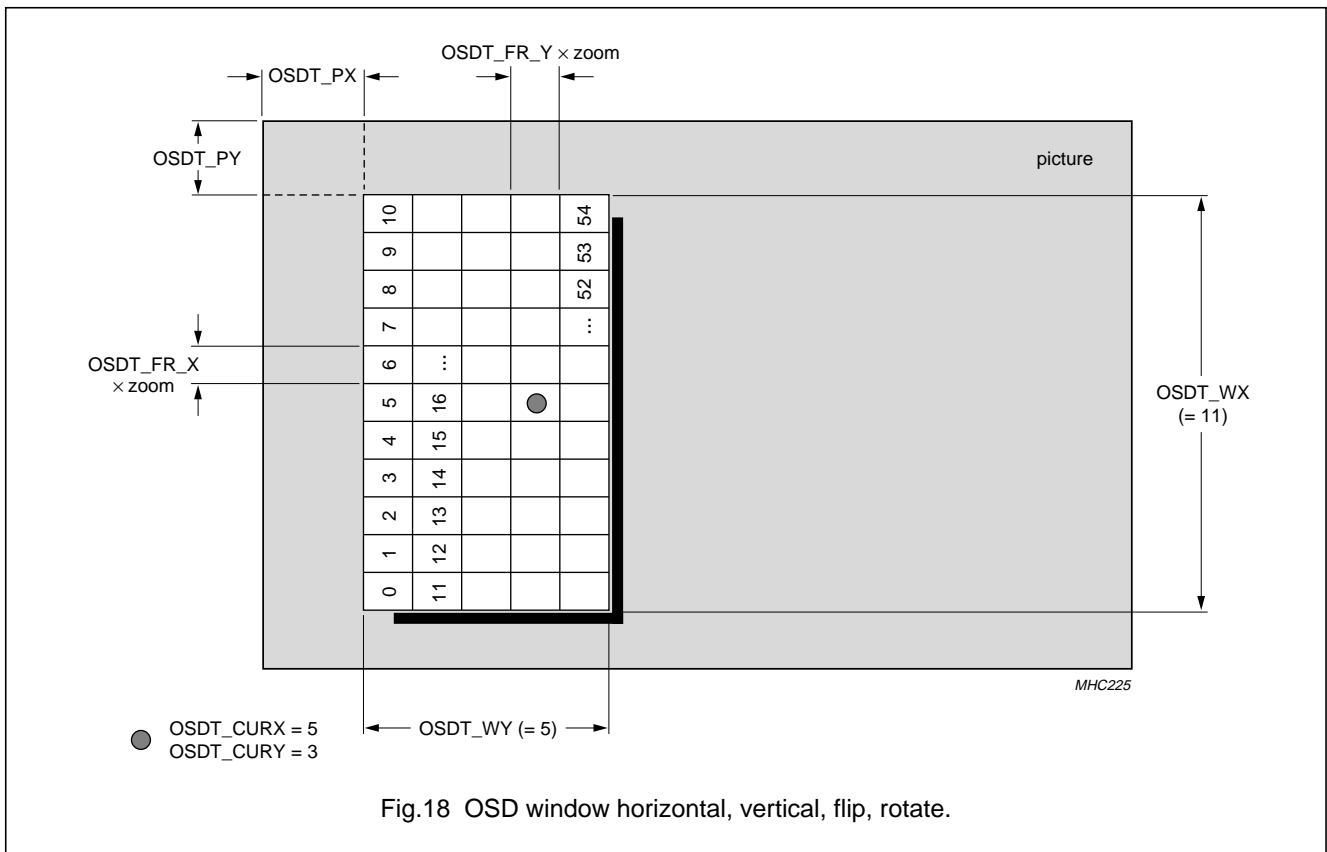
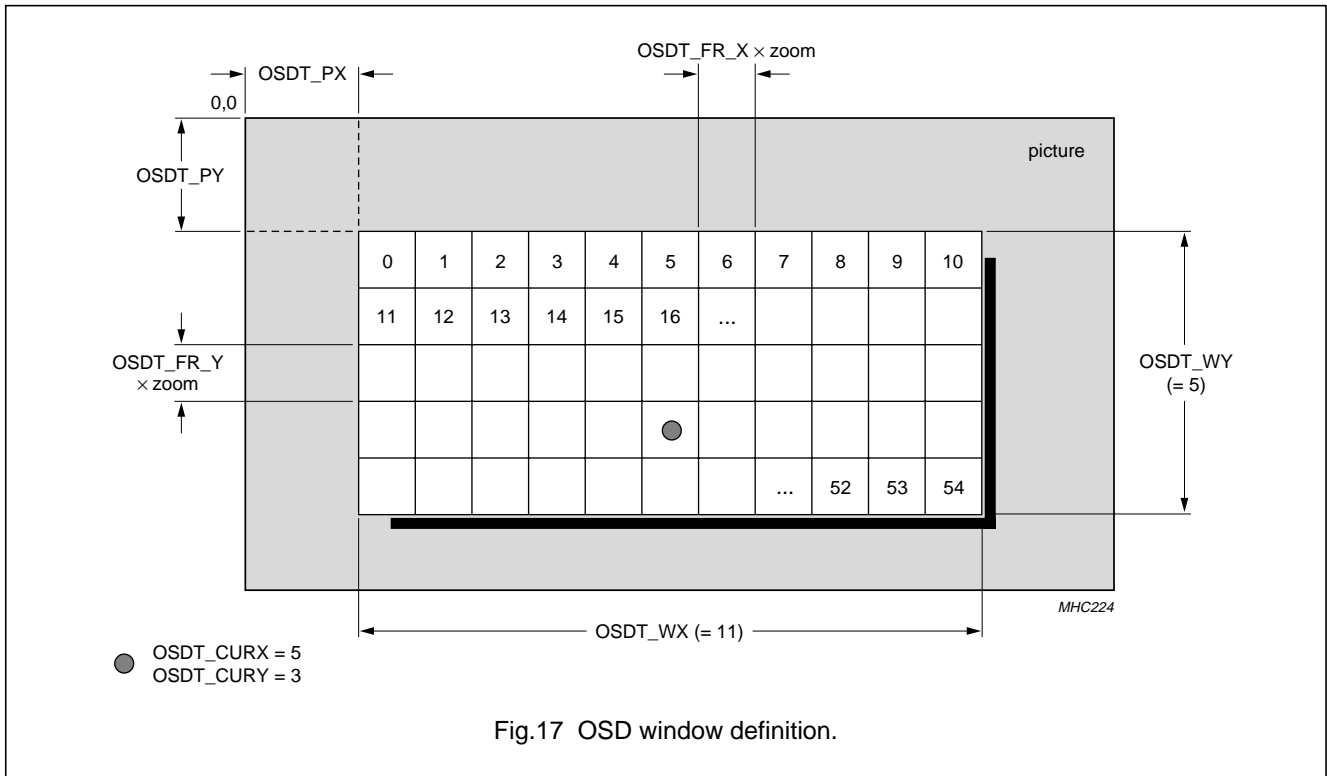
The OSD text is a character based approach and consists of a window definition RAM, a font definition RAM and a font definition ROM. The window definition RAM gives the information about the data that is going to be displayed. It is organized as a character-based matrix that is free definable in terms of width and height (registers OSDT_WX and OSDT_WY) as long as the resulting number of elements does not exceed the maximum number of 1024 elements. Each element of this window matrix can directly accessed using the cursor registers OSDT_CURX and OSDT_CURY. The display position where the OSD text window is displayed in the picture, can be freely defined via the registers OSDT_PX and OSDT_PY.

In Fig.17 an example of an 11 × 5 character window is shown that uses a total number of 55 elements. It should be noted that the parameters OSDT_WX and OSDT_WY are given in CHARACTER units, whether the offset of the window is given in PIXEL units. The real size of the OSD text window depends on the actual defined font resolution (OSDT_FR_X and OSDT_FR_Y), the actual zoom factor (zoom[1:0] value of 1, 2, 3 or 4 in register OSDT_CTRL0) and the rotate flag (rotate_right in register OSDT_CTRL0). So, the overall size of the OSD text in pixel is derived by calculating $OSDT_WX \times ZOOM \times OSDT_FR_X$ respectively $OSDT_WY \times ZOOM \times OSDT_FR_Y$. In addition to this nominal window size, the optional window shadow feature (bit window_shadow) will extend the active OSD text area by the defined width and height (OSDT_WSHAD) multiplied with the actual zoom factor.

Keep in mind that during rotation of the OSD, the core OSD text height and width will be visible exchanged, but the anchor position and the window shadow will not be seen (see Fig.18). From the application (software) point of view, the OSD programming does not change no matter if horizontal, vertical or flip flags are used or not. Only the display position registers (anchor) OSDT_PX and OSDT_PY must be chosen in a way that the now transposed OSD text window fits still in the picture. All matrix and font based accesses are automatically transposed, not even the index of the elements (cursor) has to be considered.

XGA dual input flat panel controller

SAA6713H



XGA dual input flat panel controller

SAA6713H

To allow easy access to the window definition when writing data to the OSD text, the cursor will perform an auto-increment function to the next right element (or to a new line, if the line ends) each time an element is written to the RAM which is allowing an I²C-bus burst transmission to define the window contents. The actual cursor values can be read back at any time.

Each element of the OSD text window consist of 23 bits. They represent the property of an OSD text character. The elements are accessible via the OSDT_PROP2, OSDT_PROP1 and OSDT_PROP0 registers (see Table 39). All information encoded with these OSDT_PROP registers is valid for one character only, so the look of an OSD text can be changed mainly on a character base. The colour definition elements bg_colour[2:0] and fg_colour[2:0]/palette[2:0] are not defining a colour directly but are assigning a value from the

global OSD colour tables which are defined within register page 9. For single colour characters, the user can select one of the eight possible foreground colours and one of eight possible background colours. For multicolour characters one out of eight possible colour palettes is chosen; each defining four colours (1 background and 3 foreground) to be used within this character. The information whether a character is a multicolour character or a single colour character is derived from the charcode and the value of sc_startcode (OSDT_SC_HI and OSDT_SC_LO) that defines the multi or single character mapping inside the font RAM.

Table 39 OSD property registers

REGISTER	D7	D6	D5	D4	D3	D2	D1	D0
OSDT_PROP2		blink[1:0]		shadow	bg_trans	fg_trans	bg_alpha	fg_alpha
OSDT_PROP1	bg_colour[2:0]			fg_colour[2:0]/palette[2:0]			ROM	charcode[8]
OSDT_PROP0	charcode[7:0]							

Table 40 OSD property registers bit description

BIT	DESCRIPTION
blink[1:0]	defines the blink mode of the character 00: blinking is off 01: blinking of foreground only 10: character is inverse, no blinking 11: blinking by inversion of foreground and background colour
shadow	if set to logic 1, the character will be displayed with an 1 pixel horizontal and vertical shadow
bg_trans	if set to logic 1, the background colour is displayed transparent
fg_trans	if set to logic 1, the foreground colour is displayed transparent
bg_alpha	if set to logic 1, the background will not be displayed solid but alpha-blended with picture data using the global definable background alpha-blending factor (OSDT_BGA)
fg_alpha	if set to logic 1, the foreground will not be displayed solid but alpha-blended with picture data using the global definable foreground alpha-blending factor (OSDT_FGA)
bg_colour[2:0]	defines which of the 8 definable text background colours is used for this character
fg_colour[2:0]/palette[2:0]	shared programming bits; fg_colour defines which of the 8 text foreground colours is used for this character (only valid if charcode points to a single colour character) and palette defines used multicolour palette (only valid if charcode points to a multicolour character)
ROM	if set to logic 1, the character is selected from ROM; if set to logic 0, then the character is selected from RAM
charcode[8:0]	indicates the desired character inside the font ROM/GEN or the font RAM

XGA dual input flat panel controller

SAA6713H

Different property register write modes can be selected, allowing to accelerate the I²C-bus programming of OSD windows with characters sharing the contents of one or more property registers. Parameter write_mode of register OSDT_MASK (see Table 41) controls which of the three property registers OSDT_PROP2 to OSDT_PROP0 have to be updated until the character information is internally written into the window RAM. The registers are activated by write_mode according to Table 43. Only once all activated registers have been updated via the I²C-bus, the character is written into the window RAM and the cursor position defined by OSDT_CURX and OSDT_CURY is advanced to the next window element. The information of an inactive property register is still included in the character definition, but the register does not have to be rewritten for every new character definition.

Example 1: for a single-coloured ASCII character-based OSD, write_mode is set to '001' and property registers OSDT_PROP2 and OSDT_PROP1 have only to be defined initially, all window elements are then defined by consecutive writing of OSDT_PROP0. With every write operation to OSDT_PROP0 a new window element is defined.

The I²C-bus burst access is also supported for the property registers specified by parameter write_mode as

specified in Table 43. The active property register values of consecutive window elements can be transmitted in the I²C-bus burst mode without the requirement of repeating device addressing and the transmission of the subaddress for every character or property register.

Example 2: for a multi-coloured OSD, write_mode is set to 6 to activate only OSDT_PROP1 and OSDT_PROP0. OSDT_PROP2 is set initially. The OSD can then be programmed with one I²C-bus write burst consisting of device addressing byte, the OSDT_PROP1 subaddress followed by OSDT_PROP1 value of first character, OSDT_PROP0 value of first character, OSDT_PROP1 value of second character, OSDT_PROP0 value of second character, OSDT_PROP1 value of third character etc. After each transmission of an OSDT_PROP0 value the character definition is transferred into the window RAM. The masking bits (see Table 42) are used as a data filter that specifies which parts of the complete OSDT_PROP word (23 bits) are written to the RAM and which are masked out. Each attribute will only be updated in the OSD text window RAM element if its mask bit is set to logic 1. If that is not the case, the window RAM will ignore this part of the OSDT_PROP register and will keep up its previously defined value for this part at the selected OSD text window element.

Table 41 OSDT_MASK register

REGISTER	D7	D6	D5	D4	D3	D2	D1	D0
OSDT_MASK	blink_mask	shadow_mask	bg_mask	fg_mask	code_mask	write_mode[2:0]		

Table 42 OSDT_MASK register bit description

BIT	DESCRIPTION
blink_mask	1: blink[1:0] property will be written according to actual OSDT_PROP2 settings 0: blink[1:0] property will not be modified
shadow_mask	1: shadow property will be written according to actual OSDT_PROP2 settings 0: shadow property will not be modified
bg_mask	1: all background information will be written according to actual property settings (OSDT_PROP2: bg_trans, bg_alpha and OSDT_PROP1: bg_colour) 0: the background property will not be modified
fg_mask	1: all foreground information will be written according to actual property settings (OSDT_PROP2: fg_trans, fg_alpha and OSDT_PROP1: fg_colour) 0: the foreground property will not be modified
code_mask	1: the charcode property will be written according to actual property settings (OSDT_PROP1: ROM, charcode[8] and OSDT_PROP0: charcode[7:0]) 0: the charcode property will not be modified
write_mode[2:0]	write mode selection (see Table 43)

XGA dual input flat panel controller

SAA6713H

Table 43 Write mode selection

write_mode[2]	write_mode[1]	write_mode[0]	ACTIVE I ² C-BUS REGISTERS	I ² C-BUS SUBADDRESS AUTO-INCREMENT HANDLING
0	0	0	–	–
0	0	1	OSDT_PROP0	burst access to OSDT_PROP0
0	1	0	OSDT_PROP1	burst access to OSDT_PROP1
0	1	1	OSDT_PROP1 and OSDT_PROP0	sequential access to OSDT_PROP1 → OSDT_PROP0 → OSDT_PROP1 → etc.
1	0	0	OSDT_PROP2	burst access to OSDT_PROP2
1	0	1	OSDT_PROP2 and OSDT_PROP0	sequential access to OSDT_PROP2 → OSDT_PROP0 → OSDT_PROP2 → etc.
1	1	0	OSDT_PROP2 and OSDT_PROP1	sequential access to OSDT_PROP2 → OSDT_PROP1 → OSDT_PROP2 → etc.
1	1	1	OSDT_PROP2 to OSDT_PROP0	sequential access to OSDT_PROP2 → OSDT_PROP1 → OSDT_PROP0 → OSDT_PROP2 → etc.

The combination of the mask bits and the write_mode already provides a powerful way to speed any OSM drawings by minimizing the needed I²C-bus transmissions, but there is even more hardware support for defining an area inside the OSD text window which has the same element property for all elements within its boundaries.

An area can be defined using the upper-left and bottom-right cursor coordinates inside the OSD text window matrix using the OSDT_FAULX, OSDT_FAULY, OSDT_FABRX and OSDT_FABRY registers. The execution of the writing is initiated by writing a logic 1 to areafill_start (register OSDT_CTRL0) and as before, the current value of the complete 23-bit OSDT_PROP word is written to each element of the defined area. Of course, the mask bits are still valid and can be used also during an areafill execution. So, this function can not only be used to overwrite and clear areas inside the OSM, it can also be used to highlight or blink certain areas in the OSM. It should be noted that it might be needed to set the write_mode to '000' if you want to change any of the OSDT_PROP settings previous to an areafill and assure that no write and cursor auto-increment is done accidentally.

As described before: all definitions of the OSD window elements are just defining the property of a character and are pointing to a font definition by the charcode attribute. The real character contents are taken from either the font ROM/GEN part or the font RAM part of the OSD text indexed by that charcode.

The font definition ROM/GEN is already providing a large amount of predefined fonts as illustrated in Fig.19.

XGA dual input flat panel controller

SAA6713H

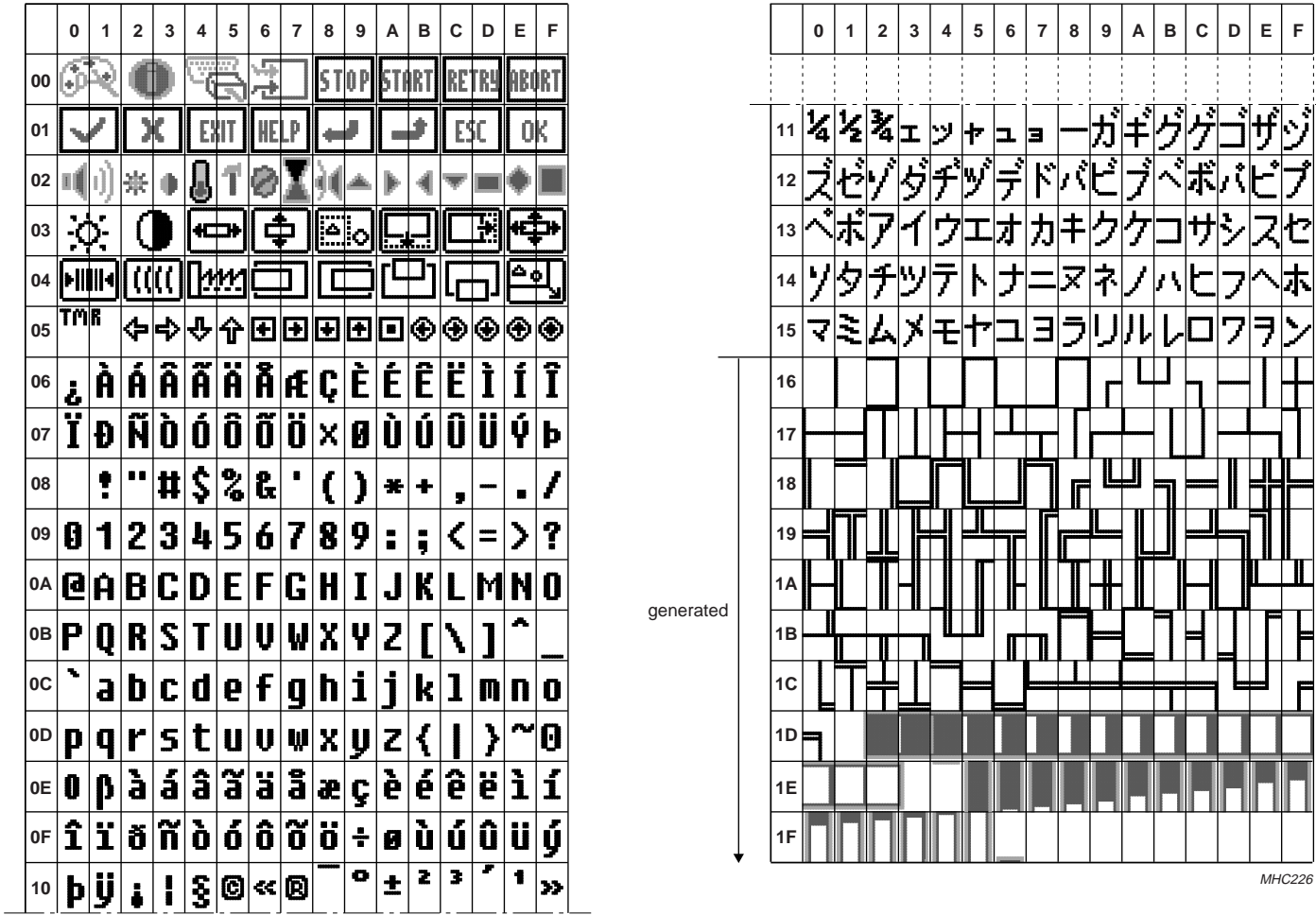


Fig.19 ROM/GEN character codes.

XGA dual input flat panel controller

SAA6713H

The character codes from 000H to 15FH (see Table 44) are ROM defined characters with the natural resolution of 12×18 pixels, so the font resolution defined via OSDT_FR_X and OSDT_FR_Y should be set to 12 and 18 to achieve optimal viewing results. If the actual font resolution is defined greater than 12×18 , all ROM characters will be centred automatically inside the programmed font size; if it is less than 12×18 the characters will be cropped. This handling allows ROM and RAM characters to be displayed together in one OSD, even if the RAM font size does not fit the ROM size of 12×18 pixels. Looking at Fig.19 it is easily seen that the ROM is using six different subareas for the charcode.

The addresses from 160H to 1F6H are mapped to the internal character generators (GEN). Despite the real ROM definitions these characters do not have a native resolution instead they will always be displayed in the actual defined font resolution (OSDT_FR_X and OSDT_FR_Y) itself.

While the border characters of the font GEN are kept fixed and just adapted to the used font size, the slider parts are generated based on its parameters OSDT_SLP1 and OSDT_SLP0 (see Table 45).

Table 44 ROM mapping

ADDRESS (HEX)	CONTENTS
000 to 01F	multicolour, dual character symbols
020 to 02F	multicolour, single character symbols
030 to 04F	single colour, dual character symbols
050 to 05F	single colour, single character symbols
060 to 112	single colour, ANSI like character set with ASCII mapping (ASCII code + 60H)
113 to 15F	single colour, basic Japanese font set
160 to 1D1	single colour, border and line characters
1D1 to 1F6	multicolour generated slider parts

Table 45 Slider property registers

REGISTER	D7	D6	D5	D4	D3	D2	D1	D0
OSDT_SLP1	slider_border[3:0]				slider_offset[3:0]			
OSDT_SLP0				slider_style	slider_gap[3:0]			

Table 46 Slider property registers bit description

BIT	DESCRIPTION
slider_offset[3:0]	distance from the character border to the generated slider in pixel
slider_border[3:0]	thickness of slider border in pixel
slider_gap[3:0]	gap between slider border and slider core in pixel
slider_style	0: fill; middle slider parts are solidly filled from left to right and from bottom to top 1: peak; middle slider parts are created with a single marker at reference position

XGA dual input flat panel controller

SAA6713H

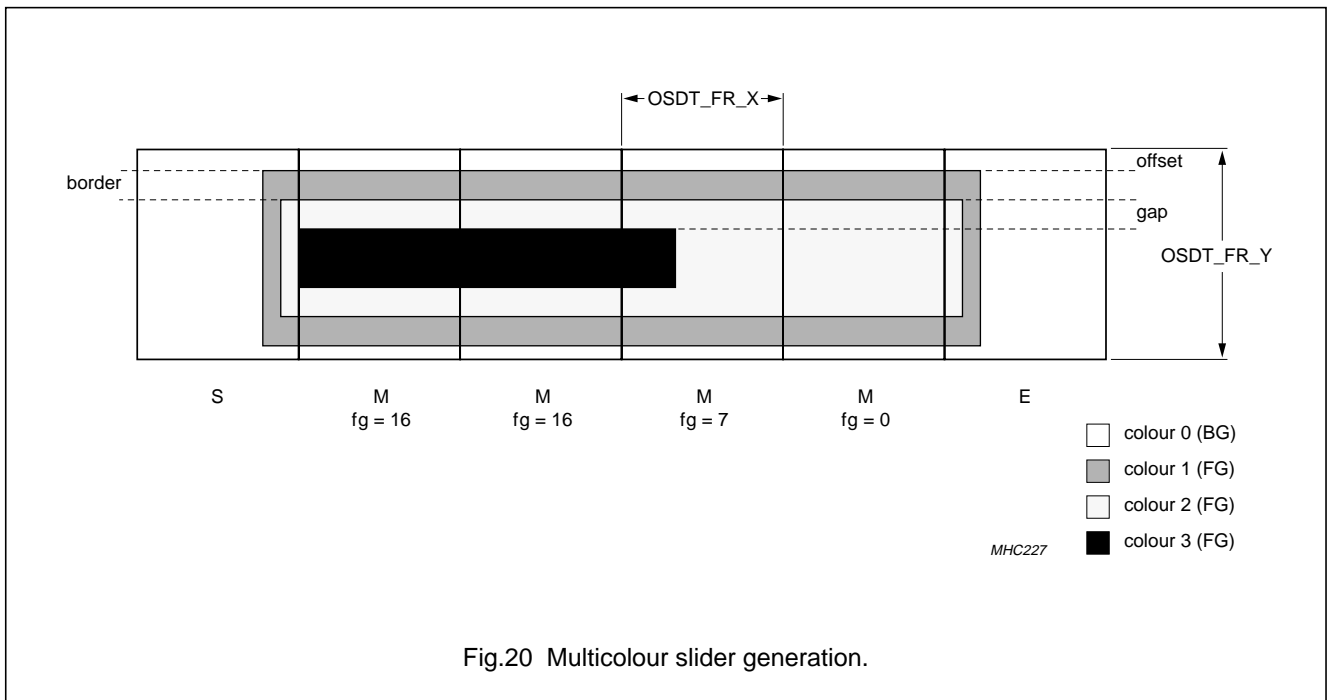


Fig.20 Multicolour slider generation.

When putting together a slider with multiple characters (see Fig.20), a slider always consists of three basic parts: a start part (S), a middle part (M) with different fill grades (fg) and an ending part (E).

The start part is always located at address 1D2H (horizontal) respectively 1F6H (vertical) and the end part is always located at 1E3H respectively 1E4H.

The characters in between the start and the end character correspond to different fill grades of the middle part that are needed to give a subcharacter precision in a custom slider. In this system the middle part uses a natural resolution of 16 pixel per character which is resulting in 17 different characters from empty to full. If the display size is different from the natural resolution, either some fill grades will be skipped or some fill grades will be doubled within the 17 characters that are reserved to represent the middle parts. Anyhow mathematically, it is always correct to use the slider resolution of 16 to calculate the fill grade of the last partly filled slider part and use this value directly to index to the correct middle part. Using this approach results in an overall slider resolution equal to the number of used middle characters multiplied by 16 to graphically display any values within an OSM either with a fill bar or a single marker.

To achieve more flexibility in the OSD look, 4 kbyte of user definable RAM can be used in addition to the ROM/GEN

characters. This font definition RAM can contain a downloadable mixed multicolour or single colour font which is in terms of character size freely programmable via OSDT_FR_X and OSDT_FR_Y registers but has to be between 8 × 8 and 32 × 32 pixels. This font resolution is valid for all characters inside the RAM, no matter if they are defined in single colour or multicolour but a single colour pixel can be stored with one while a multicolour pixel occupies two bits inside the font RAM. For single colour characters a pixel of value '0' will be displayed as background and a pixel data of value '1' will be displayed as foreground according to the defined colour values in the OSDT_PROP registers and the OSD colour definitions on register page 9. For multicolour characters always two bits are taken for each pixel that directly map to the four colour value inside the selected multicolour palette which is also defined in register page 9 and is selected within OSDT_PROP.

The font RAM (see Table 47) can store a maximum number of 512 8 × 8 single colour characters which corresponds to the 9-bit charcode in the OSDT_PROP registers. Using multicolour definitions that need two bits per pixel and/or larger font resolution reduces of course the number of possible characters to be stored in the font RAM.

XGA dual input flat panel controller

SAA6713H

The multicolour font definitions have to start always from address 0 and the start of the single colour definitions is indicated by the configurable single colour start code (OSDT_SC register). This means all the characters with charcodes below the OSDT_SC value are treated as multicolour and all charcodes above this value are handled as single colour characters. To use only multicolour characters in the RAM font set this value must be set to an unreachable value. Due to the RAM size of 4 kbyte a multicolour 8 × 8 font with 2 bits per pixel can hold 256 characters as maximum so it is enough to set only bit 8 in OSDT_SC_HI register to logic 1. To use only single colour definitions set the complete OSDT_SC pointer simply to 000H.

A character is stored in the font RAM using the OSDT_CC_HI, OSDT_CC_LO, OSDT_CMASK and OSDT_CDEF registers where OSDT_CC gives the charcode of the character to be defined and OSDT_CDEF and OSDT_CMASK are used for the data bits and the according mask using 8 bits at a time.

The data format written to OSDT_CDEF has to be MSB aligned representing the following pixel of the character with the pixel sequence processed from top to bottom and left to right. As mentioned before, a single colour pixel is represented with one bit while a multicolour pixel needs two bits to be described. So each definition of a character will need multiple writes to OSDT_CDEF (8 bits at a time) until the whole character is completed. The total number of bytes to be transmitted is depending on the defined font size and if the character uses a single or multicolour definition.

Table 47 Examples of possible font RAM configurations

FONT SIZE	STORABLE CHARACTERS	
	COLOUR	MAXIMUM NUMBER
8 × 8	single colour only	512
	multicolour only	256
	mixed example	256 single colour and 128 multicolour
12 × 16	single colour only	170
	multicolour only	85
	mixed example	100 single colour and 35 multicolour
12 × 18	single colour only	151
	multicolour only	75
	mixed example	121 single colour and 15 multicolour
9 × 13	single colour only	280
	multicolour only	140
	mixed example	200 single colour and 40 multicolour
24 × 24	single colour only	56
	multicolour only	28
	mixed example	40 single colour and 8 multicolour
32 × 32	single colour only	32
	multicolour only	16
	mixed example	24 single colour and 4 multicolour

XGA dual input flat panel controller

SAA6713H

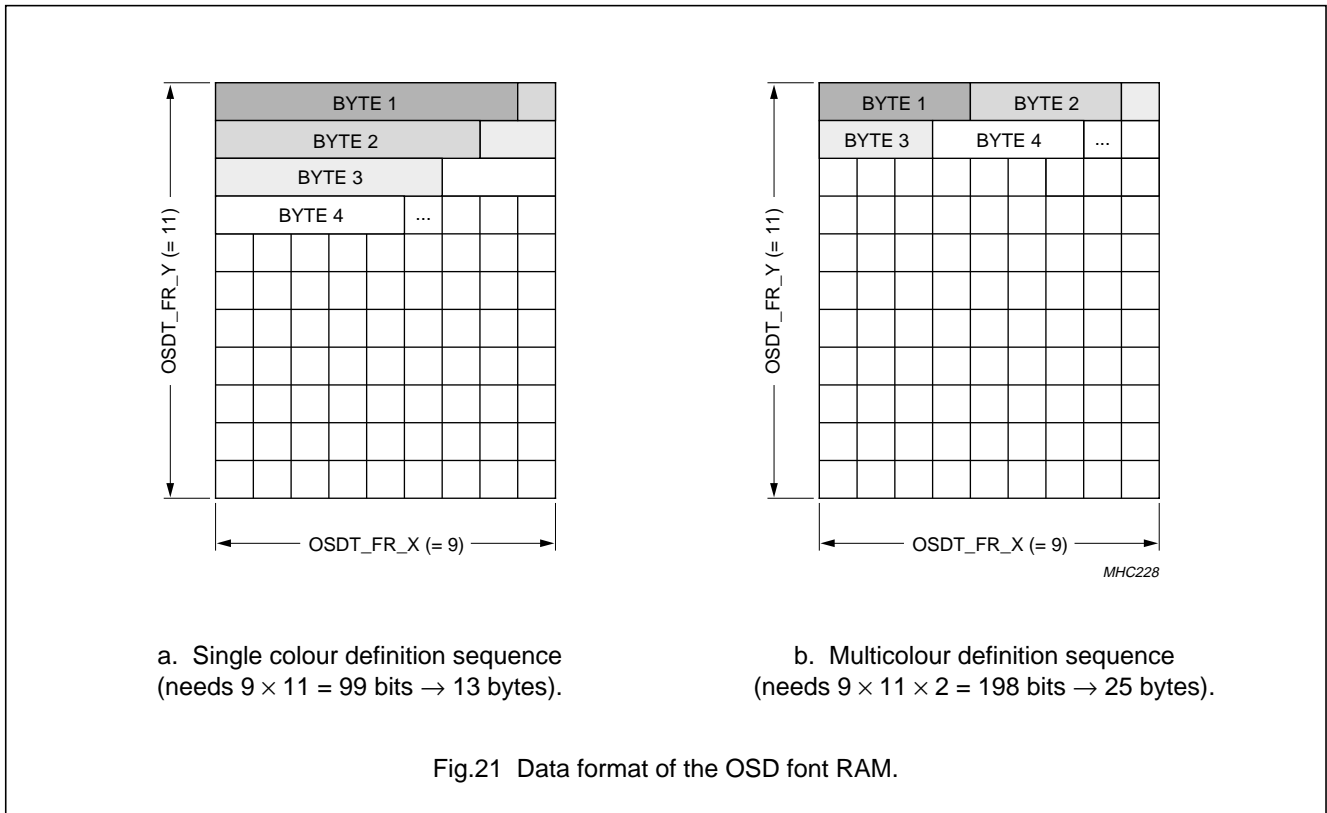


Fig.21 Data format of the OSD font RAM.

It should be noted that the characters are not stored byte-aligned in the internal RAM due to the programmable font sizes (see Fig.21). Due to this, a bit-exact address is internally needed that points to the first bit of a character inside an 8-bit data word. This internal character base address is calculated new, each time data is written to either the OSDT_CC_HI or OSDT_CC_LO register and is incremented by 8 bits on each write to OSDT_CDEF. During each write the actual value of the OSDT_CMASK register is used. So for an 8×8 single colour character to be defined, simply set OSDT_CC to the desired charcode, set all bits of OSDT_MASK to logic 1 and write 8 times to OSDT_CDEF to define the complete character. For a 9×9 single colour character (needs 81 bits) you have to do 11 writes to OSDT_CDEF, even if only the MSB of the 11th transmission is used and the remaining 7 bits stay unused. One could now either use masked writing to mask those bits 6 to 0 out (so the following character definition is not touched) or immediately continue with the definition of the next character and simply connect the next character data to bit 6 down to bit 0. Because the IC cannot determine which functionality is desired, the user can select this by setting the OSDT_CC register. If an automatic masking at the end of each character is desired, the flag single_char_def (OSDT_CC_HI[7]) can be set to logic 1. This means that before the next character definition the

desired charcode must be written again, because the internal bit address does not longer match with the following character base address. Otherwise, if this bit is kept to logic 0, the internal bit address is continued over character boundaries allowing multiple bit-packed character transmission in a sequence. Only the last definition might need a manual masked writing in case of an address space overflow or if any needed data is present at higher charcodes.

To reduce the programming time for the font RAM, an auto-increment function is used internally so that an I²C-bus burst transmission can be used to transmit as many 8-bit data words as needed, even configuring all characters in one continuous burst. To allow this, the SAA6713H register auto-increment is re-addressing OSDT_CDEF after each write to OSDT_CDEF.

Any changes to the OSD text RAM definitions can also be made while the OSD is displayed. So the usable character set is only limited by the size of the external microcontrollers ROM. Just keep in mind that due to internal address calculation, the font size (OSDT_FR_X and OSDT_FR_Y) and the single colour start code (OSDT_SC_LO and OSDT_SC_HI) must be defined prior to any font definition, in order that the character data will not look disturbed.

XGA dual input flat panel controller

SAA6713H

7.14.2 OSD BITMAP

The OSD bitmap part can be used for displaying pixel based multicolour graphics along with the regular text based OSM (see Fig.22). Its display position can be defined anywhere in the picture (OSDB_PX and OSDB_PY) and like the OSD text it can be zoomed, flipped and rotated according to the settings within its control register OSDB_CTRL0. It is allowed to overlap with a displayed OSD text window if desired. In this event the bitmap_behind flag (OSDB_CTRL0[6]) defines whether the bitmap part appears on top or behind the OSD text information. Two separate alpha-blending values (bg_alpha and fg_alpha) define a blending value for the OSD bitmap and separate transparent flags provide the

possibility to define either the foreground or the background from transparent to solid. The display colours are again defined on a separate osd_bitmap palette inside the osd_colour definition page 9 so each pixel can use one of the defined 16 colours where bitmap colour 0 is always treated as background. The OSD bitmap uses an internal memory of 4 kbyte RAM in which the graphic pixels are stored (see Table 48). It can be parametrized freely in width (OSDB_SX), height (OSDB_SY) and colour depth (OSDB_CTRL1[6:5], bits per pixel) with the restriction that the needed memory size still fits into the 4 kbyte memory address space.

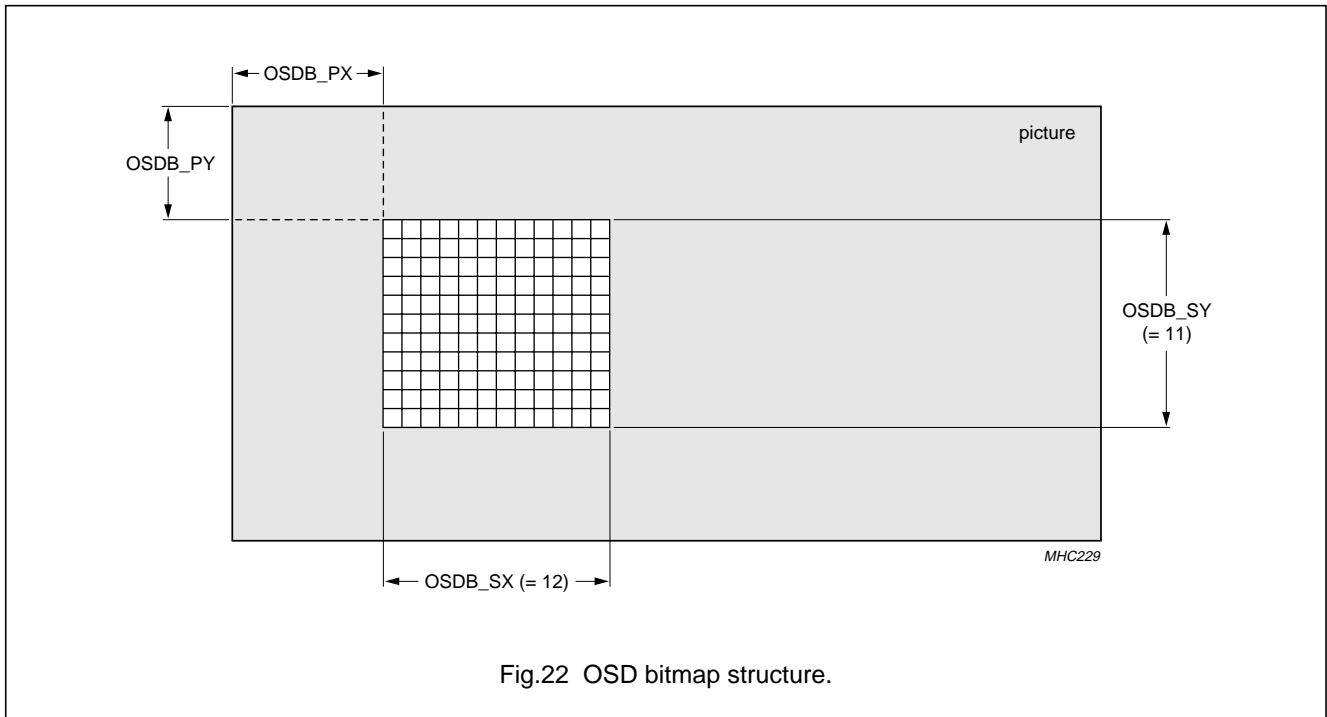


Fig.22 OSD bitmap structure.

Table 48 Bitmap RAM configurations; note 1

BPP CODE	USED BITS PER PIXEL	USED COLOURS	DISPLAYABLE PIXELS	EXAMPLE WINDOW SIZES (NOT ZOOMED)
00	1	2	32768	256 × 128; 181 × 181
01	2	4	16384	256 × 64; 128 × 128
1X	4	16	8192	256 × 32; 90 × 90

Note

- 1. X = don't care.

XGA dual input flat panel controller

SAA6713H

The access to the graphic memory is based on a masked writing with pixel exact addressing (see Fig.23) via the write cursor (OSDB_CX, OSDB_CY) always configuring 8 bits at a time (OSDB_DEF) with data being processed from left to right and top to bottom. Using the 8 corresponding mask bits (OSDB_MASK) any pixel within the OSD bitmap can directly be accessed and redefined without changing neighbouring pixel also during display time allowing software guided animations for fancy start-up screens. Both the OSDB_DEF and OSDB_MASK are always MSB aligned which means that bit 7 will be written to the pixel address that is referenced by the OSD bitmap cursor (OSDB_CX, OSDB_CY). Depending on the selected bitmap size and the number of colours to be used this pixel address will probably not be byte aligned but the user does not have to take care of any internal alignments. The next 8 bits that are written to OSDB_DEF will be written bit wise starting with the MSB from the given cursor location.

In order to speed up the OSD bitmap definitions the internal RAM address is incremented by 8 bits always when a write to OSDB_DEF happened. Together with a stop of the SAA6713H register auto-increment at this register, this allows a fast burst configuration of multiple pixel up to a complete OSD bitmap definition setting the cursor to (0,0), the mask to FFH and writing all needed

data bytes in a single burst. The number of needed byte transmissions is derived by multiplying the total number of pixels to be configured with the used bits per pixel and dividing this result by 8 bits. When overwriting parts of the bitmap image the user must handle the OSDB_MASK flags for the remaining bits that shall not overwrite any data by himself.

7.14.3 OSD POINTER

The OSD pointer icon is a four colour 32 × 32 pixel structure and is intended to be used as a cursor on top of an OSM (see Fig.24). It is very much alike the OSD bitmap part allowing individual positioning (OSDP_PX_HI, OSDP_PX_LO, OSDP_PY_HI and OSDP_PY_LO), zooming, flipping and rotating (OSDP_CTRL0) but will always be displayed on top of any OSD text or OSD bitmap window. It is fixed in its resolution and always uses 2 bits per pixel allowing 4 possible colours. Those colours are again definable via a palette in the OSD colour settings (register page 9) where colour 0 is always treated as background colour. The foreground and the background colours can be displayed from solid to almost transparent with an individual alpha-blending factor (OSDP_FGA and OSDP_BGA) or fully transparent using fg_trans and bg_trans flags inside the OSDP_CTRL1 register.

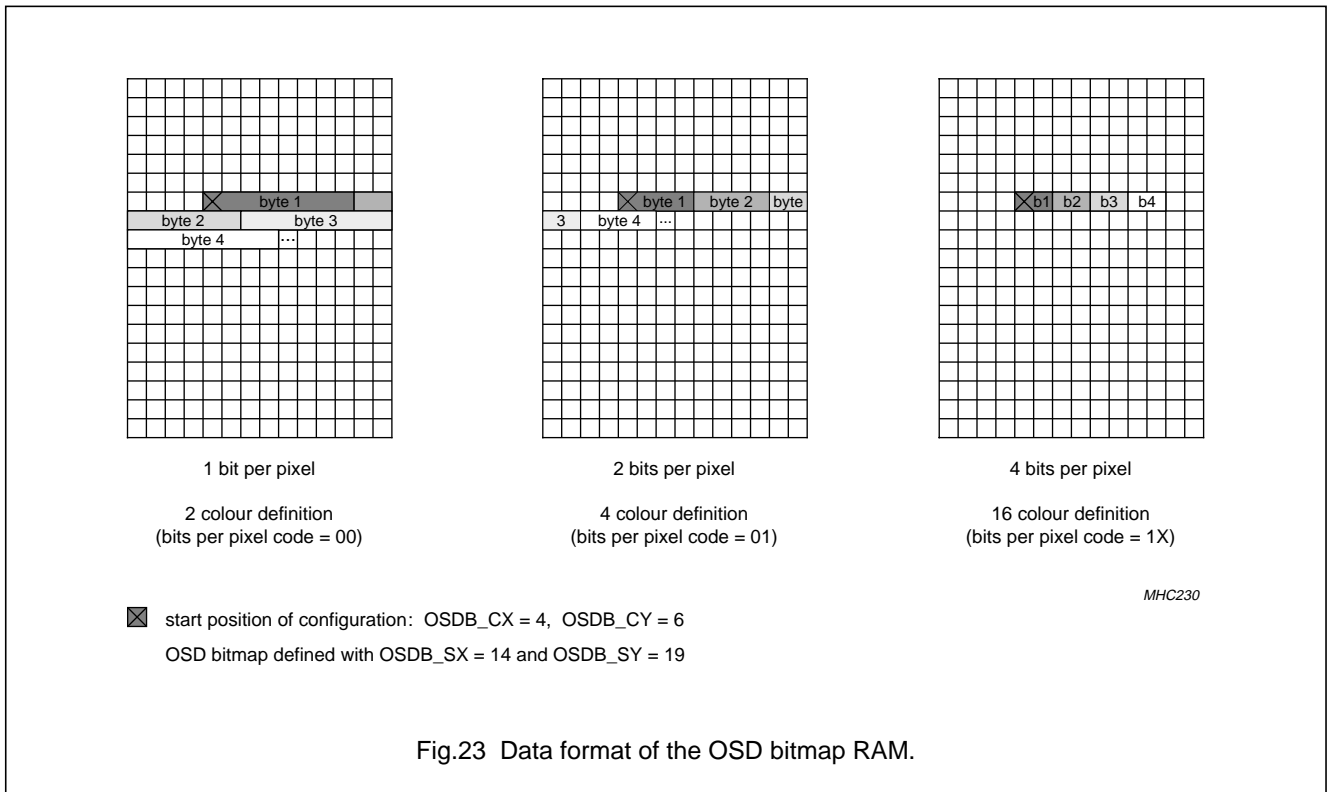


Fig.23 Data format of the OSD bitmap RAM.

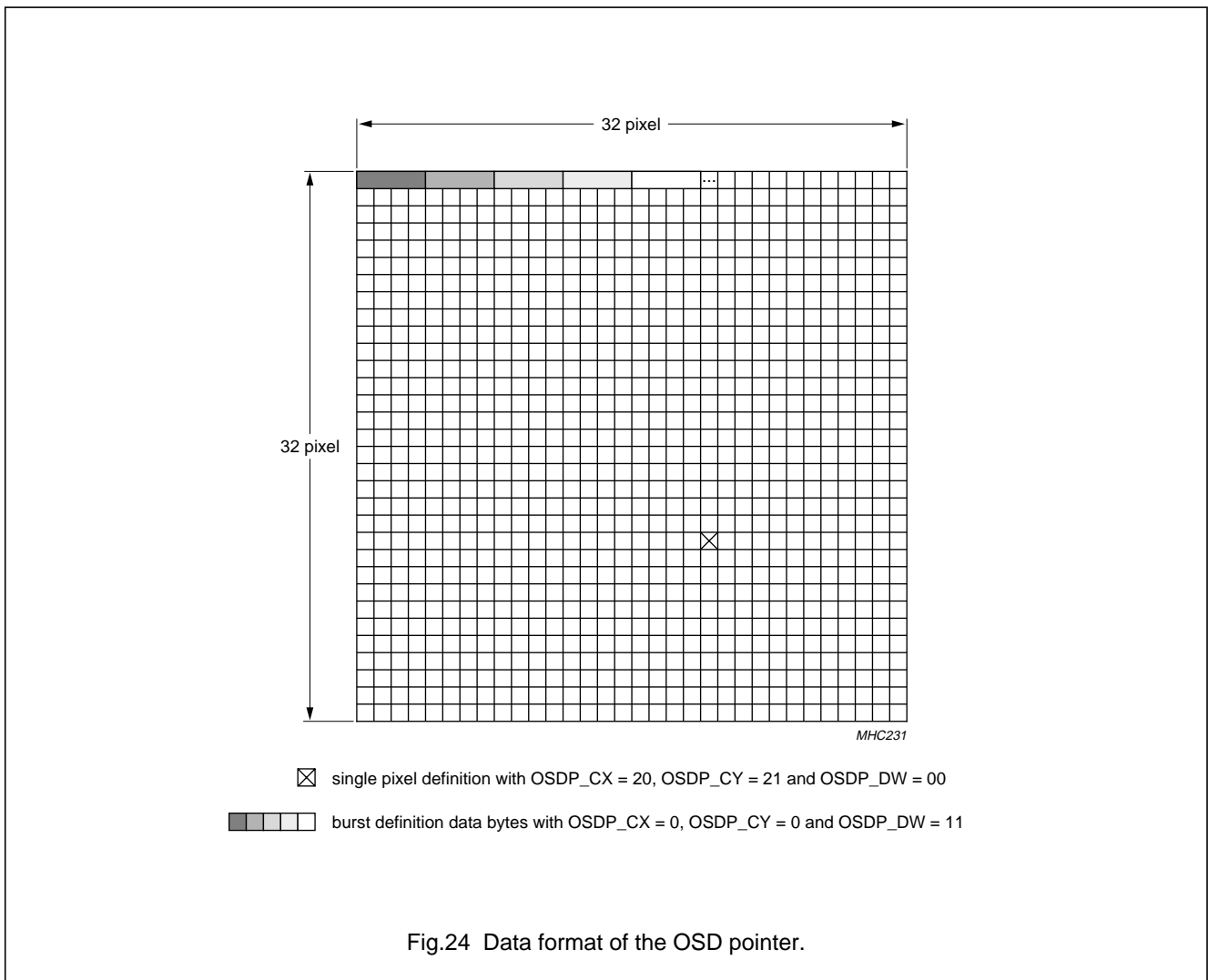
XGA dual input flat panel controller

SAA6713H

For animation purpose of the icon, it is double buffered and able to generate a frame based switching interrupt. The buffer to be displayed can either be selected manually via the buffer_sel flag (OSDP_CTRL0[6]) or can be switched automatically on each generated interrupt (OSDP_CTRL0[7]). During the display of one buffer all writes are redirected to the inactive buffer. The period of the animation interrupt can be adjusted with the OSDP_AD register that defines the number of frames between two interrupts. The interrupt generation itself can be enabled with the anim_int_en flag (OSDP_CTRL1[5]).

The definition of the OSD pointer RAM is similar to the definitions of the OSD bitmap RAM. The data is written MSB-aligned to the OSDP_DEF register using 2 bits per pixel. It is written starting from the pixel-exact coordinates given with the OSD pointer cursor (OSDP_CX and OSDP_CY). Instead of using a masked writing the

definition width giving the number of pixels that are used from the OSDP_DEF register and written from the given start position can be set via the OSDP_DW register. As in the preceding OSD units also the OSD pointer uses an auto-increment always setting the cursor to the following definition position on each write to OSDP_DEF where the increment is depending on the actual used defwidth. Together with stopped SAA6713H register auto-increment at OSDP_DEF, this allows a fast burst definition mode that needs 256 I²C-bus byte transmissions to define a complete pointer buffer (see Table 49).



XGA dual input flat panel controller

SAA6713H

Table 49 OSD pointer definition width

defwidth[1:0]	PIXELS TO BE DEFINED	USED BITS FROM OSDP_DEF	NEEDED TRANSMISSIONS FOR A COMPLETE BUFFER
00	1	7 and 6	1024
01	2	7 to 4	512
10	3	7 to 2	342
11	4	7 to 0	256

7.14.4 HOW TO USE OSD

7.14.4.1 How to create a simple single colour OSD text

1. Define the desired font size you want to use (OSDT_FR_X and OSDT_FR_Y).
2. If RAM font is needed: set OSDT_SC to logic 0, set OSDT_CC_HI to logic 0, set OSDT_MASK to FFH and define as many characters as wished by sending the needed number of data bytes to OSDT_CDEF preferable using an I²C-bus burst transmission.
3. Define the OSD text window size (OSDT_WX and OSDT_WY), set the cursor to OSDT_CURX = 0 and OSDT_CURY = 0.
4. Set OSDT_MASK to FFH forcing all data to be written, all data to be configured.
5. Define the window content by all three OSDT_PROP registers defining the attributes, colours and charcodes. Use an I²C-bus burst transmission to speed up the programming.
6. Set the desired position and orientation and enable the OSD text with text_on flag that resides in OSDT_CTRL0.

7.14.4.2 How to make changes to a displayed OSD text

1. Just set the cursor to the desired position and set the desired mask and write mode.
2. Overwrite the character by writing the new OSDT_PROP registers defining new attributes, colours or charcodes.

7.14.4.3 How to create fade-in and fade-out effects

1. Define the desired elements of the OSD text window to be alpha-blended.
2. Modify the values of OSDT_BGA every few frames in the desired direction by a certain value.

7.14.4.4 How to display a company logo

1. Define the OSD bitmap part in the needed resolution and the available colour depth.
2. Set the OSDB cursor to 0,0; set OSDB_MASK to FFH.
3. Send all needed bytes with the correct used bits per pixel to OSDB_DEF register, preferable in a burst sequence and turn the OSD bitmap on.

7.14.4.5 How to use pointer animation

1. Set the OSDP cursor to 0,0 and OSDP_DW to '11'.
2. Define the desired animation speed via OSDP_AD, enable the pointer animation interrupt and enable automatic switching.
3. On each interrupt send a 256 byte burst containing the next picture of the animations to OSDP_DEF. It should be noted that this must be finished before the next interrupt arrives.

7.14.4.6 Remarks on the configuration of the OSD

The three OSD parts can be used independently. If all three parts are turned off, the whole OSD module will be bypassed and clocked down to reduce the power consumption.

Most of the registers of the OSD can be reprogrammed during processing except some needed definition parameters e.g. the resolution and sizes that need to be defined at start-up in order to guarantee correct address calculations.

Before defining the font RAM a valid font size, a valid charcode and a valid sc_startcode must be defined. A burst definition with new address calculations to the OSD font RAM is only possible either in the multicolour or the single colour area of the memory. So if both areas are to be defined you should define the RAM in two bursts, one for the multicolour and one for the single colour characters. With some effort it is of course possible to write down a user-packed byte burst to speed up the software init that includes all the multicolour and single colour information and create the corresponding font size afterwards.

XGA dual input flat panel controller

SAA6713H

If something is not displayed as expected, you should carefully check the write mode. Data will only be accepted when all of the corresponding OSDT_PROP registers are written.

To speed up clears or highlighting, the areafill function should be used. By setting the areafill_start bit, an area of the text window within the defined area boundaries is overwritten using the actual settings of OSDT_PROP[2:0] registers and the OSDT_MASK register.

The text shadow is generated over the whole OSD and just displayed in the enabled characters. So it is **not** character bound. This means that a neighbouring 'non-shadowed' character can throw part of its shadow in the shadow allowed character. Also the text shadow is only able to work correct if the whole OSD is inside the picture boundaries and will be turned off automatically if this is not the case. The generated shadow is treated as background, so the shadow is alpha-blended with the background alpha-blending factor, but the shadow is **never** displayed transparent.

During any configuration with the cursors in either the OSD window or one of the pixel addresses be aware that the cursor will 'wrap around' if the calculated address exceeds the physical memory address space.

7.15 Colour look-up table

The colour look-up table unit (or gamma correction unit) performs gamma correction and colour component brightness and contrast adjustment. Each 8-bit RGB component value is mapped to a programmable 10-bit value by using it as an index for a look-up table that returns the corresponding image value. The colour components are processed by three independent tables.

The output value for each index value is programmed by writing the 8-bit index to register CL_INDEX and then programming registers CL_VALUE_HI (02H) and CL_VALUE_LO (03H) with the 10-bit image value. Each of the three look-up tables is individually activated for programming by setting red_prog, geen_prog or blue_prog respectively to logic 1.

The activated tables are updated with the new value pair when the lower byte of CL_VALUE_LO (03H) was written. To support quick programming of consecutive values, the index value is incremented after every completed write, so CL_INDEX does not have to be reprogrammed for every data pair. Also the I²C-bus subaddress auto-increment is overridden when writing to CL_VALUE_LO. Instead the subaddress for the next write is determined according to register CL_CTRL. If quick_prog is set logic 0 the

subaddress for the next write is set back to 02H (CL_VALUE_HI); otherwise it remains 03H (CL_VALUE_LO), which allows sequential writes of the lower byte only.

As the look-up tables can only be either written or read at the same time, during write operations with activated colour look-up the tables are bypassed. To avoid any influence on the output picture, write_hsynced can be set to logic 1 to update the look-up tables only during horizontal blanking, which slows down programming speed.

Colour look-up is enabled by setting cc_on to logic 1; otherwise the colour look-up tables are in bypass mode and the image values consist of the original value in the upper eight bits and both LSBs are set to logic 0. Programming of the look-up tables is possible in bypass mode or during data processing.

7.16 Dithering unit

The dither unit improves the visual quality of displays with only 6-bit or 8-bit physical colour resolution to a virtual colour depth of 10 bits. This is achieved through temporal variation of the physically possible colour values. To reduce artefacts of the temporal variation neighbouring pixels follow different sequences of variation. The dithering unit registers are mapped to page 10, registers 80H to 83H.

Dithering is switched on if dither_bypass is set to logic 0; otherwise the dithering unit is bypassed. The colour depth of the target display is selected by dither_out_bits. For an 8-bit panel dither_out_bits is set to logic 1; for a 6-bit panel the programming bit is set to logic 0.

Bits dither_idx_ofs_reg[2:0] give a choice of variation sequences (see Table 50). Best quality is expected for most displays with the setting random.

Table 50 Dithering sequences; note 1

dither_idx_ofs_reg[2:0]	SEQUENCE
000	constant zero
001	2 × 2 Bayer
010	4 × 4 Bayer
011	5 × 5 special
1XX	random

Note

1. X = don't care.

XGA dual input flat panel controller

SAA6713H

Additionally, the unit adds LSB noise to the 10-bit colour values from the colour look-up table, when enabled by `dither_add_noise = 1`, which improves visual display quality of certain 10-bit displays (e.g. plasma displays). The noise includes only one LSB if `dither_noise_mag` is set to logic 0; otherwise two LSBs.

Configuration parameters `dither_colmap`, `dither_rand_mono` and `dither_rand_mode` are for test purposes and should be left in their reset values.

7.17 Output interface

The Output Interface (OIF) provides picture data and command signals to the display. Programming the output interface, the output frame geometry can be defined. As most displays require continuous data stream during one frame or line, it is possible to define wait points. There are different possibilities how to map the RGB data to the output ports PA to PF.

The SAA6713H does not have particular output ports for panel signals VSYNC, HSYNC or DE. Instead, there are in total 10 Configurable Signal Generator (CSG) outputs which are driven by free programmable CSGs.

All output interface programming registers are mapped to the I²C-bus configuration register page 11.

7.17.1 DEFINITION OF THE OUTPUT FRAME GEOMETRY

The total output frame area (main frame) is defined by `blank_line_length` and `last_line` (registers `OI_FX` and `OI_FY`). It consists of the visible data (active frame) and the invisible data (blanking); see Fig.25 and Table 51.

The active frame is divided into border and picture area. The picture area includes the data from the input stream. The border area is around the picture area. If no border is needed, the register values of picture and active area have to be equal. The active frame can be put anywhere inside the main frame except in the first row or in the first column of the main frame.

The geometric values for the frames/areas depend on the display and the timing. If the picture values are not correct data may be lost or missing data will be replaced by border colour. The serial output begins in the upper left corner of the main frame in row 1 and column 1. The active frame starts in row `active_start_y` and in column `active_start_x` (point a in Fig.25). Values 0 are not allowed and the active frame or the picture area cannot start in column one. The picture area has to be contained in the active frame, at maximum it may be identical to the active frame.

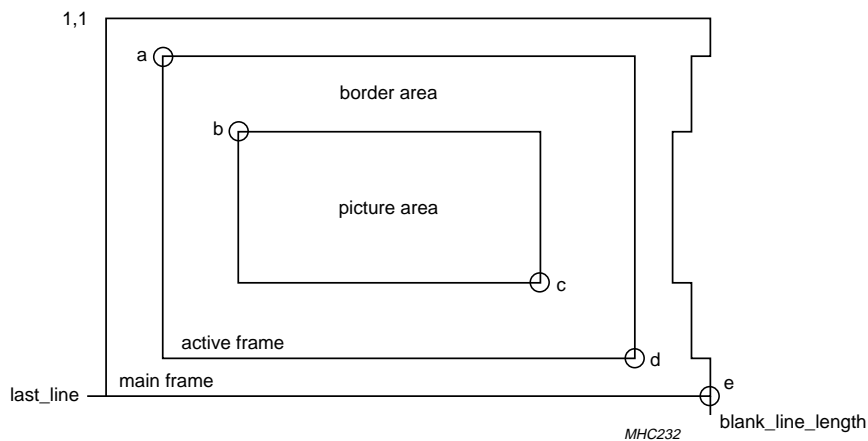


Fig.25 Output frame set-up.

XGA dual input flat panel controller

SAA6713H

Table 51 Programmable geometric values

POINT	HORIZONTAL	VERTICAL
a	active_start_x (OI_ASX)	active_start_y (OI_ASY)
b	picture_start_x (OI_PSX)	picture_start_y (OI_PSY)
c	picture_end_x (OI_PEX)	picture_end_y (OI_PEY)
d	active_end_x (OI_AEX)	active_end_y (OI_AEY)
e	blank_line_length (OI_FX)	last_line (OI_FY)

To make timing adaption of output to input frame easier, each area has its own line length, i.e. the blanking behind the border area can be freely adjusted. As some panels are sensitive to different line lengths, they should differ as little as possible. All line length values have to be greater or equal to active_end_x. Parameter active_end_x must be greater or equal to picture_end_x. The according programming registers are listed in Table 52.

Border and blanking colour are freely programmable as described in Table 53.

Table 52 Line length values

AREA	LINE LENGTH
Blanking	blank_line_length (OI_FX)
Border	active_line_length (OI_ALX)
Picture	picture_line_length (OI_PX)

Table 53 Border and blanking colour

AREA	REGISTER
Blanking	OI_BLC_R, OI_BLC_G and OI_BLC_B
Border	OI_BOC_R, OI_BOC_G and OI_BOC_B

XGA dual input flat panel controller

SAA6713H

7.17.2 WAIT MODES

It is not necessary to match the output timing exactly to the input timing. The output timing can be a little faster. In this event it may happen that no valid data is available at the OIF. As the output stream to the panel should not be interrupted during the output of a frame or line, a line wise and a frame wise wait mode is available.

The wait_column (register OI_WX) has to be programmed. During output of lines inside the picture area, the output stream stops at this defined wait_column and waits until

new picture data is available. If fieldwise wait mode is programmed, the output only stops at the wait_column of the first line of the picture area. The wait_column must be located in front of the active area (see Fig.26). Additionally, there is a free-running mode without any wait point.

The wait modes are programmed in register OI_WM according to Table 54.

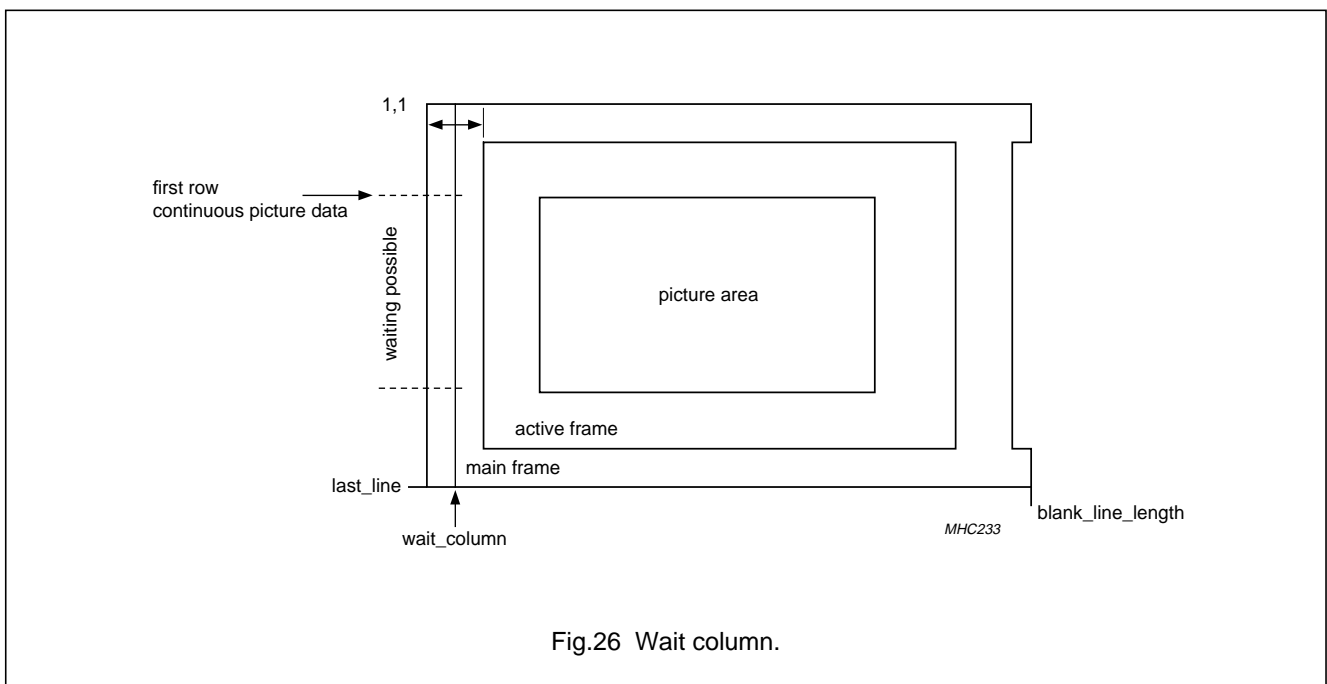


Fig.26 Wait column.

Table 54 Wait modes

wait_mode[1:0]	MODE	ACTION
11	free-running	no waiting
10		
01	row stop	waiting in each row of picture area
00	one stop	waiting in first row of picture area once each frame

XGA dual input flat panel controller

SAA6713H

7.17.3 DATA TO OUTPUT MAPPING

Each colour of each pixel is handled separately. In double pixel mode there are 6 bytes (red, green and blue of pixel 0 and pixel 1 from which pixel 0 arrives first). In single pixel mode there are 3 bytes (red, green and blue of pixel 0). Each of the six output ports (see Fig.27) can be connected to each colour and can be inverted, swapped and aligned to the MSB (sensible to drive 6-bit panels).

Registers OI_B0R, OI_B0G, OI_B0B, OI_B1R, OI_B1G and OI_B1B have to be programmed according to Table 55.

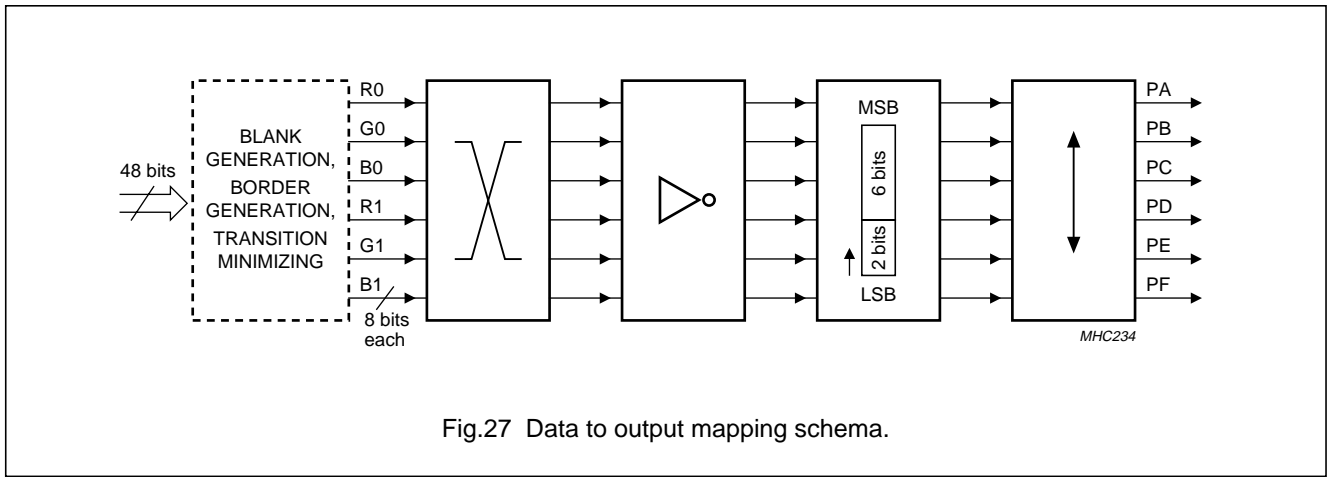


Fig.27 Data to output mapping schema.

Table 55 Data to output mapping; note 1

BIT	FUNCTION	ACTION
MSB_align	alignment	If this bit is set to logic 1, then the lower 6 bits are aligned to MSB.
swap	swapping	If this bit is set to logic 1, then swap [7:0] to [0:7]; LSB becomes MSB.
inv	inversion	If this bit is set to logic 1, then bit wise inversion of the colour component.
port_x_conf[2:0]	allocation	Output port Px gets data byte with 6 bytes in double pixel mode or 3 bytes in single pixel mode (for x = A to F): 11X: 0R 101: 0G 100: 0B 01X: 1R 001: 1G 000: 1B

Note

- 1. X = don't care.

XGA dual input flat panel controller

SAA6713H

7.17.4 CONFIGURABLE SIGNAL GENERATORS

There are 10 configurable signal generators available. The functionality is particularly designed to drive displays directly without the use of a Timing Controller (TCON). For operation with hsync, vsync and data enable only three generators are needed.

All CSGs have the same basic structure (see Fig.28). There are two programmable action points: the start point (a) and the end point (b). The start point describes the upper left corner of the operation window. The end point describes the lower right corner. When the row and line counter values of the output interface are equal to the action point values, the output becomes HIGH or LOW according to the set-up. The possible actions for the start point are set or toggle and for the end point reset or toggle. The output signal can be inverted additionally.

Two modes are available: frame or line based. In frame based mode the signal only changes in the upper, left and the lower, right corner of each frame. In line based mode the signal changes every line at the beginning and at the end of the operation window. It is also possible to use just one action point, e.g. to toggle the output each line or just once in a frame. To disable an action point a logic 0 has to be programmed to the y-value.

CSG0 and CSG1 are driven by two separate signal generators (CSG0A or CSG0B and CSG1A or CSG1B respectively) allowing a more complex signal to be generated.

The operation window upper left corner (a) is defined by the OI_GxSX and OI_GxSY registers and the lower right corner (b) is described by the OI_GxEX and OI_GxEY registers (x out of 0 to 11). The action is defined by programming the configuration register OI_GxC. The corners (a and b) of the operation window are the action points. In each action point the output signal is modified as described in the configuration register. At the first action point (a) the output will be set or toggled. At the second action point (b) the output signal will be reset or toggled again.

Example: In order to define a DE signal, the CSG window is set to the active area. Bit frame or bit line of the concerned CSG control register is set to line mode and the CSG signal is set to logic 1 at point 1 and set to logic 0 at point 2 (see Figs 29 and 30).

Important programming hint: The horizontal start values (x-values) of the action points describe the offset from the beginning of the line. If you want to start e.g. CSG0 at (2,3) you have to program the values (1,3). If you want to stop the signal after (12,14) you have to program the values (12,14) so the signal changes its value at the end of position 12 (edge to position 13). An offset of 0 is not allowed. Avoid using the same column as wait column.

There are 4 groups of CSGs. The CSGs of each group have some other additional features.

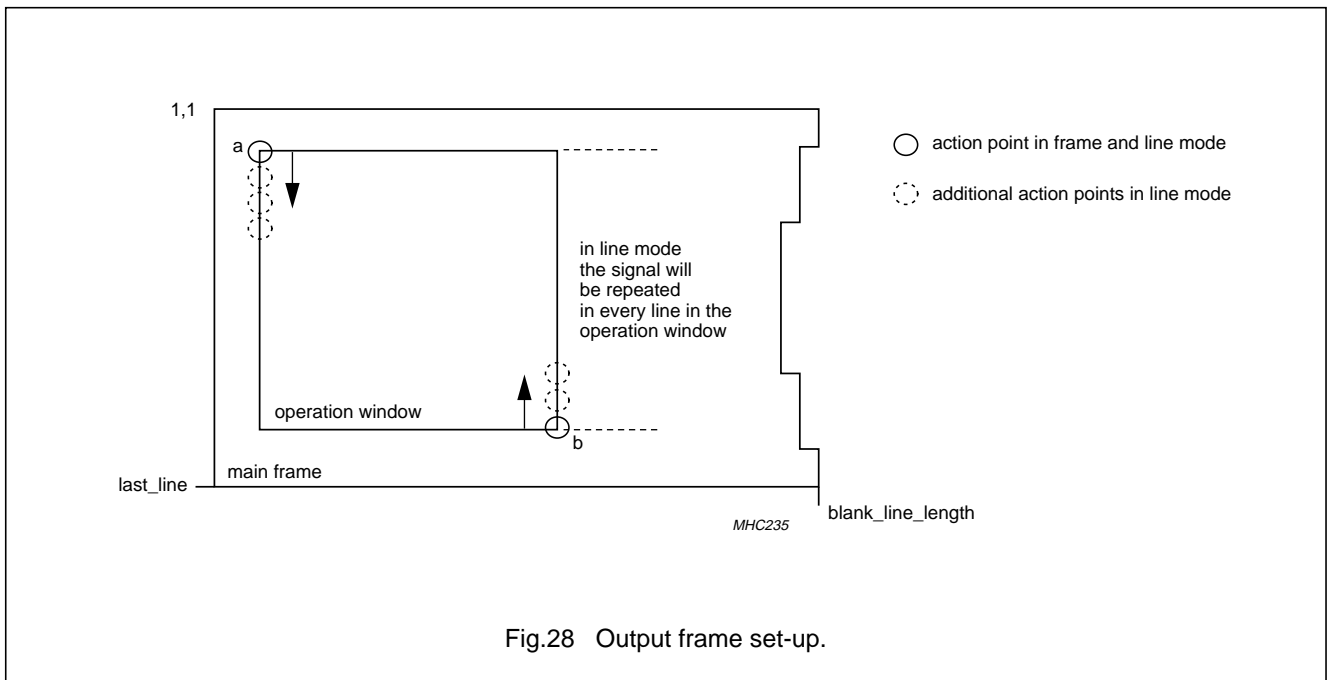


Fig.28 Output frame set-up.

XGA dual input flat panel controller

SAA6713H

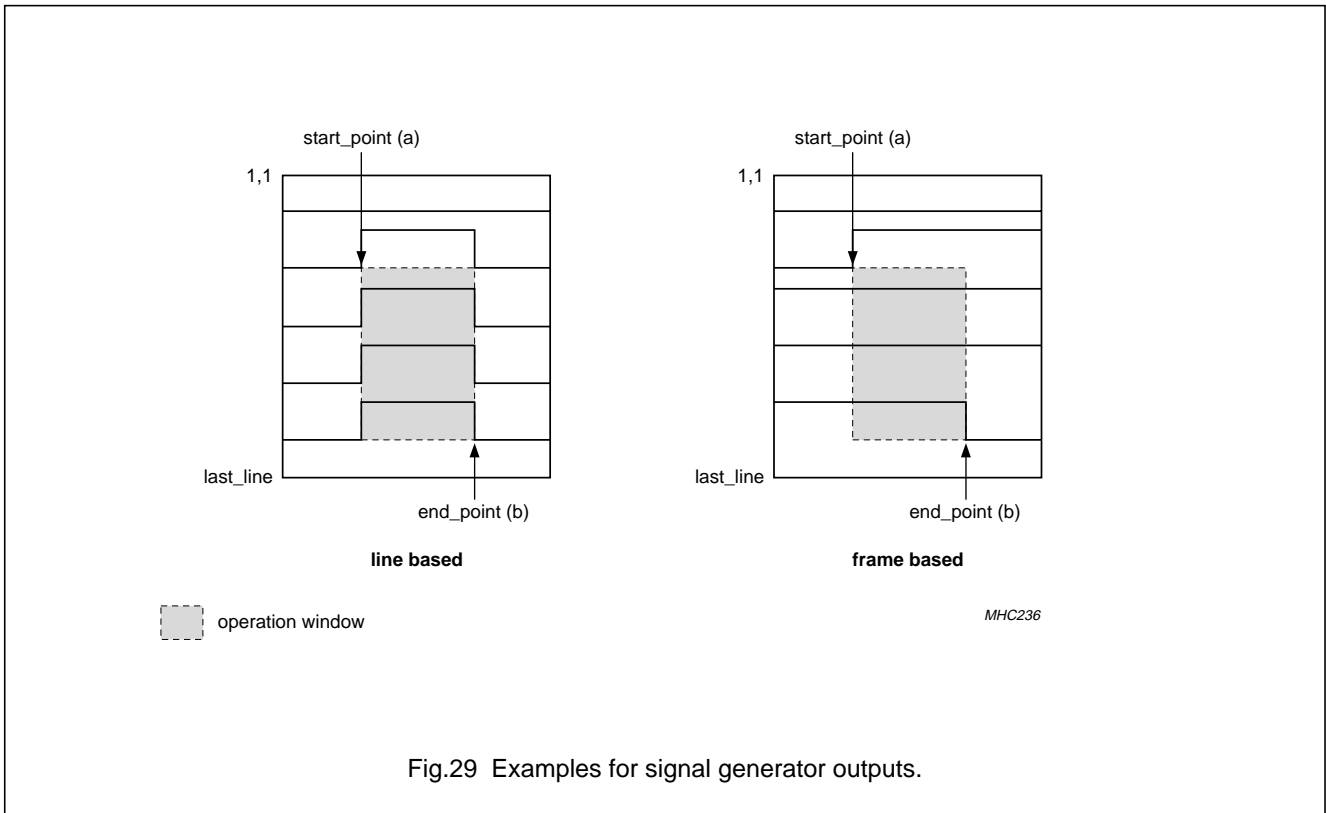


Fig.29 Examples for signal generator outputs.

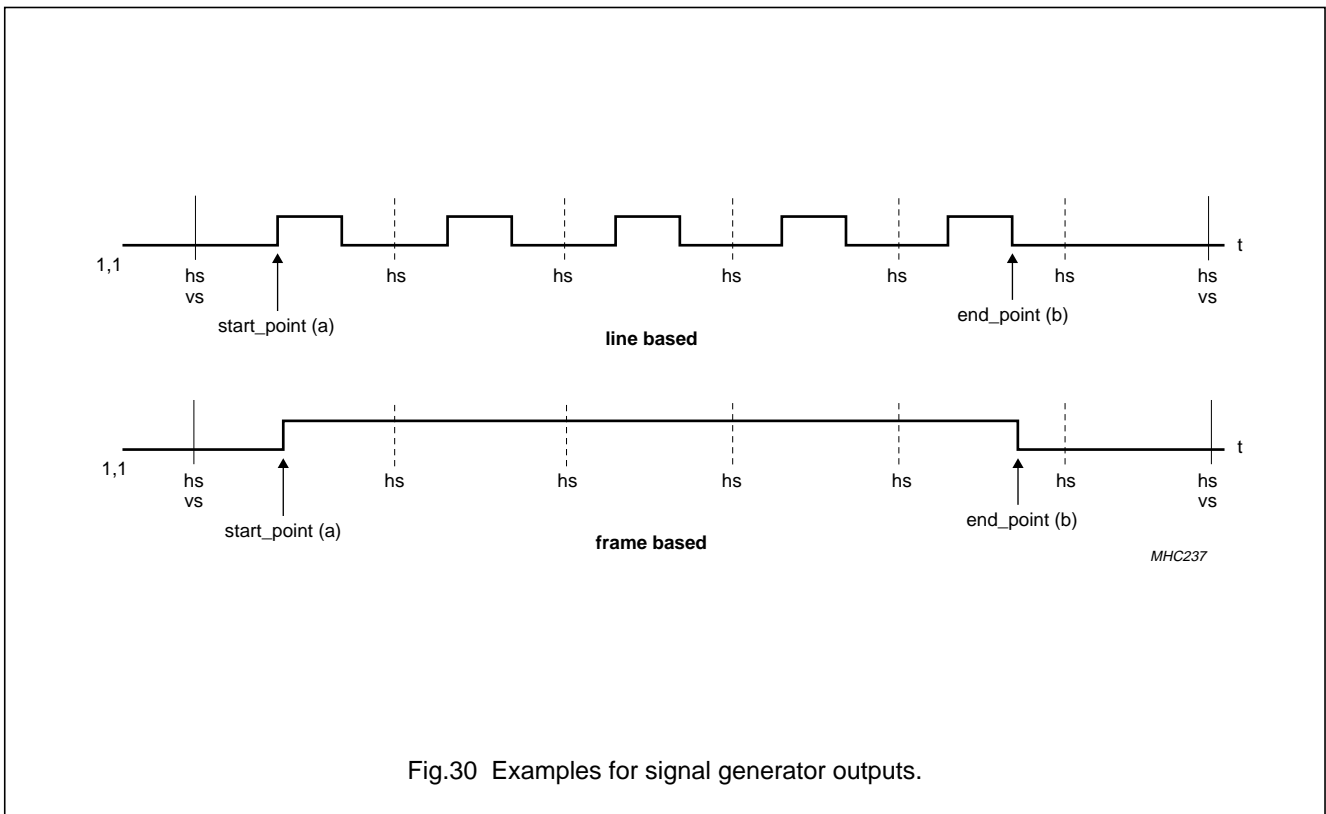


Fig.30 Examples for signal generator outputs.

XGA dual input flat panel controller

SAA6713H

7.17.5 SPECIAL FEATURES AND CSG GROUPS

7.17.5.1 CSG0 and CSG1

These CSGs are two CSGs with one output (see Fig.31). They are splitted in CSGXa and CSGXb. The a and b part are equal and the programming is as two separated CSGs. So one can generate signals with four events each line/frame.

7.17.5.2 CSG2 to CSG5

Normal CSGs with two action points. Additionally, CSG2 plus CSG3 and CSG4 plus CSG5 can cooperate like CSG0/1 a/b on outputs CSG3 and CSG5.

7.17.5.3 CSG6 and CSG7

No special or additional features. Two action points.

7.17.5.4 CSG8 and CSG9

These CSGs have an additional action point. The signal can be set, reset or toggled in this point. The execution of action point 0 can be depressed only in line mode for every second line. The execution of action point 1 and 2 is not influenced by skip_mode.

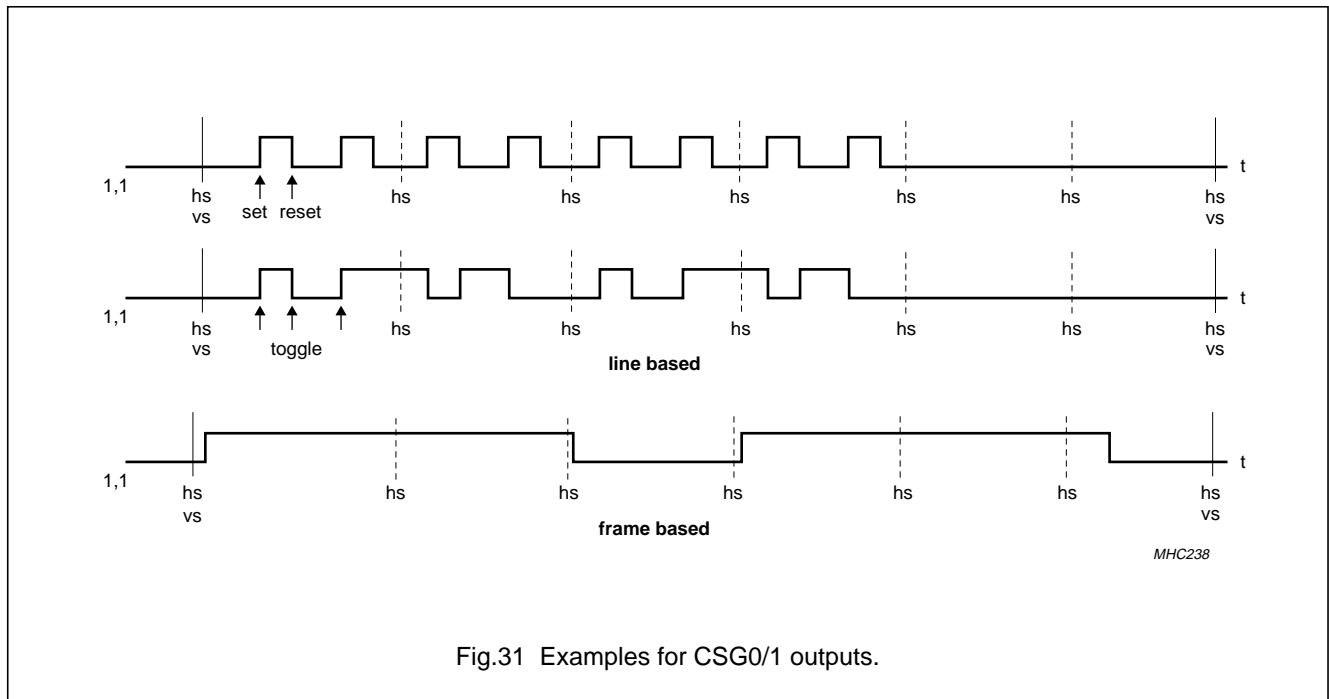


Fig.31 Examples for CSG0/1 outputs.

XGA dual input flat panel controller

SAA6713H

7.17.6 TRANSITION MINIMIZING

The transition minimizing programming is done in the OI_CTRL0 register in the OIF. This section describes how the OIF pixel input operates with INVA and INVB outputs for various values of ivsl0 and ivsl1 (register OI_CTRL0). All modes are designed for double pixel handling.

7.17.6.1 Bit ivsl0 = 1 and bit ivsl1 = 0

INVA operates with input pixel 0 (means the first of a couple). This inversion operation considers a total of 18 bits: the 6 high order bits of each colour component of input pixel 0 (R2 to R7, G2 to G7 and B2 to B7). The input data of time (n - 1) is compared to the data at time n. If 10 or more bits within the 18 bits have changed from LOW to HIGH or from HIGH to LOW, then INVA toggles between HIGH and LOW: if INVA was HIGH at (n - 1) it goes LOW, and if it was LOW at (n - 1), it toggles HIGH. If 9 or fewer bits within the 18 bits have changed from HIGH to LOW or from LOW to HIGH, then INVA does not toggle. When INVA is HIGH, all bits (24 bits) of pixel 0 to output (means data before 'data to output mapping') are inverted.

INVB operates with input pixel 1 (means the second of a couple). This inversion operation considers a total of 18 bits: the 6 high order bits of each colour component of input pixel 1 (R2 to R7, G2 to G7 and B2 to B7). The input data of time (n - 1) is compared to the data at time n. If 10 or more bits within the 18 bits have changed from LOW to HIGH or from HIGH to LOW, then INVB toggles between HIGH and LOW: if INVB was HIGH at (n - 1), it goes LOW, and if it was LOW at (n - 1), it toggles HIGH. If 9 or fewer bits within the 18 bits have changed from HIGH to LOW or from LOW to HIGH, then INVB does not toggle. When INVB is HIGH, all bits (24 bits) of pixel 1 to output are output inverted.

7.17.6.2 Bit ivsl0 = 1 and bit ivsl1 = 1

INVA and INVB both operate with input pixel 0 and 1. This inversion operation considers a total of 36 bits, the 6 high order bits of each colour component of pixel 0 and 1 (0R2 to 0R7, 0G2 to 0G7, 0B2 to 0B7, 1R2 to 1R7, 1G2 to 1G7 and 1B2 to 1B7). The input data of time (n - 1) is compared to the data at time n. If 19 or more bits within the 36 bits have changed from LOW to HIGH or from HIGH to LOW, then both INVA and INVB toggle between HIGH and LOW. When INVA and INVB are HIGH at (n - 1), they go LOW, and when they are LOW at (n - 1), they toggle HIGH. If 18 or fewer bits within the 36 bits have changed from HIGH to LOW or from LOW to HIGH, then INVA and INVB do not toggle. When INVA and INVB are both HIGH, all bits (48 bits) are inverted.

Because there is no previous data for the first data in every column (horizontal period), the above noted toggle operations for INVA and INVB, as well as the data inversion operations are not performed. In the event of first data output of every column, INVA and INVB are set to LOW, and data is not inverted.

7.17.6.3 Bit ivsl0 = 0 and bit ivsl1 = 0

For input pixel, data inversion is similar to when ivsl0 = 1, ivsl1 = 0, with input pixel 0 and 1 being separated, and the outputs being driven according to the results of calculations.

For INVA and INVB signals, the calculations are similar to when ivsl0 = 1, ivsl1 = 0, but the INVA and INVB outputs are driven as logical opposites.

7.17.6.4 Bit ivsl0 = 0 and bit ivsl1 = 1

The INVA and INVB signals are always driven LOW and data inversion operations are not performed.

7.17.7 BACKGROUND AND EMERGENCY FRAME GENERATOR

The output interface includes a simple frame generator. It may be useful when the front-end receives no signal, so no front-end clock is available. The generated frame has the same dimensions as the picture area. The frame colour is programmable (OI_FCx). The on screen display is still working. The generator may be switched on via the OI_FC_EN register.

XGA dual input flat panel controller

SAA6713H

7.17.8 GLOBAL CONTROL

The output interface has four global modes, which can be programmed with bits `OI_enable`, `power_down` and `blank_mode` (register `OI_CTRL0`) according to Table 56.

The blank colour is programmable via bits `blank_colour_red`, `blank_colour_green` and `blank_colour_blue`.

Table 56 Global modes; note 1

<code>OI_enable</code>	<code>power_down</code>	<code>blank_mode</code>	MODE	ACTION
1	0	1	blank	all colours replaced by blank colour values
X	1	X	Power-down	all registers set to default, like soft reset; all outputs LOW
0	0	X	disable	all outputs reset but incoming data queued to trash
1	0	0	normal	normal operation

Note

1. X = don't care.

7.17.9 PANEL CLOCK

The output interface can handle single and double pixel mode (bit `double_pixel` in register `OI_CTRL1`). In single pixel mode one pixel (24 bits) is available each cycle at the output ports. The panel clock `PCLK` is the same as the back-end clock. In double pixel mode 2 pixels (48 bits) are available at the output ports. The `PCLK` in double pixel mode changes every second cycle of the back-end clock. The panel clock polarity can be inverted by setting `PCLK_pol` of register `OI_CTRL1` to logic 1. At the beginning of each frame the `PCLK` is synced again. It is very important that the number of pixels in a double pixel frame is even.

The horizontal sync signal of the selected video input sources (DVI or VGA) may be used as a reference clock for the panel PLL (see Table 57). This allows more stable locking of the panel timing to the source timing. In this mode the PLL will be 'coasted' during vertical sync when a composite sync or sync-on-green is enabled (`iif_cs_sog_en` = 1).

Table 57 Panel PLL

<code>pll_src</code>	FUNCTION
0	pre-divided clock
1	HS_PLL (<code>iif_dvi_on</code> = 0) or HS_DVI (<code>iif_dvi_on</code> = 1)

7.17.10 HOW TO START THE OUTPUT INTERFACE

Table 58 Starting output interface

STEP	ACTION
1	set-up frame geometry
2	set-up signal generators
3	set-up wait column and wait mode
4	set-up <code>PCLK</code> and pixel mode
5	enable output interface

XGA dual input flat panel controller

SAA6713H

7.17.11 PROGRAMMABLE OUTPUT DRIVE STRENGTH

For all data and control signals of the output interface (PA[7:0], PB[7:0], PC[7:0], PD[7:0], PE[7:0], PF[7:0], CSG[9:0], INVA, INVB, OUTEN and PWM) a programmable output drive strength up to 15 mA is provided (in 8 steps and starting at 2.9 mA); see Table 59.

For the PCLK output, a programmable output drive up to 30 mA is provided (in 8 steps and starting at 5.8 mA); see Table 59.

Individual drive strength programming is possible for each 8-bit group of data signals (see Table 60). The drive strength of control and clock signals are programmable individually. This is necessary to drive the multiple source and gate drivers directly.

Table 59 Programmable drive strength

DS2	DS1	DS0	DATA AND CONTROL OUTPUTS (mA)	PCLK OUTPUT (mA)
0	0	0	2.9	5.8
0	0	1	3.4	6.8
0	1	0	4	8
0	1	1	5	10
1	0	0	6	12
1	0	1	8	16
1	1	0	11	22
1	1	1	15	30

Table 60 Output interface drive strength

BIT	DESCRIPTION	REMARK
pin_drv_inva[2:0]	output drive strength for INVA	from 2.9 mA (reset) to 15 mA; see Table 59
pin_drv_invb[2:0]	output drive strength for INVB	
pin_drv_pa[2:0]	output drive strength for PA	
pin_drv_pb[2:0]	output drive strength for PB	
pin_drv_pc[2:0]	output drive strength for PC	
pin_drv_pd[2:0]	output drive strength for PD	
pin_drv_pe[2:0]	output drive strength for PE	
pin_drv_pf[2:0]	output drive strength for PF	
pin_drv_csg0[2:0]	output drive strength for CSG0	
pin_drv_csg1[2:0]	output drive strength for CSG1	
pin_drv_csg2[2:0]	output drive strength for CSG2	
pin_drv_csg3[2:0]	output drive strength for CSG3	
pin_drv_csg4[2:0]	output drive strength for CSG4	
pin_drv_csg5[2:0]	output drive strength for CSG5	
pin_drv_csg6[2:0]	output drive strength for CSG6	
pin_drv_csg7[2:0]	output drive strength for CSG7	
pin_drv_csg8[2:0]	output drive strength for CSG8	
pin_drv_csg9[2:0]	output drive strength for CSG9	
pin_drv_pwm[2:0]	output drive strength for PWM	from 5.8 mA (reset) to 30 mA; see Table 59
pin_drv_outen[2:0]	output drive strength for OUTEN	
pin_drv_pclk[2:0]	output drive strength for PCLK	

XGA dual input flat panel controller

SAA6713H

7.17.12 ADJUSTABLE OUTPUT DELAYS

Every output pin, except pin PWM, can be delayed. The delay increment is 0.36 ns. The programming value is 5-bit wide (see Table 61).

Table 61 Data to output mapping

REGISTER	BIT	OUTPUT
OI_INVA_DEL	inversion_A_pin_delay[4:0]	INVA
OI_INVB_DEL	inversion_B_pin_delay[4:0]	INVB
OI_PAD	pin_delay[4:0]	PA
OI_PBD	pin_delay[4:0]	PB
OI_PCD	pin_delay[4:0]	PC
OI_PDD	pin_delay[4:0]	PD
OI_PED	pin_delay[4:0]	PE
OI_PFD	pin_delay[4:0]	PF
OI_CTRL1	PCLK_pin_delay[4:0]	PCLK
OI_G0BD	pin_delay[4:0]	CSG0
OI_G1BD	pin_delay[4:0]	CSG1
OI_G2D	pin_delay[4:0]	CSG2
OI_G3D	pin_delay[4:0]	CSG3
OI_G4D	pin_delay[4:0]	CSG4
OI_G5D	pin_delay[4:0]	CSG5
OI_G6D	pin_delay[4:0]	CSG6
OI_G7D	pin_delay[4:0]	CSG7
OI_G8D	pin_delay[4:0]	CSG8
OI_G9D	pin_delay[4:0]	CSG9

7.17.13 PULSE WIDTH MODULATION

A pulse width modulated signal can be generated for brightness control of the panel. The pulse width and the pre-divider value can be programmed. The PWM can be synced with the h-gate. The logical polarity can be inverted.

The PWM runs with the system clock and can be divided by the pre-divider. A period depends on 256 cycles.

The configuration registers for the PWM are OI_PWM0 and OI_PWM1.

7.17.14 RESET BEHAVIOUR

A hardware reset forces all true bidirectional pins (PAX, PBx, PCx, VCLK, VSYNC, SDA and HSDA) to input. Their output functionality must be explicitly invoked by software. CSG2/A0 and CSG4/A1 are input during the hardware reset for latching in the configuration data and switched to output immediately after hardware reset.

8 BOUNDARY SCAN TEST

The SAA6713H has built-in logic and 5 dedicated pins to support boundary scan testing which allows board testing without special hardware (nails). The SAA6713H follows the "IEEE Std. 1149.1 - Standard Test Access Port and Boundary-Scan Architecture" set by the Joint Test Action Group (JTAG) chaired by Philips.

The 5 special pins are: Test Mode Select (TMS), Test Clock (TCK), Test Reset ($\overline{\text{TRST}}$), Test Data Input (TDI) and Test Data Output (TDO).

The Boundary Scan Test (BST) functions BYPASS, EXTEST, INTEST, SAMPLE, CLAMP and IDCODE are all supported (see Table 62). Details about the JTAG BST-TEST can be found in the specification "IEEE Std. 1149.1".

A file containing the detailed Boundary Scan Description Language (BSDL) description of the SAA6713H is available on request.

XGA dual input flat panel controller

SAA6713H

8.1 Initialization of boundary scan circuit

The Test Access Port (TAP) controller of an IC should be in the reset state (TEST_LOGIC_RESET) when the IC is in the functional mode. This reset state also forces the instruction register into a functional instruction such as IDCODE or BYPASS.

To solve the power-up reset, the standard specifies that the TAP controller will be forced asynchronously to the TEST_LOGIC_RESET state by setting pin TRST to LOW.

8.2 Device identification codes

A device identification register is specified in "IEEE Std. 1149.1b-1994". It is a 32-bit register which contains fields for the specification of the IC manufacturer, the IC part number and the IC version number. Its biggest advantage is the possibility to check for the correct ICs mounted after production and determination of the version number of ICs during field service.

When the IDCODE instruction is loaded into the BST instruction register, the identification register will be connected between pins TDI and TDO of the IC. The identification register will load a component specific code during the CAPTURE_DATA_REGISTER state of the TAP controller and this code can subsequently be shifted out. At board level this code can be used to verify component manufacturer, type and version number. The device identification register contains 32 bits, numbered 31 to 0, where bit 31 is the most significant bit (nearest to TDI) and bit 0 is the least significant bit (nearest to TDO); see Fig.32.

Table 62 BST instructions supported by the SAA6713H

INSTRUCTION	DESCRIPTION
BYPASS	This mandatory instruction provides a minimum length serial path (1 bit) between TDI and TDO when no test operation of the component is required.
EXTEST	This mandatory instruction allows testing of off-chip circuitry and board level interconnections.
SAMPLE	This mandatory instruction can be used to take a sample of the inputs during normal operation of the component. It can also be used to preload data values into the latched outputs of the boundary scan register.
CLAMP	This optional instruction is useful for testing when not all ICs have BST. This instruction addresses the bypass register while the boundary scan register is in external test mode.
IDCODE	This optional instruction will provide information on the components manufacturer, part number and version number.
INTEST	This optional instruction allows testing of the internal logic (no customer support available).
USER1	This private instruction allows testing by the manufacturer (no customer support available).

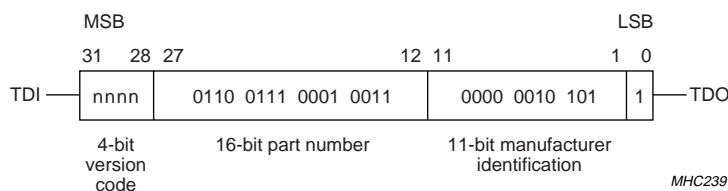


Fig.32 32 bits of identification code.

XGA dual input flat panel controller

SAA6713H

9 LIMITING VALUES

In accordance with the Absolute Maximum Rating System (IEC 60134)

SYMBOL	PARAMETER	CONDITIONS	MIN.	MAX.	UNIT
V _{DDD(IC)}	digital supply voltage for internal core on pins V _{DDD(IC1)} to V _{DDD(IC6)}		-0.5	+3.3	V
V _{DDA}	analog supply voltage on pins V _{DDA(R)} , V _{DDA(G)} , V _{DDA(B)} , V _{DDA(ADC)(R)} , V _{DDA(ADC)(G)} , V _{DDA(ADC)(B)} and V _{DDA(DVI1)} to V _{DDA(DVI3)}		0	tbf	V
V _{DD(PLL)} , V _{DDD(PLL)} , V _{DDA(PLL)}	supply voltage for PLL on pins V _{DD(PLL)(DVI)} , V _{DD(PLL)(P)} , V _{DDA(PLL)(S)} and V _{DDD(PLL)(S)}		0	tbf	V
V _{DDA(IB)}	analog supply voltage for input buffer on pin V _{DDA(IB)}		0	3.3	V
V _{DDD(EP)}	external digital pad supply voltage for pins V _{DDD(EP1)} to V _{DDD(EP10)}		-0.5	+4.2	V
V _{DDA(EP)}	external analog pad supply voltage for pin V _{DDA(EP)}		0	3.6	V
V _n	voltage on digital input pins SDA and SCL (5 V tolerant) digital input pins analog input and output pins	note 1	-0.5 -0.5 -0.5	+5.8 V _{DDD(EP)} + 0.5 V _{DDA} + 0.5	V V V
P _{tot}	total power dissipation		-	tbf	mW
T _{stg}	storage temperature		-25	+150	°C
T _j	junction temperature		-	150	°C
T _{amb}	ambient temperature		0	70	°C
V _{esd}	electrostatic discharge voltage	note 2	-1500	+2000	V
		note 3	-150	+150	V

Notes

1. May not exceed 4.2 V; including outputs in 3-state mode; only when supply voltages are present.
2. Human body model: C = 100 pF; R = 1.5 kΩ.
3. Machine model: C = 200 pF; L = 0.75 μH; R = 0 Ω.

10 THERMAL CHARACTERISTICS

SYMBOL	PARAMETER	CONDITIONS	VALUE	UNIT
R _{th(j-a)}	thermal resistance from junction to ambient	in free air	26	K/W

XGA dual input flat panel controller

SAA6713H

11 CHARACTERISTICST_{amb} = 25 °C; unless otherwise specified.

SYMBOL	PARAMETER	CONDITIONS	MIN.	TYP.	MAX.	UNIT
Supplies						
DIGITAL SUPPLY FOR INTERNAL CORE: PINS V _{DD(IC1)} TO V _{DD(IC6)}						
V _{DD(IC)}	supply voltage		2.3	2.5	2.7	V
I _{DD(IC)}	supply current		–	tbf	tbf	mA
P _{DD(IC)}	power dissipation		–	tbf	tbf	mW
ANALOG SUPPLY FOR DVI, COLOUR CHANNELS AND ADCS: PINS V _{D(DVI1)} TO V _{D(DVI3)} , V _{D(DR)} , V _{D(DG)} , V _{D(DB)} , V _{D(ADC)(R)} , V _{D(ADC)(G)} AND V _{D(ADC)(B)}						
V _{DDA}	supply voltage		2.3	2.5	2.7	V
I _{DDA}	supply current		–	tbf	tbf	mA
P _{DDA}	power dissipation		–	tbf	tbf	mW
SUPPLY FOR PLL: PINS V _{DD(PLL)(DVI)} , V _{DD(PLL)(P)} , V _{DDA(PLL)(S)} AND V _{DD(PLL)(S)}						
V _{DD(PLL)}	supply voltage		2.3	2.5	2.7	V
I _{DD(PLL)}	supply current		–	tbf	tbf	mA
P _{DD(PLL)}	power dissipation		–	tbf	tbf	mW
ANALOG SUPPLY FOR INPUT BUFFER: PIN V _{DDA(IB)}						
V _{DDA(IB)}	supply voltage		2.7	3.0	3.3	V
I _{DDA(IB)}	supply current		–	tbf	tbf	mA
P _{DDA(IB)}	power dissipation		–	tbf	tbf	mW
DIGITAL SUPPLY FOR PADS: PINS V _{DD(EP1)} TO V _{DD(EP10)}						
V _{DD(EP)}	supply voltage		3.0	3.3	3.6	V
I _{DD(EP)}	supply current		–	tbf	tbf	mA
P _{DD(EP)}	power dissipation		–	tbf	tbf	mW
ANALOG SUPPLY FOR PAD: PIN V _{DDA(EP)}						
V _{DDA(EP)}	supply voltage		3.0	3.3	3.6	V
I _{DDA(EP)}	supply current		–	tbf	tbf	mA
P _{DDA(EP)}	power dissipation		–	tbf	tbf	mW
Analog front-end inputs						
ANALOG VIDEO INPUTS: PINS RIN, GIN AND BIN						
V _{i(p-p)}	input voltage (peak-to-peak value)	note 1	0.2	–	0.5	V
C _i	input capacitance		–	850	–	fF
SYNC-ON-GREEN SLICER INPUT: PIN SOGIN						
V _{i(p-p)}	input voltage (peak-to-peak value)		0.1	–	0.4	V
ANALOG-TO-DIGITAL CONVERTER						
f _{pixel}	sample clock of ADC		25	–	110	MHz
N	resolution of ADC		–	8	–	bits

XGA dual input flat panel controller

SAA6713H

SYMBOL	PARAMETER	CONDITIONS	MIN.	TYP.	MAX.	UNIT
LE _{dc(i)}	DC integral linearity error		–	0.8	–	LSB
LE _{dc(d)}	DC differential linearity error		–	1.6	–	LSB
ENOB	effective number of bits	f _{pixel} = 110 MHz	6.6	7	–	bits
CONTROL LOOPS FOR CONTRAST AND BRIGHTNESS						
M	matching of contrast and clamp settings among the three channels		–	1	–	%
B _{loop}	bandwidth of contrast and clamp loops		–	500	–	Hz
N _{clamp}	required width of clamp pulse		40	–	–	pixels
N _{gainc}	required width of gain control pulse		96	–	–	pixels
DVI inputs						
MAXIMUM RATINGS DVI INTERFACE						
V _{CC}	termination supply voltage		–	–	4.0	V
V _i	voltage on any signal wire		–0.5	–	+4.0	V
R _t	termination resistance	off chip	0	–	tbf	Ω
DIFFERENTIAL INPUT PAIRS: PINS RXCP AND RXCN, RX0P AND RX0N, RX1P AND RX1N AND RX2P AND RX2N						
V _{CC}	termination supply voltage	note 2	3.13	3.3	3.46	V
R _t	external termination resistance		45	50	55	Ω
V _{i(CM)}	common mode DC input voltage	note 3	V _{CC} – 0.3	–	V _{CC} – 0.037	V
V _{i(se)}	single-ended (high) DC input voltage	when disconnected	V _{CC} – 0.01	V _{CC}	V _{CC} + 0.01	V
V _{i(diff)(p-p)}	differential input voltage (peak-to-peak value)	note 3	150	–	1560	mV
S	intra-pair skew		0.4	–	–	Tbit
t _r	rise time		75	–	–	ps
f _{clk}	clock frequency		25.175	–	110	MHz
Digital inputs						
CLOCK, RESET AND BST INPUTS: PINS CLK, RST, TCK, TDI, TMS AND TRST						
V _{IL}	LOW-level input voltage		0	–	0.7	V
V _{IH}	HIGH-level input voltage		1.7	–	V _{DDD(EP)}	V
I _{IL}	LOW-level input current		–	–	tbf	μA
I _{IH}	HIGH-level input current		–	–	tbf	μA
C _i	input capacitance		–	–	tbf	pF
HORIZONTAL SYNC INPUT: PIN HSYNC (5 V TOLERANT)						
V _{IL}	LOW-level input voltage		0	–	0.8	V
V _{IH}	HIGH-level input voltage		2	–	5.5	V
I _{IL}	LOW-level input current		–	–	tbf	μA
I _{IH}	HIGH-level input current		–	–	tbf	μA

XGA dual input flat panel controller

SAA6713H

SYMBOL	PARAMETER	CONDITIONS	MIN.	TYP.	MAX.	UNIT
C_i	input capacitance		–	–	tbf	pF
Output pins						
DATA PORTS, PANEL CONTROL SIGNALS AND GENERAL CONTROLS: PINS PD0 TO PD7, PE0 TO PE7, PF0 TO PF7, CSG0, CSG1, CSG3, CSG5 TO CSG9, INVA, INVB, PCLK, PWM, OUTEN, \overline{INT} AND TDO						
V_{OL}	LOW-level output voltage	$I_{OL} = \text{tbf}$	–	–	0.4	V
V_{OH}	HIGH-level output voltage	$I_{OH} = \text{tbf}$	$V_{DD(EP)} - 0.4$	–	–	V
Input or output pins						
DATA PORTS, PANEL CONTROL SIGNALS, SAMPLE CLOCK AND VERTICAL SYNC PULSES: PINS PA0 TO PA7, PB0 TO PB7, PC0 TO PC7, CSG2/A0, CSG4/A1, VCLK AND VSYNC						
V_{IL}	LOW-level input voltage		0	–	0.8	V
V_{IH}	HIGH-level input voltage		2.0	–	3.6	V
V_{OL}	LOW-level output voltage	$I_{OL} = \text{tbf}$	0	–	0.4	V
V_{OH}	HIGH-level output voltage	$I_{OH} = \text{tbf}$	$V_{DD(EP)} - 0.4$	–	$V_{DD(EP)}$	V
I_{OZ}	3-state output leakage current	$V_{IH} = V_{DD(EP)}$; $V_{IL} = 0$	–	–	tbf	μA
C_i	input capacitance		–	–	tbf	pF
I²C-bus interface						
CLOCK INPUT: PINS SCL AND HSCL						
V_{IL}	LOW-level input voltage		0	–	0.8	V
V_{IH}	HIGH-level input voltage	5 V tolerant	2.0	–	5.5	V
V_{hys}	hysteresis voltage		0.3	–	–	V
I_{IL}	LOW-level input current		–	–	tbf	μA
I_{IH}	HIGH-level input current		–	–	tbf	μA
C_i	input capacitance		–	–	tbf	pF
DATA INPUT AND OUTPUT: PINS SDA AND HSDA						
V_{IL}	LOW-level input voltage		0	–	0.8	V
V_{IH}	HIGH-level input voltage	5 V tolerant	2.0	–	5.5	V
V_{hys}	hysteresis voltage		0.3	–	–	V
V_{OL}	LOW-level output voltage	$I_{OL} = \text{tbf}$	0	–	0.4	V

Notes

- Pin connected to video source via a 6 dB/75 Ω attenuator.
- The input circuits are able to cope with the common mode input voltages that are above the supply voltage of the SAA6713H (2.5 V).
- Characteristics apply to all data input pairs and the clock input pair.

XGA dual input flat panel controller

SAA6713H

12 TIMING CHARACTERISTICS

SYMBOL	PARAMETER	CONDITIONS	MIN.	TYP.	MAX.	UNIT
System clock input at pin CLK						
T_{cy}	system clock cycle time		20	–	41.66	ns
Analog video interface; see Fig.33						
T_{cy}	analog video clock cycle time		9.1	–	–	ns
t_{su}	video data set-up time		4	–	–	ns
t_h	video data hold time		3	–	–	ns
t_{VSYNC}	vertical sync length		$2/f_{VCLK}$	–	–	ns
t_{HSYNC}	horizontal sync length		$2/f_{VCLK}$	–	–	ns
Parallel video interface; see Fig.34						
T_{cy}	parallel video clock cycle time		9.1	–	–	ns
t_{su}	video data set-up time		0	–	–	ns
t_h	video data hold time		5	–	–	ns
Panel interface; see Fig.35						
T_{cy}	panel clock cycle time		15.4	–	40	ns
t_{out1}	undelayed PCLK to output delay time; single pixel mode	$C_L = 15\text{ pF}$	-2.5	–	+0.2	ns
t_{out2}	undelayed PCLK to output delay time; double pixel mode	$C_L = 15\text{ pF}$	-3.5	–	-0.8	ns
t_{del}	output delay increment		200	500	800	ps

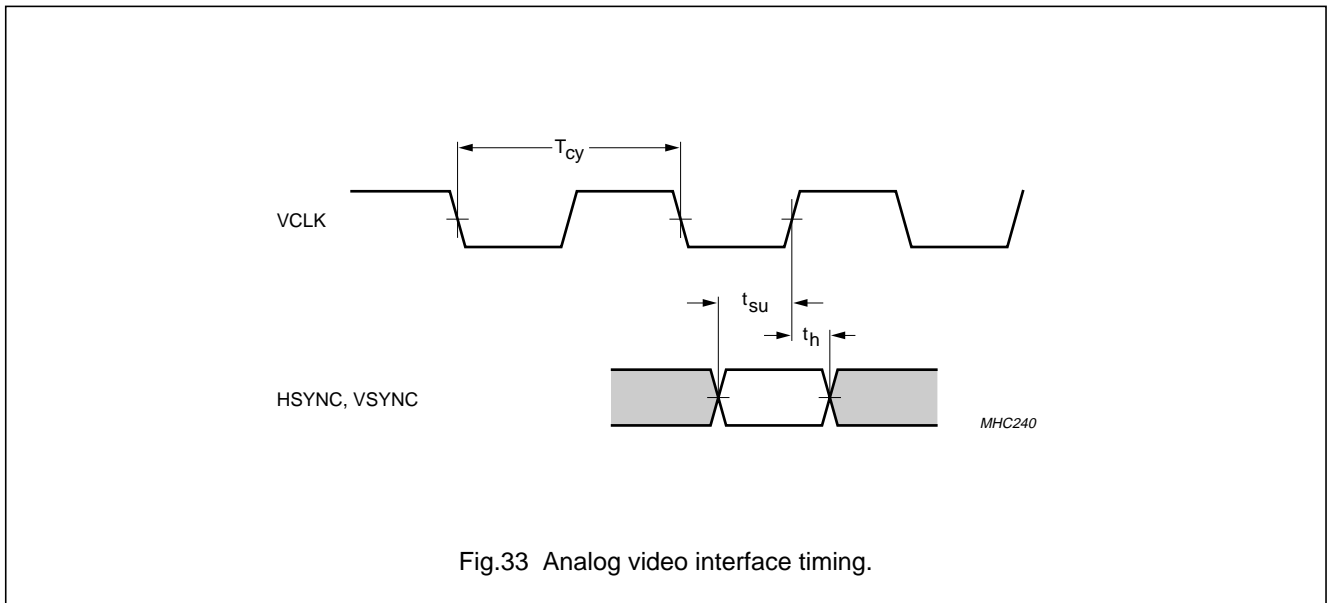
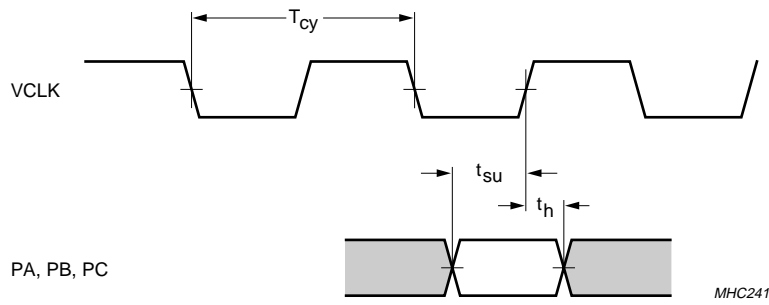


Fig.33 Analog video interface timing.

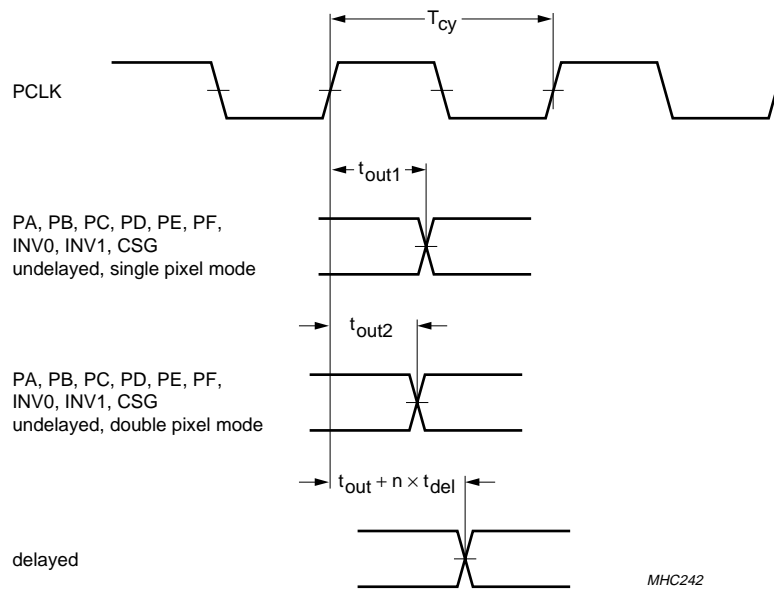
XGA dual input flat panel controller

SAA6713H



MHC241

Fig.34 Parallel video interface timing.



MHC242

Fig.35 Panel interface timing.

XGA dual input flat panel controller

SAA6713H

13 APPLICATION INFORMATION

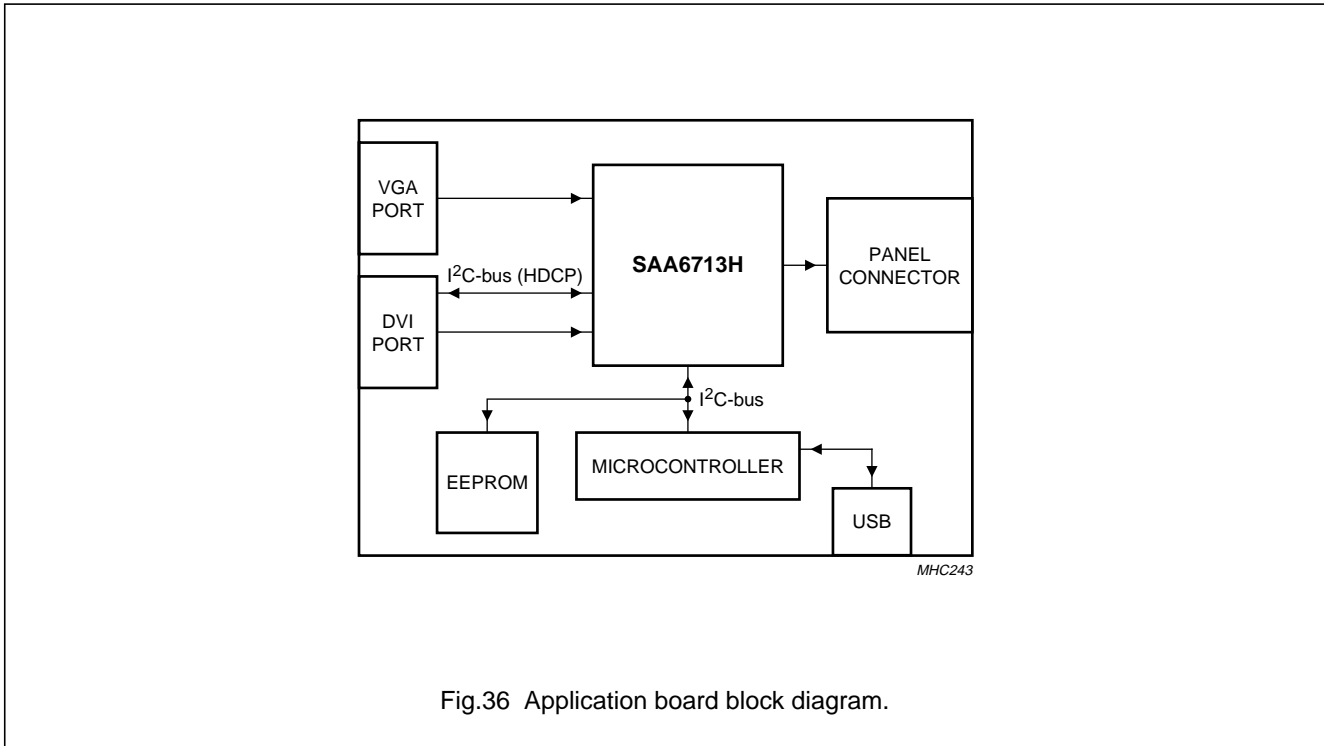


Fig.36 Application board block diagram.

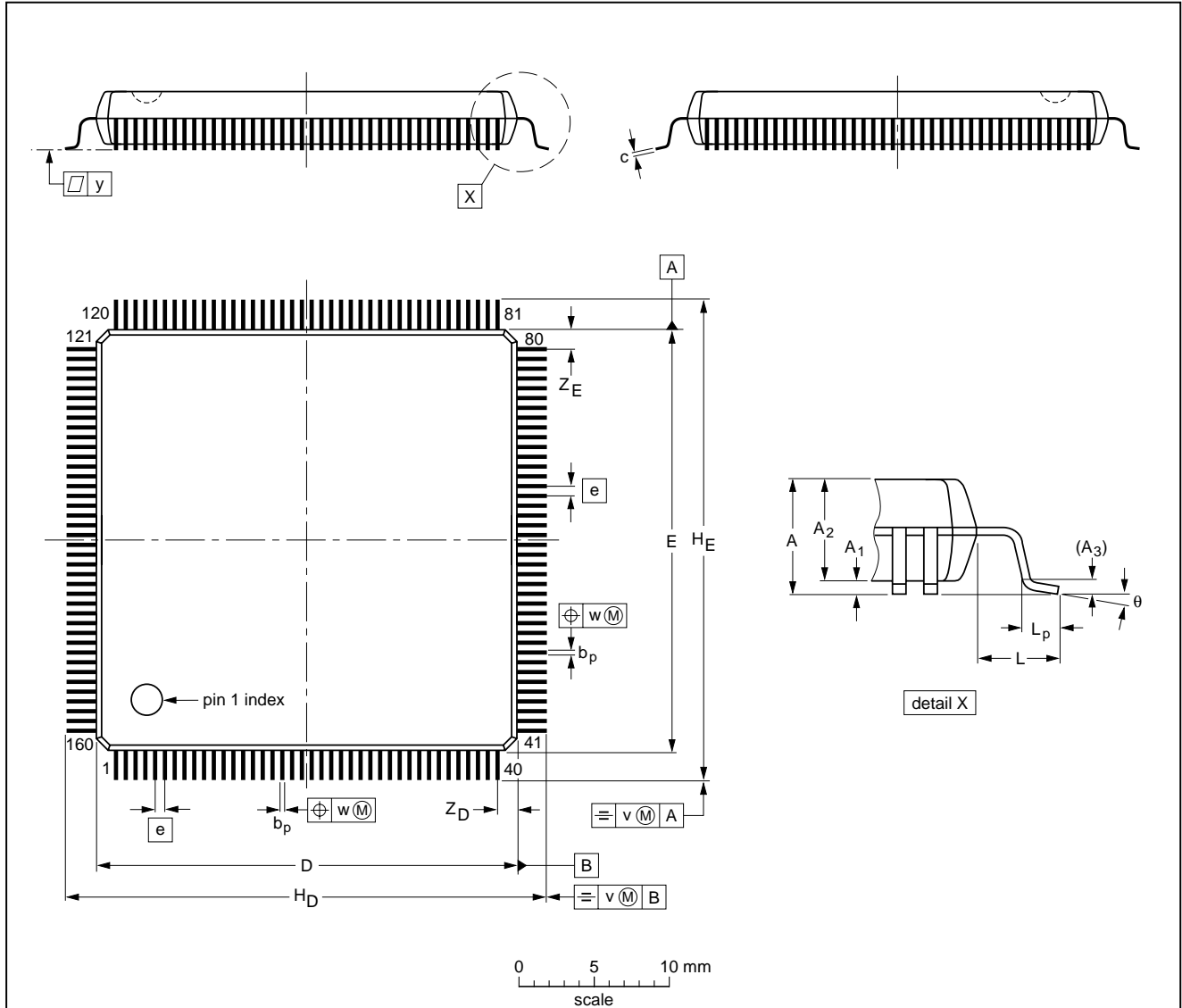
XGA dual input flat panel controller

SAA6713H

14 PACKAGE OUTLINE

QFP160: plastic quad flat package;
160 leads (lead length 1.6 mm); body 28 x 28 x 3.4 mm; high stand-off height

SOT322-2



DIMENSIONS (mm are the original dimensions)

UNIT	A max.	A ₁	A ₂	A ₃	b _p	c	D ⁽¹⁾	E ⁽¹⁾	e	H _D	H _E	L	L _p	v	w	y	Z _D ⁽¹⁾	Z _E ⁽¹⁾	θ
mm	4.07	0.50 0.25	3.60 3.20	0.25	0.38 0.22	0.23 0.13	28.1 27.9	28.1 27.9	0.65	31.45 30.95	31.45 30.95	1.6	1.03 0.73	0.3	0.13	0.1	1.5 1.1	1.5 1.1	7° 0°

Note

1. Plastic or metal protrusions of 0.25 mm maximum per side are not included.

OUTLINE VERSION	REFERENCES				EUROPEAN PROJECTION	ISSUE DATE
	IEC	JEDEC	EIAJ			
SOT322-2	135E12	MS-022				99-11-03 00-01-19

XGA dual input flat panel controller

SAA6713H

15 SOLDERING

15.1 Introduction to soldering surface mount packages

This text gives a very brief insight to a complex technology. A more in-depth account of soldering ICs can be found in our *"Data Handbook IC26; Integrated Circuit Packages"* (document order number 9398 652 90011).

There is no soldering method that is ideal for all surface mount IC packages. Wave soldering can still be used for certain surface mount ICs, but it is not suitable for fine pitch SMDs. In these situations reflow soldering is recommended.

15.2 Reflow soldering

Reflow soldering requires solder paste (a suspension of fine solder particles, flux and binding agent) to be applied to the printed-circuit board by screen printing, stencilling or pressure-syringe dispensing before package placement.

Several methods exist for reflowing; for example, convection or convection/infrared heating in a conveyor type oven. Throughput times (preheating, soldering and cooling) vary between 100 and 200 seconds depending on heating method.

Typical reflow peak temperatures range from 215 to 250 °C. The top-surface temperature of the packages should preferably be kept below 220 °C for thick/large packages, and below 235 °C for small/thin packages.

15.3 Wave soldering

Conventional single wave soldering is not recommended for surface mount devices (SMDs) or printed-circuit boards with a high component density, as solder bridging and non-wetting can present major problems.

To overcome these problems the double-wave soldering method was specifically developed.

If wave soldering is used the following conditions must be observed for optimal results:

- Use a double-wave soldering method comprising a turbulent wave with high upward pressure followed by a smooth laminar wave.
- For packages with leads on two sides and a pitch (e):
 - larger than or equal to 1.27 mm, the footprint longitudinal axis is **preferred** to be parallel to the transport direction of the printed-circuit board;
 - smaller than 1.27 mm, the footprint longitudinal axis **must** be parallel to the transport direction of the printed-circuit board.

The footprint must incorporate solder thieves at the downstream end.

- For packages with leads on four sides, the footprint must be placed at a 45° angle to the transport direction of the printed-circuit board. The footprint must incorporate solder thieves downstream and at the side corners.

During placement and before soldering, the package must be fixed with a droplet of adhesive. The adhesive can be applied by screen printing, pin transfer or syringe dispensing. The package can be soldered after the adhesive is cured.

Typical dwell time is 4 seconds at 250 °C.

A mildly-activated flux will eliminate the need for removal of corrosive residues in most applications.

15.4 Manual soldering

Fix the component by first soldering two diagonally-opposite end leads. Use a low voltage (24 V or less) soldering iron applied to the flat part of the lead. Contact time must be limited to 10 seconds at up to 300 °C.

When using a dedicated tool, all other leads can be soldered in one operation within 2 to 5 seconds between 270 and 320 °C.

XGA dual input flat panel controller

SAA6713H

15.5 Suitability of surface mount IC packages for wave and reflow soldering methods

PACKAGE ⁽¹⁾	SOLDERING METHOD	
	WAVE	REFLOW ⁽²⁾
BGA, LBGA, LFBGA, SQFP, TFBGA, VFBGA	not suitable	suitable
HBCC, HBGA, HLQFP, HSQFP, HSOP, HTQFP, HTSSOP, HVQFN, HVSON, SMS	not suitable ⁽³⁾	suitable
PLCC ⁽⁴⁾ , SO, SOJ	suitable	suitable
LQFP, QFP, TQFP	not recommended ⁽⁴⁾⁽⁵⁾	suitable
SSOP, TSSOP, VSO	not recommended ⁽⁶⁾	suitable

Notes

1. For more detailed information on the BGA packages refer to the “(LF)BGA Application Note” (AN01026); order a copy from your Philips Semiconductors sales office.
2. All surface mount (SMD) packages are moisture sensitive. Depending upon the moisture content, the maximum temperature (with respect to time) and body size of the package, there is a risk that internal or external package cracks may occur due to vaporization of the moisture in them (the so called popcorn effect). For details, refer to the Drypack information in the “Data Handbook IC26; Integrated Circuit Packages; Section: Packing Methods”.
3. These packages are not suitable for wave soldering. On versions with the heatsink on the bottom side, the solder cannot penetrate between the printed-circuit board and the heatsink. On versions with the heatsink on the top side, the solder might be deposited on the heatsink surface.
4. If wave soldering is considered, then the package must be placed at a 45° angle to the solder wave direction. The package footprint must incorporate solder thieves downstream and at the side corners.
5. Wave soldering is suitable for LQFP, TQFP and QFP packages with a pitch (e) larger than 0.8 mm; it is definitely not suitable for packages with a pitch (e) equal to or smaller than 0.65 mm.
6. Wave soldering is suitable for SSOP and TSSOP packages with a pitch (e) equal to or larger than 0.65 mm; it is definitely not suitable for packages with a pitch (e) equal to or smaller than 0.5 mm.

XGA dual input flat panel controller

SAA6713H

16 DATA SHEET STATUS

DATA SHEET STATUS ⁽¹⁾	PRODUCT STATUS ⁽²⁾	DEFINITIONS
Objective data	Development	This data sheet contains data from the objective specification for product development. Philips Semiconductors reserves the right to change the specification in any manner without notice.
Preliminary data	Qualification	This data sheet contains data from the preliminary specification. Supplementary data will be published at a later date. Philips Semiconductors reserves the right to change the specification without notice, in order to improve the design and supply the best possible product.
Product data	Production	This data sheet contains data from the product specification. Philips Semiconductors reserves the right to make changes at any time in order to improve the design, manufacturing and supply. Changes will be communicated according to the Customer Product/Process Change Notification (CPCN) procedure SNW-SQ-650A.

Notes

1. Please consult the most recently issued data sheet before initiating or completing a design.
2. The product status of the device(s) described in this data sheet may have changed since this data sheet was published. The latest information is available on the Internet at URL <http://www.semiconductors.philips.com>.

17 DEFINITIONS

Short-form specification — The data in a short-form specification is extracted from a full data sheet with the same type number and title. For detailed information see the relevant data sheet or data handbook.

Limiting values definition — Limiting values given are in accordance with the Absolute Maximum Rating System (IEC 60134). Stress above one or more of the limiting values may cause permanent damage to the device.

These are stress ratings only and operation of the device at these or at any other conditions above those given in the Characteristics sections of the specification is not implied. Exposure to limiting values for extended periods may affect device reliability.

Application information — Applications that are described herein for any of these products are for illustrative purposes only. Philips Semiconductors make no representation or warranty that such applications will be suitable for the specified use without further testing or modification.

18 DISCLAIMERS

Life support applications — These products are not designed for use in life support appliances, devices, or systems where malfunction of these products can reasonably be expected to result in personal injury. Philips Semiconductors customers using or selling these products for use in such applications do so at their own risk and agree to fully indemnify Philips Semiconductors for any damages resulting from such application.

Right to make changes — Philips Semiconductors reserves the right to make changes, without notice, in the products, including circuits, standard cells, and/or software, described or contained herein in order to improve design and/or performance. Philips Semiconductors assumes no responsibility or liability for the use of any of these products, conveys no licence or title under any patent, copyright, or mask work right to these products, and makes no representations or warranties that these products are free from patent, copyright, or mask work right infringement, unless otherwise specified.

XGA dual input flat panel controller**SAA6713H**

19 PURCHASE OF PHILIPS I²C COMPONENTS

Purchase of Philips I²C components conveys a license under the Philips' I²C patent to use the components in the I²C system provided the system conforms to the I²C specification defined by Philips. This specification can be ordered using the code 9398 393 40011.

XGA dual input flat panel controller

SAA6713H

NOTES

XGA dual input flat panel controller

SAA6713H

NOTES

XGA dual input flat panel controller

SAA6713H

NOTES

Philips Semiconductors – a worldwide company

Contact information

For additional information please visit <http://www.semiconductors.philips.com>. Fax: +31 40 27 24825

For sales offices addresses send e-mail to: sales.addresses@www.semiconductors.philips.com.

© Koninklijke Philips Electronics N.V. 2002

SCA74

All rights are reserved. Reproduction in whole or in part is prohibited without the prior written consent of the copyright owner.

The information presented in this document does not form part of any quotation or contract, is believed to be accurate and reliable and may be changed without notice. No liability will be accepted by the publisher for any consequence of its use. Publication thereof does not convey nor imply any license under patent- or other industrial or intellectual property rights.

Printed in The Netherlands

753505/01/pp104

Date of release: 2002 Jul 16

Document order number: 9397 750 09484

Let's make things better.

**Philips
Semiconductors**



PHILIPS