

SANYO

No.4373A

LA7860, 7860M**Deflection IC Supports Multisynch Display**

Overview

The LA7860, 7860M display deflection integrated circuit supports multisynch and high-definition displays. Implemented through proprietary Sanyo circuit technology, it offers unsurpassed low-noise performance.

Its outstanding characteristic is the simplified processing it offers for screen settling in response to fluctuations in horizontal scan frequency, which has required numerous components and complex control procedures in the past. This has been made possible through a combination of the conventional phase shift function (H. SHIFT) with a new horizontal oscillation frequency dependent phase shift function (S. GAIN) implemented internally in the IC.

Control pins for various other internal functions support control at 0 to 2.5V dc, making it possible to simply control horizontal oscillation frequency and horizontal and vertical image phase directly with a microcomputer. When used in conjunction with an interface such as a DAC, it will also support system bus applications.

Features

- Supports multisynch displays
- DC control
- Low noise
- Supports polar input signals
- TTL output

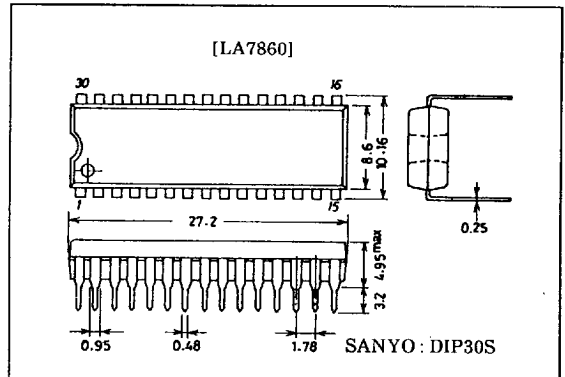
Functions

- Horizontal frequency independent screen phase shift (H. SHIFT)
- Horizontal frequency dependent screen phase shift (S. GAIN)
- Vertical screen phase shift (V. SHIFT)
- Horizontal oscillation frequency control (H. OSC)
- Horizontal synchronization and detection (H. LOCK)
- Vertical blanking output (V. BLK)

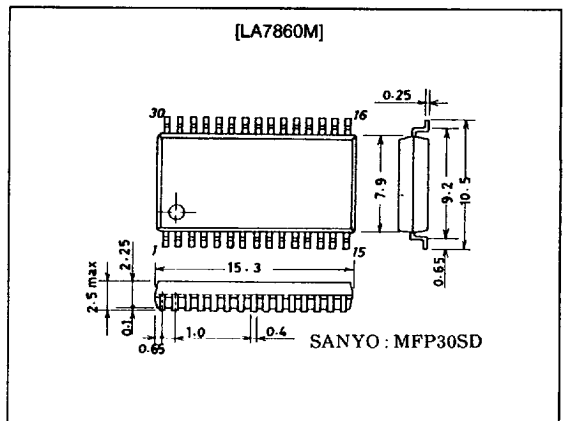
Package Dimensions

unit: mm

3061-DIP30S



3073A-MFP30SD

**SANYO Electric Co., Ltd. Semiconductor Business Headquarters**

TOKYO OFFICE Tokyo Bldg., 1-10, 1 Chome, Ueno, Taito-ku, TOKYO, 110 JAPAN

246 ■ 7997076 0019157 935 ■

63094TH (OT) B8-0558, 0391/N2792TS No. 4373-1/4

Specifications

Maximum Ratings at $T_a = 25^\circ\text{C}$

Parameter	Symbol	Conditions	Ratings	Unit
Maximum supply voltage	V_{21} max		14	V
Maximum supply current	I_{14} max		75	mA
Maximum rush current	I_{16si} max		10	mA
	I_{24si} max		10	mA
	I_{25si} max		2	mA
FBP minimum input voltage	V_{IN18} min		-5	V
Allowable power dissipation	P_d max	[LA7860]	0.95	W*1
		$T_a \leq 70^\circ\text{C}$ [LA7860M]	1.1	W*2
Operating temperature	T_{opr}		-10 to +70	$^\circ\text{C}$
Storage temperature	T_{stg}		-55 to +150	$^\circ\text{C}$

Note: 1. $T_C \leq 100^\circ\text{C}$, P_d max = 0.95 W (The case temperature is the temperature of pin 23.)
 2. Measured when mounted on a 100 x 70 x 1.15 mm glass epoxy printed circuit board.

Recommended Operating Conditions at $T_a = 25^\circ\text{C}$

Parameter	Symbol	Conditions	Ratings	unit
Recommended supply voltage	V_{21}		12	V
Recommended supply current	I_{14}		60	mA
Operating supply voltage	V_{21op}		10.5 to 13.5	V
Operating supply current	I_{14op}		55 to 65	mA
Recommended input voltage	V_1		2	Vp-p
Operating input voltage	V_{30}		2	Vp-p
	V_{1op}		1.0 to 3.0	Vp-p
	V_{30op}		1.0 to 3.0	Vp-p
			3/20	Th
Maximum horizontal input width	V_{IN1} max		3	ms
Maximum vertical input width	V_{IN30} max		1/5 + Tdelf	Th
Maximum FBP input width	V_{IN18} max			

Where Th is one horizontal cycle, and Tdelf is 20-pin operation period.

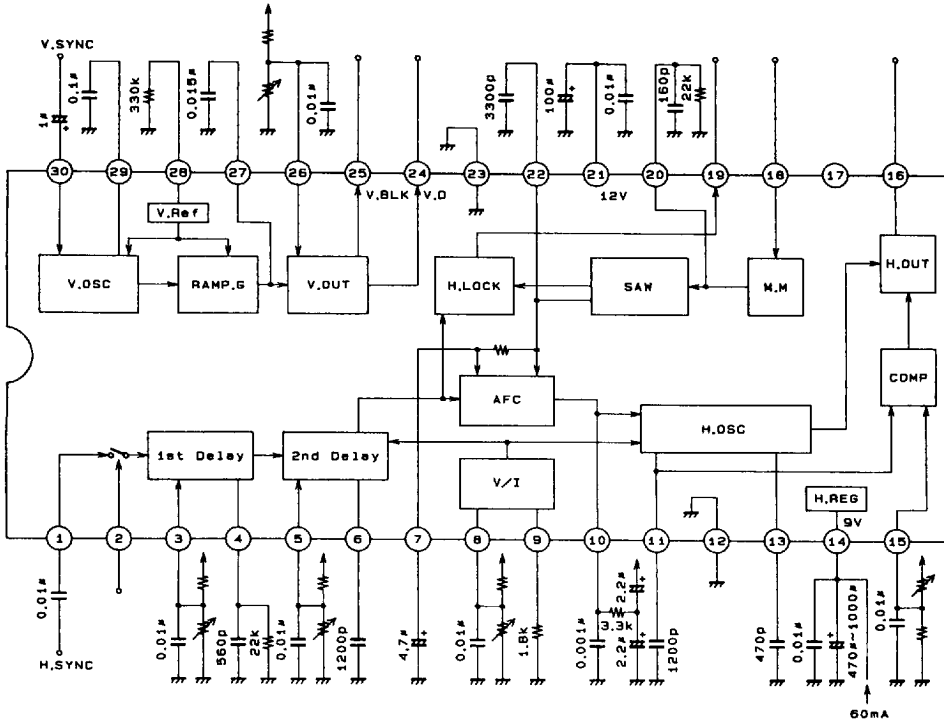
LA7860, 7860M

Operating Characteristics at Ta = 25 °C, V_{CC21} = 12 V, I_{CC14} = 60 mA

Parameter	Symbol	Conditions	Ratings			Unit
			min	typ	max	
V _{CC21} current dissipation	I ₂₁		4.2	5.6	7.0	mA
V _{CC14} supply voltage	V ₁₄		8.5	9.0	9.5	V
Maximum vertical pull-in frequency	Fv max		180	210	240	Hz
Minimum vertical pull-in frequency	Fv min		30.0	37.5	45.0	Hz
Maximum vertical blanking width	Wb max		740	875	1010	μs
Minimum vertical blanking width	Wb min		340	400	460	μs
Blanking pulse output high voltage	Vbh		4.5	5	5.5	V
Blanking pulse output low voltage	Vbl				0.3	V
Vertical blanking output current	I _{25SO}		1.6	2		mA
Vertical output pulse width	Wvd		255	300	345	μs
Vertical output maximum shift	Pv max		400	475	550	μs
Vertical output delay	Dv min				1	μs
Vertical output voltage high	Vdvh		4.5	5.0	5.5	V
Vertical output voltage low	Vdvl				0.3	V
Vertical output current	I _{24SO}		1.7	2.2		mA
Vertical oscillation start voltage	Fvst			5.0	6.0	V
Horizontal oscillation start voltage	Fhst			5.0	6.0	V
Minimum horizontal oscillation frequency	F _H min		25.7	27.1	28.5	kHz
Maximum horizontal oscillation frequency	F _H max		89.5	94.6	99.7	kHz
Horizontal frequency pull-in range	Hpull		3.5	4.1		%
AFC control current	I _{aFC}		500	630	760	μA
Horizontal output high voltage	Vhdh		4.5	5.0	5.5	V
Horizontal output low voltage	Vhdl				0.3	V
Minimum horizontal phase	Ph min	T _{fbp} = 2.6 μs	-2.0	-1.4	-0.8	μs
Maximum horizontal phase	Ph max	T _{fbp} = 2.6 μs	3.5	4.5	5.5	μs
Frequency dependent maximum phase	Pf max	T _{fbp} = 2.6 μs	23	26.5	30	%
Frequency dependent minimum phase	Pf min	T _{fbp} = 2.6 μs	-3	0	3	%
Minimum horizontal output pulse width	Wh min		21	24	27	%
Maximum horizontal output pulse width	Wh max		64	67	70	%
Horizontal output current	I _{18SO}		1.7	2.3		mA
Synchronized output voltage	V _{co}		4.5	5	5.5	V
Asynchronized output voltage	V _{nco}				0.3	V
FBP input voltage	V _{fbp}		1.2	1.5	1.8	V
EN input voltage	V _{en}		2.0	2.5	3.0	V

Equivalent Circuit Block Diagram and Peripheral Circuit

Unit (Resistance: Ω , Capacitance: F)



A01035

Horizontal phase - horizontal cycle

