

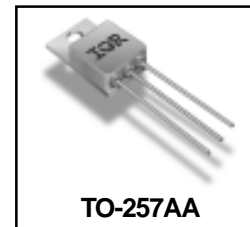
International  
**IR** Rectifier  
**RADIATION HARDENED  
 POWER MOSFET  
 THRU-HOLE (TO-257AA)**

PD - 91274D

**IRHY7130CM  
 JANSR2N7380  
 100V, N-CHANNEL  
 REF: MIL-PRF-19500/614  
 RAD-Hard™ HEXFET® TECHNOLOGY**

**Product Summary**

| Part Number | Radiation Level | R <sub>DS(on)</sub> | I <sub>D</sub> | QPL Part Number |
|-------------|-----------------|---------------------|----------------|-----------------|
| IRHY7130CM  | 100K Rads (Si)  | 0.18Ω               | 14.4A          | JANSR2N7380     |
| IRHY3130CM  | 300K Rads (Si)  | 0.18Ω               | 14.4A          | JANSF2N7380     |
| IRHY4130CM  | 600K Rads (Si)  | 0.18Ω               | 14.4A          | JANSG2N7380     |
| IRHY8130CM  | 1000K Rads (Si) | 0.18Ω               | 14.4A          | JANSH2N7380     |



International Rectifier's RADHard HEXFET® technology provides high performance power MOSFETs for space applications. This technology has over a decade of proven performance and reliability in satellite applications. These devices have been characterized for both Total Dose and Single Event Effects (SEE). The combination of low R<sub>ds(on)</sub> and low gate charge reduces the power losses in switching applications such as DC to DC converters and motor control. These devices retain all of the well established advantages of MOSFETs such as voltage control, fast switching, ease of paralleling and temperature stability of electrical parameters.

**Features:**

- Single Event Effect (SEE) Hardened
- Low R<sub>DS(on)</sub>
- Low Total Gate Charge
- Proton Tolerant
- Simple Drive Requirements
- Ease of Paralleling
- Hermetically Sealed
- Ceramic Eyelets
- Light Weight

**Absolute Maximum Ratings**

**Pre-Irradiation**

|  | Parameter                       |   | Units |
|--|---------------------------------|---|-------|
| I <sub>D</sub> @ V <sub>GS</sub> = 12V, T <sub>C</sub> = 25°C  | Continuous Drain Current        | 14.4                                      | A     |
| I <sub>D</sub> @ V <sub>GS</sub> = 12V, T <sub>C</sub> = 100°C | Continuous Drain Current        | 9.1                                       |       |
| I <sub>DM</sub>  | Pulsed Drain Current ①          | 58  |       |
| P <sub>D</sub> @ T <sub>C</sub> = 25°C                         | Max. Power Dissipation          | 75  | W     |
|  | Linear Derating Factor          | 0.6                                       | W/°C  |
| V <sub>GS</sub>  | Gate-to-Source Voltage          | ±20                                       | V     |
| EAS  | Single Pulse Avalanche Energy ② | 150                                       | mJ    |
| I <sub>AR</sub>  | Avalanche Current ①             | —   | A     |
| E <sub>AR</sub>  | Repetitive Avalanche Energy ①   | —   | mJ    |
| dv/dt  | Peak Diode Recovery dv/dt ③     | 6.0                                       | V/ns  |
| T <sub>J</sub>   | Operating Junction              | -55 to 150                                | °C    |
| T <sub>STG</sub>   | Storage Temperature Range       |   |       |
|  | Lead Temperature                | 300 ( 0.063 in.(1.6mm) from case for 10s) |       |
|  | Weight                          | 7.0 (Typical )                            | g     |

For footnotes refer to the last page

**Electrical Characteristics @ T<sub>J</sub> = 25°C (Unless Otherwise Specified)**

|                                     | Parameter                                    | Min | Typ  | Max  | Units  | Test Conditions   |
|-------------------------------------|--|-----|------|------|--------|---|
| BV <sub>DSS</sub>                   | Drain-to-Source Breakdown Voltage            | 100 | —    | —    | V      | V <sub>GS</sub> = 0V, I <sub>D</sub> = 1.0mA  |
| ΔBV <sub>DSS</sub> /ΔT <sub>J</sub> | Temperature Coefficient of Breakdown Voltage | —   | 0.11 | —    | V/°C   | Reference to 25°C, I <sub>D</sub> = 1.0mA   |
| R <sub>DS(on)</sub>                 | Static Drain-to-Source On-State Resistance   | —   | —    | 0.18 | Ω      | V <sub>GS</sub> = 12V, I <sub>D</sub> = 9.1A ④  |
|                                     |  | —   | —    | 0.20 |        | V <sub>GS</sub> = 12V, I <sub>D</sub> = 14.4A   |
| V <sub>GS(th)</sub>                 | Gate Threshold Voltage                       | 2.0 | —    | 4.0  | V      | V <sub>DS</sub> = V <sub>GS</sub> , I <sub>D</sub> = 1.0mA                                    |
| g <sub>fs</sub>                     | Forward Transconductance                     | 2.5 | —    | —    | S (r̂) | V <sub>DS</sub> > 15V, I <sub>DS</sub> = 9.1A ④   |
| I <sub>DSS</sub>                    | Zero Gate Voltage Drain Current              | —   | —    | 25   | μA     | V <sub>DS</sub> = 80V, V <sub>GS</sub> = 0V   |
|                                     |  | —   | —    | 250  |        | V <sub>DS</sub> = 80V, V <sub>GS</sub> = 0V, T <sub>J</sub> = 125°C                           |
| I <sub>GSS</sub>                    | Gate-to-Source Leakage Forward               | —   | —    | 100  | nA     | V <sub>GS</sub> = 20V   |
| I <sub>GSS</sub>                    | Gate-to-Source Leakage Reverse               | —   | —    | -100 |        | V <sub>GS</sub> = -20V  |
| Q <sub>g</sub>                      | Total Gate Charge                            | —   | —    | 50   | nC     | V <sub>GS</sub> = 12V, I <sub>D</sub> = 14.4A   |
| Q <sub>gs</sub>                     | Gate-to-Source Charge                        | —   | —    | 10   |        | V <sub>DS</sub> = 50V   |
| Q <sub>gd</sub>                     | Gate-to-Drain ('Miller') Charge              | —   | —    | 20   |        |   |
| t <sub>d(on)</sub>                  | Turn-On Delay Time                           | —   | —    | 35   | ns     | V <sub>DD</sub> = 50V, I <sub>D</sub> = 14.4A<br>V <sub>GS</sub> = 12V, R <sub>G</sub> = 7.5Ω |
| t <sub>r</sub>                      | Rise Time                                    | —   | —    | 75   |        |   |
| t <sub>d(off)</sub>                 | Turn-Off Delay Time                          | —   | —    | 70   |        |   |
| t <sub>f</sub>                      | Fall Time                                    | —   | —    | 60   |        |   |
| LS + LD                             | Total Inductance                             | —   | 7.0  | —    | nH     | Measured from drain lead (6mm/0.25in. from package) to source lead (6mm/0.25in. from package) |
| C <sub>iss</sub>                    | Input Capacitance                            | —   | 960  | —    | pF     | V <sub>GS</sub> = 0V, V <sub>DS</sub> = 25V<br>f = 1.0MHz                                     |
| C <sub>OSS</sub>                    | Output Capacitance                           | —   | 340  | —    |        |   |
| C <sub>rss</sub>                    | Reverse Transfer Capacitance                 | —   | 85   | —    |        |   |

**Source-Drain Diode Ratings and Characteristics**

|                 | Parameter                              | Min   | Typ | Max  | Units | Test Conditions   |
|-----------------|--|---|-----|------|-------|---|
| I <sub>S</sub>  | Continuous Source Current (Body Diode) | —   | —   | 14.4 | A     |   |
| I <sub>SM</sub> | Pulse Source Current (Body Diode) ①    | —   | —   | 58   |       |   |
| V <sub>SD</sub> | Diode Forward Voltage                  | —   | —   | 1.8  | V     | T <sub>J</sub> = 25°C, I <sub>S</sub> = 14.4A, V <sub>GS</sub> = 0V ④ |
| t <sub>rr</sub> | Reverse Recovery Time                  | —   | —   | 275  | nS    | T <sub>J</sub> = 25°C, I <sub>F</sub> = 14.4A, di/dt ≤ 100A/μs        |
| Q <sub>RR</sub> | Reverse Recovery Charge                | —   | —   | 2.5  | μC    | V <sub>DD</sub> ≤ 50V ④   |
| t <sub>on</sub> | Forward Turn-On Time                   | Intrinsic turn-on time is negligible. Turn-on speed is substantially controlled by LS + LD. |     |      |       |   |

**Thermal Resistance**

|                   | Parameter           | Min | Typ | Max  | Units | Test Conditions      |
|-------------------|---------------------|-----|-----|------|-------|----------------------|
| R <sub>thJC</sub> | Junction-to-Case    | —   | —   | 1.67 | °C/W  | Typical socket mount |
| R <sub>thJA</sub> | Junction-to-Ambient | —   | —   | 80   |       |                      |

Note: Corresponding Spice and Saber models are available on the G&S Website.

For footnotes refer to the last page

## Radiation Characteristics

IRHY7130CM

International Rectifier Radiation Hardened MOSFETs are tested to verify their radiation hardness capability. The hardness assurance program at International Rectifier is comprised of two radiation environments. Every manufacturing lot is tested for total ionizing dose (per notes 5 and 6) using the TO-3 package. Both pre- and post-irradiation performance are tested and specified using the same drive circuitry and test conditions in order to provide a direct comparison.

**Table 1. Electrical Characteristics @ Tj = 25°C, Post Total Dose Irradiation ⑤⑥**

|                     | Parameter  | 100K Rads(Si) <sup>1</sup> |      | 300 - 1000K Rads (Si) <sup>2</sup> |      | Units | Test Conditions  |
|---------------------|--|----------------------------|------|------------------------------------|------|-------|--|
|                     |  | Min                        | Max  | Min                                | Max  |       |  |
| BV <sub>DSS</sub>   | Drain-to-Source Breakdown Voltage                          | 100                        | —    | 100                                | —    | V     | V <sub>GS</sub> = 0V, I <sub>D</sub> = 1.0mA               |
| V <sub>GS(th)</sub> | Gate Threshold Voltage                                     | 2.0                        | 4.0  | 1.25                               | 4.5  |       | V <sub>GS</sub> = V <sub>DS</sub> , I <sub>D</sub> = 1.0mA |
| I <sub>GSS</sub>    | Gate-to-Source Leakage Forward                             | —                          | 100  | —                                  | 100  | nA    | V <sub>GS</sub> = 20V                                      |
| I <sub>GSS</sub>    | Gate-to-Source Leakage Reverse                             | —                          | -100 | —                                  | -100 |       | V <sub>GS</sub> = -20 V                                    |
| I <sub>DSS</sub>    | Zero Gate Voltage Drain Current                            | —                          | 25   | —                                  | 25   | μA    | V <sub>DS</sub> =80V, V <sub>GS</sub> =0V                  |
| R <sub>DS(on)</sub> | Static Drain-to-Source ④<br>On-State Resistance (TO-3)     | —                          | 0.18 | —                                  | 0.24 | Ω     | V <sub>GS</sub> = 12V, I <sub>D</sub> =9.1A                |
| R <sub>DS(on)</sub> | Static Drain-to-Source ④<br>On-State Resistance (TO-257AA) | —                          | 0.18 | —                                  | 0.24 | Ω     | V <sub>GS</sub> = 12V, I <sub>D</sub> =9.1A                |
| V <sub>SD</sub>     | Diode Forward Voltage ④                                    | —                          | 1.8  | —                                  | 1.8  | V     | V <sub>GS</sub> = 0V, I <sub>S</sub> = 14.4A               |

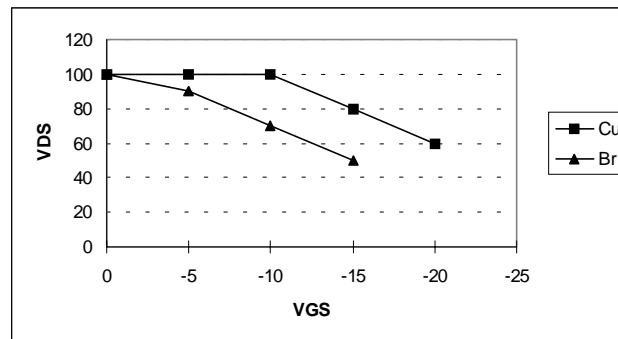
1. Part number IRHY7130, (JANSR2N7380)

2. Part numbers IRHY3130, IRHY4130 and IRHY8130 (JANSF2N7380, JANSNG2N7380 and JANSN2N7380)

International Rectifier radiation hardened MOSFETs have been characterized in heavy ion environment for Single Event Effects (SEE). Single Event Effects characterization is illustrated in Fig. a and Table 2.

**Table 2. Single Event Effect Safe Operating Area**

| Ion | LET<br>MeV/(mg/cm <sup>2</sup> ) | Energy<br>(MeV) | Range<br>(μm) | V <sub>DS</sub> (V)  |                       |                        |                        |                        |
|-----|----------------------------------|-----------------|---------------|----------------------|-----------------------|------------------------|------------------------|------------------------|
|     |                                  |                 |               | @V <sub>GS</sub> =0V | @V <sub>GS</sub> =-5V | @V <sub>GS</sub> =-10V | @V <sub>GS</sub> =-15V | @V <sub>GS</sub> =-20V |
| Cu  | 28                               | 285             | 43            | 100                  | 100                   | 100                    | 80                     | 60                     |
| Br  | 36.8                             | 305             | 39            | 100                  | 90                    | 70                     | 50                     | —                      |



**Fig a. Single Event Effect, Safe Operating Area**

For footnotes refer to the last page

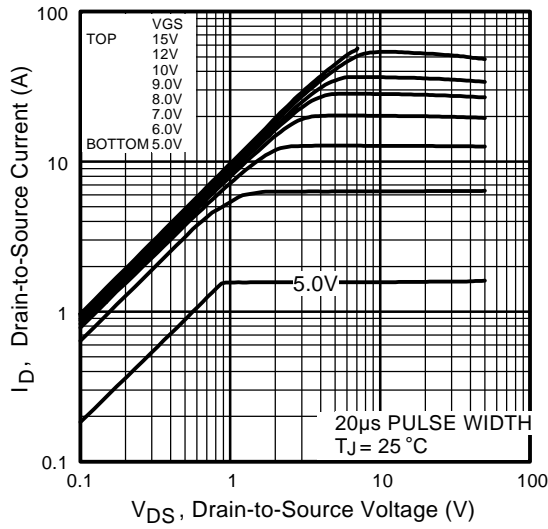


Fig 1. Typical Output Characteristics

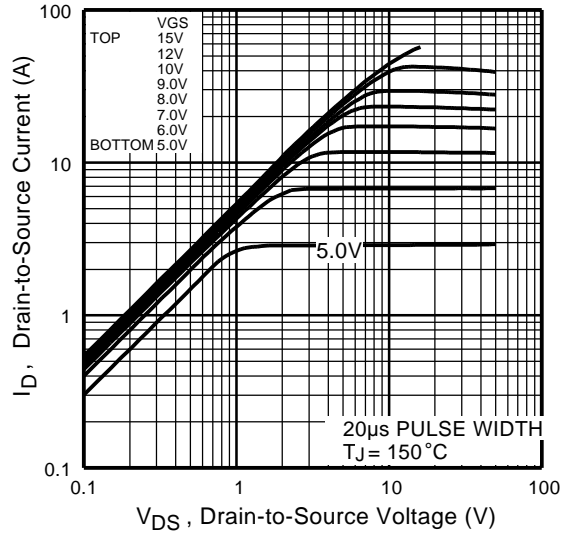


Fig 2. Typical Output Characteristics

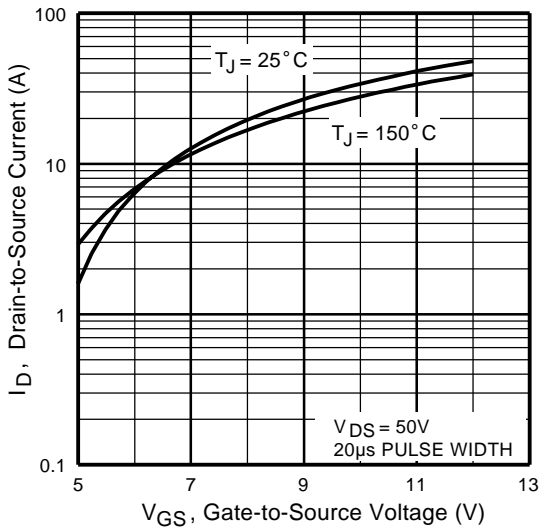


Fig 3. Typical Transfer Characteristics

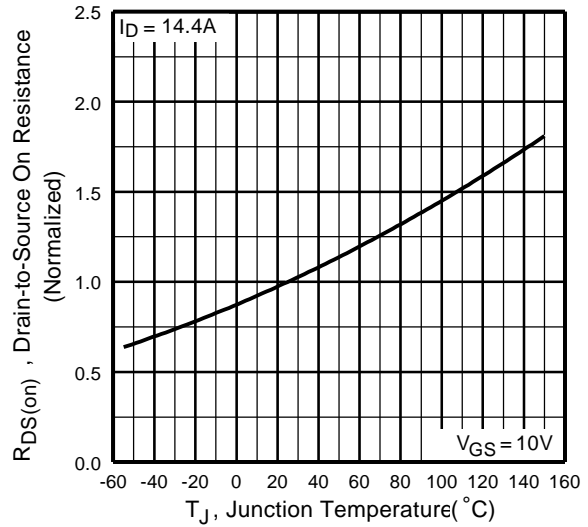
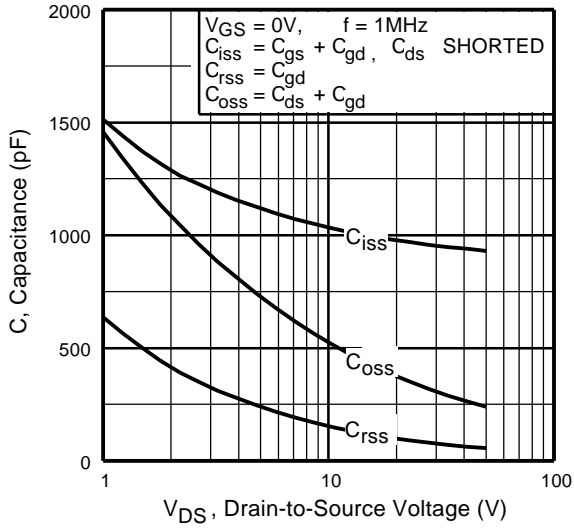
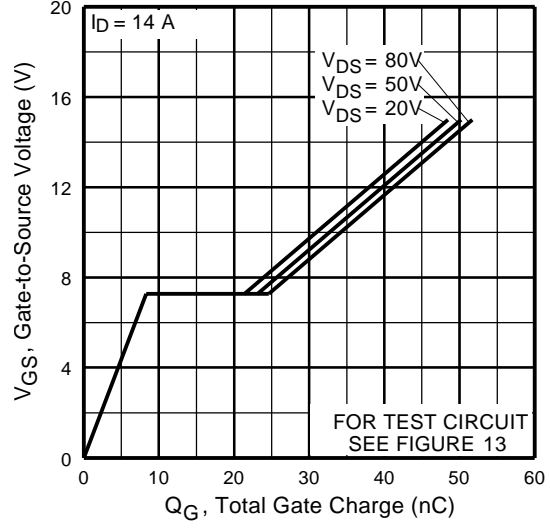


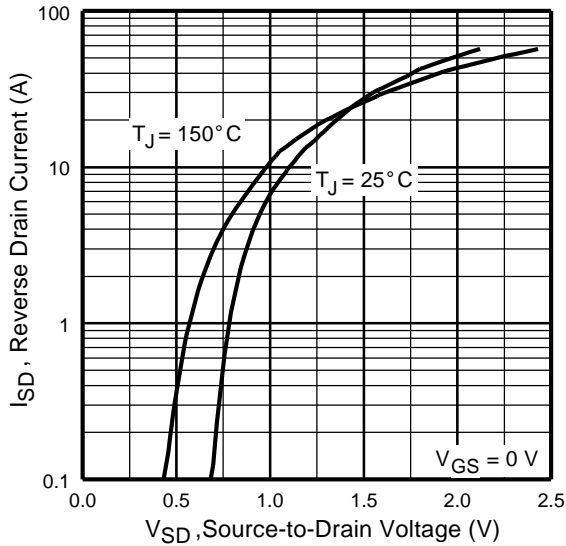
Fig 4. Normalized On-Resistance Vs. Temperature



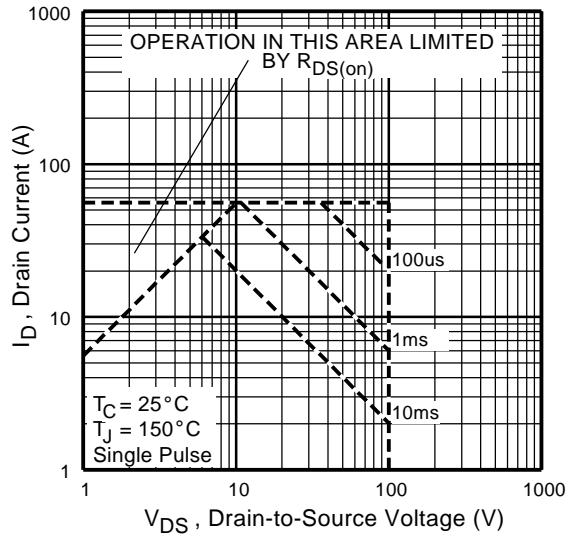
**Fig 5.** Typical Capacitance Vs. Drain-to-Source Voltage



**Fig 6.** Typical Gate Charge Vs. Gate-to-Source Voltage



**Fig 7.** Typical Source-Drain Diode Forward Voltage



**Fig 8.** Maximum Safe Operating Area

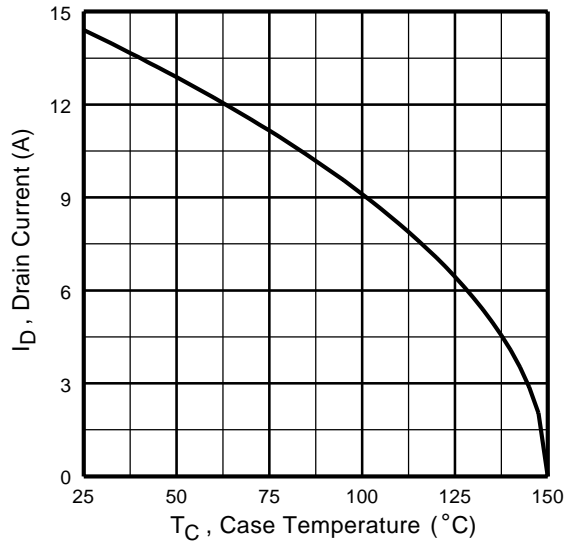


Fig 9. Maximum Drain Current Vs. Case Temperature

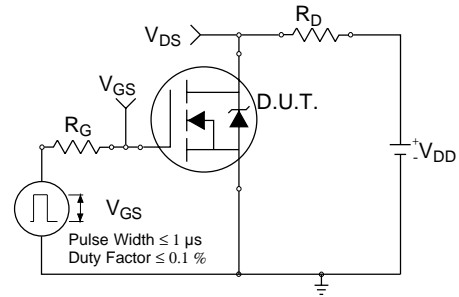


Fig10a. Switching Time Test Circuit

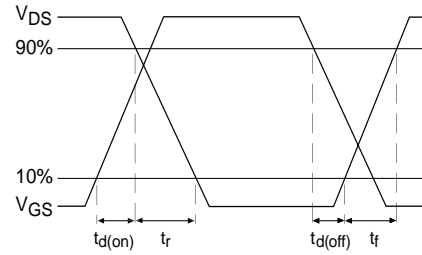


Fig 10b. Switching Time Waveforms

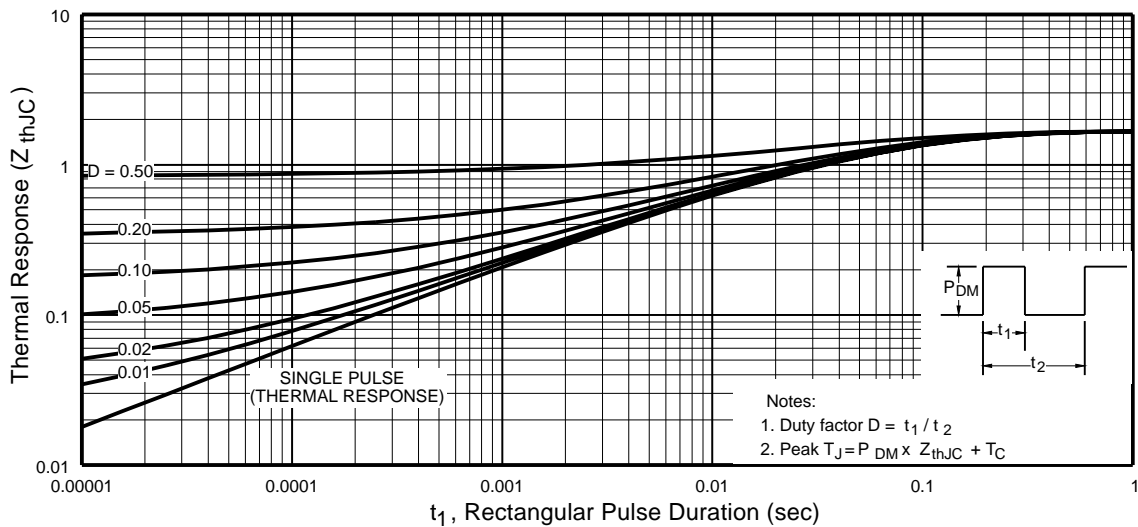


Fig 11. Maximum Effective Transient Thermal Impedance, Junction-to-Case

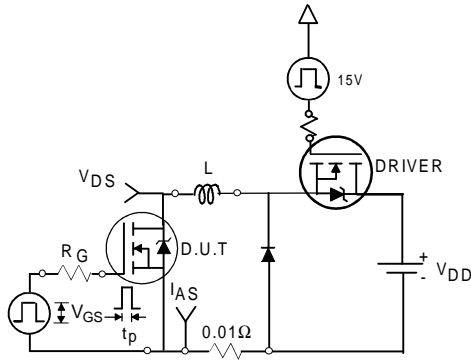


Fig 12a. Unclamped Inductive Test Circuit

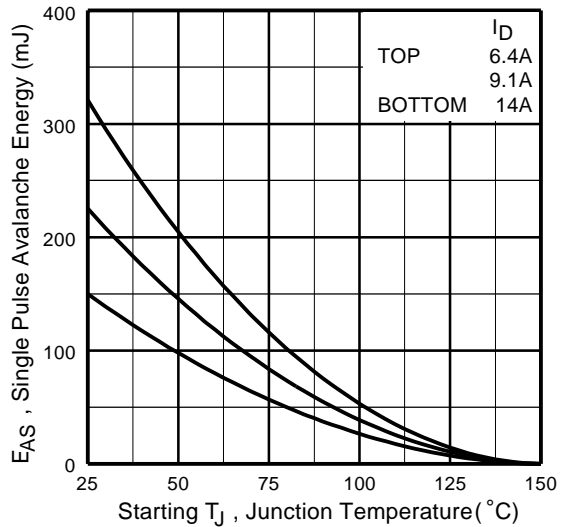


Fig 12c. Maximum Avalanche Energy Vs. Drain Current

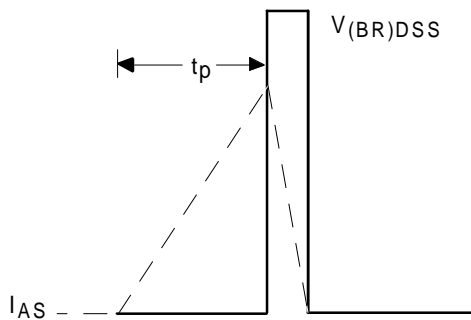


Fig 12b. Unclamped Inductive Waveforms

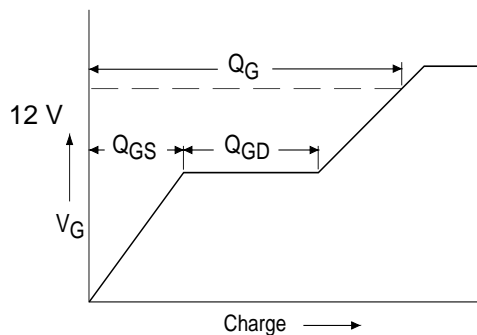


Fig13a. Basic Gate Charge Waveform

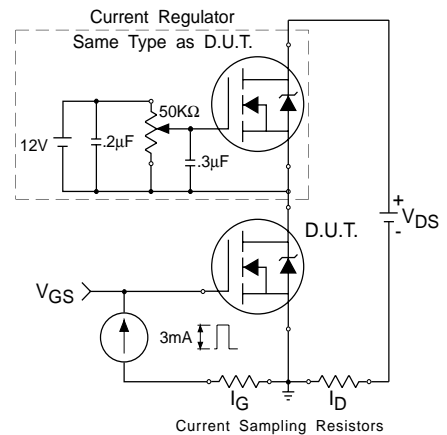
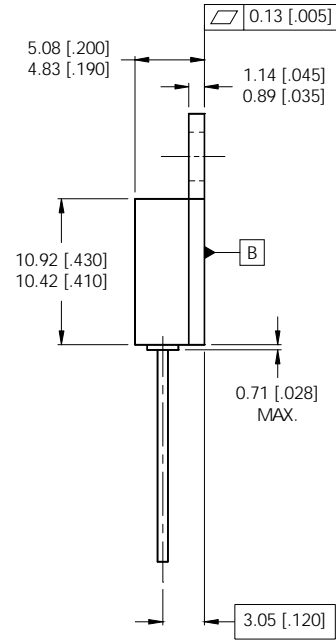
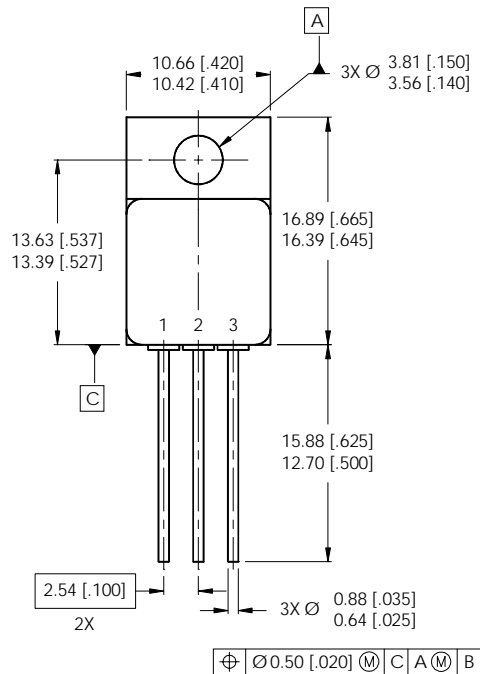


Fig 13b. Gate Charge Test Circuit

**Foot Notes:**

- ① Repetitive Rating; Pulse width limited by maximum junction temperature.
- ②  $V_{DD} = 25V$ , starting  $T_J = 25^\circ C$ ,  $L=1.45mH$   
Peak  $I_L = 14.4A$ ,  $V_{GS} = 12V$
- ③  $I_{SD} \leq 14.4A$ ,  $di/dt \leq 395A/\mu s$ ,  
 $V_{DD} \leq 100V$ ,  $T_J \leq 150^\circ C$
- ④ Pulse width  $\leq 300 \mu s$ ; Duty Cycle  $\leq 2\%$
- ⑤ **Total Dose Irradiation with  $V_{GS}$  Bias.**  
12 volt  $V_{GS}$  applied and  $V_{DS} = 0$  during irradiation per MIL-STD-750, method 1019, condition A.
- ⑥ **Total Dose Irradiation with  $V_{DS}$  Bias.**  
80 volt  $V_{DS}$  applied and  $V_{GS} = 0$  during irradiation per MIL-STD-750, method 1019, condition A.

**Case Outline and Dimensions — TO-257AA**



- NOTES:
1. DIMENSIONING & TOLERANCING PER ANSI Y14.5M-1994.
  2. CONTROLLING DIMENSION: INCH.
  3. DIMENSIONS ARE SHOWN IN MILLIMETERS [INCHES].
  4. OUTLINE CONFORMS TO JEDEC OUTLINE TO-257AA.

- PIN ASSIGNMENTS
- 1 = DRAIN
  - 2 = SOURCE
  - 3 = GATE

International  
**IR** Rectifier

IR WORLD HEADQUARTERS: 233 Kansas St., El Segundo, California 90245, USA Tel: (310) 252-7105  
TAC Fax: (310) 252-7903

Visit us at [www.irf.com](http://www.irf.com) for sales contact information.  
Data and specifications subject to change without notice. 12/01