

TOSHIBA MPEG-4 Audiovisual LSI

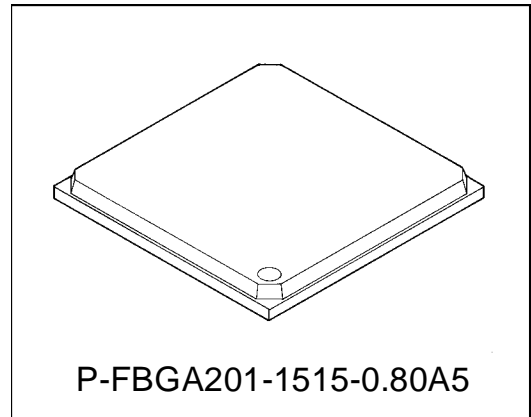
TC35273

Tentative Technical Data Sheet

MPEG-4 Audiovisual LSI

Features

- TC35273 is an MPEG-4 audiovisual codec LSI which supports 3GPP 3G-324M video telephony system. MPEG-4 video codec with QCIF (176x144 pixel) at 15 frames/s, AMR (Adaptive Multi Rate) speech codec, and ITU-T H.223 are executed concurrently at around 70MHz clock rate.
- Three signal processing units, an MPEG-4 video codec, a speech codec / audio decoder, and a multiplex / demultiplex unit, are integrated on a single chip.
- A 12-Mbit embedded DRAM is integrated as a shared memory for the three signal processing units. The embedded DRAM helps to reduce power consumption without performance degradation.
- Each signal processing unit consists of a 16-bit RISC processor and dedicated hardware accelerators so as to bring programmability, high performance and low power consumption.
- Firmware programs for the RISCs are downloaded into the embedded DRAM before starting operation. Various applications are performed by choosing an appropriate firmware.
- General host interface are adopted in order to support various host CPU.
- 2.5x to 6x of PLL is integrated on the chip for easy system integration.



- TOSHIBA continually is working to improve the quality and the reliability of its products. Nevertheless, semiconductor devices in general can malfunction or fail due to their inherent electrical sensitivity and vulnerability to physical stress. It is the responsibility of the buyer, when utilizing TOSHIBA products, to observe standards of safety, and to avoid situations in which a malfunction or failure of a TOSHIBA product could cause loss of human life, bodily injury or damage to property. In developing your designs, please ensure that TOSHIBA products are used within specified operating ranges as set forth in the most recent products specifications. Also, please keep in mind the precautions and conditions set forth in the TOSHIBA Semiconductor Reliability Handbook.
- The products described in this document are subject to foreign exchange and foreign trade laws.
- The information contained herein is presented only as a guide for the applications of our products. No responsibility is assumed by TOSHIBA CORPORATION for any infringements of intellectual property or other rights of the third parties which may result from its use. No license is granted by implication or otherwise under any intellectual property or other rights of TOSHIBA CORPORATION or others.
- The information contained herein is subject to change without notice.

-
- The circuit contained herein is presented only as a guide for the applications, and it is not guaranteed.
-

1. Functional Specifications

1.1 MPEG-4 Video Codec

- ISO MPEG-4 International Standard Simple Profile @Level 1 is supported. Encoding and decoding with QCIF (176 x 144 pixel) at 15 frames per second are executed.
- YCbCr 4:2:2 8bit digital camera input. A CMOS camera or an NTSC decoder is connected.
- Temporal filter and size conversion for pre-filter function.
- YCbCr 4:2:2 8bit digital display output. An NTSC encoder or an LCD controller is connected.
- Size conversion and de-blocking filter for post-filter function.

1.1.1. Speech Codec / Audio Decoder

- AMR Speech Codec at 8kbps with CS-ACELP.*
- ITU-T G.729 speech codec at 8Kbps with CS-ACELP.*
- ITU-T G.723.1 speech codec at 5.3kbps with ACELP, or 6.3kbps with MP-MLQ.*
- Stereo Twin-VQ audio decoder at 96kbps with up to 44.1-kHz sampling frequency.*
- ISO/IEC 13818-7 AAC LC audio decoder at 144kbps with up to 48-kHz sampling frequency.*
- PCM stereo or monoral sound input/output. An external microphone and a speaker are connected via DAC and ADC, respectively.

1.1.2. Multiplexer/Demultiplexer

- Multiplexing and demultiplexing with ITU-T H.223 and H.223 Annex A,B protocol at 32Kbps 384Kbps.*
- Demultiplexing with ITU-T H.222.0 / ISO/IEC13818-1 at 32Kbps 1024Kbps.*
- Bitstream input/output via a network serial interface.

* In order to run this LSI as an MPEG-4 audiovisual LSI, Specified firmware programs have to be obtained in advance

1.2. System configuration.

Fig. 1 illustrates a block diagram of this LSI. Three signal processing core, peripheral interfaces, and 12-Mbit DRAM are integrated in a single chip.

Bitstream input/output are performed via a network interface in the Mux/Demux core.

A Microphone and a speaker can be connected to a PCM interface in a speech/audio core via external DAC and ADC.

TOSHIBA CMOS camera is connected to a camera interface via a camera DSP “TC90A50F” or “TC90A70F”. NTSC camera is also connected via an NTSC decoder.

LCD or NTSC display is connected to an LCD interface via TOSHIBA LCD controller or an NTSC encoder, respectively.

Host CPU is connected via a host interfaces. It downloads firmwares into the embedded DRAM and accesses to internal registers.

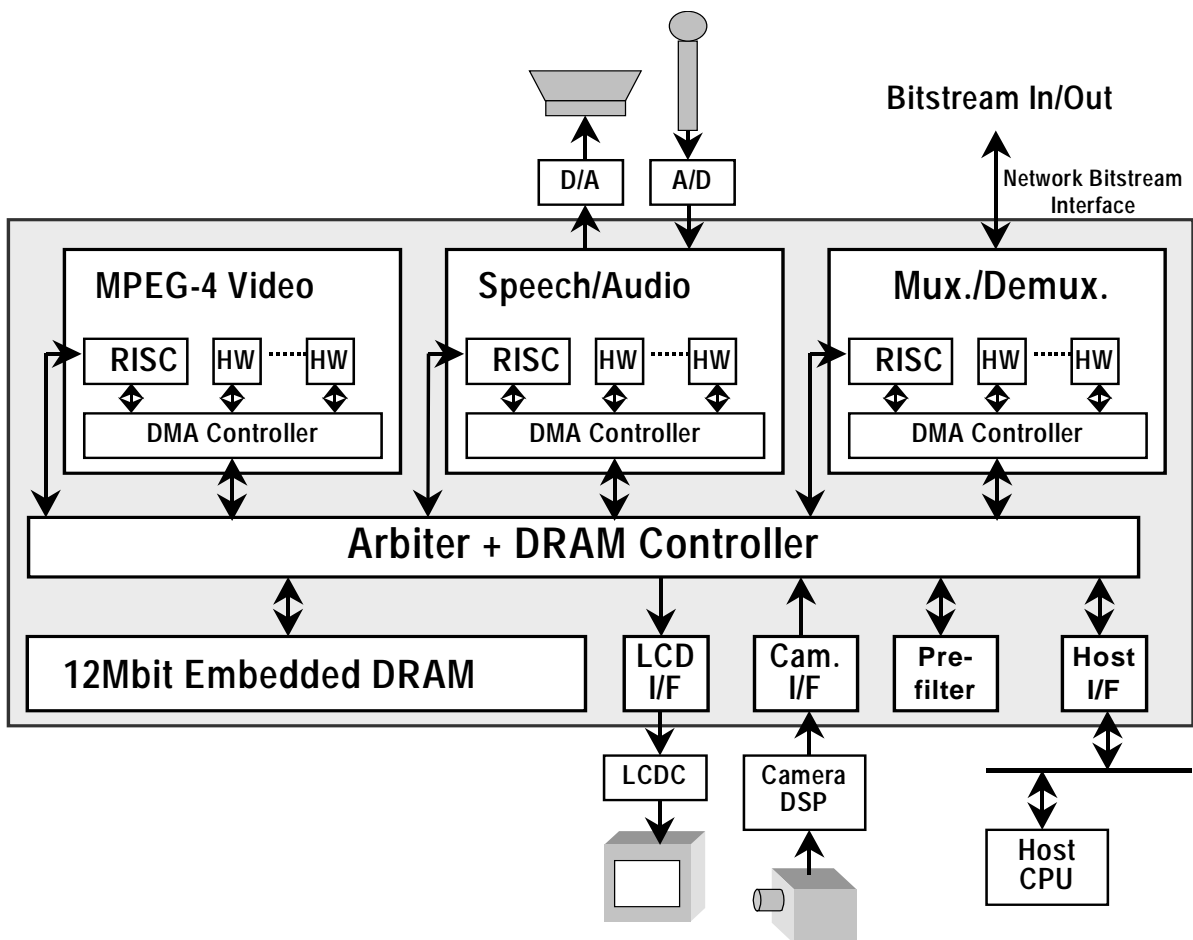


Fig. 1 Block Diagram

- 2. Terminals
 - 2.1 Pin Assignment
 - TBD
 - 2.2 Pin Allocation
 - TBD
 - 2.3 I/O Pins

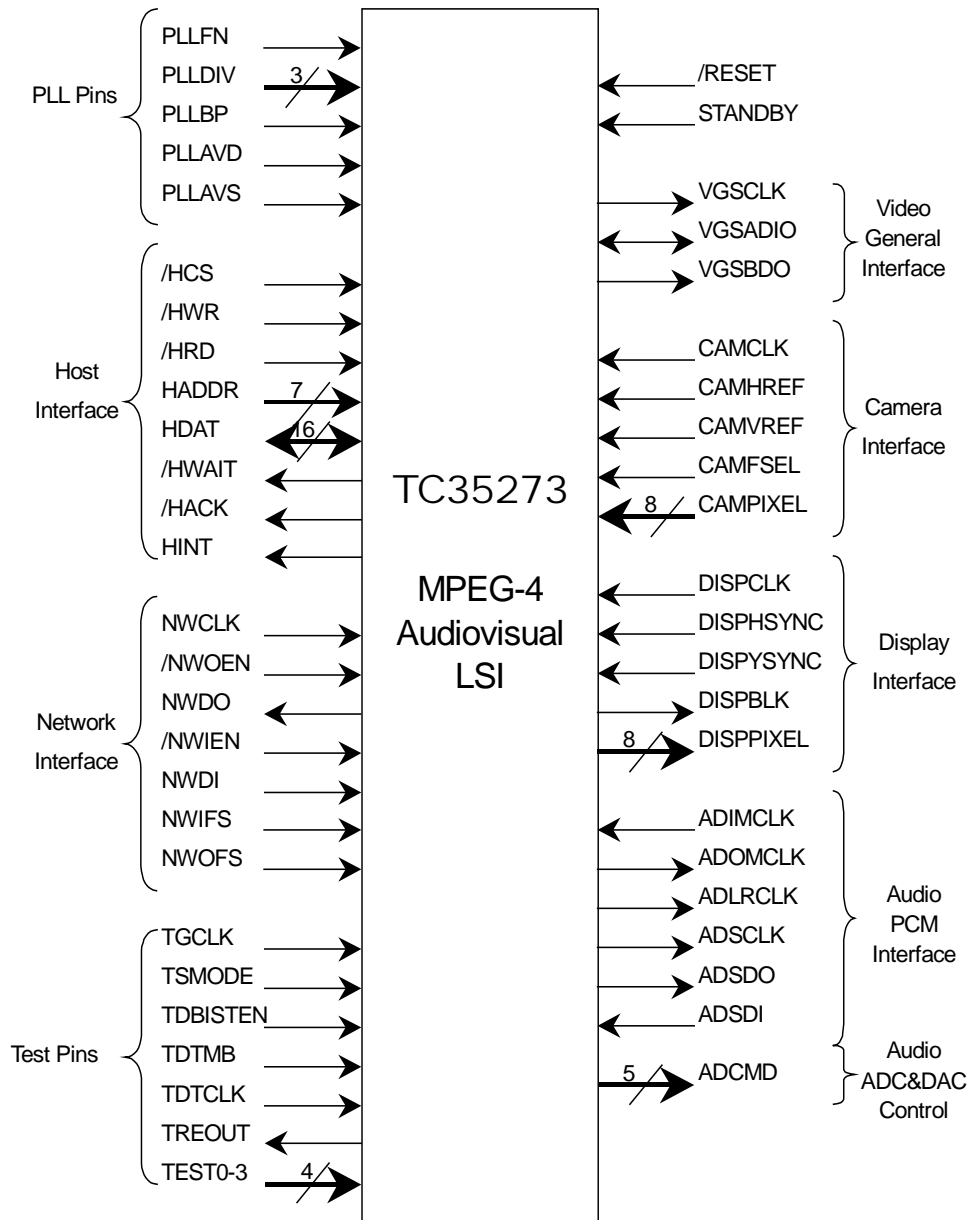


Fig. 2 Pin Map

Table 1. System Control Signals

Signal Name	In/Out	Bit Width	Description
/RESET	In	1	System Reset Input (Low Active). When the LSI is reset, the reset pin has to be low for more than 16 clock cycles. When power on, the LSI has to be reset after PLL locked. It takes approximately 100us until the PLL locked.
STANDBY	In	1	System Standby Input (High Active). When it is high, power is not supplied to the internal logic, SRAM, and DRAM. "0": Normal Operation. "1": Standby.

Table 2. PLL Control Signals

Signal Name	In/Out	Bit Width	Description
PLLFN	In	1	Reference Clock Input. It has to be 13.00MHz to 20MHz with +/- 10% duty.
PLLDIV[2:0]	In	3	System clock frequency select. System Clock = PLLFN * N. "000": N=2.5. "001": N=3.0. "010": N=3.5 "011": N=4.0. "100": N=4.5. "101": N=5.0. "110": N=5.5. "111": N=6.0.
PLLAVD	In	1	Analog PLL Power (VDD).
PLLAVS	In	1	Analog PLL Ground (VSS).

Table 3. Host Interface

Signal Name	In/Out	Bit Width	Description
/HCS	In	1	Chip enable input (low active). "0": Chip select. "1": Non operation.
/HWR	In	1	Write strobe (low active). "0": Write operation. "1": Non operation.
/HRD	In	1	Read Strobe (low active). "0": Read operation. "1": Non operation.
HADDR[6:0]	In	7	Address signal.
HDATA[15:0]	In/Out	16	Data signal.
HWAIT	Out	1	Bus wait signal (low active). "0": Wait. "1": Non wait.
HINT	Out	1	Interrupt signal (high active). "0": Non operation. "1": Interrupt operation.

Table 4 Video General Serial Interface

Signal Name	In/Out	Bit Width	Description
VGSClk	Out	1	General I/F clock output. Please open unless this interface is used.
VGSADIO	In/Out	1	Input/output of serial data on port A. Open unless this interface is used.
VGSBDO	Out	1	Output of serial data on port B. Open unless this interface is used.

Table 5 Video Camera Interface

Signal Name	In/Out	Bit Width	Description
CAMCLK	In	1	Clock signal from camera.
CAMHREF	In	1	HREF signal from camera.
CAMVREF	In	1	VREF signal from camera.
CAMFSEL	In	1	Field select signal from camera in an NTSC mode.
CAMPixel	In	8	Luminance and chrominance data from camera.

Table 6 Video Display Interface

Signal Name	In/Out	Bit Width	Description
DISPCLK	In	1	Clock signal from display.
/DISPHSYNC	In	1	HSYNC signal from display.
/DISPVSYNC	In	1	VSYNC signal from display.
/DISPBLK	Out	1	Blanking signal to display.
DISPPIXEL	Out	8	Luminance (Y) and chrominance (Cb,Cr) signal output.

Table 7 Audio ADC&DAC Interface

Signal Name	In/Out	Bit Width	Description
ADOMCLK	Out	1	Master clock to external ADC/DAC chips.
ADIMCLK	In	1	Master clock from external ADC/DAC chips.
ADLRCLK	Out	1	Input/output channel clock to external ADC/DAC chips.
ADSCCLK	Out	1	Audio serial data clock to external ADC/DAC chips.
ADSDI	In	1	Audio serial data input.
ADSDO	Out	1	Audio serial data output.

Table 8 Audio ADC&DAC Control Interface

Signal Name	In/Out	Bit Width	Description
ADCMD[4:0]	Out	5	Command to external ADC/DAC chips.

Table 9 Network Bit Stream Interface

Signal Name	In/Out	Bit Width	Description
NWCLK	In	1	Network clock.
/NWOEN	In	1	Network bit serial output enable.
/NWDO	Out	1	Network bit serial output data.
/NWIEN	In	1	Network bit serial input enable.
NWDI	In	1	Network bit serial input data.
NWIFS	In	1	Word synchronization for input data in the frame mode.
NWOFS	In	1	Word synchronization for output data in the frame mode.
NWINT	In	1	Frame signal input in the frame mode.

Table 10 Test Control Signal

Signal Name	In/Out	Bit Width	Description
TGCLK	In	1	Test terminal. Please connect to Vss.
TSMODE	In	1	Test terminal. Please connect to Vss.
TDBISTEN	In	1	Test terminal. Please connect to Vss.
TREOUT	Out	1	Test terminal. Please connect to open.
TDTMB	In	1	Test terminal. Please connect to Vss.
TDTCLK	In	1	Test terminal. Please connect to Vss.
TEST[2:0]	In	3	Test terminal. Please connect to Vss.

Table 11 Power Supply and GND

Signal Name	In/Out	Bit Width	Description
Vss			GND
Vdds			3.3V Vdd
Vdd2			2.5V Vdd

3. Interface Specifications

3.1 Host Interface

An external host CPU accesses to TC35273 via a host interface. The access timing of a read, a write, and an interrupt operation are explained below. The host interface has two access modes; a handshake access mode and a synchronized access mode.

3.1.1 Handshake access mode

In this mode, the host CPU has to finish an access operation after a waiting signal (/HWAIT) becomes high.

Fig.3 shows the timing diagram of a read operation. A read access starts by asserting both a chip select signal (/HCS) and a read signal (/RD) (timing (a)). At this timing, /HWAIT becomes low. When the read data are ready, /HWAIT becomes high (timing (b)). The host CPU gets the read data and finishes the read operation by negating both /HCS and /HRD (timing (c)).

Fig.4 shows the timing diagram of a write operation. A write access starts by asserting both /HCS and a write signal (/WR) (timing (a)). At this timing, /HWAIT becomes low. When TC35273 gets the write data, /HWAIT becomes high (timing (b)). After that, the host CPU finishes the write operation by negating both /HCS and /HWR (timing (c)).

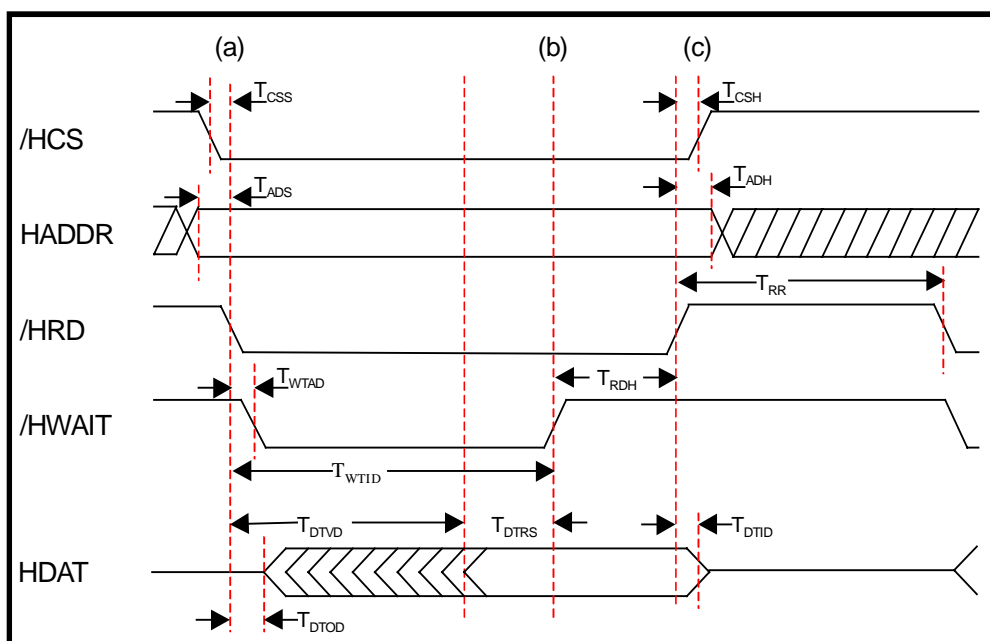


Fig. 3 Read Operation in handshake mode

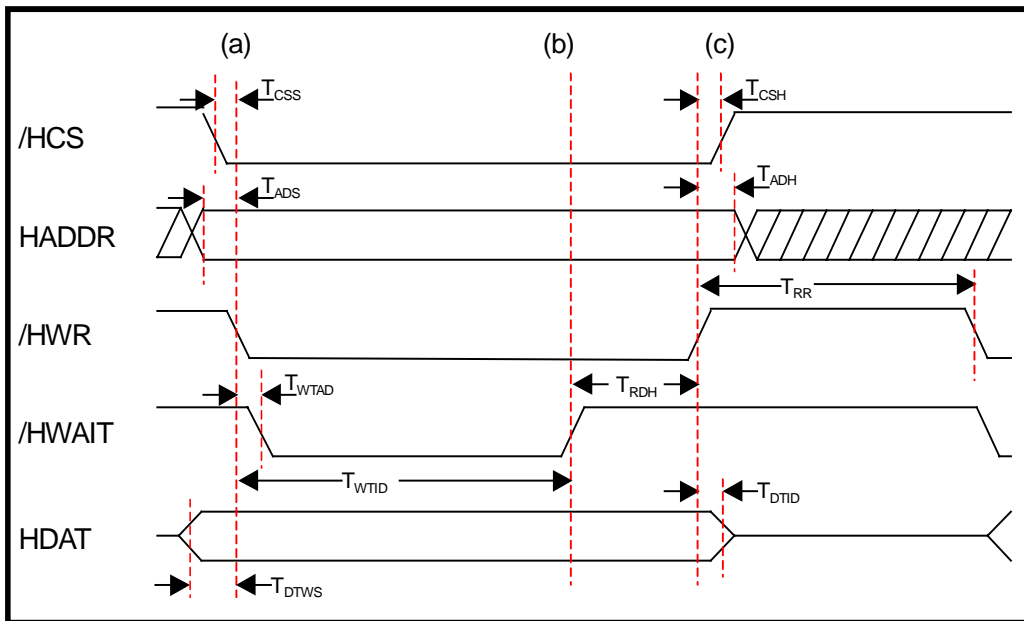


Fig. 4 Write Operation in handshake mode

3.1.2 Synchronized access mode

In this mode, a host CPU accomplishes an access to TC35273 in the specified period without a handshake. However, when the host CPU accesses to the embedded DRAM in TC35273, it has to check whether the next access is available or not by checking a status register before the access.

Fig.5 shows the timing diagram of a read operation. A read access starts by asserting both a chip select signal (/HCS) and a read signal (/RD) (timing (a)). After the specified cycles indicated as T_{acs} , the host CPU gets the read data and finishes the read operation by negating both /HCS and /HRD (timing (b)).

Fig.6 shows the timing diagram of a write operation. A write access starts by asserting both /HCS and a write signal (/WR) (timing (a)). After the specified cycles, the host CPU finishes the write operation by negating both /HCS and /HWR (timing (b)).

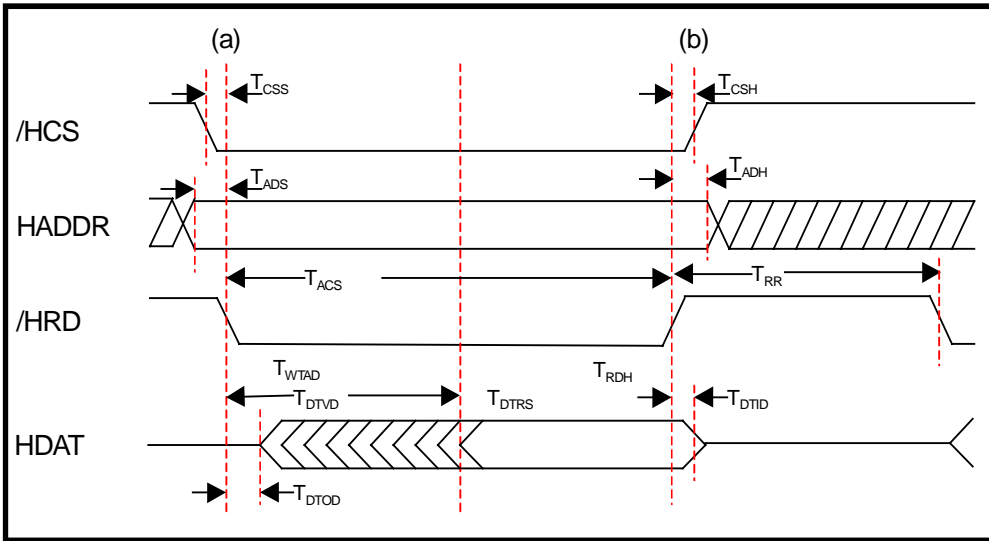


Fig.5 Read Operation in Synchronization mode

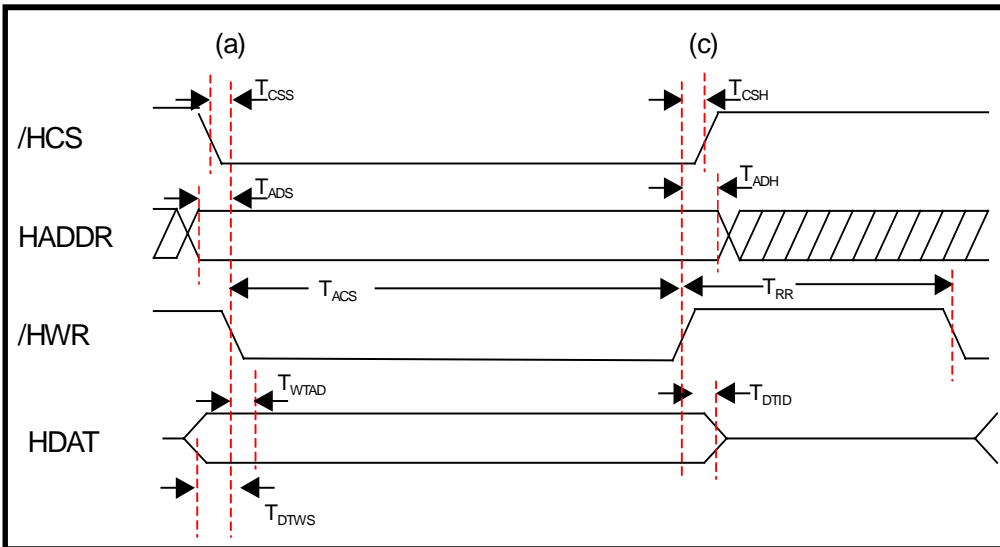


Fig.6 Write Operation in Synchronization Mode

3.1.3 Interrupt

An interrupt to the external host CPU is performed as follows.

(a) HINT Active

When an interrupt is requested by TC35273, HINT becomes high (timing (a)).

(b) Clear HINT

The host CPU detects the interrupt request by HINT. The CPU also detects the interrupt causes by reading an interrupt status register in the host interface of TC35273. When the CPU reads the register at the timing (b), The CPU detects the interrupt causes occurring during the timing (a) and (b). HINT is cleared when the CPU reads the interrupt status register.

(c) Multiple Interrupt

Even if another interrupt is requested during the timing (b) and (c), The assertion of HINT is suspended to the timing (c).

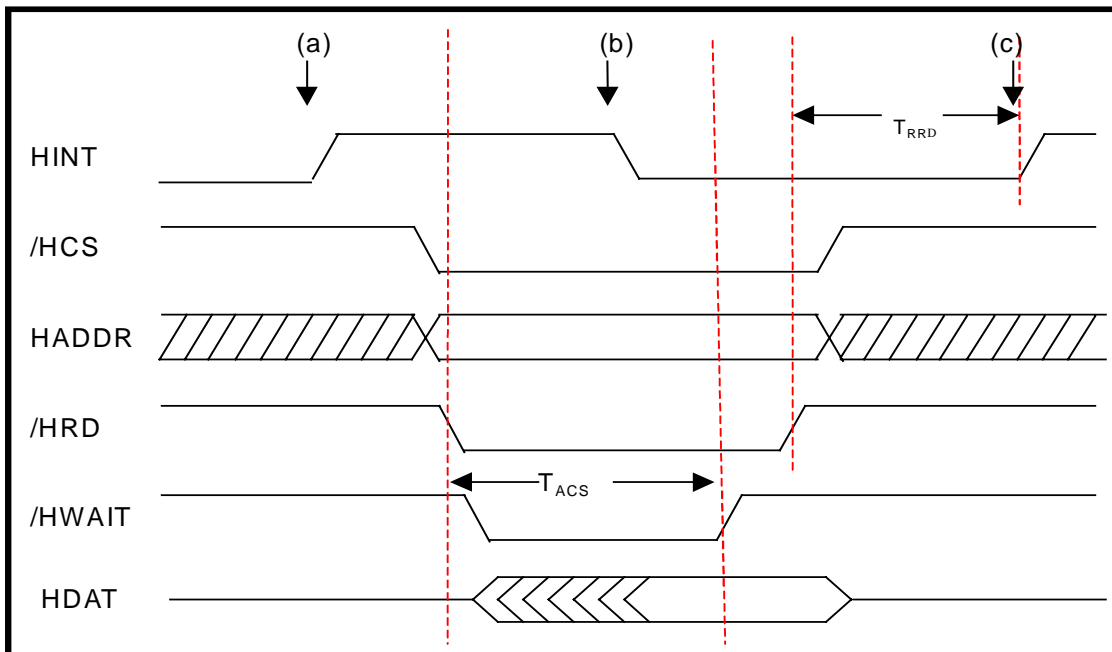


Fig. 7 Interrupt Operation

Table 12 Host Interface Timing

Parameters	Description	Min	Max	Unit
T _{CSS}	Setup time of HCS.	0.0		ns
T _{CSH}	Hold time of HCS.	0.0		ns
T _{ADS}	Setup time of Address.	0.0		ns
T _{ADH}	Hold time of Address.	0.0		ns
T _{WTAD}	Delay time of /HWAIT for /HRD or /HWR.		15.0	ns
T _{WTID}	Access time in handshake access mode.*	T _{SYSClk} *3	T _{SYSClk} *100	ns
T _{ACS}	Access time in synchronized access mode.	T _{SYSClk} *3		ns
T _{ACID}	Delay time of HACK		15.0	ns
T _{DTOD}	Delay time of Data.		15.0	ns
T _{DTVD}	Data hold time.	T _{SYSClk} *2	T _{SYSClk} *99	ns
T _{DTRS}	Read data setup time.	T _{SYSClk} *1		ns
T _{DTWS}	Write data setup time.	0.0		ns
t _{DTID}	Data hold time.		15.0	ns
T _{RDH}	Hold time of /HRD.	0.0		ns
T _{RR}	Recovery time of /HRD or /HWR	T _{SYSClk} *3		ns

* T_{SYSClk} means the cycle time of TC35274 internal system clock.

* Access to internal DRAM requires T_{sysclk}*100 (ns) in a worst case. As for the others accesses, it takes 3 cycles of the internal system clock.

3.2 Video General Serial Interface

This interface is reserved to control an external camera or an LCD. It is not supported now.

3.3 Video Camera Interface

A CMOS Camera or a CCD Camera is connected via Toshiba CMOS camera DSP "TC90A50F" or "TC90A70F", or an ordinary NTSC decoder LSI. Fig.6, 7, 8 shows the timing diagrams of the camera signal input. When an NTSC decoder is used, TC35273 captures either an odd field or an even field by using CAMFSEL.

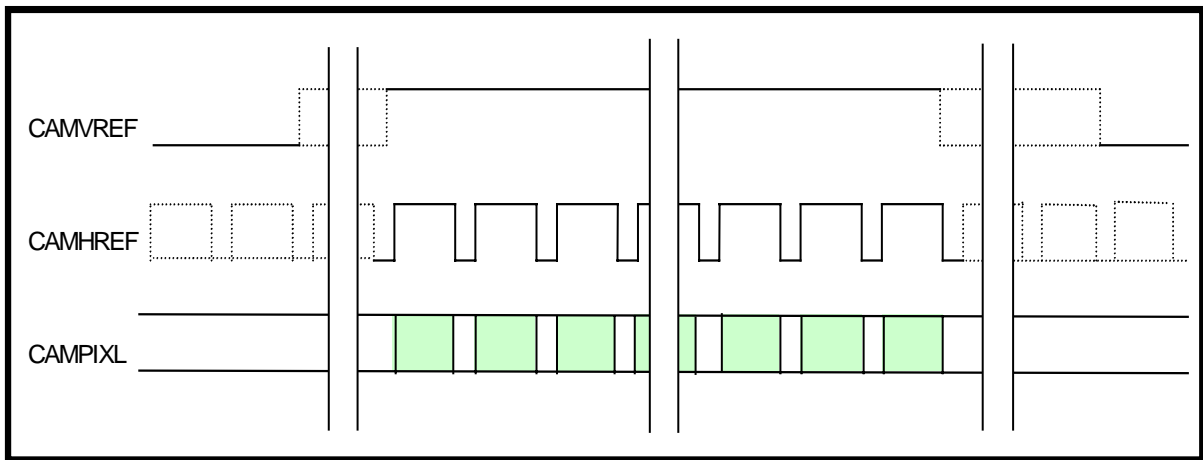


Fig. 8 Frame Based CAMVREF Timing Diagram

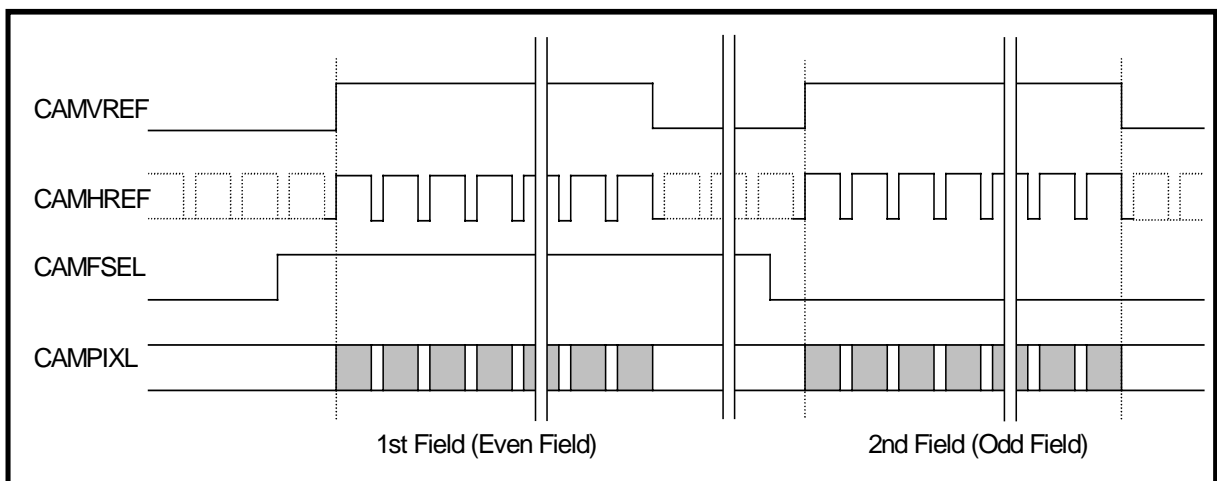


Fig. 9 Field Based (NTSC) CAMVREF Timing Diagram

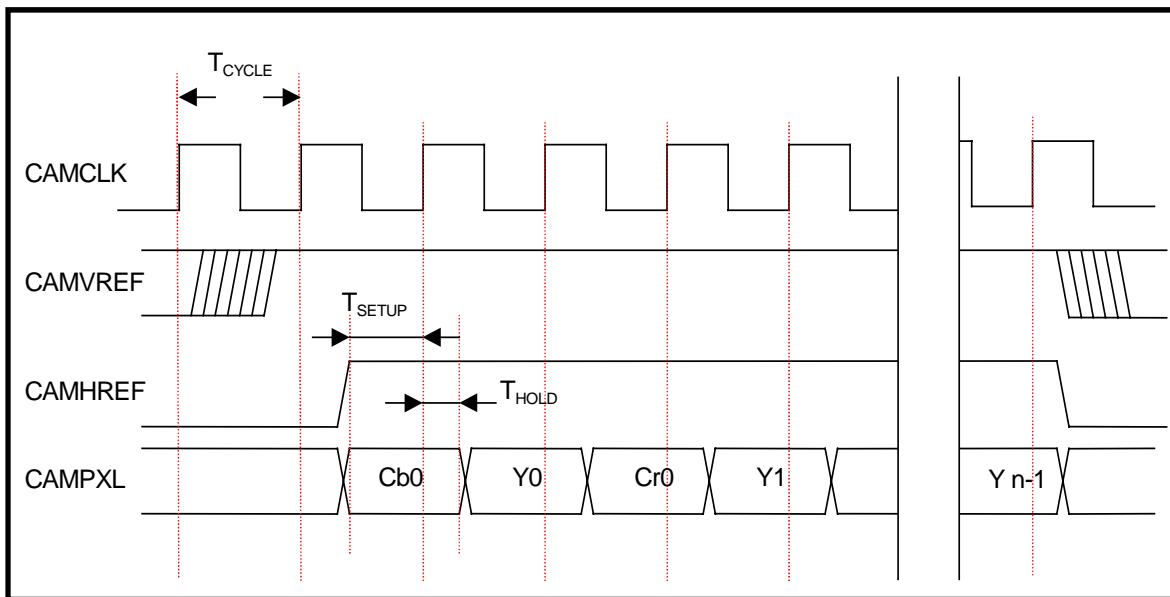


Fig. 10 Camera Interface Timing Diagram

Table 13 Camera Interface Timing

Parameter	Description	Min	Max	Unit
T_{CYCLE}	Clock cycle of CAMCLK (up to 27MHz)	35		ns
T_{SETUP}	Setup time of CAMVREF, CAMHREF, CAMPIXEL	$(T_{SYSCLK} * 1) + 2$		ns
T_{HOLD}	Hold time of CAMVREF, CAMHREF, CAMPIXL	2		ns

3.4 Video Display Interface

The video display interface outputs image data with YCbCr 4:2:2 8-bit digital format. An external LCD controller is required for the connection to an LCD or a monitor.

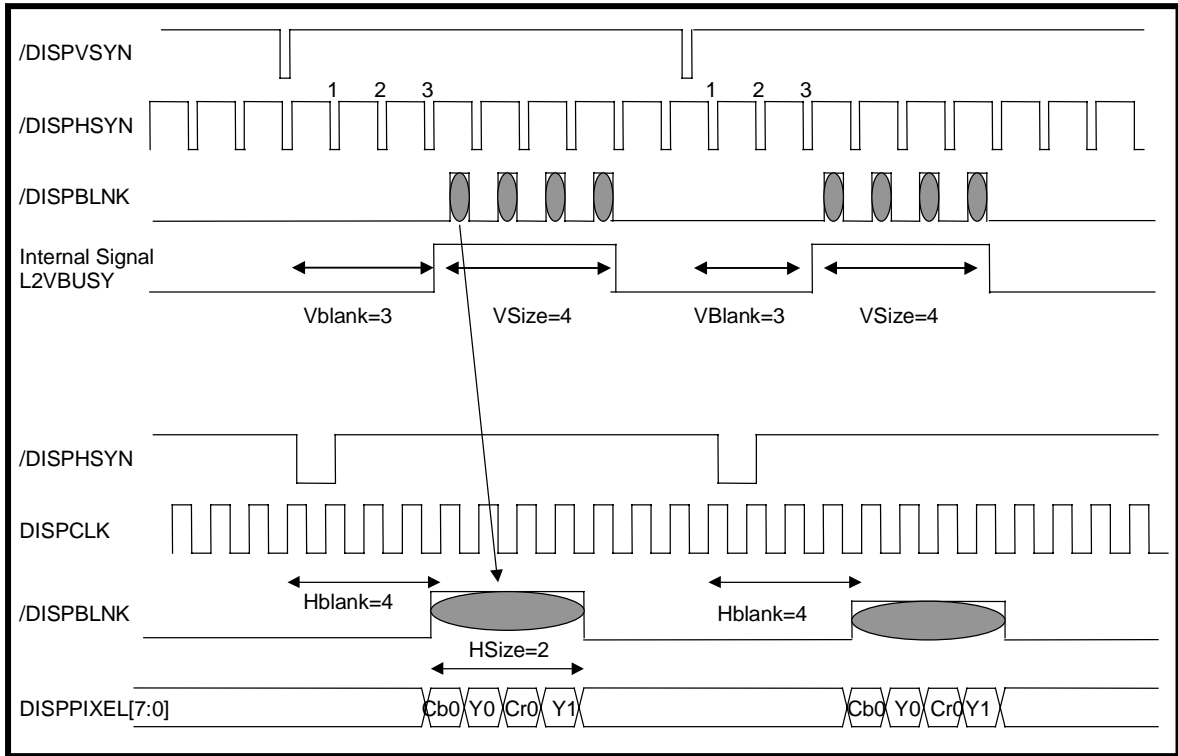


Fig. 11 Timing Diagram of Display Interface.

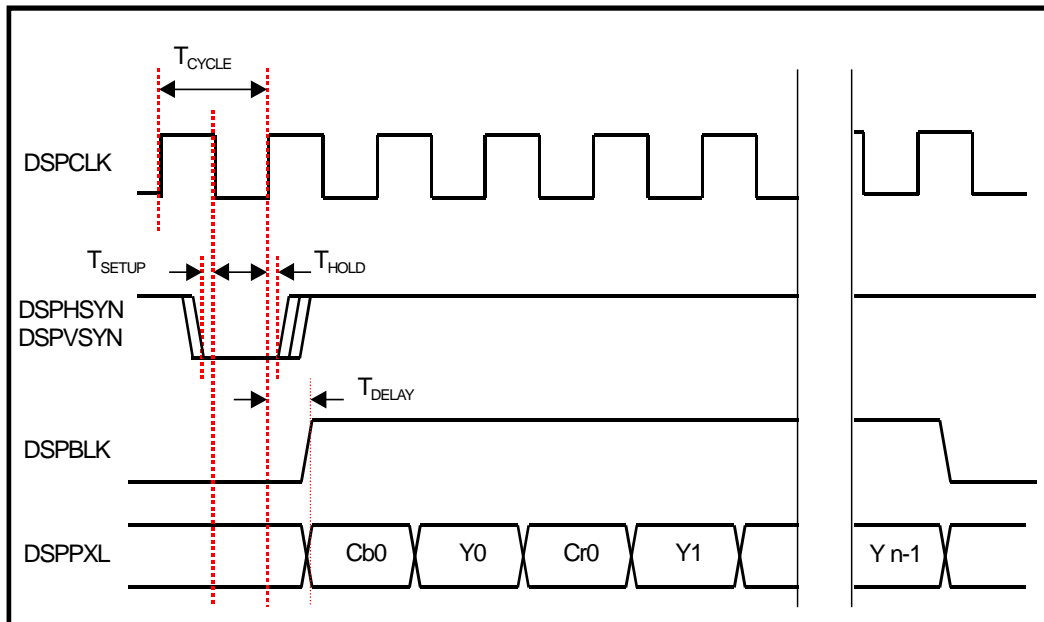


Fig. 12 Detail Timing Diagram of Display Interface.

Table 14 Display Interface Timing

Parameter	Description	Min	Max	Unit
T _{CYCLE}	Cycle time of DISPCLK	100		ns
T _{SETUP}	Setup time of DISPHSYN and DISPVSYN	2		ns
T _{HOLD}	Hold time DISPHSYN and DISPVSYN	2		ns
T _{DELAY}	Delay time of DISPBLK and DISPPXL		(T _{SYSCLK} *3)+15	ns

* When system clock is 40MHz, DSPCLK has to be less than 10MHz.

3.5 Audio ADC&DAC Interface

Asani-kasei “AK4158” and “AK4323” are connected for external ADC and DAC, respectively.

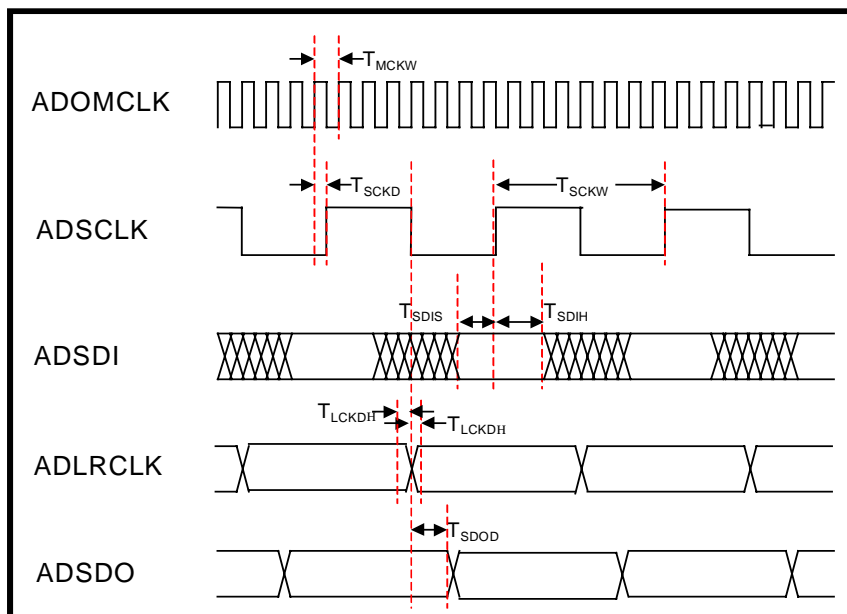


Fig. 13 Audio ADC&DAC Interface

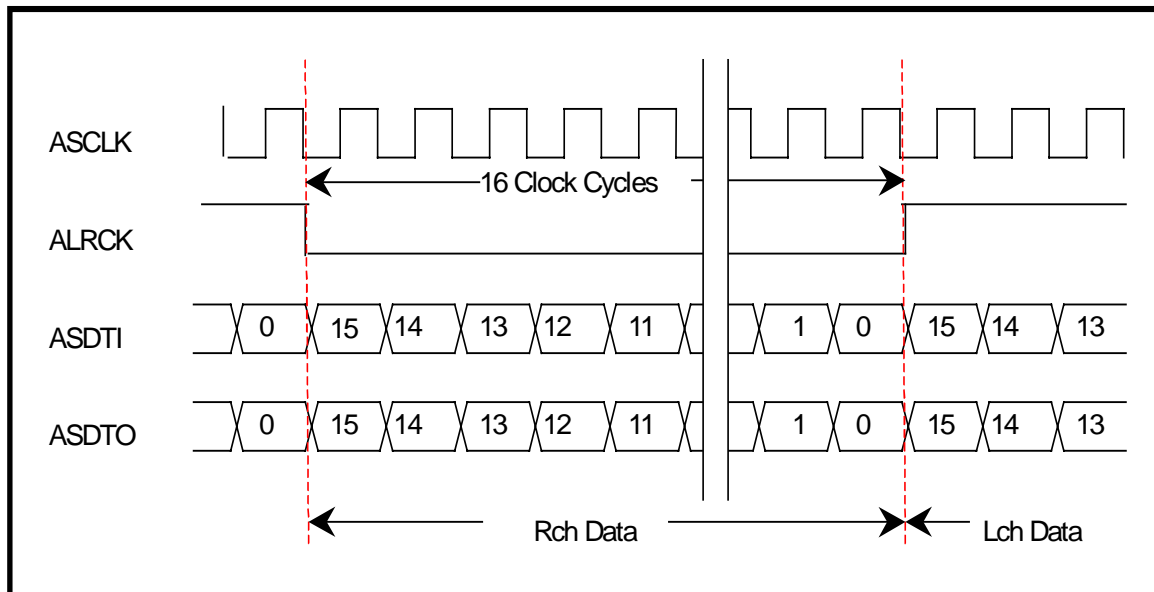


Fig. 14 Audio ADC&DAC Interface (Master clock output mode).

Table 15 Audio ADC&DAC Interface Timing (Master clock output mode).

Parameter	Description	Min	Max	Unit
T _{MCKW}	Clock cycle period of ADOMCLK.	80		ns
	Duty ratio of ADOMCLK.	50+/-10		%
T _{SCKW}	Clock cycle period of ADSCLK.	T _{MCKW} *8		ns
	Delay time from ADOMCLK to ADKCLK.		T _{SYSCLK} *2	ns
T _{SDIS}	Setup time of ADSDI.	T _{SYSCLK} *1		ns
T _{SDIH}	Hold time of ADSDI.	T _{SYSCLK} *4		ns
T _{LCKD}	Delay time from ADSCLK to ADLRCLK.		T _{SYSCLK} *1	ns
T _{SDOD}	Delay time from ADSCLK to ADSDO.		T _{SYSCLK} *6	ns

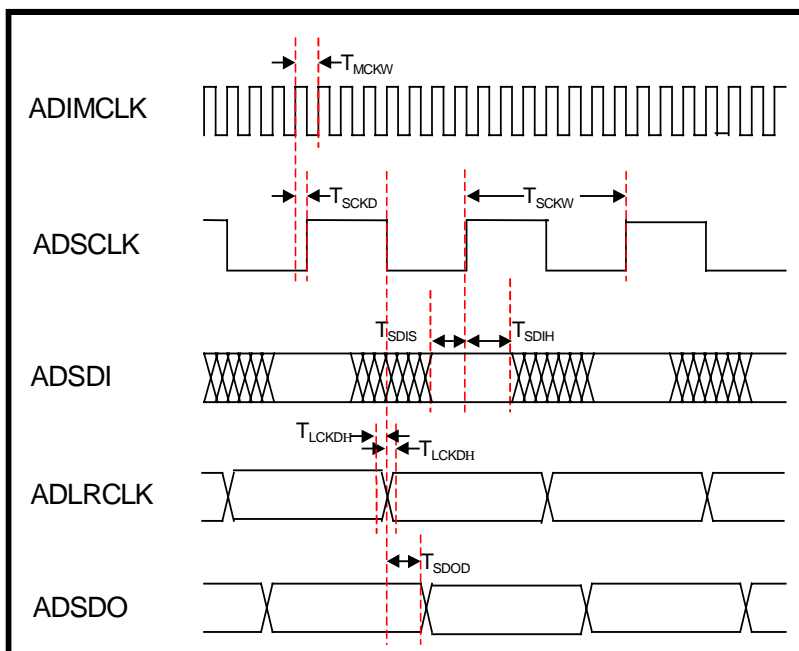


Fig. 15 Audio ADC&DAC Interface (Master clock input mode).

Table 16 Audio ADC&DAC Interface Timing (Master clock input mode).

Parameter	Description	Min	Max	Unit
T_{MCKW}	Cycle time of ADIMCLK.	80		ns
	Duty ratio of ADIMCLK.	50±10		%
T_{SCKW}	Cycle time of ADSCLK.	$T_{MCKW} * 8$		ns
	Delay time from ADIMCLK to ADSCLK.		$T_{SYSCLK} * 3$	ns
T_{SDIS}	Setup time of ADSDI.	$T_{SYSCLK} * 1$		ns
T_{SDIH}	Hold time of ADSDI.	$T_{SYSCLK} * 4$		ns
T_{LCKD}	Delay time from ADSCLK to ADLRCLK.		$T_{SYSCLK} * 1$	ns
T_{SDOD}	Delay time from ADSCLK from ADSDO.		$T_{SYSCLK} * 6$	ns

3.6 Network Bit Stream Interface

The multiplexed audiovisual bitstream data are transferred to/from a baseband LSI via a network bit stream interface. This is full-duplex interface and has two operation modes; a bit serial mode and a frame mode.

(1) Bit Serial Mode

Serial data are transferred when an enable signal indicates the data validity. In this mode, frame and synchronization informations are contained in the transferred data.

TC35273 receives the transferred data via the NWDI pin at the negedge of the network clock "NWCLK" if the input enable signal "NWIEN" shows the data validity. (When NWIEN is low, the data are valid.) TC35273 also sends the data via the NWDO pin at the posedge of NWCLK if the output enable signal "NWOEN" is high.

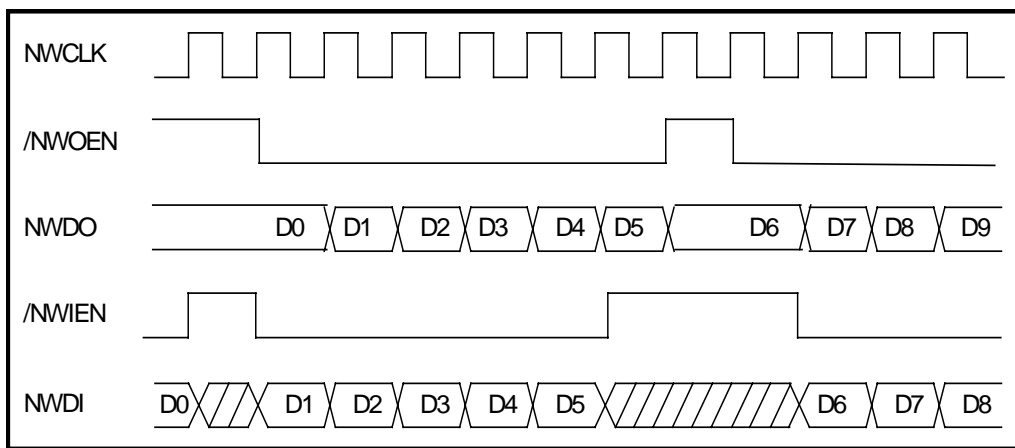


Fig. 16 Network bit stream timing diagram (bit serial mode).

(2) Frame Mode

The data are transferred in accordance with both a frame signal "NWINT" and a word synchronization signal. "NWIFS" and "NWOFS" are used for the word synchronization in the data receive and the data send, respectively. After NWIFS or NWOFS becomes high, 16-bit data are transferred. When the data transfer is finished in the frame, NWIFS or NWOFS does not becomes high. In this case, the output data are fixed to low, and the input data are ignored.

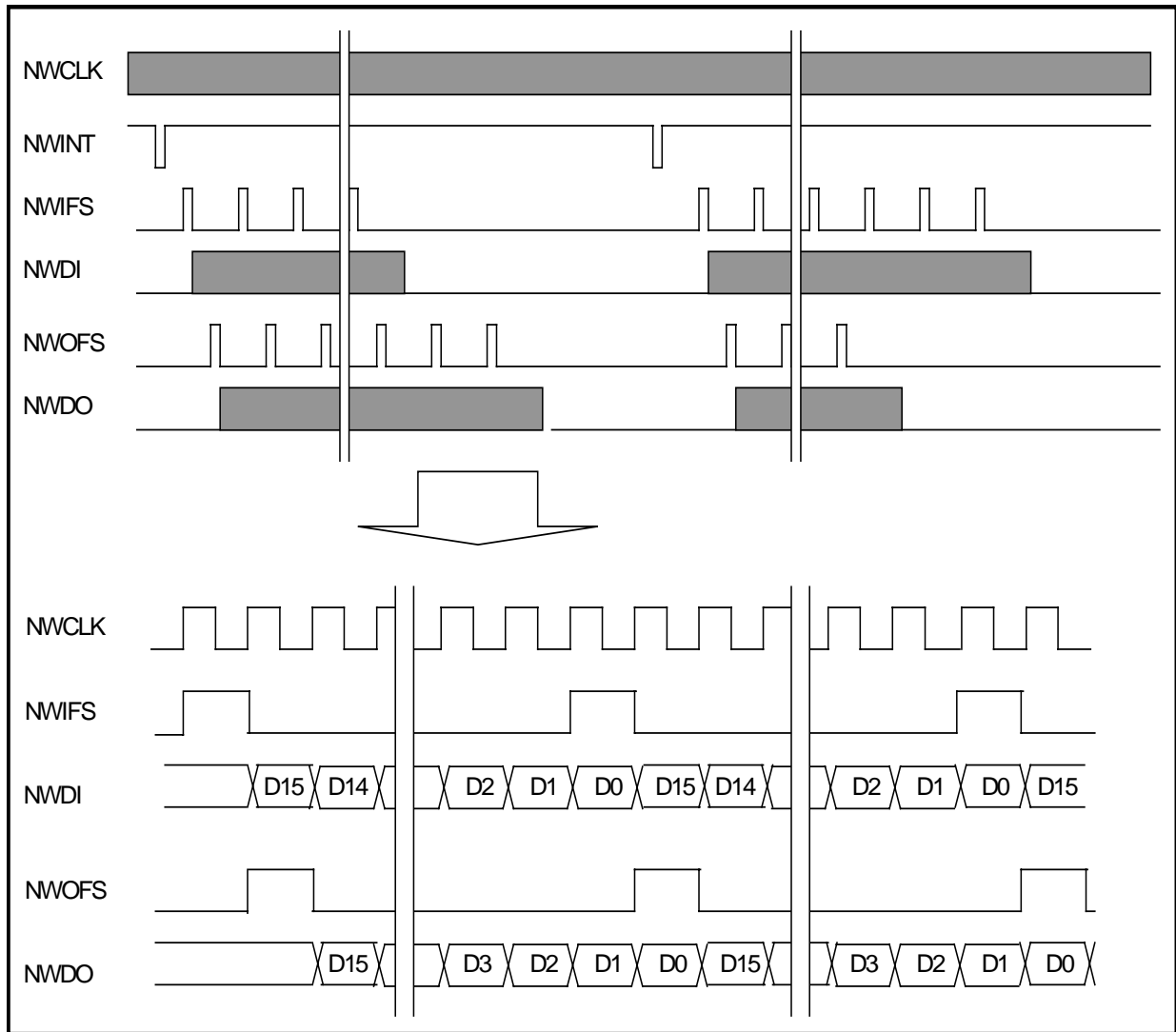


Fig. 17 Network bit stream timing diagram (frame mode).

Fig. 18 indicates the detail timing diagram of the network bitstream interface.

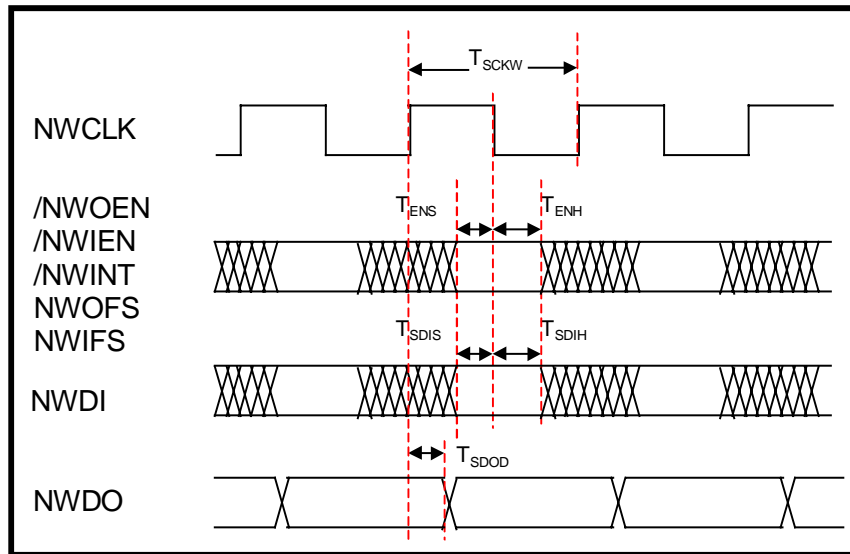


Fig. 18 Detailed Network Bit Stream Interface.

Table 17 Network bit stream timing.

Parameter	Description	Min	Max	Unit
T_{SCKW}	Cycle time of NWCLK.	1000		ns
	Duty ratio of NWCLK.	50+/-10		%
T_{ENS}	Setup time of /NWOEN, /NWIEN, /NWINT, NWOFS, and NWIFS	$T_{SYSCLK} * 3$		ns
T_{ENH}	Hold time of /NWOEN, /NWIEN, /NWINT, NWOFS, and NWIFS	$T_{SYSCLK} * 1$ 2		ns
T_{SDIS}	Setup time of NWDI	$T_{SYSCLK} * 3$		ns
T_{SDIH}	Hold time of NWDI	$T_{SYSCLK} * 1$ 2		ns
T_{SDOD}	Delay time from NWCLK to NWDO		$T_{SYSCLK} * 12$	ns

T_{SYSCLK} is the cycle time of the internal clock in TC35273.

4. Electric Specifications

4.1 TBD.