



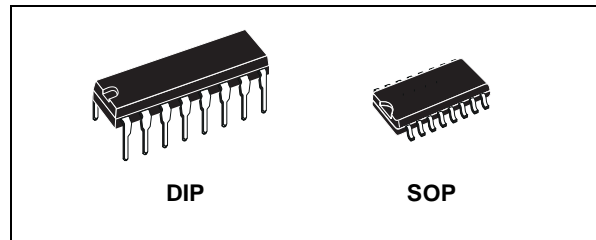
HCF4020B

RIPPLE-CARRY BINARY COUNTER/DIVIDERS 14 STAGE

- MEDIUM SPEED OPERATION :
16MHz (Typ.) at $V_{DD} = 10V$
- FULLY STATIC OPERATION
- COMMON RESET
- BUFFERED INPUTS AND OUTPUTS
- STANDARDIZED SYMMETRICAL OUTPUT CHARACTERISTICS
- QUIESCENT CURRENT SPECIFIED UP TO 20V
- 5V, 10V AND 15V PARAMETRIC RATINGS
- INPUT LEAKAGE CURRENT
 $I_l = 100nA$ (MAX) AT $V_{DD} = 18V$ $T_A = 25^\circ C$
- 100% TESTED FOR QUIESCENT CURRENT
- MEETS ALL REQUIREMENTS OF JEDEC JESD13B " STANDARD SPECIFICATIONS FOR DESCRIPTION OF B SERIES CMOS DEVICES"

DESCRIPTION

HCF4020B is a monolithic integrated circuit fabricated in Metal Oxide Semiconductor technology available in DIP and SOP packages. HCF4020B is a ripple carry binary counter. All counter stages are master-slave flip-flops. The



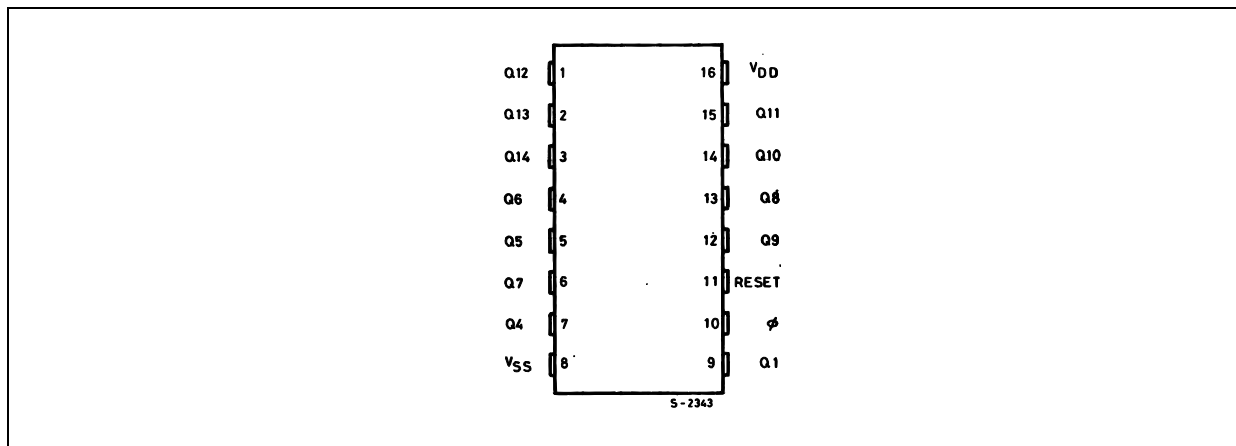
ORDER CODES

| PACKAGE | TUBE | T & R |
|---------|------------|---------------|
| DIP | HCF4020BEY | |
| SOP | HCF4020BM1 | HCF4020M013TR |

state of a counter advances one count on the negative transition of each input pulse; a high level on the RESET line resets the counter to its all zeros stage. Schmitt trigger action on the input pulse line permits unlimited clock rise and fall times.

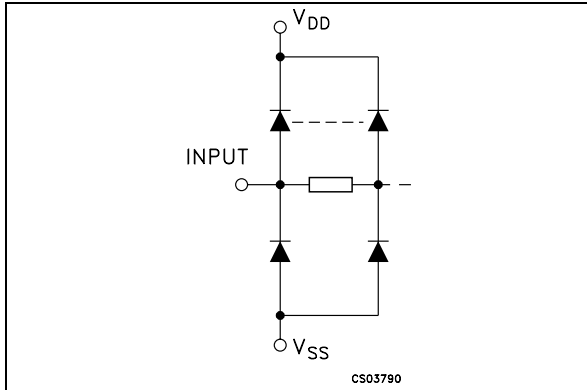
All inputs and outputs are buffered.

PIN CONNECTION



HCF4020B

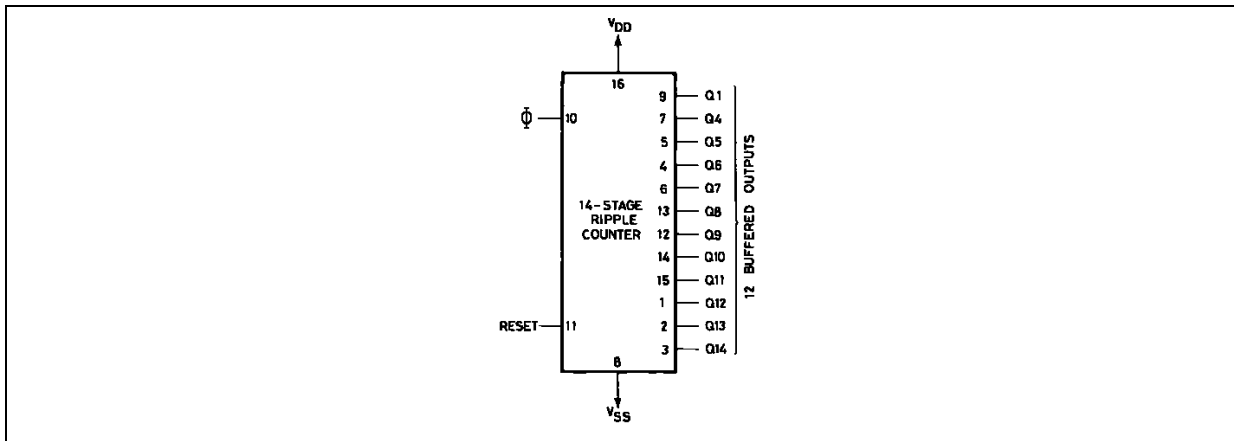
INPUT EQUIVALENT CIRCUIT



PIN DESCRIPTION

| PIN No | SYMBOL | NAME AND FUNCTION |
|--|-----------------|-------------------------|
| 9, 7, 5, 4, 6, 13, 12, 14, 15, 1, 2, 3 | Q1, Q4 to Q14 | 14 Buffered Outputs |
| 11 | RESET | Reset Input |
| 10 | Φ | Input Pulses |
| 8 | V _{SS} | Negative Supply Voltage |
| 16 | V _{DD} | Positive Supply Voltage |

FUNCTIONAL DIAGRAM

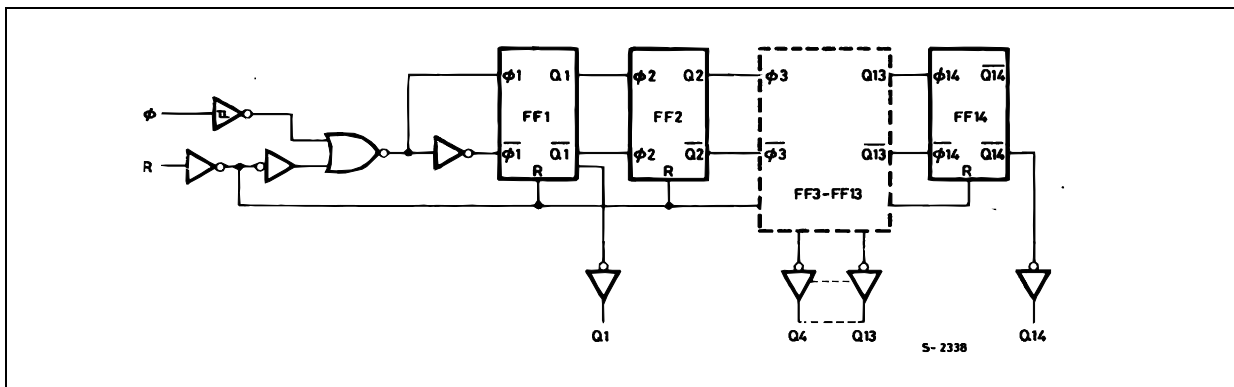


TRUTH TABLE

| Φ | RESET | OUTPUT STATE |
|--------|-------|-----------------------|
| X | H | ALL OUTPUTS = "L" |
| | L | NO CHANGE |
| | L | ADVANCE TO NEXT STATE |

X : Don't Care

LOGIC DIAGRAM



ABSOLUTE MAXIMUM RATINGS

| Symbol | Parameter | Value | Unit |
|-----------|---|------------------------|------|
| V_{DD} | Supply Voltage | -0.5 to +22 | V |
| V_I | DC Input Voltage | -0.5 to $V_{DD} + 0.5$ | V |
| I_I | DC Input Current | ± 10 | mA |
| P_D | Power Dissipation per Package | 200 | mW |
| | Power Dissipation per Output Transistor | 100 | mW |
| T_{op} | Operating Temperature | -55 to +125 | °C |
| T_{stg} | Storage Temperature | -65 to +150 | °C |

Absolute Maximum Ratings are those values beyond which damage to the device may occur. Functional operation under these conditions is not implied.

All voltage values are referred to V_{SS} pin voltage.

RECOMMENDED OPERATING CONDITIONS

| Symbol | Parameter | Value | Unit |
|----------|-----------------------|---------------|------|
| V_{DD} | Supply Voltage | 3 to 20 | V |
| V_I | Input Voltage | 0 to V_{DD} | V |
| T_{op} | Operating Temperature | -55 to 125 | °C |

DC SPECIFICATIONS

| Symbol | Parameter | Test Condition | | | | Value | | | | | | Unit | |
|-----------------|---------------------------|-----------------------|-----------------------|---------------------------------|------------------------|-----------------------|---------------|-----------|-------------|---------|--------------|---------|---------|
| | | V _I (V) | V _O (V) | I _{OL} (μ A) | V _{DD} (V) | T _A = 25°C | | | -40 to 85°C | | -55 to 125°C | | |
| | | | | | | Min. | Typ. | Max. | Min. | Max. | Min. | | Max. |
| I _L | Quiescent Current | 0/5 | | | 5 | | 0.04 | 5 | | 150 | | 150 | μ A |
| | | 0/10 | | | 10 | | 0.04 | 10 | | 300 | | 300 | |
| | | 0/15 | | | 15 | | 0.04 | 20 | | 600 | | 600 | |
| | | 0/20 | | | 20 | | 0.08 | 100 | | 3000 | | 3000 | |
| V _{OH} | High Level Output Voltage | 0/5 | | <1 | 5 | 4.95 | | | 4.95 | | 4.95 | | V |
| | | 0/10 | | <1 | 10 | 9.95 | | | 9.95 | | 9.95 | | |
| | | 0/15 | | <1 | 15 | 14.95 | | | 14.95 | | 14.95 | | |
| V _{OL} | Low Level Output Voltage | 5/0 | | <1 | 5 | | | 0.05 | | 0.05 | | 0.05 | V |
| | | 10/0 | | <1 | 10 | | | 0.05 | | 0.05 | | 0.05 | |
| | | 15/0 | | <1 | 15 | | | 0.05 | | 0.05 | | 0.05 | |
| V _{IH} | High Level Input Voltage | | 0.5/4.5 | <1 | 5 | 3.5 | | | 3.5 | | 3.5 | | V |
| | | | 1/9 | <1 | 10 | 7 | | | 7 | | 7 | | |
| | | | 1.5/13.5 | <1 | 15 | 11 | | | 11 | | 11 | | |
| V _{IL} | Low Level Input Voltage | | 4.5/0.5 | <1 | 5 | | | 1.5 | | 1.5 | | 1.5 | V |
| | | | 9/1 | <1 | 10 | | | 3 | | 3 | | 3 | |
| | | | 13.5/1.5 | <1 | 15 | | | 4 | | 4 | | 4 | |
| I _{OH} | Output Drive Current | 0/5 | 2.5 | <1 | 5 | -1.36 | -3.2 | | -1.1 | | -1.1 | | mA |
| | | 0/5 | 4.6 | <1 | 5 | -0.44 | -1 | | -0.36 | | -0.36 | | |
| | | 0/10 | 9.5 | <1 | 10 | -1.1 | -2.6 | | -0.9 | | -0.9 | | |
| | | 0/15 | 13.5 | <1 | 15 | -3.0 | -6.8 | | -2.4 | | -2.4 | | |
| I _{OL} | Output Sink Current | 0/5 | 0.4 | <1 | 5 | 0.44 | 1 | | 0.36 | | 0.36 | | mA |
| | | 0/10 | 0.5 | <1 | 10 | 1.1 | 2.6 | | 0.9 | | 0.9 | | |
| | | 0/15 | 1.5 | <1 | 15 | 3.0 | 6.8 | | 2.4 | | 2.4 | | |
| I _I | Input Leakage Current | 0/18 | Any Input | | 18 | | $\pm 10^{-5}$ | ± 0.1 | | ± 1 | | ± 1 | μ A |
| C _I | Input Capacitance | | Any Input | | | | 5 | 7.5 | | | | | pF |

The Noise Margin for both "1" and "0" level is: 1V min. with V_{DD}=5V, 2V min. with V_{DD}=10V, 2.5V min. with V_{DD}=15V

DYNAMIC ELECTRICAL CHARACTERISTICS ($T_{amb} = 25^{\circ}\text{C}$, $C_L = 50\text{pF}$, $R_L = 200\text{K}\Omega$, $t_r = t_f = 20\text{ ns}$)

| Symbol | Parameter | Test Condition | | Value (*) | | | Unit |
|------------------------------|--|----------------|--|-----------|------|------|---------------|
| | | V_{DD} (V) | | Min. | Typ. | Max. | |
| INPUT-PULSE OPERATION | | | | | | | |
| t_{PLH} t_{PHL} | Propagation Delay Time (\emptyset to Q1 Out) | 5 | | | 180 | 360 | ns |
| | | 10 | | | 80 | 160 | |
| | | 15 | | | 65 | 130 | |
| t_{PLH} t_{PHL} | Propagation Delay Time (Q_n to Q_{n+1}) | 5 | | | 100 | 200 | ns |
| | | 10 | | | 40 | 80 | |
| | | 15 | | | 30 | 60 | |
| t_{THL} t_{TLH} | Transition Time | 5 | | | 100 | 200 | ns |
| | | 10 | | | 50 | 100 | |
| | | 15 | | | 40 | 80 | |
| t_W | Minimum Input Pulse Width | 5 | | | 70 | 140 | ns |
| | | 10 | | | 30 | 60 | |
| | | 15 | | | 20 | 40 | |
| t_r , t_f | Input Pulse Rise and Fall Time | 5 | | unlimited | | | μs |
| | | 10 | | | | | |
| | | 15 | | | | | |
| f_{max} | Maximum Clock Input Frequency | 5 | | 3.5 | 7 | | MHz |
| | | 10 | | 8 | 16 | | |
| | | 15 | | 12 | 24 | | |
| RESET OPERATION | | | | | | | |
| t_{PHL} | Propagation Delay Time | 5 | | | 140 | 280 | ns |
| | | 10 | | | 60 | 120 | |
| | | 15 | | | 50 | 100 | |
| t_W | Minimum Reset Pulse Width | 5 | | | 100 | 200 | ns |
| | | 10 | | | 40 | 80 | |
| | | 15 | | | 30 | 60 | |
| t_{REM} | Reset Removal Time | 5 | | | 175 | 350 | ns |
| | | 10 | | | 75 | 150 | |
| | | 15 | | | 50 | 100 | |

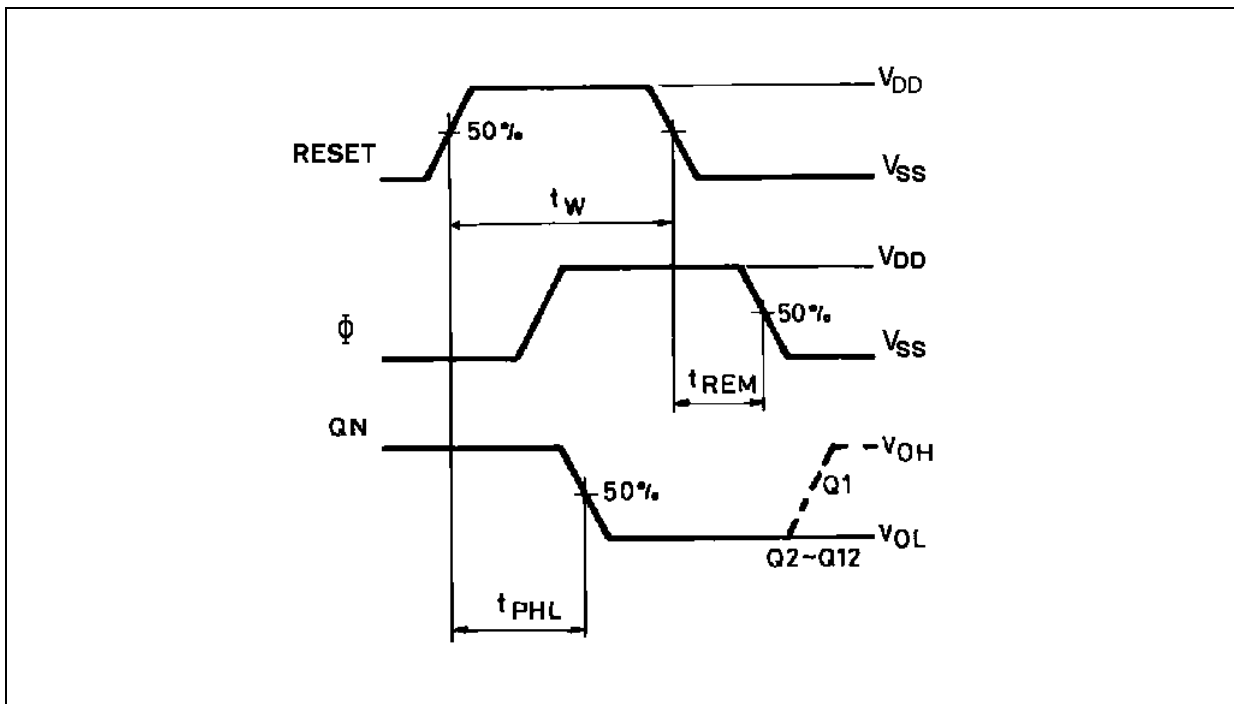
(*) Typical temperature coefficient for all V_{DD} value is 0.3 %/°C.

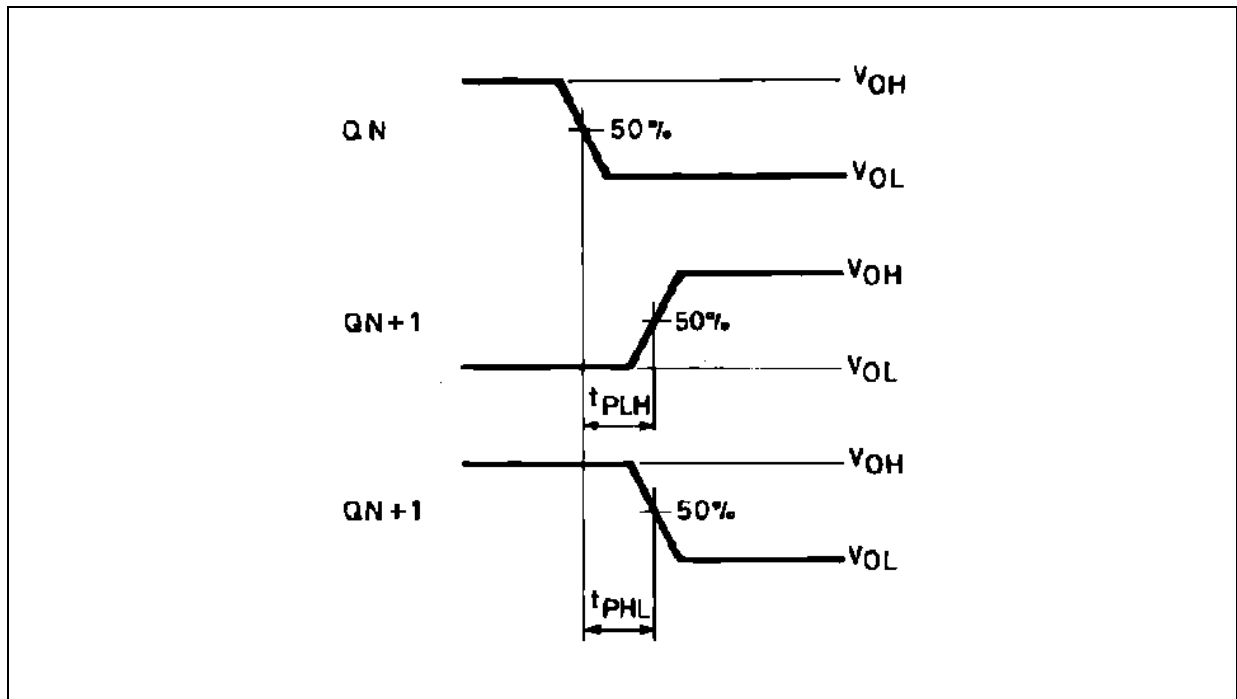
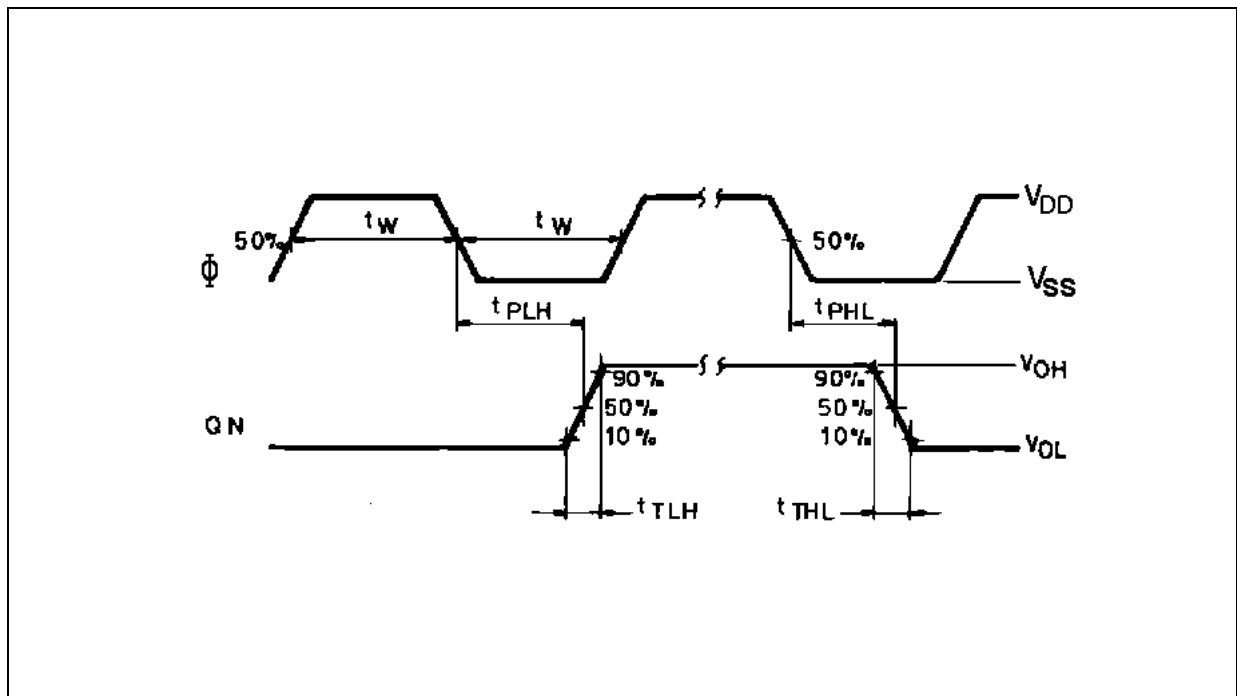
TEST CIRCUIT



$C_L = 50\text{pF}$ or equivalent (includes jig and probe capacitance)
 $R_L = 200\text{K}\Omega$
 $R_T = Z_{\text{OUT}}$ of pulse generator (typically 50Ω)

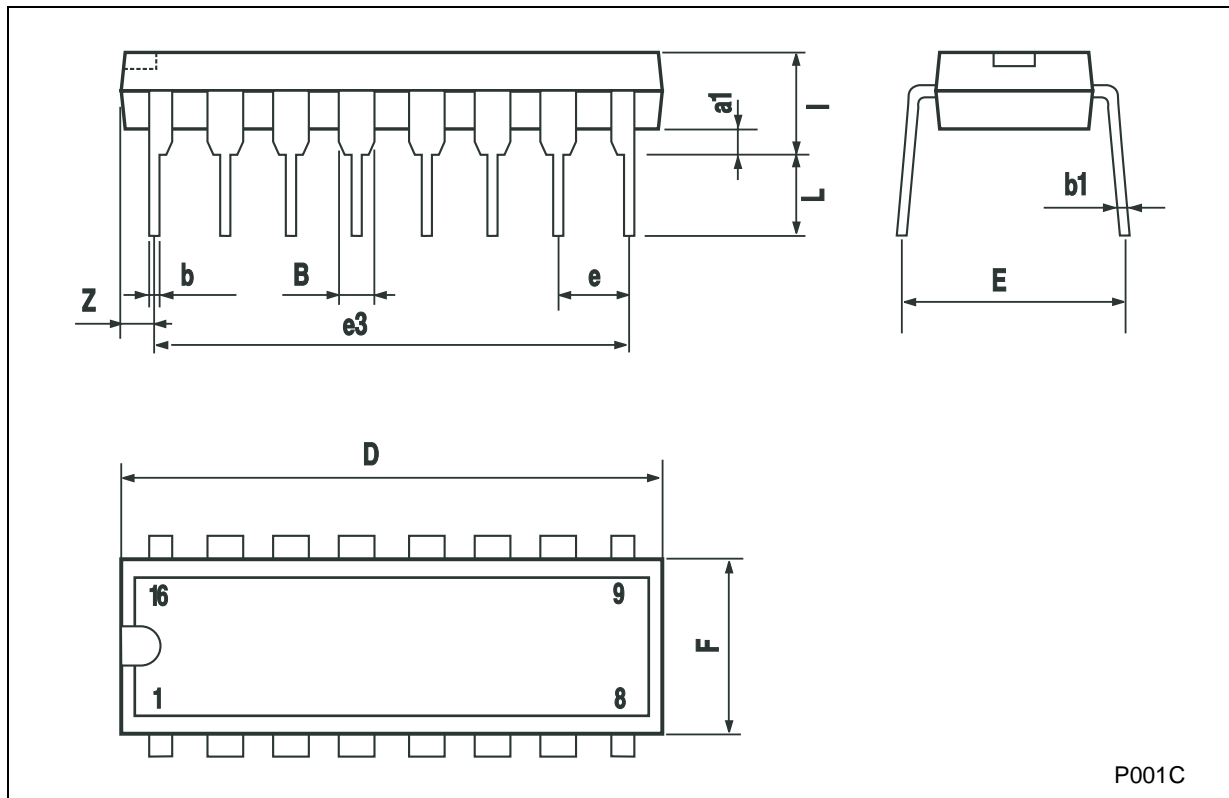
WAVEFORM 1 : MINIMUM PULSE WIDTH (RESET) AND REMOVAL TIME (RESET TO Φ) ($f=1\text{MHz}$; 50% duty cycle)



WAVEFORM 2 : PROPAGATION DELAY TIME (f=1MHz; 50% duty cycle)

WAVEFORM 3 : PROPAGATION DELAY TIME, MINIMUM PULSE WIDTH (Φ) (f=1MHz; 50% duty cycle)


Plastic DIP-16 (0.25) MECHANICAL DATA

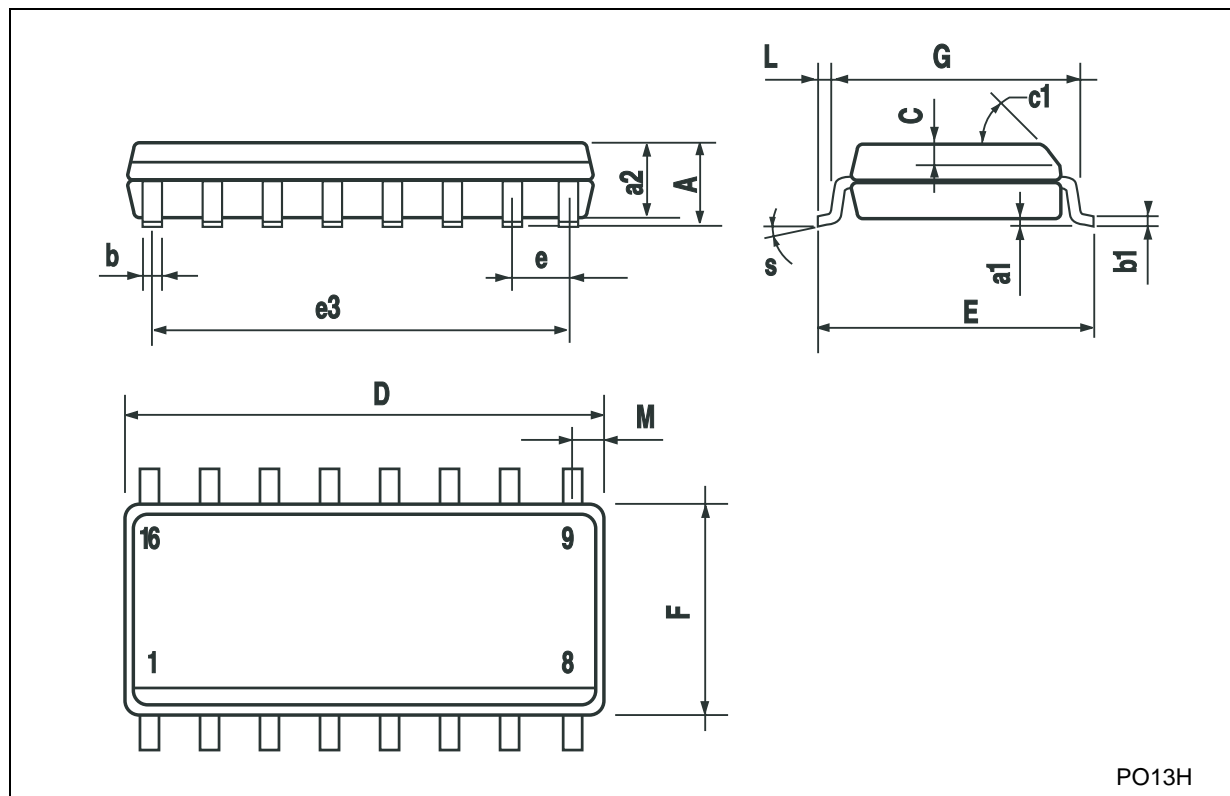
| DIM. | mm. | | | inch | | |
|------|------|-------|------|-------|-------|-------|
| | MIN. | TYP | MAX. | MIN. | TYP. | MAX. |
| a1 | 0.51 | | | 0.020 | | |
| B | 0.77 | | 1.65 | 0.030 | | 0.065 |
| b | | 0.5 | | | 0.020 | |
| b1 | | 0.25 | | | 0.010 | |
| D | | | 20 | | | 0.787 |
| E | | 8.5 | | | 0.335 | |
| e | | 2.54 | | | 0.100 | |
| e3 | | 17.78 | | | 0.700 | |
| F | | | 7.1 | | | 0.280 |
| I | | | 5.1 | | | 0.201 |
| L | | 3.3 | | | 0.130 | |
| Z | | | 1.27 | | | 0.050 |



P001C

SO-16 MECHANICAL DATA

| DIM. | mm. | | | inch | | |
|------|------------|------|------|-------|-------|-------|
| | MIN. | TYP. | MAX. | MIN. | TYP. | MAX. |
| A | | | 1.75 | | | 0.068 |
| a1 | 0.1 | | 0.2 | 0.003 | | 0.007 |
| a2 | | | 1.65 | | | 0.064 |
| b | 0.35 | | 0.46 | 0.013 | | 0.018 |
| b1 | 0.19 | | 0.25 | 0.007 | | 0.010 |
| C | | 0.5 | | | 0.019 | |
| c1 | 45° (typ.) | | | | | |
| D | 9.8 | | 10 | 0.385 | | 0.393 |
| E | 5.8 | | 6.2 | 0.228 | | 0.244 |
| e | | 1.27 | | | 0.050 | |
| e3 | | 8.89 | | | 0.350 | |
| F | 3.8 | | 4.0 | 0.149 | | 0.157 |
| G | 4.6 | | 5.3 | 0.181 | | 0.208 |
| L | 0.5 | | 1.27 | 0.019 | | 0.050 |
| M | | | 0.62 | | | 0.024 |
| S | 8° (max.) | | | | | |



Information furnished is believed to be accurate and reliable. However, STMicroelectronics assumes no responsibility for the consequences of use of such information nor for any infringement of patents or other rights of third parties which may result from its use. No license is granted by implication or otherwise under any patent or patent rights of STMicroelectronics. Specifications mentioned in this publication are subject to change without notice. This publication supersedes and replaces all information previously supplied. STMicroelectronics products are not authorized for use as critical components in life support devices or systems without express written approval of STMicroelectronics.

© The ST logo is a registered trademark of STMicroelectronics

© 2002 STMicroelectronics - Printed in Italy - All Rights Reserved
STMicroelectronics GROUP OF COMPANIES

Australia - Brazil - Canada - China - Finland - France - Germany - Hong Kong - India - Israel - Italy - Japan - Malaysia - Malta - Morocco
Singapore - Spain - Sweden - Switzerland - United Kingdom - United States.

© <http://www.st.com>