

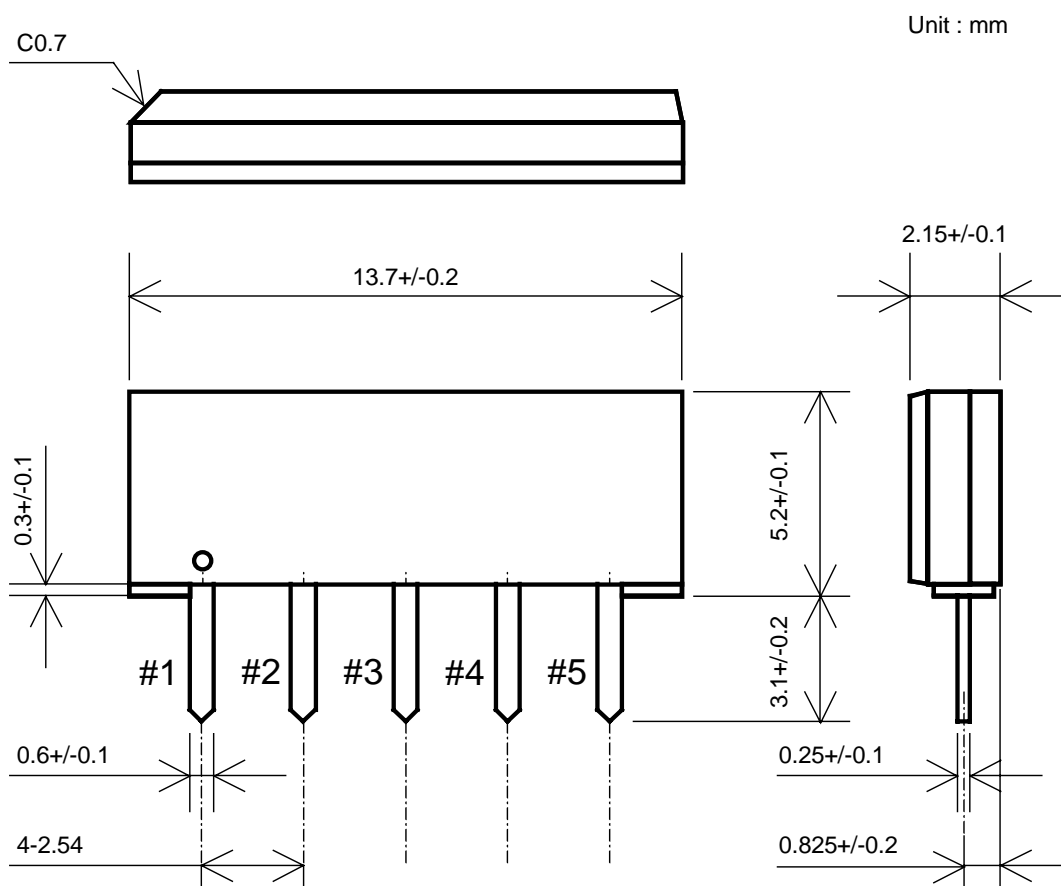
Customer Name	<b>Standard specification</b>	FUJITSU MEDIA DEVICES LIMITED	
Application	Japan Digital Terrestrial TV (13 segment)		
Center Frequency	57.082 MHz	DATE	Jun. 27 2003
FMD Part Number	SBF0606EPL	Version 1.3	

**Table 1 Electrical Specification (Ta=25(45)°C)**

Items	Conditions	Specification			Unit	Remarks
		Min.	Typ.	Max.		
Center frequency		–	57.082	–	MHz	
Insertion Loss	57.082 MHz	18.8	19.8	20.8	dB	
Relative level	52.832(52.750) MHz	–	-45	-37	dB	
	53.582(53.500) MHz	–	-11	-7	dB	
	54.272(54.190) MHz	-1.5	-0.7	–	dB	
	57.082(57.000) MHz	–	0	–	dB	Reference
	59.892(59.810) MHz	-1.5	-0.5	–	dB	
	60.332(60.250) MHz	–	-10	-5	dB	
	61.178(61.096) MHz	–	-35	-25	dB	
	64.832(64.750) MHz	–	-50	-40	dB	
	46.832 ~ 52.832 (46.750 ~ 52.750) MHz	–	-40	-33	dB	
	62.464 ~ 68.084 (62.382 ~ 68.002) MHz	–	-40	-33	dB	
Amplitude ripple	54.272 ~ 59.892 (54.190 ~ 59.810) MHz	–	0.2	0.6	dB	
Group delay ripple (p-p)	54.272 ~ 59.892 (54.190 ~ 59.810) MHz	–	30	–	ns	
Temperature coefficient		–	-72	–	ppm/°C	

Customer Name	<b>Standard specification</b>	FUJITSU MEDIA DEVICES LIMITED	
Application	Japan Digital Terrestrial TV (13 segment)		
Center Frequency	57.082 MHz	DATE	Jun. 27 2003
FMD Part Number	SBF0606EPL	Version 1.3	

● **Dimensions**



**Fig.1**

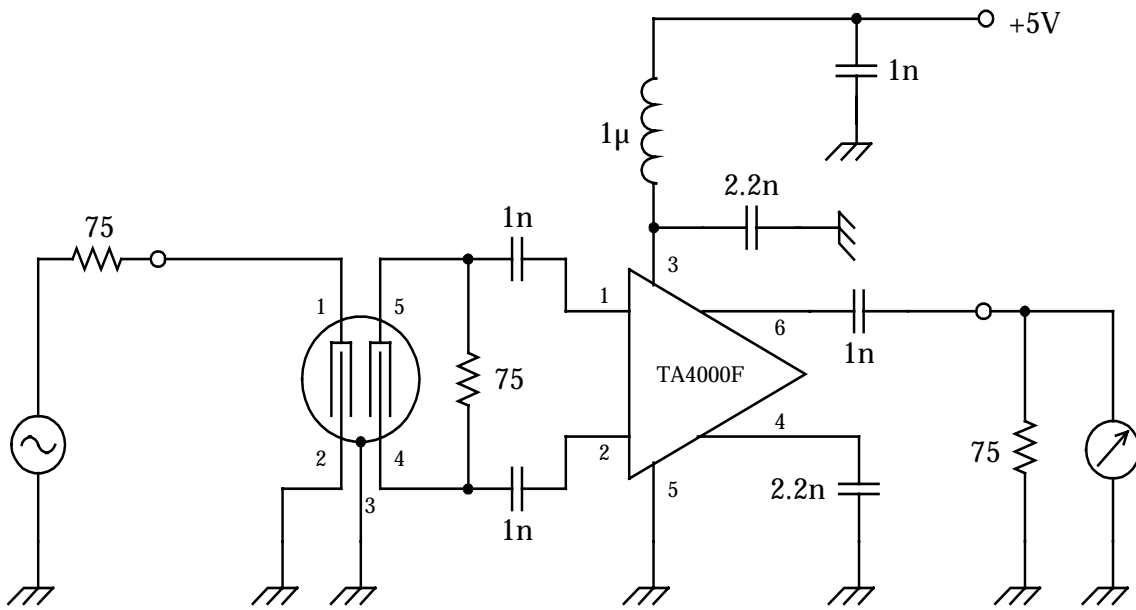
● **Pin Configuration**

**Table 2**

Pin No.	Symbol	Function
#1	IN	Input
#2	IN(GND)	Input(Ground)
#3	GND	Ground
#4	OUT	Output
#5	OUT	Output

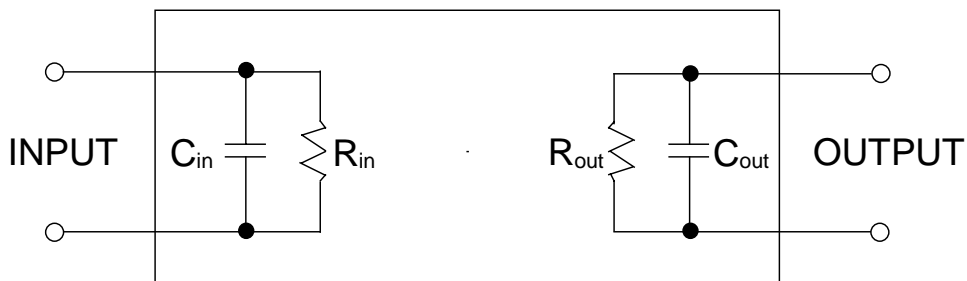
Customer Name	<b>Standard specification</b>	FUJITSU MEDIA DEVICES LIMITED	
Application	Japan Digital Terrestrial TV (13 segment)		
Center Frequency	57.082 MHz	DATE	Jun. 27 2003
FMD Part Number	SBF0606EPL	Version 1.3	

● **Evaluation Circuit**



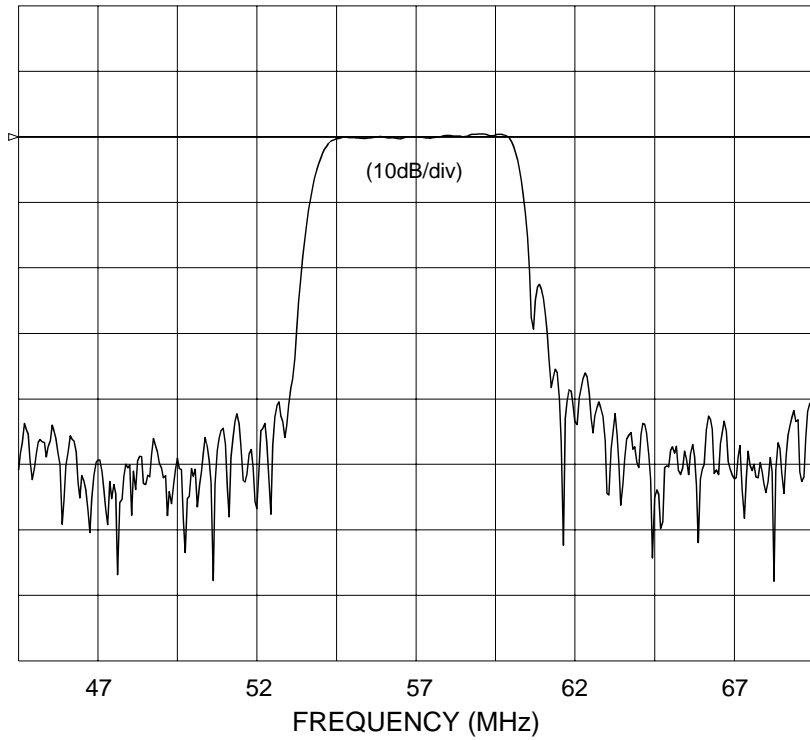
**Fig.2 Evaluation circuit**

● **Equivalent Circuit**

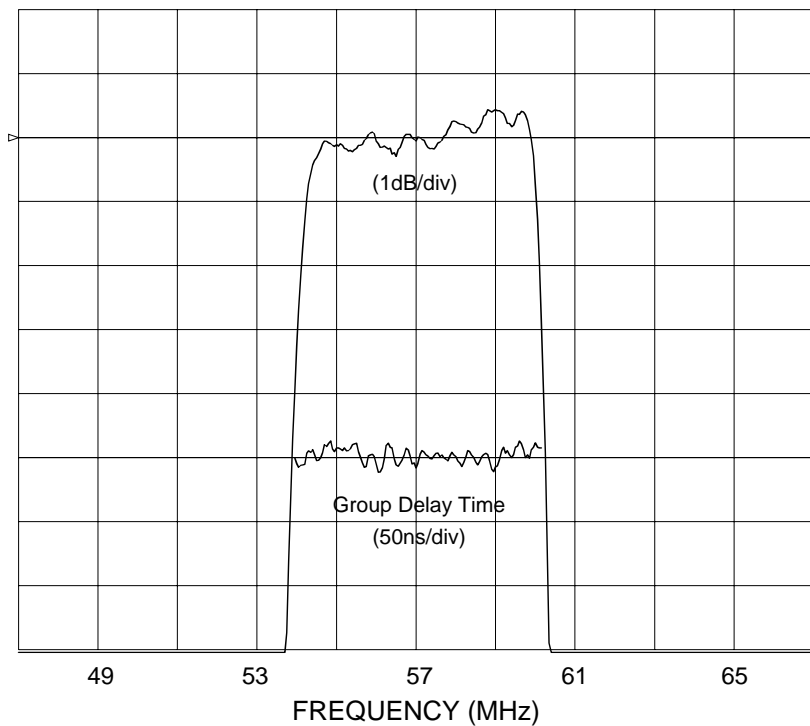


**Fig.3 Equivalent circuit**

Customer Name	<b>Standard specification</b>	FUJITSU MEDIA DEVICES LIMITED	
Application	Japan Digital Terrestrial TV (13 segment)		
Center Frequency	57.082 MHz	DATE	Jun. 27 2003
FMD Part Number	SBF0606EPL	Version 1.3	



**Frequency Characteristics**



**In-band Characteristics**