



AL875 Data Sheets

(Version 1.01)

Amendments (Since June 29, 1999)

- 99.06.29 99.06.29 Updated the document to reflect version A-1 change.
- 99.07.19 99.07.19 Output drive current provided
- 99.08.24 Added section 6.6 Clamping.
- 99.08.31 ADTEST1 & ADTEST2 description modified.
- 01.01.18 Remove “6.6 Clamping”

Contents

1.0 Features	4
2.0 Applications	4
3.0 General Description	5
4.0 Pinout Diagrams	6
5.0 Pin Definition and Description	6
5.0 Pin Definition and Description	7
6.0 Functional Description	14
6.1 ADC inputs and conversion	14
6.2 ADC outputs	15
6.3 Clock Distribution	15
6.4 Automatic Positioning Control	16
6.5 Clock Phase Test (for Jitter-reduction)	18
6.6 I²C Programming	19
7.0 Electrical Characteristics	22
7.1 Recommended Operating Conditions	22
7.2 DC Characteristics	22
7.3 AC Characteristics	22
8.0 AL875 Register Definition	24
8.1 Index of Control Registers	24
8.2 Register Description	25
9.0 Board Design and Layout Considerations	31
9.1 Grounding	31
9.2 Power Planes and Power Supply Decoupling	31
9.3 Digital Signal and Clock Interconnect	31
9.4 Analog Signal Interconnect	31
10.0 Mechanical Drawing	32
11.0 Power Consumption	33

AL875

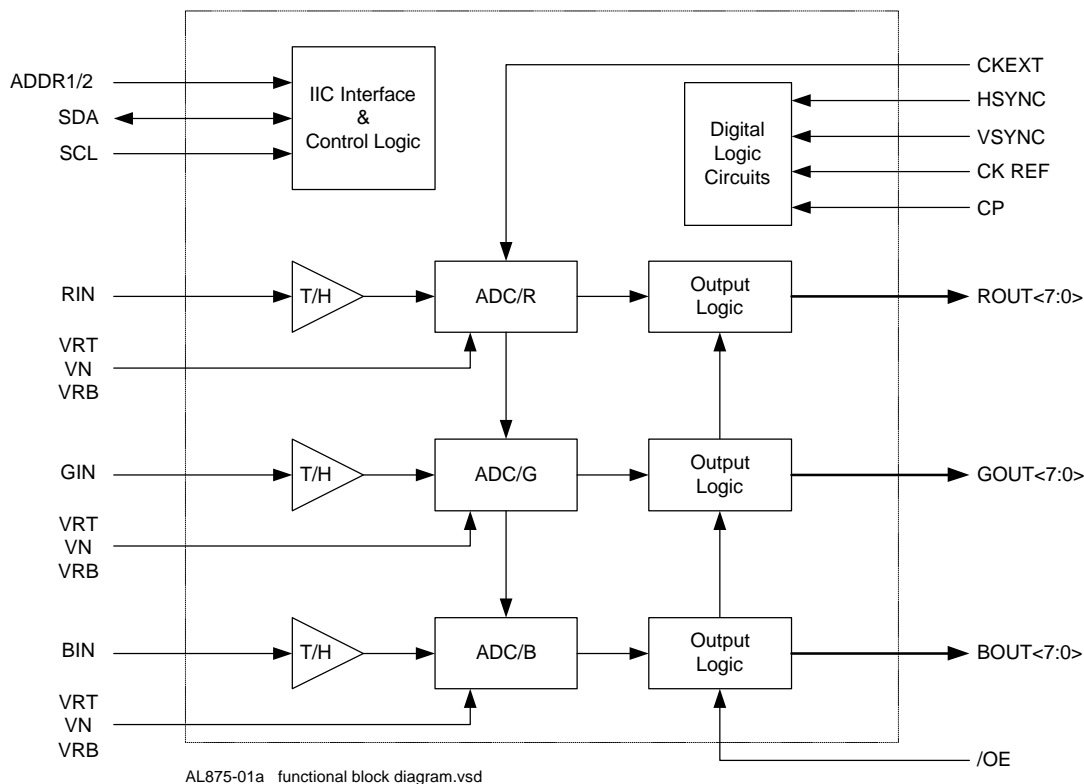
Triple High Speed, 8-bit Analog-to-Digital Converter

1.0 Features

- High speed 8-bit ADC up to 110MHz conversion rate
- Support display resolution up to 1280x1024 at 60Hz refresh rate
- Low power dissipation (0.9W typical at 3.3V, 110MHz)
- 0.6~2.0V p-p analog input range
- 10k~1MHz CKREF locking range
- Full programmability via I²C interface
- Automatic screen position support
- Programmable clock phase adjustment
- TTL compatible digital inputs and outputs
- High impedance tri-state output
- Power-down mode
- Single 3.3 volt power with 5 volt tolerant I/O
- 100-pin 14x20 mm PQFP package

2.0 Applications

- LCD/PDP Monitors
- LCD Projectors
- Other Flat Panel Displays
- High-end Video/Graphics Processing



3.0 General Description

The AL875 is a high-speed triple 8-bit monolithic analog-to-digital converter (ADC) designed for digitizing RGB graphics/video signal or other applications. Its 110 MHz conversion rate can support display resolution of up to 1280x1024 at 60Hz refresh rate.

The AL875 accepts 0.6~2.0V analog input range without using pre-amplifiers which may reduce the overall S/N ratio. Digitized data is piped at the full clock rate to the 24-bit output port. The AL875 uses 3.3V power with 5V tolerant I/O and low power dissipation.

The sampling clock is provided by an external clock source, usually a PLL, which multiplies the frequency of the input reference clock (usually a HSYNC signal) to generate the sampling clock. The AL875 provides a programmable PLL divider up to 4096.

In addition, the input active horizontal and vertical starting and ending positions can be detected to ensure that the whole picture fits into the displayable region of the screen. Through an I²C interface, the AL875 is fully programmable to support various graphic resolutions.

5.0 Pin Definition and Description

Following is the pin definition of the AL875 with the corresponding TDA8752 pin assignment attached.

AL875	Type	PIN#	DESCRIPTION	TDA8752
TESTIN3	IN (CMOS)	1	Test signal input 3, can be left open.	n.c.
TESTIN2	IN (CMOS)	2	Test signal input 2, can be left open.	DEC2
TESTIN1	IN (CMOS)	3	Test signal input 1, can be left open.	Vref
TESTIN0	IN (CMOS)	4	Test signal input 0, can be left open.	DEC1
VDD	POWER	5	Digital power supply	n.c.
VRBR	IN	6	Red channel bottom voltage reference	RAGC
VNR	IN	7	Red channel comparator voltage reference	RBOT
VRTR	IN	8	Red channel top voltage reference	RGAINC
NC	--	9	Not connected	RCLP
NC	--	10	Not connected	RDEC
VDDAR	POWER	11	Red channel analog power supply	VCCAR
RIN	IN	12	Red channel analog input	RIN
GNDAR	GROUND	13	Red channel analog ground	AGNDR
VRBG	IN	14	Green channel bottom voltage reference	GAGC
VNG	IN	15	Green channel comparator voltage reference	GBOT
VRTG	IN	16	Green channel top voltage reference	GGAINC
NC	--	17	Not connected	GCLP
NC	--	18	Not connected	GDEC
VDDAG	POWER	19	Green channel analog power supply	VCCAG
GIN	IN	20	Green channel analog input	GIN
GNDAG	GROUND	21	Green channel analog ground	AGNDG
VRBB	IN	22	Blue channel bottom voltage reference	BAGC
VNB	IN	23	Blue channel comparator voltage reference	BBOT
VRTB	IN	24	Blue channel top voltage reference	BGAINC
NC	--	25	Not connected	BCLP
NC	--	26	Not connected	BDEC
VDDAB	POWER	27	Blue channel analog power supply	VCCAB
BIN	IN	28	Blue channel analog input	BIN
GNDAB	GROUND	29	Blue channel analog ground	AGNDB

ADTEST3	IN (CMOSu)	30	Internal ADC test pin 3, to be pulled up.	n.c.
CKINTEN	IN (CMOSd)	31	Test pin, pulled down for normal operation. Reserved for AL876 internal clock enable (LO: external clock, HI: internal PLL clock)	n.c.
RCLAMP	OUT (CMOS _t)	32	Red channel clamp control output (NC)	I2C/3W
ADDR1	IN (CMOSd)	33	I2C address control input 1	ADD1
ADDR2	IN (CMOSd)	34	I2C address control input 2	ADD2
ADTEST1	IN (CMOSd)	35	Internal ADC test pin 1, to be pulled down.	TCK
ADTEST2	IN (CMOSd)	36	Internal ADC test pin 2, to be pulled down.	TDO
NC	--	37	Not connected	DIS
NC	--	38	Not connected	SEN
SDA	INOUT (CMOS _{su})	39	I2C serial data input/output	SDA
VDD	POWER	40	Logic digital power supply	VDDD
GND	GROUND	41	Logic digital ground	VSSD
SCL	IN (CMOS _s)	42	I2C serial clock input	SCL
TESTIN4	IN (CMOSd)	43	Test signal input 4, to be pulled up	n.c.
/RESET	IN (CMOSu)	44	Reset pin (active LOW)	n.c.
ROF	OUT (CMOS)	45	Red channel ADC output overflow	ROR
GOF	OUT (CMOS)	46	Green channel ADC output overflow	GOR
BOF	OUT (CMOS)	47	Blue channel ADC output overflow	BOR
GNDB	GROUND	48	Blue channel ADC output ground	OGNDB
BOUT0	OUT (CMOS _t)	49	Blue channel ADC output bit 0	B0
GCLAMP	OUT (CMOS _t)		Green channel clamp control output (NC)	n.c.
BCLAMP	OUT (CMOS _t)	51	Blue channel clamp control output (NC)	n.c.
BOUT1	OUT (CMOS _t)	52	Blue channel ADC output bit 1	B1
BOUT2	OUT (CMOS _t)	53	Blue channel ADC output bit 2	B2
BOUT3	OUT (CMOS _t)	54	Blue channel ADC output bit 3	B3
BOUT4	OUT (CMOS _t)	55	Blue channel ADC output bit 4	B4
BOUT5	OUT (CMOS _t)	56	Blue channel ADC output bit 5	B5
BOUT6	OUT (CMOS _t)	57	Blue channel ADC output bit 6	B6
BOUT7	OUT (CMOS _t)	58	Blue channel ADC output bit 7	B7
VDDB	POWER	59	Blue channel ADC output power supply	VCCOB
GNDG	GROUND	60	Green channel ADC output ground	OGNDG

GOUT0	OUT (CMOS _t)	61	Green channel ADC output bit 0	G0
GOUT1	OUT (CMOS _t)	62	Green channel ADC output bit 1	G1
GOUT2	OUT (CMOS _t)	63	Green channel ADC output bit 2	G2
GOUT3	OUT (CMOS _t)	64	Green channel ADC output bit 3	G3
GOUT4	OUT (CMOS _t)	65	Green channel ADC output bit 4	G4
GOUT5	OUT (CMOS _t)	66	Green channel ADC output bit 5	G5
GOUT6	OUT (CMOS _t)	67	Green channel ADC output bit 6	G6
GOUT7	OUT (CMOS _t)	68	Green channel ADC output bit 7	G7
VDDG	POWER	69	Green channel ADC output power supply	VCCOG
GNDR	GROUND	70	Red channel ADC output ground	OGNDR
ROUT0	OUT (CMOS _t)	71	Red channel ADC output bit 0	R0
ROUT1	OUT (CMOS _t)	72	Red channel ADC output bit 1	R1
ROUT2	OUT (CMOS _t)	73	Red channel ADC output bit 2	R2
ROUT3	OUT (CMOS _t)	74	Red channel ADC output bit 3	R3
ROUT4	OUT (CMOS _t)	75	Red channel ADC output bit 4	R4
ROUT5	OUT (CMOS _t)	76	Red channel ADC output bit 5	R5
ROUT6	OUT (CMOS _t)	77	Red channel ADC output bit 6	R6
ROUT7	OUT (CMOS _t)	78	Red channel ADC output bit 7	R7
VDDR	POWER	79	Red channel ADC output power supply	VCCOR
CKREFO	OUT (CMOS)	80	PLL Reference clock output with phase adjustment from CKREF. Usually used for external PLL reference input.	CKREFO
CKAO	OUT (CMOS)	81	Output clock A (in phase with the internal digital logic clock)	CKAO
GNDPLL	GROUND	82	Digital ground. Reserved for AL876 PLL digital ground.	OGNDPLL
CKBO	OUT (CMOS)	83	Output clock B (with phase adjustment)	CKBO
CKADCO	OUT (CMOS)	84	ADC sampling clock (in phase with the ADC sampling clock)	CKADCO
VDDPLL	POWER	85	Digital power supply. Reserved for AL876 PLL digital power supply. Suggested to be separated from the other VDD pins with a ferrite bead for AL876 compatibility	VCCO(PLL)
GND	GROUND	86	Digital ground	DGND

/OE	IN (CMOS)	87	Output enable (when OE is HIGH, the outputs are in HI-Z)	OE
PWRDN	IN (CMOSd)	88	Power-Down control (Active HIGH)	PWOFF
HSFB	OUT (CMOS)	89	Clock feedback divider output. Used with optional external PLL	CLP
HSYNC	IN (CMOS)	90	Horizontal sync input	HSYNC
INV	IN (CMOSd)	91	The invert control of the ADC sampling clock	INV
CKEXT	IN (CMOS)	92	External clock input	CKEXT
VSYNC	IN (CMOS)	93	Vertical sync input	COAST
CKREF	IN (CMOS)	94	PLL reference clock input	CKREF
VDD	POWER	95	Digital power supply	VCCD
GNDAPLL	GROUND	96	Analog ground. Reserved for AL876 PLL analog ground.	AGNDPLL
CP	IN	97	Internal compensation pin. Reserved for AL876 PLL filter input. Please follow the reference design for external RC filter circuitry.	CP
NC	--	98	Not connected	CZ
VDDAPLL	POWER	99	Analog power supply. Reserved for AL876 PLL analog power supply. Suggested to be separated from the other VDD pins with a ferrite bead for AL876 compatibility	VCCAPLL
GND	GROUND	100	Digital ground	n.c.

Remarks:

- CMOSd: CMOS with internal pull-down
- CMOSs: CMOS with Schmitt trigger input
- CMOSsu: CMOS with Schmitt trigger input and internal pull-up
- CMOSst: CMOS with tri-state output
- CMOSu: CMOS with internal pull-up

Note: Clamping feature is not supported in the chip.

Pin list grouped by functionality

Symbol	Type	PIN#	DESCRIPTION
Analog Input			
RIN	IN	12	Red channel analog input

GIN	IN	20	Green channel analog input
BIN	IN	28	Blue channel analog input
VRTR	IN	8	Red channel top voltage reference
VRTG	IN	16	Green channel top voltage reference
VRTB	IN	24	Blue channel top voltage reference
VNR	IN	7	Red channel comparator voltage reference
VNG	IN	15	Green channel comparator voltage reference
VNB	IN	23	Blue channel comparator voltage reference
VRBR	IN	6	Red channel bottom voltage reference
VRBG	IN	14	Green channel bottom voltage reference
VRBB	IN	22	Blue channel bottom voltage reference
Digital Output			
ROUT[7:0]	OUT (CMOS _t)	78-71	Red channel ADC output
GOUT[7:0]	OUT (CMOS _t)	68-61	Green channel ADC output
BOUT[7:0]	OUT (CMOS _t)	58-52, 49	Blue channel ADC output
ROF	OUT (CMOS)	45	Red channel ADC output overflow
GOF	OUT (CMOS)	46	Green channel ADC output overflow
BOF	OUT (CMOS)	47	Blue channel ADC output overflow
RCLAMP	OUT (CMOS _t)	32	Red channel clamp control output(NC)
GCLAMP	OUT (CMOS _t)	50	Green channel clamp control output(NC)
BCLAMP	OUT (CMOS _t)	51	Blue channel clamp control output(NC)
Clock Pins (and reserved PLL pins for the AL876)			
HSYNC	IN (CMOS)	90	Horizontal sync input
VSYNC	IN (CMOS)	93	Vertical sync input
CKREF	IN (CMOS)	94	PLL reference clock input, which is usually HSYNC
CKEXT	IN (CMOS)	92	External clock input
CP	IN	97	Internal compensation pin. Reserved for AL876 PLL filter input. Please follow the reference design for external RC filter circuitry.
CKREFO	OUT (CMOS)	80	PLL Reference clock output with phase adjustment from CKREF. Usually used for external PLL reference input.
CKAO	OUT (CMOS)	81	Output clock A (in phase with internal digital

			logic clock)
CKBO	OUT (CMOS)	83	Output clock B, with phase adjustment
CKADCO	OUT (CMOS)	84	ACD sampling clock output (in phase with ADC sampling clock)
HSFB	OUT (CMOS)	89	Clock divided by N for external PLL circuits
Reset, I²C and Configuration Pins			
/RESET	IN (CMOS _u)	44	Reset pin (active LOW)
PWRDN	IN (CMOS _d)	88	Power-Down control (Active HIGH)
SCL	IN (CMOS _s)	42	I2C serial clock input
SDA	INOUT (CMOS _{su})	39	I2C serial data input/output
ADDR[2:1]	IN (CMOS _d)	34, 33	I2C address control input
CKINTEN	IN (CMOS _d)	31	Test pin, pulled down for normal operation. Reserved for AL876 internal clock enable (LO: external clock, HI: internal PLL clock)
/OE	IN (CMOS)	87	Output enable (when OE is HIGH, the outputs are in HI-Z)
INV	IN (CMOS _d)	91	The invert control of the ADC sampling clock
Test Pins			
ADTEST3	IN (CMOS _u)	30	Internal ADC test pins 3
ADTEST[2:1]	IN (CMOS _d)	36, 35	Internal ADC test pins 2~1
TESTIN4	IN (CMOS _d)	43	Test signal input 4
TESTIN[3:0]	IN (CMOS)	1, 2, 3, 4	Test signal input 3~0
Power, Ground and No Connect			
VDD	POWER	5, 40, 95	Digital power supply
VDDR	POWER	79	Red channel ADC output power supply
VDDG	POWER	69	Green channel ADC output power supply
Vddb	POWER	59	Blue channel ADC output power supply
VDDPLL	POWER	85	Digital power supply; reserved for AL876 PLL power supply
VDDAR	POWER	11	Red channel analog power supply
VDDAG	POWER	19	Green channel analog power supply
VDDAB	POWER	27	Blue channel analog power supply
VDDAPLL	POWER	99	Analog power supply. Reserved for PLL analog

			power supply
GND	GROUND	41, 86, 100	Digital ground
GNDR	GROUND	70	Red channel ADC output ground
GNDG	GROUND	60	Green channel ADC output ground
GNDB	GROUND	48	Blue channel ADC output ground
GNDPLL	GROUND	82	Digital ground. Reserved for AL876 PLL digital ground
GNDAR	GROUND	13	Red channel analog ground
GNDAG	GROUND	21	Green channel analog ground
GNDAB	GROUND	29	Blue channel analog ground
GNDAPLL	GROUND	96	Analog ground. Reserved for AL876 PLL analog ground
NC	--	9, 10, 17, 18, 25, 26, 37, 38, 98	Not connected

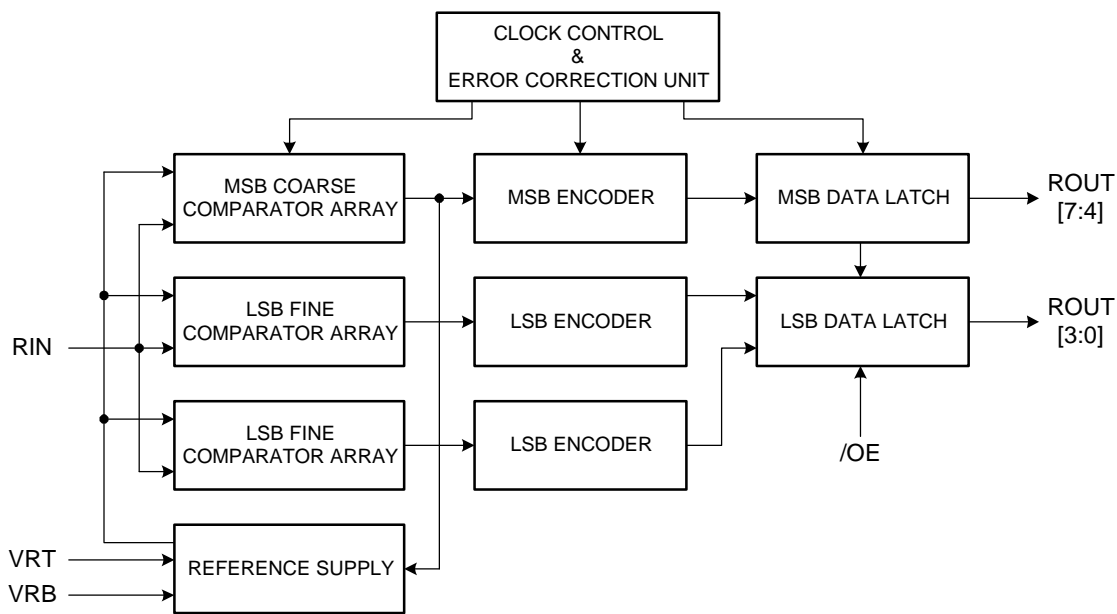
6.0 Functional Description

6.1 ADC inputs and conversion

The AL875 is a triple 8-bit monolithic analog-to-digital converter optimized for digitizing RGB graphics signals from personal computers and workstations. Its 110 MSPS encode rate capability supports display resolutions of up to 1280 × 1024 at 60 Hz refresh rate with sufficient input bandwidth to acquire and digitize each pixel accurately.

Each of the three analog input signals is input to a track-and-hold (T/H) circuit. This T/H captures the value of the input at sampling and maintains it for the duration of the conversion. The sampling and conversion process is initiated by a rising edge on the sampling clock input. Once the signal is captured by the T/H, the four Most Significant Bits (MSBs) are sequentially encoded by the MSB Coarse Comparator Array and MSB Fine Comparator Array. The residue signal is then encoded by the Least Significant Bits (LSB) Coarse Comparator Array and LSB Fine Comparator Array to generate the four bits of LSB data. The comparator outputs are decoded and combined into the 8-bit output.

Following is the clock diagram of the ADC (take R channel as an example):



AL875-02 Block Diagram R channel

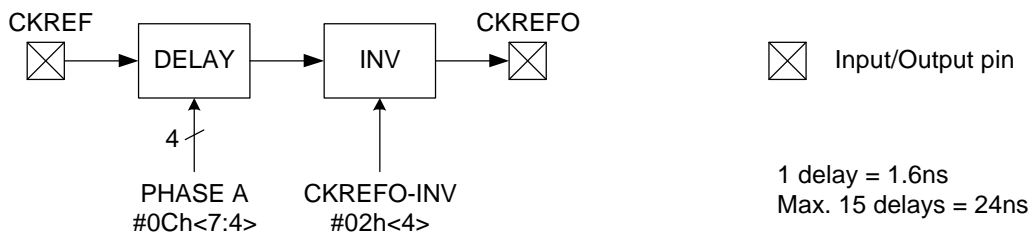
6.2 ADC outputs

The ADC outputs are straight binary. An output enable pin (/OE, active LOW) toggles the output status between active and high-impedance (/OE = HIGH). The timing should be checked carefully if the output capacitive load is more than 10 pF.

6.3 Clock Distribution

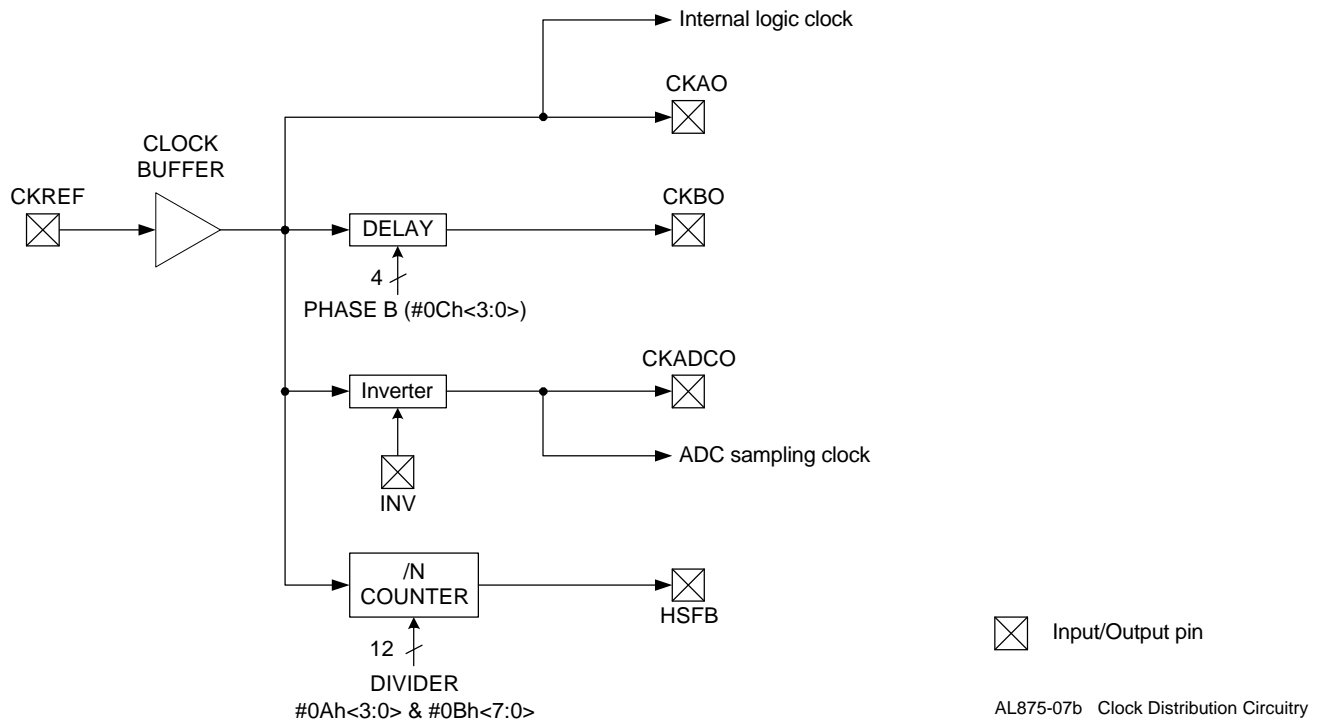
The ADCs' sampling clock is usually from an external PLL clock source. The AL875 provides a PLL reference clock CKREFO (with phase adjustment) for the external PLL to generate the pixel clock to CKEXT pin as the ADC sampling clock. If the PLL requires a feedback signal, it is provided by the AL875 HSFB pin which signal is obtained from CKEXT divided by N. The PLL programming can be either by the external PLL chip (if available) or by the AL875 registers.

In order to adjust the phase of the reference clock for optimal PLL quality, the CKREFO has programmable delay from the CKREF input, which is usually a HSYNC signal. Each programmable increment is equivalent to approximately 1.6ns. The CKREF delay adjustment diagram is as follows:



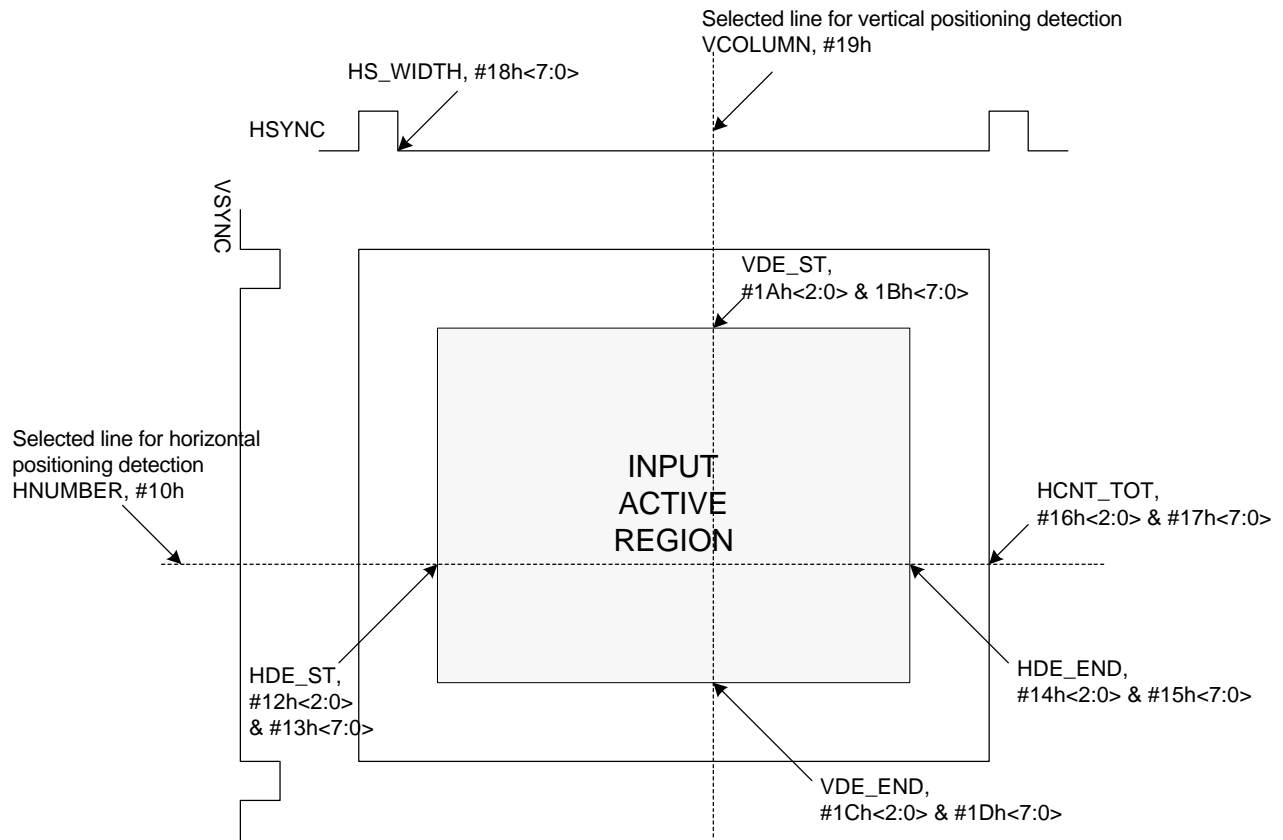
AL875-07a Clock Reference Delay

The PLL-generated pixel clock is input from the CKEXT pin, then distributed to different internal or output pins with different delay for different purposes. The internal logic clock is available at CKAO pin. The delay-adjustable clock is available at CKBO, which programmability is useful for the setup/hold time optimization for the LCD controller or any chip that captures the output of the AL875. The ADC sampling clock is also available at CKADCO pin. The HSFB divider can be up to 4096. The clock distribution circuitry is illustrated in the following diagram:



6.4 Automatic Positioning Control

The input horizontal and vertical starting and ending positions are detected to ensure that the whole picture fits into the displayable region of the screen. Two modes of position detection are provided: 1-line detection and whole-frame detection. The 1-line detection can be performed by choosing any horizontal line (reg.#10h) or vertical line (reg.#19h), to check in what range the luma data is larger than the threshold value defined by **DATA_TH** (reg.#11h). When the threshold for the vertical line is different from the horizontal line, an additional register **VDATA_TH** (reg.#0Fh) can be used for vertical threshold and it is enabled by reg.#06h<7>. Any luma data lower than the threshold value is considered blanking period. The following drawing shows the related registers:



Threshold = DATA_TH, #11h

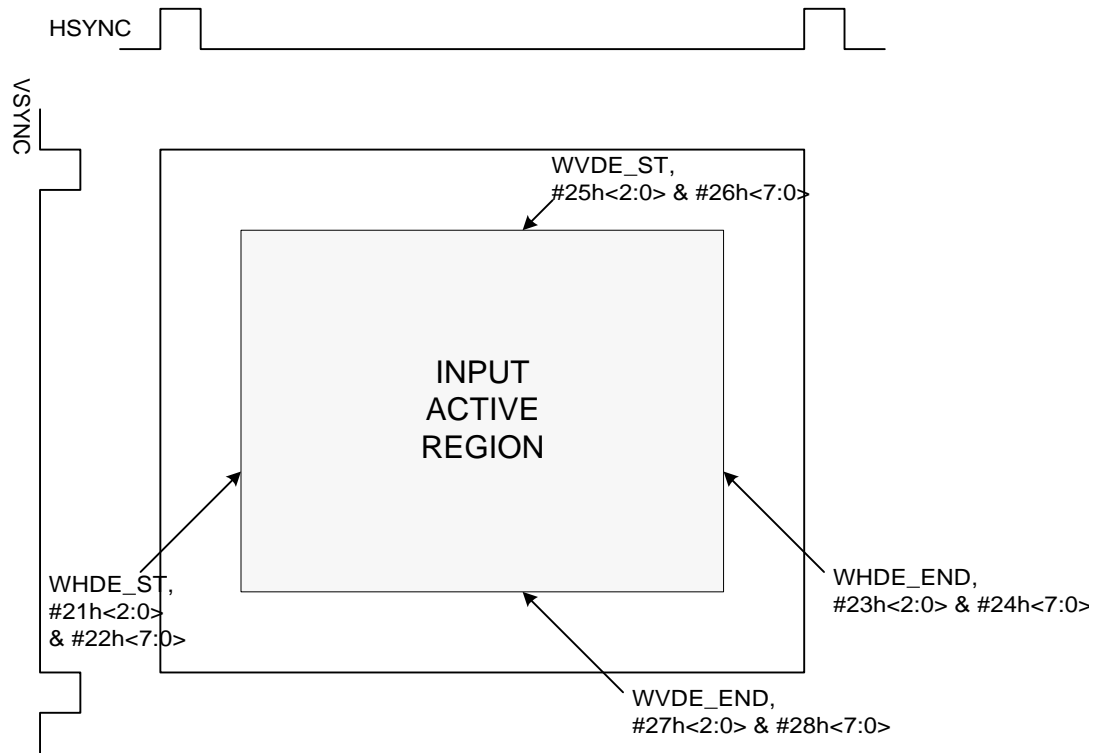
When horizontal and vertical thresholds are different:

Threshold horizontal = DATA_TH, #11h

Threshold vertical = VDATA_TH, #0Fh, Enabled by #06h<7>

AL875-09 One-line position detection

The whole frame detection scans the whole input video/graphics to check in which range the luma data is larger than the threshold value defined by DATA_TH or VDATA_TH. Any luma data lower than the threshold value is considered blanking period. Whole frame detection may be more accurate than 1-line detection. The following drawing shows the related registers:



Threshold = DATA_TH, #11h

When horizontal and vertical thresholds are different:
 Threshold horizontal = DATA_TH, #11h
 Threshold vertical = VDATA_TH, #0Fh, Enabled by #06h<7>

AL875-10 Whole-frame position detection

Details about these registers can be found in the Register Definition section.

6.5 Clock Phase Test (for Jitter-reduction)

The AL875 provides a proprietary clock phase test mode for jitter-reduction. Jitters may be experienced when sampling clock frequency and/or phase is not accurate. The AL875 can sample twice (with slightly different clock phases) on each odd or even pixel and count the total output value difference of the two phases (delay controlled by register #07h). This information (stored in registers #08h and #09h) is then available for the micro-controller to adjust the sampling clock frequency and phase for optimization. Additional reference can be found in the Register Definition section.

6.6 I²C Programming

The AL875 I²C bus controls and monitors the status of the 3 ADCs, PLL and related registers. Two pins (ADD1 and ADD2) are used to set the I²C address. Therefore, up to four AL875s can be used in the same system and can be programmed by the same I²C bus. For detailed description of the AL875 registers, please refer to the Register Definition Section.

The AL875 I²C programming interface follows the Philips standard and consists of the SCL (clock) and SDA (data) signals. Data can be written to or read from the AL875. For both read and write, each byte is transferred MSB first, and the SDA data bit is valid when the SCL is pulled high.

The read/write command format is as follows:

Write: <S> <Write SA> <A> <Register Index> <A> <Data> <A> <P>

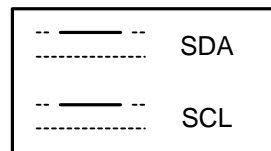
Read: <S> <Write SA> <A> <Register Index> <A> <S> <Read SA> <A> <Data> <NA> <P>

Following are the details:

<S>:

Start signal
SCL SDA
High High
High Low

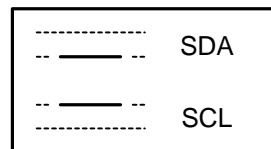
The Start signal is HIGH to LOW transition on the SDA line when SCL is HIGH.



Data bit [1] or NA

<WRITE SA>:

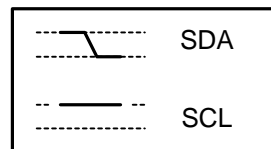
Write Slave Address: 98h, 9Ah, 9Ch, or 9Eh



Data bit [0] or A

<READ SA>:

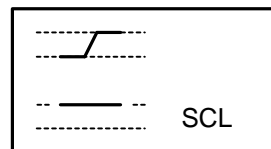
Read Slave Address: 99h, 9Bh, 9Dh, or 9Fh



START bit [S]

<REGISTER INDEX>:

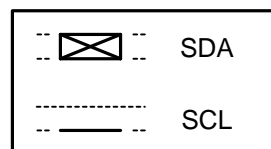
Value of the AL875 register index.



STOP bit [P]

<A>:

Acknowledge stage
The acknowledge-related clock pulse is generated by the host (master). The host releases the SDA line (HIGH) for the AL875 (slave) to pull down the SDA line during the acknowledge clock pulse.



Not significant

<NA>:

Not Acknowledge stage

AL250-15 I2C drawing

The acknowledge-related clock pulse is generated by the host (master). The host releases the SDA line (HIGH) during the acknowledge clock pulse, but the AL875 does not pull it down during this stage.

<DATA>:

Data byte write to or read from the register index.

In read operation, the host must release the SDA line (high) before the first clock pulse is transmitted to the AL875.

<P>:

Stop signal

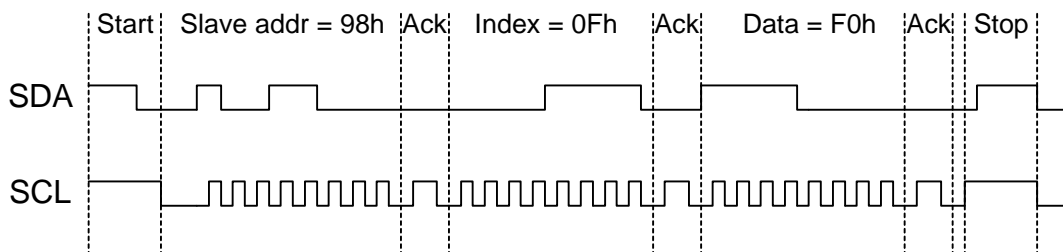
SCL SDA

High Low

High High

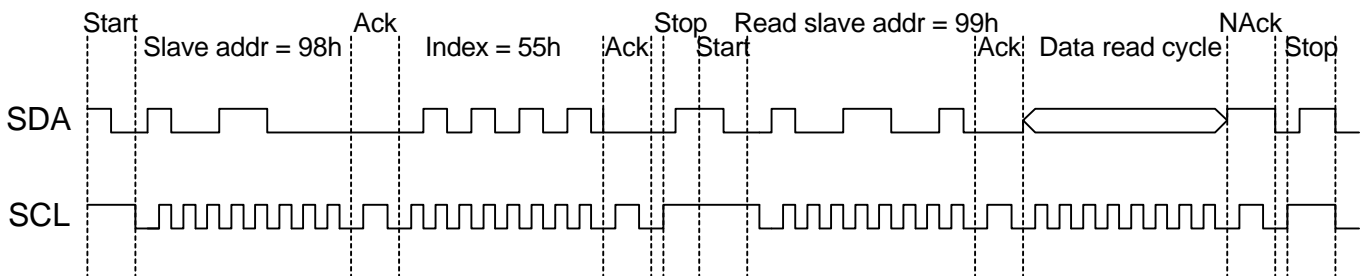
The Stop signal is LOW to HIGH transition on the SDA line when SCL is HIGH.

Suppose data F0h is to be written to register 0Fh using write slave address 98h, the timing is as follows:



AL875-04 I2C Write timing

Suppose data is to be read from register 55h using read slave address 99h, the timing is as follows:



AL875-05 I2C Read timing

More information on the AL875 functionality can be found in the Register Definition section.

7.0 Electrical Characteristics

7.1 Recommended Operating Conditions

Parameter	Min	Max	Unit
VDD Supply Voltage	+3.0	+3.6	V
TAMB Ambient Operating Temperature	0	+70	°C

7.2 DC Characteristics

Parameter		Test Conditions	Min	Typ.	Max	Unit
I _{DD}	Supply current	90MHz		115		mA
P	Power consumption			380		mW
V _{IH}	Hi-level input voltage		VDD+0.5	-	VDD+0.5	V
V _{IL}	Lo-level input voltage		+0.8	-	+0.8	V
V _{OH}	Hi-level output voltage		VDD	-	VDD	V
V _{OL}	Lo-level output voltage		0.5	-	0.5	V
I _o	Output current, stand data	-0.5V < V _O < V _{DD} +0.5	-4		4	mA
	Output current, bus driver	-0.5V < V _O < V _{DD} +0.5	-12		12	mA
I _{LI}	Input leakage current		1	-	1	μA
INL	Integral non-linearity		-	+0.5	+1.3	LSB
DNL	Differential non-linearity		-	0.3	0.5	LSB

7.3 AC Characteristics

Parameter		Test Conditions	Min	Typ.	Max	Unit
C _i	Input pin capacitance		-	-	8	PF
δ _{CK2}	Duty factor (t _{CK2H} /t _{CK2})		40	-	60	%
t _{iS}	Input data set-up time		5	-	-	ns
t _{iH}	Input data hold time		3	-	-	ns
t _r	Input rise time	V _i = 0.6 to 2.6V	-	-	5	ns
t _f	Input fall time	V _i = 2.6 to 0.6V	-	-	5	ns

C_L	Digital output load cap.		15	-	50	PF
t_{oH}	Output hold time	$CL = 15pF$	3	-	-	ns
t_{pD}	Propagation delay	$CL = 40pF$	-	-	5	ns
SNR	Signal-to-noise ratio		-	-	48	dB
F_c	Conversion speed		-	-	110	MHz

8.0 AL875 Register Definition

The AL875 is powered up to a default state depending on the hardware mode-setting pins. Hardware configuration is disabled by setting SoftConfig (bit 4 of register 0x03) as 1, then software configuration is determined by the values of register 0x02, which is programmable by software.

I2C Sub-address:

ADDR2, ADDR1 pins	I ² C write address	I ² C read address
LOW, LOW	98h	99h
LOW, HIGH	9Ah	9Bh
HIGH, LOW	9Ch	9Dh
HIGH, HIGH	9Eh	9Fh

8.1 Index of Control Registers

The following is the summary of AL875 control registers

Register	Addr	R/W	Description	Default	Note
COMPANYID	00h	R only	Company ID	0100 0110	46h
REVISION	01h	R only	Revision number	0000 0000	00h
HWCONFIG	02h	R/W	Hardware configuration		
GENERAL	03h	R/W	General register		
FAMILY	04h	R only	Chip family	1000 0111	87h
STATUS	05h	R	Status register		
Jitter Test Registers					
PHITEST	06h	R/W	Clock phase test	UUU0 0000	00h
DELTA	07h	R/W	Main and delay clock select	0000 0000	
DIFFH	08h	R only	Difference count in a horizontal line (high)		
DIFFL	09h	R only	Difference count in a horizontal line (low)		
PLL-Related Registers					
DIVIDERH	0Ah	R/W	PLL divider high-byte	0101 0011	53h
DIVIDERL	0Bh	R/W	PLL divider low-byte	0100 1000	46h
PHASE	0Ch	R/W	PLL phase delay control	0000 0000	
One-line Auto-Positioning Registers					
HNUMBER	10h	R/W	Horizontal line number for HDE_ST,	0000 0110	Unit: 8 lines

			HDE_END detection		6 * 8 = 48
DATA_TH	11h	R/W	Data threshold for	0001 0000	20h
HDE_STH	12h	R only	Horizontal active data start (high-byte)		
HDE_STL	13h	R only	Horizontal active data start (low-byte)		
HDE_ENDH	14h	R only	Horizontal active data end (high-byte)		
HDE_ENDL	15h	R only	Horizontal active data end (low-byte)		
HCNT_TOH	16h	R only	Detected horizontal total value (high-byte)		
HCNT_TOTL	17h	R only	Detected horizontal total value (low-byte)		
HS_WIDTH	18h	R only	Detected horizontal sync width		
VCOLUMN	19h	R/W	Vertical column number for VDE_ST, VDE_END detection	0011 0111	Unit: 8 lines 37h * 8=440
VDE_STH	1Ah	R only	Vertical active data start (high-byte)		
VDE_STL	1Bh	R only	Vertical active data start (low-byte)		
VDE_ENDH	1Ch	R only	Vertical active data end (high-byte)		
VDE_ENDL	1Dh	R only	Vertical active data end (low-byte)		
Whole-frame Auto Positioning Registers					
WHDE_STH	21h	R only	Detected horizontal active start pixel position (high-byte)		
WHDE_STL	22h	R only	Detected horizontal active start pixel position (low-byte)		
WHDE_ENDH	23h	R only	Detected horizontal active end pixel position (high-byte)		
WHDE_ENDL	23h	R only	Detected horizontal active end pixel position (low-byte)		
WVDE_STH	25h	R only	Detected vertical active start line (high byte)		
WVDE_STL	26h	R only	Detected vertical active start line (low-byte)		
WVDE_ENDH	27h	R only	Detected vertical active end line (high-byte)		
WVDE_ENDL	28h	R only	Detected vertical active end line (low-byte)		

Note: U – unused

8.2 Register Description

00h: Company ID (R) [COMPANYID]

CompanyId <7:0> Company ID (46h)

01h: Revision (R) [REVISION]

Revision <7:0> Revision number (00h)

02h: Hardware/Software Configuration (R/W) [HWCONFIG]

Kcrefo_inv <4> Invert the phase of CKREFO (reference clock output)

Inv <1> Invert the phase of CKADCO (ADC sampling clock)

PwrDn <0> Power-Down mode (active high)

Please refer to the Clock Distribution Circuitry diagram in section 6.3 for additional reference.

03h: General (R/W) [GENERAL]

If SoftCinfig (0x03<4>) = 0, the values of hardware configuration pins are set/read.

If SoftCinfig (0x03<4>) = 1, the values of software configuration registers are set/read.

SoftConfig <4> Enable configuration defined by software configuration registers 0x02.

04h: Chip Family (R) [FAMILY]

Family <7:0> 10000111, AL875 series

05h: Status Register (R) [STATUS]

VsPol_Det <7> Detected input Vsync polarity 1: positive, 0: negative.

HsPol_Det <6> Detected input Hsync polarity 1: positive, 0: negative.

Vsync <4> Input Vsync signal (without any processing)

Hsync <3> Input Hsync signal (without any processing)

Hspeed <2> Chips speed version; 1: high speed; 0: low speed.

Clock Phase Test (Jitter Test)
06h: Clock Phase Test (R/W) [PHITEST]

ENV_TH <7> Enable VDATA_TH

When ENV_TH = 0, DATA_TH (reg.#11h) applies for both horizontal and vertical threshold.

When ENV_TH = 1, DATA_TH (reg.#11h) defines horizontal threshold only; vertical threshold is defined by VDATA_TH (reg.#0Fh).

ADCDIFF_TH <6:5> Bits 5 and 4 of ADCDIFF_TH, threshold of data difference in clock phase test mode for auto phase detection

PhiTest <4> Clock phase test enable

ADCDIFF_TH <3:0> Bits 0~3 of ADCDIFF_TH, threshold of data difference in clock phase test mode for auto phase detection. Any difference lower than the threshold is considered as noise and can be disregarded.

07h: Delayed Clock value select (R/W) [DELTA]

Delta <3:0> Delayed clock phase-delay select

This register defines the delay of the two ADC sampling clocks in jitter detection mode 1. Each delay is equivalent to 1.6ns. The detected value is stored in registers #08h and 09h.

08h: Number of pixels with significant data difference in jitter detection mode (R) [DIFFH]

DIFF (9:8) <1:0>

09h: Number of pixels with significant data difference in jitter detection mode (R) [DIFFL]

DIFF (7:0) <7:0>

In this jitter detection mode, all odd pixels in a designated line are sampled and digitized twice. The total number of data pairs with data value difference higher than the specified threshold value is stored in these two registers. The delay of the two sampling clocks can be programmed by register #07h.

Change of HSYNC and clock phase may result in different DIFF values. The lowest DIFF value usually indicates the optimized HSYNC and clock phase setting.

0Dh: Difference of first and last pixel position (R) [DIFF2H]

DIFF2 (10:8) <2:0> Bits 11~8 of the difference of first and last pixel position

0Eh: Difference of first and last pixel position (R) [DIFF2L]

DIFF2 (7:0) <7:0> Bits 7~0 of the difference of first and last pixel position

In this jitter detection mode, position of the first active pixel of each line is compared with that of the previous line. When there is difference, this value is incremented by 1. Similarly, position of the last active pixel of each line is also compared with that of the previous line; when there is difference, this register values is incremented by 1. The total number is stored in DIFF2Hand DIFF2L.

PLL-Related Registers

0Ah: Divider High-byte (R/W) [DIVIDERH]

DIVIDERH(11:8) <3:0> Bits 8~11 of the PLL divider

0Bh: Divider Low-byte (R/W) [DIVIDERL]

DIVIDERL(7:0) <7:0> Bits 7~0 of the PLL divider

This is the PLL divider number when a non-programmable genlock PLL such as ICS9173 is used.

0Ch: PLL phase delay control (R/W) [PHASE]

PhaseA <7:4> Hsync phase delay adjustment
 PhaseB <3:0> CKBO phase delay adjustment

Refer to the Internal PLL Block Diagram and AL875 Clock Distribution Circuitry in section 6.3 for additional reference.

One-line Automatic positioning:
0Fh: Vertical Data Threshold (R/W) [VDATA_TH]

VData_TH <7:0> Luma (brightness) threshold value.
 This value is used to determine non-blanking pixel for vertical direction. Any pixel luma value less than this value is considered as blanking. . Hardware default value is 32 (20h).
 Vertical column used to detect vertical active start and end is defined by register #19h.
 This register is enabled by register #06h<7>.

10h: Horizontal Line Number for HDE_ST & HDE_END detection (R/W) [HNUMBER]

HNumber <7:0> Horizontal line number for horizontal active start and end detection; refer to register #11h for additional reference. (unit: 8 lines)
 Hardware default value is 06h, which means 6 X 8 = 48 lines

11h: Data Threshold (R/W) [DATA_TH]

Data_TH <7:0> Luma (brightness) threshold value.
 This value is used to determine non-blanking pixel for horizontal direction. Any pixel luma value less than this value is considered as blanking. . Hardware default value is 32 (20h).
 Horizontal line used to detect horizontal active start and end is defined by register #10h.
 This register is enabled by register #06h<7>.

12h: Horizontal Active Start High (R only) [HDE_STH]

HDE_stH <2:0> Bits <10:8> of detected horizontal active start pixel position.

13h: Horizontal Active Start Low (R only) [HDE_STL]

HDE_stL <7:0> Bits <7:0> of detected horizontal active start pixel position. (Unit: 1 pixel)

14h: Horizontal Active End High (R only) [HDE_ENDH]

HDE_EndH <2:0> Bits <10:8> of detected horizontal active end-pixel position.

15h: Horizontal Active End Low (R only) [HDE_ENDL]

HDE_EndL <7:0> Bits <7:0> of detected horizontal active end-pixel position. (Unit: 1 pixel)

16h: Detected H Total Value (R only) [HCNT_TOTH]

HCNT_TOTH <2:0> Bits <10:8> of the detected horizontal total pixel number.

- 17h: Detected H Total Value Low (R only) [HCNT_TOTL]**
HCNT_TOTL <7:0> Bits <7:0> of the detected horizontal total pixel number.
- 18h: Detected Hsync Width (R only) [HS_WIDTH]**
HS_WIDTH <7:0> Indicate the detected horizontal sync pulse width.
- 19h: Vertical Column for VDESTART & VDEEND Detection (R/W) [VCOLUMN]**
VColumn <7:0> Vertical column number for vertical active start and end detection; refer to register #11h for additional reference. Hardware default value: 37h = 55 X 8 = 440. (Unit: 8 pixels)
- 1Ah: Vertical Active Start High (R only) [VDE_STH]**
VDE_StH <2:0> Bits <10:8> of detected vertical active start line.
- 1Bh: Vertical Active Start Low (R only) [VDE_STL]**
VDE_StL <7:0> Bits <7:0> of detected vertical active start line. (Unit: 1 line)
- 1Ch: Vertical Active End High (R only) [VDEENDH]**
VDE_EndH <2:0> Bits <10:8> of detected vertical active end line.
- 1Dh: Vertical Active End Low (R only) [VDE_ENDL]**
VDE_EndL <7:0> Bits <7:0> of detected vertical active end line. (Unit: 1 line)

Whole-frame Automatic positioning:

- 21h: Horizontal Active Start High (R only) [WHDE_STH]**
WHDE_STH <2:0> Bits <10:8> of detected horizontal active start pixel position.
- 22h: Horizontal Active Start Low (R only) [WHDE_STL]**
WHDE_STL <7:0> Bits <7:0> of detected horizontal active start pixel position. (Unit: 1 pixel)
- 23h: Horizontal Active End High (R only) [WHDE_ENDH]**
WHDE_ENDH<2:0> Bits <10:8> of detected horizontal active end pixel position.
- 24h: Horizontal Active End Low (R only) [WHDE_ENDL]**
WHDE_ENDL<7:0> Bits <7:0> of detected horizontal active end pixel position (Unit: 1 pixel)
- 25h: Vertical Active Start High (R only) [WVDE_STH]**
WVDE_STH <2:0> Bits <10:8> of detected vertical active start line
- 26h: Vertical Active Start Low (R only) [WVDE_STL]**
WVDE_STL <7:0> Bits <7:0> of detected vertical active start line (Unit: 1 line)
- 27h: Vertical Active End High (R only) [WVDE_ENDH]**
WVDE_ENDH<2:0> Bits <10:8> of detected vertical active end line

28h: Vertical Active End Low (R only) [WVDE_ENDL]

WVDE_ENDL<7:0> Bits <7:0> of detected vertical active end line (Unit: 1 line)

9.0 Board Design and Layout Considerations

The AL875 contains both precision analog and high-speed digital circuitry. Noise coupling from digital circuits to analog circuits may result in poor video quality. The layout should be optimized for lowest noise on the power and ground planes by shielding the digital circuitry and providing good decoupling.

9.1 Grounding

Analog and digital circuits are separated within the AL875 chip. To minimize system noise and prevent digital system noise from entering the analog portion, a common ground plane for all devices, including the AL875 is recommended. All the connections to the ground plane should have very short leads. The ground plane should be solid, not cross-hatched.

9.2 Power Planes and Power Supply Decoupling

The analog portion of the AL875 and any associated analog circuitry should have their own power plane, referred to as the analog power plane (AVDD). The analog power plane should be connected to the digital power plane (DVDD) at a single point through a low resistance ferrite bead. Additionally, in order to minimize cross interference, the analog power planes of R, G, B and PLL should also be separated with low resistance ferrite beads.

Power supply connection pins should be individually decoupled. For best results, use 0.1 μ F ceramic chip capacitors. Lead lengths should be minimized. The power pins should be connected to the bypass capacitors before being connected to the power planes. 22 μ F capacitors should also be used between the AL875 power planes and the ground planes to control low-frequency power ripple.

9.3 Digital Signal and Clock Interconnect

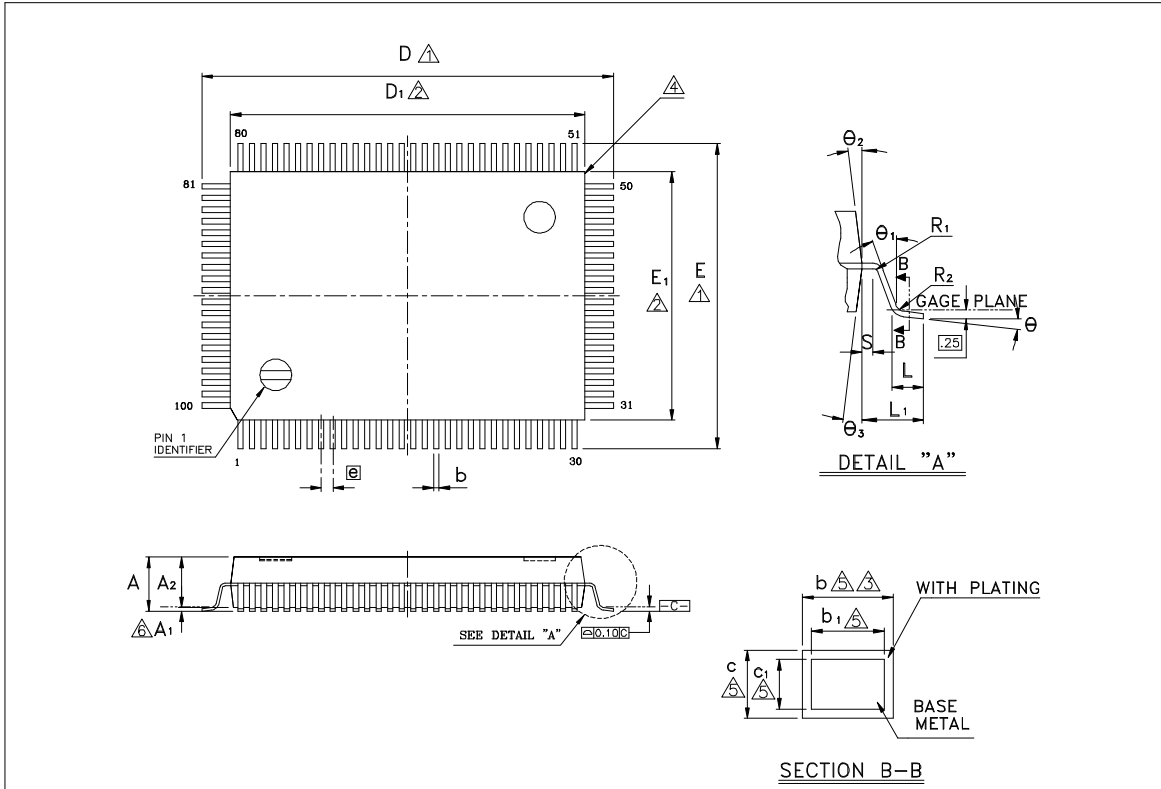
Digital signals to the AL875 should be isolated as much as possible from the analog outputs and other analog circuitry. The high frequency clock reference or crystal should be handled carefully because jitters and noise on the clock will degrade the video performance. Keep the clock paths to the decoder as short as possible to reduce noise pickup.

9.4 Analog Signal Interconnect

The AL875 should be located closely to the output connectors to minimize noise and reflections. Keep the critical analog traces as short and wide as possible (20~30 mil). Digital signals, especially pixel clocks and data signals should not overlap any of the analog signal circuitry and should be kept as far apart as possible. The AL875 and the decoder IC should have no inputs left floating.

10.0 Mechanical Drawing

AL875: 14mm x 20mm 100-pin 0.65-pitch PQFP package



Symbol	Dimension in mm			Dimension in inch		
	Min	Nom	Max	Min	Nom	Max
A	—	—	3.40	—	—	0.134
A1	0.25	—	—	0.010	—	—
A2	2.73	2.85	2.90	0.107	0.112	0.114
b	0.25	0.30	0.38	0.010	0.012	0.015
b1	0.25	0.30	0.33	0.010	0.012	0.013
c	0.13	0.15	0.23	0.005	0.006	0.009
c1	0.13	0.15	0.17	0.005	0.006	0.007
D	23.00	23.20	23.40	0.906	0.913	0.921
D1	19.90	20.00	20.10	0.783	0.787	0.791
E	17.00	17.20	17.40	0.669	0.677	0.685
E1	13.90	14.00	14.10	0.547	0.551	0.555
Ⓢ	0.65 BSC			0.026 BSC		
L	0.73	0.88	1.03	0.029	0.035	0.041
L1	1.60 BSC			0.063 BSC		
R1	0.15 REF			0.006 REF		
R2	0.30 REF			0.012 REF		
S	0.32 REF			0.013 REF		
θ	0°	—	7°	0°	—	7°
θ1	10° REF			10° REF		
θ2	7° REF			7° REF		
θ3	7° REF			7° REF		

NOTE :

- △ TO BE DETERMINED AT SEATING PLANE \square C \square .
- △ DIMENSIONS D1 AND E1 DO NOT INCLUDE MOLD PROTRUSION. D1 AND E1 ARE MAXIMUM PLASTIC BODY SIZE DIMENSIONS INCLUDING MOLD MISMATCH.
- △ DIMENSION b DOES NOT INCLUDE DAMBAR PROTRUSION. DAMBAR CAN NOT BE LOCATED ON THE LOWER RADIUS OF THE FOOT. EXACT SHAPE OF EACH CORNER IS OPTIONAL.
- △ THESE DIMENSIONS APPLY TO THE FLAT SECTION OF THE LEAD BETWEEN 0.10 mm AND 0.25 mm FROM THE LEAD TIP.
- △ A1 IS DEFINED AS THE DISTANCE FROM THE SEATING PLANE TO THE LOWEST POINT OF THE PACKAGE BODY.
- 7. CONTROLLING DIMENSION : MILLIMETER.
- 8. REFERENCE DOCUMENT : JEDEC MS-022.

TITLE: 100LD QFP (14x20mm) PACKAGE OUTLINE			
-Cu L/F, FOOTPRINT 3.2mm			
L/F MATERIAL: C7025 1/2H			
APPR.		DWG NO.	Q100-VI1
R&D		REV NO.	B
Q.M		SCALE	
CHK.		DATE	FEB 16, '99
DEN.		SHT NO.	1/1
AverLogic Technologies, Inc.			

11.0 Power Consumption

The AL875 works at single 3.3V power. The following table shows the current consumption of the AL875 at different operating frequencies.

	Frequency	Current
AL875@3.3V	110MHz	135 mA (typ.)
AL875@3.3V	90MHz	115 mA (typ.)
AL875@3.3V	65MHz	95 mA (typ.)
AL875@3.3V	40MHz	65 mA (typ.)

For more information about the AL875 or other AverLogic products, please contact your local authorized representatives, visit our website, or contact us directly.

CONTACT INFORMATION

AverLogic Technologies, Inc.
6840 Via Del Oro
Suite 160
San Jose, CA 95119
USA

Tel : 1 408 361-0400
Fax : 1 408 361-0404
E-mail : sales@averlogic.com
URL : www.averlogic.com