

The RF Sub-Micron MOSFET Line
RF Power Field Effect Transistors
N-Channel Enhancement-Mode Lateral MOSFETs

MRF281SR1
MRF281ZR1

Designed for digital and analog cellular PCN and PCS base station applications with frequencies from 1000 to 2500 MHz. Characterized for operation Class A and Class AB at 26 volts in commercial and industrial applications.

- Specified Two-Tone Performance @ 1930 and 2000 MHz, 26 Volts
Output Power — 4 Watts PEP
Power Gain — 11 dB
Efficiency — 30%
Intermodulation Distortion — -29 dBc
- Capable of Handling 10:1 VSWR, @ 26 Vdc, 2000 MHz, 4 Watts CW Output Power
- Excellent Thermal Stability
- Characterized with Series Equivalent Large-Signal Impedance Parameters
- S-Parameter Characterization at High Bias Levels
- Available in Tape and Reel. R1 Suffix = 500 Units per 12 mm, 7 inch Reel.

2000 MHz, 4 W, 26 V
LATERAL N-CHANNEL
BROADBAND
RF POWER MOSFETs



CASE 458B-03, STYLE 1
(NI-200S)
(MRF281SR1)



CASE 458C-03, STYLE 1
(NI-200Z)
(MRF281ZR1)

MAXIMUM RATINGS

Rating	Symbol	Value	Unit
Drain-Source Voltage	V_{DSS}	65	Vdc
Gate-Source Voltage	V_{GS}	±20	Vdc
Total Device Dissipation @ $T_C = 25^\circ\text{C}$ Derate above 25°C	P_D	20 0.115	Watts $\text{W}/^\circ\text{C}$
Storage Temperature Range	T_{stg}	-65 to +150	$^\circ\text{C}$
Operating Junction Temperature	T_J	200	$^\circ\text{C}$

THERMAL CHARACTERISTICS

Characteristic	Symbol	Max	Unit
Thermal Resistance, Junction to Case	$R_{\theta JC}$	5.74	$^\circ\text{C}/\text{W}$

ELECTRICAL CHARACTERISTICS ($T_C = 25^\circ\text{C}$ unless otherwise noted)

Characteristic	Symbol	Min	Typ	Max	Unit
----------------	--------	-----	-----	-----	------

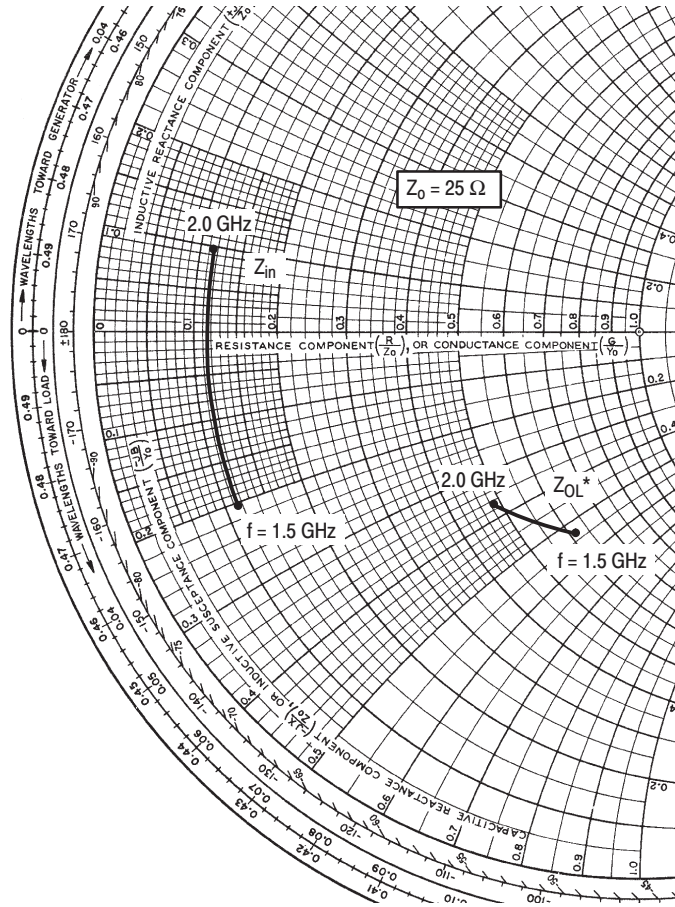
OFF CHARACTERISTICS

Drain-Source Breakdown Voltage ($V_{GS} = 0, I_D = 10 \mu\text{A}$)	$V_{(BR)DSS}$	65	74	—	Vdc
Zero Gate Voltage Drain Current ($V_{DS} = 28 \text{ Vdc}, V_{GS} = 0$)	I_{DSS}	—	—	10	μA
Gate-Source Leakage Current ($V_{GS} = 20 \text{ Vdc}, V_{DS} = 0$)	I_{GSS}	—	—	1	μA

NOTE – CAUTION – MOS devices are susceptible to damage from electrostatic charge. Reasonable precautions in handling and packaging MOS devices should be observed.

ELECTRICAL CHARACTERISTICS continued ($T_C = 25^\circ\text{C}$ unless otherwise noted)

Characteristic	Symbol	Min	Typ	Max	Unit
ON CHARACTERISTICS					
Gate Threshold Voltage ($V_{DS} = 10\text{ Vdc}$, $I_D = 20\ \mu\text{Adc}$)	$V_{GS(th)}$	2.4	3.2	4	Vdc
Gate Quiescent Voltage ($V_{DS} = 26\text{ Vdc}$, $I_D = 25\text{ mAdc}$)	$V_{GS(q)}$	3	4.1	5	Vdc
Drain–Source On–Voltage ($V_{GS} = 10\text{ Vdc}$, $I_D = 0.1\text{ A}$)	$V_{DS(on)}$	0.18	0.24	0.30	Vdc
DYNAMIC CHARACTERISTICS					
Input Capacitance ($V_{DS} = 26\text{ Vdc}$, $V_{GS} = 0$, $f = 1.0\text{ MHz}$)	C_{iss}	—	5.5	—	pF
Output Capacitance ($V_{DS} = 26\text{ Vdc}$, $V_{GS} = 0$, $f = 1.0\text{ MHz}$)	C_{oss}	—	3.3	—	pF
Reverse Transfer Capacitance ($V_{DS} = 26\text{ Vdc}$, $V_{GS} = 0$, $f = 1.0\text{ MHz}$)	C_{rss}	—	0.17	—	pF
FUNCTIONAL TESTS (In Motorola Test Fixture)					
Common–Source Amplifier Power Gain ($V_{DD} = 26\text{ Vdc}$, $P_{out} = 4\text{ W PEP}$, $I_{DQ} = 25\text{ mA}$, $f_1 = 2000.0\text{ MHz}$, $f_2 = 2000.1\text{ MHz}$)	G_{ps}	11	12.5	—	dB
Drain Efficiency ($V_{DD} = 26\text{ Vdc}$, $P_{out} = 4\text{ W PEP}$, $I_{DQ} = 25\text{ mA}$, $f_1 = 2000.0\text{ MHz}$, $f_2 = 2000.1\text{ MHz}$)	η	30	33	—	%
Input Return Loss ($V_{DD} = 26\text{ Vdc}$, $P_{out} = 4\text{ W PEP}$, $I_{DQ} = 25\text{ mA}$, $f_1 = 2000.0\text{ MHz}$, $f_2 = 2000.1\text{ MHz}$)	IRL	—	–16	–10	dB
Intermodulation Distortion ($V_{DD} = 26\text{ Vdc}$, $P_{out} = 4\text{ W PEP}$, $I_{DQ} = 25\text{ mA}$, $f_1 = 2000.0\text{ MHz}$, $f_2 = 2000.1\text{ MHz}$)	IMD	—	–31	–29	dBc
Common–Source Amplifier Power Gain ($V_{DD} = 26\text{ Vdc}$, $P_{out} = 4\text{ W PEP}$, $I_{DQ} = 25\text{ mA}$, $f_1 = 1930.0\text{ MHz}$, $f_2 = 1930.1\text{ MHz}$)	G_{ps}	11	12.5	—	dB
Drain Efficiency ($V_{DD} = 26\text{ Vdc}$, $P_{out} = 4\text{ W}$, $I_{DQ} = 25\text{ mA}$, $f_1 = 1930.0\text{ MHz}$, $f_2 = 1930.1\text{ MHz}$)	η	30	—	—	%
Input Return Loss ($V_{DD} = 26\text{ Vdc}$, $P_{out} = 4\text{ W PEP}$, $I_{DQ} = 25\text{ mA}$, $f_1 = 1930.0\text{ MHz}$, $f_2 = 1930.1\text{ MHz}$)	IRL	—	–16	–10	dB
Intermodulation Distortion ($V_{DD} = 26\text{ Vdc}$, $P_{out} = 4\text{ W PEP}$, $I_{DQ} = 25\text{ mA}$, $f_1 = 1930.0\text{ MHz}$, $f_2 = 1930.1\text{ MHz}$)	IMD	—	–31	—	dBc
Common–Source Amplifier Power Gain ($V_{DD} = 26\text{ Vdc}$, $P_{out} = 4\text{ W CW}$, $I_{DQ} = 25\text{ mA}$, $f_1 = 2000.0\text{ MHz}$)	G_{ps}	10.5	12	—	dB
Drain Efficiency ($V_{DD} = 26\text{ Vdc}$, $P_{out} = 4\text{ W CW}$, $I_{DQ} = 25\text{ mA}$, $f_1 = 2000.0\text{ MHz}$)	η	40	44	—	%
Output Mismatch Stress ($V_{DD} = 26\text{ Vdc}$, $P_{out} = 4\text{ W CW}$, $I_{DQ} = 25\text{ mA}$, $f_1 = 2000.0\text{ MHz}$, $V_{SWR} = 10:1$, All Phase Angles at Frequency of Test)	Ψ	No Degradation In Output Power			



$V_{DD} = 26 \text{ V}$, $I_{DQ} = 25 \text{ mA}$, $P_{out} = 4 \text{ W (PEP)}$

f MHz	Z_{in} Ω	Z_{OL}^* Ω
1500	$3.15 - j5.3$	$15.5 - j13.6$
1600	$3.1 - j3.8$	$14.7 - j12.5$
1700	$3.1 - j2.3$	$14.0 - j11.7$
1800	$3.1 - j0.7$	$13.4 - j11.0$
1900	$3.1 + j0.9$	$12.8 - j10.1$
2000	$3.1 + j2.4$	$12.2 - j9.2$

Z_{in} = Complex conjugate of source impedance.

Z_{OL}^* = Complex conjugate of the optimum load impedance at given output power, voltage, IMD, bias current and frequency.

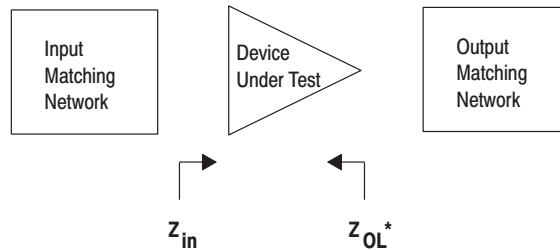


Figure 1. Series Equivalent Input and Output Impedance

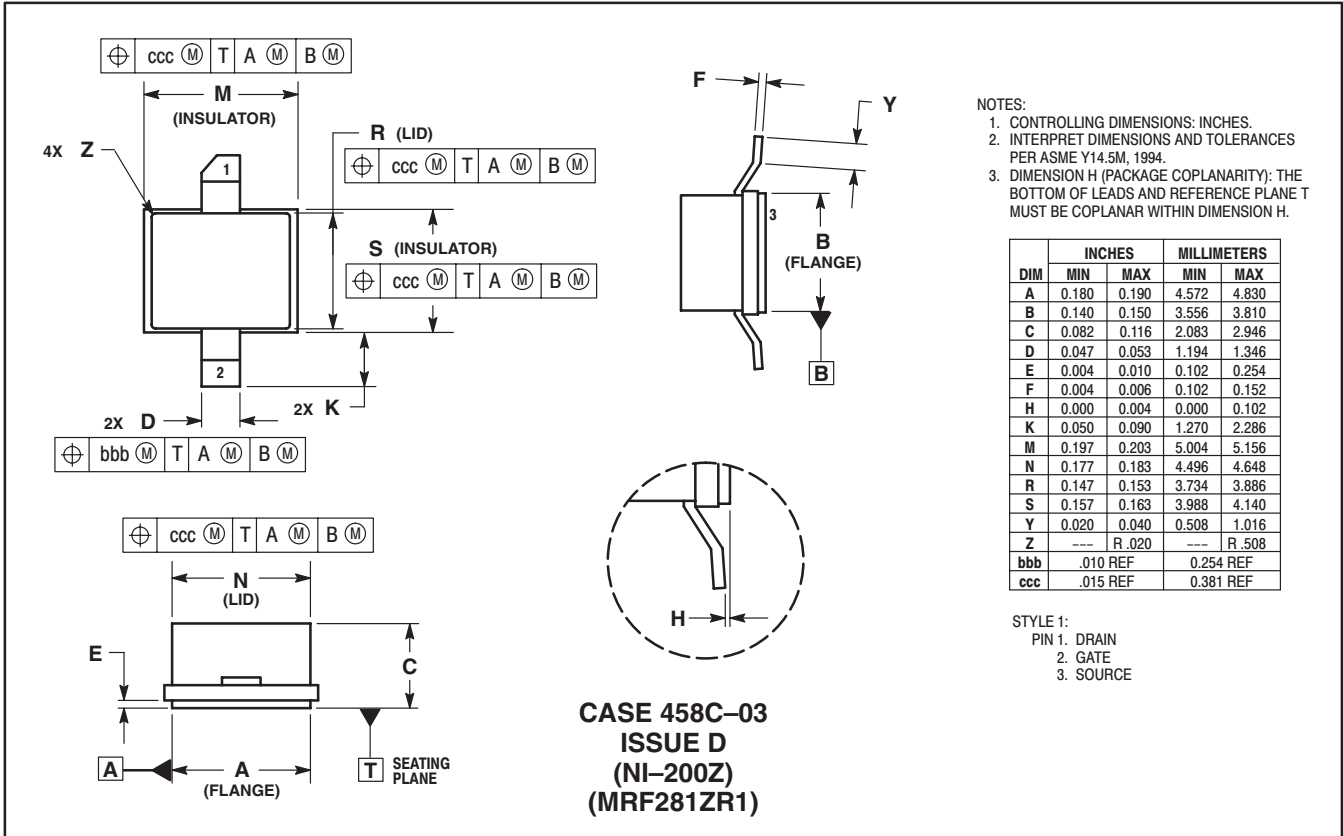
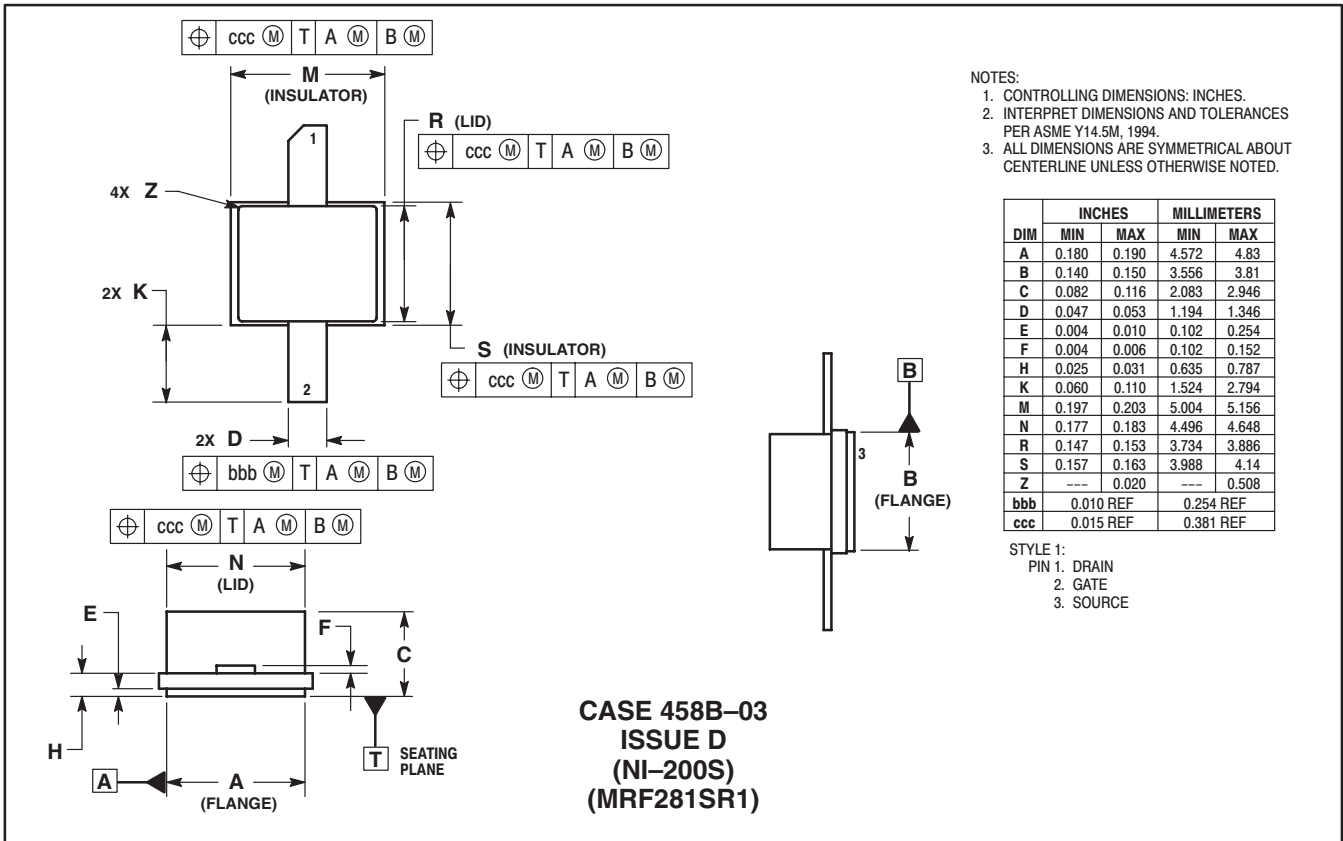
Table 1. Common Source S-Parameters at $V_{DS} = 26$ Vdc, $I_D = 250$ mAdc


f GHz	S ₁₁		S ₂₁		S ₁₂		S ₂₂	
	S ₁₁	∠ φ	dB	∠ φ	S ₁₂	∠ φ	S ₂₂	∠ φ
0.1	.982	-28	18.9	160	.008	73	.851	-13
0.2	.947	-52	17.0	143	.015	58	.811	-25
0.3	.912	-73	15.0	129	.019	45	.770	-33
0.4	.886	-90	12.9	117	.022	36	.741	-42
0.5	.859	-103	11.1	108	.022	28	.719	-47
0.6	.854	-114	9.69	100	.023	23	.718	-51
0.7	.841	-123	8.54	93	.022	18	.709	-56
0.8	.837	-131	7.57	87	.021	15	.714	-59
0.9	.838	-138	6.69	81	.019	12	.719	-62
1.0	.841	-143	6.01	76	.018	11	.728	-64
1.1	.840	-149	5.41	72	.015	12	.742	-66
1.2	.849	-153	4.91	68	.013	13	.745	-68
1.3	.848	-158	4.51	64	.012	18	.758	-69
1.4	.856	-162	4.12	60	.010	26	.769	-70
1.5	.858	-167	3.78	57	.009	36	.786	-70
1.6	.871	-170	3.50	54	.008	54	.797	-72
1.7	.868	-173	3.22	51	.009	69	.808	-71
1.8	.870	-176	3.00	49	.009	82	.823	-72
1.9	.872	-180	2.80	46	.011	95	.828	-72
2.0	.877	178	2.63	44	.013	104	.845	-72
2.1	.876	174	2.47	41	.015	109	.843	-72
2.2	.880	171	2.36	39	.018	111	.859	-71
2.3	.882	168	2.21	36	.021	114	.858	-72
2.4	.886	165	2.12	34	.024	114	.872	-70
2.5	.896	162	1.97	32	.027	115	.863	-70
2.6	.897	158	1.89	29	.029	117	.873	-69

NOTES

NOTES

PACKAGE DIMENSIONS



Motorola reserves the right to make changes without further notice to any products herein. Motorola makes no warranty, representation or guarantee regarding the suitability of its products for any particular purpose, nor does Motorola assume any liability arising out of the application or use of any product or circuit, and specifically disclaims any and all liability, including without limitation consequential or incidental damages. "Typical" parameters which may be provided in Motorola data sheets and/or specifications can and do vary in different applications and actual performance may vary over time. All operating parameters, including "Typicals" must be validated for each customer application by customer's technical experts. Motorola does not convey any license under its patent rights nor the rights of others. Motorola products are not designed, intended, or authorized for use as components in systems intended for surgical implant into the body, or other applications intended to support or sustain life, or for any other application in which the failure of the Motorola product could create a situation where personal injury or death may occur. Should Buyer purchase or use Motorola products for any such unintended or unauthorized application, Buyer shall indemnify and hold Motorola and its officers, employees, subsidiaries, affiliates, and distributors harmless against all claims, costs, damages, and expenses, and reasonable attorney fees arising out of, directly or indirectly, any claim of personal injury or death associated with such unintended or unauthorized use, even if such claim alleges that Motorola was negligent regarding the design or manufacture of the part. Motorola, Inc. Motorola, Inc. is an Equal Opportunity/Affirmative Action Employer. MOTOROLA and the  logo are registered in the US Patent & Trademark Office. All other product or service names are the property of their respective owners.

© Motorola, Inc. 2002.

How to reach us:

USA/EUROPE/Locations Not Listed: Motorola Literature Distribution; P.O. Box 5405, Denver, Colorado 80217. 1-303-675-2140 or 1-800-441-2447

JAPAN: Motorola Japan Ltd.; SPS, Technical Information Center, 3-20-1, Minami-Azabu. Minato-ku, Tokyo 106-8573 Japan. 81-3-3440-3569

ASIA/PACIFIC: Motorola Semiconductors H.K. Ltd.; Silicon Harbour Centre, 2 Dai King Street, Tai Po Industrial Estate, Tai Po, N.T., Hong Kong. 852-26668334

Technical Information Center: 1-800-521-6274

HOME PAGE: <http://www.motorola.com/semiconductors/>

