

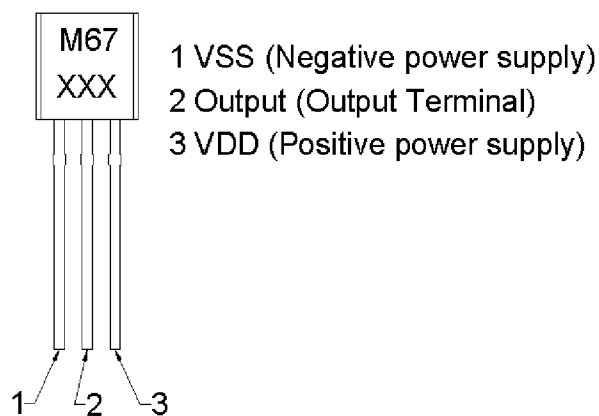
DESCRIPTION

The M67 series are low power CMOS LSI in TO-92 package, designed for the application of melody generation. The built in oscillator and strong driving capability minimise the external components required. A maximum of 128 notes can be programmed and repeat mode. It is suitable for use in melody cards, toys and other similar applications.

PIN ASSIGNMENT (TO-92)

FEATURES

- Wide range of supply voltage (1.2 to 3.6V)
- Maximum of 128 notes
- Built - in RC oscillator
- Low power consumption
- Direct driving capability to piezo-buzzer



ABSOLUTE MAXIMUM RATINGS

Supply Voltage	0 to 3.6V
Operating Temperature	0 to 70°C
Storage Temperature	-55 to +125°C



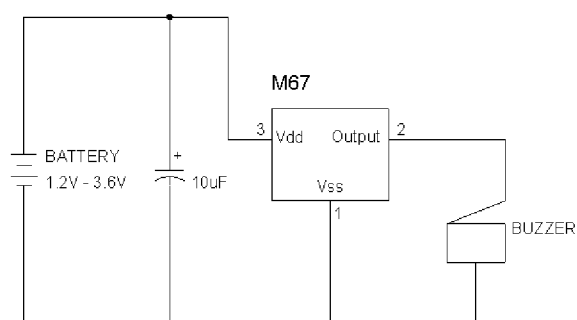
ELECTRICAL CHARACTERISTICS

(Vdd=1.5V Vss=0V Ta=25°C unless otherwise specified)

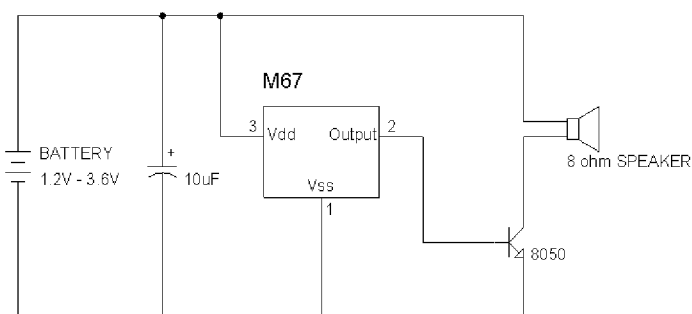
PARAMETER	SYMBOL	MIN	TYP	MAX	UNIT	CONDITIONS
Operating Voltage	Vdd	1.2	1.5	3.6	V	
Operating Current	Idd		14	50	uA	Playing output open
Output Low Current	Iol	2		8	mA	Vol = 0.75V
Output High Current	Ioh	2		6	mA	Voh = 0.75V
Oscillating Frequency	Fosc	63	90	117	KHz	
Oscillating Start Voltage	Vstr	1.3			V	
Oscillating Hole Voltage	Vh		1.2		V	

TYPICAL APPLICATION CIRCUIT

A. LEVEL HOLD MODE FOR PIEZO



B. LEVEL HOLD MODE FOR SPEAKER



MICRO ELECTRONICS LTD.

38, Hung To Road, Microtron Building, Kwun Tong, Kowloon, Hong Kong.

Kwun Tong P.O. Box 69477 Hong Kong. Fax No. 2341 0321 Telex: 43510 Micro Hx. Tel: 2343 0181-5

REV A

page 2 of 2