

High Power 2 × 4 Antenna Switch MMIC

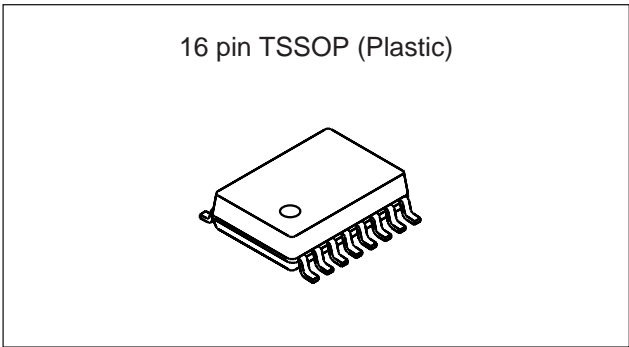
Description

The CXG1063TN is a high power antenna switch MMIC. The CXG1063TN is suited to connect Tx/Rx to one of 4 antennas in cellular handset such as PDC.

This IC is designed using the Sony's GaAs J-FET process which enable the CXG1063TN to be operated with low voltage.

Features

- Low Control voltage
- Low Insertion Loss: 0.4dB (Typ.) @900MHz, 0.5dB (Typ.) @1.5GHz
- Small Package: TSSOP-16pin
- High Power Handling: PldB: 36dBm @V_{DD} = V_{ctl} (H) = 4V



Absolute Maximum Ratings (Ta = 25°C)

- Control voltage V_{ctl} 7 V
- Operating temperature Topr -35 to +85 °C
- Storage temperature Tstg -65 to +150 °C

Operating Condition (Ta = 25°C)

Control voltage V_{ctl} (H) – V_{ctl} (L) = 2.5 to 6V

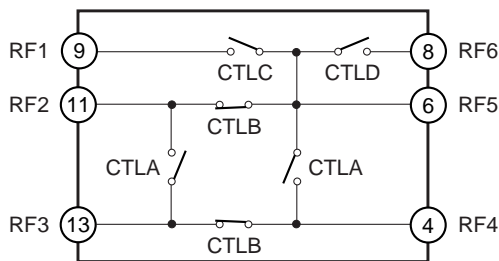
Application

2 × 4 antenna switch for digital cellular telephones such as PDC handsets.

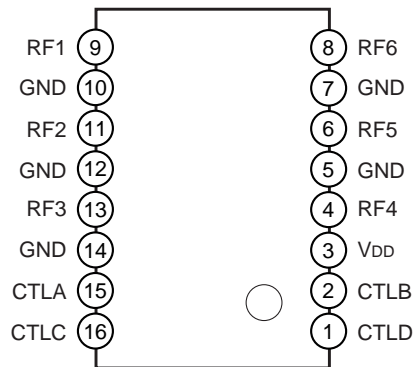
Structure

GaAs J-FET MMIC

Block Diagram



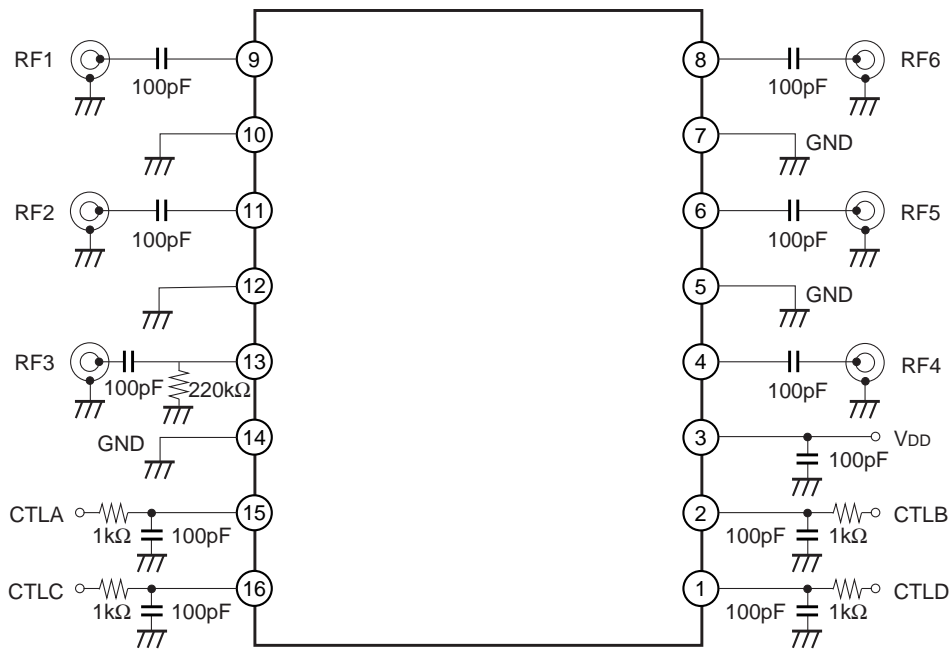
Pin Configuration



- GaAs MMICs are ESD sensitive devices. Special handling precautions are required.

Sony reserves the right to change products and specifications without prior notice. This information does not convey any license by any implication or otherwise under any patents or other right. Application circuits shown, if any, are typical examples illustrating the operation of the devices. Sony cannot assume responsibility for any problems arising out of the use of these circuits.

Recommended Circuit



Electrical Characteristics

(Ta = 25°C)

Item	Frequency	Condition	Min.	Typ.	Max.	Unit	
Insertion loss	RF3-RF2 RF3-RF4	889MHz to 960MHz	Pin = 30dBm *1, *2		0.40	0.65	dB
	RF5-RF2 RF5-RF4	810MHz to 885MHz	Pin = 10dBm *3		0.55	0.80	dB
	RF5-RF1 RF5-RF6		Pin = 10dBm *3		0.50	0.75	dB
Isolation	RF3-RF2 RF3-RF4	889MHz to 960MHz	Pin = 30dBm *1, *2	18	21		dB
	RF5-RF2 RF5-RF4	810MHz to 885MHz	Pin = 10dBm *3	18	21		dB
	RF5-RF1 RF5-RF6		Pin = 10dBm *3	21	25		dB
VSWR		810MHz to 960MHz			1.3		
ACP (± 50 kHz)	RF3-RF2 RF3-RF4	889MHz to 960MHz	Pin = 30dBm *1, *2, *4		-65	-60	dBc
ACP (± 100 kHz)	RF3-RF2 RF3-RF4	889MHz to 960MHz	Pin = 30dBm *1, *2, *4		-70	-65	dBc
2nd, 3rd harmonics	RF3-RF2 RF3-RF4	889MHz to 960MHz	Pin = 30dBm *1, *2, *4		-65	-60	dBc
Control current Ictl (H)			*1		20	60	μ A
			*2		15	50	μ A
			*3		15	50	μ A
Bias current I _{DD}			*1		40	90	μ A
			*2		25	70	μ A
			*3		25	70	μ A
Switching speed				200		ns	

*1 Vctl (L) = 0V, Vctl (H) = 4V, V_{DD} = 4V*2 Vctl (L) = -2.5V, Vctl (H) = 3V, V_{DD} = 3V*3 Vctl (L) = 0V, Vctl (H) = 3V, V_{DD} = 3V*4 Input signal: ACP (± 50 kHz) < -65dBc, ACP (± 100 kHz) < -75dBc,
2nd harmonics < -65dBc, 3rd harmonics < -65dBc

Electrical Characteristics

(Ta = 25°C)

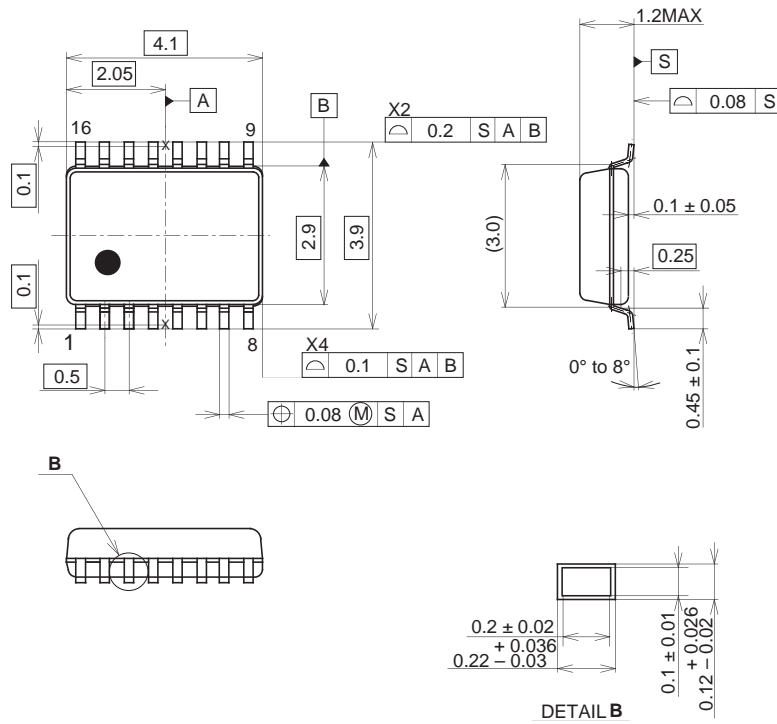
Item		Frequency	Condition	Min.	Typ.	Max.	Unit
Insertion loss	RF3-RF2 RF3-RF4	1429MHz to 1453MHz	Pin = 30dBm *1, *2		0.50	0.75	dB
	RF5-RF2 RF5-RF4	1477MHz to 1501MHz	Pin = 10dBm *3		0.65	0.90	dB
	RF5-RF1 RF5-RF6		Pin = 10dBm *3		0.60	0.8	dB
Isolation	RF3-RF2 RF3-RF4	1429MHz to 1453MHz	Pin = 30dBm *1, *2	15	18		dB
	RF5-RF2 RF5-RF4	1477MHz to 1501MHz	Pin = 10dBm *3	15	18		dB
	RF5-RF1 RF5-RF6		Pin = 10dBm *3	17	21		dB
VSWR		1429MHz to 1501MHz				1.3	
ACP (±50kHz)	RF3-RF2 RF3-RF4	1429MHz to 1453MHz	Pin = 30dBm *1, *2, *4		-65	-60	dBc
ACP (±100kHz)	RF3-RF2 RF3-RF4	1429MHz to 1453MHz	Pin = 30dBm *1, *2, *4		-70	-65	dBc
2nd, 3rd harmonics	RF3-RF2 RF3-RF4	1429MHz to 1453MHz	Pin = 30dBm *1, *2, *4		-65	-60	dBc
Control current Ictl (H)			*1		20	60	μA
			*2		15	50	μA
			*3		15	50	μA
Bias current I _{DD}			*1		40	90	μA
			*2		25	70	μA
			*3		25	70	μA
Switching speed					200		ns

*1 Vctl (L) = 0V, Vctl (H) = 4V, V_{DD} = 4V*2 Vctl (L) = -2.5V, Vctl (H) = 3V, V_{DD} = 3V*3 Vctl (L) = 0V, Vctl (H) = 3V, V_{DD} = 3V*4 Input signal: ACP (±50kHz) < -65dBc, ACP (±100kHz) < -75dBc,
2nd harmonics < -65dBc, 3rd Harmonics < -65dBc

Package Outline

Unit: mm

16PIN TSSOP(PLASTIC)



PACKAGE STRUCTURE

SONY CODE	TSSOP-16P-L01
EIAJ CODE	_____
JEDEC CODE	_____

PACKAGE MATERIAL	EPOXY RESIN
LEAD TREATMENT	SOLDER PLATING
LEAD MATERIAL	COPPER ALLOY
PACKAGE MASS	0.03g