



# CAT34FC02

## 2-kb I<sup>2</sup>C Serial EEPROM, Serial Presence Detect

### FEATURES

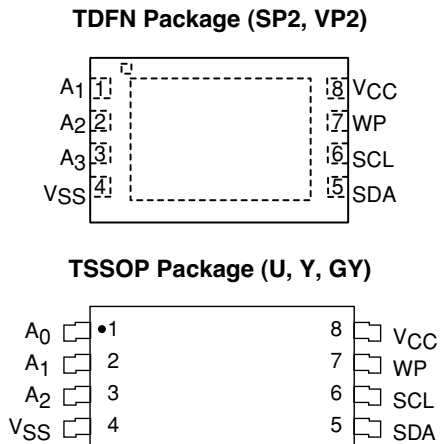
- 400 kHz (2.5 V) and 100 kHz (1.7 V) I<sup>2</sup>C bus compatible
- 1.7 to 5.5 volt operation
- Low power CMOS technology
- 16-byte page write buffer
- Industrial temperature range
- Self-timed write cycle with auto-clear
- Permanent software write protection for lower 128 bytes
- 1,000,000 program/erase cycles
- 100 year data retention
- 8-pin TSSOP and TDFN packages
  - “Green” package option available
- 256 x 8 memory organization
- Hardware write protect

### DESCRIPTION

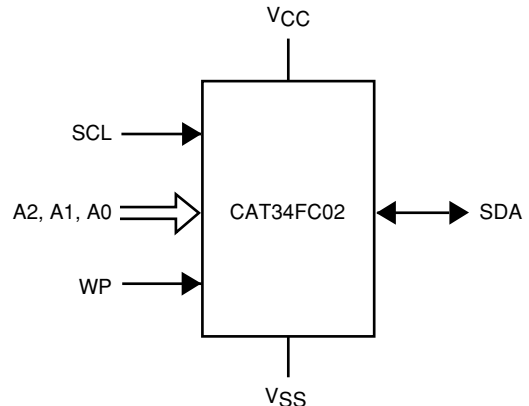
The CAT34FC02 is a 2-kb Serial CMOS EEPROM internally organized as 256 words of 8 bits each. Catalyst’s advanced CMOS technology substantially reduces device power requirements. The CAT34FC02 features

a 16-byte page write buffer. The device operates via the I<sup>2</sup>C bus serial interface and is available in 8-pin TSSOP and TDFN packages.

### PIN CONFIGURATION



### BLOCK DIAGRAM



### PIN FUNCTIONS

Pin Name	Function
A0, A1, A2	Device Address Inputs
SDA	Serial Data/Address
SCL	Serial Clock
WP	Write Protect
V <sub>CC</sub>	1.7 V to 5.5 V Power Supply
V <sub>SS</sub>	Ground

\* Catalyst Semiconductor is licensed by Philips Corporation to carry the I<sup>2</sup>C Bus Protocol.

**ABSOLUTE MAXIMUM RATINGS\***

Temperature Under Bias	-55°C to +125°C
Storage Temperature	-65°C to +150°C
Voltage on Any Pin with Respect to Ground <sup>(1)</sup>	-2.0 V to V <sub>CC</sub> + 2.0 V
V <sub>CC</sub> with Respect to Ground	-2.0 V to +7.0 V
Package Power Dissipation Capability (T <sub>A</sub> = 25°C)	1.0 W

Lead Soldering Temperature (10 seconds) ..... 300°C  
 Output Short Circuit Current<sup>(2)</sup> ..... 100 mA

**\*COMMENT**

Stresses above those listed under "Absolute Maximum Ratings" may cause permanent damage to the device. These are stress ratings only, and functional operation of the device at these or any other conditions outside of those listed in the operational sections of this specification is not implied. Exposure to any absolute maximum rating for extended periods may affect device performance and reliability.

**RELIABILITY CHARACTERISTICS**

Symbol	Parameter	Min.	Max.	Units
N <sub>END</sub> <sup>(3)</sup>	Endurance	1,000,000		Cycles/Byte
T <sub>DR</sub> <sup>(3)</sup>	Data Retention	100		Years
V <sub>ZAP</sub> <sup>(3)(6)</sup>	ESD Susceptibility	4000		Volts
I <sub>LTH</sub> <sup>(3)(4)</sup>	Latch-up	100		mA

**D.C. OPERATING CHARACTERISTICS**

V<sub>CC</sub> = 1.7 V to 5.5 V, unless otherwise specified.

Symbol	Parameter	Test Conditions	Min	Typ	Max	Units
I <sub>CC</sub>	Power Supply Current (Read)	f <sub>SCL</sub> = 100 kHz			1	mA
I <sub>CC</sub>	Power Supply Current (Write)	f <sub>SCL</sub> = 100 kHz			3	mA
I <sub>SB</sub> <sup>(5)</sup>	Standby Current (V <sub>CC</sub> = 5.0 V)	V <sub>IN</sub> = GND or V <sub>CC</sub>			1	μA
I <sub>LI</sub>	Input Leakage Current	V <sub>IN</sub> = GND to V <sub>CC</sub>			1	μA
I <sub>LO</sub>	Output Leakage Current	V <sub>OUT</sub> = GND to V <sub>CC</sub>			1	μA
V <sub>IL</sub>	Input Low Voltage		-1		V <sub>CC</sub> x 0.3	V
V <sub>IH</sub>	Input High Voltage		V <sub>CC</sub> x 0.7		V <sub>CC</sub> + 1.0	V
V <sub>OL1</sub>	Output Low Voltage (V <sub>CC</sub> = 3.0 V)	I <sub>OL</sub> = 3 mA		0.4		V
V <sub>OL2</sub>	Output Low Voltage (V <sub>CC</sub> = 1.7 V)	I <sub>OL</sub> = 1.5 mA		0.5		V

**CAPACITANCE** T<sub>A</sub> = 25°C, f = 400 kHz, V<sub>CC</sub> = 5 V

Symbol	Test	Conditions	Min	Typ	Max	Units
C <sub>I/O</sub> <sup>(3)</sup>	Input/Output Capacitance (SDA)	V <sub>I/O</sub> = 0 V			8	pF
C <sub>IN</sub> <sup>(3)</sup>	Input Capacitance (other pins)	V <sub>IN</sub> = 0 V			6	pF

**Note:**

- The minimum DC input voltage is -0.5 V. During transitions, inputs may undershoot to -2.0 V for periods of less than 20 ns. Maximum DC voltage on output pins is V<sub>CC</sub> + 0.5 V, which may overshoot to V<sub>CC</sub> + 2.0 V for periods of less than 20 ns.
- Output shorted for no more than one second. No more than one output shorted at a time.
- This parameter is tested initially and after a design or process change that affects the parameter according to appropriate AEC-Q100 and JEDEC test methods.
- Latch-up protection is provided for stresses up to 100 mA on address and data pins from -1.0 V to V<sub>CC</sub> + 1.0 V.
- Maximum standby current (I<sub>SB</sub>) = 10μA for the Extended Automotive temperature range.
- Maximum ESD susceptibility for die revision A = 2000 Volts.

### A.C. CHARACTERISTICS

$V_{CC} = 1.7\text{ V to }5.5\text{ V}$ , unless otherwise specified.

#### Read & Write Cycle Limits

Symbol	Parameter	Die Revision A				Die Revision C, E				Units
		1.7V-5.5V		4.5V-5.5V		1.7V-5.5V		2.5V-5.5V		
		Min.	Max.	Min.	Max.	Min.	Max.	Min.	Max.	
$F_{SCL}$	Clock Frequency		100		400		100		400	kHz
$T_I^{(1)}$	Noise Suppression Time Constant at SCL, SDA Inputs		200		200		100		100	ns
$t_{AA}$	SCL Low to SDA Data Out and ACK Out		3.5		1		3.5		0.9	$\mu\text{s}$
$t_{BUF}^{(1)}$	Time the Bus Must be Free Before a New Transmission Can Start	4.7		1.2		4.7		1.3		$\mu\text{s}$
$t_{HD:STA}$	Start Condition Hold Time	4		0.6		4		0.6		$\mu\text{s}$
$t_{LOW}$	Clock Low Period	4.7		1.2		4.7		1.3		$\mu\text{s}$
$t_{HIGH}$	Clock High Period	4		0.6		4		0.6		$\mu\text{s}$
$t_{SU:STA}$	Start Condition Setup Time (for a Repeated Start Condition)	4.7		0.6		4.7		0.6		$\mu\text{s}$
$t_{HD:DAT}$	Data In Hold Time	0		0		0		0		ns
$t_{SU:DAT}$	Data In Setup Time	50		50		250		100		ns
$t_R^{(1)}$	SDA and SCL Rise Time		1		0.3		1		0.3	$\mu\text{s}$
$t_F^{(1)}$	SDA and SCL Fall Time		300		300		300		300	ns
$t_{SU:STO}$	Stop Condition Setup Time	4		0.6		4		0.6		$\mu\text{s}$
$t_{DH}$	Data Out Hold Time	100		100		100		100		ns

#### Power-Up Timing<sup>(1)(2)</sup>

Symbol	Parameter	Min	Typ	Max	Units
$t_{PUR}$	Power-up to Read Operation			1	ms
$t_{PUW}$	Power-up to Write Operation			1	ms

#### Write Cycle Limits

Symbol	Parameter	Min	Typ	Max	Units
$t_{WR}$	Write Cycle Time	Die Revision C, E		5	ms
		Die Revision A		10	

The write cycle time is the time from a valid stop condition of a write sequence to the end of the internal program/erase cycle. During the write cycle, the bus

interface circuits are disabled, SDA is allowed to remain high, and the device does not respond to its slave address.

Note:

(1) This parameter is tested initially and after a design or process change that affects the parameter.

(2)  $t_{PUR}$  and  $t_{PUW}$  are the delays required from the time  $V_{CC}$  is stable until the specified operation can be initiated.

## FUNCTIONAL DESCRIPTION

The CAT34FC02 supports the I<sup>2</sup>C Bus data transmission protocol. This Inter-Integrated Circuit Bus protocol defines any device that sends data to the bus to be a transmitter and any device receiving data to be a receiver. Data transfer is controlled by the Master device which generates the serial clock and all START and STOP conditions for bus access. The CAT34FC02 operates as a Slave device. Both the Master and Slave devices can operate as either transmitter or receiver, but the Master device controls which mode is activated. A maximum of 8 devices may be connected to the bus as determined by the device address inputs A0, A1, and A2.

data transfers into or out of the device. This is an input pin.

### SDA: Serial Data/Address

The CAT34FC02 bidirectional serial data/address pin is used to transfer data into and out of the device. The SDA pin is an open drain output and can be wire-ORed with other open drain or open collector outputs.

### A0, A1, A2: Device Address Inputs

These inputs set device address when cascading multiple devices. A maximum of eight devices can be cascaded when using the device.

### WP: Write Protect

This input, when tied to GND, allows write operations to the entire memory. For CAT34FC02 when this pin is tied to V<sub>CC</sub>, the entire array of memory is write protected. When left floating, memory is unprotected.

## PIN DESCRIPTIONS

### SCL: Serial Clock

The CAT34FC02 serial clock input pin is used to clock all

Figure 1. Bus Timing

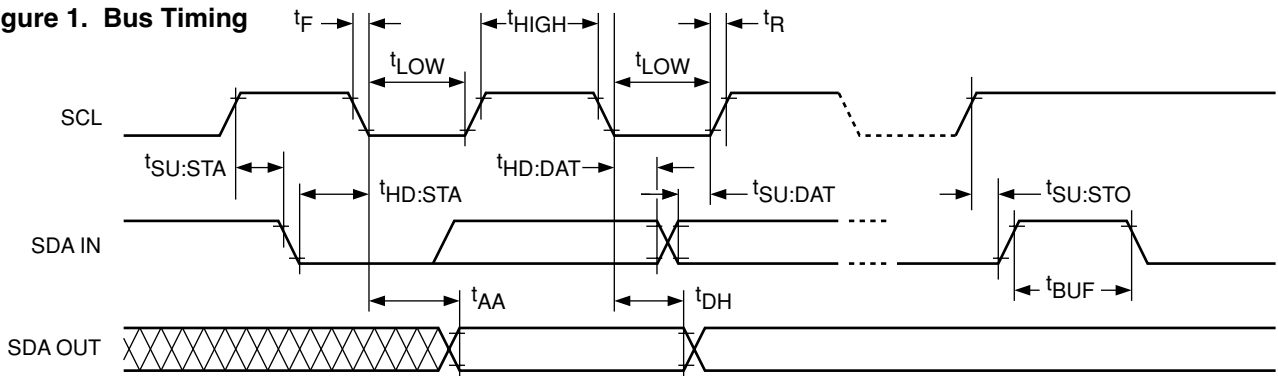


Figure 2. Write Cycle Timing

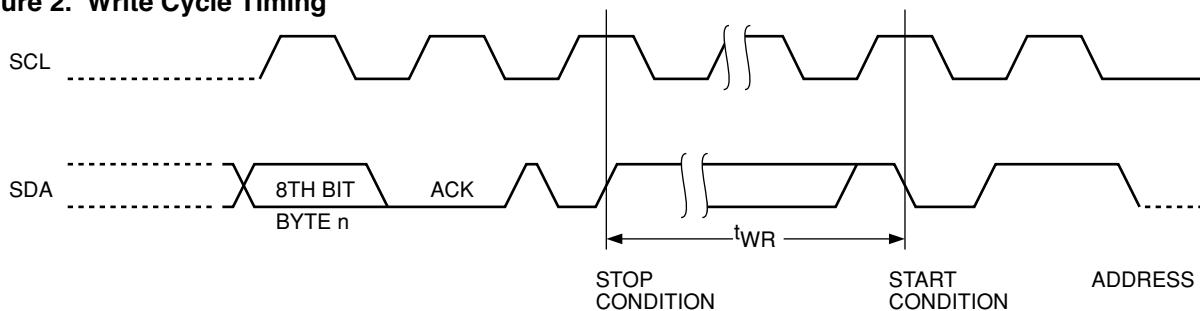
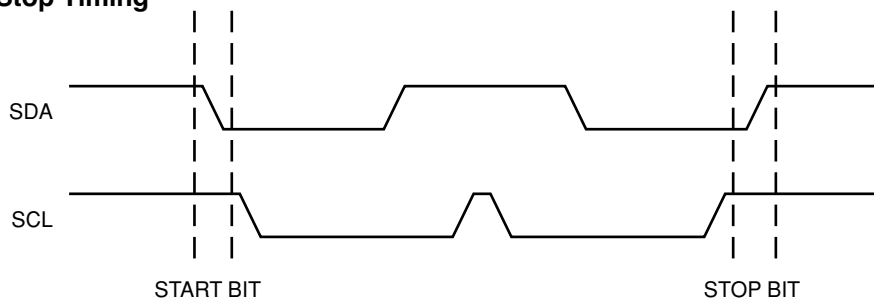


Figure 3. Start/Stop Timing



## I<sup>2</sup>C BUS PROTOCOL

The following defines the features of the I<sup>2</sup>C bus protocol:

- (1) Data transfer may be initiated only when the bus is not busy.
- (2) During a data transfer, the data line must remain stable whenever the clock line is high. Any changes in the data line while the clock line is high will be interpreted as a START or STOP condition.

### START Condition

The START Condition precedes all commands to the device, and is defined as a HIGH to LOW transition of SDA when SCL is HIGH. The CAT34FC02 monitor the SDA and SCL lines and will not respond until this condition is met.

### STOP Condition

A LOW to HIGH transition of SDA when SCL is HIGH determines the STOP condition. All operations must end with a STOP condition.

## DEVICE ADDRESSING

The Master begins a transmission by sending a START condition. The Master then sends the address of the particular slave device it is requesting. The four most significant bits of the 8-bit slave address are fixed (except when accessing the Write Protect Register) as 1010 for the CAT34FC02 (see Fig. 5). The next three significant bits (A2, A1, A0) are the device address bits

and define which device the Master is accessing. Up to eight CAT34FC02 may be individually addressed by the system. The last bit of the slave address specifies whether a Read or Write operation is to be performed. When this bit is set to 1, a Read operation is selected, and when set to 0, a Write operation is selected.

After the Master sends a START condition and the slave address byte, the CAT34FC02 monitors the bus and responds with an acknowledge (on the SDA line) when its address matches the transmitted slave address. The CAT34FC02 then performs a Read or a Write operation depending on the state of the R/W bit.

### Acknowledge

After a successful data transfer, each receiving device is required to generate an acknowledge. The Acknowledging device pulls down the SDA line during the ninth clock cycle, signaling that it received the 8 bits of data.

The CAT34FC02 responds with an acknowledge after receiving a START condition and its slave address. If the device has been selected along with a write operation, it responds with an acknowledge after receiving each byte.

When the CAT34FC02 begins a READ mode, it transmits 8 bits of data, releases the SDA line, and monitors the line for an acknowledge. Once it receives this acknowledge, the CAT34FC02 will continue to transmit data. If no acknowledge is sent by the Master, the device terminates data transmission and waits for a STOP condition.

Figure 4. Acknowledge Timing

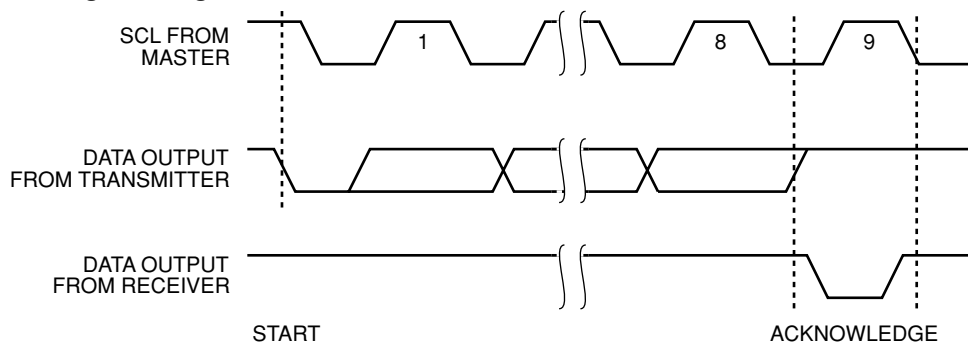
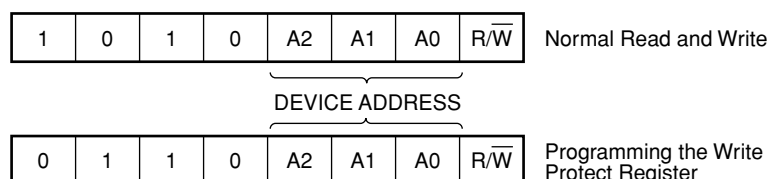


Figure 5. Slave Address Bits



## WRITE OPERATIONS

### Byte Write

In the Byte Write mode, the Master device sends the START condition and the slave address information (with the R/W bit set to zero) to the Slave device. After the Slave generates an acknowledge, the Master sends the byte address that is to be written into the address pointer of the CAT34FC02. After receiving another acknowledge from the Slave, the Master device transmits the data byte to be written into the addressed memory location. The CAT34FC02 acknowledges once more and the Master generates the STOP condition, at which time the device begins its internal programming to nonvolatile memory. While this internal cycle is in progress, the device will not respond to any request from the Master device.

### Page Write

The CAT34FC02 writes up to 16 bytes of data in a single write cycle, using the Page Write operation. The Page Write operation is initiated in the same manner as the Byte Write operation, however instead of terminating after the initial word is transmitted, the Master is allowed to send up to 15 additional bytes. After each byte has been transmitted the CAT34FC02 will respond with an acknowledge, and internally increment the low order address bits by one. The high order bits remain unchanged.

If the Master transmits more than 16 bytes prior to sending the STOP condition, the address counter 'wraps around', and previously transmitted data will be overwritten.

Once all 16 bytes are received and the STOP condition has been sent by the Master, the internal programming cycle begins. At this point all received data is written to the CAT34FC02 in a single write cycle.

### Acknowledge Polling

The disabling of the inputs can be used to take advantage of the typical write cycle time. Once the stop condition is issued to indicate the end of the host's write operation, the CAT34FC02 initiates the internal write cycle. ACK polling can be initiated immediately. This involves issuing the start condition followed by the slave address for a write operation. If the CAT34FC02 is still busy with the write operation, no ACK will be returned. If the CAT34FC02 has completed the write operation, an ACK will be returned and the host can then proceed with the next read or write operation.

## WRITE PROTECTION

The CAT34FC02 is designed with a hardware protect pin that enables the user to protect the entire memory. The CAT34FC02 also has a software write protection feature. By programming the software write protection register, the first 128 bytes are write protected. The software and hardware protection features of the CAT34FC02 are designed into the part to provide added flexibility to the design engineers.

### Hardware

The write protection feature of CAT34FC02 allows the user to protect against inadvertent programming of the memory array. If the WP pin is tied to Vcc, the entire

Figure 6. Byte Write Timing

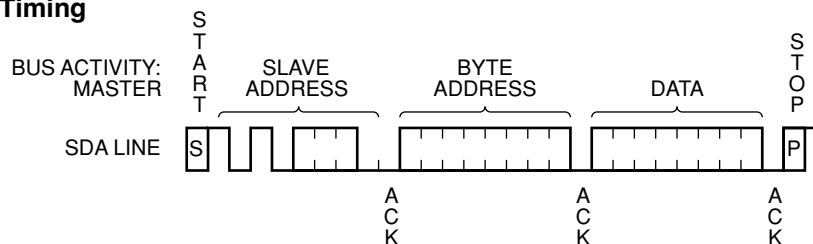
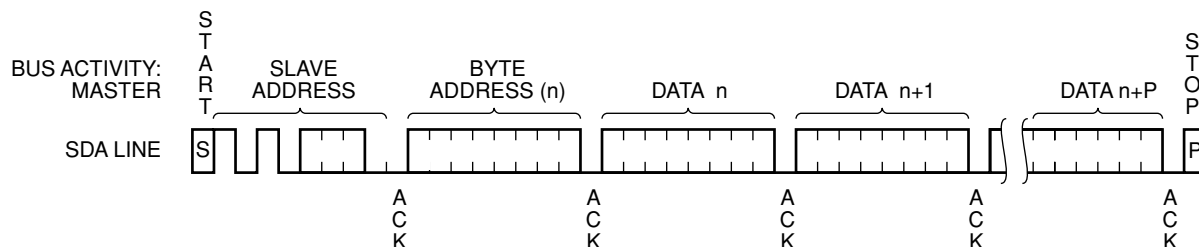


Figure 7. Page Write Timing



NOTE: IN THIS EXAMPLE n = XXXX 0000(B); X = 1 or 0

memory array is protected and becomes read only. The entire memory becomes write protected regardless of whether the write protect register has been written or not. When WP pin is tied to Vcc, the user cannot program the write protect register. If the WP pin is left floating or tied to Vss, the device can be written into (except the first 128 bytes if the write protect register is programmed).

## Software

The software protection on the CAT34FC02 protects the first 128 bytes of the memory array permanently. Software write protect is implemented by programming the write protect register. A user can write only once to the write protect register and once written it is irreversible (even if you reset the CAT34FC02).

## Read Operations

The READ operation for the CAT34FC02 is initiated in the same manner as the write operation with the one exception that the R/W bit is set to a one. Three different READ operations are possible: Immediate Address READ, Selective READ and Sequential READ.

### Immediate Address Read

The CAT34FC02's address counter contains the address of the last byte accessed, incremented by one. In other words, if the last READ or WRITE access was to address N, the READ immediately following would access data from address N + 1. If N = 255 for 34FC02, then the counter will 'wrap around' to address 0 and continue to clock out data. After the CAT34FC02 receives its slave address information (with the R/W bit set to one), it issues an acknowledge, then transmits the 8-bit byte

requested. The master device does not send an acknowledge but will generate a STOP condition.

### Selective Read

Selective READ operations allow the Master device to select at random any memory location for a READ operation. The Master device first performs a 'dummy' write operation by sending the START condition, slave address and byte address of the location it wishes to read. After the CAT34FC02 acknowledge the word address, the Master device resends the START condition and the slave address, this time with the R/W bit set to one. The CAT34FC02 then responds with its acknowledge and sends the 8-bit byte requested. The master device does not send an acknowledge but will generate a STOP condition.

### Sequential Read

The Sequential READ operation can be initiated by either the Immediate Address READ or Selective READ operations. After the CAT34FC02 sends the initial 8-bit data requested, the Master will respond with an acknowledge which tells the device it requires more data. The CAT34FC02 will continue to output a byte for each acknowledge sent by the Master. The operation will terminate operation when the Master fails to respond with an acknowledge, thus sending the STOP condition.

The data being transmitted from the CAT34FC02 is outputted sequentially with data from address N followed by data from address N + 1. The READ operation address counter increments all of the CAT34FC02 address bits so that the entire memory array can be read during one operation. If more than the 256 bytes are read out, the counter will "wrap around" and continue to clock out data bytes.

**Figure 8. Immediate Address Read Timing**

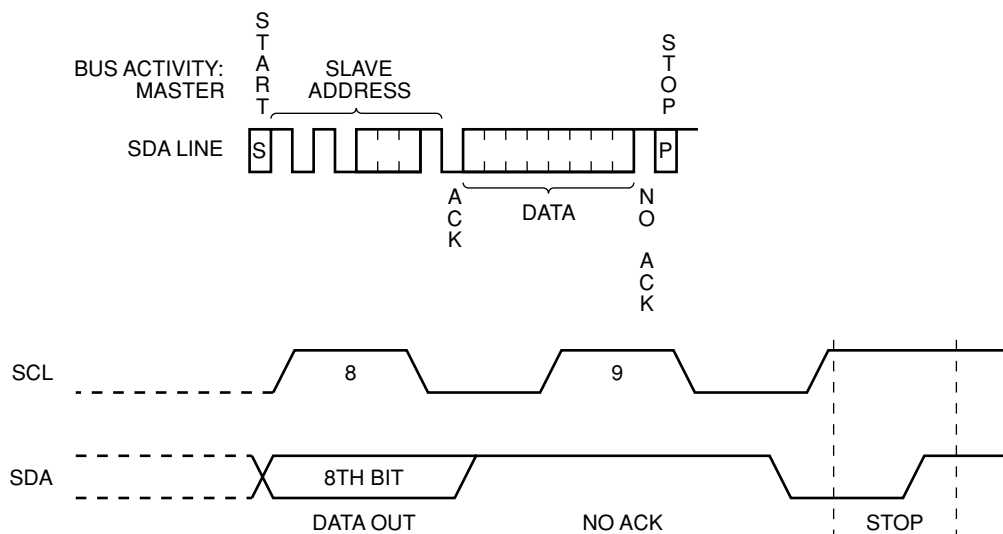


Figure 9. Memory Array

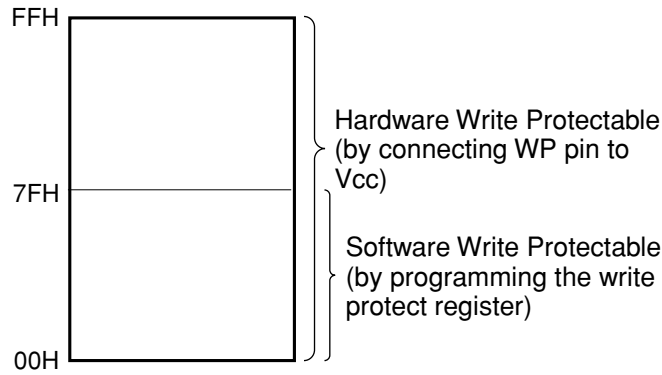


Figure 10. Software Write Protect Register (Write)

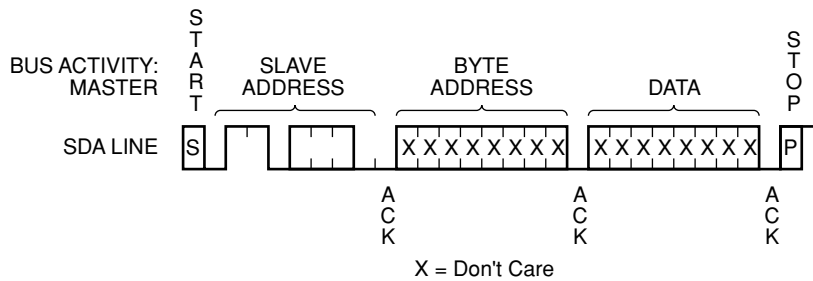


Figure 11. Selective Read Timing

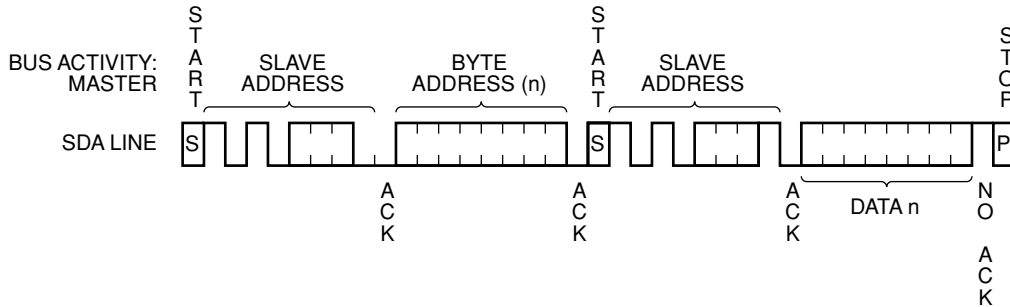
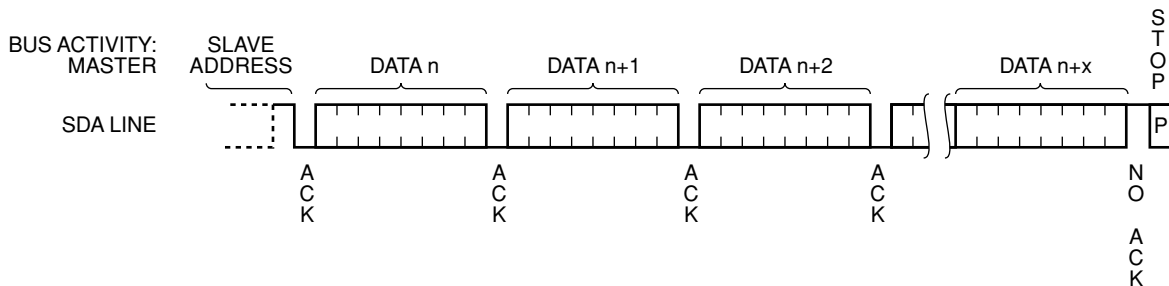
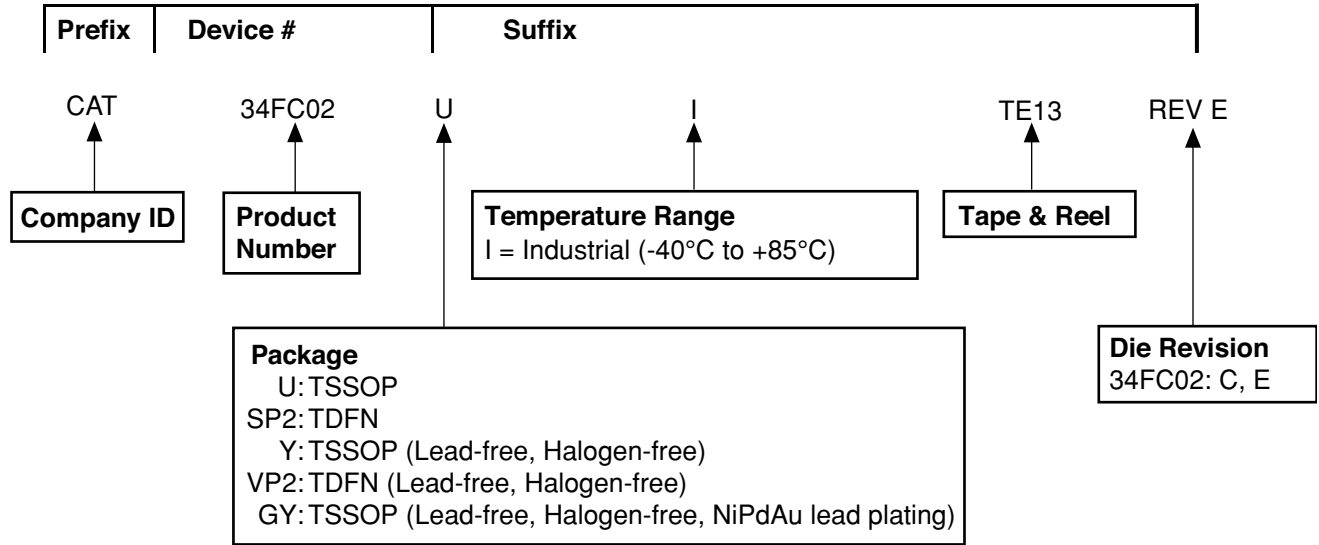


Figure 12. Sequential Read Timing





**ORDERING INFORMATION**



**Notes:**

- (1) The device used in the above example is a CAT34FC02UI-TE13 REV E (TSSOP, Industrial Temperature, 1.7 Volt to 5.5 Volt Operating Voltage, Tape & Reel)

## REVISION HISTORY

Date	Revision	Comments
09/22/03	C	Eliminated commercial temperature range Updated marking
12/19/03	D	Changed " Blank" to " I" for Industrial temperature range in Ordering Information
01/20/04	E	Updated TDFN package drawing Created new block diagram Updated package information to reflect new TDFN
06/07/04	F	Update D.C. Operating Characteristics Update Write Cycle Limits Update Ordering Information Update Revision History Update Rev Number
07/27/04	G	Update notes on page 2
11/30/04	H	Added Die Revision E to Ordering Information
1/11/05	I	Deleted DIP and SOIC packages in all areas Deleted Automotive and Extended Automotive temp ranges in all areas
5/10/05	J	Update Reliability Characteristics Update A.C. Characteristics Read & Write Cycle Limits Write Cycle Limits Update Ordering Information
05/18/05	K	Update A.C. Characteristics Read & Write Cycle Limits
07/19/05	L	Update Ordering Information

### Copyrights, Trademarks and Patents

Trademarks and registered trademarks of Catalyst Semiconductor include each of the following:

DPP™ DPPs™ AE<sup>2</sup>™

Catalyst Semiconductor has been issued U.S. and foreign patents and has patent applications pending that protect its products. For a complete list of patents issued to Catalyst Semiconductor contact the Company's corporate office at 408.542.1000.

*CATALYST SEMICONDUCTOR MAKES NO WARRANTY, REPRESENTATION OR GUARANTEE, EXPRESS OR IMPLIED, REGARDING THE SUITABILITY OF ITS PRODUCTS FOR ANY PARTICULAR PURPOSE, NOR THAT THE USE OF ITS PRODUCTS WILL NOT INFRINGE ITS INTELLECTUAL PROPERTY RIGHTS OR THE RIGHTS OF THIRD PARTIES WITH RESPECT TO ANY PARTICULAR USE OR APPLICATION AND SPECIFICALLY DISCLAIMS ANY AND ALL LIABILITY ARISING OUT OF ANY SUCH USE OR APPLICATION, INCLUDING BUT NOT LIMITED TO, CONSEQUENTIAL OR INCIDENTAL DAMAGES.*

Catalyst Semiconductor products are not designed, intended, or authorized for use as components in systems intended for surgical implant into the body, or other applications intended to support or sustain life, or for any other application in which the failure of the Catalyst Semiconductor product could create a situation where personal injury or death may occur.

Catalyst Semiconductor reserves the right to make changes to or discontinue any product or service described herein without notice. Products with data sheets labeled "Advance Information" or "Preliminary" and other products described herein may not be in production or offered for sale.

Catalyst Semiconductor advises customers to obtain the current version of the relevant product information before placing orders. Circuit diagrams illustrate typical semiconductor applications and may not be complete.



Catalyst Semiconductor, Inc.

Corporate Headquarters

1250 Borregas Avenue

Sunnyvale, CA 94089

Phone: 408.542.1000

Fax: 408.542.1200

www.caalyst-semiconductor.com

Publication #: 1045

Revison: L

Issue date: 07/19/05