

JQX-54FE

MINIATURE HIGH POWER RELAY



File No.:E134517



File No.:CQC02001001955



Features

- * 25A switching capabilities
- * SPST-No configurations
- * Withstand inrush current of 60 A
- * PCB and QC terminal

CONTACT DATA

Contact Arrangement	1A
Initial Contact Resistance Max.	50mΩ (at 1A 6VDC)
Contact Material	AgSnO,AgCdO
Contact Rating (Res. Load)	25A 250VAC
Max. switching voltage	250VAC
Max. switching current	25A
Max. switching power	6250VA/450W
Mechanical life	5 x 10 ⁶ OPS
Electrical life	1x 10 ⁵ OPS

COIL

Coil power	0.9W
------------	------

COIL DATA

Nominal Voltage VDC	Pick-up Voltage VDC	Drop-out Voltage VDC	Max. allowable Voltage VDC(at 20°C)	Coil Resistance Ω
5	3.50	0.50	5.5	27.8 ± 10%
6	4.20	0.60	6.6	40 ± 10%
12	8.40	1.20	13.2	160 ± 10%
24	16.8	2.40	26.4	640 ± 10%
48	33.6	4.80	52.8	2560 ± 10%

CHARACTERISTICS

Initial Insulation Resistance	1000MΩ, 500VDC	
Dielectric Strength	Between coil and Contacts	2000VAC 1min.
	Between open contacts	1000VAC 1min.
Operate time (at nomi. Volt.)	Max. 15ms	
Release time (at nomi. Volt.)	Max. 10ms	
Temperature rise (at nomi. Volt.)	Max. 60°C	
Shock Resistance	Functional	200 m/s ²
	Destructive	1000 m/s ²
Vibration Resistance	DA:1.5mm, 10 to 55Hz	
Ambient temperature	-40°C to +55°C	
Humidity	35% to 95%, +40°C	
Termination	QC & PCB	
Unit weight	Approx. 42g	
Construction	Dust cover	

SAFETY APPROVAL RATINGS

UL	20A 220VAC 1.5HP 250VAC
----	----------------------------



HONGFA RELAY
ISO9001*ISO/TS16949 *ISO14001 CERTIFIED

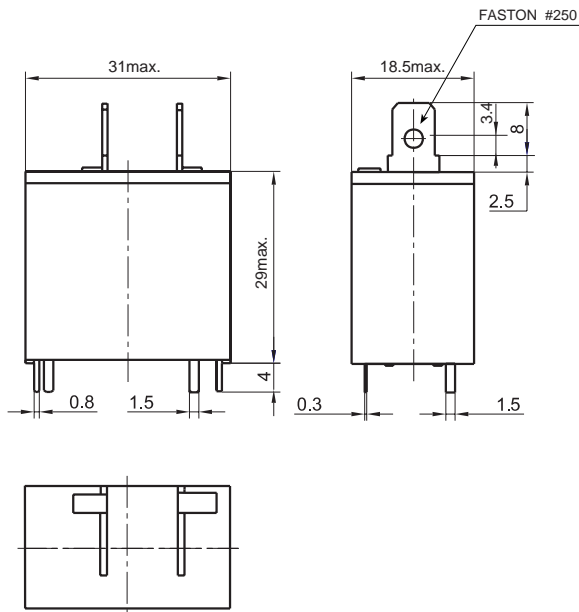
VERSION: EN02-20040601

ORDERING INFORMATION

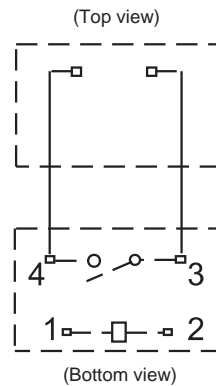
Type	JQX-54FE /	012D	H	3	T
Coil voltage	5, 6, 12, 24, 48VDC				
Contact arrangement	H:1 Form A (SPST-NO)				
Termination	3: QC & PCB				
Contact Material	T: AgSnO ₂	Nil: AgCdO			

OUTLINE DIMENSIONS, WIRING DIAGRAM AND PC BOARD LAYOUT

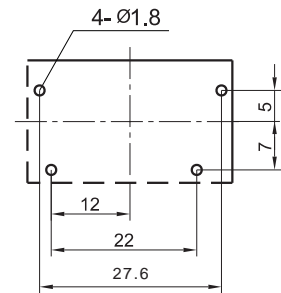
Outline Dimensions



Wiring Diagram

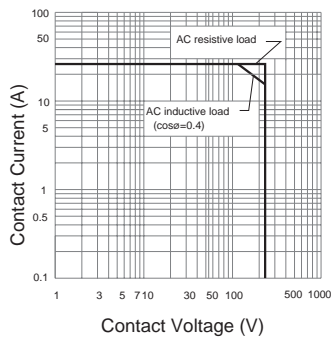


PCB layout



CHARACTERISTICS CURVE

MAXIMUM SWITCHING POWER



LIFE CURVE

