

## Line Regulator Controller

### Features

- Low Dropout Voltage: 100mV @ 650mA with FZT749 PNP Transistor
- 2.7V to 8V Supply Range
- Low Operating Current: 50µA Operating, 0.2µA Shutdown
- Low True Chip Enable
- Output Accuracy <math>\lt; \pm 2\%</math>
- Small Package: 5-Pin SOT-23A

### Applications

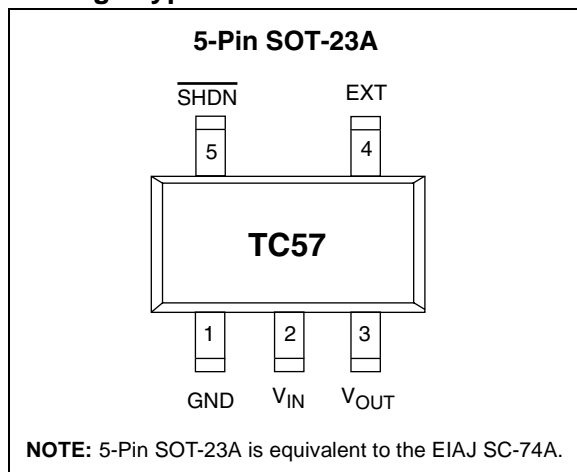
- Battery Operated Systems
- Portable Instruments
- High-Efficiency Linear Regulator
- Post-Regulator for SMPS
- Power Supply or Battery Back-Up Supply for Memory

### Device Selection Table

Part Number	Output Voltage	Package	Temperature Range
TC572502ECT	2.5V	5-Pin SOT-23A	-40°C to +85°C
TC573002ECT	3.0V	5-Pin SOT-23A	-40°C to +85°C
TC573302ECT	3.3V	5-Pin SOT-23A	-40°C to +85°C

Other output voltages and package options are available. Please contact Microchip Technology Inc. for details.

### Package Type

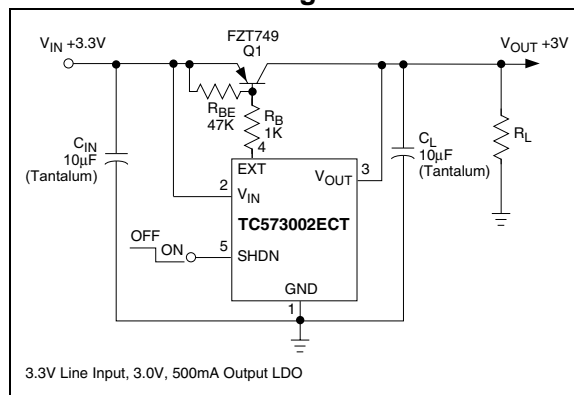


### General Description

The TC57 is a low dropout regulator controller that operates with an external PNP pass transistor, allowing the user to tailor the LDO characteristics to suit the application at hand. This results in lower dropout operation (and often lower cost) compared with traditional linear regulators with on-board pass transistors. The maximum output current of a TC57-based regulator circuit is limited only by the characteristics of the external pass transistor. For example, a maximum output current of 650mA (with a dropout voltage of 100mV) results when an FZT749 pass transistor is used, while a Darlington configuration can deliver up to 4A.

Flexibility, and superior performance make this family of regulator controllers the ideal choice in applications where low dropout voltage and low installed cost are key.

### Functional Block Diagram



# TC57

## 1.0 ELECTRICAL CHARACTERISTICS

### Absolute Maximum Ratings\*

Input Voltage .....	+12V
Output Current .....	50mA
Output Voltage.....	-0.3V to (V <sub>IN</sub> + 0.3V)
Power Dissipation.....	150mW
Operating Temperature Range.....	-40°C to +85°C
Storage Temperature Range .....	-40°C to +150°C

\*Stresses above those listed under "Absolute Maximum Ratings" may cause permanent damage to the device. These are stress ratings only and functional operation of the device at these or any other conditions above those indicated in the operation sections of the specifications is not implied. Exposure to Absolute Maximum Rating conditions for extended periods may affect device reliability.

### TC55 ELECTRICAL SPECIFICATIONS

TC57EP3002 Electrical Characteristics: $\overline{\text{SHDN}} = \text{GND}$ , $V_{\text{IN}} = V_{\text{OUT}} + 1\text{V}$ , $V_{\text{OUT}} = 3\text{V to } 5\text{V}$ , $I_{\text{OUT}} = 0$ , $T_{\text{A}} = 25^{\circ}\text{C}$ , Test Circuit of Figure 3-1, unless otherwise noted. (Note 2)						
Symbol	Parameter	Min	Typ	Max	Units	Test Conditions
V <sub>IN</sub>	Input Voltage	—	—	8	V	
V <sub>EXT</sub>	Voltage on EXT Output	—	—	8	V	
V <sub>OUT</sub>	Output Voltage	0.98 × V <sub>R</sub>	V <sub>R</sub> ±0.5%	1.02 × V <sub>R</sub>	V	I <sub>OUT</sub> = 50mA (Note 1)
ΔV <sub>OUT</sub>	Load Regulation	-60	—	60	mV	1mA ≤ I <sub>OUT</sub> ≤ 100mA (Note 3)
V <sub>IN</sub> - V <sub>OUT</sub>	Dropout Voltage	—	100	—	mV	I <sub>OUT</sub> = 100mA (Note 2)
I <sub>DD</sub>	Supply Current	—	50	80	μA	V <sub><math>\overline{\text{SHDN}}</math></sub> = V <sub>IN</sub> = 5V
I <sub>SHDN</sub>	Shutdown Supply Current	—	—	0.6	μA	V <sub><math>\overline{\text{SHDN}}</math></sub> = GND
ΔV <sub>OUT</sub> /ΔV <sub>IN</sub>	Line Regulation	—	0.1	0.3	%/V	I <sub>OUT</sub> = 50mA, 4V ≤ V <sub>IN</sub> ≤ 8V (Note 3)
ΔV <sub>OUT</sub> /ΔT	V <sub>OUT</sub> Temperature Coefficient	—	±100	—	ppm/°C	I <sub>OUT</sub> = 10mA, -40°C < T <sub>J</sub> < +85°C (Note 3)
I <sub>LEXT</sub>	EXT Pin Leakage Current	—	—	0.5	μA	
I <sub>EXT</sub>	EXT Sink Current	—	—	25	mA	Note 4
V <sub>IH</sub>	SHDN Input High Logic Threshold	1.5	—	—	V	
V <sub>IL</sub>	SHDN Input Low Logic Threshold	—	—	0.25	V	
I <sub>IH</sub>	SHDN Input Current @ V <sub>IH</sub>	—	—	0.1	μA	V <sub><math>\overline{\text{SHDN}}</math></sub> = V <sub>IN</sub> = 5V
I <sub>IL</sub>	SHDN Input Current @ V <sub>IL</sub>	-0.2	-0.05	0	μA	V <sub><math>\overline{\text{SHDN}}</math></sub> = GND

- Note**
- 1: V<sub>R</sub> is the regulator output voltage setting.
  - 2: Dropout voltage is defined as the input to output differential at which the output voltage drops 2% below its nominal value measured at a 1V differential.
  - 3: Varies with type of pass transistor used. Numbers shown are for the test circuit of Figure 3-1.
  - 4: The product of I<sub>EXT</sub> × V<sub>EXT</sub> must be less than the maximum allowable power dissipation.

## 2.0 PIN DESCRIPTIONS

The descriptions of the pins are listed in Table 2-1.

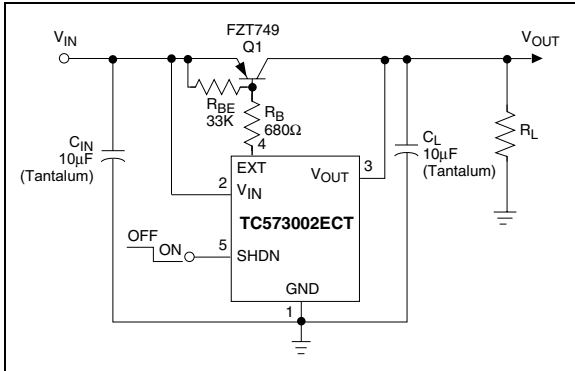
**TABLE 2-1: PIN FUNCTION TABLE**

Pin No. (5-Pin SOT-23A)	Symbol	Description
1	GND	Ground terminal.
2	$V_{IN}$	Supply voltage input. Positive input voltage of 2.7V to 8.0V.
3	$V_{OUT}$	Regulator voltage sense input. Connects to the collector of the external PNP pass transistor.
4	EXT	Base Drive for the external PNP pass transistor.
5	SHDN	Shutdown Input. The device is enabled when $SHDN \leq V_{IL}$ . The device enters a low power shutdown state when $SHDN \geq V_{IH}$ . During shutdown, the output is disabled, and supply current falls to less than 1 $\mu$ A.

## 3.0 DETAILED DESCRIPTION

The TC57 series of precision low dropout regulator controllers use an external PNP transistor to accommodate a wide range of output currents. A series resistor ( $R_B$ ) limits the maximum base current drawn from the PNP transistor. Limiting the base drive both determines the regulator's output current capability, as well as limits ground current when the device is operated in dropout. The PNP transistor's  $V_{CE(SAT)}$  is the only factor limiting dropout voltage.

**FIGURE 3-1: TEST CIRCUIT**



### 3.1 Transistor Selection

The PNP pass transistor must have satisfactory power dissipation, current gain, and collector current specifications to suit the application at hand. The maximum output current the circuit can deliver is influenced by  $h_{FE}$ . The highest guaranteed output current is given by:

**EQUATION 3-1:**

$$I_{LOAD(MAX)} = 25 \text{ mA} \times h_{FE(MIN)}$$

The transistor's actual power dissipation (PD) is equal to the maximum load current times the maximum input/output voltage differential, or:

**EQUATION 3-2:**

$$P_D \approx I_{LOAD(MAX)} \times (V_{IN(MAX)} - V_{OUT(MIN)})$$

The ideal transistor has a minimum  $h_{FE}$  of 100, and a  $V_{CE(SAT)}$  of less than 0.6V at full output current. For example, the Zetex FZT749 has an  $h_{FE}$  of 170 at a collector current of 1A, and a guaranteed  $V_{CE(SAT)}$  of 0.3V at a base current of 100mA. It is packaged in a SOT-223 and is recommended for use with the TC57. Other transistors are also suitable, depending on the required input and output voltages and output current (Table 3-1).

### 3.2 Base-Current Limiting Resistor

Base current limiting resistor  $R_B$  can be estimated using:

**EQUATION 3-3:**

$$R_B = \frac{h_{FE} (V_{IN} - V_{BE})}{I_{OUT}}$$

Where:

$h_{FE}$  is the current gain of the pass transistor

$V_{IN}$  is the input voltage (in volts)

$V_{BE}$  is the base-emitter voltage at the desired output current (in volts)

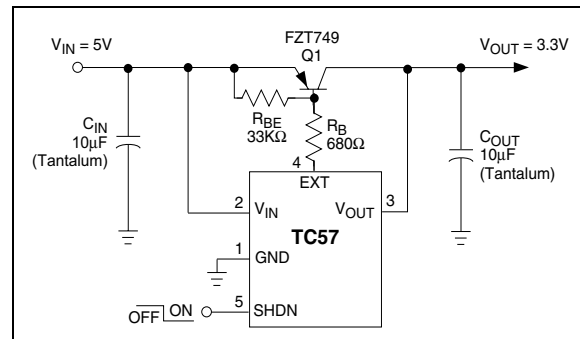
$I_{OUT}$  is the output current (in Amps)

For example, assume a desired continuous output current of 1.0A, an input voltage of 5V, and an FZT749 pass transistor. The FZT749 has a typical  $h_{FE}$  of 170, and a  $V_{BE}$  of 0.8V; both specified at a collector current of 1.0A. Substituting these values into the equation above results in an  $R_B$  value of 704Ω (closest standard value = 680Ω).

### 3.3 Pull-Up Resistor and Output Capacitor

A pull-up resistor ( $R_{BE}$ , installed between the base and emitter of the pass transistor) facilitates rapid turn-off of the pass transistor in the event of a sudden decrease in load (Figure 3-2). Recommended values for this resistor are between 20KΩ and 47KΩ. A Tantalum output capacitor of at least 10µF must be used to guarantee stability. Higher values decrease output noise and eliminate power-on overshoot, but extend power-up times. Table 3-1 lists several capacitor choices.

**FIGURE 3-2: 3.3V, 1A REGULATOR USING 5V SUPPLY INPUT**



### 3.4 Input Capacitor

The addition of an input capacitor further reduces output noise, and negates the effects of power supply input impedance. A 10 $\mu$ F (min) Tantalum capacitor is recommended.

### 3.5 Shutdown Mode

The TC57 enters a low power shutdown mode when the shutdown input (SHDN) is high. During shutdown, the regulator is disabled, the output capacitor is discharged through the load, and supply current to the TC57 decreases to less than 1 $\mu$ A. Normal operation resumes when SHDN is brought low. If the shutdown mode is not used, SHDN should be tied to  $V_{IN}$ .

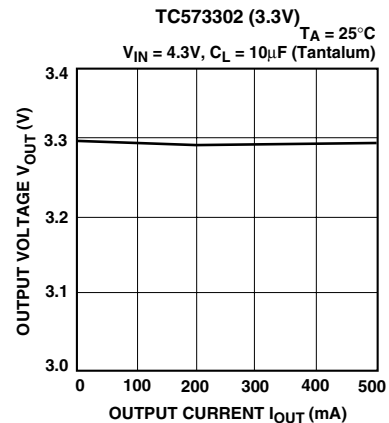
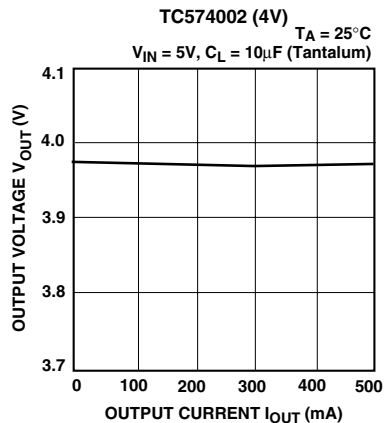
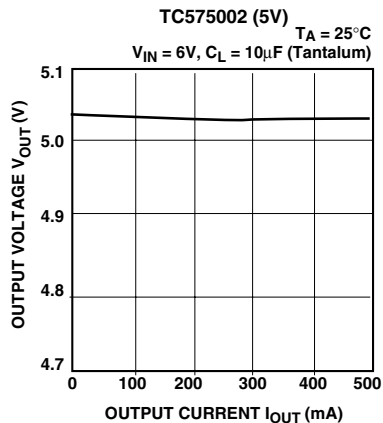
**TABLE 3-1: COMPONENT SUPPLIERS**

Device	Mounting Method	Manufacturer	Website
<b>CAPACITORS</b>			
267 Series	Surface Mount	Matsuo	<a href="http://www.matsuoelectronics.com">http://www.matsuoelectronics.com</a>
F95 Tantalum Series	Surface Mount	Nichicon	<a href="http://www.nichicon-us.com">http://www.nichicon-us.com</a>
595 Tantalum Series	Surface Mount	Sprague	<a href="http://www.vishay.com/brands/sprague">http://www.vishay.com/brands/sprague</a>
OS-CON Series	Through-Hole	Sanyo	<a href="http://www.sanyovideo.com">http://www.sanyovideo.com</a>
LXF Series	Through-Hole	United Chemi-Con	<a href="http://chemi-con.com">http://chemi-con.com</a>
<b>TRANSISTORS</b>			
ZTX749	Through-Hole	Zetex	<a href="http://www.zetex.com">http://www.zetex.com</a>
2N4403	Through-Hole	ON SEMI	<a href="http://www.onsemi.com/home">http://www.onsemi.com/home</a>
2N2907A	Through-Hole	ON SEMI	<a href="http://www.onsemi.com/home">http://www.onsemi.com/home</a>
FZT749	Surface Mount	Zetex	<a href="http://www.zetex.com">http://www.zetex.com</a>

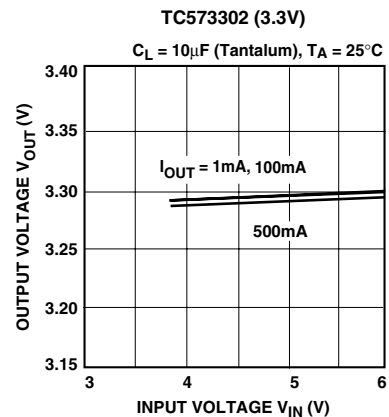
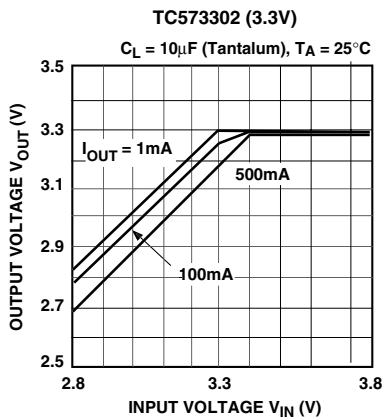
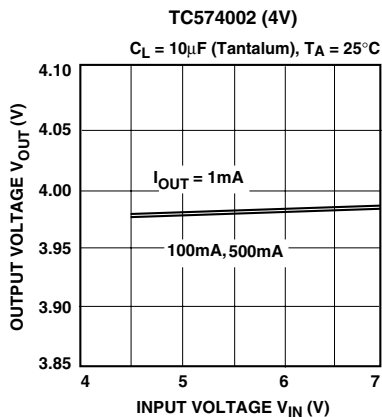
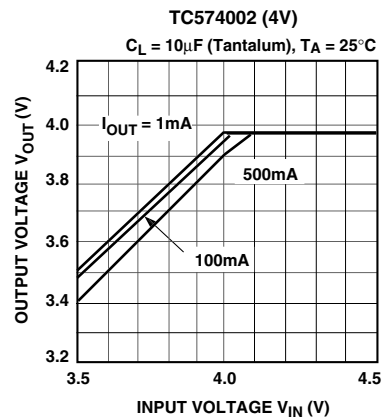
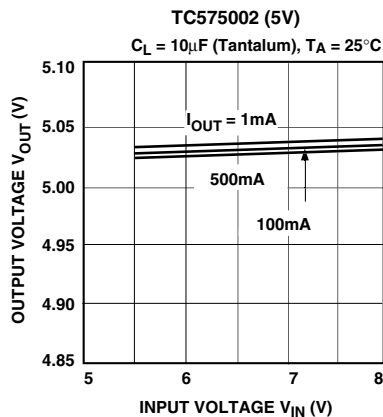
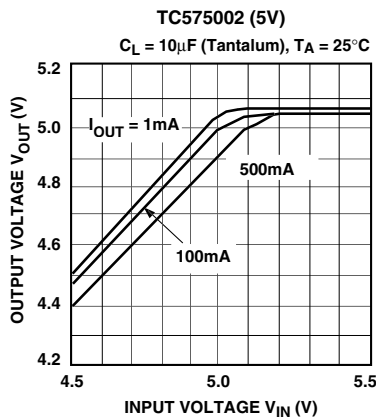
## 4.0 TYPICAL CHARACTERISTICS

**Note:** The graphs and tables provided following this note are a statistical summary based on a limited number of samples and are provided for informational purposes only. The performance characteristics listed herein are not tested or guaranteed. In some graphs or tables, the data presented may be outside the specified operating range (e.g., outside specified power supply range) and therefore outside the warranted range.

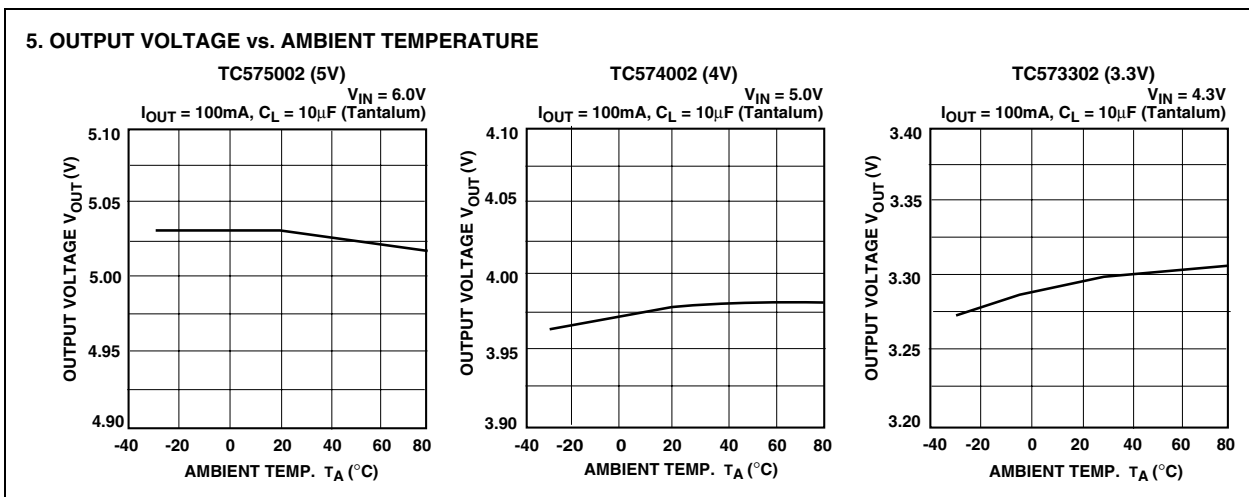
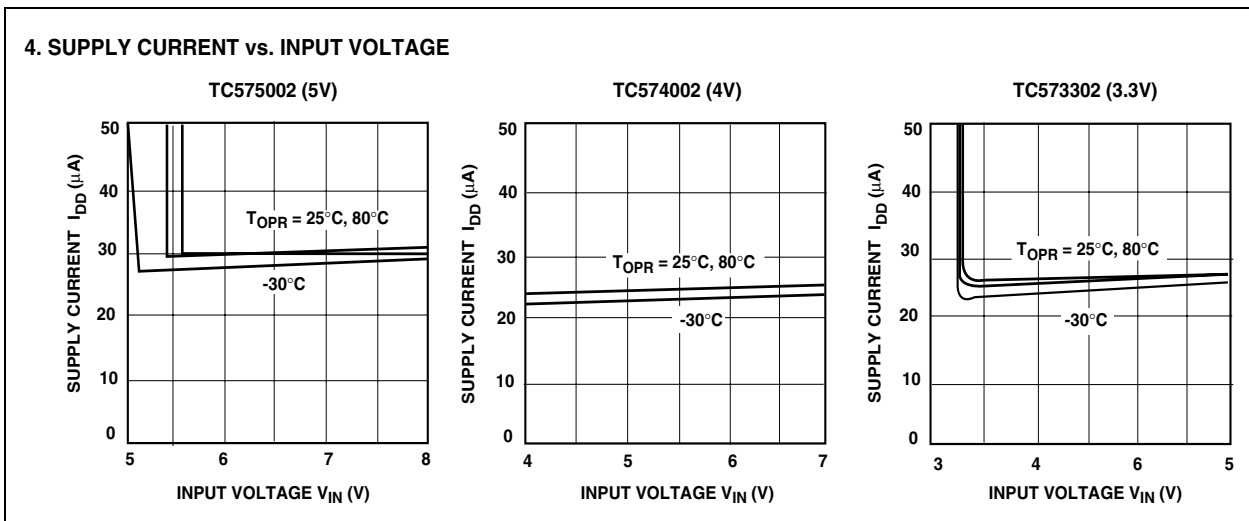
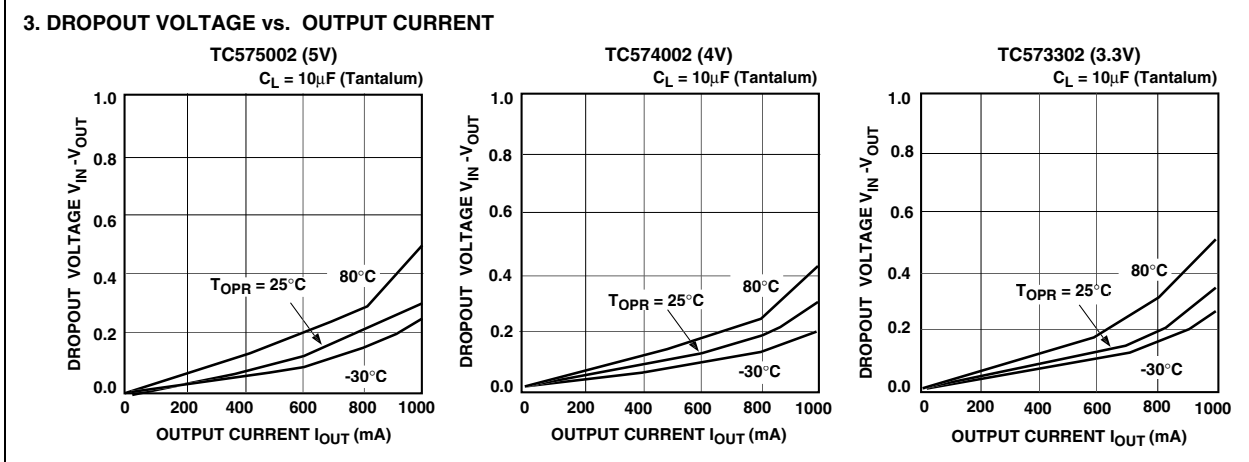
### 1. OUTPUT VOLTAGE vs. OUTPUT CURRENT



### 2. OUTPUT VOLTAGE vs. INPUT VOLTAGE

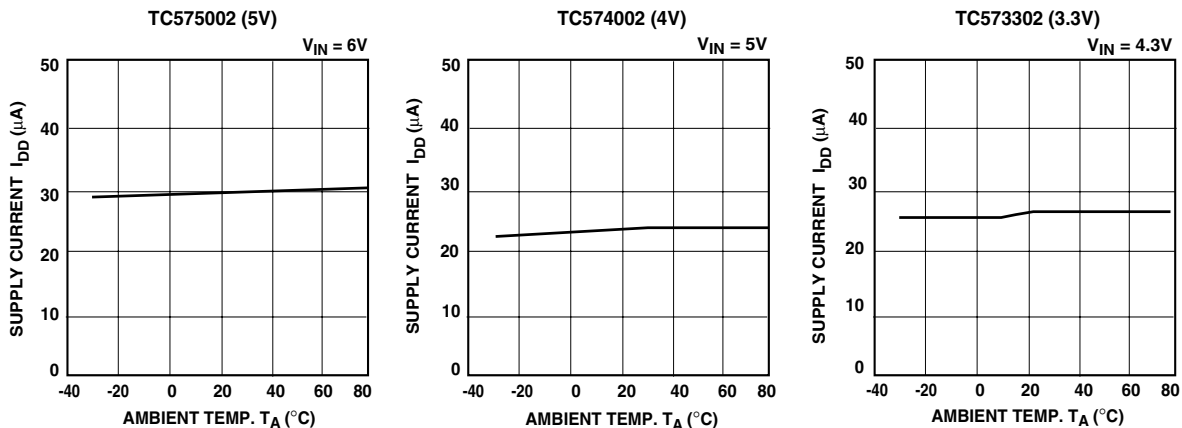


## 4.0 TYPICAL CHARACTERISTICS (CONTINUED)

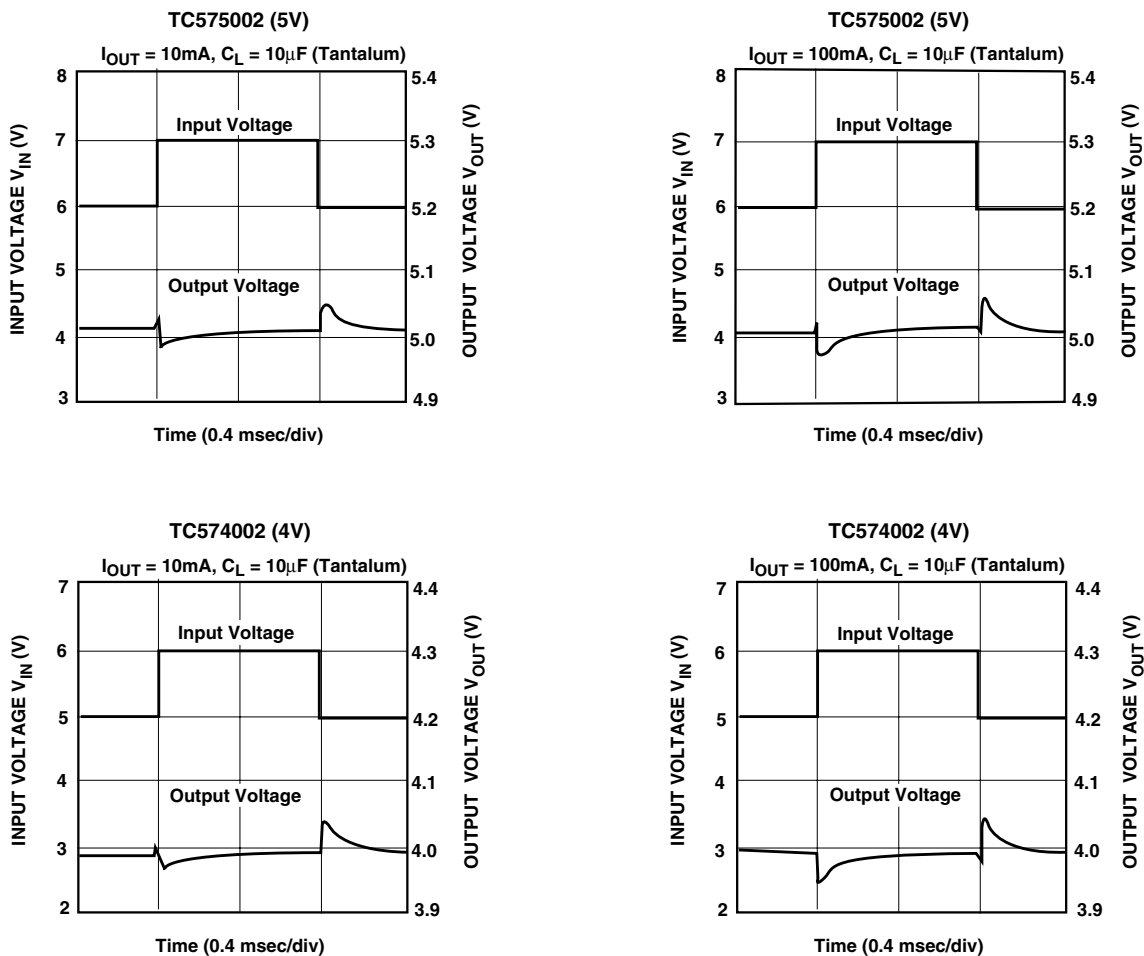


## 4.0 TYPICAL CHARACTERISTICS (CONTINUED)

### 6. SUPPLY CURRENT vs. AMBIENT TEMPERATURE



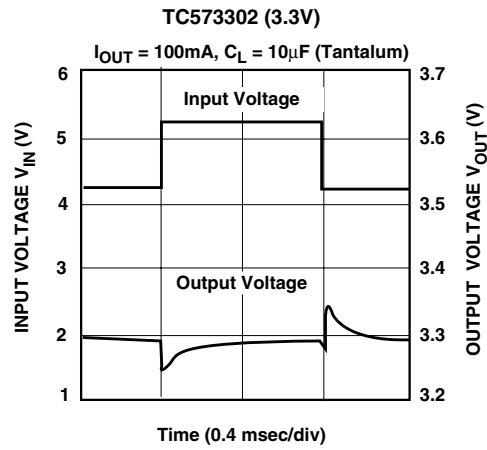
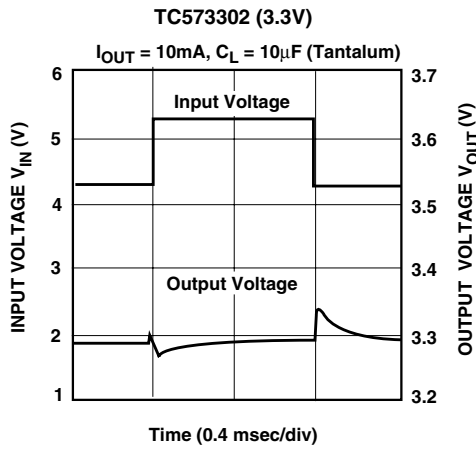
### 7. INPUT TRANSIENT RESPONSE



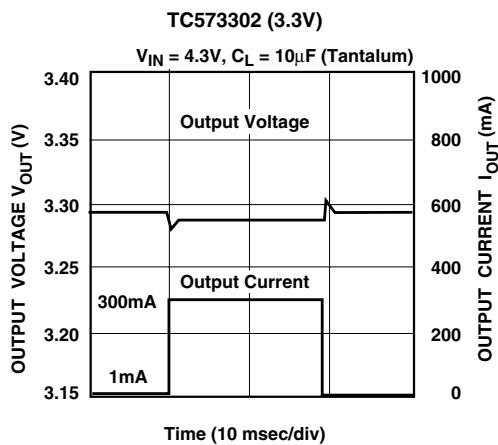
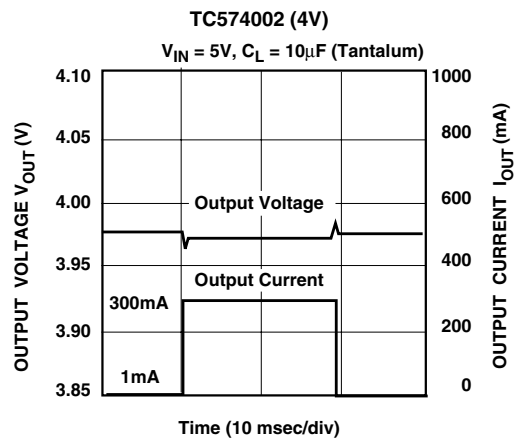
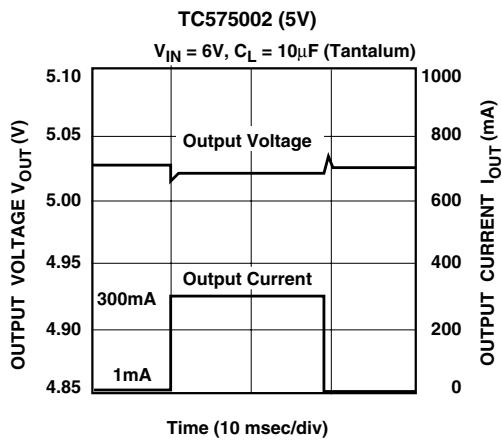


## 4.0 TYPICAL CHARACTERISTICS (CONTINUED)

### 7. INPUT TRANSIENT RESPONSE (CONT.)

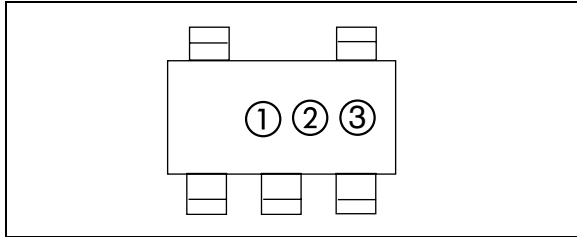


### 8. LOAD TRANSIENT RESPONSE



## 5.0 PACKAGING INFORMATION

### 5.1 Package Marking Information



① represents integer part of output voltage

② represents first decimal of output voltage

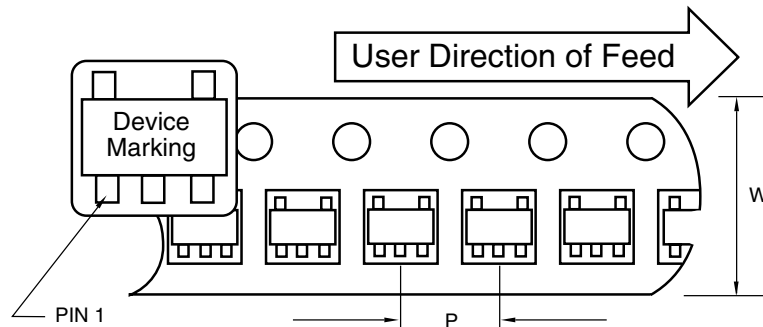
Symbol	Voltage	Symbol	Voltage
0	.0	5	.5
1	.1	6	.6
2	.2	7	.7
3	.3	8	.8
4	.4	9	.9

③ represents production lot ID code

Symbol	Voltage
2	2.
3	3.
4	4.
5	5.
6	6.

### 5.2 Taping Form

#### Component Taping Orientation for 5-Pin SOT-23A (EIAJ SC-74A) Devices

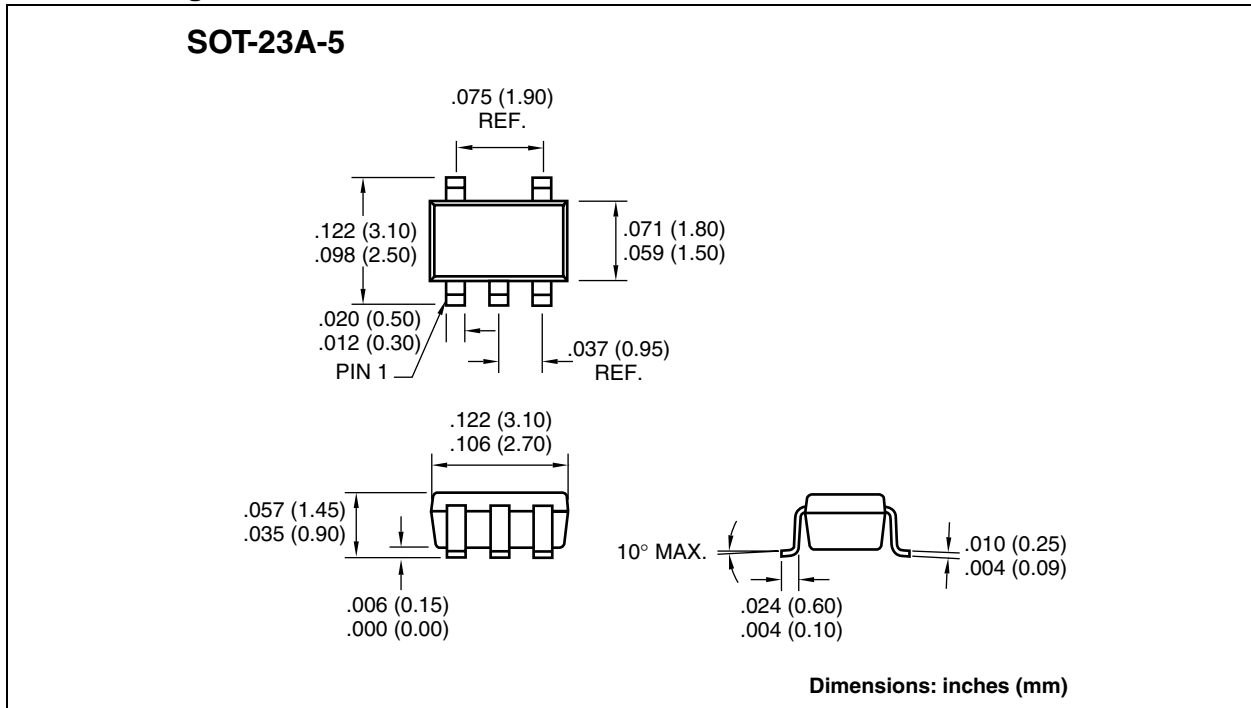


Standard Reel Component Orientation  
TR Suffix Device  
(Mark Right Side Up)

#### Carrier Tape, Number of Components Per Reel and Reel Size

Package	Carrier Width (W)	Pitch (P)	Part Per Full Reel	Reel Size
5-Pin SOT-23A	8 mm	4 mm	3000	7 in

## 5.3 Package Dimensions



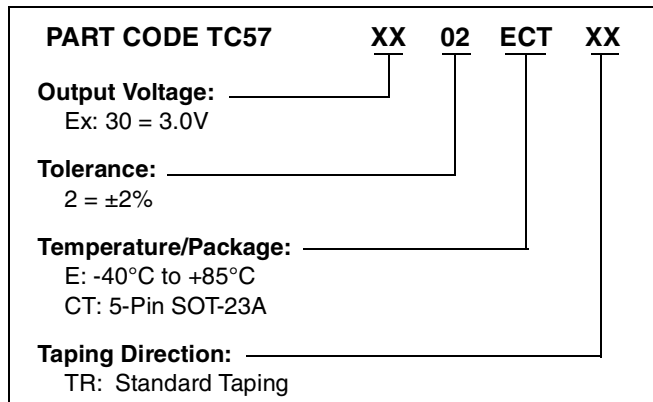
# TC57

---

NOTES:

## PRODUCT IDENTIFICATION SYSTEM

To order or obtain information, e.g., on pricing or delivery, refer to the factory or the listed sales office.



### Sales and Support

#### **Data Sheets**

Products supported by a preliminary Data Sheet may have an errata sheet describing minor operational differences and recommended workarounds. To determine if an errata sheet exists for a particular device, please contact one of the following:

1. Your local Microchip sales office
2. The Microchip Corporate Literature Center U.S. FAX: (480) 792-7277
3. The Microchip Worldwide Site ([www.microchip.com](http://www.microchip.com))

Please specify which device, revision of silicon and Data Sheet (include Literature #) you are using.

#### **New Customer Notification System**

Register on our web site ([www.microchip.com/cn](http://www.microchip.com/cn)) to receive the most current information on our products.

# TC57

---

NOTES:

Information contained in this publication regarding device applications and the like is intended through suggestion only and may be superseded by updates. It is your responsibility to ensure that your application meets with your specifications. No representation or warranty is given and no liability is assumed by Microchip Technology Incorporated with respect to the accuracy or use of such information, or infringement of patents or other intellectual property rights arising from such use or otherwise. Use of Microchip's products as critical components in life support systems is not authorized except with express written approval by Microchip. No licenses are conveyed, implicitly or otherwise, under any intellectual property rights.

## Trademarks


The Microchip name and logo, the Microchip logo, FilterLab, KEELOQ, microID, MPLAB, PIC, PICmicro, PICMASTER, PICSTART, PRO MATE, SEEVAL and The Embedded Control Solutions Company are registered trademarks of Microchip Technology Incorporated in the U.S.A. and other countries.

dsPIC, ECONOMONITOR, FanSense, FlexROM, fuzzyLAB, In-Circuit Serial Programming, ICSP, ICEPIC, microPort, Migratable Memory, MPASM, MPLIB, MPLINK, MPSIM, MXDEV, MXLAB, PICC, PICDEM, PICDEM.net, rPIC, Select Mode and Total Endurance are trademarks of Microchip Technology Incorporated in the U.S.A.

Serialized Quick Turn Programming (SQTP) is a service mark of Microchip Technology Incorporated in the U.S.A.

All other trademarks mentioned herein are property of their respective companies.

© 2002, Microchip Technology Incorporated, Printed in the U.S.A., All Rights Reserved.

 Printed on recycled paper.



*Microchip received QS-9000 quality system certification for its worldwide headquarters, design and wafer fabrication facilities in Chandler and Tempe, Arizona in July 1999 and Mountain View, California in March 2002. The Company's quality system processes and procedures are QS-9000 compliant for its PICmicro® 8-bit MCUs, KEELOQ® code hopping devices, Serial EEPROMs, microperipherals, non-volatile memory and analog products. In addition, Microchip's quality system for the design and manufacture of development systems is ISO 9001 certified.*