
MSC1212-01

48-Bit Grid/Anode Driver

GENERAL DESCRIPTION

The MSC1212-01 is a driver IC for VFD implemented in BiCMOS technology.

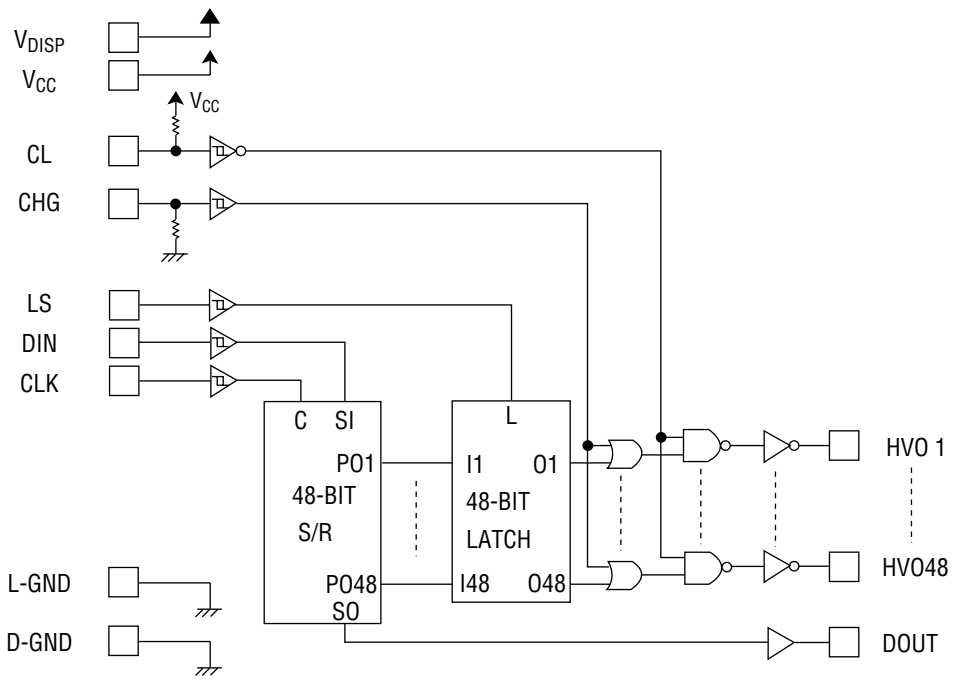
The circuit consists of a 48-bit shift register and a 48-bit latch; they control display data, which is output from the display drivers.

Since a 64-pin plastic QFP package is used, the display unit size can be reduced.

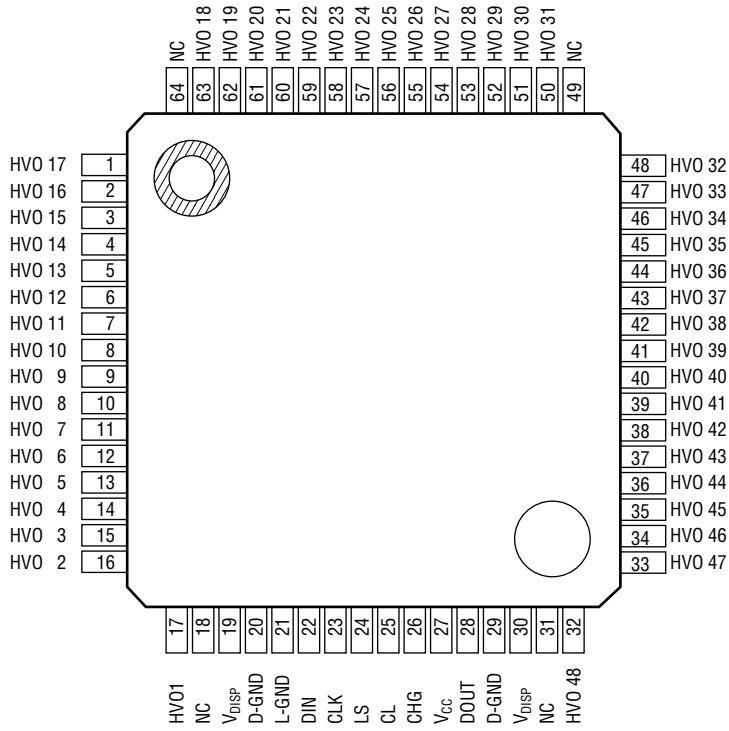
FEATURES

- Logic supply voltage (V_{CC}) : 4.5 to 5.5 V
- Driver supply voltage (V_{DISP}) : 8 to 18 V
- Operating temperature range : -40 to +105°C
- Driver output current : $I_{O2-1} = -6$ mA (for only one driver on state)
 $I_{O2-2} = -50$ mA (total current for all drivers on state)
 $I_{O2-3} = 0.2$ mA
- Built-in 48-bit output Driver (with latch)
- Built-in 48-bit shift register
- Clock frequency : 0.5 MHz
- Package:
64-pin plastic QFP (QFP64-P-1414-0.80-BK) (Product name: MSC1212-01GS-BK)

BLOCK DIAGRAM



PIN CONFIGURATION (TOP VIEW)

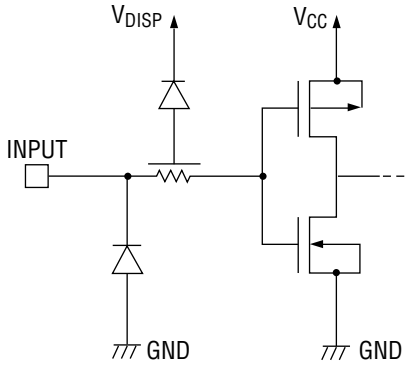


NC: No-connection pin

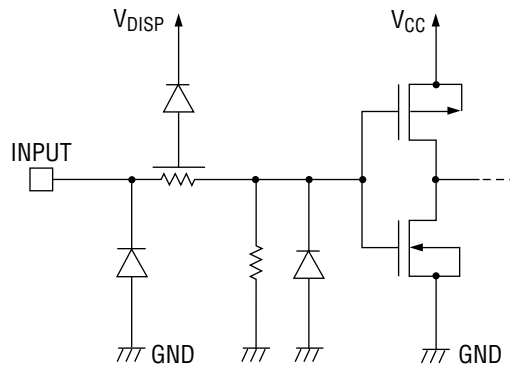
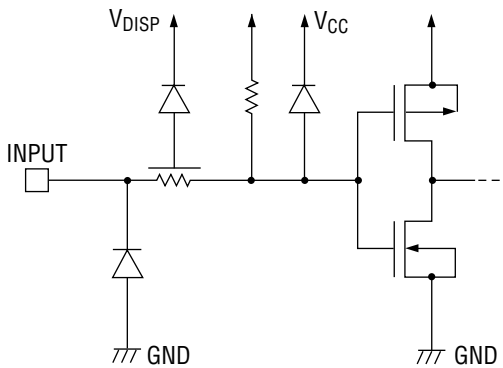
64-Pin Plastic QFP

INPUT AND OUTPUT CONFIGURATION

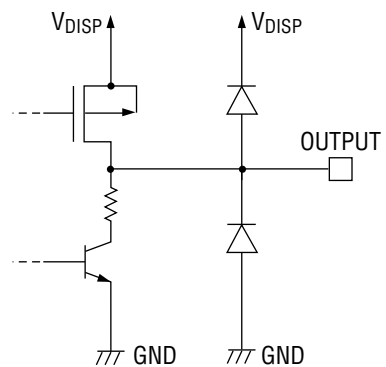
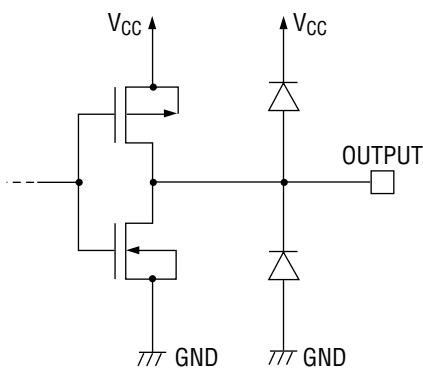
- Schematic Diagrams of Logic Portion Input Circuit



- Schematic Diagrams of Logic Portion Input Circuit (Pull-up)
- Schematic Diagrams of Logic Portion Input Circuit (Pull-down)



- Schematic Diagrams of Logic Portion Output Circuit
- Schematic Diagrams of Driver Output Circuit



PIN DESCRIPTION

Function	Pin	Symbol	Description
Driver Output	1 to 17 32 to 48 50 to 63	HVO1 to HVO48	Driver output pins, applicable to each bit of shift register.
Driver Power Supply	19, 30	V _{DISP}	Power supply pins for driver circuit. Both Pin 19 and 30 should be connected externally.
Logic Power Supply	27	V _{CC}	Power supply pin for logic.
Driver GND	20, 29	D-GND	GND pins for the driver circuit. Both Pin 20 and 29 should be connected externally.
Logic GND	21	L-GND	GND pin for the logic circuit.
Data Input	22	DIN	Input pin without pull-up or pull-down resistor. Input pin of shift register. Display data input is synchronized with clock signal. (positive logic)
Clock Input	23	CLK	Input pin without pull-up or pull-down resistor. Data of shift register is shifted from one stage to the next on application of each clock rising edge.
Latch Strobe Input	24	LS	Input pin without pull-up or pull-down resistor. When LS is at "H" level, the latch is shunted and the shift register output becomes the latched output. When LS is at "L" level, the latch holds the shift register output just before LS goes to "L" level.
Clear Input	25	CL	Clear input pin with pull-up resistor. Normally "L" level. In this condition, driver output changes to "H" or "L" according to latch output level. When CL is "H", all driver output pins are fixed to "L".
Test Input	26	CHG	Test input pin with pull-down resistor. Normally "L" level, but here, if CL="H", then driver output changes to "H" or "L" according to latch output level. If CL = "L" when CHG is at "H" level, all driver output is fixed to "H" for test.
Data Output	28	DOUT	Serial output pin of shift register.

ABSOLUTE MAXIMUM RATINGS

Parameter	Symbol	Condition	Rating	Unit
Logic Supply Voltage *1	V _{CC}	—	-0.3 to +6.5	V
Driver Supply Voltage *1, *2	V _{DISP}	—	-0.3 to +20	V
Input Voltage *1	V _{IN}	Applicable to all input pins	-0.3 to V _{CC} +0.3	V
Data Output Voltage *1	V _{O1}	Applicable to data output pin	-0.3 to V _{CC} +0.3	V
Driver Output Voltage *1	V _{O2}	Applicable to driver output pin	-0.3 to V _{DISP} +0.3	V
Power Dissipation	P _D	T _a ≤ 25°C	1.0	W
Thermal Resistance *3	R _{j-a}	—	120	°C/W
Storage Temperature	T _{STG}	—	-55 to +150	°C

*1 Maximum supply voltage with respect to L-GND and D-GND

*2 Catastrophic breakdown may occur if the applied voltage is more than the rating.

*3 Thermal resistance of package (between junction and atmosphere)

The junction temperature (T_j) given by the following formula should not exceed 150°C.

$$T_j = P \times R_{j-a} + T_a \text{ (P is the maximum power dissipation)}$$

RECOMMENDED OPERATING CONDITIONS

Parameter	Symbol	Condition	Min.	Max.	Unit
Logic Supply Voltage	V_{CC}	Applicable to logic supply voltage pin	4.5	5.5	V
Driver Supply Voltage	V_{DISP}	Applicable to driver supply voltage pin	8	18	V
High Level Input Voltage	V_{IH}	Applicable to all input pins	$0.8 V_{CC}$	—	V
Low Level Input Voltage	V_{IL}	Applicable to all input pins	—	$0.2 V_{CC}$	V
Logic Output Current	I_{O1}	Applicable to DOUT pin	-0.1	0.1	mA
Driver High Level Output Current	I_{O2-1}	Only one driver is ON state	—	-6	mA
Driver High Level Output Current	I_{O2-2}	Total current at all driver outputs are ON state	—	-50	mA
Driver Low Level Output Current	I_{O2-3}	Applicable to all driver output pins	—	0.2	mA
CLK Frequency	f_{CLK}	See Timing Diagram	—	0.5	MHz
Data Setup Time	t_{DS}	See Timing Diagram	400	—	ns
Data Hold Time	t_{DH}	See Timing Diagram	300	—	ns
LS Pulse Width	t_{WLS}	See Timing Diagram	125	—	ns
CHG Pulse Width	t_{WCHG}	See Timing Diagram	10	—	μ s
CL Pulse Width	t_{WCL}	See Timing Diagram	10	—	μ s
CLK Pulse Width	t_{WCLK}	See Timing Diagram	500	—	ns
CLK-LS Delay Time	$t_{DCLK-LS}$	See Timing Diagram	525	—	ns
LS-CLK Delay Time	$t_{WLS-CLK}$	See Timing Diagram	0	—	ns
LS-CHG Delay Time	$t_{WLS-CHG}$	See Timing Diagram	0	—	ns
LS-CL Delay Time	t_{WLS-CL}	See Timing Diagram	0	—	ns
Operating Temperature	T_{op}	—	-40	105	$^{\circ}$ C

ELECTRICAL CHARACTERISTICS

DC Characteristics

($V_{CC} = 4.5$ to 5.5 V, $V_{DISP} = 8$ to 18 V, $T_a = -40$ to $+105^\circ\text{C}$)

Parameter	Symbol	Condition	Min.	Typ.	Max.	Unit	
Logic Power Supply Current	I_{CC1}	No Load	$f_{CLK} = 0$ Hz	—	2	4	mA
	I_{CC2}		$f_{CLK} = 0.5$ MHz	—	4	6	
Driver Power Supply Current	I_{DISP}	No Load	—	—	5	μA	
High Level Input Threshold Voltage	V_P	All input pins	$V_{CC} = 4.5$ V	2.4	2.75	—	V
			$V_{CC} = 5.5$ V	2.9	3.25	—	V
Low Level Input Threshold Voltage	V_N	All input pins	$V_{CC} = 4.5$ V	—	1.75	2.1	V
			$V_{CC} = 5.5$ V	—	2.25	2.6	V
Hysteresis Voltage	V_H	All input pins	0.3	1	—	V	
High Level Input Current	I_{IH1}	$V_I = V_{CC}$	CHG pin	100	—	600	μA
	I_{IH2}		Input pins except CHG pin	-1	—	1	μA
Low Level Input Current	I_{IL1}	$V_I = 0$ V	CL pin	-600	—	-100	μA
	I_{IL2}		Input pins except CL pin	-1	—	1	μA
High Level Data Output Current	I_{OH1}	$V_{CC} - V_{OH1} = 1.0$ V	-0.1	—	—	mA	
Low Level Data Output Current	I_{OL1}	$V_{OL1} = 1.0$ V	0.1	—	—	mA	
Driver High Level Output Current	I_{OH2}	Only one driver is ON state $V_{DISP} - V_{OH2} = 1.0$ V	-6	—	—	mA	
Driver Low Level Output Current	I_{OL2}	$V_{OL2} = 1.0$ V	0.2	—	—	mA	
Voltage Difference Between GND Pins	V_{GND}	Voltage difference between D-GND and L-GND *1	-0.1	0	0.1	V	

*1 Pin D-GND and Pin L-GND are not connected internally.

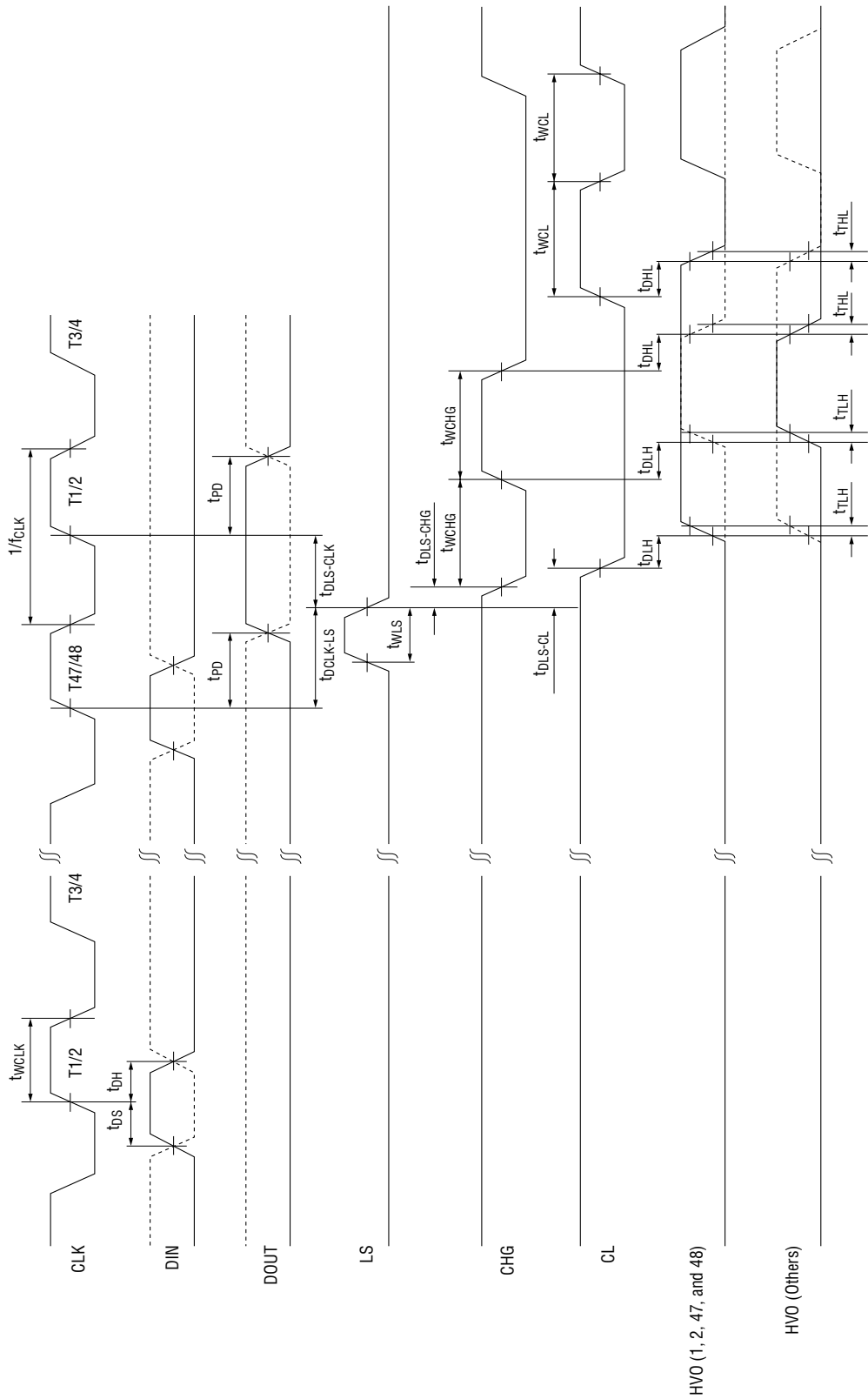
Therefore, set the voltage between D-GND and L-GND at the same level by connecting both pins externally.

AC Characteristics

($V_{CC} = 4.5$ to 5.5 V, $V_{DISP} = 8$ to 18 V, $T_a = -40$ to $+105^\circ\text{C}$)



Parameter	Symbol	Condition	Min.	Typ.	Max.	Unit
CLK-Dout Delay Time	t_{PD}	See Timing Diagram	0.3	—	1.6	μs
Delay Time Low \rightarrow High	t_{DLH}	See Timing Diagram	—	1.0	2.0	μs
Transit Time Low \rightarrow High	t_{TLH}	See Timing Diagram	—	2.0	5.0	μs
Delay Time High \rightarrow Low	t_{DHL}	See Timing Diagram	—	1.0	2.0	μs
Transit Time High \rightarrow Low	t_{THL}	See Timing Diagram	—	2.0	5.0	μs

TIMING DIAGRAM



FUNCTIONAL DESCRIPTION

Function Table

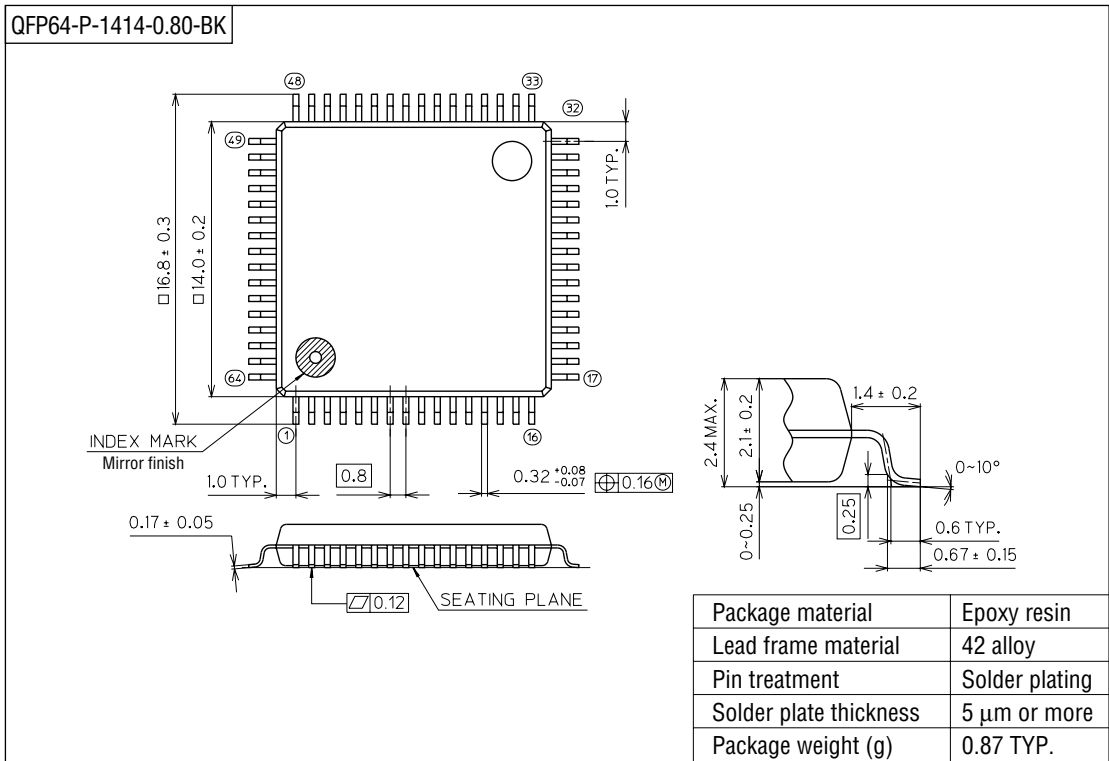
CLOCK	DIN	P01	P02	P03	P04	P046	P047	P048	DOUT
	H	H	P01k	P02k	P03k	P045k	P046k	P047k	P047k
	L	L	P01k	P02k	P03k	P045k	P047k	P047k	P047k

CL	CHG	LS	P0n	HV0n
H	X	X	X	L
L	H	X	X	H
L	L	H	H	H
L	L	H	L	L
L	L	L	X	NC

L: Low Level, H: High Level, X: Don't Care, NC: No Change

PACKAGE DIMENSIONS

(Unit : mm)



Notes for Mounting the Surface Mount Type Package

The SOP, QFP, TSOP, SOJ, QFJ (PLCC), SHP and BGA are surface mount type packages, which are very susceptible to heat in reflow mounting and humidity absorbed in storage. Therefore, before you perform reflow mounting, contact Oki's responsible sales person for the product name, package name, pin number, package code and desired mounting conditions (reflow method, temperature and times).