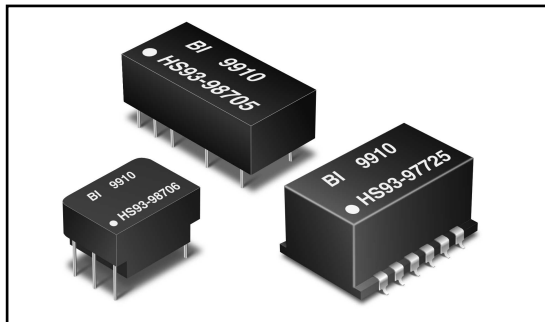


# MODEL HS93 SERIES

## T1/CEPT/ISDN

### Transformers

NEW PRODUCT



#### FEATURES AND BENEFITS

- Available in through-hole and surface mount packages
- Designed for 1.544 Mbp/s (T1), 2.048 Mbps (CEPT) and ISDN primary rate interface (PRI) applications
- Dual package contains both transmit and receive transformers
- 2000 V rms dielectric withstanding voltage
- Models matched to leading tranceiver ICs

#### ELECTRICAL @ 25°C

Part Number	Turns Ratio	OCL mH Min.	L <sub>L</sub> μH Max.	C <sub>ww</sub> pF Max.	Primary	Secondary	Primary Pins
	Primary:Secondary ±3% <sup>(1)</sup>				DCR Ω Max.	DCR Ω Max.	
HS93-98706	1:1:1	1.2	0.5	25	0.70	0.70 & 0.70	5-6
HS93-98705	1:2 ct & 1:1.36	1.2 & 1.2	0.5 & 0.8	35 & 35	0.8 & 0.8	1.2 & 1.0	14-12 & 5-7
HS93-97725	1 ct:2 ct & 1 ct:2 ct	1.2 & 1.2	0.6 & 0.6	35 & 35	0.7 & 0.7	1.2 & 1.2	12-10 & 4-6
HS93-97727 <sup>(1)</sup>	1:2 & 1:2	22 & 22	11 & 11	100 & 100	2.4 & 2.4	4.4 & 4.4	1-4 & 5-8

#### ENVIRONMENTAL

Operating Temperature Range

0°C to +70°C

#### MECHANICAL

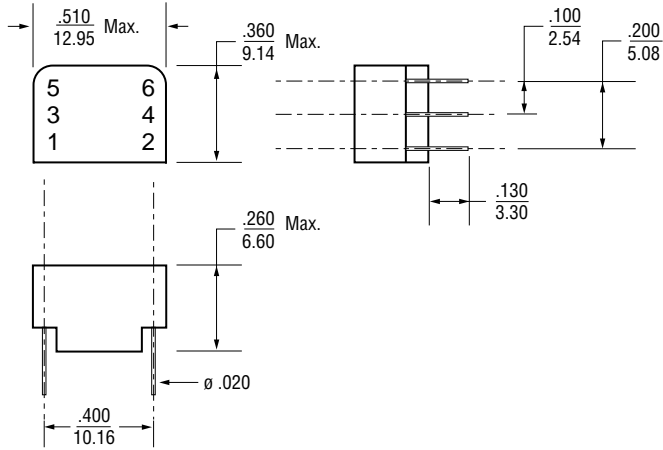
Type	Through Hole	Surface Mount
Lead Plating	60/40 Tin Lead	85/15 Tin Lead
Lead Material	Copper Alloy	Copper Alloy 42
Lead Configuration	N/A	Gull Wing
Lead Coplanarity	N/A	0.004" (0.102mm)
Case Material, UL-94V-0 Rated	Molded Dap	Molded Epoxy

Specifications subject to change without notice.

Note: (1) Turns ratio based on the shorting of pins 2-3, 6-7, 10-11 & 14-15.

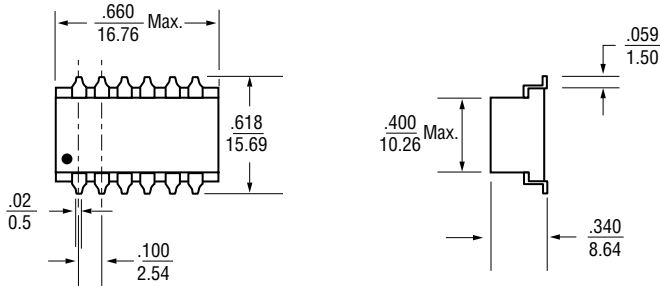
**OUTLINE DIMENSIONS (Inch/mm)**

Model HS93-98706

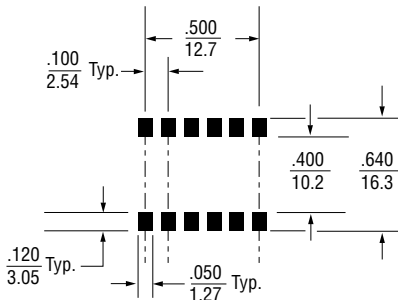


Tolerances unless otherwise specified  $\pm .005"$  (.127mm).

Model HS93-97725



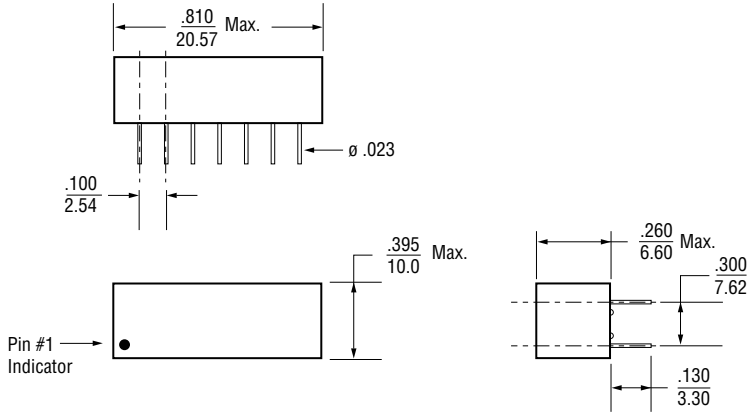
**Recommended Pad Layout**



Tolerances unless otherwise specified  $\pm .005"$  (.127mm).

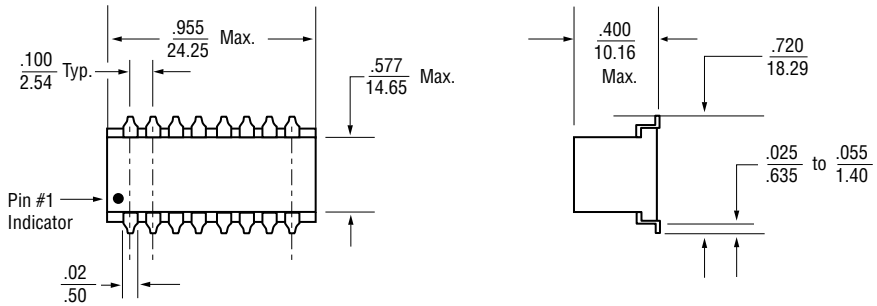
**OUTLINE DIMENSIONS (Inch/mm)**

**Model HS93-98705**

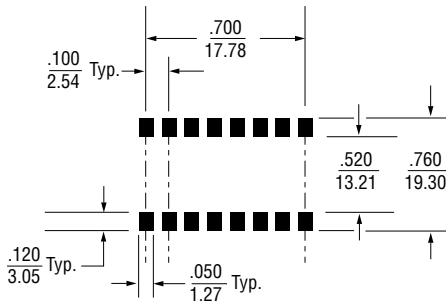


Tolerances unless otherwise specified  $\pm .005"$  (.127mm).

**Model HS93-97727**



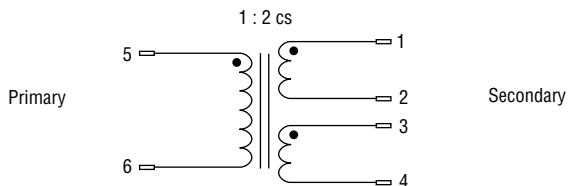
**Recommended PadLayout**



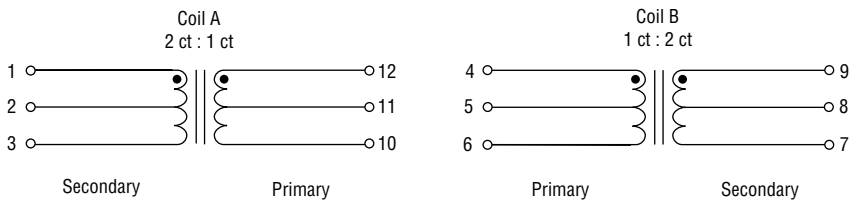
Tolerances unless otherwise specified  $\pm .005"$  (.127mm).

# SCHEMATICS

Model HS93-98706

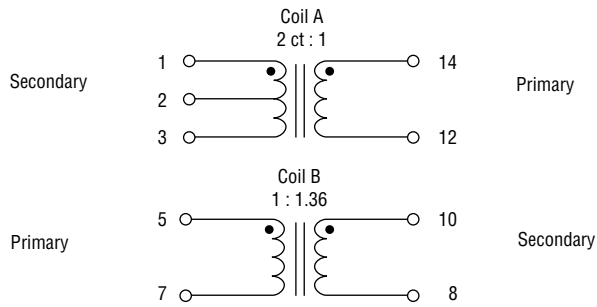


Model HS93-97725

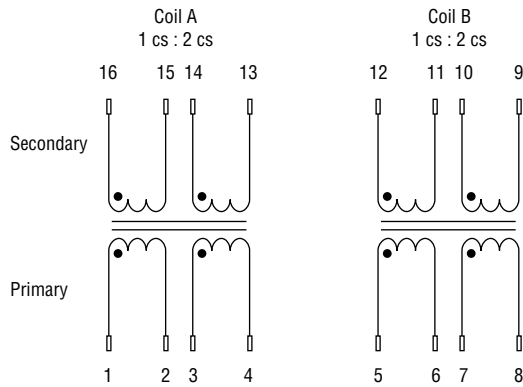


**SCHEMATICS**

**Model HS93-98705**



**Model HS93-97727**



## PACKAGING

**Standard:** Tubes

Magazine	Capacity	HS93-98706	=	55 Units
		HS93-98705	=	24 Units
		HS93-97725	=	28 Units
		HS93-97727	=	20 Units

**Option:** Tape & Reel

Reel	Diameter		=	13"(330mm)
	Capacity	HS93-97725	=	420 Units
		HS93-97727	=	350 Units

## ORDERING INFORMATION

