



SILICON LABORATORIES

Si5013

OC-12/3, STM-4/1 SONET/SDH CDR IC WITH LIMITING AMPLIFIER

Features

High-speed clock and data recovery device with integrated limiting amplifier:

- Supports OC-12/3, STM-4/1
- DSPLL™ technology
- Jitter generation 2.3 mUI_{rms} (typ)
- Small footprint: 5 x 5 mm
- Reference and reference-less operation supported
- Loss-of-signal level alarm
- Data slicing level control
- 10 mV_{PP} differential sensitivity
- 3.3 V supply

Applications

- SONET/SDH/ATM routers
- Add/drop multiplexers
- Digital cross connects
- Board level serial links
- SONET/SDH test equipment
- Optical transceiver modules
- SONET/SDH regenerators

Description

The Si5013 is a fully-integrated, high-performance limiting amplifier (LA) and clock and data recovery (CDR) IC for high-speed serial communication systems. It derives timing information and data from a serial input at OC-12/3 and STM-4/1 rates. Use of an external reference clock is optional. Silicon Laboratories® DSPLL™ technology eliminates sensitive noise entry points, thus making the PLL less susceptible to board-level interaction and helping to ensure optimal jitter performance.

The Si5013 represents a new standard in low jitter, low power, small size, and integration for high-speed LA/CDRs. It operates from a 3.3 V supply over the industrial temperature range (–40 to 85 °C).

Functional Block Diagram

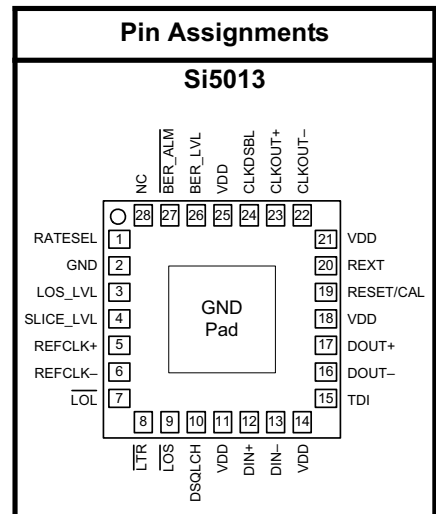
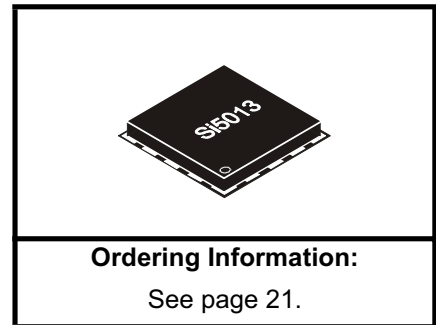
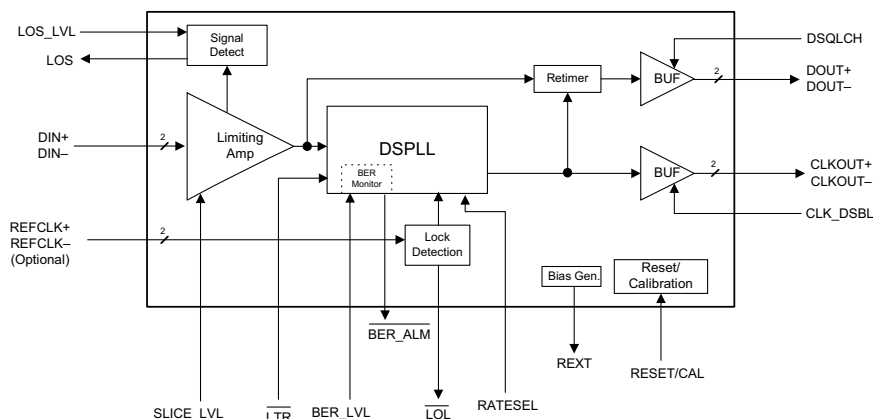


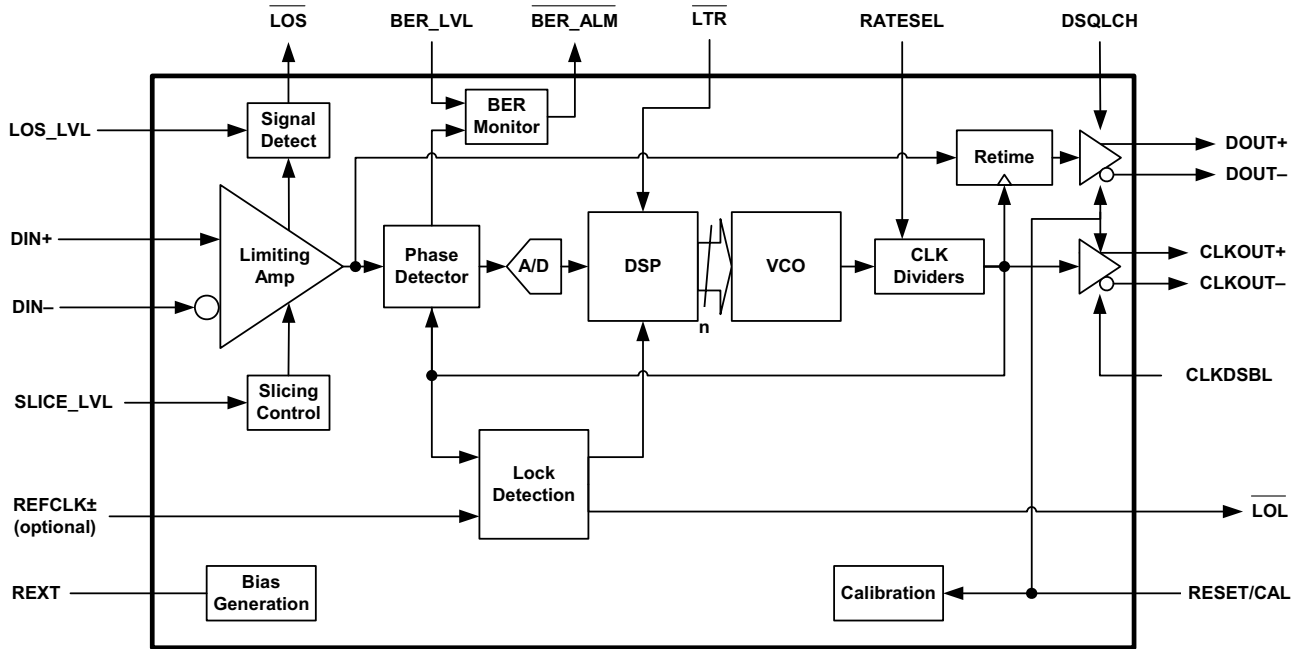
TABLE OF CONTENTS

| <u>Section</u> | <u>Page</u> |
|--|--------------------|
| 1. Detailed Block Diagram | 4 |
| 2. Electrical Specifications | 5 |
| 3. Typical Application Schematic | 11 |
| 4. Functional Description | 12 |
| 4.1. Limiting Amplifier | 12 |
| 4.2. DSPLL™ | 12 |
| 4.3. Multi-Rate Operation | 12 |
| 4.4. Operation Without an External Reference | 12 |
| 4.5. Operation With an External Reference | 12 |
| 4.6. Lock Detect | 13 |
| 4.7. Lock-to-Reference | 13 |
| 4.8. Loss-of-Signal | 13 |
| 4.9. Bit Error Rate (BER) Detection | 14 |
| 4.10. Data Slicing Level | 14 |
| 4.11. PLL Performance | 14 |
| 4.12. RESET/DSPLL Calibration | 15 |
| 4.13. Clock Disable | 15 |
| 4.14. Data Squelch | 15 |
| 4.15. Device Grounding | 15 |
| 4.16. Bias Generation Circuitry | 15 |
| 4.17. Voltage Regulator | 15 |
| 4.18. Differential Input Circuitry | 15 |
| 4.19. Differential Output Circuitry | 17 |
| 5. Pin Descriptions: Si5013 | 18 |
| 6. Ordering Guide | 21 |
| 7. Package Outline | 22 |
| Document Change List | 23 |
| Contact Information | 24 |



Si5013

1. Detailed Block Diagram



2. Electrical Specifications

Table 1. Recommended Operating Conditions

| Parameter | Symbol | Test Condition | Min ¹ | Typ | Max ¹ | Unit |
|------------------------------------|----------|----------------|------------------|-----|------------------|------|
| Ambient Temperature | T_A | | -40 | 25 | 85 | °C |
| Si5013 Supply Voltage ² | V_{DD} | | 3.135 | 3.3 | 3.465 | V |

Notes:

- All minimum and maximum specifications are guaranteed and apply across the recommended operating conditions. Typical values apply at nominal supply voltages and an operating temperature of 25 °C unless otherwise stated.
- The Si5013 specifications are guaranteed when using the recommended application circuit (including component tolerance) of "3. Typical Application Schematic" on page 11.

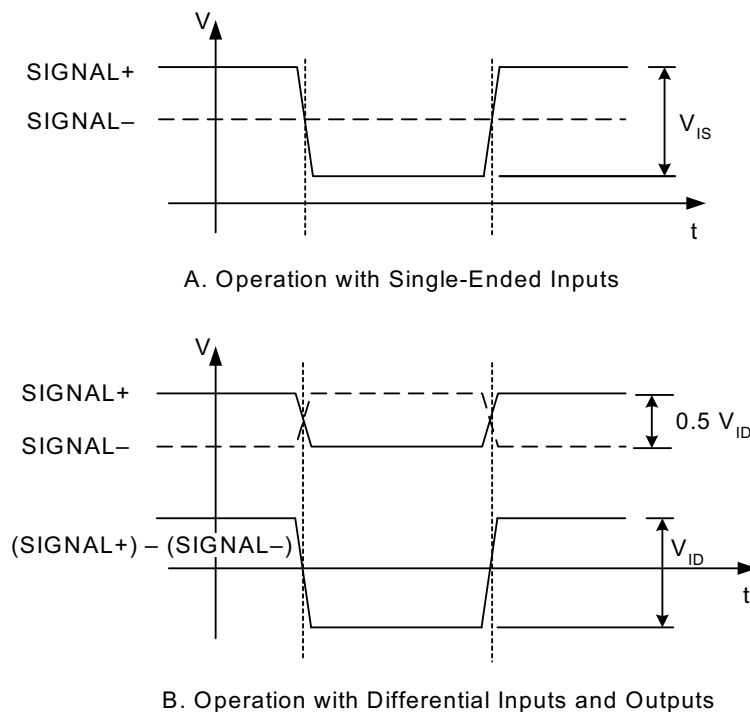


Figure 1. Differential Voltage Measurement (DIN, REFCLK, DOUT, CLKOUT)

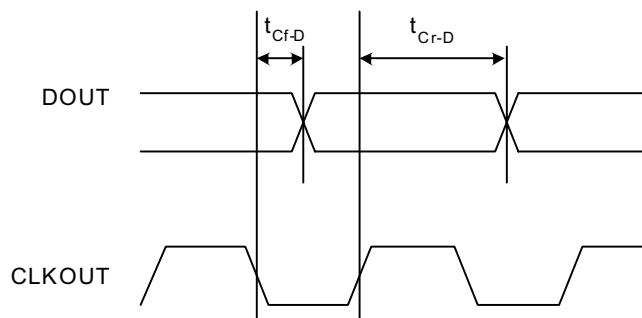


Figure 2. Clock to Data Timing

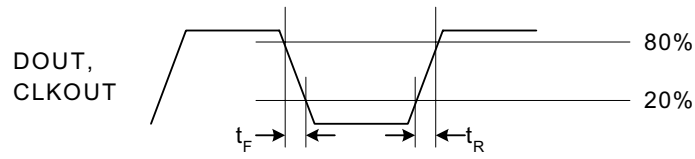


Figure 3. DOUT and CLKOUT Rise/Fall Times

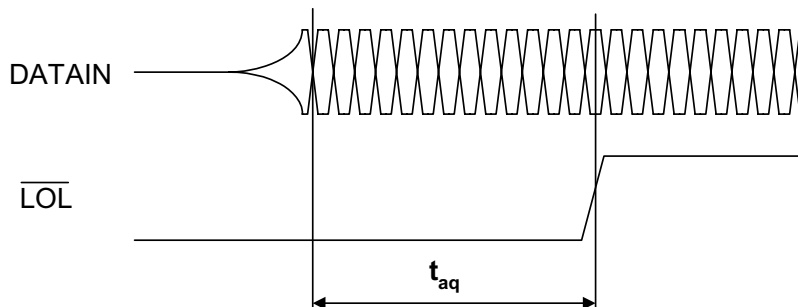
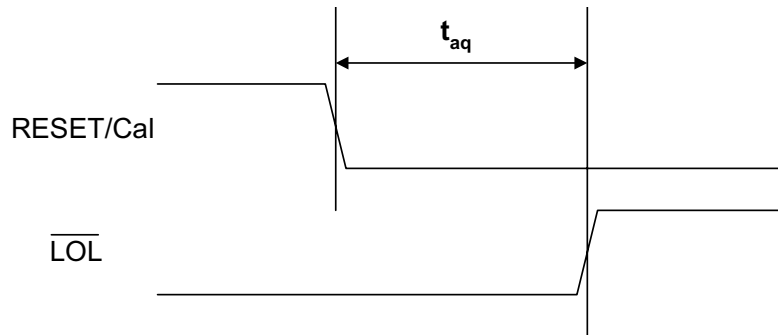


Figure 4. PLL Acquisition Time

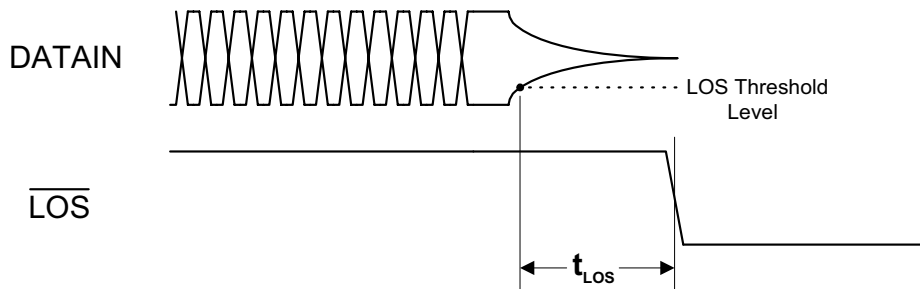


Figure 5. LOS Response

Table 2. DC Characteristics $(V_{DD} = 3.3 \text{ V} \pm 5\%, T_A = -40 \text{ to } 85 \text{ }^\circ\text{C})$

| Parameter | Symbol | Test Condition | Min | Typ | Max | Unit |
|--|-----------|-----------------------------------|------|------|------|------------------|
| Supply Current ¹ | I_{DD} | | | | | |
| OC-12 | | | — | 180 | 190 | mA |
| OC-3 | | | — | 190 | 197 | |
| Power Dissipation | P_D | | | | | |
| OC-12 | | | — | 594 | 657 | mW |
| OC-3 | | | — | 627 | 682 | |
| Common Mode Input Voltage (DIN) ² | V_{ICM} | See Figure 11 | — | 1.50 | — | V |
| Common Mode Input Voltage (REFCLK) ² | V_{ICM} | See Figure 10 | 1.90 | 2.10 | 2.30 | V |
| DIN Single-ended Input Voltage Swing ² | V_{IS} | See Figure 1A | 10 | — | 500 | mV |
| DIN Differential Input Voltage Swing ² | V_{ID} | See Figure 1B | 10 | — | 1000 | mV |
| REFCLK Single-ended Input Voltage Swing ² | V_{IS} | See Figure 1A | 200 | — | 750 | mV |
| REFCLK Differential Input Voltage Swing ² | V_{ID} | See Figure 1B | 200 | — | 1500 | mV |
| Input Impedance (DIN) | R_{IN} | Line-to-Line | 84 | 100 | 116 | Ω |
| Differential Output Voltage Swing (DOUT) | V_{OD} | 100 Ω Load Line-to-Line | 700 | 800 | 1150 | mV _{PP} |
| Differential Output Voltage Swing (CLKOUT) | V_{OD} | 100 Ω Load Line-to-Line | 700 | 800 | 1150 | mV _{PP} |
| Output Common Mode Voltage (DOUT, CLKOUT) | V_{OCM} | 100 Ω Load Line-to-Line | 1.6 | 1.95 | 2.35 | V |
| Output Impedance (DOUT,CLKOUT) | R_{OUT} | Single-ended | 84 | 100 | 116 | Ω |
| Input Voltage Low (LVTTL Inputs) | V_{IL} | | — | — | .8 | V |
| Input Voltage High (LVTTL Inputs) | V_{IH} | | 2.0 | — | — | V |
| Input Low Current (LVTTL Inputs) | I_{IL} | | — | — | 10 | μA |
| Input High Current (LVTTL Inputs) | I_{IH} | | — | — | 10 | μA |
| Input Impedance (LVTTL Inputs) | R_{IN} | | 10 | — | — | k Ω |
| LOS_LVL, BER_LVL, SLICE_LVL Input Impedance | R_{IN} | | 75 | 100 | 125 | k Ω |
| Output Voltage Low (LVTTL Outputs) | V_{OL} | $I_O = 2 \text{ mA}$ | — | — | 0.4 | V |
| Output Voltage High (LVTTL Outputs) | V_{OH} | $I_O = 2 \text{ mA}$ | 2.0 | — | — | V |
| Notes: | | | | | | |
| 1. No Load on LVTTL outputs. | | | | | | |
| 2. These inputs may be driven differentially or single-endedly. When driven single-endedly, the unused input must be ac coupled to ground. | | | | | | |

Si5013

Table 3. AC Characteristics (Clock and Data)

($V_{DD} = 3.3\text{ V} \pm 5\%$, $T_A = -40\text{ to }85\text{ }^\circ\text{C}$)

| Parameter | Symbol | Test Condition | Min | Typ | Max | Unit |
|--|-------------|------------------------------|-------------|-------------|-------------|---------|
| Output Clock Rate | f_{CLK} | Rate Sel = 1 Rate Sel = 0 | 616 154 | — — | 675 158 | MHz |
| Output Rise Time—OC-12 | t_R | Figure 3 | — | 125 | 155 | ps |
| Output Fall Time—OC-12 | t_F | Figure 3 | — | 125 | 155 | ps |
| Output Clock Duty Cycle— OC-12/3 | | | 47 | 50 | 53 | % of UI |
| Clock to Data Delay OC-12 OC-3 | t_{Cr-D} | Figure 2 | 800 4000 | 840 4100 | 900 4200 | ps |
| Clock to Data Delay OC-12 OC-3 | t_{Cf-D} | Figure 2 | 10 800 | 35 850 | 60 1000 | ps |
| Input Return Loss | | 100 kHz–622 MHz | –15 | — | — | dB |
| Slicing Level Offset ¹ (relative to the internally set input common mode voltage) | V_{SLICE} | SLICE_LVL = 750 mV to 2.25 V | –15 | — | 15 | mV |
| Slicing Level Accuracy | | SLICE_LVL = 750 mV to 2.25 V | — | ±5 | — | mV |
| Loss-of-Signal Range ² (peak-to-peak differential) | V_{LOS} | LOS_LVL = 1.50 to 2.50 V | 0 | — | 40 | mV |
| Loss-of-Signal Response Time | t_{LOS} | Figure 5 on page 6 | 8 | 20 | 25 | µs |
| Notes: | | | | | | |
| 1. Adjustment voltage (relative to the internally set input common mode voltage) is calculated as follows: $V_{SLICE} = (SLICE_LVL - 1.50)/50$. | | | | | | |
| 2. Adjustment voltage is calculated as follows: $V_{LOS} = (LOS_LVL - 1.50)/25$. | | | | | | |

Table 4. AC Characteristics (PLL Characteristics)(V_{DD} = 3.3 V ±5%, T_A = -40 to 85 °C)

| Parameter | Symbol | Test Condition | Min | Typ | Max | Unit |
|---|-----------------------|---|------|-------------------------|-----|------------------|
| Jitter Tolerance (OC-12 Mode)* | J _{TOL(PP)} | f = 30 Hz | 60 | — | — | UI _{PP} |
| | | f = 300 Hz | 6 | — | — | UI _{PP} |
| | | f = 25 kHz | 4 | — | — | UI _{PP} |
| | | f = 250 kHz | 0.4 | — | — | UI _{PP} |
| Jitter Tolerance (OC-3 Mode)* | J _{TOL(PP)} | f = 30 Hz | 60 | — | — | UI _{PP} |
| | | f = 300 Hz | 6 | — | — | UI _{PP} |
| | | f = 6.5 kHz | 4 | — | — | UI _{PP} |
| | | f = 65 kHz | 0.4 | — | — | UI _{PP} |
| RMS Jitter Generation* | J _{GEN(rms)} | with no jitter on serial data | — | 2.3 | 4.0 | mUI |
| Peak-to-Peak Jitter Generation* | J _{GEN(PP)} | with no jitter on serial data | — | 20 | 45 | mUI |
| Jitter Transfer Bandwidth* | J _{BW} | OC-12 Mode | — | — | 500 | kHz |
| | | OC-3 Mode | — | — | 130 | kHz |
| Jitter Transfer Peaking* | J _P | | — | 0.03 | 0.1 | dB |
| Acquisition Time—OC-12 (Reference clock applied) | T _{AQ} | After falling edge of PWRDN/CAL | — | 1.5 | 2 | ms |
| | | From the return of valid data | — | 60 | — | μs |
| Acquisition Time—OC-12 (Reference-less operation) | T _{AQ} | After falling edge of PWRDN/CAL | — | 4.0 | 12 | ms |
| | | From the return of valid data | — | 13 | — | ms |
| Reference Clock Range | | See "4.4.Operation With- out an External Refer- ence" on page 12. | | 155.5 77.76 19.44 | | MHz |
| Input Reference Clock Frequency Tolerance | C _{TOL} | | -500 | — | 500 | ppm |
| Frequency Difference at which Receive PLL goes out of Lock (REFCLK compared to the divided down VCO clock) | | | — | ±650 | — | ppm |

*Note: As defined in Bellcore specifications: GR-253-CORE, Issue 3, September 2000. Using PRBS 2²³ - 1 data pattern.

Si5013

Table 5. Absolute Maximum Ratings

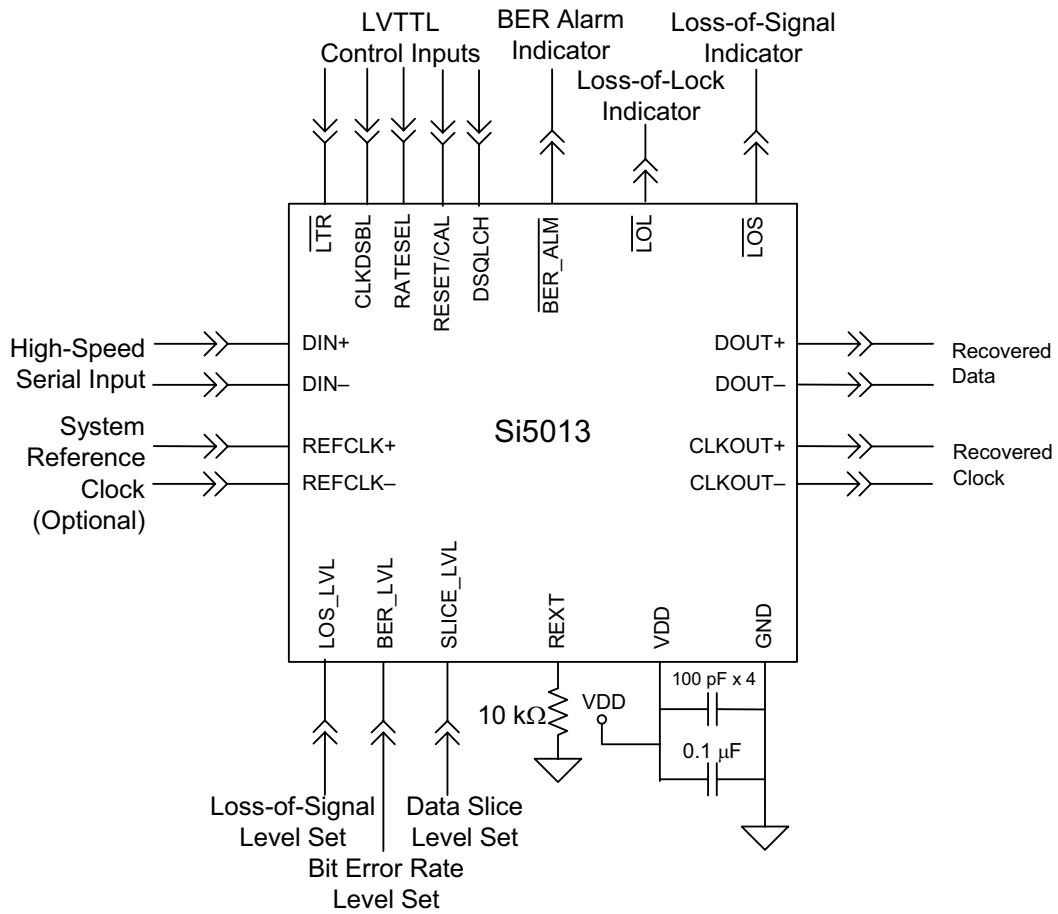
| Parameter | Symbol | Value | Unit |
|---|-----------|----------------------------|-------------|
| DC Supply Voltage | V_{DD} | -0.5 to 3.5 | V |
| LVTTL Input Voltage | V_{DIG} | -0.3 to 3.6 | V |
| Differential Input Voltages | V_{DIF} | -0.3 to ($V_{DD} + 0.3$) | V |
| Maximum Current any output PIN | | ± 50 | mA |
| Operating Junction Temperature | T_{JCT} | -55 to 150 | $^{\circ}C$ |
| Storage Temperature Range | T_{STG} | -55 to 150 | $^{\circ}C$ |
| ESD HBM Tolerance (100 pf, 1.5 k Ω) | | 1 | kV |

Note: Permanent device damage may occur if the above Absolute Maximum Ratings are exceeded. Functional operation should be restricted to the conditions as specified in the operational sections of this data sheet. Exposure to absolute maximum rating conditions for extended periods may affect device reliability.

Table 6. Thermal Characteristics

| Parameter | Symbol | Test Condition | Value | Unit |
|--|-------------|----------------|-------|---------------|
| Thermal Resistance Junction to Ambient | ϕ_{JA} | Still Air | 38 | $^{\circ}C/W$ |

3. Typical Application Schematic



4. Functional Description

The Si5013 integrates a high-speed limiting amplifier with a multi-rate CDR unit. No external reference clock is required for clock and data recovery. The limiting amplifier magnifies very low-level input data signals so that accurate clock and data recovery can be performed. The CDR uses Silicon Laboratories® DSPLL technology to recover a clock synchronous to the input data stream. The recovered clock retimes the incoming data, and both are output synchronously via current-mode logic (CML) drivers. Silicon Laboratories' DSPLL technology ensures superior jitter performance while eliminating the need for external loop filter components found in traditional phase-locked loop (PLL) implementations.

The limiting amplifier includes a control input for adjusting the data slicing level and provides a loss-of-signal level alarm output. The CDR includes a bit error rate performance monitor which signals a high bit error rate condition (associated with excessive incoming jitter) relative to an externally adjustable bit error rate threshold.

The optional reference clock minimizes the CDR acquisition time and provides a stable reference for maintaining the output clock when locking to a reference is desired.

4.1. Limiting Amplifier

The limiting amplifier accepts the low-level signal output from a transimpedance amplifier (TIA). The low-level signal is amplified to a usable level for the CDR unit. The minimum input swing requirement is specified in Table 2 on page 7. Larger input amplitudes (up to the maximum input swing specified in Table 2) are accommodated without degradation of performance. The limiting amplifier ensures optimal data slicing by using a digital dc offset cancellation technique to remove any dc bias introduced by the amplification stage.

4.2. DSPLL™

The Si5013 PLL structure (shown in the "1.Detailed Block Diagram" on page 4) utilizes Silicon Laboratories' DSPLL technology to maintain superior jitter performance while eliminating the need for external loop filter components found in traditional PLL implementations. This is achieved using a digital signal processing (DSP) algorithm to replace the loop filter commonly found in analog PLL designs. This algorithm processes the phase detector error term and generates a digital control value to adjust the frequency of the voltage-controlled oscillator (VCO). This technology enables CDR with far less jitter than is generated using

traditional methods, and it eliminates performance degradation caused by external component aging. In addition, because external loop filter components are not required, sensitive noise entry points are eliminated, thus making the DSPLL less susceptible to board-level noise sources and making SONET/SDH jitter compliance easier to attain in the application.

4.3. Multi-Rate Operation

The Si5013 supports clock and data recovery for OC-12/3 and STM-4/1 data streams.

Multi-rate operation is achieved by configuring the device to divide down the output of the VCO to the desired data rate. The divide factor is configured by the RATESEL pin. The RATESEL configuration and associated data rates are given in Table 7.

Table 7. Multi-Rate Configuration

| RATESEL | SONET/SDH |
|---------|-------------|
| 1 | 622.08 Mbps |
| 0 | 155.52 Mbps |

4.4. Operation Without an External Reference

The Si5013 can perform clock and data recovery without an external reference clock. Tying the REFCLK+ input to VDD and the REFCLK- input to GND configures the device to operate without an external reference clock. Clock recovery is achieved by monitoring the timing quality of the incoming data relative to the VCO frequency. Lock is maintained by continuously monitoring the incoming data timing quality and adjusting the VCO accordingly. Details of the lock detection and the lock-to-reference functions while in this mode are described in their respective sections below.

Note: Without an external reference the acquisition of data is dependent solely on the data itself and typically requires more time to acquire lock than when a reference is applied.

4.5. Operation With an External Reference

The Si5013 can also perform clock and data recovery with an external reference. The device's optional external reference clock centers the DSPLL, minimizes the acquisition time, and maintains a stable output clock (CLKOUT) when lock-to-reference (LTR) is asserted.

When the reference clock is present, the Si5013 uses the reference clock to center the VCO output frequency so that clock and data is recovered from the input data stream. The device self configures for operation with one of three reference clock frequencies. This

eliminates the need to externally configure the device to operate with a particular reference clock. The REFCLK frequency should be 19.44, 77.76, or 155.52 MHz with a frequency accuracy of ± 100 ppm.

4.6. Lock Detect

The Si5013 provides lock-detect circuitry that indicates whether the PLL has achieved frequency lock with the incoming data. The operation of the lock-detector depends on the reference clock option used.

When an external reference clock is provided, the circuit compares the frequency of a divided-down version of the recovered clock with the frequency of the applied reference clock (REFCLK). If the recovered clock frequency deviates from that of the reference clock by the amount specified in Table 4 on page 9, the PLL is declared out of lock, and the loss-of-lock (LOL) pin is asserted. In this state, the PLL will periodically try to reacquire lock with the incoming data stream. During reacquisition, the recovered clock frequency (CLKOUT) drifts over a ± 600 ppm range relative to the applied reference clock and the LOL output alarm may toggle until the PLL has reacquired frequency lock. Due to the low noise and stability of the DSPLL, there is the possibility that the PLL will not drift enough to render an out-of-lock condition, even if the data is removed from inputs.

In applications requiring a more stable output clock during out-of-lock conditions, the lock-to-reference (LTR) input can be used to force the PLL to lock to the externally supplied reference.

In the absence of an external reference, the lock detect circuitry uses a data quality measure to determine when frequency lock has been lost with the incoming data stream. During reacquisition, CLKOUT may vary by approximately $\pm 10\%$ from the nominal data rate.

4.7. Lock-to-Reference

The LTR input can be used to force a stable output clock when an alarm condition, like LOS, exists. In typical applications, the LOS output is tied to the LTR input to force a stable output clock when the input data signal is lost. When LTR is asserted, the DSPLL is prevented from acquiring the data signal present on DIN. The operation of the LTR control input depends on which reference clocking mode is used.

When an external reference clock is present, assertion of LTR forces the DSPLL to lock CLKOUT to the provided reference. If no external reference clock is used, LTR forces the DSPLL to hold the digital frequency control input to the VCO at the last value. This produces a stable output clock as long as supply and temperature are constant.

4.8. Loss-of-Signal

The Si5013 indicates a loss-of-signal condition on the LOS output pin when the input peak-to-peak signal level on DIN falls below an externally controlled threshold. The LOS threshold range is specified in Table 3 on page 8 and is set by applying a voltage on the LOS_LVL pin. The graph in Figure 6 illustrates the LOS_LVL mapping to the LOS threshold. The LOS output is asserted when the input signal drops below the programmed peak-to-peak value. If desired, the LOS function may be disabled by grounding LOS_LVL or by adjusting LOS_LVL to be less than 1 V.

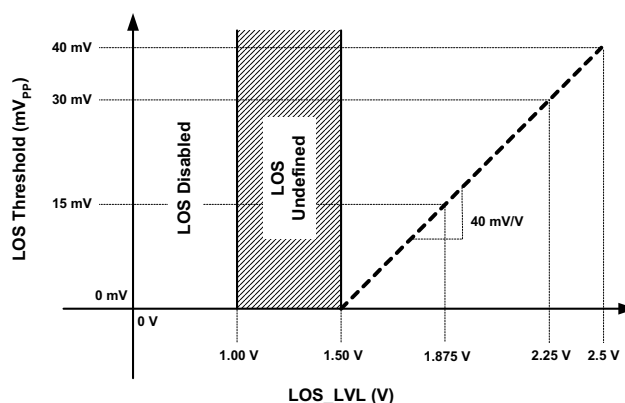


Figure 6. LOS_LVL Mapping

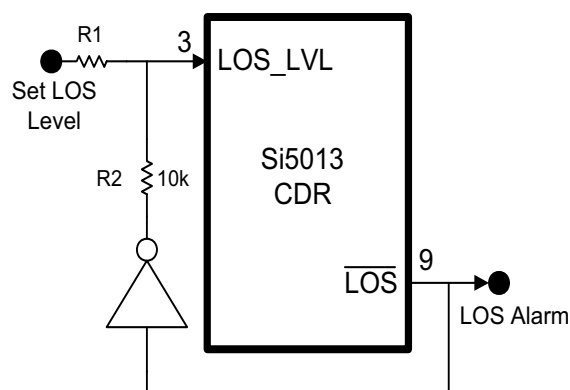


Figure 7. LOS Signal Hysteresis

In many applications it is desirable to produce a fixed amount of signal hysteresis for an alarm indicator such as LOS, since a marginal data input signal could cause intermittent toggling, leading to false alarm status. When it is anticipated that very low-level DIN signals will be encountered, the introduction of an adequate amount of LOS hysteresis is recommended to minimize any undesirable LOS signal toggling. Figure 7 illustrates a simple circuit that may be used to set a fixed level of LOS signal hysteresis for the Si5013 CDR. The value of

Si5013

R1 may be chosen to provide a range of hysteresis from 3 to 8 dB where a nominal value of 800 Ω adjusts the hysteresis level to approximately 6 dB. Use a value of 500 Ω or 1000 Ω for R1 to provide 3 dB or 8 dB of hysteresis, respectively.

Hysteresis is defined as the ratio of the $\overline{\text{LOS}}$ deassert level (LOSD) and the $\overline{\text{LOS}}$ assert level (LOSA). The hysteresis in decibels is calculated as $20\log(\text{LOSD}/\text{LOSA})$.

4.9. Bit Error Rate (BER) Detection

The Si5013 uses a proprietary Silicon Laboratories® algorithm to generate a bit error rate (BER) alarm on the BER_ALM pin if the observed BER is greater than a user programmable threshold. Bit error detection relies on the input data edge timing; edges occurring outside of the expected event window are counted as bit errors. The BER threshold is programmed by applying a voltage to the BER_LVL pin between 500 mV and 2.25 V corresponding to a BER of approximately 10^{-10} and 10^{-6} , respectively. The voltage present on BER_LVL maps to the BER as follows: $\log_{10}(\text{BER}) = (4 \times \text{BER_LVL}) - 13$. (BER_LVL is in volts; BER is in bits per second.)

4.10. Data Slicing Level

The Si5013 provides the ability to externally adjust the slicing level for applications that require bit error rate (BER) optimization. Adjustments in slicing level of ± 15 mV (relative to the internally set input common mode voltage) are supported. The slicing level is set by applying a voltage between 0.75 and 2.25 V to the SLICE_LVL input. The voltage present on SLICE_LVL maps to the slicing level as follows:

$$V_{\text{SLICE}} = \frac{(V_{\text{SLICE_LVL}} - 1.5 \text{ V})}{50}$$

where V_{SLICE} is the slicing level, and $V_{\text{SLICE_LVL}}$ is the voltage applied to the SLICE_LVL pin.

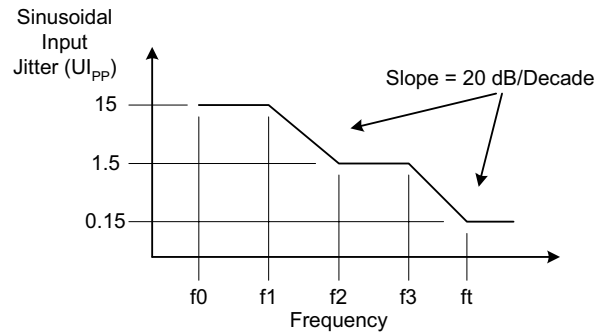
When SLICE_LVL is driven below 500 mV, the slicing level adjustment is disabled, and the slicing level is set to the cross-point of the differential input signal.

4.11. PLL Performance

The PLL implementation used in the Si5013 is fully compliant with the jitter specifications proposed for SONET/SDH equipment by Bellcore GR-253-CORE, Issue 3, September 2000 and ITU-T G.958.

4.11.1. Jitter Tolerance

The Si5013's tolerance to input jitter exceeds that of the Bellcore/ITU mask shown in Figure 8. This mask defines the level of peak-to-peak sinusoid jitter that must be tolerated when applied to the differential data input of the device.

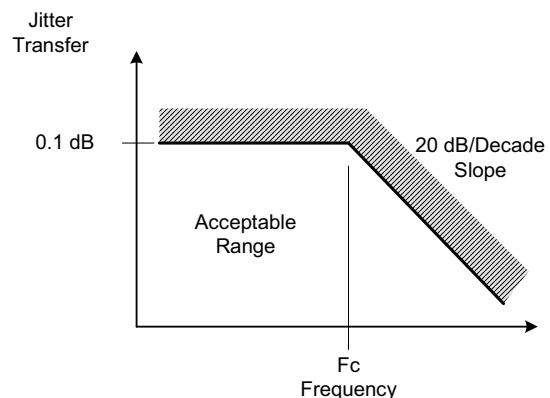


| SONET Data Rate | F0 (Hz) | F1 (Hz) | F2 (kHz) | F3 (kHz) | Ft (kHz) |
|-----------------|---------|---------|----------|----------|----------|
| OC-12 | 10 | 30 | 300 | 25 | 250 |
| OC-3 | 10 | 30 | 300 | 6.5 | 65 |

Figure 8. Jitter Tolerance Specification

4.11.2. Jitter Transfer

The Si5013 exceeds all relevant Bellcore/ITU specifications related to SONET/SDH jitter transfer. Jitter transfer is defined as the ratio of output signal jitter to input signal jitter as a function of jitter frequency. These measurements are made with an input test signal that is degraded with sinusoidal jitter whose magnitude is defined by the mask in Figure 9.



| SONET Data Rate | Fc (kHz) |
|-----------------|----------|
| OC-12 | 500 |
| OC-3 | 130 |

Figure 9. Jitter Transfer Specification

4.11.3. Jitter Generation

The Si5013 exceeds all relevant specifications for jitter generation proposed for SONET/SDH equipment. The jitter generation specification defines the amount of jitter that may be present on the recovered clock and data outputs when a jitter free input signal is provided. The Si5013 typically generates less than $3.0 \text{ mUI}_{\text{rms}}$ of jitter when presented with jitter-free input data.

4.12. RESET/DSPLL Calibration

The Si5013 achieves optimal jitter performance by automatically calibrating the loop gain parameters within the DSPLL on powerup. Calibration may also be initiated by a high-to-low transition on the RESET/CAL pin. The RESET/CAL pin must be held high for at least $1 \mu\text{s}$. When RESET/CAL is released (set to low) the digital logic resets to a known initial condition, recalibrates the DSPLL, and begins to lock to the incoming data stream. For a valid reset to occur when using Reference mode, a proper, external reference clock frequency must be applied.

4.13. Clock Disable

The Si5013 provides a clock disable pin (CLK_DSBL) that is used to disable the recovered clock output (CLKOUT). When the CLK_DSBL pin is asserted, the positive and negative terminals of CLKOUT are tied to VDD through 100Ω on-chip resistors.

4.14. Data Squelch

The Si5013 provides a data squelching pin (DSQLCH) that is used to set the recovered data output (DOUT) to binary zero. When the DSQLCH pin is asserted, the DOUT+ signal is held low and the DOUT- signal is held high. This pin can be used to squelch corrupt data during LOS and LOL situations. Care must be taken when ac coupling these outputs; a long string of zeros or ones will not be held through ac coupling capacitors.

4.15. Device Grounding

The Si5013 uses the GND pad on the bottom of the 28-pin micro leaded package (MLP) for device ground. This pad should be connected directly to the analog supply ground. See Figure 15 on page 18 and Figure 16 on page 22 for the ground (GND) pad location.

4.16. Bias Generation Circuitry

The Si5013 makes use of an external resistor to set internal bias currents. The external resistor allows precise generation of bias currents which significantly reduces power consumption versus traditional implementations that use an internal resistor. The bias generation circuitry requires a $10 \text{ k}\Omega$ (1%) resistor connected between REXT and GND.

4.17. Voltage Regulator

The Si5013 operates from a 3.3 V external supply voltage. Internally the device operates from a 2.5 V supply. The Si5013 regulates 2.5 V internally down from the external 3.3 V supply.

In addition to supporting 3.3 V systems, the on-chip linear regulator offers better power supply noise rejection versus a direct 2.5 V supply.

4.18. Differential Input Circuitry

The Si5013 provides differential inputs for both the high-speed data (DIN) and the reference clock (REFCLK) inputs. An example termination for these inputs is shown in Figures 10 and 11, respectively. In applications where direct dc coupling is possible, the $0.1 \mu\text{F}$ capacitors may be omitted. (LOS operation is only guaranteed when ac coupled.) The data input limiting amplifier requires an input signal with a differential peak-to-peak voltage as specified in Table 2 on page 7 to ensure a BER of at least 10^{-12} . The REFCLK input differential peak-to-peak voltage requirement is also specified in Table 2.

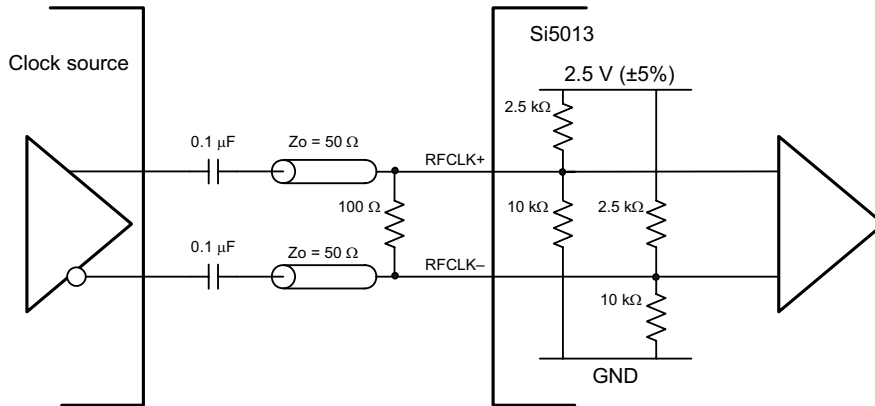


Figure 10. Input Termination for REFCLK (ac coupled)

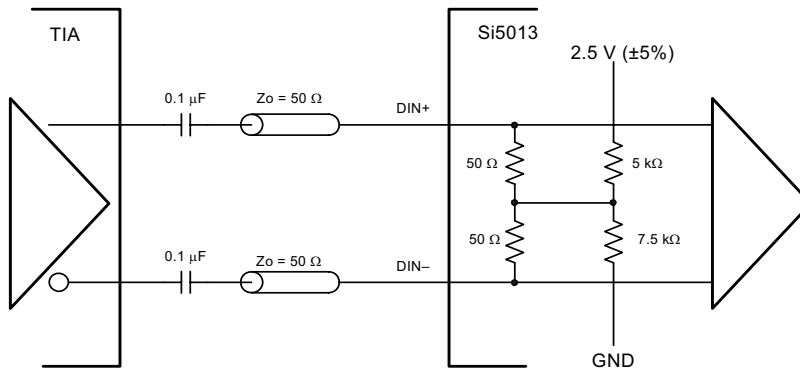


Figure 11. Input Termination for DIN (ac coupled)

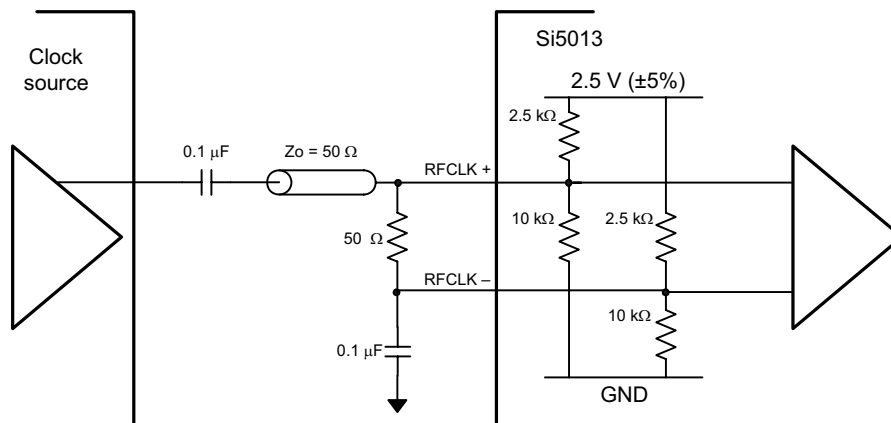


Figure 12. Single-Ended Input Termination for REFCLK (ac coupled)

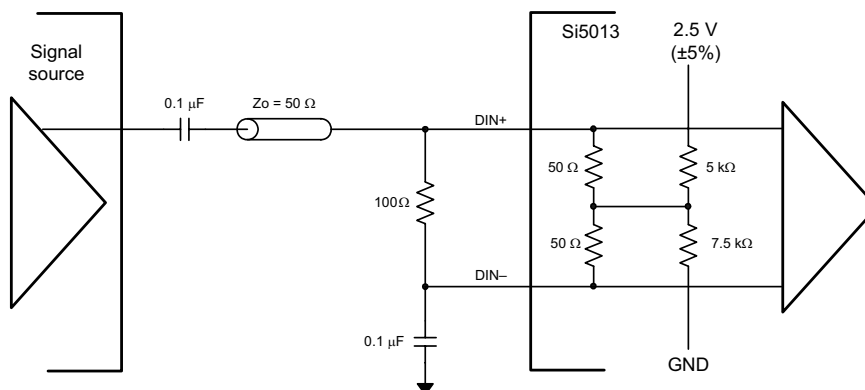


Figure 13. Single-Ended Input Termination for DIN (ac coupled)

4.19. Differential Output Circuitry

The Si5013 utilizes a current-mode logic (CML) architecture to output both the recovered clock (CLKOUT) and data (DOUT). An example of output termination with ac coupling is shown in Figure 14. In applications in which direct dc coupling is possible, the $0.1 \mu\text{F}$ capacitors may be omitted. The differential peak-to-peak voltage swing of the CML architecture is specified in Table 2 on page 7.

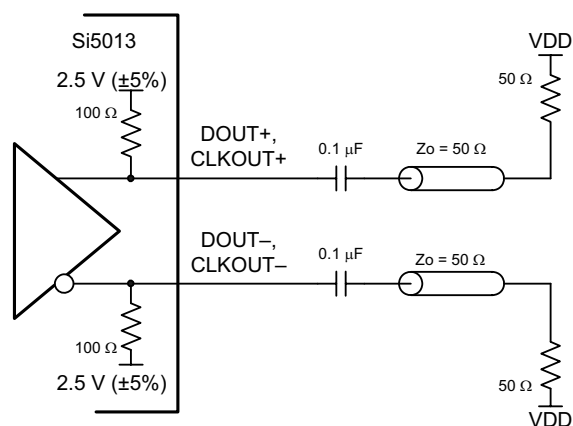


Figure 14. Output Termination for DOUT and CLKOUT (ac coupled)

Si5013

5. Pin Descriptions: Si5013

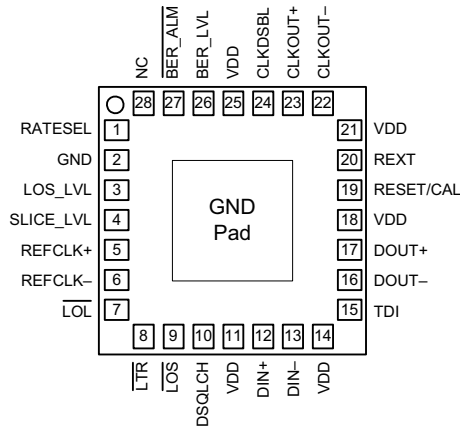


Figure 15. Si5013 Pin Configuration

Table 8. Si5013 Pin Descriptions

| Pin # | Pin Name | I/O | Signal Level | Description |
|--------|--------------------|-----|--------------|---|
| 1 | RATESEL | I | LVTTTL | Data Rate Select. This pin configures the onboard PLL for clock and data recovery at one of two user selectable data rates. See Table 7 for configuration settings. Note: This input has a weak internal pullup. |
| 3 | LOS_LVL | I | | LOS Level Control. The LOS threshold is set by the input voltage level applied to this pin. Figure 6 on page 13 shows the input setting to output threshold mapping. LOS is disabled when the voltage applied is less than 1 V. |
| 4 | SLICE_LVL | I | | Slicing Level Control. The slicing threshold level is set by applying a voltage to this pin as described in the Slicing Level section of the data sheet. If this pin is tied to GND, slicing level adjustment is disabled, and the slicing level is set to the midpoint of the differential input signal on DIN. Slicing level becomes active when the voltage applied to the pin is greater than 500 mV. |
| 5 6 | REFCLK+ REFCLK- | I | See Table 2 | Differential Reference Clock (Optional). When present, the reference clock sets the center operating frequency of the DSPLL for clock and data recovery. Tie REFCLK+ to VDD and REFCLK- to GND to operate without an external reference clock. See Table 7 on page 12 for typical reference clock frequencies. |

Table 8. Si5013 Pin Descriptions (Continued)

| Pin # | Pin Name | I/O | Signal Level | Description |
|----------------|-------------------------|-----|--------------|---|
| 7 | $\overline{\text{LOL}}$ | O | LVTTTL | Loss-of-Lock. This output is driven low when the recovered clock frequency deviates from the reference clock by the amount specified in Table 4 on page 9. If no external reference is supplied, this signal will be active when the internal PLL is no longer locked to the incoming data. |
| 8 | $\overline{\text{LTR}}$ | I | LVTTTL | Lock-to-Reference. When this pin is low, the DSPLL disregards the data inputs. If an external reference is supplied, the output clock locks to the supplied reference. If no external reference is used, the DSPLL locks the control loop until LTR is released. Note: This input has a weak internal pullup. |
| 9 | $\overline{\text{LOS}}$ | O | LVTTTL | Loss-of-Signal. This output pin is driven low when the input signal is below the threshold set via LOS_LVL. (LOS operation is guaranteed only when ac coupling is used on the DIN inputs.) |
| 10 | DSQLCH | | LVTTTL | Data Squelch. When driven high, this pin forces the data present on DOUT+ to zero and DOUT- to one. For normal operation, this pin should be low. DSQLCH may be used during LOS/LOL conditions to prevent random data from being presented to the system. Note: This input has a weak internal pulldown. |
| 11,14,18,21,25 | VDD | | 3.3 V | Supply Voltage. Nominally 3.3 V. |
| 12 13 | DIN+ DIN- | I | See Table 2 | Differential Data Input. Clock and data are recovered from the differential signal present on these pins. AC coupling is recommended. |
| 15 | GND | | GND | Production Test Input. This pin is used during production testing and <i>must</i> be tied to GND for normal operation. |
| 16 17 | DOUT- DOUT+ | O | CML | Differential Data Output. The data output signal is a retimed version of the data recovered from the signal present on DIN. It is phase aligned with CLKOUT and is updated on the rising edge of CLKOUT. |
| 19 | RESET/CAL | I | LVTTTL | Reset/Calibrate. Driving this input high for at least 1 μs will reset internal device circuitry. A high to low transition on this pin will force a DSPLL calibration. For normal operation, drive this pin low. Note: This input has a weak internal pulldown. |



Table 8. Si5013 Pin Descriptions (Continued)

| Pin # | Pin Name | I/O | Signal Level | Description |
|------------|------------------------------|-----|--------------|--|
| 20 | REXT | | | External Bias Resistor. This resistor is used to establish internal bias currents within the device. This pin must be connected to GND through a 10 kΩ (1%) resistor. |
| 22 23 | CLKOUT– CLKOUT+ | O | CML | Differential Clock Output. The output clock is recovered from the data signal present on DIN except when LTR is asserted or the LOL state has been entered. |
| 24 | CLKDSBL | I | LVTTTL | Clock Disable. When this input is high, the CLKOUT output drivers are disabled. For normal operation, this pin should be low. Note: This input has a weak internal pulldown. |
| 26 | BER_LVL | I | | Bit Error Rate Level Control. The BER threshold level is set by applying a voltage to this pin. When the BER exceeds the programmed threshold, $\overline{\text{BER_ALM}}$ is driven low. If this pin is tied to GND, $\overline{\text{BER_ALM}}$ is disabled. There is no hysteresis. |
| 27 | $\overline{\text{BER_ALM}}$ | O | LVTTTL | Bit Error Rate Alarm. This pin will be driven low to indicate that the BER threshold set by BER_LVL has been exceeded. The alarm will clear after the BER rate has improved by approximately a factor of 2. |
| 28 | NC | | | No Connect. Leave this pin disconnected. |
| GND Pad, 2 | GND | | GND | Supply Ground. Nominally 0.0 V. The GND pad found on the bottom of the 28-lead MLP (see Figure 16 on page 22) must be connected directly to supply ground. Minimize the ground path inductance for optimal performance. |

6. Ordering Guide

| Part Number | Package | Voltage | Lead-Free | Temperature |
|-------------|-------------|---------|-----------|--------------|
| Si5013-X-GM | 28-lead MLP | 3.3 | Yes | -40 to 85 °C |

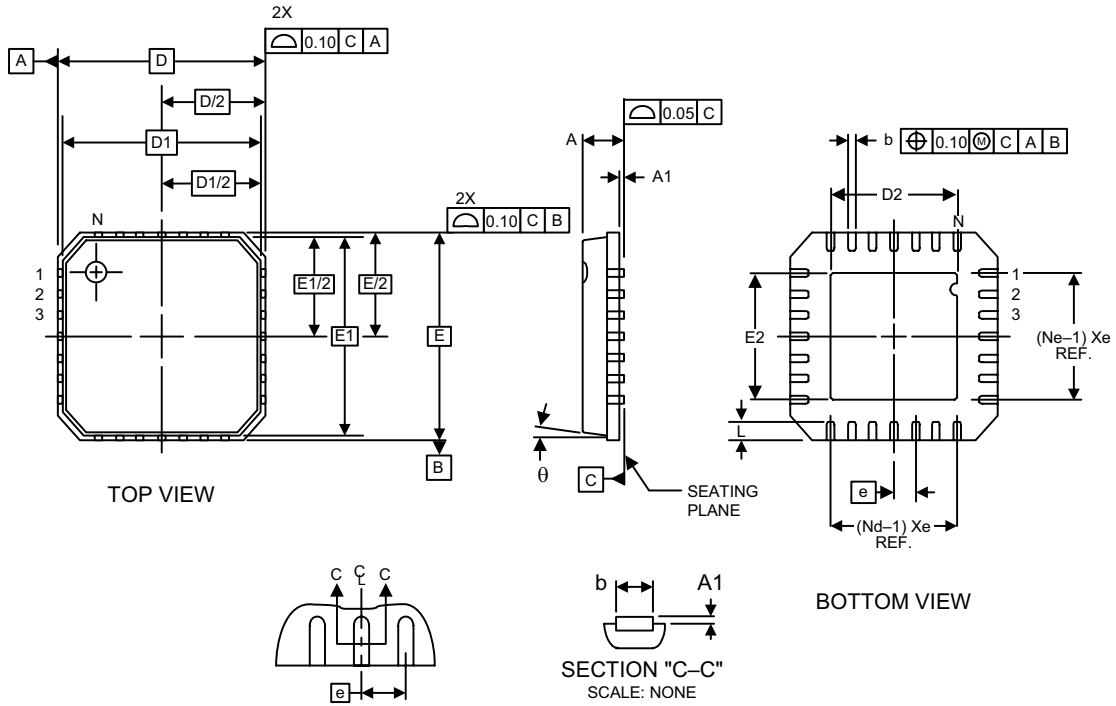
Notes:

1. "X" denotes product revision.
2. Add an "R" at the end of the device to denote tape and reel option; 2500 quantity per reel.

Si5013

7. Package Outline

Figure 16 illustrates the package details for the Si5013. Table 9 lists the values for the dimensions shown in the illustration.



Approximate device weight is 62.2 mg.

Figure 16. 28-Lead Micro Leaded Package (MLP)

Table 9. Package Diagram Dimensions

Controlling Dimension: mm

| Symbol | Millimeters | | |
|----------|-------------|------|------|
| | Min | Nom | Max |
| A | — | 0.85 | 0.90 |
| A1 | 0.00 | 0.01 | 0.05 |
| b | 0.18 | 0.23 | 0.30 |
| D | 5.00 BSC | | |
| D1 | 4.75 BSC | | |
| D2 | 2.95 | 3.10 | 3.25 |
| E | 5.00 BSC | | |
| E1 | 4.75 BSC | | |
| E2 | 2.95 | 3.10 | 3.25 |
| N | 28 | | |
| Nd | 7 | | |
| Ne | 7 | | |
| e | 0.50 BSC | | |
| L | 0.50 | 0.60 | 0.75 |
| θ | | | 12° |

DOCUMENT CHANGE LIST

Revision 0.2 to Revision 1.0

- Added Figure 4, “PLL Acquisition Time,” on page 6.
- Table 2 on page 7
 - Updated values: Supply Current
 - Updated values: Power Dissipation
 - Updated values: Common Mode Input Voltage (REFCLK)
 - Updated values: Output Common Mode Voltage
- Table 3 on page 8
 - Updated values: Output Clock Rise Time
 - Updated values: Output Clock Fall Time
 - Updated values: Clock to Data Delay t_{CF-D}
- Table 4 on page 9
 - Updated values: Jitter Tolerance (OC-12)
 - Updated values: RMS Jitter Generation
 - Updated values: Peak-to-Peak Jitter Generation
 - Updated values: Acquisition Time (reference clock applied)
 - Updated values: Acquisition Time (reference-less operation)
 - Updated values: Freq Difference at which Receive PLL goes out of Lock
 - Updated values: Freq Difference at which Receive PLL goes into Lock
- Removed “Hysteresis Dependency” Figure.
- Added Figure 7, “LOS Signal Hysteresis,” on page 13.
- Corrected error: Table 8 on page 18—changed description for LOS_LVL from “LOS is disabled when the voltage applied is less than 500 mV” to “LOS is disabled when the voltage applied is less than 1.0 V.”

Revision 1.0 to Revision 1.1

- Corrected “Revision 0.2 to Revision 1.0” Change List.
- Table 4 on page 9
 - Updated values: Jitter Tolerance (OC-3)

Revision 1.1 to Revision 1.2

- Added Figure 5, “LOS Response,” on page 6.
- Updated Table 2 on page 7.
 - Added “Output Common Mode Voltage (DOUT)” with updated values.
 - Added “Output Common Mode Voltage (CLKOUT)” with updated values.
- Updated Table 3 on page 8.
 - Added “Output Clock Duty Cycle—OC-12/3.”
 - Added “Loss-of-Signal Response Time” with updated values.
- Updated Table 8 on page 18.
 - Changed “clock input” to “DIN inputs” for Loss Of Signal
- Updated Figure 16, “28-Lead Micro Leaded Package (MLP),” on page 22.
- Updated Table 9, “Package Diagram Dimensions,” on page 22.
 - Changed dimension A.
 - Changed dimension E2.

Revision 1.2 to Revision 1.3

- Updated Figure 16, “28-Lead Micro Leaded Package (MLP),” on page 22.
- Updated Table 9, “Package Diagram Dimensions,” on page 22.

Revision 1.3 to Revision 1.4

- Updated “Features” on page 1.
- Table 2 on page 7.
 - Updated supply current values.
 - Updated power dissipation values.
 - Updated differential output voltage swing (DOUT and CLKOUT).
- Table 3 on page 8.
 - Added output clock rate values.
 - Updated duty cycle values.
 - Updated slice accuracy values.
- Table 4 on page 9.
 - Updated jitter tolerance values (OC-12 mode).
 - Updated acquisition time values.
 - Updated reference clocks range.
 - Updated reference clocks tolerance.
- “3. Typical Application Schematic” on page 11.
 - Added 1% to Rext.
- “4.11. PLL Performance” on page 14.
 - Removed OC-24 note.
- Table 8 on page 18.
 - Added no-hysteresis text to BER_LVL.
- Updated “6. Ordering Guide” on page 21.
 - Added “X” to part number.

Si5013

CONTACT INFORMATION

Silicon Laboratories Inc.

4635 Boston Lane

Austin, TX 78735

Tel: 1+(512) 416-8500

Fax: 1+(512) 416-9669

Toll Free: 1+(877) 444-3032

Email: HighSpeed@silabs.com

Internet: www.silabs.com

The information in this document is believed to be accurate in all respects at the time of publication but is subject to change without notice. Silicon Laboratories assumes no responsibility for errors and omissions, and disclaims responsibility for any consequences resulting from the use of information included herein. Additionally, Silicon Laboratories assumes no responsibility for the functioning of undescribed features or parameters. Silicon Laboratories reserves the right to make changes without further notice. Silicon Laboratories makes no warranty, representation or guarantee regarding the suitability of its products for any particular purpose, nor does Silicon Laboratories assume any liability arising out of the application or use of any product or circuit, and specifically disclaims any and all liability, including without limitation consequential or incidental damages. Silicon Laboratories products are not designed, intended, or authorized for use in applications intended to support or sustain life, or for any other application in which the failure of the Silicon Laboratories product could create a situation where personal injury or death may occur. Should Buyer purchase or use Silicon Laboratories products for any such unintended or unauthorized application, Buyer shall indemnify and hold Silicon Laboratories harmless against all claims and damages.

Silicon Laboratories, Silicon Labs, and DSPLL are trademarks of Silicon Laboratories Inc.

Other products or brandnames mentioned herein are trademarks or registered trademarks of their respective holders.